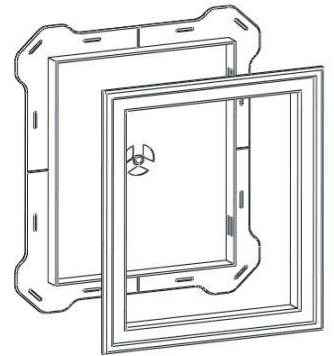


LARGE RECESSED MOUNT

The Large Recessed Mount is used for low profile applications. The exclusive lock on trim ring speeds installation on any surface: wood, vinyl, aluminum, stucco or hardwood.



FEATURES:

- Mounts flush on exterior surface
- Easy to install on all types of exteriors
- Single unit body construction of Mount and Ring
- J-Channel eliminated
- Finish trim ring adjusts for a range of siding thickness
- Center point for drilling custom sized holes
- Paintable version available

SPECIFICATIONS:

- Material: Base: UV stabilized copolymer; color molded in; .080" nominal wall
Ring: UV stabilized copolymer; color molded in; .080" nominal wall
- Fabrication: Two piece molded assembly
Trim ring single piece molded unit
- Attachment: Screw or nail directly to any surface.
- Packaging: 5 pack & 10 pack
- Dimensions: See drawing below (all dimensions in inches)
- Patent No:
- Can. Patent:

