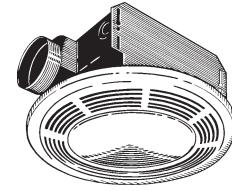


VENTILATION FAN WITH LIGHT



READ AND SAVE THESE INSTRUCTIONS

WARNING

TO REDUCE THE RISK OF FIRE, ELECTRIC SHOCK, OR INJURY TO PERSONS, OBSERVE THE FOLLOWING:

1. Use this unit only in the manner intended by the manufacturer. If you have questions, contact the manufacturer at the address or telephone number listed in the warranty.
2. Before servicing or cleaning unit, switch power off at service panel and lock the service disconnecting means to prevent power from being switched on accidentally. When the service disconnecting means cannot be locked, securely fasten a prominent warning device, such as a tag, to the service panel.
3. Installation work and electrical wiring must be done by a qualified person(s) in accordance with all applicable codes and standards, including fire-rated construction codes and standards.
4. Sufficient air is needed for proper combustion and exhausting of gases through the flue (chimney) of fuel burning equipment to prevent backdrafting. Follow the heating equipment manufacturer's guideline and safety standards such as those published by the National Fire Protection Association (NFPA), and the American Society for Heating, Refrigeration and Air Conditioning Engineers (ASHRAE), and the local code authorities.
5. When cutting or drilling into wall or ceiling, do not damage electrical wiring and other hidden utilities.
6. Ducted fans must always be vented to the outdoors.
7. If this unit is to be installed over a tub or shower, it must be marked as appropriate for the application and be connected to a GFCI (Ground Fault Circuit Interrupter) - protected branch circuit.
8. Never place a switch where it can be reached from a tub or shower.
9. To reduce the risk of electrical shock, do not use this fan with any solid-state speed control.
10. Not for use in kitchens.
11. Do not install in a ceiling insulated to a value greater than R-40.
12. This unit must be grounded.

CAUTION

1. For general ventilating use only. Do not use to exhaust hazardous or explosive materials and vapors.
2. To avoid motor bearing damage and noisy and/or unbalanced impellers, keep drywall spray, construction dust, etc. off power unit.
3. Please read specification label on product for further information and requirements.

FOR BEST RESULTS

When installing the Exhaust Fan/Light in a new construction site, install housing during the rough-in construction of the building. The blower unit, reflector and grille should be installed after the finished ceiling is in place.

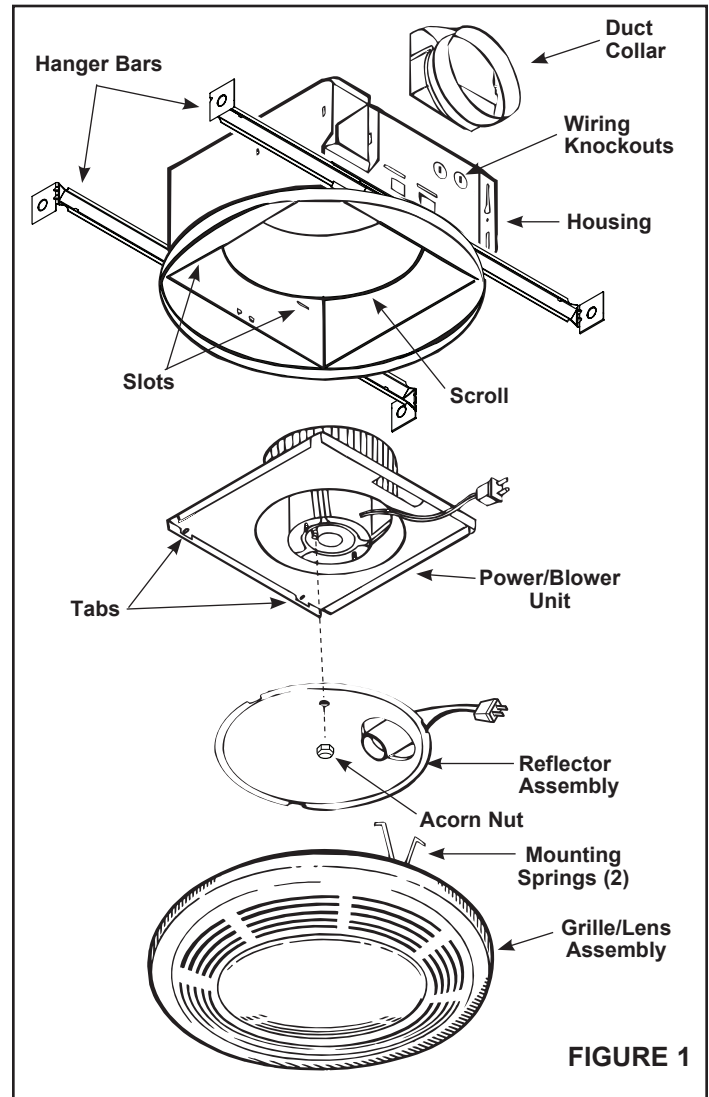


FIGURE 1

PLANNING DUCTWORK AND WIRING

DUCTWORK

1. Use 4" round duct.
2. Plan duct run from discharge opening of fan to the outside. For best fan performance, make duct run as short as possible and use minimum number of elbows.
3. Use optional Broan ducting accessories as needed.

WIRING

Plan to run 120 VAC house wiring (with ground) from power source, through wall switch, to junction box in housing. For separate control of fan and light use an optional Broan switch.

IMPORTANT: Use wire suitable for 90°C.

INSTALLATION IN A NEW CONSTRUCTION SITE

PREPARATION

1. Refer to Figure 1. Remove power unit/blower assembly from housing.
- A. Unplug power unit.
- B. Remove screw (located next to plug-in receptacle) which holds power/blower unit mounting plate in place. Save screw.
- C. Lift mounting plate at end near the plug-in receptacle until blower wheel clears the scroll.
- D. Remove plate by pulling its tabs out of slots in housing. Set power/blower unit aside until needed.

MOUNTING THE HOUSING

MOUNTING USING MOUNTING TABS

Refer to Figure 2.

1. Locate fan housing next to ceiling joist.
2. Use wood screws (not provided) to loosely attach housing to ceiling joist through the keyhole slots in mounting tabs.
3. Adjust housing so that it will be flush with finished ceiling. For the grille to fit properly, the housing's rim must not extend beyond finished ceiling surface.
4. When housing is properly adjusted, tighten screws in slots.

MOUNTING USING HANGER BARS

Refer to Figure 3.

1. Insert hanger bars in slots provided in housing.
2. Locate fan housing between joists so that the bottom of the housing is even with the planned finished ceiling. Extend the hanger bars to the joists.
3. Use screws or nails (not provided) to secure hanger bars to ceiling joists.

INSTALLING DUCTWORK

1. Refer to Figure 2. Place duct collar over flanges at discharge opening of fan. Secure collar by snapping tabs into slots in flanges.
2. Run 4" round duct from fan's discharge opening to the outside and terminate.
3. Connect duct to fan's duct collar.

WIRING

All wiring must comply with local codes and unit must be properly grounded.

1. Run 120vAC house wiring (with ground) from wall switches to fan location.
2. Insert and secure an approved box connector into wiring entrance hole.
3. Pull wires through box connector and into junction box. Tighten box connector.
4. Refer to Figure 4. Connect white wires from the fan and light receptacles to white (neutral) wire from the supply. Connect black wire from fan receptacle (black) to wire from fan switch. Connect blue wire from light receptacle (white) to wire from light switch.
5. Connect the green (or bare) ground wire to the green ground lead.

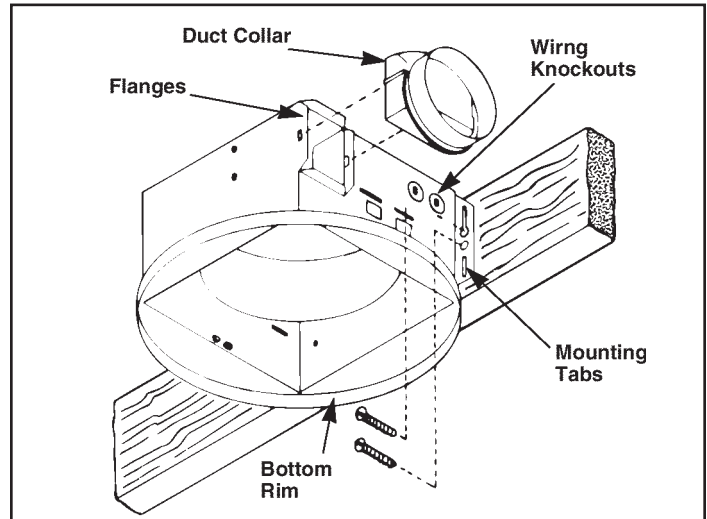


FIGURE 2

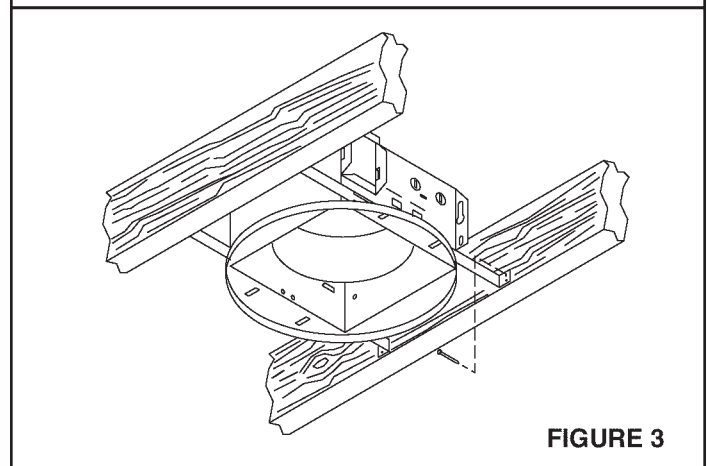


FIGURE 3

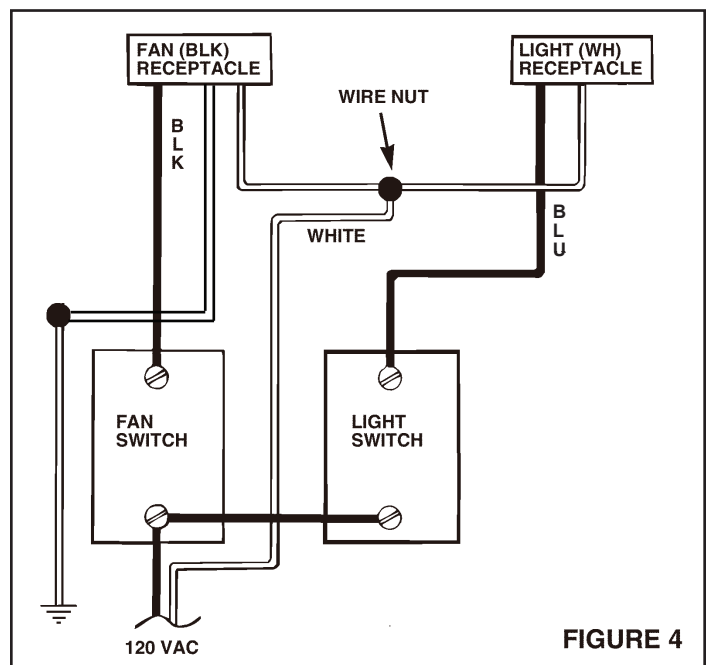


FIGURE 4

POWER/BLOWER UNIT INSTALLATION

1. Refer to Figure 1. Place power/blower unit into housing so that mounting plate's tabs insert into slots in housing.
2. Press other end of mounting plate down until it is firmly seated over scroll and plug-in receptacles.
3. Secure mounting plate to housing with provided screw.
4. Insert motor plug into junction box receptacle.

COMPLETING INSTALLATION

1. Insert lamp plug into junction box receptacle and secure reflector assembly to motor frame with wing nut provided.
2. Insert lamp (100 watt maximum) into the socket.
NOTE: Lamp must be purchased separately.
3. Insert the grille assembly's mounting springs into the slots on both sides of the housing by squeezing the springs together.
4. Press grille assembly firmly into place against the ceiling.

INSTALLATION IN EXISTING CONSTRUCTION

PLANNING

Review "INSTALLATION IN A NEW CONSTRUCTION SITE" and follow all instructions which apply to your installation.

LOCATION: Locate fan between ceiling joists.

WIRING AND DUCTING: Plan ducting and wiring BEFORE proceeding with installation. Refer to Figures 4 and 5 for wiring and Figure 3 for ducting.

CAUTION: Check area above planned location to be sure that:

1. Ducting can be installed or that area is sufficient for proper venting.
2. Wiring can be run to the planned location.
3. No wiring or other obstruction might interfere with installation.

INSTALLATION

1. The fan must be mounted between ceiling joists. Decide where you want to locate the fan, and then determine where the nearest joists are.
2. Locate the joists. Drill a starter hole in the ceiling between the joists.
3. To exactly locate the edge of joist, saw a line from hole to joist.
4. Refer to page 1. Remove power/blower unit from housing.
5. Use the housing pan as a template to mark cutout: place pan centered between joist and trace around pan.
6. Make cutout along outside of marked line.
7. Refer to Figure 6. Install 2 x 4 cleats to both ceiling joists. In some cases it may be necessary to use more than a single cleat on one side. The distance between cleats must be at least 9 1/8" but not more than 10".
8. Remove side wiring knockout and insert and secure an approved box connector into the wiring entrance hole.
9. Use pliers to bend both mounting tabs as flush as possible to the side of the housing.
10. Install duct collar.
11. String wiring through box connector and connect 4" flexible duct to duct collar.
12. Carefully push ductwork and wiring back into cutout. Place housing into cutout.
13. Use wood screws to secure housing to cleats through four holes in housing's pan. make sure pan is flush to finished ceiling.
14. Install Power/Blower Unit and complete installation.

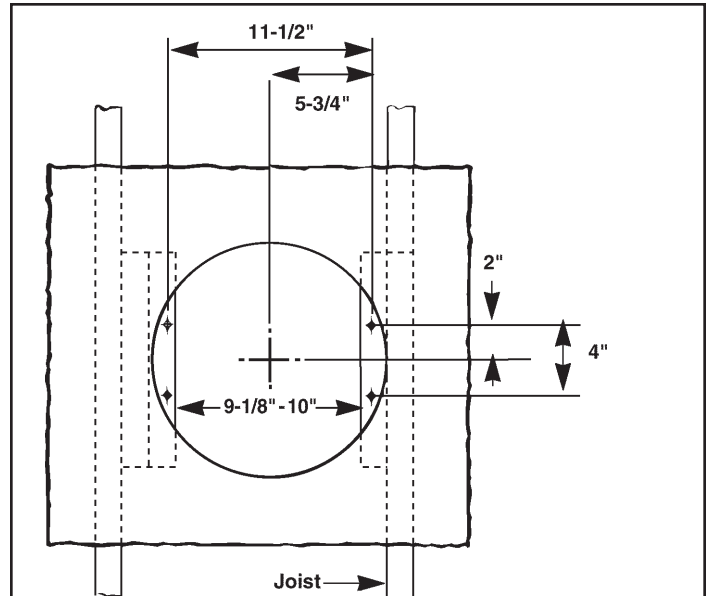


FIGURE 6

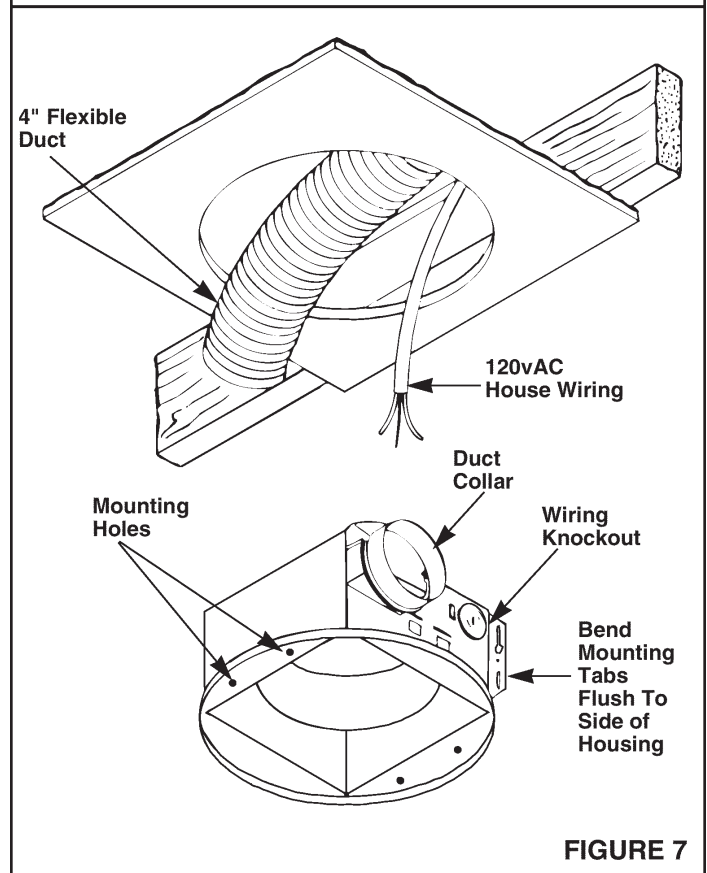


FIGURE 7

USE AND CARE

WARNING: DISCONNECT ELECTRICAL POWER SUPPLY AND LOCK OUT SERVICE PANEL BEFORE RELAMPING, CLEANING, OR SERVICING THIS UNIT.

RELAMPING

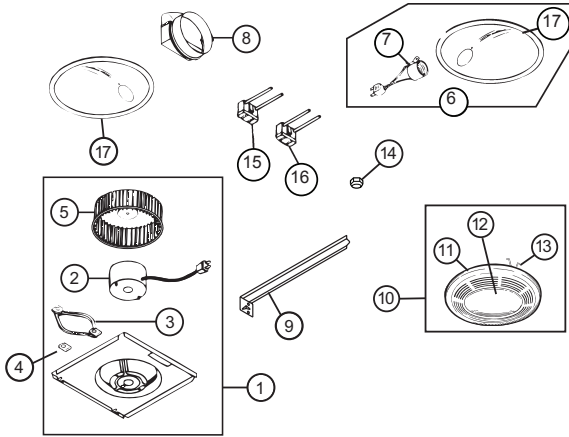
Pull grille assembly away from ceiling.

Squeeze the grille assembly's mounting springs together, and remove grille assembly from housing to expose socket for relamping.

Insert lamp (100 watt maximum) into the socket. **NOTE:** Lamp must be purchased separately.

Replace grille assembly flat against the ceiling after relamping.

SERVICE PARTS



| KEY | PART NO. | DESCRIPTION |
|-----|------------|------------------------|
| 1 | 97017704 | Power Unit Assembly |
| 2 | 100599-000 | Motor |
| 3 | 32787-000 | Motor Isolation Mount |
| 4 | 32788-000 | Ground Clip |
| 5 | 100603-000 | Blower Wheel |
| 6 | 86000-000 | Reflector Assembly |
| 7 | 85979-000 | Lamp Socket |
| 8 | 30652-000 | Duct Adapter Assembly |
| 9 | 44388-000 | Hanger Bar |
| 10 | 97017702 | Grille Assembly |
| 11 | 99111406 | Grille |
| 12 | 61753-000 | Lens |
| 13 | 57000-000 | Grille Spring (2 req.) |
| 14 | 99260575 | Acorn Nut |
| 15 | 99270981 | Light Receptacle |
| 16 | 99271252 | Fan Receptacle |
| 17 | 101049-000 | Reflector |

* Not shown assembled.
Order replacement parts by "PART NO." - not by "KEY NO."

USE AND CARE

CLEANING

Pull grille assembly away from ceiling.

Squeeze the grille assembly's mounting springs together, and remove grille assembly from housing for cleaning.

Clean grille and lens assembly using a mild soap and water solution. Assemblies with wood frames should not be immersed.

Replace grille assembly flat against the ceiling after cleaning.

MOTOR LUBRICATION

The motor is permanently lubricated. Do not oil or disassemble motor.

Limited Warranty

Warranty Period and Exclusions: Broan-NuTone LLC (the "Company") warrants to the original consumer purchaser of its product ("you") that the product (the "Product") will be free from material defects in the Product or its workmanship for a period of one (1) year from the date of original purchase.

The limited warranty period for any replacement parts provided by the Company and for any Products repaired or replaced under this limited warranty shall be the remainder of the original warranty period.

This warranty does not cover speed controls, fluorescent lamp starters, tubes, halogen and incandescent bulbs, fuses, filters, ducts, roof caps, wall caps and other accessories for ducting that may be purchased separately and installed with the Product. This warranty also does not cover (a) normal maintenance and service, (b) normal wear and tear, (c) any Products or parts which have been subject to misuse, abuse, abnormal usage, negligence, accident, improper or insufficient maintenance, storage or repair (other than repair by the Company), (d) damage caused by faulty installation, or installation or use contrary to recommendations or instructions, (e) any Product that has been moved from its original point of installation, (f) damage caused by environmental or natural elements, (g) damage in transit, (h) natural wear of finish, (i) Products in commercial or nonresidential use, or (j) damage caused by fire, flood or other act of God. This warranty covers only Products sold to original consumers in the United States by the Company or U.S. distributors authorized by the Company.

This warranty supersedes all prior warranties and is not transferable from the original consumer purchaser.

No Other Warranties: This Limited Warranty contains the Company's sole obligation and your sole remedy for defective products. The foregoing warranties are exclusive and in lieu of any other warranties, express or implied. **THE COMPANY DISCLAIMS AND EXCLUDES ALL OTHER EXPRESS WARRANTIES, AND DISCLAIMS AND EXCLUDES ALL WARRANTIES IMPLIED BY LAW, INCLUDING WITHOUT LIMITATION THOSE OF MERCHANTABILITY AND FITNESS FOR A PARTICULAR PURPOSE.** To the extent that applicable law prohibits the exclusion of implied warranties, the duration of any applicable implied warranty is limited to the period specified for the express warranty above. Some states do not allow limitations on how long an implied warranty lasts, so the above limitation may not apply to you. Any oral or written description of the Product is for the sole purpose of identifying it and shall not be construed as an express warranty.

Whenever possible, each provision of this Limited Warranty shall be interpreted in such manner as to be effective and valid under applicable law, but if any provision is held to be prohibited or invalid, such provision shall be ineffective only to the extent of such prohibition or invalidity, without invalidating the remainder of such provision or the other remaining provisions of the Limited Warranty.

Remedy: During the applicable limited warranty period, the Company will, at its option, provide replacement parts for, or repair or replace, without charge, any Product or part thereof, to the extent the Company finds it to be covered by and in breach of this limited warranty under normal use and service. The Company will ship the repaired or replaced Product or replacement parts to you at no charge. You are responsible for all costs for removal, reinstallation and shipping, insurance or other freight charges incurred in the shipment of the Product or part to the Company. If you must send the Product or part to the Company, as instructed by the Company, you must properly pack the Product or part—the Company is not responsible for damage in transit. The Company reserves the right to utilize reconditioned, refurbished, repaired or remanufactured Products or parts in the warranty repair or replacement process. Such Products and parts will be comparable in function and performance to an original Product or part and warranted for the remainder of the original warranty period.

Exclusion of Damages: **THE COMPANY'S OBLIGATION TO PROVIDE REPLACEMENT PARTS, OR REPAIR OR REPLACE, AT THE COMPANY'S OPTION, SHALL BE YOUR SOLE AND EXCLUSIVE REMEDY UNDER THIS LIMITED WARRANTY AND THE COMPANY'S SOLE AND EXCLUSIVE OBLIGATION. THE COMPANY SHALL NOT BE LIABLE FOR INCIDENTAL, INDIRECT, CONSEQUENTIAL OR SPECIAL DAMAGES ARISING OUT OF OR IN CONNECTION WITH THE PRODUCT, ITS USE OR PERFORMANCE.**

Some states do not allow the exclusion or limitation of incidental or consequential damages, so the above limitation or exclusion may not apply to you. This warranty gives you specific legal rights, and you may also have other rights, which vary from state to state.

This warranty covers only replacement or repair of defective Products or parts thereof at the Company's main facility and does not include the cost of field service travel and living expenses.

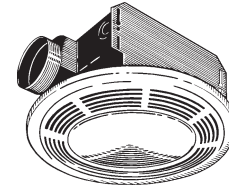
Any assistance the Company provides to or procures for you outside the terms, limitations or exclusions of this limited warranty will not constitute a waiver of such terms, limitations or exclusions, nor will such assistance extend or revive the warranty.

The Company will not reimburse you for any expenses incurred by you in repairing or replacing any defective Product, except for those incurred with the Company's prior written permission.

How to Obtain Warranty Service: To qualify for warranty service, you must (a) notify the Company at the address or telephone number stated below within seven (7) days of discovering the covered defect, (b) give the model number and part identification and (c) describe the nature of any defect in the Product or part. At the time of requesting warranty service, you must present evidence of the original purchase date. If you cannot provide a copy of the original written limited warranty, then the terms of the Company's most current written limited warranty for your particular product will control. The most current limited written warranties for the Company's products can be found at www.broan.com.

Broan 926 West State Street, Hartford, WI 53027 www.broan.com 800-637-1453

VENTILADOR DE VENTILACIÓN CON LUZ



LEA Y CONSERVE ESTAS INSTRUCCIONES

ADVERTENCIA

PARA REDUCIR EL RIESGO DE INCENDIO, CHOQUE ELÉCTRICO, O LESIÓN A PERSONAS, PROCURE LO SIGUIENTE:

1. Utilice esta unidad sólo en la manera prescrita por el fabricante. Si tiene usted alguna pregunta, comuníquese con el fabricante a la dirección o el teléfono indicados en la garantía.
2. Antes de efectuar algún servicio o limpieza, se debe desconectar la corriente eléctrica en el armario de circuitos y asegurarlo con llave para evitar que la corriente sea conectada accidentalmente.
3. Todo trabajo de instalación y cableado eléctrico debe ser realizado por personal calificado y de acuerdo con todos los códigos y normas pertinentes, incluyendo los códigos y normas relacionados con construcción clasificada para incendio.
4. Aire suficiente es necesario para facilitar la combustión adecuada y la salida apropiada de gases por la chimenea de la unidad y para evitar corrientes de aire invertidas. Siga las instrucciones y medidas de seguridad del fabricante del equipo y de las sociedades profesionales de equipos de calentadores y los reglamentos de seguridad locales.
5. A cortar o perforar la pared o el techo, no dañe el cableado eléctrico u otros servicios públicos ocultos a la vista.
6. Los abanicos con ducto deberán siempre tener una salida hacia el exterior.
7. Si se va a instalar esta unidad sobre una tina o ducha, debe marcarse que es apropiada para esta aplicación y conectarse a un GFCI (interruptor accionado por pérdida de conexión a tierra) en un circuito de derivación protegido.
8. Nunca coloque el interruptor en un lugar en donde se pueda alcanzar desde la tina o ducha.
9. Para reducir el riesgo de incendio o de descarga eléctrica, no utilice este ventilador con ningún dispositivo de una control de velocidad de estado sólido adicional.
10. No para el uso en cocinas.
11. No utilice en un techo que se aisle a un valor mayor que R-40.
12. Esta unidad se debe instalar con tierra efectiva.

PRECAUCIÓN

1. Solamente para uso general de ventilación. No utilice para descargar materiales o vapores riesgosos o explosivos.
2. Para evitar daños al motor y evitar que las navajas del abanico emitan mucho ruido o estén fuera de balance, mantenga el motor libre de pelusa, polvo, etc.
3. Por favor lea la etiqueta con las especificaciones del equipo para otros requisitos y mayor información.

PARA OBTENER MEJORES RESULTADOS

Cuando instale la lámpara/ventilador aspirante en una construcción nueva, instale la caja durante la etapa de enterramiento de la instalación eléctrica de la construcción. La unidad de potencia, el reflector y la rejilla deben de instalarse después de que el techo acabado esté en su sitio.

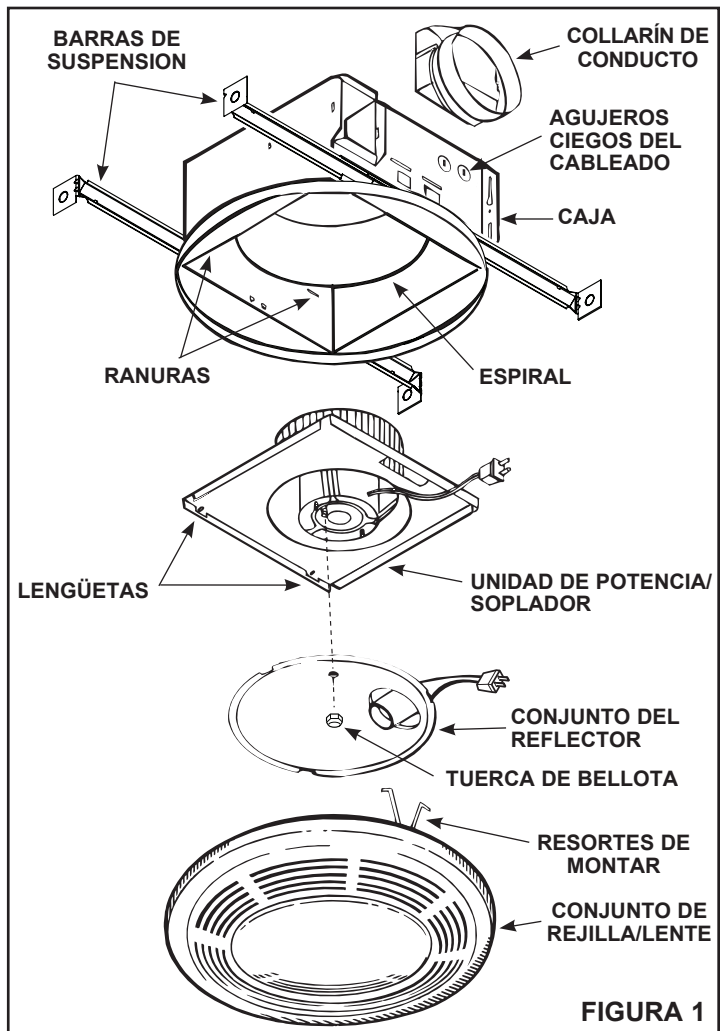


FIGURA 1

PLANIFICACION DEL CONDUCTO Y CABLEADO

CONDUCTO

1. Utilice un conducto redondo de 4".
2. Planee pasar el conducto desde la abertura de descarga del ventilador al exterior. Para conseguir el mejor rendimiento del ventilador, haga el conducto lo más corto posible y utilice los menos codos posibles.
3. Utilice los accesorios opcionales de Broan para conductos si los necesita.

CABLEADO

Planee pasar un cableado de la casa de 120v CA (puesto a tierra) desde la fuente de alimentación, a través de los interruptores de pared, a la caja de empalme en el ventilador. Para el control separado del ventilador y de la luz, utilice un interruptor opcional de Broan.

IMPORTANTE: Utilice cable apropiado para 90°C.

INSTALACION EN UN LUGAR NUEVO DE CONSTRUCCION

PREPARACION

1. **Refiérase a la Figura 1.** Saque el conjunto de la unidad de potencia/soplador de la caja.
 - A. Desenchufe la unidad de potencia.
 - B. Quite el tornillo (localizado junto al receptáculo de clavija) que sostiene la placa de montaje de la unidad de potencia/soplador en su sitio. Reserve el tornillo.
 - C. Levante la placa de montaje en el extremo cerca del receptáculo de clavija hasta que la rueda del ventilador se separe de la espiral.
 - D. Quite la placa tirando de las lengüetas hacia afuera en la caja. Ponga la unidad de potencia/soplador a un lado hasta que la vuelva a necesitar.
2. Quite uno de los agujeros ciegos del cableado de la caja.

MONTAJE DE LA CAJA

MONTAJE CON LENGÜETAS

Refiérase a la Figura 2.

1. Coloque la caja del ventilador junto a la vigueta del techo.
2. Utilice tornillos de rosca para madera (no incluidos) para acoplar con flojedad la caja a la vigueta del techo a través de las ranuras de bocallave en las lengüetas de montaje.
3. Ajuste la caja de tal manera que esté a ras del techo acabado. Para que la rejilla encaje bien, el borde de la caja no debe de extenderse más allá de la superficie acabada del techo.
4. Cuando la caja esté bien ajustada, aprete los tornillos en las ranuras.

CON BARRAS DE SUSPENSION

Refiérase a la Figura 3.

1. Para viguetas de 24" utilice el manguito de extensión. Para viguetas estándar de 16" deseche el manguito de extensión.
2. Inserte las barras de suspensión a través de las lengüetas de montaje localizadas en el borde inferior de la caja. Clave una barra a las viguetas.
3. Deslice la caja a la ubicación deseada entre las viguetas y luego clave la segunda barra de suspensión a las viguetas.

INSTALACION DEL CONDUCTO

1. **Refiérase a la Figura 2.** Coloque el collarín del conducto sobre las bridas en la abertura de descarga del ventilador. Fije el collarín encajando las lengüetas a presión en las ranuras de las bridas.
2. Pase el conducto redondo de 4" desde la abertura de descarga del ventilador al exterior y termine.
3. Conecte el conducto al collarín del conducto de ventilador.

CABLEADO

Todo el cableado debe cumplir con los códigos locales y la unidad debe estar puesta a tierra adecuadamente.

1. Pase el cableado de la casa de 120v CA desde un interruptor de pared a la ubicación del ventilador. Vea la Figura 4.
2. Inserte y fije el conector de caja aprobado en el agujero de entrada del cableado.
3. Tire de los cables a través del conector de caja y dentro de la caja de empalme. Apreté el conector de caja.
4. **Refiérase a la Figura 4.** Conecte los cables blancos de los receptáculos del ventilador y de la luz a cable blanco (neutro) de la alimentación. Conecte el cable negro del receptáculo del ventilador (negro) con el cable del interruptor del ventilador. Conecte el cable azul del receptáculo de la luz (blanco) con el cable del interruptor de la luz.
5. Conecte el cable verde (desnudo) de conexión a tierra al hilo verde de conexión a tierra.

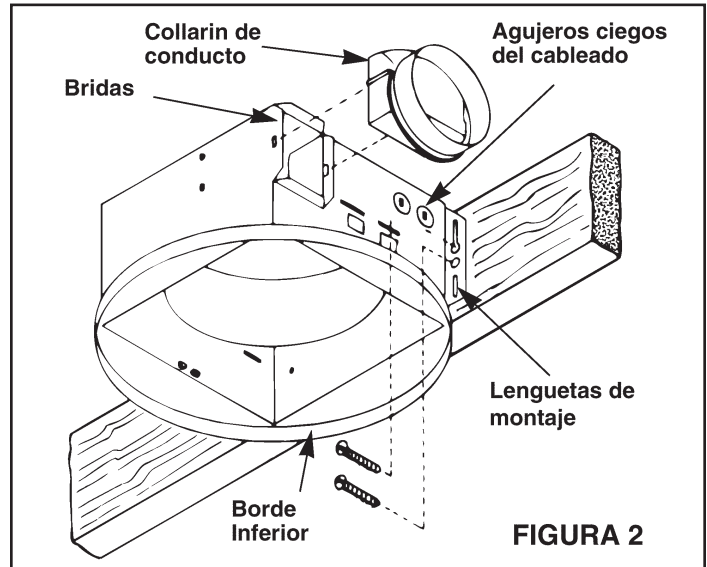


FIGURA 2

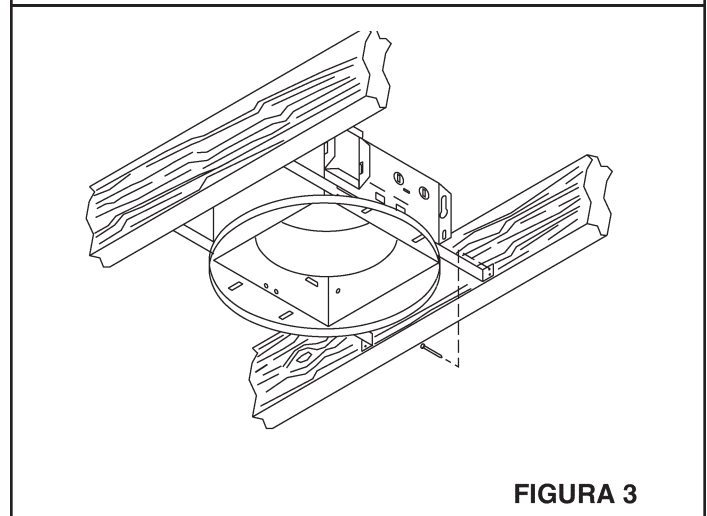


FIGURA 3

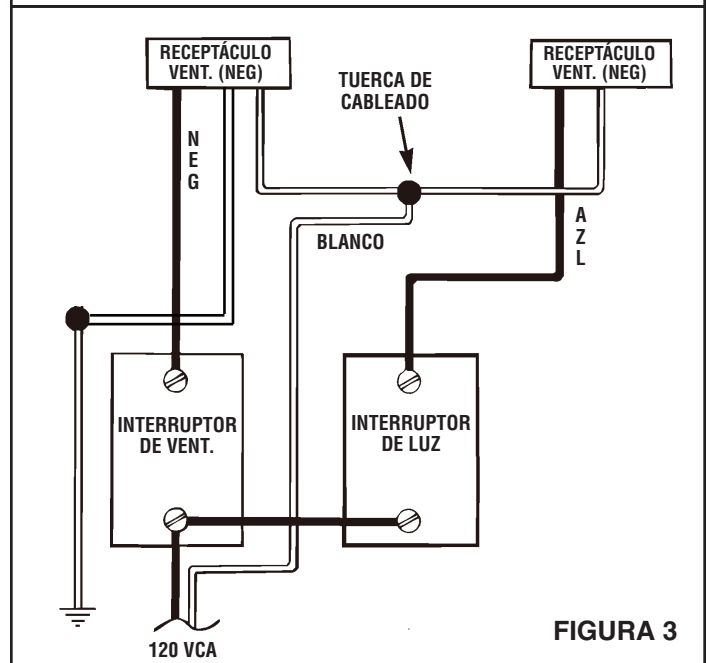


FIGURA 3

INSTALACION DE LA UNIDAD DE POTENCIA/SOPLADOR

1. Refiérase a la **Figura 1**. Coloque la unidad de potencia/soplador en la caja para que las lengüetas de la placa de montaje se inserten en las ranuras de la caja.
2. Presione el otro extremo de la placa de montaje hasta que esté firmemente asentada sobre los receptáculos de espiral y de clavija.
3. Fije la placa de montaje a la caja con el tornillo provisto.
4. Inserte el enchufe del motor en el receptáculo de la caja de empalme.

PARA TERMINAR LA INSTALACION

1. Inserte el enchufe de la lámpara en el receptáculo de la caja de empalme y fije el conjunto del reflector al bastidor de motor con la tuerca de mariposa provista.
2. Instale bombillas de 100 vatios (máximo) para la luz y 7 vatios (máximo) para la luz de noche.
3. Apriete los muelles de montaje del conjunto de la rejilla, inserte los muelles en las ranuras en ambos lados de la caja.
4. Presione el conjunto de la rejilla firmemente en su sitio contra el techo.

INSTALACION EN UNA CONSTRUCCION EXISTENTE

PLANIFICACIÓN

Repase "INSTALACIÓN EN UN LUGAR NUEVO DE CONSTRUCCION" y siga todas las instrucciones que se apliquen a su instalación.

LOCALIZACIÓN: Localice el ventilador entre las viguetas del techo.

CABLEADO Y CONDUCTO: Planee el conducto y el cableado antes de proceder con la instalación.

PRECAUCION: Compruebe el área sobre la instalación planeada para asegurarse de que:

1. El conducto se puede instalar o el área es suficiente para la ventilación adecuada.
2. El cableado se puede llevar al lugar planeado.
3. Ningún cableado ni ninguna otra obstrucción puede interferir con la instalación.

INSTALACION

1. El ventilador se puede montar entre viguetas del techo. Decida dónde quiere colocar el ventilador y luego determine dónde están las viguetas más cercanas. **Localización de las viguetas** – Golpee ligeramente el techo. Un sonido hueco significa que no hay vigueta, un sonido sólido significa que hay una vigueta. Para asegurarse de que ha localizado una vigueta, taladre un agujero pequeño (1/16") y explore dentro del techo con un cable.
2. Localice las viguetas. Taladre un agujero iniciador en el techo entre las viguetas.
3. Para localizar el borde de la vigueta con exactitud, sierre una línea desde el agujero a la vigueta.
4. Refiérase a la **Figura 1**. Saque la unidad de potencia/soplador de la caja.
5. Utilice la caja del ventilador como una plantilla para carcar el recorte: coloque la caja centrada entre las viguetas y trace una línea alrededor de la caja.
6. Haga el recorte a lo largo de la línea marcada.
7. Refiérase a la **Figura 5**. Instale tablillas de 2 x 4 a ambas viguetas del techo. En algunos casos puede ser necesario utilizar más de una sola tablilla en un lado. La distancia entre las tablillas debe ser al menos de 9-1/8 " pero no más de 10".

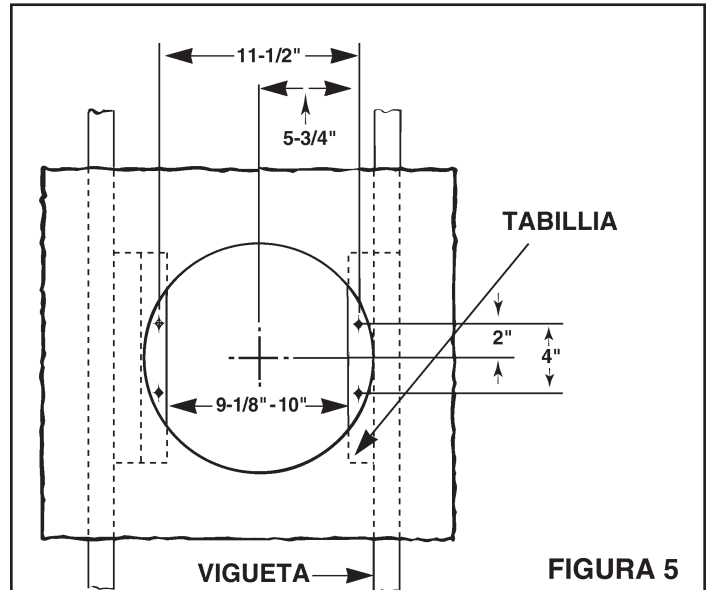


FIGURA 5

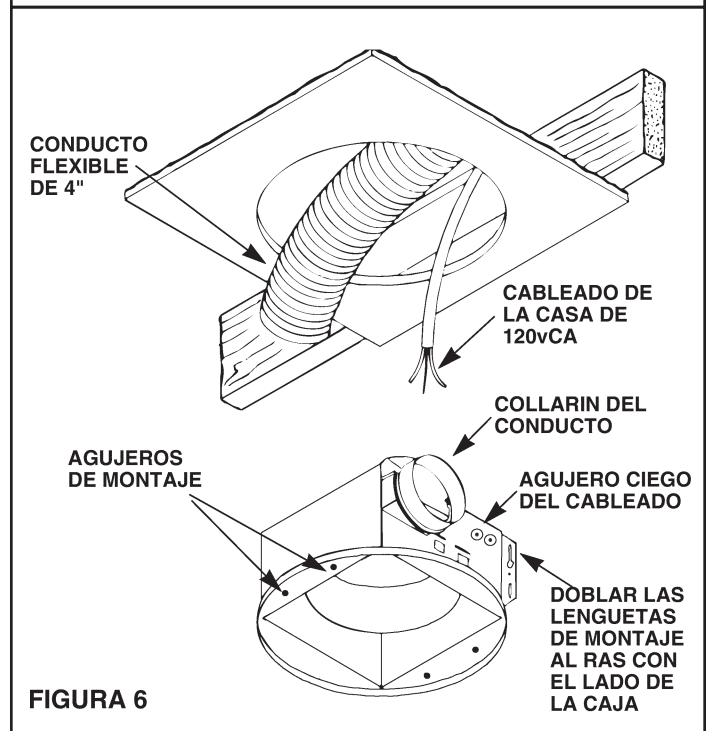


FIGURA 6

8. Saque el agujero ciego lateral del cableado e inserte y fije un conector de caja aprobado dentro del agujero de entrada del cableado.
9. Utilice alicates para doblar ambas lengüetas de montaje lo más al ras posible con el lado de la caja.
10. Instale el collarín del conducto.
11. Pase el cableado a través del conector de la caja y conecte el conducto flexible de 4" con el collarín del conducto.
12. Empuje con cuidado el conducto y el cableado dentro del recorte. Coloque la caja dentro del recorte.
13. Utilice tornillos de rosca para madera para fijar la caja a las tablillas a través de los cuatro agujeros de la caja. Asegúrese de que la caja esté a ras con el techo acabado.
14. Instale la unidad de potencia/soplador y termine la instalación.

USO Y CUIDADO

AVERTISSEMENT : DÉBRANCHEZ L'ALIMENTATION ÉLECTRIQUE ET VERROUILLEZ LE PANNEAU D'ENTRÉE D'ÉLECTRICITÉ AVANT LE REMPLACEMENT DES LAMPES, LE NETTOYAGE OU LA RÉPARATION DE L'APPAREIL.

CAMBIO DE BOMBILLAS

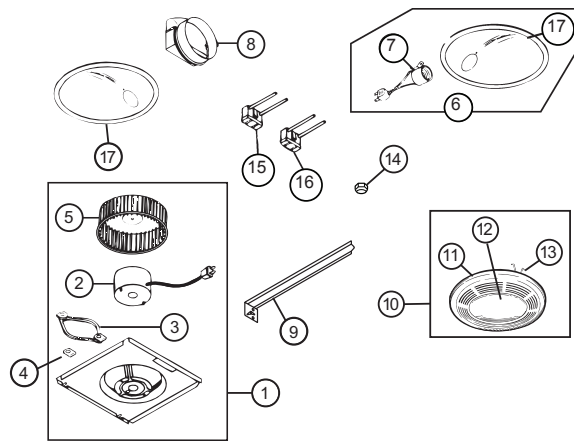
Tire de la lente separándola del conjunto de reflector/rejilla.

Aprete los muelles de montaje, y quite la lente para exponer el portalámparas para cambiar la bombilla.

Inserte la lámpara (100 watt máximo) en el casquillo. **NOTA:** La lámpara se debe comprar por separado.

Reemplace ensamblaje de la parilla contra el techo después de cambiar la lámpara.

PIEZAS DE SERVICIO



| CLAVE No. | PIEZA No. | DESCRIPCION |
|-----------|------------|-------------------------------------|
| 1 | 97017704 | Ensamblaje de la unidad de potencia |
| 2 | 100599-000 | Motor |
| 3 | 32787-000 | Montaje del aislamiento |
| 4 | 32788-000 | Sujetador de tierra |
| 5 | 100603-000 | Pistón impulsor |
| 6 | 86000-000 | Ensamblaje del reflector |
| 7 | 85979-000 | Casquillo de la lámpara |
| 8 | 30652-000 | Ensamblaje adaptador de conducto |
| 9 | 44388-000 | Barra de la suspensión |
| 10 | 97017702 | Ensamblaje de la parilla |
| 11 | 99111406 | Parilla |
| 12 | 61753-000 | Lente |
| 13 | 57000-000 | Resorte de la parilla (2) |
| 14 | 99260575 | Tuerca de bellota |
| 15 | 99270981 | Receptáculo de la luz |
| 16 | 99270982 | Receptáculo del ventilator |
| 17 | 101049-000 | Reflector |

Pida piezas de repuesto indicando el N.º de la PIEZA, no el N.º de la CLAVE

USO Y CUIDADO

LIMPIEZA

Tire de la lente separándola del conjunto de reflector/rejilla.

Aprete los muelles de montaje, y quite ensemble de rejilla por limpieza.

Limpie los ensamblajes de la parilla y lente usando un solución suave del jabón y del agua. Las asambleas con los marcos de madera no deben ser sumergidas.

Reemplace ensamblaje de la parilla contra el techo después de cambiar la lámpara.

LUBRICACIÓN DEL MOTOR

El motor está permanentemente lubricado. No lubrique ni desmonte el motor.

Garantía limitada

Periodo y exclusiones de la garantía: Broan-NuTone LLC (la "Compañía") garantiza al consumidor comprador original de su producto ("usted") que el producto (el "Producto") estará libre de defectos en materiales o en mano de obra, por un periodo de un (1) año a partir de la fecha de compra original.

El periodo de garantía limitada para cualquier pieza de repuesto proporcionada por la compañía y para cualquier Producto reparado o reemplazado bajo esta garantía limitada debe ser lo que reste del periodo de garantía original.

Esta garantía no cubre controles de velocidad, arrancadores de lámparas fluorescentes, tubos, bombillas de halógeno e incandescentes, fusibles, filtros, conductos, tapas de techo, tapas de pared ni otros accesorios que pudieran ser comprados por separado e instalados con el producto. Esta garantía tampoco cubre (a) mantenimiento y servicio normal, (b) uso y desgaste normal, (c) Productos o piezas sujetos a mal uso, abuso, uso anormal, negligencia, accidente, mantenimiento inadecuado o insuficiente, almacenamiento o reparación (que no sea reparación por parte de la Compañía), (d) daños causados por instalación defectuosa, o bien instalación o uso contrario a las recomendaciones o instrucciones, (e) cualquier Producto que se haya movido de su punto de instalación original, (f) daños ocasionados por el medio ambiente o los elementos naturales, (g) daños en tránsito, (h) desgaste natural del acabado, (i) Productos en uso comercial o no residencial, o (j) daños ocasionados por incendio, inundación u otro caso fortuito. Esta garantía cubre solamente Productos vendidos a clientes originales en los Estados Unidos por la Compañía o a distribuidores de EE. UU. autorizados por la Compañía.

Esta garantía sustituye todas las garantías anteriores y no es transferible del comprador consumidor original.

No hay otras garantías: Esta garantía limitada contiene la única obligación de la Compañía y su único recurso ante productos defectuosos. Las garantías anteriores son exclusivas y en lugar de cualquier otra garantía, expresa o implícita. **LA COMPAÑÍA NIEGA Y EXCLUYE CUALQUIER OTRA GARANTÍA EXPRESA, Y NIEGA Y EXCLUYE TODAS LAS GARANTÍAS IMPLÍCITAS POR LEY, INCLUYENDO, ENTRE OTRAS, LAS DE COMERCIALIZACIÓN Y APTITUD PARA UN PROPÓSITO EN PARTICULAR.** Hasta el grado en que la ley aplicable prohíba la exclusión de las garantías implícitas, la duración de cualquier garantía implícita aplicable está limitada al periodo especificado para la garantía expresa antes mencionada. Algunos estados no permiten limitaciones en la duración de una garantía implícita, así que la limitación anterior tal vez no aplique en su caso. Cualquier descripción verbal o escrita del Producto es para el único propósito de identificarlo y no deberá considerarse a una garantía expresa.

Siempre que sea posible, toda disposición de esta garantía limitada deberá ser interpretada de tal forma que sea efectiva y válida de conformidad con la ley aplicable, pero si alguna disposición fuera considerada prohibida o inválida, quedará sin efecto solo en virtud de dicha prohibición o invalidez, sin invalidar el resto de dicha disposición o las demás disposiciones restantes de la garantía limitada.

Recurso: Durante el periodo de garantía limitada aplicable, la Compañía, a su opción, suministrará piezas de repuesto, o reparará o reemplazará, sin cargo alguno, cualquier Producto o pieza del mismo, hasta el grado en que la Compañía lo encuentre cubierto bajo esta garantía limitada y en incumplimiento de la misma en condiciones normales de uso y servicio. La Compañía le enviará el Producto reparado o reemplazado o las piezas de repuesto sin cargo. Usted es responsable de todos los costos de retiro, reinstalación y envío, seguro u otros cargos de flete incurridos en el envío del Producto o pieza a la Compañía. Si debe enviar el Producto o la pieza a la Compañía, tal como lo indique la Compañía, debe empaquetar adecuadamente el Producto o la pieza: la Compañía no se hace responsable por los daños en tránsito. La Compañía se reserva el derecho de utilizar Productos o piezas reacondicionados, renovados, reparados o refabricados en el proceso de reemplazo o reparación de garantía. Dichos Productos y piezas serán comparables en función y desempeño a un Producto o una pieza original y tendrán garantía durante el resto del periodo de la garantía original.

Exclusión de daños: LA OBLIGACIÓN DE LA COMPAÑÍA DE SUMINISTRAR PIEZAS DE REPUESTO, O DE REPARAR O REEMPLAZAR, A OPCIÓN DE LA COMPAÑÍA, SERÁ SU ÚNICO Y EXCLUSIVO RECURSO BAJO ESTA GARANTÍA LIMITADA, Y LA ÚNICA Y EXCLUSIVA OBLIGACIÓN DE LA COMPAÑÍA. LA COMPAÑÍA NO SERÁ RESPONSABLE POR DAÑOS INCIDENTALES, INDIRECTOS, RESULTANTES O ESPECIALES QUE SURJAN POR EL USO O DESEMPEÑO DEL PRODUCTO, O EN RELACION CON EL MISMO.

Algunos estados no permiten la exclusión o limitación de daños incidentales o resultantes, por lo que la limitación antes mencionada podría no aplicarse a usted. Esta garantía le otorga derechos legales específicos, y usted podría tener otros derechos que varían de un estado a otro.

Esta garantía cubre únicamente el reemplazo o la reparación de Productos defectuosos o piezas de los mismos en la planta principal de la Compañía, y no incluye el costo del viaje para el servicio de campo ni los viáticos.

Cualquier asistencia que proporcione o procure la Compañía para usted fuera de los términos, limitaciones o exclusiones de esta garantía limitada no constituirá una renuncia a dichos términos, limitaciones o exclusiones, ni dicha asistencia extenderá o renovará la garantía.

La Compañía no le reembolsará ningún gasto en el que usted haya incurrido al reparar o reemplazar cualquier Producto defectuoso, excepto los incurridos con el permiso previo por escrito de la Compañía.

Cómo obtener el servicio cubierto por la garantía: Para tener derecho al servicio cubierto por la garantía, usted debe (a) notificar a la Compañía a la dirección o número de teléfono que aparecen abajo en un plazo de siete (7) días después de descubrir el defecto cubierto, (b) proporcionar el número de modelo y la identificación de la pieza y (c) describir la naturaleza de cualquier defecto en el Producto o la pieza. En el momento de solicitar el servicio cubierto por la garantía, debe presentar un comprobante de la fecha de compra original. Si usted no puede presentar una copia de la garantía limitada original por escrito, entonces registrarán los términos de la garantía limitada por escrito más actualizada de la compañía para su producto en particular. Las garantías limitadas por escrito más actualizadas para los productos de la Compañía se pueden encontrar en www.broan.com. Broan 926 West State Street, Hartford, WI 53027 www.broan.com 800-637-1453