

SUBMERSIBLE PUMPS

SteadyMate
Pump Guard

With Pool Cover Pump Guard included



Manual Models

- Capacity is 1250 or 2450 gallons per hour
- Manual operation
- Assorted adapter fittings included
- 33' power cord
- Pump guard



Automatic Models

- Capacity is 1250 or 2450 gallons per hour
- Manual operation
- Assorted adapter fittings included
- 33' power cord
- Pump guard

WARRANTY

Your submersible pump is guaranteed to be in perfect condition when it leaves our factory. It is warranted against defective materials and workmanship for a period of **12 months** from the date of purchase from owner.

If any pump should fail for either of above two reasons and is still within the warranty period, it will be repaired or replaced at the option of **manufacturer** as the sole remedy of the buyer.

All defective product returned under warranty will be fully inspected to determine the cause of failure before warranty is approved. Defective product can be returned to an **AUTHORIZED SERVICE CENTER** with a brief explanation of the problem. If there is no apparent signs of customer abuse the unit may be repaired, replaced or returned to the factory for warranty inspection. Any and all freight charges incurred in returning the unit to the factory will be the sole responsibility of the purchaser.

DISCLAIMER: THE FOREGOING WARRANTY IS AN EXCLUSIVE WARRANTY IN LIEU ANY OTHER EXPRESS WARRANTIES. ANY IMPLIED WARRANTIES (INCLUDING BUT NOT LIMITED TO ANY IMPLIED WARRANTY OF MERCHANTABILITY OR FITNESS FOR A PARTICULAR PURPOSE) TO THE EXTENT EITHER IMPLIES TO A PUMP SHALL BE LIMITED IN DURATION TO THE PERIODS OF THE EXPRESS WARRANTIES GIVEN ABOVE.

SUBMERSIBLE PUMP UNIVERSAL INSTRUCTION MANUAL

Congratulations on your purchase of a submersible pump. Your pump has been manufactured to the highest standards of workmanship and materials. It has been engineered to give you many years of exceptional performance. This instruction manual is designed to cover all models of pumps and not all features applicable to all pumps.

Your pump has been carefully package inspected and factory tested to insure safe operation and that the pump performs as well for you as it did in the factory. Your pump housing is constructed of durable polymer material. The housing provides protective shield for the motor. **UNDER NO CIRCUMSTANCES SHOULD YOU OPEN THE CASE AND EXPOSE THE MOTOR. IF THE CASE IS OPENED, THEN THE WARRANTY EXPRESSED IN THIS MANUAL WILL BE VOID.**

Read all instructions carefully before attempting to install, operate or service the pump. Know the pump application, limitations and potential hazards, protect yourself and others by observing all safety information. Failure to comply with instructions could result in personal injury and / or property damage! Retain this manual for future reference.

SAFETY GUIDELINES WARNING

1. Make sure that the pump is disconnected from the power source before attempting to service or remove any component.
2. Do not use to pump flammable liquids or explosive fluids such as gasoline, fuel oil, kerosene, etc. Do not use in explosive atmospheres. Pump should **ONLY** be used with liquids compatible with pump component materials.
3. Do not handle pump with wet hands or when standing on a wet or damp surface or in water.
4. Your pumps is supplied with a grounding conductor and/or grounding-type attachment plug. To reduce the risk of electric shock, be certain that it is connected to a properly grounded grounding-type receptacle.
5. In any installation where property damage and/or personal injury might result from an inoperative or leaking pump due to power outages, discharge line blockage, or any other reason, a backup system(s) and /or alarm should be used.
6. Support your pump and piping when assembling and when installed. Failure to do so may cause pipe to break, pump to fail, motor bearing failures, etc.

ELECTRICAL CONNECTION WARNING

1. Check your pump label for proper voltage required. Do not connect to voltage other than that shown. The pump can be connected to any shock proof plug (ground fault interrupter circuit) which has been installed according to electrical code. The plug must have a supply voltage of 110V-60 Hz and a circuit of a minimum of 6 amps.
2. When the pump is to be used near swimming pools or garden ponds and in their area the power supply must be equipped with a ground –fault interrupter circuit with a nominal trip current of a maximum of .30mA. The pump must not be operated while people are in the swimming pool or in the garden pond. Consult your electrician.
3. Your pump is supplied with a 3-prong electrical plug, the third prong is to ground the pump to prevent possible shock hazard. **DO NOT REMOVE** the third prong. A separate branch circuit is recommended. **DO NOT** use an extension cord. Do not cut the plug from the cord. If the plug is cut or the cord shortened, then this action will void the warranty.
4. The electrical connection must be protected from moisture.

PUMP OPERATION WARNING

1. Your pump cannot be operated in water with a temperature in excess of 122 degrees Fahrenheit.
2. Place pump in water at least 3/4 inch deep to begin pumping. Pump should be totally submerged for proper cooling of the motor when the pump is operated for extended periods.
3. If you purchased a pump that is equipped with an adjustable “go flow” high water sensor, the pump will automatically turn on once the internal sensor detect water at the level you have selected. The pump will automatically turn off once the water level has gone below the selected height of the “no flow” setting you have selected. Always select a higher level for “go flow” setting than the “no flow” setting. This will help prevent the pump from running dry and voiding the warranty. Never set the “go Flow” and “no flow” at the same level, this will cause the pump to run dry and void the warranty.
4. If your pump is not equipped with the smart flow sensor it must be turned on and off manually. Care must be taken to not let the pump run dry. (without fluid) The pump is designed to be cooled by pumping fluid. Seal damage, bearing damage and motor failure can result if the pump is allowed to run dry.
5. When first starting your pump you should run water into the pump until the pump starts. Allow the pump to operate through several on/off cycles.
6. If the pump is going to be idle for period of time, follow the cleaning instructions outlined in this manual. Do not let the pump freeze in winter time. This may cause cracking or distortion that may destroy the pump and void the warranty.
7. For best performance use the supplied collapsible hose, attach to appropriate sized fitting and secure with clamp. Make sure that hose is fully extended so that water can flow freely.

SERVICE INSTRUCTIONS WARNING

MAKE SURE THE PUMP IS DISCONNECTED FROM THE POWER SOURCE BEFORE ATTEMPTING TO SERVICE OR CLEAN THE PUMP!

1. The motor housing of your pump is completely sealed and requires no service. Disassembly of the motor housing or alteration of the power cord voids all warranty.
2. Your pumps should be cleaned out with fresh, clean water after every use.

AUTOMATIC ON/OFF SENSORS

START GO-FLOW STOP-FLOW SYSTEM

SUBMERSIBLE PUMPS

Perfect For:

- ▶ Pools
- ▶ Pool Covers
- ▶ Spas



Set the **START FLOW** Marker to the desired High Water level and the Automatic Switch System will power up the Spartan Pump and will start the water flowing.

START FLOW

Turn On Gauge for Pump

Set the **STOP FLOW** Marker to the desired Low Water level and the Automatic Switch System will power down the Spartan Pump and will stop the water from flowing.

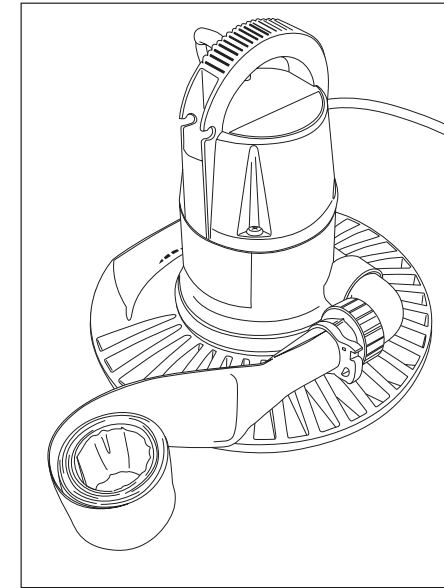
Turn Off Gauge for Pump

STOP FLOW



New Low-Profile Base Guard
Included with this pump

Your new Submersible Pump is fully assembled and ready to use



Follow these simple instructions to begin the operation of your submersible pump. Be sure to read all the instructions and warnings before you begin the operation of the pump to help prevent personal injury or property damage.

1. Set the release end of the discharge hose to the area you want to move the unwanted water. Be sure to check the area for possible damage/flooding before you begin pump operation.
2. Set the green "GO FLOW" level indicator to the desired level of water you want for automatic activation of your pump. This is the height you want the water to reach before the pump switches on. Once the water reaches the set level the pump will start and continue until the water level decreases to the level set on the red "NO FLOW" indicator.
3. Set the red "NO FLOW" indicator to the water height you want to pump to automatically turn off (stop pumping) Once the water level reaches the height set on the "NO FLOW" setting and turns off, it will not turn on again until the water reaches the level set on the "GO FLOW" indicator.
4. Note: Do not set the red (No Flow) and green (Go Flow) indicators too closely. This will result in the pump not functioning properly as well as running dry. If this happens the motor will overheat and void your warranty.
5. Place your pump in its desired location. Always use the carry handle to transport your pump. NEVER carry your pump by the cord or hose connection.
6. Plug the cord into an approved electrical outlet (as outlined in this manual) and begin operation.
7. It is recommended that you use the SteadyMate pump guard for your submersible pump when you use the pump for removing excess water from a swimming pool cover. It will increase the pumps stability and performance.

SUBMERSIBLE PUMPS

Perfect For:

- ▶ Pools
- ▶ Pool Covers
- ▶ Spas

Features:

32' Power Cord
Directional discharge
Assorted discharge fittings to allow for multiple applications
Standard garden hose adapter

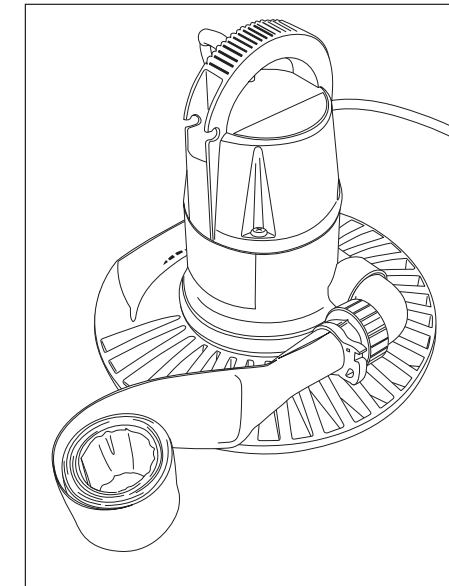


32 Foot
Power
Cord



New Low-Profile Base Guard
Included with this pump

Your new Submersible Pump is fully assembled and ready to use



Follow these simple instructions to begin the operation of your submersible pump. Be sure to read all the instructions and warnings before you begin the operation of the pump to help prevent personal injury or property damage.

1. Set the release end of the discharge hose to the area you want to move the unwanted water. Be sure to check the area for possible damage/flooding before you begin pump operation.
2. Place your pump in its desired location. Always use the carry handle to transport your pump. NEVER carry your pump by the cord or hose connection.
3. Plug the cord into an approved electrical outlet (as outlined in this manual) and begin operation.
4. It is recommended that you use the SteadyMate pump guard for your submersible pump when you use the pump for removing excess water from a swimming pool cover. It will increase the pumps stability and performance.

IMPORTANT OPERATIONAL WARNINGS

- ▶ Pumps are designed for periodic use and not intended for continuous operation. The recommended duty cycle is up to 4 hours ON and 1 hour OFF. DO NOT RUN DRY.
- ▶ Exceeding recommended running time can cause excessive wear on pump seals shortening the life of your pump.
- ▶ Pumps must be placed in water at least 2" deep to begin pumping. Pump should be totally submerged for proper cooling of the motor when the pump is operated for extended periods.
- ▶ When pumps are used near swimming pools or garden ponds and in their area the power supply must be equipped with a ground – fault interrupter circuit.
- ▶ Do not let the pump freeze in wintertime. This may cause cracking or distortion that may destroy the pump and void the warranty.

SUBMERSIBLE PUMPS

Pool Cover Pump Guard



If you plan on using your pump to remove water from a swimming pool cover, our included Pump Guard is designed to add stability and protect your pump from leaves and debris.

Easy to twist / lock installation and removal adds even more versatility to your pump.

SteadyMate Pump Guard

- *Easy Twist-n-Lock Design*
- *Removeable*
- *Increased Stability*
- *Curved Bottom for Uneven Surfaces*
- *Multiple Inlet Openings*