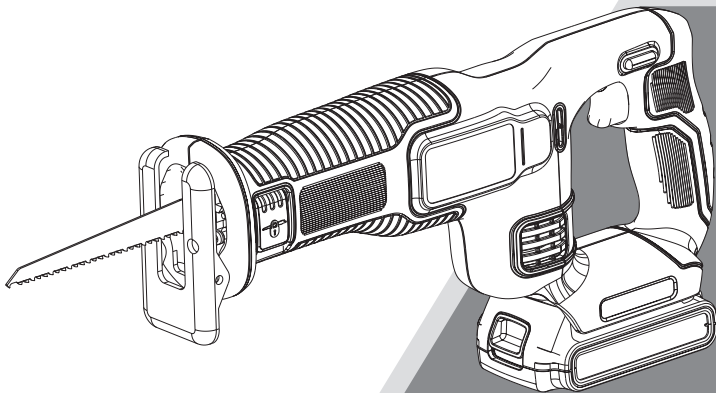




20V MAX* RECIPROCATING SAW INSTRUCTION MANUAL



CATALOG NUMBER
BDCR20
(20V MAX*)

Thank you for choosing Black & Decker! To register your new product, go to www.BlackandDecker.com/NewOwner

PLEASE READ BEFORE RETURNING THIS PRODUCT FOR ANY REASON.

If you have a question or experience a problem with your Black & Decker purchase, go to <http://www.blackanddecker.com/instantanswers>

If you can't find the answer or do not have access to the Internet, call 1-800-544-6986 from 8 a.m. to 5 p.m. EST Mon. - Fri. to speak with an agent. Please have the catalog number available when you call.

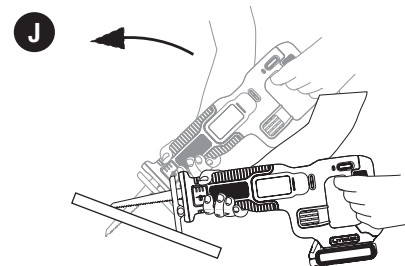
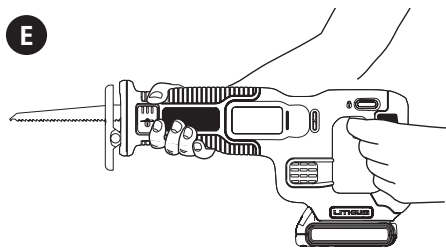
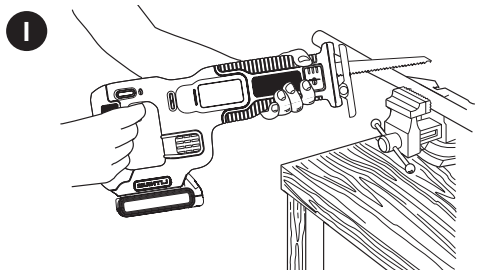
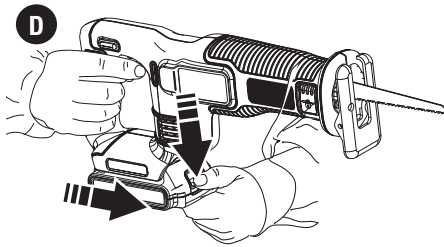
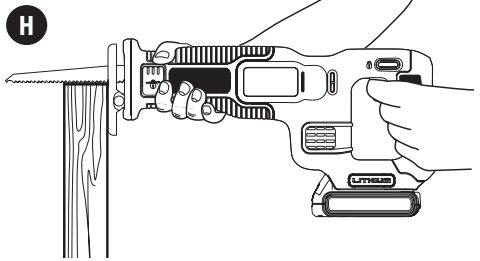
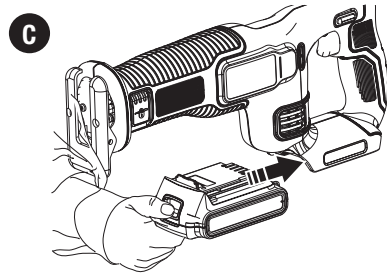
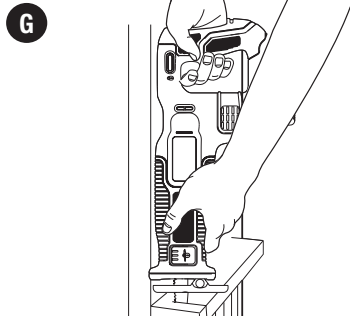
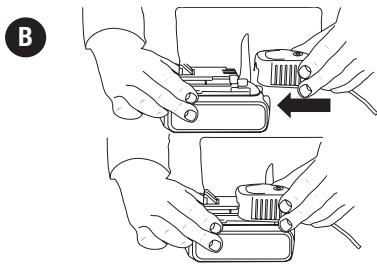
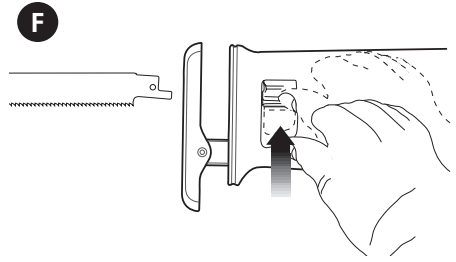
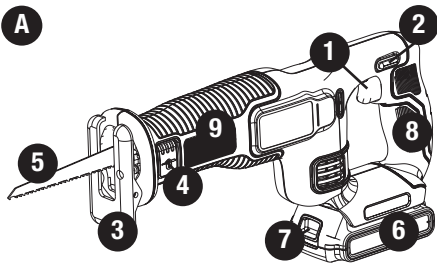
SAVE THIS MANUAL FOR FUTURE REFERENCE.

VEA EL ESPANOL EN LA CONTRAPORTADA.

INSTRUCTIVO DE OPERACIÓN, CENTROS DE SERVICIO Y PÓLIZA DE GARANTÍA.

ADVERTENCIA: LÉASE ESTE INSTRUCTIVO ANTES DE USAR EL PRODUCTO.

*Maximum initial battery pack voltage (measured without a workload) is 20 volts. Measured under a workload, nominal voltage is 18.



SAFETY GUIDELINES - DEFINITIONS

It is important for you to read and understand this manual. The information it contains relates to protecting YOUR SAFETY and PREVENTING PROBLEMS. The symbols below are used to help you recognize this information.

⚠ DANGER: Indicates an imminently hazardous situation which, if not avoided, will result in death or serious injury.

⚠ WARNING: Indicates a potentially hazardous situation which, if not avoided, could result in death or serious injury.

⚠ CAUTION: Indicates a potentially hazardous situation which, if not avoided, may result in minor or moderate injury.

NOTICE: Used without the safety alert symbol indicates potentially hazardous situation which, if not avoided, may result in property damage.

⚠ WARNING: Read all safety warnings and all instructions.
Failure to follow the warnings and instructions may result in electric shock, fire and/or serious injury.

SAVE ALL WARNINGS AND INSTRUCTIONS FOR FUTURE REFERENCE

The term "power tool" in the warnings refers to your mains-operated (corded) power tool or battery-operated (cordless) power tool.

SAVE THESE INSTRUCTIONS

1) WORK AREA SAFETY

- a) **Keep work area clean and well lit.**
Cluttered or dark areas invite accidents.
- b) **Do not operate power tools in explosive atmospheres, such as in the presence of flammable liquids, gases or dust.** *Power tools create sparks which may ignite the dust or fumes.*
- c) **Keep children and bystanders away while operating a power tool.**
Distractions can cause you to lose control.

2) ELECTRICAL SAFETY

- a) **Power tool plugs must match the outlet. Never modify the plug in any way. Do not use any adapter plugs with earthed (grounded) power tools.** *Unmodified plugs and matching outlets will reduce risk of electric shock.*
- b) **Avoid body contact with earthed or grounded surfaces such as pipes, radiators, ranges and refrigerators.** *There is an increased risk of electric shock if your body is earthed or grounded.*
- c) **Do not expose power tools to rain or wet conditions.** *Water entering a power tool will increase the risk of electric shock.*
- d) **Do not abuse the cord. Never use the cord for carrying, pulling or unplugging the power tool. Keep cord away from heat, oil, sharp edges or moving parts.** *Damaged or entangled cords increase the risk of electric shock.*
- e) **When operating a power tool outdoors, use an extension cord suitable for outdoor use.** *Use of a cord suitable for outdoor use reduces the risk of electric shock.*
- f) **If operating a power tool in a damp location is unavoidable, use a ground fault circuit interrupter (GFCI) protected supply.** *Use of a GFCI reduces the risk of electric shock.*

3) PERSONAL SAFETY

- a) **Stay alert, watch what you are doing and use common sense when operating a power tool. Do not use a power tool while you are tired or under the influence of drugs, alcohol or medication.** *A moment of inattention while operating power tools may result in serious personal injury.*
- b) **Use personal protective equipment. Always wear eye protection.** *Protective equipment such as dust mask, nonskid safety shoes, hard hat, or hearing protection used for appropriate conditions will reduce personal injuries.*
- c) **Prevent unintentional starting. Ensure the switch is in the off position before connecting to power source and/ or battery pack, picking up or carrying the tool.** *Carrying power tools with your finger on the switch or energizing power tools that have the switch on invites accidents.*
- d) **Remove any adjusting key or wrench before turning the power tool on.** *A wrench or a key left attached to a rotating part of the power tool may result in personal injury.*
- e) **Do not overreach. Keep proper footing and balance at all times.** *This enables better control of the*

power tool in unexpected situations.

- f) **Dress properly. Do not wear loose clothing or jewelry. Keep your hair, clothing and gloves away from moving parts.** *Loose clothes, jewelry or long hair can be caught in moving parts.*
 - g) **If devices are provided for the connection of dust extraction and collection facilities, ensure these are connected and properly used.** *Use of dust collection can reduce dust-related hazards.*
- 4) **POWER TOOL USE AND CARE**

- a) **Do not force the power tool. Use the correct power tool for your application.** *The correct power tool will do the job better and safer at the rate for which it was designed.*
 - b) **Do not use the power tool if the switch does not turn it on and off.** *Any power tool that cannot be controlled with the switch is dangerous and must be repaired.*
 - c) **Disconnect the plug from the power source and/or the battery pack from the power tool before making any adjustments, changing accessories, or storing power tools.** *Such preventive safety measures reduce the risk of starting the power tool accidentally.*
 - d) **Store idle power tools out of the reach of children and do not allow persons unfamiliar with the power tool or these instructions to operate the power tool.** *Power tools are dangerous in the hands of untrained users.*
 - e) **Maintain power tools. Check for misalignment or binding of moving parts, breakage of parts and any other condition that may affect the power tool's operation. If damaged, have the power tool repaired before use.** *Many accidents are caused by poorly maintained power tools.*
 - f) **Keep cutting tools sharp and clean.** *Properly maintained cutting tools with sharp cutting edges are less likely to bind and are easier to control.*
 - g) **Use the power tool, accessories and tool bits, etc. in accordance with these instructions, taking into account the working conditions and the work to be performed.** *Use of the power tool for operations different from those intended could result in a hazardous situation.*
- 5) **BATTERY TOOL USE AND CARE**

- a) **Recharge only with the charger specified by the manufacturer.** *A charger that is suitable for one type of battery pack may create a risk of fire when used with another battery pack.*
- b) **Use power tools only with**

specifically designated battery packs. *Use of any other battery packs may create a risk of injury and fire.*

- c) **When battery pack is not in use, keep it away from other metal objects like paper clips, coins, keys, nails, screws, or other small metal objects that can make a connection from one terminal to another.** *Shorting the battery terminals together may cause burns or a fire.*
- d) **Under abusive conditions, liquid may be ejected from the battery, avoid contact. If contact accidentally occurs, flush with water. If liquid contacts eyes, additionally seek medical help.** *Liquid ejected from the battery may cause irritation or burns.*

6) **SERVICE**

- a) **Have your power tool serviced by a qualified repair person using only identical replacement parts.** *This will ensure that the safety of the power tool is maintained.*

SPECIFIC SAFETY RULES

- **Hold power tool by insulated gripping surfaces, when performing an operation where the cutting accessory may contact hidden wiring.** *Cutting accessory contacting a "live" wire may make exposed metal parts of the power tool "live" and could give the operator an electric shock.*
- **Use clamps or another practical way to secure and support the workpiece to a stable platform.** *Holding the work by hand or against your body leaves it unstable and may lead to loss of control.*
- **When not in use, place tool on its side on a stable surface where it will not cause a tripping or falling hazard.** *Some tools with large battery packs will stand upright but may be easily knocked over.*
- **Keep hands away from cutting area.** *Never reach underneath the material for any reason. Hold front of saw by grasping the contoured gripping area. Do not insert fingers or thumb into the vicinity of the reciprocating blade and blade clamp. Do not stabilize the saw by gripping the shoe.*
- **Keep blades sharp.** *Dull blades may cause the saw to swerve or stall under pressure.*
- **Use extra caution when cutting overhead** and pay particular attention to overhead wires which may be hidden from view. *Anticipate the path of falling branches and debris ahead of time.*
- **When cutting pipe or conduit ensure that they are free from water, electrical wiring, etc.**

⚠ WARNING: Always wear proper personal hearing protection that conforms to ANSI S12.6 (S3.19) during use. Under some conditions and duration of use, noise from this product may contribute to hearing loss.

⚠ WARNING: ALWAYS use safety glasses. Everyday eyeglasses are NOT safety glasses. Also use face or dust mask if cutting operation is dusty. ALWAYS WEAR CERTIFIED SAFETY EQUIPMENT:

- ANSI Z87.1 eye protection (CAN/CSA Z94.3),
- ANSI S12.6 (S3.19) hearing protection,
- NIOSH/OSHA/MSHA respiratory protection.

⚠ WARNING: Some dust created by power sanding, sawing, grinding, drilling, and other construction activities contains chemicals known to the state of California to cause cancer, birth defects or other reproductive harm. Some examples of these chemicals are:

- lead from lead-based paints,
- crystalline silica from bricks and cement and other masonry products, and
- arsenic and chromium from chemically-treated lumber.

Your risk from these exposures varies, depending on how often you do this type of work. To reduce your exposure to these chemicals: work in a well ventilated area, and work with approved safety equipment, such as those dust masks that are specially designed to filter out microscopic particles.

- **Avoid prolonged contact with dust from power sanding, sawing, grinding, drilling, and other construction activities. Wear protective clothing and wash exposed areas with soap and water.** Allowing dust to get into your mouth, eyes, or lay on the skin may promote absorption of harmful chemicals.

⚠ WARNING: Use of this tool can generate and/or disperse dust, which may cause serious and permanent respiratory or other injury. Always use NIOSH/OSHA approved respiratory protection appropriate for the dust exposure. Direct particles away from face and body.

⚠ WARNING: Do not operate this tool for long periods of time. Vibration caused by the operating action of this tool may cause permanent injury to fingers, hands, and arms. Use gloves to provide extra cushion, take frequent rest periods, and limit daily time of use.

- When using an extension cord, be sure to use one heavy enough to carry the current your product will draw. An undersized cord

will cause a drop in line voltage resulting in loss of power and overheating. The following table shows the correct size to use depending on cord length and nameplate ampere rating. If in doubt, use the next heavier gage. The smaller the gage number, the heavier the cord.

Volts	Minimum Gauge for Cord Sets			
	Total Length of Cord in Feet			
120V	0-25 (0-7,6m)	26-50 (7,6-15,2m)	51-100 (15,2-30,4m)	101-150 (30,4-45,7m)
Ampere Rating		American Wire Gauge		
More Than		18	16	14
Than		6	16	14

SAVE THESE INSTRUCTIONS

SYMBOLS

The label on your tool may include the following symbols. The symbols and their definitions are as follows:

- V.....volts
- A.....amperes
- Hz.....hertz
- W.....watts
- min.....minutes
- ~ or AC.....alternating current
- == or DC...direct current
- n_o.....no load speed
- ⚠.....Class I Construction (grounded)
- ⊕.....earthing terminal
- ⚠.....safety alert symbol
- ⊞.....Class II Construction (double insulated)
- .../min or rpm...revolutions or reciprocation per minute
- SPM.....Strokes per minute
- 📖.....Read instruction manual before use
- 👁.....Use proper eye protection
- 👂.....Use proper hearing protection
- 👃.....Use proper respiratory protection

IMPORTANT SAFETY INSTRUCTIONS FOR BATTERY CHARGERS

SAVE THESE INSTRUCTIONS: This manual contains important safety instructions for battery chargers.

- Before using charger, read all instructions and cautionary markings on charger, battery pack, and product using battery pack.

⚠ WARNING: Shock hazard. Do not allow any liquid to get inside charger.

⚠ CAUTION: Burn hazard. To reduce the risk of injury, charge only designated **Black & Decker** batteries. Other types of batteries may burst causing personal injury and damage.

⚠ CAUTION: Under certain conditions, with the charger plugged in to the power supply, the charger can be shorted by

foreign material. Foreign materials of a conductive nature such as, but not limited to, steel wool, aluminum foil, or any buildup of metallic particles should be kept away from charger cavities. Always unplug the charger from the power supply when there is no battery pack in the cavity. Unplug charger before attempting to clean.

- **DO NOT attempt to charge the battery pack with any chargers other than the ones in this manual. The charger and battery pack are specifically designed to work together.**
- These chargers are not intended for any uses other than charging designated **Black & Decker** rechargeable batteries. Any other uses may result in risk of fire, electric shock or electrocution.
- Do not expose charger to rain or snow.
- Pull by plug rather than cord when disconnecting charger. This will reduce risk of damage to electric plug and cord.
- Make sure that cord is located so that it will not be stepped on, tripped over, or otherwise subjected to damage or stress.
- Do not use an extension cord unless it is absolutely necessary. Use of improper extension cord could result in risk of fire, electric shock, or electrocution.
- An extension cord must have adequate wire size (AWG or American Wire Gauge) for safety. The smaller the gauge number of the wire, the greater the capacity of the cable, that is 16 gauge has more capacity than 18 gauge. When using more than one extension to make up the total length, be sure each individual extension contains at least the minimum wire size.
- **Do not place any object on top of charger or place the charger on a soft surface that might block the ventilation slots and result in excessive internal heat. Place the charger in a position away from any heat source. The charger is ventilated through slots in the top and the bottom of the housing.**
- **Do not mount charger on wall or permanently affix charger to any surface. The charger is intended to use on a flat, stable surface (i.e., table top, bench top).**
- **Do not operate charger with damaged cord or plug — have them replaced immediately.**
- **Do not operate charger if it has received a sharp blow, been dropped, or otherwise damaged in any way. Take it to an authorized service center.**
- **Do not disassemble charger; take it to an authorized service center when service or repair is required. Incorrect reassembly may result in a risk of electric shock, electrocution or fire.**
- **Disconnect the charger from the outlet before attempting any cleaning. This will reduce the risk of electric shock. Removing the battery pack will not reduce this risk.**

- **NEVER attempt to connect 2 chargers together.**
- **The charger is designed to operate on standard household electrical power (120 Volts). Do not attempt to use it on any other voltage.**

SAVE THESE INSTRUCTIONS

IMPORTANT SAFETY INSTRUCTION FOR BATTERY PACKS

⚠ WARNING: For safe operation, read this manual and manuals originally supplied with tool before using the charger.

The battery pack is not fully charged out of the carton. Before using the battery pack and charger, read the safety instructions below. Then follow charging procedures outlined.

READ ALL INSTRUCTIONS

- **Do not incinerate the battery pack even if it is severely damaged or is completely worn out. The battery pack can explode in a fire. Toxic fumes and materials are created when battery packs are burned.**
- **Do not charge or use battery in explosive atmospheres, such as in the presence of flammable liquids, gases or dust. Inserting or removing the battery from the charger may ignite the dust or fumes.**
- **If battery contents come into contact with the skin, immediately wash area with mild soap and water. If battery liquid gets into the eye, rinse water over the open eye for 15 minutes or until irritation ceases. If medical attention is needed, the battery electrolyte for Lithium-Ion batteries is composed of a mixture of liquid organic carbonates and lithium salts.**
- **Contents of opened battery cells may cause respiratory irritation. Provide fresh air. If symptoms persist, seek medical attention.**
- **⚠ WARNING:** Burn hazard. Battery liquid may be flammable if exposed to spark or flame.
- Charge the battery packs only in Black & Decker chargers.
- **DO NOT splash or immerse in water or other liquids. This may cause premature cell failure.**
- Do not store or use the tool and battery pack in locations where the temperature may reach or exceed 105°F (40°C) (such as outside sheds or metal buildings in summer).
- **⚠ WARNING:** Never attempt to open the battery pack for any reason. If battery pack case is cracked or damaged, do not insert into charger. Do not crush, drop or damage battery pack. Do not use a battery pack or charger that has received a sharp blow, been dropped, run over or damaged in any way (i.e., pierced with a nail, hit with a hammer, stepped on). Damaged battery packs should be returned to service center for recycling.

⚠ WARNING: Fire hazard. Do not store or carry battery so that metal objects can contact exposed battery terminals. For example, do not place battery in aprons, pockets, tool boxes, product kit boxes, drawers, etc., with loose nails, screws, keys, etc. Transporting batteries can possibly cause fires if the battery terminals inadvertently come in contact with conductive materials such as keys, coins, hand tools and the like. The US Department of Transportation Hazardous Material Regulations (HMR) actually prohibit transporting batteries in commerce or on airplanes (i.e., packed in suitcases and carry-on luggage) UNLESS they are properly protected from short circuits. So when transporting individual batteries, make sure that the battery terminals are protected and well insulated from materials that could contact them and cause a short circuit. NOTE: Lithium-Ion batteries should not be put in checked baggage.

STORAGE RECOMMENDATIONS

1. The best storage place is one that is cool and dry away from direct sunlight and excess heat or cold.
2. Long storage will not harm the battery pack or charger.

IMPORTANT CHARGING NOTES

1. Longest life and best performance can be obtained if the battery pack is charged when the air temperature is between 65°F and 75°F (18°- 24°C). DO NOT charge the battery pack in an air temperature below +40°F (+4.5°C), or above +105°F (+40.5°C). This is important and will prevent serious damage to the battery pack.
2. The charger and battery pack may become warm to touch while charging. This is a normal condition, and does not indicate a problem. To facilitate the cooling of the battery pack after use, avoid placing the charger or battery pack in a warm environment such as in a metal shed, or an uninsulated trailer.
3. If the battery pack does not charge properly:
 - a. Check current at receptacle by plugging in a lamp or other appliance.
 - b. Check to see if receptacle is connected to a light switch which turns power off when you turn out the lights.
 - c. Move charger and battery pack to a location where the surrounding air temperature is approximately 65°F - 75°F (18°- 24°C).
 - d. If charging problems persist, take the tool, battery pack and charger to your local service center.
4. The battery pack should be recharged when it fails to produce sufficient power on jobs which were easily done previously. **DO NOT CONTINUE** to use under these conditions. Follow the charging procedure. You may also charge a partially used pack whenever you desire with no adverse affect on the battery pack.
5. Foreign materials of a conductive nature

such as, but not limited to, steel wool, aluminum foil, or any buildup of metallic particles should be kept away from charger cavities. Always unplug the charger from the power supply when there is no battery pack in the cavity. Unplug charger before attempting to clean.

6. Do not freeze or immerse charger in water or any other liquid.

⚠ WARNING: Shock hazard. Do not allow any liquid to get inside charger. **Never attempt to open the battery pack for any reason. If the plastic housing of the battery pack breaks or cracks, return to a service center for recycling.**

FUNCTIONAL DESCRIPTION Figure A

1. On/Off Trigger
2. Lock-off button
3. Shoe
4. Blade clamp release lever
5. Blade
6. Battery (not included)
7. Battery release button (on battery)
8. Main Handle
9. Secondary Gripping Handle

These products use the batteries and chargers listed in the chart below.

Description	Catalog #
20v Max** Lithium-Ion Battery:	LBXR20
20v Max** Type 1 22wh Lithium-Ion Battery:	LB20
20v Max** Lithium-Ion Battery Charger:	LCS20
Lithium 2 Amp Fast Charger:	L2AFC
Lithium 2 Amp Fast Charger:	L2AFCBST
20v Max** Lithium-Ion Battery Charger:	LCS1620

CHARGING PROCEDURE

Black & Decker chargers are designed to charge **Black & Decker** battery packs in 3-4 hours depending on the pack being charged.

1. Plug the charger into an appropriate outlet before inserting the battery pack.
2. Insert the battery pack into the charger as shown in **figure B**.
3. The green LED will flash indicating that the battery is being charged.
4. The completion of charge is indicated by the green LED remaining on continuously. The pack is fully charged and may be used at this time or left on the charger.

LEAVING THE BATTERY IN THE CHARGER

The charger and battery pack can be left connected with the green LED glowing indefinitely. The charger will keep the battery pack fresh and fully charged.

INSTALLATION AND REMOVAL OF THE BATTERY PACK

TO INSTALL BATTERY PACK: Insert battery pack into the tool until an audible click is heard (**Figure C**). Make sure battery pack is fully seated and fully latched into position.

TO REMOVE BATTERY PACK: Depress the battery release button as shown in **figure D** and pull battery pack out of the tool.

OPERATING INSTRUCTIONS

⚠ WARNING: *Always use proper eye protection that conforms to ANSI Z87.1(CAN/CSA Z94.3) while operating this power tool.*

NOTE: Before cutting any type of material, be sure it is firmly anchored or clamped to prevent slipping.

- Place blade and shoe firmly against work to be cut.
- Switch on saw motor and allow it to obtain maximum speed before starting the cut.
- Always hold saw firmly with both hands while cutting as shown in **figure D**. Whenever possible, the saw shoe must be held firmly against the material being cut. This will prevent the saw from jumping or vibrating and will minimize blade breakage.

TRIGGER SWITCH

The tool is equipped with a switch lock-off feature to prevent unintentional operation.

- To switch the tool on, press the lock off button (2), then squeeze the on/off switch (1).
- Releasing the trigger turns the motor OFF.

NOTE: This tool has no provision to lock the switch in the ON position, and should never be locked in the ON position by any other means.

BLADE CLAMP RELEASE LEVER

⚠ WARNING: *Cut hazard. Turn off and remove battery from tool before making any adjustments or removing or installing attachments or accessories.*

⚠ WARNING: *Cut hazard. Blade breakage may occur if the blade does not extend past the shoe and the workpiece during the cut. Increased risk of personal injury, as well as damage to the shoe and workpiece may result.*

TO INSTALL BLADE INTO SAW:

1. Open blade clamp release lever to its full open position as shown in **figure F**.
2. Insert blade shank from the front.
3. Close blade clamp release lever. Check to make sure blade is clamped securely.

NOTE: BLADE CAN BE INSTALLED UPSIDE-DOWN TO ASSIST IN FLUSH-CUTTING.

TO REMOVE BLADE FROM SAW:

⚠ WARNING: *Burn hazard. Do not touch the blade immediately after use. Contact with the blade may result in personal injury.*

1. Open blade clamp release lever to its full open position.
2. Remove blade.

FLUSH CUTTING (FIGURE G)

- The compact design of the reciprocating saw motor housing and pivoting shoe permit close cutting to floors, corners and other difficult areas.
- To maximize flush cutting capabilities, insert the blade shaft into the blade clamp with the teeth of the blade facing up.
- Turn the saw upside down so you are as close to the work surface as possible.

WOOD CUTTING (FIGURE H)

- Before cutting any type of wood, be sure the work piece is firmly anchored or clamped to prevent slipping.
- Place blade and shoe lightly against work to be cut.
- Switch on saw motor before applying pressure.
- Always hold saw firmly with both hands while cutting. Whenever possible, the shoe must be held firmly against the material being cut. This will prevent the saw from jumping or vibrating and minimize blade breakage.

METAL CUTTING (FIGURE I)

- Use a finer blade for ferrous metals and a coarse blade for non-ferrous materials.
- In thin gauge sheet metals it is best to clamp wood to the underside of the sheet. This will ensure a clean cut without excess vibration or tearing of metal.
- Avoid forcing cutting blade as this reduces blade life and causes costly blade breakage.

NOTE: You should spread a thin film of oil or other coolant along the line ahead of the saw cut for easier operation and longer blade life.

For cutting aluminum, kerosene is preferred.

POCKET CUTTING - WOOD ONLY (FIGURE J)

- Measure the surface area to be cut and mark clearly with a pencil, chalk or scribe.
- Insert blade in blade clamp and tighten blade clamp securely.
- Tip the saw backward until the bottom edge of the shoe is resting on the work surface.
- Switch motor on, permitting blade to attain maximum speed.
- Grip handle steadily and begin a slow, deliberate upward swing with the handle of the saw.
- The blade will begin to feed into material. Always be sure blade is completely through material before continuing with pocket cut.

NOTE: IN AREAS WHERE BLADE

VISIBILITY IS LIMITED, USE THE EDGE OF THE SHOE AS A GUIDE.

PROJECT TIPS

- Cut only with sharp blades; they cut cleaner, faster and put less strain on the motor while cutting.
- When cutting, always ensure that the

shoe is firmly against the workpiece. This will improve operator control and minimize vibration.

- For longer blade life, use bi-metal blades. These utilize a carbon steel back welded to high speed steel teeth making the blade more flexible and less prone to breaking.

TROUBLESHOOTING

<u>PROBLEM</u>	<u>POSSIBLE CAUSE</u>	<u>POSSIBLE SOLUTION</u>
• Tool will not turn on.	• Battery pack not installed properly. • Battery pack not charged.	• Check battery pack installation. • Check battery pack charging requirements.
• Battery pack will not charge.	• Battery pack not inserted into charger. • Charger not plugged in. • Surrounding air temperature too hot or too cold.	• Insert battery pack into charger until LED illuminates. • Plug charger into a working outlet. Refer to "Important Charging Notes" for more details. • Move charger and battery pack to a surrounding air temperature of above 40 degrees F (4,5°C) or below 105 degrees F (+40,5°C).
• Unit shuts off abruptly.	• Battery pack has reached its maximum thermal limit. • Out of charge. (To maximize the life of the battery pack it is designed to shutoff abruptly when the charge is depleted.)	• Allow battery pack to cool down. • Place on charger and allow to charge.

For assistance with your product, visit our website www.blackanddecker.com for the location of the service center nearest you or call the BLACK & DECKER help line at 1-800-544-6986.

MAINTENANCE

⚠WARNING: REMOVE BATTERY FROM SAW WHEN PERFORMING ANY CLEANING OR OTHER MAINTENANCE. WHEN SERVICING USE ONLY IDENTICAL REPLACEMENT PARTS.

- Avoid using solvents when cleaning plastic parts. Most plastics are susceptible to various types of commercial solvents and may be damaged by their use. Use only mild soap and damp cloth to clean the tool. Never let any liquid get inside the tool; never immerse any part of the tool into a liquid.
- When electric tools are used on fiberglass boats, sports cars, drywall etc., they are subject to accelerated wear and possible premature failure, as the fiberglass chips and grindings and drywall dust are highly abrasive to bearings, brushes, commutator, etc. During any use on fiberglass or drywall it is extremely important that the tool be cleaned frequently by blowing with an air jet.

LUBRICATION

Your tool was properly lubricated before leaving the factory. Once every year take

or send your tool to a Black & Decker service center, or authorized service station, for a complete cleaning, inspection and lubrication. Tools "out of service" for long periods should be relubricated before being put back to work.

ACCESSORIES

Your reciprocating saw will accept up to a 12 inch long blade. Always use the shortest blade suitable for your project. Longer blades are more likely to be bent or damaged during use. During operation, some longer blades may vibrate or shake if the saw is not kept in contact with the workpiece.

⚠WARNING: Since accessories, other than those offered by Black & Decker, have not been tested with this product, use of such accessories with this tool could be hazardous. To reduce the risk of injury, only Black & Decker recommended accessories should be used with this product.

A complete line of accessories is available from your Black & Decker Factory Service Center or a Black & Decker Authorized Warranty Service Center. Please visit our Web Site www.blackanddecker.com for a catalog or for the

name of your nearest supplier.

ACCESSORIES

⚠ WARNING: The use of any accessory not recommended for use with this tool could be hazardous.

Recommended accessories for use with your tool are available from your local dealer or authorized service center. If you need assistance regarding accessories, please call: **1-800-544-6986**.

THE RBRC™ SEAL

The RBRC™ (Rechargeable Battery Recycling Corporation) Seal on the lithium-ion battery (or battery pack) indicates that the costs to recycle the battery (or battery pack) at the end of its useful life have already been paid by Black & Decker. In some areas, it is illegal to place spent lithium-ion batteries in the trash or municipal solid waste stream and the RBRC program provides an environmentally conscious alternative. RBRC in cooperation with Black & Decker and other battery users, has established programs in the United States and Canada to facilitate the collection of spent lithium-ion batteries. Help protect our environment and conserve natural resources by returning the tool to an authorized Black & Decker service center for recycling. You may also contact your local recycling center for information on where to drop off the spent battery, or call **1-800-8-BATTERY**.



This Class B digital apparatus complies with Canadian ICES-003. This device complies with part 15 of the FCC rules. Operation is subject to the following two conditions: (1) This device may not cause harmful interference, and (2) this device must accept any interference received, including interference that may cause undesired operation.

NOTE: This equipment has been tested and found to comply with the limits for Class B digital device, pursuant to part 15 of the FCC Rules. These limits are designed to provide reasonable protection against harmful interference in a residential installation. This equipment generates, uses and can radiate radio frequency energy and, if not installed and used in accordance with the instructions, may cause harmful interference to radio or television reception, which can be determined by turning the equipment off and on, the user is encouraged to try to correct the interference by one or more of the following measures:

- Reorient or relocate the receiving antenna.
- Increase the separation between the equipment and the receiver.
- Connect the equipment into an outlet on

a circuit different from that to which the receiver is connected.

• Consult the dealer or an experienced radio/TV technician for help.

SERVICE INFORMATION

All Black & Decker Service Centers are staffed with trained personnel to provide customers with efficient and reliable power tool service. Whether you need technical advice, repair, or genuine factory replacement parts, contact the Black & Decker location nearest you. To find your local service location, call: **1-800-544-6986** or visit www.blackanddecker.com

LIMITED TWO-YEAR HOME USE WARRANTY

Black & Decker (U.S.) Inc. warrants this product for two years against any defects in material or workmanship. The defective product will be replaced or repaired at no charge in either of two ways. The first, which will result in exchanges only, is to return the product to the retailer from whom it was purchased (provided that the store is a participating retailer). Returns should be made within the time period of the retailer's policy for exchanges (usually 30 to 90 days after the sale). Proof of purchase may be required. Please check with the retailer for their specific return policy regarding returns that are beyond the time set for exchanges. The second option is to take or send the product (prepaid) to a Black & Decker owned or authorized Service Center for repair or replacement at our option. Proof of purchase may be required. This warranty does not apply to accessories. This warranty gives you specific legal rights and you may have other rights which vary from state to state or province to province. Should you have any questions, contact the manager of your nearest Black & Decker Service Center. This product is not intended for commercial use.

FREE WARNING LABEL

REPLACEMENT: If your warning labels become illegible or are missing, call **1-800-544-6986** for a free replacement.

LATIN AMERICA: This warranty does not apply to products sold in Latin America. For products sold in Latin America, check country specific warranty information contained in the packaging, call the local company or see the website for warranty information.



Imported by:
Black & Decker (U.S.) Inc.,
701 E. Joppa Rd.
Towson, MD 21286 U.S.A.



BLACK & DECKER®

SCIE ALTERNATIVE DE 20 V MAX.*

MANUEL D'INSTRUCTIONS

N° DE CATALOGUE BDCR20 (20V MAX*)

Merci d'avoir choisi Black & Decker! Consulter le site Web www.BlackandDecker.com/NewOwner pour enregistrer votre nouveau produit.

À LIRE AVANT DE RETOURNER CE PRODUIT POUR QUELQUE RAISON QUE CE SOIT: Si des questions ou des problèmes surgissent après l'achat d'un produit Black & Decker, consulter le site Web www.blackanddecker.com/instantanswers pour obtenir des réponses instantanément 24 heures par jour. Si la réponse est introuvable ou en l'absence d'accès à l'Internet, composer le 1 800 544-6986 de 8 h à 17 h HNE, du lundi au vendredi, pour parler avec un agent. Prière d'avoir le numéro de catalogue sous la main lors de l'appel.

**Pour l'achat d'un filtre de rechange composer le 1-888-678-7278
CONSERVER CE MODE D'EMPLOI POUR UN USAGE ULTÉRIEUR.**

*La tension initiale maximale du bloc-piles (mesurée sans charge de travail) est de 20 volts. La tension nominale est de 18.

LIGNES DIRECTRICES EN MATIÈRE DE SÉCURITÉ - DÉFINITIONS

Il est important que vous lisiez et compreniez ce mode d'emploi. Les informations qu'il contient concernent VOTRE SÉCURITÉ et visent à ÉVITER TOUT PROBLÈME. Les symboles ci-dessous servent à vous aider à reconnaître cette information.

⚠ DANGER : Indique une situation dangereuse imminente qui, si elle n'est pas évitée, causera la mort ou des graves blessures.

⚠ AVERTISSEMENT : Indique une situation potentiellement dangereuse qui, si elle n'est pas évitée, pourrait causer la mort ou de graves blessures.

⚠ MISE EN GARDE : Indique une situation potentiellement dangereuse qui, si elle n'est pas évitée, pourrait causer des blessures mineures ou modérées.

AVIS : Utilisé sans le symbole d'alerte à la sécurité, indique une situation potentiellement dangereuse qui, si elle n'est pas évitée, peut résulter en des dommages à la propriété.

AVERTISSEMENTS DE SÉCURITÉ GÉNÉRAUX POUR LES OUTILS ÉLECTRIQUES

⚠ AVERTISSEMENT : Lire tous les avertissements de sécurité et toutes les directives. Le non-respect des avertissements et des directives pourrait se solder par un choc électrique, un incendie et/ou une blessure grave.

Conserver tous les avertissements et toutes les directives pour un usage ultérieur.

Le terme «outil électrique» cité dans les avertissements se rapporte à votre outil électrique à alimentation sur secteur (avec fil) ou par piles (sans fil).

1) Sécurité du lieu de travail

a) Tenir la zone de travail propre et

bien éclairée. Les endroits sombres sont souvent des causes d'accidents.

- b) Ne pas faire fonctionner d'outils électriques dans un milieu déflagrant, soit en présence de liquides inflammables, de gaz ou de poussière. Les outils électriques produisent des étincelles qui peuvent enflammer la poussière ou les vapeurs.
- c) Éloigner les enfants et les curieux au moment d'utiliser un outil électrique. Une distraction pourrait vous en faire perdre la maîtrise.

2) Sécurité en matière d'électricité

- a) Les fiches des outils électriques doivent correspondre à la prise. Ne jamais modifier la fiche en aucune façon. Ne jamais utiliser de fiche d'adaptation avec un outil électrique mis à la terre. Le risque de choc électrique sera réduit par

l'utilisation de fiches non modifiées correspondant à la prise.

- b) **Éviter tout contact physique avec des surfaces mises à la terre comme des tuyaux, des radiateurs, des cuisinières et des réfrigérateurs.** *Le risque de choc électrique est plus élevé si votre corps est mis à la terre.*
 - c) **Ne pas exposer les outils électriques à la pluie ou à d'autres conditions où il pourrait être mouillé.** *La pénétration de l'eau dans un outil électrique augmente le risque de choc électrique.*
 - d) **Ne pas utiliser abusivement le cordon d'alimentation. Ne jamais utiliser le cordon pour transporter, tirer ou débrancher un outil électrique. Tenir le cordon éloigné de la chaleur, de l'huile, des bords tranchants ou des pièces mobiles.** *Les cordons endommagés ou emmêlés augmentent les risques de choc électrique.*
 - e) **Pour l'utilisation d'un outil électrique à l'extérieur, se servir d'une rallonge convenant à une telle utilisation.** *L'utilisation d'une rallonge conçue pour l'extérieur réduit les risques de choc électrique.*
 - f) **S'il est impossible d'éviter l'utilisation d'un outil électrique dans un endroit humide, brancher l'outil dans une prise ou sur un circuit d'alimentation dotés d'un disjoncteur de fuite à la terre (GFCI).** *L'utilisation de ce type de disjoncteur réduit les risques de choc électrique.*
- 3) **Sécurité personnelle**
- a) **Être vigilant, surveiller le travail effectué et faire preuve de jugement lorsqu'un outil électrique est utilisé. Ne pas utiliser d'outil électrique en cas de fatigue ou sous l'influence de drogues, d'alcool ou de médicaments.** *Un simple moment d'inattention en utilisant un outil électrique peut entraîner des blessures corporelles graves.*
 - b) **Utiliser des équipements de protection individuelle. Toujours porter une protection oculaire.** *L'utilisation d'équipements de protection comme un masque antipoussière, des chaussures antidérapantes, un casque de sécurité ou des protecteurs auditifs lorsque la situation le requiert réduira les risques de blessures corporelles.*
 - c) **Empêcher les démarrages intempestifs. S'assurer que l'interrupteur se trouve à la position d'arrêt avant de relier l'outil à une source d'alimentation et/ou d'insérer un bloc-piles, de ramasser ou de transporter l'outil.** *Transporter un outil électrique alors que le doigt repose sur l'interrupteur ou brancher un outil électrique dont l'interrupteur est à la position de marche risque de provoquer un accident.*
 - d) **Retirer toute clé de réglage ou clé standard avant de démarrer l'outil.** *Une clé standard ou une clé de réglage attachée à une partie pivotante peut causer des blessures.*
 - e) **Ne pas trop tendre les bras. Conserver son équilibre en tout temps.** *Cela permet de mieux maîtriser l'outil électrique dans les situations imprévues.*
 - f) **S'habiller de manière appropriée. Ne pas porter de vêtements amples ni de bijoux. Garder les cheveux, les vêtements et les gants à l'écart des pièces mobiles.** *Les vêtements amples, les bijoux ou les cheveux longs risquent de rester coincés dans les pièces mobiles.*
 - g) **Si des composants sont fournis pour le raccordement de dispositifs de dépoussiérage et de ramassage, s'assurer que ceux-ci sont bien raccordés et utilisés.** *L'utilisation d'un dispositif de dépoussiérage peut réduire les dangers engendrés par les poussières.*
- 4) **Utilisation et entretien d'un outil électrique**
- a) **Ne pas forcer un outil électrique. Utiliser l'outil électrique approprié à l'application.** *L'outil électrique approprié effectuera un meilleur travail, de façon plus sûre et à la vitesse pour laquelle il a été conçu.*
 - b) **Ne pas utiliser un outil électrique dont l'interrupteur est défectueux.** *Tout outil électrique dont l'interrupteur est défectueux est dangereux et doit être réparé.*
 - c) **Débrancher la fiche du secteur ou le bloc-piles de l'outil électrique avant de faire tout réglage ou changement d'accessoire, ou avant de ranger l'outil électrique.** *Ces mesures préventives réduisent les risques de démarrage accidentel de l'outil électrique.*
 - d) **Ranger les outils électriques hors de la portée des enfants, et ne permettre à aucune personne n'étant pas familière avec un outil électrique (ou son manuel d'instruction) d'utiliser ce dernier.** *Les outils électriques deviennent dangereux entre les mains d'utilisateurs inexpérimentés.*
 - e) **Entretenir les outils électriques. Vérifier les pièces mobiles pour s'assurer qu'elles sont bien alignées et tournent librement, qu'elles sont en bon état et ne sont affectées par aucun trouble susceptible de nuire au bon fonctionnement de l'outil électrique.** *En cas de dommage, faire réparer l'outil électrique avant toute nouvelle utilisation. Beaucoup*

d'accidents sont causés par des outils électriques mal entretenus.

f) **S'assurer que les outils de coupe sont aiguisés et propres.** *Les outils de coupe bien entretenus et affûtés sont moins susceptibles de se coincer et sont plus faciles à contrôler.*

g) **Utiliser l'outil électrique, les accessoires, les forets, etc. conformément aux présentes directives en tenant compte des conditions de travail et du travail à effectuer.** *L'utilisation d'un outil électrique pour toute opération autre que celle pour laquelle il a été conçu est dangereuse.*

5) Utilisation et entretien du bloc-piles

a) **Ne recharger l'outil qu'au moyen du chargeur précisé par le fabricant.** *L'utilisation d'un chargeur qui convient à un type de bloc-piles risque de provoquer un incendie s'il est utilisé avec un autre type de bloc-piles.*

b) **Utiliser les outils électriques uniquement avec les blocs-piles conçus à cet effet.** *L'utilisation de tout autre bloc-piles risque de causer des blessures ou un incendie.*

c) **Lorsque le bloc-piles n'est pas utilisé, le tenir éloigné des objets métalliques, notamment des trombones, de la monnaie, des clés, des clous, des vis, etc., qui peuvent établir une connexion entre les deux bornes.** *Le court-circuit des bornes du bloc-piles risque de provoquer des étincelles, des brûlures ou un incendie.*

d) **En cas d'utilisation abusive, le liquide peut gicler hors du bloc-piles, éviter tout contact. Si un contact accidentel se produit, laver à grande eau. Si le liquide entre en contact avec les yeux, obtenir des soins médicaux.** *Le liquide qui gicle hors du bloc-piles peut provoquer des irritations ou des brûlures.*

6) Réparation

a) **Faire réparer l'outil électrique par un réparateur professionnel en n'utilisant que des pièces de rechange identiques.** *Cela permettra de maintenir une utilisation sécuritaire de l'outil électrique.*

CONSIGNES DE SÉCURITÉ PARTICULIÈRES

• **Tenir l'outil électrique par sa surface de prise isolée dans une situation où l'accessoire de coupe pourrait entrer en contact avec un câble électrique dissimulé ou avec son propre cordon d'alimentation.** *Tout contact entre un fil « sous tension » et l'accessoire de coupe pourrait également mettre « sous tension » les pièces métalliques exposées de l'outil et électrocuter l'utilisateur.*

- **Utiliser des brides de fixation ou un autre dispositif de fixation permettant de fixer solidement et de soutenir la pièce sur une plateforme stable.** Tenir la pièce avec la main ou contre son corps la rend instable et risque de provoquer une perte de maîtrise de l'outil.
- **Lorsqu'on est installé sur une échelle ou un échafaudage pour travailler, on doit déposer l'outil sur le côté lorsqu'on ne s'en sert plus.** *Bien que certains outils munis d'un gros bloc-piles puissent être placés à la verticale, dans cette position, ils peuvent facilement être renversés.*
- **Tenir les mains éloignées de la zone de découpe.** Ne jamais mettre la main sous le matériau pour quelque raison que ce soit. Tenir la partie avant de la scie par sa zone de prise profilée. Ne pas mettre les doigts ou le pouce à proximité de la scie alternative et du mécanisme de serrage de la lame. Ne pas stabiliser la scie en saisissant la semelle.
- **Maintenir les lames affûtées.** Les lames émoussées peuvent faire zigzaguer la lame ou la bloquer sous la pression.
- **Être très prudent pour effectuer une coupe au-dessus de votre tête et porter une attention accrue aux fils en hauteur pouvant être cachés.** Prévoir la direction de la chute des branches et de débris.
- **Au moment de couper un tuyau ou un conduit, s'assurer qu'ils sont exempts d'eau, de câblage électrique, etc.**

⚠ AVERTISSEMENT : Toujours porter une protection auditive appropriée conformément à la norme ANSI S12.6 (S3.19) lors de l'utilisation du produit. *Dans certaines conditions et selon la durée d'utilisation, le bruit émis par ce produit pourrait contribuer à une perte auditive.*

⚠ AVERTISSEMENT :
TOUJOURS porter des lunettes de sécurité. Les lunettes de vue ne constituent PAS des lunettes de sécurité. Utiliser également un masque facial ou anti-poussière si l'opération de découpe génère de la poussière. **TOUJOURS PORTER UN ÉQUIPEMENT DE PROTECTION HOMOLOGUÉ :**

- protection oculaire conforme à la norme ANSI Z87.1 (CAN/CSA Z94.3);
- protection auditive ANSI S12.6 (S3.19);
- protection des voies respiratoires conformes aux normes NIOSH/OSHA/MSHA.

⚠ AVERTISSEMENT : certains outils électriques, tels que les sableuses, les scies, les meules, les perceuses ou certains autres outils

de construction, peuvent produire de la poussière contenant des produits chimiques reconnus par l'État de la Californie comme étant susceptibles d'entraîner le cancer, des malformations congénitales ou pouvant être nocifs pour le système reproductif. Parmi ces produits chimiques, on retrouve :

- la plomb dans les peintures à base de plomb,
 - la silice cristalline dans les briques et le ciment et autres produits de maçonnerie,
 - l'arsenic et le chrome dans le bois de sciage ayant subi un traitement chimique.
- Le risque associé à de telles expositions varie selon la fréquence avec laquelle on effectue ces travaux. Pour réduire l'exposition à de tels produits, il faut travailler dans un endroit bien aéré et utiliser le matériel de sécurité approprié, tel un masque anti-poussières spécialement conçu pour filtrer les particules microscopiques.
- Éviter tout contact prolongé avec la poussière soulevée par cet outil ou autres outils électriques. Porter des vêtements de protection et nettoyer les parties exposées du corps à l'eau savonneuse. S'assurer de bien se protéger afin d'éviter d'absorber par la bouche, les yeux ou la peau des produits chimiques nocifs.

⚠ AVERTISSEMENT : Cet outil peut produire et répandre de la poussière susceptible de causer des dommages sérieux et permanents au système respiratoire. Toujours utiliser un appareil respiratoire anti-poussières approprié approuvé par le NIOSH ou l'OSHA. Diriger les particules dans le sens opposé du visage et du corps.

⚠ AVERTISSEMENT : Ne pas utiliser cet outil pendant des périodes prolongées. Les vibrations causées par l'action de fonctionnement de l'outil peuvent blesser en permanence les doigts, les mains et les bras. Porter des gants pour amortir les vibrations, faire des pauses fréquentes et limiter le temps d'utilisation quotidien de l'outil.

CONSERVER CES DIRECTIVES

SYMBOLES

L'étiquette apposée sur votre outil pourrait comprendre les symboles suivants et leurs définitions sont indiqués ci-après :

V..... volts
 A..... ampères
 Hz..... hertz
 W..... watts

min..... minutes
 ~ courant alternatif
 == courant continue
 non..... régime à vide
 ☐ Construction classe II
 ⊕ borne de terre
 ⚠ symbole d'alerte à la sécurité
 ...min or ipm.....révolutions ou alternance par minute

- 🔌 Lire le mode d'emploi avant l'utilisation
- 👤 Utiliser une protection respiratoire adéquate.
- 👁 Utiliser une protection oculaire adéquate.
- 👂 Utiliser une protection auditive adéquate.

DIRECTIVES DE SÉCURITÉ IMPORTANTES POUR LES CHARGEURS DE PILES CONSERVER CES DIRECTIVES :

ce mode d'emploi comprend d'importantes directives de sécurité pour les chargeurs de piles.

- Avant d'utiliser le chargeur, lire toutes les directives et tous les avertissements figurant sur le chargeur, le bloc-piles et le produit utilisé avec le bloc-piles.

⚠ AVERTISSEMENT : risque de choc électrique. Éviter la pénétration de tout liquide dans le chargeur.

⚠ MISE EN GARDE : risque de brûlure. Pour réduire le risque de blessures, charger uniquement des piles Black & Decker conseillées. D'autres types de piles peuvent exploser et provoquer des blessures corporelles et des dommages.

⚠ MISE EN GARDE : dans certaines circonstances, lorsque le chargeur est branché au bloc d'alimentation, le chargeur peut être court-circuité par des corps étrangers conducteurs tels que, mais sans s'y limiter, la laine d'acier, le papier d'aluminium ou toute accumulation de particules métalliques. Ils doivent être maintenus à distance des ouvertures du chargeur. Débrancher systématiquement celui-ci si aucun bloc-piles n'y est inséré. Débrancher le chargeur avant tout nettoyage.

- NE PAS tenter de charger le bloc-piles avec autre chose qu'un chargeur de marque. Les chargeurs et blocs-piles sont conçus spécialement pour fonctionner ensemble.
- Ces chargeurs ne sont pas destinés à être utilisés à d'autres fins que celles

de charger les piles rechargeables conseillées Black & Decker. Toute autre utilisation risque de provoquer un incendie, un choc électrique ou une électrocution.

- **Protéger le chargeur de la pluie et de la neige.**
- **Tirer la fiche plutôt que le cordon pour débrancher le chargeur ou pour débrancher les cordons à l'aide de la fonction de guirlande.** *Cela permet de réduire le risque d'endommager la fiche ou le cordon d'alimentation.*
- **S'assurer que le cordon est situé en lieu sûr de manière à ce que personne ne marche ni ne trébuche dessus ou à ce qu'il ne soit pas endommagé ni soumis à une tension.**
- **Ne pas utiliser de rallonge à moins que cela ne soit absolument nécessaire.** *L'utilisation d'une rallonge inadéquate risque d'entraîner un incendie, un choc électrique ou une électrocution.*
- En cas d'utilisation d'une rallonge, s'assurer que les valeurs nominales de la rallonge utilisée correspondent bien à celles de l'outil alimenté. L'usage d'une rallonge de calibre insuffisant causera une chute de tension entraînant perte de puissance et surchauffe. Le tableau ci-dessous illustre les calibres à utiliser selon la longueur de rallonge et l'intensité nominale indiquée sur la plaque signalétique. En cas de doutes, utiliser le calibre suivant. Plus le calibre est petit, plus la rallonge peut supporter de courant.

Calibre de fil minimum recommandé pour les rallonges			
Tension	Longueur totale du cordon en pieds		
120V	0-25 (0-7,6m)	26-50 (7,6-15,2m)	51-100 (15,2-30,4m)
			101-150 (30,4-45,7m)
Intensité (A)	Calibre moyen des fils (AWG)		
Au moins	Au plus		
0 - 6	18	16	16 ^{plus} 14

- **Ne pas mettre d'objet sur le chargeur ni mettre ce dernier sur une surface souple, ce qui pourrait causer l'obstruction des fentes de ventilation et, du fait, provoquer une chaleur interne excessive.** Éloigner le chargeur de toute source de chaleur. La ventilation du chargeur se fait par les fentes pratiquées dans les parties supérieures et inférieures du boîtier.
- **Ne pas installer le chargeur sur un mur ni le fixer de manière permanente sur toute surface.** Le chargeur est destiné à une utilisation sur une surface plane et stable (c.-à-d. un dessus de table ou d'établi).
- **Ne pas faire fonctionner le chargeur si la fiche ou le cordon est endommagé; les remplacer immédiatement.**
- **Ne jamais se servir d'un chargeur qui a subi un choc violent, qui est tombé par terre ou qui est endommagé de quelque manière que ce soit.** Le faire vérifier dans un centre de réparation autorisé.

- **Ne pas démonter le chargeur; confier l'entretien ou la réparation de l'appareil à un centre de réparation autorisé.** Le remontage non conforme du chargeur comporte des risques de choc électrique, d'électrocution ou d'incendie.
- **Débrancher le chargeur avant de le nettoyer.** Cela réduira le risque de choc électrique. Le risque ne sera pas éliminé en enlevant simplement le bloc-piles.
- **NE JAMAIS relier deux chargeurs ensemble.**
- **Le chargeur est conçu pour être alimenté en courant domestique standard (120 V).** Ne pas utiliser une tension supérieure pour le chargeur.

CONSERVER CES DIRECTIVES

DIRECTIVES DE SÉCURITÉ IMPORTANTES POUR LES BLOCS-PILES

- ⚠ **AVERTISSEMENT : pour un fonctionnement sûr, lire le présent mode d'emploi et les manuels fournis avec l'outil avant d'utiliser le chargeur.**

Le bloc-piles n'est pas complètement chargé à la sortie de l'emballage. Avant d'utiliser le bloc-piles et le chargeur, lire les directives de sécurité ci-après. Respecter ensuite les consignes de chargement décrites.

LIRE TOUTES LES DIRECTIVES.

- **Ne pas incinérer le bloc-piles, même s'il est très endommagé ou complètement usé, car il peut exploser au contact de flammes.** Des vapeurs et des matières toxiques sont dégagées lorsque les blocs-piles sont incinérés.
- **Ne pas charger ou utiliser un bloc-piles dans un milieu déflagrant, en présence de liquides, de gaz ou de poussière inflammables.** Insérer ou retirer un bloc-piles du chargeur peut enflammer de la poussière ou des émanations.
- **Si le contenu de la pile entre en contact avec la peau, laver immédiatement la zone touchée au savon doux et à l'eau.** Si le liquide de la pile entre en contact avec les yeux, rincer l'oeil ouvert à l'eau pendant 15 minutes ou jusqu'à ce que l'irritation cesse. Si des soins médicaux sont nécessaires, l'électrolyte des piles au Lithium-Ion est composé d'un mélange de carbonates organiques liquides et de sels de lithium.
- **Le contenu des cellules de pile ouvertes peut provoquer une irritation respiratoire. Exposer la personne à de l'air frais.** Si les symptômes persistent, obtenir des soins médicaux.

- ⚠ **AVERTISSEMENT : risque de brûlure. Le liquide du bloc-piles peut s'enflammer s'il est exposé à des**

étincelles ou à une flamme.

- **Charger les blocs-piles uniquement au moyen de chargeurs Black & Decker.**
- **NE PAS éclabousser le bloc-piles ou l'immerger dans l'eau ou tout autre liquide.** Cela peut entraîner une défaillance prématurée de l'élément.
- **Ne pas ranger ni utiliser l'outil et le bloc-piles dans un endroit où la température peut atteindre ou dépasser les 40 °C (105 °F) (comme dans les remises extérieures ou les bâtiments métalliques en été).**

⚠ **AVERTISSEMENT** : ne jamais ouvrir le bloc-piles pour quelque raison que ce soit. Si le boîtier du bloc-piles est fissuré ou endommagé, ne pas l'insérer dans un chargeur. Ne pas écraser, faire tomber ou endommager le bloc-piles. Ne pas utiliser un bloc-piles ou un chargeur qui a reçu un choc violent, qui est tombé, a été écrasé ou est endommagé de quelque manière que ce soit (p. ex. percé par un clou, frappé d'un coup de marteau, piétiné). Les blocs-piles endommagés doivent être envoyés au centre de réparation pour être recyclés.

⚠ **AVERTISSEMENT** : risque d'incendie. Ne pas ranger ou transporter les piles de manière à ce que des objets métalliques puissent entrer en contact avec les bornes exposées des piles. Par exemple, ne pas mettre un bloc-piles dans un tablier, une poche, une boîte à outils, une boîte de nécessaire de produit ou un tiroir contenant des objets tels que des clous, des vis ou des clés, car tout contact accidentel entre les bornes à découvert et un objet métallique conducteur comme une clé, une pièce de monnaie, un outil à main, etc. risque de provoquer un incendie. La Hazardous Material Regulations (réglementation sur les produits dangereux) du département américain des transports interdit en fait le transport des blocs-piles pour le commerce et dans les avions (c.-à-d. dans des valises et les bagages à main) À MOINS qu'ils ne soient bien protégés contre les courts-circuits. Pour le transport de piles individuelles, on doit donc s'assurer que les bornes sont protégées et bien isolées contre toute matière pouvant entrer en contact avec elles et provoquer un court-circuit.

REMARQUE : il ne faut pas laisser de piles au Lithium-Ion dans les bagages enregistrés.

RECOMMANDATIONS EN MATIÈRE DE RANGEMENT

1. Le meilleur endroit de rangement est celui qui est frais et sec, loin de toute lumière directe du soleil et protégé d'une température extrême (chaleur ou froid).
2. Un entreposage prolongé ne nuira pas au bloc-piles ou au chargeur.

DESCRIPTION FONCTIONNELLE

FIGURE A

1. Interrupteur marche/arrêt
2. Bouton de verrouillage
3. Semelle
4. Levier de dégagement de la bride de lame
5. Lame
6. Bloc-pile (non compris)
7. Bouton de dégagement du bloc-pile (sur le bloc-pile)
8. Poignée principale
9. Poignée secondaire

Ces produits peuvent être utilisés avec les modèles de blocs-piles et de chargeurs énumérés dans le tableau ci-après.

Description	N° de catalogue
Bloc-piles au lithium-ion de 20 V max.**:	LBXR20
Bloc-piles au lithium-ion de type 1 de 20 V max.**; 22 Wh :	LB20
Chargeur de bloc-piles au lithium-ion de 20 V max.**:	LGS20
Chargeur rapide pour bloc-piles au lithium-ion de 2 A :	L2AFC
Chargeur rapide pour bloc-piles au lithium-ion de 2 A :	L2AFCBST
Bloc-piles au lithium-ion de 20 V max.**:	LCS1620

PROCÉDURE DE CHARGE

Les chargeurs **Black & Decker** sont conçus pour charger les blocs-piles **Black & Decker** dans un délai de 3 à 4 heures selon le bloc-piles à charger.

1. Brancher le chargeur dans une prise appropriée avant d'insérer le bloc-piles).
2. Insérer le bloc-piles dans le chargeur (**Figure B**).
3. Le voyant DEL vert clignotera indiquant ainsi que le bloc-piles est en cours de charge.
4. La fin de la charge est indiquée par le voyant DEL vert qui demeure allumé. Le bloc-piles est chargé à plein et peut être utilisé à ce moment-ci ou laissé sur le chargeur.

Recharger les piles épuisées aussitôt que possible après leur utilisation pour prolonger leur durée de vie. Pour préserver le plus possible la durée de vie du bloc-piles, ne pas le décharger tout à fait. Il est recommandé de recharger le bloc-piles après chaque utilisation.

REMARQUES IMPORTANTES POUR LE CHARGEMENT

1. Pour augmenter la durée de vie du bloc-piles et optimiser son rendement, le charger à une température entre 18 et 24 °C (65 et 75 °F). NE PAS charger le bloc-piles à des températures inférieures à 4,5 °C (40 °F) ou supérieures à 40,5 °C (105 °F). Ces consignes sont importantes et permettent d'éviter d'endommager gravement le bloc-piles.
2. Le chargeur et le bloc-piles peuvent

devenir chauds au toucher pendant la charge. Il s'agit d'un état normal et cela n'indique pas un problème. Pour faciliter le refroidissement du bloc-piles après son utilisation, éviter de mettre le chargeur ou le bloc piles dans un endroit chaud comme dans une remise métallique ou une remorque non isolée.

3. Si le bloc-piles ne se charge pas adéquatement, on doit :

- vérifier le courant à la prise en branchant une lampe ou un autre appareil électrique;
- vérifier si la prise est reliée à un interrupteur mural qui la met hors tension lorsque la lumière sont éteinte;
- déplacer le chargeur et le bloc-piles dans un endroit où la température ambiante est entre 18 et 24 °C (65 et 75 °F);
- si le problème persiste, apporter ou envoyer l'outil, le bloc-piles et le chargeur au centre de réparation de votre région.

4. Le bloc-piles doit être rechargé lorsqu'il n'arrive pas à produire suffisamment de puissance pour des travaux qui étaient facilement réalisés auparavant. NE PAS CONTINUER à utiliser le bloc-piles dans ces conditions. Suivre les procédures de charge. On peut également recharger à tout moment un bloc-piles partiellement déchargé sans nuire à son fonctionnement.

5. Tout corps étranger conducteur, tel que notamment la laine d'acier, le papier d'aluminium, ou toute accumulation de particules métalliques, doit être maintenu à distance des ouvertures du chargeur. Débrancher systématiquement celui-ci si aucun bloc-piles n'y est inséré. Débrancher le chargeur avant tout nettoyage.

6. Ne pas congeler le chargeur, l'immerger ans l'eau ou dans tout autre liquide.

⚠ AVERTISSEMENT : risque de choc électrique. Ne *jamais ouvrir le bloc-piles pour quelque raison que ce soit. Si le boîtier en plastique du bloc-piles est brisé ou fissuré, le retourner à un centre de réparation pour qu'il soit recyclé.*

INSERTION ET RETRAIT DU BLOC-PILES DE L'OUTIL

⚠ MISE EN GARDE : *S'assurer que le bouton de verrouillage est bien engagé pour empêcher l'utilisation de l'interrupteur lors de la pose et du retrait du bloc-piles.*

INSERTION DU BLOC-PILES : insérer le bloc-piles dans l'outil, comme montré à la **figure C**.

RETRAIT DU BLOC-PILES : Enfoncer le bouton de dégagement du bloc-piles, comme montré à la **figure D**, puis retirer le bloc-piles de l'outil.

FONCTIONNEMENT

⚠ AVERTISSEMENT : *toujours utiliser une protection oculaire appropriée conforme à la norme ANSI Z87.1 (CAN/CSA Z94.3) lors de l'utilisation de cet outil électrique.*

- REMARQUE :** avant de couper tout matériau, s'assurer que ce dernier est bien ancré ou serré dans un étau pour éviter tout glissement.
- Appuyer légèrement la lame et la semelle contre la pièce à couper.
 - Mettre le moteur de la scie en marche et attendre pour atteindre la vitesse maximale avant d'exercer une pression.
 - Toujours tenir la scie fermement des deux mains lors de la coupe, comme montré à la **figure E**. Autant que possible, la semelle de la scie doit être solidement appuyée contre le matériau à couper. Cela évitera tout écart ou vibration de la scie et minimisera le bris de lame.

DÉTENTE

Dégager le mécanisme de verrouillage en commutant en position de déverrouillage, comme montré à la **figure E**. Enfoncer la détente pour mettre le moteur en marche. La relâcher et le moteur s'arrête.

REMARQUE : cet outil n'est doté d'aucun dispositif permettant de verrouiller l'interrupteur à la position de MARCHE; il ne doit donc jamais être verrouillé à cette position par quelque moyen que ce soit.

LEVIER DE DÉGAGEMENT DE LA BRIDE DE LAME

⚠ AVERTISSEMENT : Risque de coupure. *Éteindre l'outil et le débrancher avant d'effectuer tout réglage et d'enlever ou d'installer tout accessoire.*

⚠ AVERTISSEMENT : Risque de coupure. *Un bris de lame est possible si la lame ne dépasse pas la semelle et la pièce en cours de coupe. Un bris de lame représente un risque accru de blessures personnelles ainsi que de dommages à la semelle et à la pièce.*

Pour insérer une lame dans la scie :

- Ouvrir le levier de dégagement de la bride de lame de manière à l'ouvrir complètement, comme le montre la **figure F**.
 - Insérer la queue de la lame par l'avant.
 - Fermer le levier de dégagement de la bride de lame. Vérifiez pour s'assurer que la lame est maintenue solidement.
- REMARQUE :** La lame s'insère aussi en position inverse pour aider à couper bien ras.

Pour retirer la lame de la scie :

⚠ AVERTISSEMENT : Risque de brûlure. Ne pas toucher à la lame immédiatement après usage. Un contact avec la lame risque de provoquer une blessure corporelle.

1. Ouvrir complètement le levier de dégagement de la bride de lame.
2. Déposer la lame.

COUPE À RAS (FIGURE G)

- Le modèle compact du boîtier du moteur et de la semelle pivotante de la scie alternative permet une coupe à ras aux planchers, dans les coins et dans tous les autres endroits difficiles d'accès.
- Pour accroître la possibilité de coupe à ras, insérer l'arbre de la lame dans la bride de lame de manière à ce que les dents de la lame soient vers le haut.
- Inverser la scie de manière à être aussi près que possible de la surface de la pièce.

COUPE DU BOIS (FIGURE H)

- Avant de couper tout type de bois, s'assurer que la pièce est bien ancrée ou serrée dans un état pour éviter tout glissement.
- Appuyer légèrement la lame et la semelle contre la pièce à couper.
- Mettre en marche le moteur de la scie avant d'appliquer toute pression.
- Toujours tenir fermement l'outil avec les deux mains en cours de découpe. Autant que possible, la semelle doit être solidement appuyée contre le matériau à couper. Cela évite tout écart ou vibration de la scie et réduira le bris de lame.

COUPE DE MÉTAUX (FIGURE I)

- Utiliser une lame plus fine pour les métaux ferreux et une lame pour grossière pour les matériaux non ferreux.
- Pour la tôle de fin calibre, il est préférable de serrer un morceau de bois au dessous de la tôle. Cela permet d'assurer une coupe nette sans vibration excessive ou déchirure de la tôle.
- Éviter de forcer la lame de coupe, car cela réduit sa durée de vie et provoque des bris de lame coûteux.

REMARQUE : il serait mieux d'étendre un mince film d'huile ou de tout autre fluide de refroidissement le long de la ligne devant le trait de scie pour faciliter le fonctionnement de l'outil et accroître la durée de vie de la lame. Il est préférable d'utiliser du kérosène pour couper l'aluminium.

DÉCOUPE EN POCHE – BOIS SEULEMENT (FIGURE J)

- Mesurer la zone à couper et la marquer clairement avec un crayon, une craie ou une pointe à tracer.

- Insérer la lame dans sa bride, puis bien serrer cette dernière.
- Incliner la scie vers l'arrière jusqu'à ce que le bord arrière de la semelle repose contre la pièce.
- Mettre le moteur en marche et laisser la lame atteindre sa vitesse maximale.
- Saisir la poignée de la scie de manière constante et imprimer un mouvement ascendant lent.
- La lame pénétrera dans le matériau. Toujours s'assurer que la lame a bien transpercé tout le matériau avant de continuer la coupe en poche.

REMARQUE : dans les endroits où la visibilité de la lame est limitée, utiliser le bord de la semelle comme guide.

CONSEILS POUR LES PROJETS

- Effectuer une coupe uniquement au moyen de lames affûtées, la coupe est plus nette, plus rapide et l'effort subi par le moteur est moindre durant la coupe.
- Pour effectuer une coupe, toujours s'assurer que la semelle repose contre la pièce. Cela permet à l'opérateur d'avoir une plus grande maîtrise et de réduire les vibrations.
- Pour assurer une durée de vie accrue à la lame, utiliser des lames bimétalliques. Cette lame est constituée d'acier au carbone soudé à l'envers sur les dents en acier à coupe rapide, ce qui rend la lame plus flexible et donc moins sujette à se briser.

ENTRETIEN

RETIRER LE BLOC-PILE DE LA SCIE POUR EFFECTUER TOUT NETTOYAGE OU AUTRE ENTRETIEN. EN CAS DE RÉPARATION, UTILISER UNIQUEMENT DES PIÈCES DE RECHANGE IDENTIQUES.

- Éviter l'utilisation de solvants pour nettoyer les pièces de plastique. La plupart des plastiques sont sensibles aux différents types de solvants commerciaux et risquent d'être endommagés par l'utilisation de solvants. N'utiliser qu'un détergent doux et un chiffon humide pour nettoyer l'outil. Ne jamais laisser de liquide pénétrer dans l'outil et n'immerger aucune partie de l'outil dans un liquide.
- Les outils électriques utilisés sur des bateaux en fibre de verre, des voitures sport, des cloisons sèches, etc. subissent une usure accélérée et peuvent présenter une défaillance prématurée, car les copeaux de fibre de verre, les particules de meulage et la poussière de cloison sèche sont hautement abrasifs pour les roulements, les balais, le collecteur, etc. Durant l'utilisation de l'outil sur de la fibre de verre ou une cloison sèche, il est très important que l'outil soit fréquemment nettoyé par jet d'air.

DÉPANNAGE

PROBLÈME	CAUSE POSSIBLE	SOLUTION POSSIBLE
• Ne fonctionne	• Mauvaise installation du bloc-piles. • Bloc-piles non chargée.	• Vérifier l'installation du bloc-piles. • Vérifier les exigences de charge pour le bloc-piles.
• Le bloc-piles ne se charge pas.	• Bloc-piles non insérée dans le chargeur. • Chargeur non branché. • Température ambiante trop chaude ou froide	• Insérer le bloc-piles dans le chargeur de sorte que le voyant DEL vert apparaisse. • Brancher le chargeur dans une prise qui fonctionne. Se reporter à la rubrique « Remarques importantes de chargement » pour plus de renseignements. • Déplacer le chargeur et l'outil à une température ambiante de plus de 4.5 °C (40 °F) ou sous les 40.5 °C (105 °F).
• L'appareil s'éteint soudainement.	• Le bloc-piles a atteint sa limite thermique maximale. • Bloc-piles épuisé. (Pour maximiser la durée de vie du bloc-piles, celui-ci est conçu pour s'éteindre soudainement lorsqu'il est épuisé.)	• Laisser le bloc-piles refroidir. • Placer dans le chargeur le temps d'une charge.

Pour de l'aide avec l'outil, consulter notre site Web www.blackanddecker.com pour l'emplacement du centre de réparation le plus près ou communiquer avec l'assistance BLACK & DECKER au **1-800-544-6986**.

LUBRIFICATION

L'outil a été parfaitement lubrifié avant de quitter l'usine. Chaque année, apporter ou envoyer l'outil à un centre de réparation Black-Decker ou à un centre de réparation autorisé pour subir un nettoyage complet, une inspection et une lubrification. Les outils « inutilisés » pendant une longue période doivent être lubrifiés de nouveau avant d'être réutilisés.

Cet appareil numérique de la classe B est conforme à la norme NMB-003 du Canada. Cet appareil est conforme aux dispositions du paragraphe 15 des règlements de la FCC. Son fonctionnement est régi par les deux conditions suivantes : (1) Cet appareil ne peut pas causer d'interférence nuisible et (2) cet appareil doit accepter toutes les interférences reçues, y compris celles qui risquent d'en gêner le fonctionnement.

REMARQUE : ce matériel a été testé et a été déclaré conforme aux limites en vigueur concernant les dispositifs numériques de classe B, en vertu de la partie 15 de la réglementation FCC. Ces limites visent à assurer une protection

raisonnable contre tout brouillage nuisible dans une installation résidentielle. Ce matériel produit, consomme et peut émettre une énergie de radiofréquence et, s'il n'est pas installé et utilisé conformément aux directives qui l'accompagnent, il peut entraîner un brouillage nuisible des communications radio. Cependant, nous ne garantissons pas l'absence de brouillage dans tous les types d'environnement. Si, après avoir effectué une vérification en mettant l'appareil hors tension puis sous tension, l'utilisateur s'aperçoit que ce matériel provoque un brouillage nuisible à la réception des signaux de radio ou de télévision, il lui faudra essayer de corriger ce brouillage en prenant une ou plusieurs des mesures ci-dessous :

- Réorienter ou repositionner l'antenne de réception.
- Éloigner le plus possible le matériel du récepteur.
- Brancher le matériel dans une prise électrique située sur un circuit différent de celui du récepteur.
- Consulter le distributeur ou un technicien radio/télévision expérimenté pour obtenir de l'aide.

Tout changement ou toute modification à cet appareil qui n'est pas expressément approuvé par l'institution responsable de la conformité peut faire annuler le droit de l'utilisateur d'utiliser ce matériel. Cet appareil numérique de la classe B est conforme à la norme NMB-003 du Canada.

ENTRETIEN

Nettoyer l'outil seulement à l'aide d'un savon doux et d'un linge humide. Ne laisser aucun liquide s'infiltrer dans l'outil et ne jamais immerger l'outil.

IMPORTANT : Pour assurer la SÉCURITÉ D'EMPLOI et la FIABILITÉ de l'outil, n'en confier la réparation, l'entretien et les rajustements qu'à un centre de service ou à un atelier d'entretien autorisé n'utilisant que des pièces de rechange identiques.

ACCESSOIRES

⚠ AVERTISSEMENT : *L'utilisation de tout accessoire non recommandé pour l'outil peut être dangereuse. Les détaillants et le centre de service de la région vendent les accessoires recommandés pour l'outil. Pour trouver un accessoire, composer le 1 800 544-6986.*

LE SCEAU RBRC™

Le sceau SRPRC™ (Société de Recyclage des Piles Rechargeables au Canada) sur la pile lithium-ion (ou sur le bloc-piles) indique que son coût de recyclage (ou celui du bloc-piles) à la fin de sa vie utile sera payé par Black & Decker. Dans certaines régions, il est illégal de jeter les piles lithium-ion dans les poubelles ou dans le système municipal d'évacuation des résidus solides. Le programme RBRC représente donc une alternative sensibilisée à l'environnement.

La SRPRC en collaboration avec Black & Decker et d'autres utilisateurs de piles ont établi aux États-Unis et au Canada des programmes facilitant la cueillette des piles lithium-ion épuisées. Aidez-nous à protéger l'environnement et à conserver nos ressources naturelles en retournant l'outil à un centre de réparation Black & Decker pour qu'elles soient recyclées. Vous pouvez aussi communiquer avec votre centre local de recyclage qui vous fera part du lieu de disposition de vos batteries épuisées ou composer le numéro **1-800-8-BATTERY**.

INFORMATION SUR LES REPARATIONS

Tous les centres de réparation Black & Decker sont dotés de personnel qualifié en matière d'outillage électrique; ils sont donc en mesure d'offrir à leur clientèle un service efficace et fiable. Que ce soit pour un avis technique, une réparation ou des pièces de rechange authentiques installées en usine, communiquer avec l'établissement

Black & Decker le plus près de chez vous. Pour trouver l'établissement de réparation de votre région, consulter le site www.blackanddecker.com

GARANTIE LIMITÉE DE DEUX ANS POUR UNE UTILISATION DOMESTIQUE

Black & Decker (É.-U.) Inc. garantit ce produit pour une durée de deux ans contre tout défaut de matériau ou de fabrication. Le produit défectueux sera remplacé ou réparé sans frais de l'une des deux façons suivantes : La première façon consiste en un simple échange chez le détaillant qui l'a vendu (pourvu qu'il s'agisse d'un détaillant participatif). Tout retour doit se faire durant la période correspondant à la politique d'échange du détaillant (habituellement, de 30 à 90 jours après l'achat). Une preuve d'achat peut être requise. Vérifier auprès du détaillant pour connaître sa politique concernant les retours hors de la période définie pour les échanges. La deuxième option est d'apporter ou d'envoyer le produit (transport payé d'avance) à un centre de réparation autorisé ou à un centre de réparation de Black & Decker pour faire réparer ou échanger le produit, à notre discrétion. Une preuve d'achat peut être requise. . Cette garantie ne s'applique pas aux accessoires. Cette garantie vous accorde des droits légaux spécifiques et vous pourriez avoir d'autres droits qui varient d'un État ou d'une province à l'autre. Pour toute question, communiquer avec le directeur du centre de réparation Black & Decker le plus près de chez vous. Ce produit n'est pas destiné à un usage commercial.

REPLACEMENT GRATUIT DES ÉTIQUETTES D'AVERTISSEMENT : si les étiquettes d'avertissement deviennent illisibles ou sont manquantes, composer le **1-800-544-6986** pour en obtenir le remplacement gratuit.

AMÉRIQUE LATINE : cette garantie ne s'applique pas aux produits vendus en Amérique latine. Pour ceux-ci, veuillez consulter les informations relatives à la garantie spécifique présente dans l'emballage, appeler l'entreprise locale ou consulter le site Web pour les informations relatives à cette garantie.

Imported by / Importé par
Black & Decker Canada Inc.
100 Central Ave.
Brockville (Ontario) K6V 5W6



BLACK & DECKER®

SIERRA ALTERNATIVA DE 20 V MÁX*

MANUAL DE INSTRUCCIONES

CATÁLOGO N° BDCR20 (20V MAX*)

LEA EL MANUAL ANTES DE DEVOLVER ESTE PRODUCTO POR CUALQUIER MOTIVO:

Si tiene una consulta o algún inconveniente con su producto Black & Decker, visite <http://www.blackanddecker.com/instantanswers> para obtener respuestas instantáneas las 24 horas del día. Si no encuentra la respuesta o no tiene acceso a Internet, llame al 1-800-544-6986 de lunes a viernes de 8 a. m. a 5 p. m. hora del Este para hablar con un agente. Cuando llame, tenga a mano el número de catálogo.

CONSERVE ESTE MANUAL PARA FUTURAS CONSULTAS. SÓLO PARA USO DOMÉSTICO.

*El máximo voltaje inicial del paquete de baterías (medido sin una carga de trabajo) es 20 voltios. La tensión nominal es de 18.

PAUTAS DE SEGURIDAD/DEFINICIONES

Es importante que lea y comprenda este manual. La información que contiene se relaciona con la protección de SU SEGURIDAD y la PREVENCIÓN DE PROBLEMAS. Los símbolos que siguen se utilizan para ayudarlo a reconocer esta información.

⚠ PELIGRO: indica una situación de peligro inminente que, si no se evita, provocará la muerte o lesiones graves.

⚠ ADVERTENCIA: indica una situación de peligro potencial que, si no se evita, provocará la muerte o lesiones graves.

⚠ PRECAUCIÓN: indica una situación de peligro potencial que, si no se evita, provocará lesiones leves o moderadas.

PRECAUCIÓN: utilizado sin el símbolo de alerta de seguridad indica una situación de peligro potencial que, si no se evita, puede provocar daños en la propiedad.

ADVERTENCIAS GENERALES DE SEGURIDAD PARA HERRAMIENTAS ELÉCTRICAS

⚠ ADVERTENCIA: Lea todas las advertencias de seguridad e instrucciones. El incumplimiento de las advertencias e instrucciones puede provocar descargas eléctricas, incendios o lesiones graves. **Conserve todas las advertencias e instrucciones para futuras consultas.**

El término "herramienta eléctrica" incluido en las advertencias hace referencia a las herramientas eléctricas operadas con corriente (con cable eléctrico) o a las herramientas eléctricas operadas con baterías (inalámbricas).

1) Seguridad en el área de trabajo

- Mantenga el área de trabajo limpia y bien iluminada. Las áreas abarrotadas y oscuras propician accidentes.

- No opere herramientas eléctricas en atmósferas explosivas, como ambientes donde se encuentran líquidos, gases o polvo inflamables. Las herramientas eléctricas originan chispas que pueden encender el polvo o los vapores.

- Mantenga a los niños y espectadores alejados de la herramienta eléctrica en funcionamiento. Las distracciones pueden provocar la pérdida de control.

2) Seguridad eléctrica

- Los enchufes de la herramienta eléctrica deben adaptarse al tomacorriente. Nunca modifique el enchufe de ninguna manera. No utilice ningún enchufe adaptador con herramientas eléctricas con conexión a tierra. Los enchufes no modificados y que se adaptan a los tomacorrientes reducirán el riesgo de descarga eléctrica.

- b) **Evite el contacto corporal con superficies puestas a tierra, como por ejemplo tuberías, radiadores, rangos y refrigeradores.** *Existe mayor riesgo de descarga eléctrica si su cuerpo está puesto a tierra.*
- c) **No exponga las herramientas eléctricas a la lluvia o a condiciones de humedad.** *Si ingresa agua a una herramienta eléctrica, aumentará el riesgo de descarga eléctrica.*
- d) **No maltrate al cable. Nunca utilice el cable para transportar, tirar o desenchufar la herramienta eléctrica.** *Mantenga el cable lejos del calor, aceite, bordes afilados o piezas móviles. Los cables dañados o enredados aumentan el riesgo de descarga eléctrica.*
- e) **Al operar una herramienta eléctrica en el exterior, utilice un cable prolongador adecuado para tal uso.** *Utilice un cable adecuado para uso en exteriores a fin de reducir el riesgo de descarga eléctrica.*
- f) **Si el uso de una herramienta eléctrica en un lugar húmedo es imposible de evitar, utilice un suministro protegido con un interruptor de circuito por falla a tierra (GFCI).** *El uso de un GFCI reduce el riesgo de descargas eléctricas.*
- 3) Seguridad personal**
- a) **Permanezca alerta, controle lo que está haciendo y utilice el sentido común cuando emplee una herramienta eléctrica.** *No utilice una herramienta eléctrica si está cansado o bajo el efecto de drogas, alcohol o medicamentos. Un momento de descuido mientras se opera una herramienta eléctrica puede provocar lesiones personales graves.*
- b) **Utilice equipos de protección personal. Siempre utilice protección para los ojos.** *En las condiciones adecuadas, el uso de equipos de protección, como máscaras para polvo, calzado de seguridad antideslizante, cascos o protección auditiva, reducirá las lesiones personales.*
- c) **Evite el encendido por accidente. Asegúrese de que el interruptor esté en la posición de apagado antes de conectarlo a la fuente de energía o paquete de baterías, o antes de levantar o transportar la herramienta.** *Transportar herramientas eléctricas con el dedo apoyado en el interruptor o enchufar herramientas eléctricas con el interruptor en la posición de encendido puede propiciar accidentes.*
- d) **Retire las clavijas de ajuste o llaves de tuercas antes de encender la herramienta eléctrica.** *Una llave de tuercas o una clavija de ajuste que se deje conectada a una pieza giratoria de la herramienta eléctrica pueden provocar lesiones personales.*
- e) **No se estire. Conserve el equilibrio adecuado y manténgase parado correctamente en todo momento.** *Esto permite un mejor control de la herramienta eléctrica en situaciones inesperadas.*
- f) **Use la vestimenta adecuada. No use ropas holgadas ni joyas.** *Mantenga el cabello, la ropa y los guantes alejados de las piezas en movimiento. Las ropas holgadas, las joyas o el cabello largo pueden quedar atrapados en las piezas en movimiento.*
- g) **Si se suministran dispositivos para la conexión de accesorios con fines de recolección y extracción de polvo, asegúrese de que estén conectados y que se utilicen correctamente.** *El uso de dispositivos de recolección de polvo puede reducir los peligros relacionados con el polvo.*
- 4) Uso y mantenimiento de la herramienta eléctrica**
- a) **No fuerce la herramienta eléctrica. Utilice la herramienta eléctrica correcta para el trabajo que realizará.** *La herramienta eléctrica correcta hará el trabajo mejor y más seguro a la velocidad para la que fue diseñada.*
- b) **No utilice la herramienta eléctrica si no puede encenderla o apagarla con el interruptor.** *Toda herramienta eléctrica que no puede ser controlada mediante el interruptor es peligrosa y debe ser reparada.*
- c) **Desconecte el enchufe de la fuente de energía y/o el paquete de baterías de la herramienta eléctrica antes de realizar ajustes, cambiar accesorios o almacenar herramientas eléctricas.** *Estas medidas de seguridad preventivas reducen el riesgo de encender la herramienta eléctrica en forma accidental.*
- d) **Guarde las herramientas eléctricas que no están en uso fuera del alcance de los niños y no permite que otras personas no familiarizadas con ella o con estas instrucciones operen la herramienta.** *Las herramientas eléctricas son peligrosas en las manos de usuarios no entrenados.*
- e) **Mantenimiento de las herramientas eléctricas.** *Controle que no haya piezas móviles mal alineadas o trabadas, piezas rotas y toda otra situación que pueda afectar el funcionamiento de las herramientas eléctricas. Si encuentra daños, haga reparar la herramienta eléctrica*

antes de utilizarla. *Se producen muchos accidentes a causa de las herramientas eléctricas que carecen de un mantenimiento adecuado.*

- f) **Mantenga las herramientas de corte afiladas y limpias.** *Las herramientas de corte con mantenimiento adecuado, con los bordes de corte afilados, son menos propensas a trabarse y son más fáciles de controlar.*
- g) **Utilice la herramienta eléctrica, los accesorios y las brocas de la herramienta, etc. de acuerdo con estas instrucciones y teniendo en cuenta las condiciones de trabajo y el trabajo que debe realizarse.** *El uso de la herramienta eléctrica para operaciones diferentes de aquéllas para las que fue diseñada podría originar una situación peligrosa.*

5) Uso y mantenimiento de la herramienta con baterías

- a) **Recargue solamente con el cargador especificado por el fabricante.** *Un cargador adecuado para un tipo de paquete de baterías puede originar riesgo de incendio si se utiliza con otro paquete de baterías.*
- b) **Utilice herramientas eléctricas sólo con paquetes de baterías específicamente diseñados.** *El uso de cualquier otro paquete de baterías puede producir riesgo de incendio y lesiones.*
- c) **Cuando no utilice el paquete de baterías, manténgalo lejos de otros objetos metálicos como sujetapapeles, monedas, llaves, clavos, tornillos u otros objetos metálicos pequeños que puedan realizar una conexión desde un terminal al otro.** *Los cortocircuitos en los terminales de la batería pueden provocar quemaduras o incendio.*
- d) **En condiciones abusivas, el líquido puede ser expulsado de la batería. Evite su contacto. Si entra en contacto accidentalmente, enjuague con agua. Si el líquido entra en contacto con sus ojos, busque atención médica.** *El líquido expulsado de la batería puede provocar irritación o quemaduras.*

6) Mantenimiento

- a) **Haga que una persona de reparaciones calificada realice el mantenimiento de su herramienta eléctrica y utilice piezas de repuesto idénticas solamente.** *Esto garantizará la seguridad de la herramienta eléctrica.*

NORMAS ESPECÍFICAS DE SEGURIDAD

- Al realizar una operación en la que el accesorio de corte pueda tocar cables eléctricos ocultos o su propio cable,

sostenga la herramienta eléctrica por las superficies de agarre aisladas.

El contacto del accesorio de corte con un cable con corriente eléctrica puede provocar que las partes metálicas expuestas de la herramienta eléctrica también conduzcan la corriente y que el operador sufra una descarga eléctrica.

- **Utilice abrazaderas u otra forma práctica para asegurar y sostener la pieza de trabajo sobre una plataforma estable.** *Sostener el trabajo con la mano o contra el cuerpo no brinda la estabilidad requerida y puede llevar a la pérdida del control.*
- **Cuando trabaje en una escalera o una plataforma asegúrese de dejar la herramienta de lado cuando no la use.** *Algunas herramientas con baterías grandes se paran sobre su base, pero se pueden volcar fácilmente.*
- **Mantenga las manos lejos de las zonas de corte.** *Nunca se estire por debajo del material por ningún motivo. Sostenga la parte frontal de la sierra desde el área de sujeción contorneada. No inserte los dedos en la zona cercana a la hoja alternativa y a la abrazadera de la hoja. No estabilice la sierra sujetando la zapata.*
- **Mantenga las hojas afiladas.** *Las hojas sin filo pueden hacer que la sierra se desvíe o atasque al recibir presión.*
- **Tenga especial cuidado al cortar en lugares altos y preste mucha atención a los cables altos que pueden estar ocultos.** *Prevea el trayecto de la caída de las ramas y los desechos con anticipación.*
- **Al cortar tuberías o conductos,** asegúrese de que no contengan agua, cableado eléctrico, etc.

⚠ **ADVERTENCIA:** Durante el uso, utilice siempre protección auditiva adecuada que cumpla con la norma ANSI S12.6 (S3.19). *En ciertas circunstancias y según el período de uso, el ruido de este producto puede contribuir a la pérdida de audición.*

⚠ **ADVERTENCIA: USE SIEMPRE LENTES DE SEGURIDAD.** *Los anteojos de uso diario NO son lentes de seguridad. Utilice también máscaras faciales o para polvo si el corte produce polvillo. UTILICE SIEMPRE EQUIPOS DE SEGURIDAD CERTIFICADOS:*

- Protección para los ojos según la norma ANSI Z87.1 (CAN/CSA Z94.3)
- Protección auditiva según la norma ANSI S12.6 (S3.19)
- Protección respiratoria según las normas NIOSH/OSHA/MSHA

⚠ **ADVERTENCIA:** parte del polvo producido por las herramientas eléctricas al lijar, aserrar, esmerilar,

taladrar y realizar otras actividades de la construcción, contiene productos químicos reconocidos por el Estado de California como causantes de cáncer, defectos de nacimiento u otros problemas reproductivos. Algunos de estos productos químicos son:

- el plomo de las pinturas de base plomo,
- la sílice cristalina de ladrillos, el cemento y otros productos de mampostería, y
- el arsénico y el cromo de la madera con tratamiento químico.

El riesgo derivado de estas exposiciones varía según la frecuencia con la que se realice este tipo de trabajo. Para reducir la exposición a estos productos químicos: trabaje en áreas bien ventiladas y trabaje con equipos de seguridad aprobados, como las máscaras para polvo especialmente diseñadas para filtrar las partículas microscópicas.

- **Evite el contacto prolongado con el polvo procedente del lijado, serrado, esmerilado y taladrado eléctricos, así como de otras actividades del sector de la construcción. Lleve ropa protectora y lave con agua y jabón las zonas expuestas.** *Si permite que el polvo se introduzca en la boca u ojos o quede sobre la piel, puede favorecer la absorción de productos químicos peligrosos.*

⚠ ADVERTENCIA: El uso de esta herramienta puede generar o dispersar polvo lo cual puede causar lesiones respiratorias serias y permanentes y otros tipos de lesión. Siempre use *protección respiratoria aprobada por NIOSH/OSHA para la exposición al polvo.* *Dirija las partículas en dirección opuesta a su cara y cuerpo.*

CONSERVE LAS INSTRUCCIONES

SÍMBOLOS

La etiqueta de su herramienta puede incluir los siguientes símbolos. Los símbolos y sus definiciones son los siguientes:

- V..... voltios
- A..... amperios
- Hz..... hertz
- W..... vatios
- min..... minutos
- ~..... corriente alterna
- ===..... corriente continua
- n_0 no velocidad sin carga
- ☐..... Construcción de clase II
- ⊖..... terminal a tierra
- ⚠..... símbolo de alerta de seguridad
- ...min or rpm.... revoluciones o reciprocidad por minuto
- 📖..... *...Lea el manual de instrucciones antes del uso*

- ☑..... Use protección adecuada para las vías respiratorias
- 👁..... Use protección adecuada para los ojos
- 👂..... Use protección adecuada para los oídos

INSTRUCCIONES DE SEGURIDAD IMPORTANTES PARA LOS CARGADORES DE BATERÍAS CONSERVE ESTAS INSTRUCCIONES:

Este manual contiene instrucciones de seguridad importantes para los cargadores de baterías.

- Antes de utilizar el cargador, lea todas las instrucciones y las prevenciones en el cargador, en el paquete de baterías y en el producto que utiliza el paquete de baterías.

⚠ ADVERTENCIA: **Riesgo de descarga eléctrica.** No permita que ningún líquido entre en el cargador.

⚠ PRECAUCIÓN: **Riesgo de quemaduras.** Para reducir el riesgo de lesiones, cargue solamente baterías **Black & Decker**. Otros tipos de baterías pueden estallar y provocar daños personales y materiales.

⚠ PRECAUCIÓN: En determinadas circunstancias, con el cargador enchufado en el tomacorriente, algunos materiales extraños pueden provocar un cortocircuito en el cargador. Se deben mantener lejos de las cavidades del cargador los materiales extraños de naturaleza conductora, entre los que se incluyen la lana de acero, el papel de aluminio o cualquier acumulación de partículas metálicas. Éstos son sólo algunos ejemplos y no constituyen una lista taxativa. Siempre desenchufe el cargador del tomacorriente cuando no haya un paquete de baterías en la cavidad. Desenchufe el cargador antes de intentar limpiarlo.

- **NO intente cargar el paquete de baterías con otros cargadores que no sean de la marca. Los cargadores y los paquetes de baterías están diseñados específicamente para trabajar juntos.**
- **Estos cargadores están diseñados para utilizarse exclusivamente con las baterías recargables Black & Decker designadas. Otros usos pueden provocar riesgo de incendio, descarga eléctrica o electrocución.**
- **No exponga el cargador a la lluvia ni a la nieve.**
- **Para desconectar el cargador o los cables para cadena de margarita, tire del enchufe en lugar del cable. Esto reducirá el riesgo de dañar el enchufe o el cable.**
- **Asegúrese de que el cable esté ubicado de modo que no lo pise o se tropiece con él y que no esté sujeto a daños o**

tensiones de alguna otra forma.

- **No utilice un cable prolongador a menos que sea absolutamente necesario.** *El uso de un cable prolongador incorrecto puede provocar riesgo de incendio, descarga eléctrica o electrocución.*
- **Para garantizar la seguridad, un cable prolongador debe tener un tamaño de cable adecuado (AWG o Calibre de conductor de Estados Unidos).** *Cuanto más pequeño sea el número de calibre del conductor, mayor será la capacidad del cable; es decir, un calibre 16 tiene más capacidad que un calibre 18. Cuando se utiliza más de una prolongación para lograr la longitud total, asegúrese de que cada prolongación tenga la medida mínima del conductor.*

Calibre mínimo para cables de extensión		Longitud total del cable en pies	
Volts		26-50	51-100
120V	0-25 (0-7,6m)	26-50 (7,6-15,2m)	51-100 (15,2-30,4m)
Amperaje			
Más de		No más de	AWG
0 - 6		18 16 14	

- **No coloque objetos en la parte superior del cargador ni coloque el cargador en una superficie blanda que pueda bloquear las ranuras de ventilación y provocar un calor interno excesivo.** **Coloque el cargador en una posición alejada de cualquier fuente de calor.** El cargador se ventila a través de ranuras en la parte superior e inferior de la cubierta.
- **No monte el cargador en la pared ni lo instale en forma permanente sobre ninguna superficie.** El cargador está diseñado para ser utilizado sobre una superficie plana y estable (p. ej., un banco o una mesa).
- **No opere el cargador con cables o enchufes dañados: reemplácelos de inmediato.**
- **No opere el cargador si éste ha recibido un golpe fuerte, se ha caído, o se ha dañado de cualquier otra manera.** *Llévelo a un centro de mantenimiento autorizado.*
- **No desarme el cargador; llévelo a un centro de mantenimiento autorizado cuando se requiera mantenimiento o una reparación.** *El armado incorrecto puede implicar un riesgo de descarga eléctrica, electrocución o incendio.*
- **Antes de limpiarlo, desconecte el cargador del tomacorriente.** Esto reducirá el riesgo de descarga eléctrica. Quitar el paquete de baterías no reducirá este riesgo.
- **NUNCA intente conectar 2 cargadores juntos.**
- **El cargador está diseñado para operar con corriente eléctrica doméstica estándar (120 voltios).** No intente utilizarlo con otro voltaje.

CONSERVE ESTAS INSTRUCCIONES INSTRUCCIONES DE SEGURIDAD IMPORTANTES PARA LOS PAQUETES DE BATERÍAS

⚠️ ADVERTENCIA: *Para un funcionamiento seguro, lea éste y todos los manuales de instrucciones incluidos con la herramienta antes de usar el cargador.* El paquete de baterías incluido en la caja no está completamente cargado. Antes de utilizar el paquete de baterías y el cargador, lea las instrucciones de seguridad a continuación. Luego siga los procedimientos de carga descritos.

LEA TODAS LAS INSTRUCCIONES

- **No incinere el paquete de baterías, aun si tiene daños importantes o está completamente desgastado.** *El paquete de baterías puede explotar en el fuego. Cuando se queman paquetes de baterías, se generan vapores y materiales tóxicos.*
- **No cargue ni use la batería en atmósferas explosivas, como ambientes en los que hay líquidos, gases o polvo inflamables.** *Insertar o retirar la batería del cargador puede encender el polvo o los vapores.*
- **Si el contenido de las baterías entra en contacto con la piel, lave el área de inmediato con agua y jabón suave.** *Si el líquido de la batería entra en contacto con los ojos, enjuague con agua manteniendo los ojos abiertos durante 15 minutos o hasta que la irritación cese. Si se necesita atención médica, el electrolito de las baterías de Lithium-Ion contiene una mezcla de carbonatos orgánicos líquidos y sales de litio.*
- **El contenido de las células de la batería abierta puede generar irritación respiratoria.** *Respire aire fresco. Si los síntomas persisten, busque atención médica.*

⚠️ ADVERTENCIA: *Peligro de quemaduras. El líquido de la batería puede encenderse si se expone a chispas o llamas.*

- **Cargue los paquetes de baterías sólo con cargadores de Black & Decker.**
- **NO salpique o sumerja en agua u otros líquidos.** *Esto puede causar una falla prematura de las células.*
- **No almacene ni utilice la herramienta y el paquete de baterías en lugares en los que la temperatura pueda alcanzar o superar los 40 °C (105 °F) (como en toldos al aire libre o construcciones de metal en verano).**

⚠️ ADVERTENCIA: *Nunca intente abrir el paquete de baterías por ningún motivo. Si la caja del paquete de baterías*

está agrietada o dañada, no la introduzca en el cargador. No comprima, deje caer ni dañe el paquete de baterías. No utilice un paquete de baterías o un cargador que haya recibido un golpe fuerte, se haya caído, esté agotado o dañado de alguna forma (por ejemplo, perforado con un clavo, golpeado con un martillo, pisado). Los paquetes de baterías dañados deben devolverse al centro de mantenimiento para su reciclado.

⚠️ ADVERTENCIA: Riesgo de incendio. No guarde o transporte la batería de ninguna manera que permita que los terminales expuestos de la batería entren en contacto con objetos metálicos. Por ejemplo, no coloque la batería en delantales, bolsillos, cajas de herramientas, cajas de juegos de productos, cajones, etc. con clavos, llaves, tornillos sueltos, etc.

Transportar baterías puede provocar incendios si los terminales de la batería entran en contacto accidentalmente con materiales conductores como llaves, monedas, herramientas de mano u objetos similares. Las Normas para Materiales Peligrosos del Departamento de Transporte de los EE.UU. (HMR) concretamente prohíben transportar baterías comercialmente o en aviones (es decir, empacadas en maletas y equipaje de mano) A MENOS que estén debidamente protegidas de cortocircuitos. Por lo tanto, cuando transporte baterías individuales, asegúrese de que los terminales de la batería estén protegidos y bien aislados de materiales que puedan hacer contacto y causar un cortocircuito.

NOTA: Las baterías de iones de Lithium-Ion no deben colocarse dentro del equipaje registrado.

RECOMENDACIONES CON RESPECTO AL ALMACENAMIENTO

1. El mejor lugar de almacenamiento es uno que sea fresco y seco fuera de la luz solar directa y de un exceso de calor o frío.
2. El almacenamiento prolongado no dañará el paquete de baterías o el cargador. En las condiciones adecuadas.

DESCRIPCIÓN DE LAS FUNCIONES FIGURA A

1. Interruptor de encendido/apagado
2. Botón de bloqueo
3. Zapata
4. Palanca de liberación de la abrazadera de la hoja
5. Hoja
6. Batería (no incluida)
7. Botón de liberación de la batería (en la batería)

8. Manija principal
9. Mango de agarre secundario

Estos productos utilizan las baterías y los cargadores indicados en el cuadro a continuación.

Descripción	N.º de catálogo
Batería de iones de litio de 20 V Máx**:	LBXR20
Batería de iones de litio tipo 1 de 20 V Máx*** y 22 Wh:	LB20
Cargador de baterías de iones de litio de 20 V Máx**:	LCS20
Cargador rápido de baterías de iones de litio de 2 amperios:	L2AFC
Cargador rápido de baterías de iones de litio de 2 amperios:	L2AFCBST
Cargador de baterías de iones de litio de 20 V Máx***:	LCS1620

PROCEDIMIENTO DE CARGA

Los cargadores de **Black & Decker** están diseñados para cargar paquetes de baterías de **Black & Decker** en 3 a 4 horas según el paquete que se carga.

1. Enchufe el cargador en un tomacorriente adecuado antes de insertar el paquete de baterías.
2. Introduzca el paquete de baterías en el cargador. (figura B)
3. La luz LED verde titilará para indicar que la batería se está cargando.
4. La finalización de la carga se indica mediante la luz LED verde que permanece encendida de manera continua. El paquete está completamente cargado y puede utilizarse en este momento o dejarse en el cargador.

Después del uso, recargue las baterías descargadas a la brevedad posible o de lo contrario la vida útil de las baterías podría acortarse en gran medida. Para obtener la máxima vida útil de las baterías, no permita que éstas se descarguen completamente. Se recomienda recargar las baterías después de cada uso.

DEJAR LA BATERÍA EN EL CARGADOR

El cargador y el paquete de baterías se pueden dejar conectados indefinidamente con la luz LED verde encendida. El cargador mantendrá el paquete de baterías como nuevo y completamente cargado.

NOTAS IMPORTANTES SOBRE LA CARGA

1. Obtendrá una duración más prolongada y un mejor rendimiento si el paquete de baterías se carga cuando la temperatura ambiente está entre 18 °C y 24 °C (65 °F y 75 °F). NO cargue el paquete de batería con una temperatura ambiental por debajo de +4,5 °C (+40 °F) o por encima de +40,5 °C (+105 °F). Esto es importante y evitará daños graves en el paquete de baterías.
2. El cargador y el paquete de baterías pueden estar calientes al tacto durante la carga. Esto es una condición normal y no indica un problema. Para facilitar el enfriado del paquete de baterías después de su uso, evite colocar el cargador o el paquete de baterías en un ambiente cálido, como debajo de un toldo de metal o en un remolque sin aislamiento.

3. Si el paquete de baterías no se carga adecuadamente:

- Revise el tomacorriente enchufando una lámpara u otro aparato
- Verifique si el tomacorriente está conectado a un interruptor que corta la energía cuando usted apaga las luces.
- Mueva el cargador y el paquete de baterías a un lugar donde la temperatura ambiental sea de aproximadamente 18 °C a 24 °C (65 °F a 75 °F).
- Si los problemas de carga persisten, lleve la herramienta, el paquete de baterías y el cargador al centro de mantenimiento local.

4. Se debe recargar el paquete de baterías cuando no produce energía suficiente para tareas que previamente realizaba con facilidad. NO CONTINUE utilizando la herramienta en estas condiciones. Siga el procedimiento de carga. También se puede cargar un paquete de baterías parcialmente usado cuando se desee, sin ningún efecto negativo sobre éstas.

5. Se deben mantener lejos de las cavidades del cargador los materiales extraños de naturaleza conductora, entre los que se incluyen la lana de acero, el papel de aluminio o cualquier acumulación de partículas metálicas. Éstos son sólo algunos ejemplos y no constituyen una lista taxativa. Siempre desenchufe el cargador del tomacorriente cuando no haya un paquete de baterías en la cavidad. Desenchufe el cargador antes de intentar limpiarlo.

6. No congele ni sumerja el cargador en agua ni en ningún otro líquido.

⚠ ADVERTENCIA: Riesgo de descarga eléctrica. No permita que ningún líquido entre en el cargador. *Nunca intente abrir el paquete de baterías por ningún motivo. Si la caja protectora de plástico del paquete de baterías se rompe o agrieta, devuélvala a un centro de mantenimiento para su reciclado.*

INSTALACIÓN Y EXTRACCIÓN DEL PAQUETE DE BATERÍAS

PARA INSTALAR EL PAQUETE DE BATERÍAS: Inserte el paquete de baterías en la herramienta hasta que se escuche un clic (**figura C**). Asegúrese de que el paquete de baterías esté bien colocado y completamente asegurado en su lugar.

PARA EXTRAER EL PAQUETE DE BATERÍAS: Presione el botón de liberación de la batería, como se muestra en la **figura D**, y tire del paquete de baterías hasta extraerlo de la herramienta.

INSTRUCCIONES DE OPERACIÓN

⚠ ADVERTENCIA: Utilice siempre la

protección para los ojos adecuada que cumple con la norma ANSI Z87.1 (CAN/CSA Z94.3) mientras opera esta herramienta.

- NOTA:** Antes de cortar cualquier tipo de material, asegúrese de que esté firmemente sujeto o fijo para evitar el deslizamiento.
- Coloque la hoja levemente contra la pieza de trabajo que desea cortar.
 - Encienda el motor de la sierra y permita que ésta alcance la máxima velocidad antes de aplicar presión.
 - Al cortar, sujete siempre la sierra con firmeza con ambas manos, como se muestra en la **figura E**. Siempre que sea posible, la zapata de la sierra debe sujetarse con firmeza contra el material que desea cortar. Esto evitará que la sierra salte o vibre y minimizará el daño a la hoja.

PALANCA DE LIBERACIÓN DE LA ABRAZADERA DE LA HOJA

⚠ ADVERTENCIA: Peligro de corte.

Para reducir el riesgo de lesiones personales graves, apague la herramienta y desconéctela de la fuente de energía antes de realizar ajustes o de retirar o instalar cualquier dispositivo o accesorio.

⚠ ADVERTENCIA: Peligro de corte.

La hoja puede romperse si ésta no se extiende más allá de la zapata y la pieza de trabajo durante el corte. Es posible que haya más riesgos de lesiones personales además de daños en la zapata y en la pieza de trabajo.

Para instalar la hoja en la sierra:

- Abra la palanca de liberación de la abrazadera de la hoja a la posición completamente abierta como se muestra en la **figura F**.
- Inserte el vástago de la hoja desde el frente.
- Cierre la palanca de liberación de la abrazadera de la hoja. Compruebe para cerciorarse de que la hoja esté afianzada con abrazadera con seguridad

NOTA: La hoja puede instalarse al revés para ayudar a realizar cortes al ras.

Para retirar la hoja de la sierra:

⚠ ADVERTENCIA: Riesgo de quemaduras. *No toque la hoja de inmediato después de usarla. El contacto con la hoja puede ocasionar lesiones personales.*

- Abra la palanca de liberación de la abrazadera de la hoja a su posición completamente abierta.
- Retire la hoja.

CORTE AL RAS (FIGURA G)

- El diseño compacto de la caja del motor de la sierra alternativa y de la zapata giratoria permite cortes cerrados en pisos, esquinas y otras áreas difíciles.
- Para maximizar las capacidades de cortes al ras, inserte el eje de la hoja en la abrazadera de hoja con los dientes de la hoja hacia arriba.
- Gire la sierra hacia abajo de modo que usted esté lo más cerca posible de la superficie de trabajo.

CORTES EN MADERA (FIGURA H)

- Antes de cortar cualquier tipo de madera, asegúrese de que la pieza de trabajo esté firmemente sujeta o fija para evitar el deslizamiento.
- Coloque la hoja levemente contra la pieza de trabajo que desea cortar.
- Encienda el motor de la sierra antes de aplicar presión.
- Al cortar, sujete siempre con firmeza la sierra con ambas manos. Siempre que sea posible, la zapata de la sierra debe sujetarse con firmeza contra el material que desea cortar. Esto evitará que la sierra salte o vibre y minimizará el daño a la hoja.

CORTES EN METAL (FIGURA I)

- Utilice una hoja fina para metales ferrosos y una hoja más gruesa para materiales no ferrosos.
- En piezas de metal de bajo calibre es mejor sujetar con madera al superficie inferior de la pieza. De esta forma, garantizará un corte limpio sin exceso de vibración o rotura del metal.
- Evite forzar la hoja de corte, esto reducirá la duración de la hoja y ocasionará roturas costosas de la hoja.

NOTA: Distribuya una capa delgada de aceite u otro refrigerante a lo largo de la línea en la parte frontal del corte de la sierra para una mejor operación y mayor duración de la hoja. Para cortes en aluminio, coloque kerosén preferentemente.

CORTES INTERNOS - MADERA SOLAMENTE (FIGURA J)

- Mida la superficie que desea cortar y márquela claramente con un lápiz, tiza o punzón.
- Inserte la hoja en la abrazadera de hoja y ajústela bien.
- Incline la sierra hacia atrás hasta que el borde posterior de la zapata esté sobre la superficie de trabajo.
- Encienda el motor de modo de permitir que la hoja logre la máxima velocidad.
- Sujete el mango con firmeza y comience con un balanceo lento, intencional y hacia arriba con el mango de la sierra.

- La hoja comenzará a introducirse en el material. Siempre asegúrese de que la hoja atraviese completamente el material antes de continuar un corte interno.

NOTA: En áreas donde la visibilidad de la hoja sea limitada, utilice el borde de la zapata como guía.

SUGERENCIAS PARA EL PROYECTO

- Corte solamente con las hojas afiladas, éstas pueden realizar cortes más limpios, más rápidos y requieren menos esfuerzo del motor durante el corte.
- Al cortar, siempre asegúrese de que la zapata esté contra la pieza de trabajo. Esto mejorará el control del operador y minimizará la vibración.
- Para una mayor duración de la hoja, utilice hojas bimetalicas. Éstas utilizan un respaldo de acero duro soldado para lograr mayor velocidad de los dientes de acero, de manera que la hoja es más flexible y menos propensa a las roturas.

MANTENIMIENTO

RETIRE LA BATERIA DE LA SIERRA AL REALIZAR LA LIMPIEZA U OTRO TIPO DE MANTENIMIENTO. AL REPARAR, SOLO UTILICE PIEZAS DE REPUESTO IDENTICAS A LAS ORIGINALES.

- Evite utilizar solventes al limpiar las piezas de plástico. La mayoría de los plásticos son susceptibles a varios tipos de solventes comerciales y posiblemente se dañen con su uso. Para limpiar la herramienta, sólo utilice jabón suave y un paño húmedo. Nunca permita que penetre líquido dentro de la herramienta y nunca sumerja las piezas de la herramienta en un líquido.
- Al utilizar herramientas eléctricas en botes de fibra de vidrio, automóviles deportivos, madera contrachapada, etc., éstas pueden acelerar el desgaste y ocasionar posibles daños prematuros, ya que las astillas de la fibra de vidrio y el polvo de esmerilados y madera contrachapada son altamente abrasivos a los rodamientos, cepillos, conmutador, etc. Durante cualquier uso en fibra de vidrio o madera contrachapada, es de extrema importancia que se limpie la herramienta con frecuencia mediante soplado con una tobera de aire.

LUBRICACIÓN

Su herramienta fue adecuadamente lubricada antes de salir de fábrica. Todos los años, lleve o envíe su sierra a un centro de mantenimiento de Black y Decker o a un centro de mantenimiento autorizado para limpieza, inspección y lubricación completas. Las herramientas "sin mantenimiento" durante períodos prolongados deben volver a lubricarse antes de utilizarlas nuevamente.

DETECCIÓN DE PROBLEMAS

Problema	Causa posible	Solución posible
<ul style="list-style-type: none"> • La herramienta no funcionará. 	<ul style="list-style-type: none"> • El paquete de baterías no está bien instalado. • El paquete de baterías no está cargado. 	<ul style="list-style-type: none"> • Controle la instalación del paquete de baterías. • Verifique los requisitos de carga del paquete de baterías.
<ul style="list-style-type: none"> • El paquete de baterías no carga. 	<ul style="list-style-type: none"> • El paquete de baterías no está insertado en el cargador. • El cargador no está enchufado. 	<ul style="list-style-type: none"> • Inserte el paquete de baterías en el cargador hasta (LED) que se encienda la luz verde • Enchufe el cargador en un tomacorriente que funcione. Consulte "Notas importantes sobre la carga" para conocer más detalles.
	<ul style="list-style-type: none"> • Temperatura ambiental. 	<ul style="list-style-type: none"> • Traslade el cargador y la batería a una temperatura ambiental que esté por encima de 40 °F (4.5 °C) o por debajo de 105 °F (+40.5 °C).
<ul style="list-style-type: none"> • La unidad se apaga repentinamente. 	<ul style="list-style-type: none"> • El paquete de baterías alcanzó • No tiene más carga. (Para maximizar la vida útil del paquete de baterías, este está diseñado para apagarse repentinamente cuando no tiene más carga). 	<ul style="list-style-type: none"> • Espere que el paquete de baterías el límite térmico máximo se enfríe. • Colóquelo en el cargador para que se cargue.

Para conocer la ubicación del centro de mantenimiento más cercano a fin de recibir ayuda con su producto, visite nuestro sitio Web www.blackanddecker.com.mx o llame a la línea de ayuda Black and Decker al **01 800 847 2309/01 800 847 2312**.

MANTENIMIENTO

Utilice únicamente jabón suave y un trapo húmedo para limpiar la herramienta. Nunca permita que se introduzcan líquidos en la herramienta; nunca sumerja ninguna parte de la herramienta en ningún líquido.

IMPORTANTE: Para garantizar la **SEGURIDAD** y la **CONFIABILIDAD** del producto, las reparaciones, el mantenimiento y los ajustes deberán efectuarse en centros de servicio autorizado u otras organizaciones de servicio calificado, que utilicen siempre refacciones idénticas.

ACCESORIOS

Los accesorios que se recomiendan para la herramienta están disponibles en su distribuidor local o en el centro de servicio autorizado. Si necesita ayuda con respecto a los accesorios, llame al: **1-800-544-6986**.

⚠️ ADVERTENCIA: El uso de accesorios no recomendados para utilizar con esta herramienta puede resultar peligroso.

Este aparato digital Clase B cumple con la norma canadiense ICES-003. Este mecanismo cumple con la parte 15 de las normas de la Comisión Federal de Comunicaciones de Estados Unidos (FCC). La operación está sujeta a las dos condiciones siguientes: (1) Este mecanismo posiblemente

no cause interferencia perjudicial; y (2) este mecanismo puede aceptar cualquier interferencia recibida, incluso interferencia que podría provocar una operación no deseada.

NOTA: Este equipo ha sido probado y se encontró que cumple con los límites para dispositivo digital Clase B, según la parte 15 de las normas de la FCC. Estos límites están diseñados para brindar protección razonable contra interferencia perjudicial en una instalación residencial. Este equipo genera, usa y puede irradiar energía en frecuencia de radio y, si no se instala y se usa de acuerdo con las instrucciones, puede provocar interferencia perjudicial en las comunicaciones de radio.

Sin embargo, no hay garantía de que la interferencia no ocurra en una instalación en particular. Si este equipo provoca interferencia perjudicial en la recepción de radio o televisión, lo que se puede determinar al apagar y encender el equipo, el usuario debe tratar de corregir la interferencia mediante una o más de las siguientes medidas:

- Cambiar la orientación o la ubicación de la antena de recepción.
- Aumentar la separación entre el equipo y el receptor.
- Conectar el equipo a un tomacorriente sobre un circuito diferente de aquel al que está conectado el receptor.
- Consultar al vendedor o pedir la ayuda de un técnico en radio y televisión con experiencia. Los cambios o las modificaciones que se

le realicen a esta unidad sin aprobación expresa del tercero responsable del cumplimiento pueden anular la autorización del usuario para operar el equipo. Este aparato digital de la clase B se conforma con ICES-003 canadiense.

El sello RBRC™

El sello RBRC™ (Corporación de reciclado de baterías recargables) que se encuentra sobre la batería de iones de litio (o paquete de baterías) indica que los costos para reciclar la batería (o el paquete de baterías) al final de su vida útil ya fueron pagados por Black & Decker. En algunas zonas, es ilegal tirar las baterías usadas de iones de litio en la basura o en el depósito de desechos sólidos del municipio. El programa RBRC proporciona una alternativa de conciencia sobre el cuidado del medio ambiente.

RBRC, en cooperación con Black & Decker y otros usuarios de baterías, estableció programas en los Estados Unidos y Canadá para facilitar la recolección de baterías de iones de litio usadas. Ayude a proteger nuestro medio ambiente y a conservar los recursos naturales: devuelva la herramienta a un centro de mantenimiento autorizado Black & Decker para que sean recicladas. También puede comunicarse con el centro de reciclado para informarse sobre dónde dejar las baterías, o llame al **1-800-544-6986**.

INFORMACIÓN DE MANTENIMIENTO

Todos los Centros de servicio de Black & Decker cuentan con personal altamente capacitado dispuesto a brindar a todos los clientes un servicio eficiente y confiable en la reparación de herramientas eléctricas. Si necesita consejo técnico, reparaciones o piezas de repuesto originales de fábrica, póngase en contacto con el centro de servicio de Black & Decker más cercano a su domicilio. Para ubicar su centro de servicio local, consulte la sección "Herramientas eléctricas" (Tools-Electric) de las páginas amarillas, llame al **1-800-544-6986** o visite nuestro sitio www.blackanddecker.com.

GARANTÍA LIMITADO DE DOS AÑOS PARA USO EN EL HOGAR

Black & Decker (Estados Unidos) Inc. ofrece una garantía de dos años por cualquier defecto del material o de fabricación de este producto. El producto defectuoso se reparará o reemplazará sin costo alguno de dos maneras. La primera opción, el reemplazo, es devolver el producto al comercio donde se adquirió (siempre y cuando se trate de un comercio participante). Las devoluciones deben realizarse conforme a la política de devolución del comercio (generalmente, entre 30 y 90 días posteriores a la venta). Le pueden solicitar comprobante de compra. Consulte en el comercio acerca de la política especial sobre devoluciones una vez excedido el plazo establecido.



La segunda opción es llevar o enviar el producto (con flete pago) a un Centro de servicio propio o autorizado de Black & Decker para su reparación o reemplazo según nuestro criterio. Le pueden solicitar el comprobante de compra. Los Centros de servicio autorizados y de propiedad de Black & Decker se detallan en la sección "Herramientas eléctricas" (Tools-Electric) de las páginas amarillas de la guía telefónica. Esta garantía no se extiende a los accesorios. Esta garantía le concede derechos legales específicos; usted puede tener otros derechos que pueden variar según el estado o la provincia. Si tiene alguna pregunta, comuníquese con el gerente del Centro de servicio de Black & Decker de su zona. Este producto no está diseñado para uso comercial.

REEMPLAZO DE LAS ETIQUETAS DE ADVERTENCIA

Si sus etiquetas de advertencia se vuelven ilegibles o faltan, llame al (888) 848-5175 para que se las reemplacen gratuitamente.

AMÉRICA LATINA: esta garantía no se aplica a los productos que se venden en América Latina. Para los productos que se venden en América Latina, debe consultar la información de la garantía específica del país que viene en el empaque, llamar a la compañía local o visitar el sitio Web a fin de obtener esa información.

2 AÑOS LIMITADO DE GARANTIA

Este producto cuenta con dos años de garantía a partir de la fecha de compra contra cualquier defecto de su funcionamiento, así como cualquier falla debido a materiales empleados para su fabricación ó mano de obra defectuosa. Nuestra garantía incluye la reparación o reposición del producto y/o componentes sin cargo alguno para el cliente incluyendo la mano de obra, esta incluye los gastos de trasporte erogados para lograr cumplimiento de esta garantía en los domicilios diversos señalados.

Para hacer efectiva esta garantía deberá presentar su herramienta y esta póliza sellada por el establecimiento comercial donde se adquirió el producto. Nos comprometemos a entregar el producto en un lapso no mayor a 30 días hábiles contados a partir de la fecha de recepción del mismo en nuestros talleres de servicio autorizados.

ESTA GARANTIA NO APLICA CUANDO:

El producto se hubiese utilizado en condiciones distintas a las normales. El producto no hubiese sido operado de acuerdo con el instructivo de uso que se acompaña. El producto hubiese sido alterado o reparado por personas no autorizadas por nosotros.

Importador: Black & Decker S.A. de .C.V
Bosque de Cidros Acceso Radiatas No.42
3ra.Seccion de Bosques de las lomas
C.P.05120, Mexico, D.F. Tel: (01 55) 5326 7100

**· GARANTÍA BLACK & DECKER · BLACK & DECKER WARRANTY
· SOLAMENTE PARA PROPOSITOS DE MEXICO**

Distributor Name · *Sello firma del distribuidor*

Date of purchase · *Fecha de compra*

Invoice No. · No. de factura

PRODUCT INFORMATION · IDENTIFICACIÓN DEL PRODUCTO

Cat. No. · *Catalogo ó Modelo*

Serial Number · No. de serie

Name · *Nombre*

Last Name · Apellido

Address · *Dirección*

City · *Ciudad*

State · Estado

Postal Code · *Código Postal*

Country · País

Telephone · *No. Teléfono*

2 AÑOS DE GARANTIA

Este producto cuenta con dos años de garantía a partir de la fecha de compra contra cualquier defecto de su funcionamiento, así como cualquier falla debido a materiales empleados para su fabricación ó mano de obra defectuosa.

Nuestra garantía incluye la reparación o reposición del producto y/o componentes sin cargo alguno para el cliente incluyendo la mano de obra, esta incluye los gastos de trasportación erogados para lograr cumplimiento de esta garantía en los domicilios diversos señalados.

Para hacer efectiva esta garantía deberá presentar su herramienta y esta póliza sellada por el establecimiento comercial donde se adquirió el producto.

Nos comprometemos a entregar el producto en un lapso no mayor a 30 días hábiles contados a partir de la fecha de recepción del mismo en nuestros talleres de servicio autorizados.

ESTA GARANTIA NO APLICA CUANDO:

El producto se hubiese utilizado en condiciones distintas a las normales.

El producto no hubiese sido operado de acuerdo con el instructivo de uso que se acompaña.

El producto hubiese sido alterado o reparado por personas no autorizadas por nosotros.

Importador: Black & Decker S.A. de .C.V

Bosque de Cidros Acceso Radiatas No.42

3ra.Seccion de Bosques de las lomas

C.P.05120, Mexico, D.F. Tel: (01 55) 5326 7100

SOLAMENTE PARA PROPOSITOS DE MEXICO

Grupo Realsa en herramientas, S.A. de C.V.

Súper Manzana 69 MZ.01 Lote 30
(Av. Torcasita)
Col. Puerto Juárez
Cancún, Quintana Roo
Tel. 01 998 884 72 27

Ferre Pat de Puebla, S.A. de C.V.

16 de Septiembre No. 6149
Col. El Cerrito
Puebla, Puebla
Tel. 01 222 264 12 12

Ferre Pat de Puebla, S.A. de C.V.

Ejército Mexicano No. 15
Col. Ejido 1ro. de Mayo
Boca del Rio, Veracruz
Tel. 01 229 167 89 89

Servicio de Fabrica Black & Decker, S.A. de C.V.

Lázaro Cardenas No. 18
Col. Obrera
Distrito Federal
Tel. 55 88 95 02

Representaciones Industriales Robles, S.A. de C.V.

Tezozomoc No. 89
Col. La Preciosa
Distrito Federal
Tel. 55 61 86 82

Gpo. Comercial de Htas. y Refacciones de Occidente, S.A. de C.V.

Av. La Paz No. 1779
Col. Americana, S. Juárez
Guadalajara, Jalisco
Tel. 01 33 38 25 69 78

Herramientas y Equipos Profesionales

Av. Colón 2915 Ote.
Col. Francisco I. Madero
Monterrey, Nvo. León
Tel. 01 81 83 54 60 06

Htas. Portátiles de Chihuahua, S.A. de C.V.

Av. Universidad No. 2903
Col. Fracc. Universidad
Chihuahua, Chihuahua
Tel. 01 614 413 64 04

Fernando González Armenta

Bolivia No. 605
Col. Felipe Carrillo Puerto
Cd. Madero, Tampico
Tel. 01 833 221 34 50

Perfiles y Herramientas de Morelia

Gertrudis Bocanegra No. 898
Col. Ventura Puente
Morelia, Michoacán
Tel. 01 443 313 85 50

Enrique Robles

Av. de la Solidaridad No. 12713
Col. La Pradera
Irapuato, Guanajuato
Tel. 01 462 626 67 39

Hernández Martinez Jeanette

Prolongación Corregidora Nte. No. 1104
Col. Arboledas
Queretaro, Qro.
Tel. 01 442 245 25 80

PARA OTRAS LOCALIDADES LLAME AL 01 800 847 2309 o 01 800 847 2312.

**Vea “Herramientas
eléctricas (Tools-Electric)”
– Páginas amarillas –
para Servicio y ventas**



**BLACK & DECKER S.A. DE C.V.
BOSQUES DE CIDROS ACCESO RADIATAS NO. 42
COL. BOSQUES DE LAS LOMAS.
05120 MÉXICO, D.F.
TEL. (01 55) 5326 7100
01 800 847 2309/01 800 847 2312**