



OPERATOR'S MANUAL

MANUEL D'UTILISATION

MANUAL DEL OPERADOR

ELECTRIC PRESSURE WASHER

LAVEUSE À PRESSION À ÉLECTRIQUE

LAVADORA DE PRESIÓN A ELÉCTRICA

RY1418MT

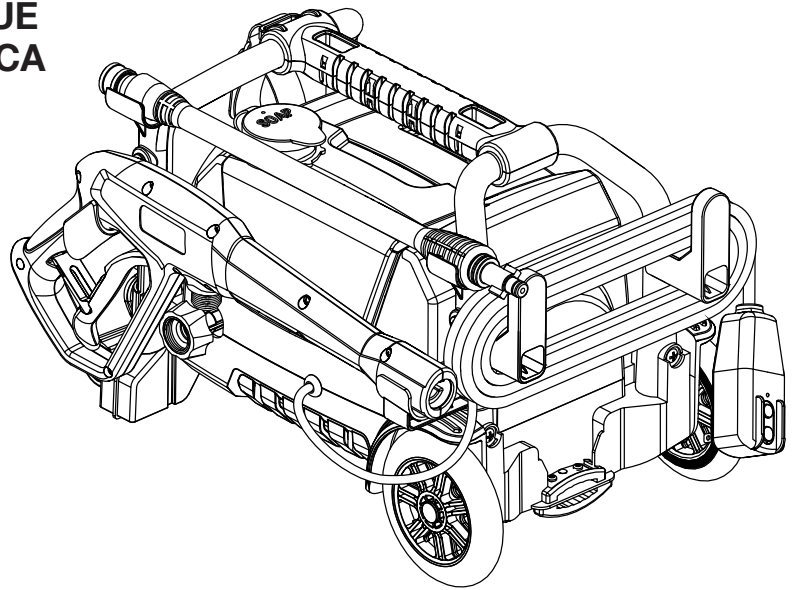


TABLE OF CONTENTS

- Important Safety Instructions2
- Specific Safety Rules3-4
- Symbols.....5-6
- Electrical6-7
- Features.....7-8
- Assembly8-9
- Operation.....9-13
- Maintenance.....13-14
- Troubleshooting14-15
- Parts Ordering and Service Back Page

TABLE DES MATIÈRES

- Instructions importantes concernant la sécurité.....2
- Règles de sécurité particulières3-4
- Symboles.....5-6
- Caractéristiques électriques.....6-7
- Caractéristiques7-8
- Assemblage.....8-9
- Utilisation.....10-13
- Entretien13-15
- Dépannage15-16
- Commande de pièces et réparation..... Page arrière

ÍNDICE DE CONTENIDO

- Instrucciones de seguridad importantes2
- Reglas de seguridad específicas3-4
- Símbolos5-6
- Aspectos eléctricos.....6-7
- Características7-8
- Armado.....8-9
- Funcionamiento.....10-13
- Mantenimiento.....13-15
- Solución de problemas15-16
- Pedidos de piezas y servicio..... Pág. posterior

⚠ WARNING: To reduce the risk of injury, the user must read and understand the operator's manual before using this product.

⚠ AVERTISSEMENT : Pour réduire les risques de blessures, l'utilisateur doit lire et veiller à bien comprendre le manuel d'utilisation avant d'employer ce produit.

⚠ ADVERTENCIA: Para reducir el riesgo de lesiones, el usuario debe leer y comprender el manual del operador antes de usar este producto.

SAVE THIS MANUAL FOR FUTURE REFERENCE

CONSERVER CE MANUEL POUR FUTURE RÉFÉRENCE

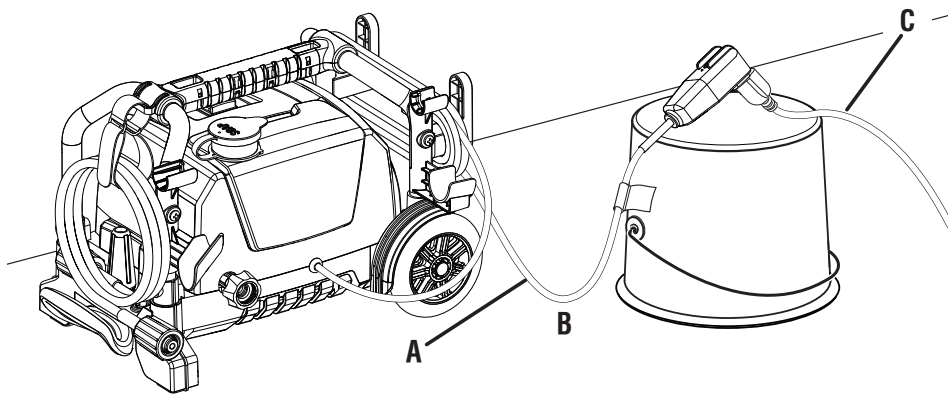
GUARDE ESTE MANUAL PARA FUTURAS CONSULTAS

See this fold-out section for all of the figures referenced in the operator's manual.

Consulter l'encart à volets afin d'examiner toutes les figures mentionnées dans le manuel d'utilisation.

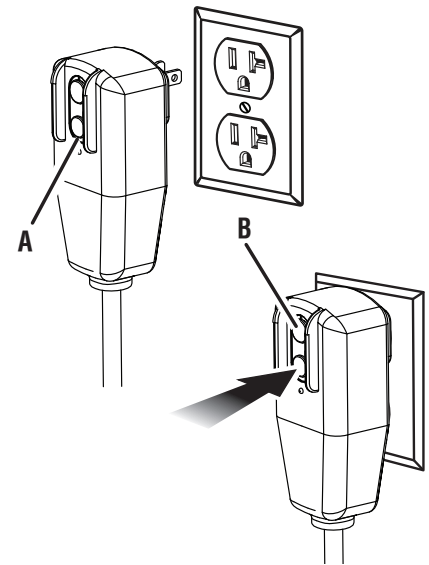
Consulte esta sección desplegable para ver todas las figuras a las que se hace referencia en el manual del operador.

Fig. 1



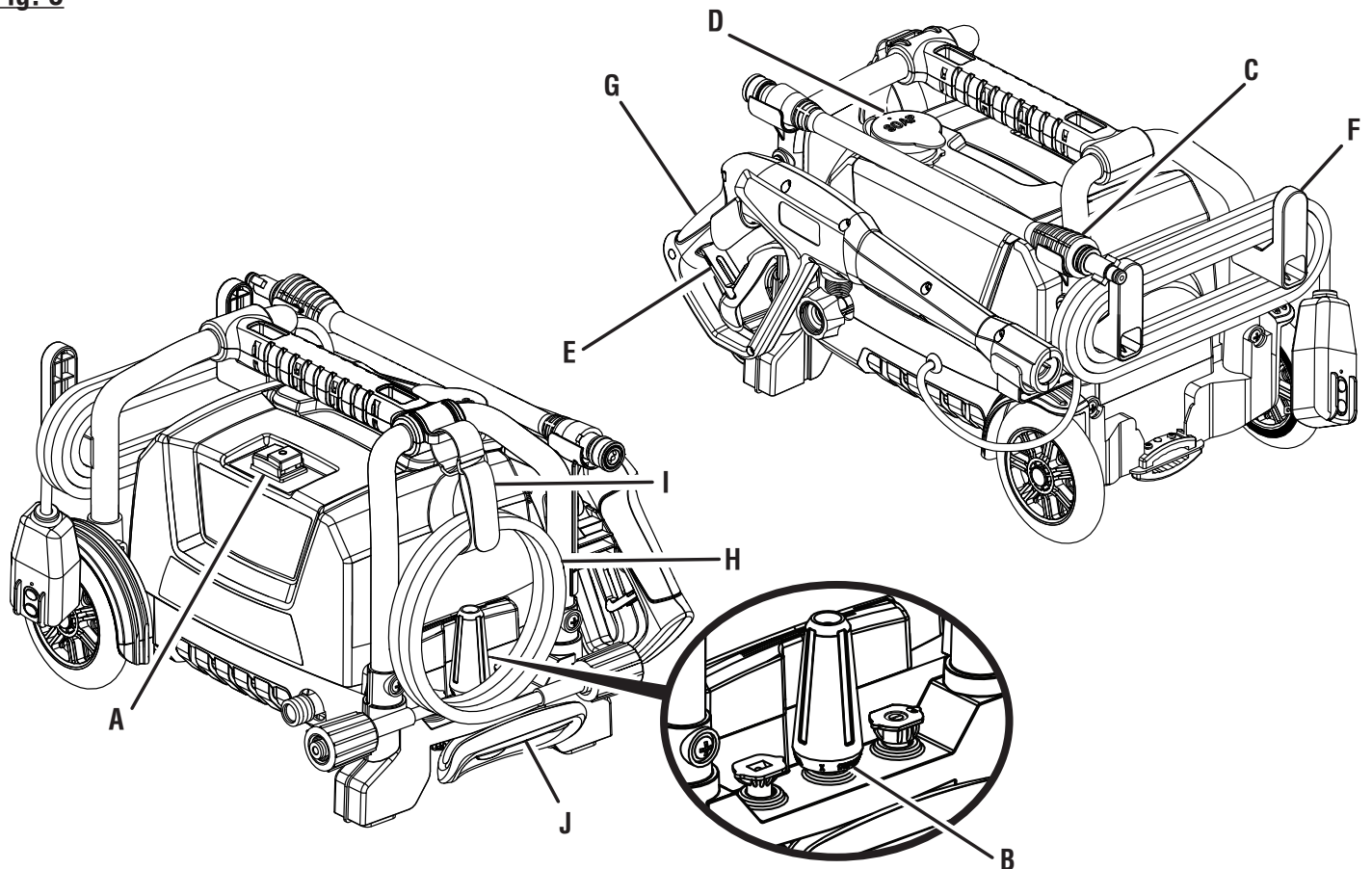
- A - Pressure washer power cord (cordon d'alimentation de la laveuse à pression, cordón de corriente de la lavadora de presión)
- B - Drip loop (boucle d'égouttement, vuelta de goteo)
- C - Extension cord (cordon prolongateurs, cordón de extensión)

Fig. 2



- A - Test button (bouton de test, botón de prueba)
- B - Reset button (bouton de réinitialisation, botón de reajuste)

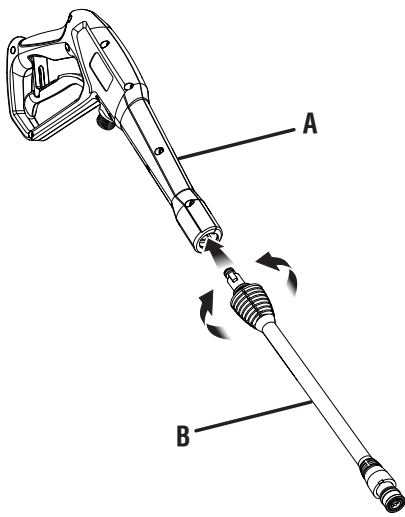
Fig. 3



- A - On/off switch (commutateur marche / arrêt, interruptor de encendido/apagado)
- B - Nozzle storage (rangement de buses, almacenamiento para boquilla)
- C - Spray wand (lance de pulvérisation, tubo rociado)
- D - Soap tank cap (bouchon du réservoir de savon, tapa del tanque de jabón)
- E - Trigger with lock-out (gâchette avec verouillage, gatillo con seguro)

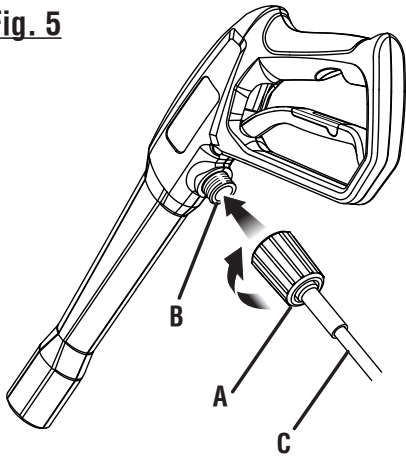
- F - Power cord storage (rangement pour cordon d'alimentation, almacenamiento del cordón eléctrico)
- G - Trigger handle (poignée de gâchette, mango del gatillo)
- H - High pressure hose (tuyau haute pression, manguera de alta presión)
- I - High pressure hose storage (rangement du tuyau flexible haute pression, almacenamiento de la manguera de alta presión)
- J - Retractable handle (poignée rétractable, mango retráctil)

Fig. 4



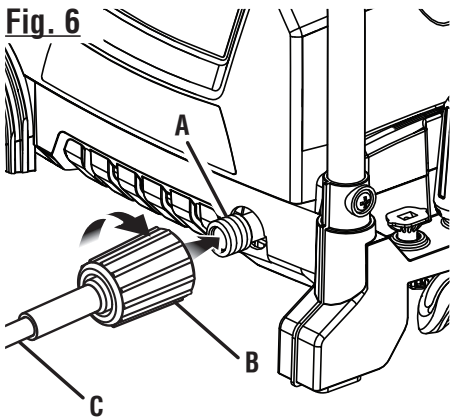
- A - Trigger handle (poignée à gâchette, mango del gatillo)
- B - Spray wand (poignée à gâchette, tubo rociador)

Fig. 5



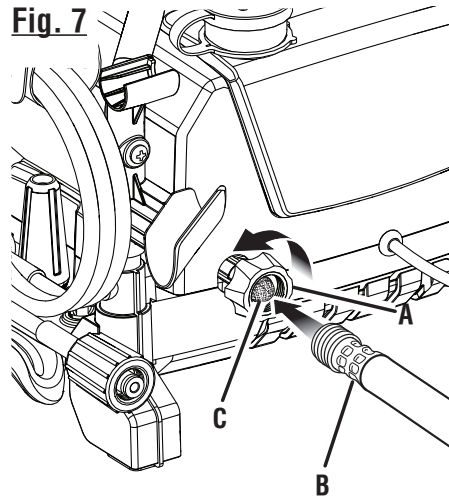
- A - Collar (collier, casquillo)
- B - Inlet coupler (raccord d'entrée, acoplador de entrada)
- C - High pressure hose (tuyau haute pression, manguera de alta presión)

Fig. 6



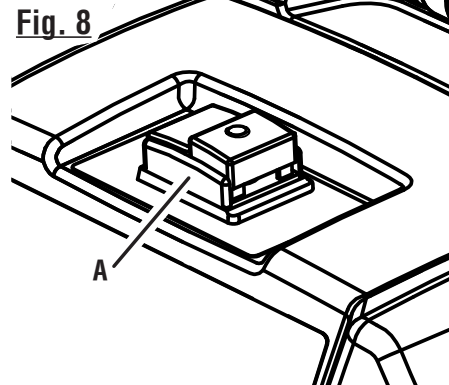
- A - Threaded outlet (raccord fileté, salida con rosca)
- B - Collar (collier, casquillo)
- C - High pressure hose (flexible haute pression, manguera de alta presión)

Fig. 7



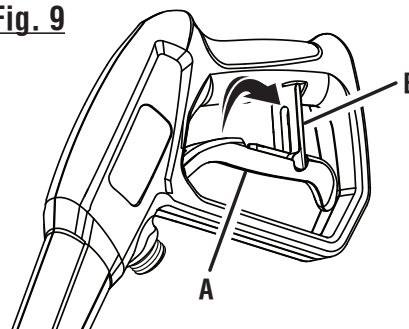
- A - Water intake (rise d'eau, entrada de agua)
- B - Garden hose (tuyau d'arrosage, manguera de jardín)
- C - Screen (tamis, cedazo)

Fig. 8



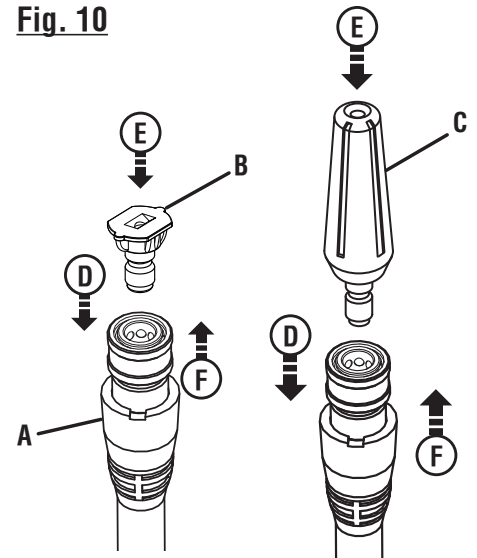
- A - On/off switch (commutateur marche / arrêt, interruptor de encendido/apagado)

Fig. 9



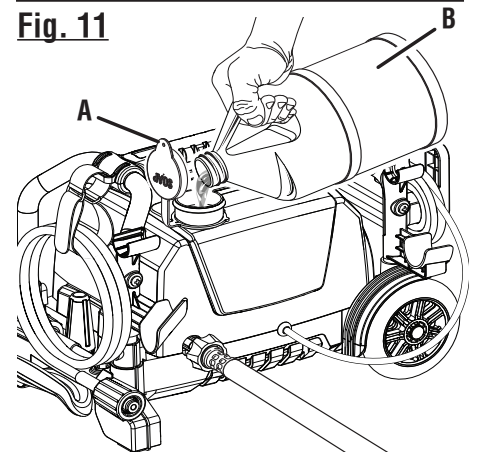
- A - Trigger (gâchette, gatillo)
- B - Lock-out (verrouillage, seguro)

Fig. 10



- A - Spray wand (lance de pulvérisation, tubo rociador)
- B - Nozzle (buse, boquilla)
- C - Turbo nozzle (buse de turbo, boquilla de turbo)
- D - Pull back the quick-connect collar (tirer la bague à connexion rapide, tire del collar de conexión rápida)
- E - Push the nozzle into place (insérer en place la buse, introduzca la boquilla en su lugar)
- F - Push the collar forward (poussez en avant la bague, empuje del collar adelante)

Fig. 11



- A - Soap tank cap (bouchon du réservoir de savon, tapa del tanque de jabón)
- B - Detergent (détergente, detergente)

Fig. 12

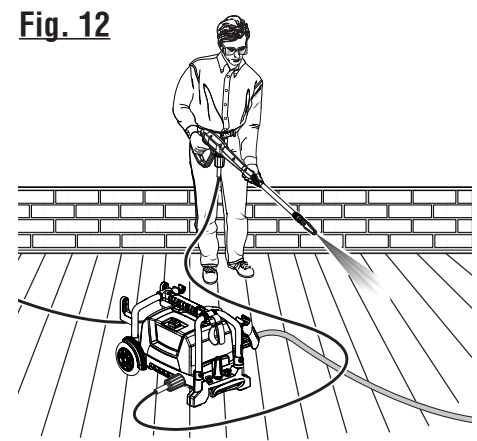
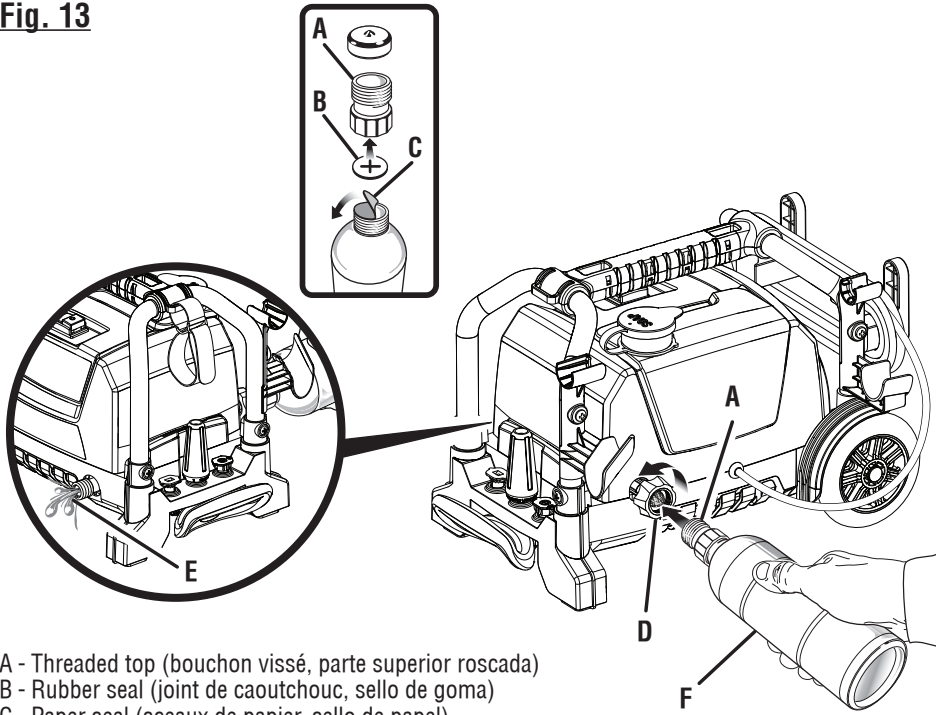


Fig. 13

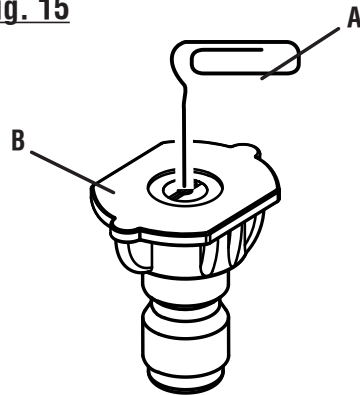


- A - Threaded top (bouchon vissé, parte superior roscada)
- B - Rubber seal (joint de caoutchouc, sello de goma)
- C - Paper seal (sceaux de papier, sello de papel)
- D - Water intake (rise d'eau, entrada de agua)
- E - Pump outlet (sortie de la pompe, orificio de descarga de la bomba)
- F - Pump protector (protecteur de pompe, protector de bomba)

Fig. 14



Fig. 15



- A - Straightened paper clip (trombone droit, clip para papel abierto)
- B - Nozzle (embout, boquilla)

Fig. 16

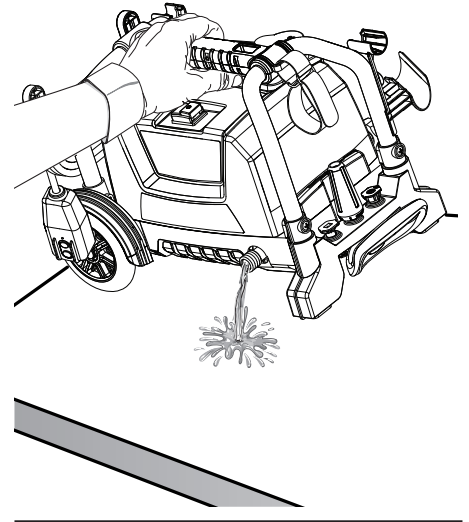
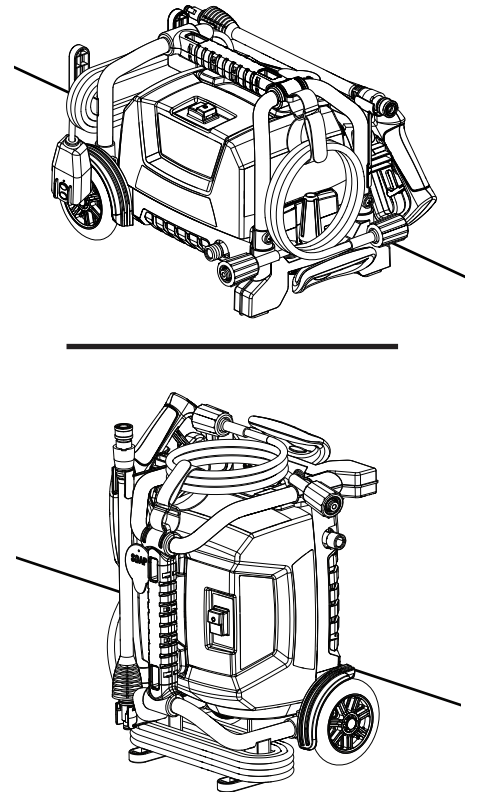


Fig. 17



IMPORTANT SAFETY INSTRUCTIONS

WARNING:

Read and understand all instructions. Failure to follow all instructions listed below may result in electric shock, fire, and/or serious personal injury.

WARNING:

When using this product basic precautions should always be followed, including the following:

READ ALL INSTRUCTIONS BEFORE USING THIS PRODUCT

- **To reduce the risk of injury,** close supervision is necessary when a product is used near children.
- **Be thoroughly familiar with controls.** Know how to stop the product and release pressure quickly.

GROUND FAULT CIRCUIT INTERRUPTER PROTECTION

This pressure washer is provided with a ground fault circuit interrupter (GFCI) built into the plug of the power supply cord. This device provides additional protection from the risk of electric shock. Should replacement of the plug or cord become necessary, use only identical replacement parts that include GFCI protection.

EXTENSION CORDS

See Figure 1.

Use only extension cords that are intended for outdoor use. These extension cords are identified by a marking “Acceptable for use with outdoor appliances; store indoors while not in use.” Use only extension cords having an electrical rating not less than the rating of the product. Do not use damaged extension cords. Examine extension cord before using and replace if damaged. Do not abuse extension cord and do not yank on any cord to disconnect. Keep cord away from heat and sharp edges. Always disconnect the extension cord from the receptacle before disconnecting the product from the extension cord. Always plug the extension cord into a GFCI protected outlet.


- **Stay alert and exercise control.** Watch what you are doing and use common sense. Do not operate product when you are tired. Do not rush.
- **Do not operate the product while under the influence of drugs, alcohol, or any medication.**
- **Keep the area of operation clear of all persons,** particularly small children, and pets.
- **Don’t overreach or stand on a ladder, rooftop, or other unstable support.** Keep proper footing and balance at all times.
- **Follow the maintenance instructions specified in this manual.**
- **This product is provided with a ground fault circuit interrupter built into the power cord plug.** If replacement of the plug or cord is needed, use only identical replacement parts.
- **WARNING: Risk of injection or injury –** Do not direct discharge stream at persons.

SAVE THESE INSTRUCTIONS

To avoid the possibility of the tool plug getting wet when using an extension cord, arrange a “drip loop” in the cord connecting the pressure washer to the extension cord. The “drip loop” is that part of the cord below the level of the connector which prevents water travelling along the cord and coming in contact with the connection. If the plug does get wet, DO NOT unplug the cord. Disconnect the fuse or circuit breaker that supplies power to the tool, then unplug and examine for presence of water in the connection.

WARNING: To reduce the risk of electrocution, keep all connections dry and off the ground. Do not touch plug with wet hands.

SERVICING OF A DOUBLE-INSULATED APPLIANCE

In a double-insulated product, two systems of insulation are provided instead of grounding. No grounding means is provided on a double-insulated product, nor should a means for grounding be added to the product. Servicing a double-insulated product requires extreme care and knowledge of the system, and should be done only by qualified service personnel. Replacement parts for a double insulated product must be identical to the parts they replace. A double-insulated product is marked with the words “DOUBLE INSULATION” or “DOUBLE INSULATED.” The symbol  may also be marked on the product.

SPECIFIC SAFETY RULES




- **Use caution when positioning the pressure washer for use.** Warm air from the motor could cause discolored spots on grass.
- **Know your product.** Read the operator's manual carefully. Learn the machine's applications and limitations as well as the specific potential hazards related to this product.
- **To reduce the risk of injury,** keep children and visitors away. All visitors should wear safety glasses and be kept a safe distance from work area.
- **Use right product.** Don't force product or attachment to do a job it was not designed for. Don't use it for a purpose not intended.
- **Dress properly.** Wear long pants and long sleeves. Do not wear loose clothing, neckties, or jewelry. They can get caught and draw you into moving parts. Rubber gloves and nonskid footwear are recommended when working outdoors. Also wear protective hair covering to contain long hair.
- **Do not operate the equipment while barefoot or when wearing sandals or similar lightweight footwear.** Wear protective footwear that will protect your feet and improve your footing on slippery surfaces.
- **Exercise caution to avoid slipping or falling.**
- **Always wear eye protection with side shields marked to comply with ANSI Z87.1.** Following this rule will reduce the risk of serious personal injury.
- **Use only recommended accessories.** The use of improper accessories may cause risk of injury.
- **Check damaged parts.** Before further use of the product, a guard or other part that is damaged should be carefully checked to determine that it will operate properly and perform its intended function. Check for alignment of moving parts, binding of moving parts, breakage of parts, mounting, and any other conditions that may affect its operation. A guard or other part that is damaged must be properly repaired or replaced by an authorized service center to avoid risk of personal injury.
- **Never leave product running unattended. Turn power off.** Don't leave product until it comes to a complete stop.
- **Keep the motor free of grass, leaves, or grease** to reduce the chance of a fire hazard.
- **Follow manufacturer's recommendations for safe loading, unloading, transport, and storage of machine.**
- **Keep product dry, clean, and free from oil and grease.** Always use a clean cloth when cleaning. Never use brake fluids, gasoline, petroleum-based products, or any solvents to clean product.
- **Check the work area before each use.** Remove all objects such as rocks, broken glass, nails, wire, or string which can be thrown or become entangled in the machine.
- **Do not use product if switch does not turn it off.** Have switch replaced by an authorized service center.
- **Avoid dangerous environment.** Don't expose to rain. Keep work area well lit.
- **Do not abuse the cord.** Never use the cord to carry the product or to disconnect the plug from an outlet. Keep cord away from heat, oil, sharp edges, or moving parts. Replace damaged cords immediately. Damaged cords increase the risk of electric shock.
- **Ground Fault Circuit Interrupter (GFCI) protection should be provided on the circuit(s) or outlet(s) to be used for the product.** Receptacles are available having built-in GFCI protection and may be used for this measure of safety.
- **To reduce the risk of electric shock, this product has a polarized plug (one blade is wider than the other) and will require the use of a polarized extension cord.** The plug will fit into a polarized extension cord only one way. If the plug does not fit fully into the extension cord, reverse the plug. If the plug still does not fit, obtain a correct polarized extension cord. A polarized extension cord will require the use of a polarized wall outlet. This plug will fit into the polarized wall outlet only one way. If the plug does not fit fully into the wall outlet, reverse the plug. If the plug still does not fit, contact a qualified electrician to install the proper wall outlet. Do not change the equipment plug, extension cord receptacle, or extension cord plug in any way.
- **Make sure your extension cord is in good condition.** When using an extension cord, be sure to use one heavy enough to carry the current your product will draw. A wire gauge size (A.W.G.) of at least **14** is recommended for an extension cord 25 feet or less in length. If in doubt, use the next heavier gauge. The smaller the gauge number, the heavier the cord. An undersized cord will cause a drop in line voltage resulting in loss of power and overheating.
- **WARNING:** Use outdoor extension cords marked SW-A, SOW-A, STW-A, STOW-A, SJW-A, SJTW-A, or SJTOWA. These cords are rated for outdoor use and reduce the risk of electric shock.
- **Inspect extension cords periodically and replace if damaged.** Keep handles dry, clean, and free from oil or grease.
- **Never direct a water stream toward people or pets, or any electrical device.**
- **Before starting any cleaning operation,** close doors and windows. Clear the area to be cleaned of debris, toys, outdoor furniture, or other objects that could create a hazard.

SPECIFIC SAFETY RULES







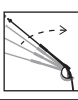


- **Do not use acids, alkalines, solvents, flammable material, bleaches, or industrial grade solutions** in this product. These products can cause physical injuries to the operator and irreversible damage to the machine.
- **WARNING: High pressure jets can be dangerous if subject to misuse.** The jet must not be directed at persons, animals, electrical devices, or the machine itself.
- **Keep the motor away from flammables and other hazardous materials.**
- **Check bolts and nuts** for looseness before each use. A loose bolt or nut may cause serious motor problems.
- **Before storing**, allow the motor to cool.
- **When servicing use only identical replacement parts.** Use of any other parts may create a hazard or cause product damage.
- **ONLY** use cold water.
- **Never pick up or carry the machine while the motor is running.**
- **Never start the machine** if ice has formed in any part of the equipment.
- **Make sure minimum clearance of 3 feet is maintained from combustible materials.**
- **Never spray close to the surface to be cleaned**, as you can damage the surface.
- **After stopping the motor, always pull the trigger on the trigger handle to relieve stored pressure in the high pressure hose.** Failure to do so could result in serious personal injury.
- **Ensure the high pressure hose is properly connected before using the product.**
- **Connect pressure washer only to an individual branch circuit.**
- **Hold the trigger handle securely with both hands.** Expect the trigger handle to move when the trigger is pulled due to reaction forces. Failure to do so could cause loss of control and injury to yourself and others.
- **For outdoor use only.**
- **Save these instructions.** Refer to them frequently and use them to instruct other users. If you loan someone this product, loan them these instructions also.

SYMBOLS

The following signal words and meanings are intended to explain the levels of risk associated with this product.


SYMBOL	SIGNAL	MEANING
	DANGER:	Indicates a hazardous situation, which, if not avoided, will result in death or serious injury.
	WARNING:	Indicates a hazardous situation, which, if not avoided, could result in death or serious injury.
	CAUTION:	Indicates a hazardous situation, that, if not avoided, may result in minor or moderate injury.
	NOTICE:	(Without Safety Alert Symbol) Indicates information considered important, but not related to a potential injury (e.g. messages relating to property damage).

Some of the following symbols may be used on this product. Please study them and learn their meaning. Proper interpretation of these symbols will allow you to operate the product better and safer.

SYMBOL	NAME	DESIGNATION/EXPLANATION
	Safety Alert	Indicates a potential personal injury hazard.
	Read Operator's Manual	To reduce the risk of injury, user must read and understand operator's manual before using this product.
	Eye Protection	Always wear eye protection with side shields marked to comply with ANSI Z87.1.
	Wet Conditions Alert	Do not expose to rain or use in damp locations, and never direct a water stream toward any electrical device.
	Risk of Injection	To reduce the risk of injection or injury, never direct a water stream towards people or pets or place any body part in the stream. Leaking hoses and fittings are also capable of causing injection injury. Do not hold hoses or fittings.
	Risk of Explosion	Do not spray flammable liquids. Flammable liquids and their vapors are explosive and can cause severe burns or death.
	Kickback	To reduce the risk of injury from kickback, hold the spray wand securely with both hands when the machine is on.
	Electric Shock	Do not use near electric power lines or receptacle outlets.
	Chemical Burns	To reduce the risk of injury or damage, DO NOT USE ACIDS, ALKALINES, BLEACHES, SOLVENTS, FLAMMABLE MATERIAL, OR INDUSTRIAL GRADE SOLUTIONS in this product.

SYMBOLS

Some of the following symbols may be used on this product. Please study them and learn their meaning. Proper interpretation of these symbols will allow you to operate the product better and safer.

SYMBOL	NAME	DESIGNATION/EXPLANATION
V	Volts	Voltage
A	Amperes	Current
Hz	Hertz	Frequency (cycles per second)
W	Watt	Power
~	Alternating Current	Type of current
n_0	No Load Speed	Rotational speed, at no load
	Class II Construction	Double-insulated construction
.../min	Per Minute	Revolutions, strokes, surface speed, orbits etc., per minute

ELECTRICAL

DOUBLE INSULATION

Double insulation is a concept in safety in electric power tools, which eliminates the need for the usual three-wire grounded power cord. All exposed metal parts are isolated from the internal metal motor components with protecting insulation. Double insulated products do not need to be grounded.



WARNING:

The double insulated system is intended to protect the user from shock resulting from a break in the product's internal insulation. Observe all normal safety precautions to avoid electrical shock.

NOTE: Servicing of a product with double insulation requires extreme care and knowledge of the system and should be performed only by a qualified service technician. For service, we suggest you return the product to your nearest authorized service center for repair. Always use original factory replacement parts when servicing.

ELECTRICAL CONNECTION

This product has a precision-built electric motor. It should be connected to a **power supply that is nominal 120V/60Hz AC (typical U.S. household circuit)**. Do not operate this product on direct current (DC). A substantial voltage drop will cause a loss of power and the motor will overheat. If the product does not operate when plugged into an outlet, double-check the power supply.

EXTENSION CORDS

When using a power tool at a considerable distance from a power source, be sure to use an extension cord that has the capacity to handle the current the product will draw. An undersized cord will cause a drop in line voltage, possibly resulting in **overheating, loss of power, and/or circuit breaker or GFCI tripping**. Use the chart to determine the minimum wire size required in an extension cord. Only round jacketed cords listed by Underwriter's Laboratories (UL) should be used.

When working outdoors with a product, use an extension cord that is designed for outside use. This type of cord is designated with "WA" or "W" on the cord's jacket.

Before using any extension cord, inspect it for loose or exposed wires and cut or worn insulation.

It is possible to tie the extension cord and power cord in a knot to prevent them from becoming disconnected during use. Make a knot, then connect the plug end of the power cord into the receptacle end of the extension cord. This method can also be used to tie two extension cords together.

USE ONLY THIS SIZE EXTENSION CORD WHEN USING THIS PRODUCT:

Cord Length	Wire Size (A.W.G.)
25 ft.	14
50 ft.	12
100 ft.	Not Allowed

NOTE: A.W.G. = American Wire Gauge

ELECTRICAL

WARNING:

Keep the extension cord clear of the working area. Position the cord so that it will not get caught on lumber, tools, or other obstructions while you are working with a power tool. Failure to do so can result in serious personal injury.

WARNING:

Check extension cords before each use. If damaged replace immediately. Never use the product with a damaged cord since touching the damaged area could cause electrical shock resulting in serious injury.

GROUND FAULT CIRCUIT INTERRUPTER

See Figure 2.

This unit is equipped with a Ground Fault Circuit Interrupter (GFCI), which guards against the hazards of ground fault currents. An example of ground fault current is the current that would flow through a person who is using an appliance

with faulty insulation and, at the same time, is in contact with an electrical ground such as a plumbing fixture, wet floor, or earth.

GFCI plugs do not protect against short circuits, overloads, or shocks.

NOTE: To ensure readiness for use, press the reset button each time you connect the pressure washer to the power supply.

The GFCI plug can be tested with the TEST and RESET buttons.

To test:

- Press the TEST button. You will hear a “click” sound and the LED light will go out.
- To restore power, press the RESET button. The LED light will illuminate to indicate power has been restored.

Perform this test monthly to ensure proper operation of the GFCI.

- **To reduce the risk of electric shock the supervisory circuit must be operated before an appliance is plugged into any receptacle on the device.**

FEATURES

PRODUCT SPECIFICATIONS

Maximum Pounds Per Square Inch*	1,800 psi
Maximum Gallons Per Minute	1.2 GPM
Input	120 V, AC only, 60 Hz, 13 Amps

*Max rating determined by PWMA Standard 101

KNOW YOUR PRESSURE WASHER

See Figure 3.

The safe use of this product requires an understanding of the information on the product and in this operator’s manual as well as a knowledge of the project you are attempting. Before use of this product, familiarize yourself with all operating features and safety rules.

AUTOMATIC DETERGENT INJECTION SYSTEM

Pour detergent into the soap tank to apply detergent quickly and easily to your cleaning project. Use of the soap nozzle will activate the detergent injector at a 20:1 dilution ratio.

CARRYING HANDLE

The pressure washer has a carrying handle for easy transport.

GFCI PLUG

The pressure washer is equipped with a GFCI plug to guard against the hazards of ground fault currents. This plug does not protect against short circuits, overloads, or shocks.

HOSE STORAGE

Once the high pressure hose is rolled, hang it on the left side of the machine using the hook-and-loop strap to secure in place.

ON/OFF SWITCH

This switch turns the pressure washer on and off.

POWER CORD STORAGE

Once the power cord is rolled, hang it on the right side of the machine using the hook-and-loop strap to secure in place.

FEATURES

RETRACTABLE HANDLE

The pressure washer is equipped with a retractable handle that can be adjusted for storage and transportation.

SOAP NOZZLE

The blue or black soap nozzle is used to apply detergent at low pressure only.

SOAP TANK

Remove the cap from the soap tank to add detergent to the pressure washer.

TRIGGER HANDLE

The trigger handle has a gripping surface that provides added control of the spray wand and helps reduce fatigue.

TRIGGER WITH LOCK-OUT

Pulling the trigger releases a stream of water for high pressure cleaning. The lock-out provides protection against unauthorized use.

ASSEMBLY

UNPACKING

This product requires assembly.

- Carefully remove the product and any accessories from the box. Make sure that all items listed in the packing list are included.

WARNING:

Do not use this product if any parts on the Packing List are already assembled to your product when you unpack it. Parts on this list are not assembled to the product by the manufacturer and require customer installation. Use of a product that may have been improperly assembled could result in serious personal injury.

- Inspect the product carefully to make sure no breakage or damage occurred during shipping.
- Do not discard the packing material until you have carefully inspected and satisfactorily operated the product.
- If any parts are damaged or missing, please call 1-800-860-4050 for assistance.

PACKING LIST

Electric Pressure Washer
25 ft. High Pressure Hose
Trigger Handle
Spray Wand
Nozzles (15°, Turbo, Soap)
Operator's Manual

WARNING:

If any parts are damaged or missing do not operate this product until the parts are replaced. Use of this product with damaged or missing parts could result in serious personal injury.

WARNING:

Do not attempt to modify this product or create accessories not recommended for use with this product. Any such alteration or modification is misuse and could result in a hazardous condition leading to possible serious personal injury.

WARNING:

Do not connect to power supply until assembly is complete. Failure to comply could result in accidental starting and possible serious personal injury.

CONNECTING THE SPRAY WAND TO THE TRIGGER HANDLE

See Figure 4.

- Push the end of the spray wand into the trigger handle and rotate clockwise to secure.
- Pull on the spray wand to be certain it is properly secured.

CONNECTING THE HIGH PRESSURE HOSE TO THE TRIGGER HANDLE

See Figure 5.

- Screw the collar on the high pressure hose into the trigger handle inlet coupler by turning the hose collar clockwise. Tighten securely.
NOTE: Be careful to avoid cross-threading, which can cause the trigger handle to leak during use.
- Pull on the hose to be certain it is properly secured.

ASSEMBLY

CONNECTING THE HIGH PRESSURE HOSE TO THE PUMP

See Figure 6.

- Completely uncoil and straighten the high pressure hose to prevent kinks.

NOTE: See **Using the High Pressure Hose** in *Operation* for more information about using the high pressure hose.

- Align the collar on the hose to the threaded outlet on the pump.
- Install the high pressure hose collar onto the threaded outlet.
- Turn the collar clockwise to tighten the hose securely to the pump.

NOTE: Be careful to avoid cross-threading, which can cause the hose to leak during use.

- Pull on the hose to be certain it is properly secured.

CONNECTING THE GARDEN HOSE TO THE PRESSURE WASHER

See Figure 7.

NOTICE:

Always observe all local regulations when connecting hoses to the water main. Some areas have restrictions against connecting directly to public drinking water supply to prevent the feedback of chemicals into the drinking water supply. Direct connection through a receiver tank or backflow preventer is usually permitted.

The water supply must come from a water main. NEVER use hot water or water from pools, lakes, etc. Before connecting the garden hose to the pressure washer:

- Run water through the hose for 30 seconds to clean any debris from the hose.
- Inspect the screen in the water intake.
- If the screen is damaged, do not use the machine until the screen has been replaced.
- If the screen is dirty, clean it before connecting the garden hose to the machine.

To connect the garden hose to the machine:

- Completely uncoil the garden hose or remove completely from reel to prevent kinks.

NOTE: There must be a minimum of 10 feet of unrestricted hose between the pressure washer intake and the hose faucet or shut off valve (such as a “Y” shut off connector).

- With the hose faucet turned completely off, attach the end of the garden hose to the water intake. Tighten by hand.

NOTICE:

Do not run the pressure washer without water supply connected and turned on, as this may damage the high pressure seals and decrease pump life. Completely unwind the hose from its reel or coil and make sure the hose is not being restricted by tires, rocks, or any other objects that may lessen or prevent water flow to the pressure washer.

OPERATION

WARNING:

Do not allow familiarity with the product to make you careless. Remember that a careless fraction of a second is sufficient to inflict serious injury.

WARNING:

Always wear eye protection with side shields marked to comply with ANSI Z87.1. Failure to do so could result in objects being thrown into your eyes resulting in possible serious injury.

WARNING:

Do not use any attachments or accessories not recommended by the manufacturer of this product. The use of attachments or accessories not recommended can result in serious personal injury.

WARNING:

Never direct a water stream toward people or pets, or any electrical device. Failure to follow these instructions could result in serious injury, electric shock, or death.

OPERATION

NOTICE:

Before each use, inspect the entire product for damaged, missing, or loose parts such as screws, nuts, bolts, caps, etc. Tighten securely all fasteners and caps and do not operate this product until all missing or damaged parts are replaced. Please call customer service or contact an authorized service center for assistance.

APPLICATIONS

You may use this tool around the house for cleaning most small to large horizontal or vertical exterior surfaces, smaller exterior objects and structures, and outdoor equipment and tools.* You can:

- Clean or remove mold and mildew from weathered decks, driveways, patios, walkways, sidewalks, etc.
- Remove dirt from various exterior vertical surfaces such as house exteriors, siding, fences, brick, concrete or stone walls, etc.
- Wash boats, outdoor furniture, powered or non-powered garden equipment, gutters, window screens, grills, playground equipment, etc.

**Always test in an inconspicuous area first.*

STARTING AND STOPPING THE PRESSURE WASHER

See Figure 8.

NOTICE:

Do not run the pressure washer without water supply connected and turned on, as this may damage the high pressure seals and decrease pump life. Completely unwind the hose from its reel or coil and make sure the hose is not being restricted by tires, rocks, or any other objects that may lessen or prevent water flow to the pressure washer.

Before starting the motor:

- Connect the garden hose.

NOTE: Make sure the pressure washer's water intake screen is in place and unclogged before connecting garden hose.

- Turn on the garden hose then pull the trigger to relieve air pressure; hold the trigger until a steady stream of water appears.

NOTE: Make sure the faucet is turned on fully and that there are no kinks or leaks in the hose.

To start the motor:

- With the on/off switch in the off position (O), connect the pressure washer to the power supply.

NOTE: If using an extension cord, make sure to arrange a drip loop as described on page 2.



WARNING:

To reduce the risk of electrocution, keep all connections dry and off the ground. Do not touch plug with wet hands.

- Press the reset button on the pressure washer's plug to make sure the unit is ready for operation.
- Put the on/off switch in the on position (I) to start the motor.

To stop the motor:

- Put the on/off switch in the off position (O).
- Pull trigger to release water pressure.

NOTE: The pressure washer may be on and the system may have pressure even when the pump and/or motor cannot be heard running. Always use caution around the pressure washer.

USING THE TRIGGER HANDLE

See Figure 9.



WARNING:

Hold the trigger handle securely with both hands. Expect the trigger handle to move when the trigger is pulled due to reaction forces. Failure to do so could cause loss of control and injury to yourself and others.

- Pull back and hold the trigger to operate the pressure washer.
- Release the trigger to stop the flow of water through the nozzle.

To engage the lock out:

- Push up on the lock out until it clicks into the slot.

To disengage the lock out:

- Push the lock out down and into its original position.

Start with the nozzle 1–2 ft. away from the cleaning surface and carefully approach the surface just until the desired level of cleaning is achieved. If the spray is too close it can damage the cleaning surface.

OPERATION

SELECTING THE RIGHT NOZZLE FOR THE JOB

See Figure 10.

Each of the nozzles has a different spray pattern. Before starting any cleaning job, determine the best nozzle for the job. Refer to the **Nozzle Selection Guide** for more information about which nozzle to choose.

WARNING:

NEVER remove nozzles without first turning off the motor, disconnecting the power supply, relieving the water pressure in the trigger handle, and locking the lock out on the trigger handle. NEVER point the nozzle at your face or at others. The quick-connect feature contains small springs that could eject the nozzle with some force. Failure to follow these instructions could result in an eye injury or other serious personal injury.

To connect a nozzle to the spray wand:

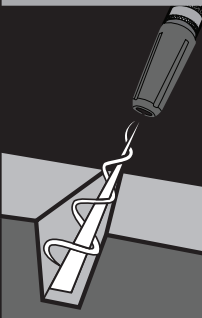










- Turn off the pressure washer, disconnect the power supply, and shut off the water supply. **Pull trigger to release water pressure.**

- Engage the lock-out on the trigger handle by pushing up on the lock-out until it clicks into the slot.
- Pull back the quick-connect collar.
- Push the nozzle into place in the spray wand.
- Push the collar forward so that the nozzle is secured properly. Check to see that the nozzle is secure.

To disconnect a nozzle from the spray wand once the cleaning job is complete:

- Turn off the pressure washer, disconnect the power supply, and shut off the water supply. **Pull trigger to release water pressure.**
- Engage the lock-out on the trigger handle by pushing up on the lock-out until it clicks into the slot.
- Pull back and hold the quick-connect collar.
- Remove the nozzle by pulling it from the quick-connect collar. Place nozzle in the nozzle storage area on the top of the machine.

NOZZLE SELECTION GUIDE

TURBO NOZZLE		15°	SOAP	HIGH PRESSURE (NO SOAP WHEN USING THESE NOZZLES)	LOW PRESSURE (FOR SOAP OR GENTLE RINSE)	
						
						
Concrete, Brick, Masonry		✓	✓	✓	✓	
Siding, Gutters, House			✓	✓	✓	
Fencing, Deck, Patio			✓	✓	✓	
Lawn Equipment, Boat, RV			✓	✓	✓	
				✓ Recommended Nozzle	✓ Use With Caution for Certain Applications	

OPERATION

USING THE HIGH PRESSURE HOSE

WARNING:

Injection hazard. Fully unwrap and straighten high pressure hose prior to and during each use and do not allow it to become kinked. The high pressure hose features an outer covering that provides strength to the hose. If the outer covering becomes damaged, stop using the hose and replace it immediately. A kinked or damaged hose can develop a high pressure leak and result in a possible injection or other serious personal injury.

To prevent damage to the outer covering:

- Inspect the hose before every use.
- Fully unwrap and straighten hose before use.
- Do not allow the high pressure hose to be kinked.
- Keep hose away from hot surfaces and sharp edges.
- Do not pull unit by high pressure hose.
- Do not allow hose to be crushed or wrapped around objects.

WASHING WITH DETERGENT

See Figures 11 - 12.

As sold, this unit is designed for use with “downstream” pressure washer detergents. To convert for use with “upstream” detergents, contact customer service or an authorized customer service center for more information.

NOTICE:

USE ONLY DETERGENTS DESIGNED FOR PRESSURE WASHERS. Do not use household detergents, acids, alkalines, bleaches, solvents, flammable material, or industrial grade solutions, which can damage the pump or cause property damage. Many detergents may require mixing prior to use. Prepare cleaning solution as instructed on the solution bottle. Always test in an inconspicuous area before beginning.

- Disconnect pressure washer from power supply.
- Pour detergent in the soap tank. Use a funnel, if needed, to prevent accidental spilling of the detergent outside the tank. If any detergent is spilled during the filling process, make sure the unit is cleaned and dried before proceeding.
NOTE: The machine setting of this unit is 20:1, which usually allows the use of 1 gallon pressure washer detergent without further dilution. Check your detergent instructions to be sure additional dilution is not necessary.
- Install the blue or black soap nozzle on the spray wand.
- Connect unit to power supply and turn the pressure washer on.
- Squeeze the trigger and wait approximately 5 seconds for the detergent to appear.

- Spray the detergent on a dry surface using long, even, overlapping strokes. To prevent streaking, do not allow detergent to dry on the surface.

Before shutting off the motor:

- Fill the soap tank with clean water.
- Spray the clear water through the spray wand until the tank is empty.
- If any soap remains in the spray, repeat with a second tank of clean water.
- Shut off the motor.

NOTE: Shutting off the motor will not relieve pressure in the system. **Pull trigger to release water pressure.**

RINSING WITH THE PRESSURE WASHER

- Turn off the pressure washer and shut off the water supply. **Pull trigger to release water pressure.**
- Engage the lock out on the trigger handle by pushing up on the lock out until it clicks into the slot.
- Remove the soap nozzle by placing hand over nozzle then pulling back the quick-connect collar. Place soap nozzle in the nozzle storage area on the machine.
- Select the right nozzle for the job. See the chart on the previous page for selecting the appropriate nozzle.
- Start at the top of the area to be rinsed and work down, overlapping the strokes.

USING PUMP PROTECTOR

See Figure 13.

Regular use of a commercially available pump protector prolongs the life of the pressure washer by removing hard water mineral deposits, lubricating pump seals and pistons, and preventing freeze damage. Pump protector should be added to the unit after every use and before storage. Pump protector can be purchased at the retailer where you purchased your pressure washer, or by calling customer service.

The instructions that follow are typical for adding pump protector but you should always verify the specific instructions provided by the manufacturer of the pump protector used.

- Turn off the pressure washer motor, disconnect the power supply, and shut off the water supply. **Pull trigger to release water pressure.**
- Disconnect garden hose and high pressure hose.
- Unscrew threaded top from pump protector bottle and remove paper seal from bottle. Reinstall top on bottle and tighten securely.
NOTE: The rubber seal should remain inside the threaded top. If it comes out, be sure to replace before reinstalling the top.
- Remove bottle cap and attach threaded end of bottle securely to pressure washer pump water intake.

OPERATION

- Squeeze bottle to inject contents into pump.
- Pump is protected when the protector fluid exits the pump outlet.

MOVING THE PRESSURE WASHER

See Figure 14.

- Turn the pressure washer off. Point nozzle in a safe direction and pull trigger to release water pressure.
- Disconnect pressure washer from power supply.
- Pull the retractable handle out or carry by the carry handle.

- Using the retractable handle, face the front of the pressure washer, grasp the retractable handle firmly with one hand.
- Lift the pressure washer toward you until it balances on the wheels.
- Move to the desired location then lower the pressure washer until it sits securely on a flat surface.
- Using the carrying handle, get a firm grasp of the unit. Lift the unit into a safe and comfortable carrying position. Move machine to the desired location.

MAINTENANCE

WARNING:

Before inspecting, cleaning, or servicing the machine, shut off motor, wait for all moving parts to stop, disconnect unit from power supply, and pull trigger to release water pressure. Failure to follow these instructions can result in serious personal injury or property damage.

WARNING:

Always wear eye protection with side shields marked to comply with ANSI Z87.1. Failure to do so could result in objects being thrown into your eyes, resulting in possible serious injury.

WARNING:

When servicing, use only identical replacement parts. Use of any other parts could create a hazard or cause product damage.

NOTICE:

Periodically inspect the entire product for damaged, missing, or loose parts such as screws, nuts, bolts, caps, etc. Tighten securely all fasteners and caps and do not operate this product until all missing or damaged parts are replaced. Please call customer service or contact an authorized service center for assistance.

GENERAL MAINTENANCE

Avoid using solvents when cleaning plastic parts. Most plastics are susceptible to damage from various types of commercial solvents and may be damaged by their use. Use clean cloths to remove dirt, dust, oil, grease, etc.

WARNING:

Do not at any time let brake fluids, gasoline, petroleum-based products, penetrating oils, etc., come in contact with plastic parts. Chemicals can damage, weaken, or destroy plastic which could result in serious personal injury.

POWER SUPPLY CORD REPLACEMENT

If replacement of the power supply cord is necessary, this must be done by an authorized service center in order to avoid a safety hazard.

PUMP LUBRICATION

The pump on this unit is lubricated with a sufficient amount of high grade lubricant for the life of the unit under normal operating conditions. Therefore, no further lubrication is required.

PUMP MAINTENANCE

Routinely make a visual inspection of the pump. If you notice any leaking of lubricant around the pump seals, take the pressure washer to an authorized service center for repair. There are no user serviceable parts to the pressure washer pump. Any attempt to service or alter the pump may damage the pressure washer and void your product warranty.

MAINTENANCE

NOZZLE MAINTENANCE

See Figure 15.

Excessive pump pressure (a pulsing sensation felt while squeezing the trigger) may be the result of a clogged or dirty nozzle.

- Turn off the pressure washer and shut off the water supply. **Pull trigger to release water pressure.**
- Unplug the pressure washer.
- Remove the nozzle from the spray wand.

WARNING:

NEVER remove nozzles without first turning off the motor, relieving the water pressure in the trigger handle, and locking the lock out on the trigger handle. NEVER point the nozzle at your face or at others. The quick-connect feature contains small springs that could eject the nozzle with some force. Failure to follow these instructions could result in an eye injury or other serious personal injury.

- To free any foreign materials clogging or restricting the nozzle, blow out or remove debris with a straightened paper clip or fine needle (not included).
- Using a garden hose, flush debris out of nozzle by back flushing (running the water through the nozzle backwards or from the outside to the inside).
- Reconnect the nozzle to the spray wand.
- Reinstall the garden hose and connect the unit to the power supply.

STORING THE PRESSURE WASHER

See Figures 16 - 17.

NOTE: Regular use of pump protector will give you better performance of the unit and increase the life of the pump.

Store in a dry, covered area where the weather can't damage it.

It is important to store this product in a frost-free area. Always empty water from all hoses, the pump, and the soap tank before storing.

- Make sure the on/off switch is in the off (O) position.
- Unplug the pressure washer and store the power cord by wrapping the cord around the brackets on the back of the unit.
- Disconnect both the high pressure hose and the garden hose from the pump.
- Neatly coil the high pressure hose and store with hook and loop strap.
- Tilt the unit as shown to allow any remaining water in the pump to drain from the water inlet.

NOTICE:

If the location where your pressure washer is stored will fall below 32°F, the use of a pump protector is required before storing to prevent freeze damage. Freeze damage will void your warranty.

- Turn the spray wand counterclockwise to remove it from the trigger handle. Store the unassembled spray wand and trigger handle in their storage areas.
- Store the unit and accessories in an area that does not reach freezing temperatures. Do not store near furnace or other sources of heat that could dry out the pump seals.

NOTE: This unit may be stored in a horizontal or vertical position.

This product has a Three-year Limited Warranty for personal, family, or household use (90 days for business or commercial use). For warranty details, visit www.ryobitools.com or call (toll free) 1-800-860-4050.

TROUBLESHOOTING

PROBLEM	POSSIBLE CAUSE	SOLUTION
Pressure washer does not start when trigger is depressed	<p>Power cord not connected to power source</p> <p>The on/off switch is in the off position (O)</p> <p>GFCI is tripped</p> <p>House/shop circuit breaker is tripped</p> <p>Water pressure in hose</p>	<p>Connect the power cord to a live 120V AC, 60 Hz AC receptacle.</p> <p>Put the on/off switch in the on position (I).</p> <p>Press reset button on the GFCI plug.</p> <p>Reset house/shop breaker. Make sure pressure washer is connected to an individual branch circuit only. If using an extension cord, make sure it is heavy enough to carry the current of the pressure washer.</p> <p>Squeeze trigger to relieve water pressure.</p>
Pump doesn't produce pressure	<p>Inadequate water supply</p> <p>Trigger handle leaks</p> <p>Nozzle is clogged</p> <p>Pump is faulty</p> <p>Air in line</p> <p>Water inlet filter is clogged or dirty</p>	<p>Provide adequate water flow.</p> <p>Check connections and / or replace trigger handle.</p> <p>Clean nozzle.</p> <p>Contact authorized service center.</p> <p>Squeeze trigger on trigger handle to remove air from line.</p> <p>Remove the water inlet filter, rinse with warm water, then replace in unit.</p>
Machine doesn't reach high pressure	<p>Diameter of garden hose is too small</p> <p>Water supply is restricted</p> <p>Not enough inlet water</p> <p>Hose is leaking</p> <p>Kink in hose</p>	<p>Replace with 3/4 in. garden hose.</p> <p>Check garden hose for kinks, leaks, and blockages.</p> <p>Open water source full force.</p> <p>Replace hose.</p> <p>Eliminate kinks in hose.</p>
No detergent	<p>Soap tank is empty</p> <p>Water supply is inadequate or clogged</p> <p>Wrong nozzle is attached</p>	<p>Add additional detergent to tank.</p> <p>Check garden hose for kinks, leaks and blockages.</p> <p>Attach blue or black soap nozzle.</p>
Wand leaks	<p>O-ring needs replacing</p>	<p>Replace o-ring. If this does not correct the problem, contact your authorized service center to purchase a new wand.</p>

If problem persists after trying the above solutions, contact customer service or an authorized service center for assistance.

INSTRUCTIONS IMPORTANTES CONCERNANT LA SÉCURITÉ

AVERTISSEMENT :

Lire attentivement toutes les instructions. Le non-respect de toutes les instructions ci-dessous peut entraîner un choc électrique, un incendie et/ou des blessures graves.

AVERTISSEMENT :

Lors de l'utilisation de ce produit, toujours suivre les consignes de base, notamment :

LIRE TOUTES LES INSTRUCTIONS AVANT D'UTILISER CE PRODUIT

- **Pour réduire les risques de blessures**, porter une attention particulière lorsque le produit est utilisé en présence d'enfants.
- **Se familiariser complètement avec les commandes.** Veiller à savoir arrêter la machine et relâcher la pression rapidement.

PROTECTION D'UN DISJONCTEUR DE FUITE À LA TERRE

Cette laveuse à pression est fournie avec un disjoncteur de fuite à la terre intégré dans la fiche du cordon d'alimentation. Ce dispositif offre une protection supplémentaire contre les décharges électriques. S'il est nécessaire de procéder au remplacement de la fiche ou du cordon, utiliser exclusivement des pièces identiques à celles d'origine qui incluent un disjoncteur de fuite à la terre.

CORDONS PROLONGATEURS

Voir la figure 1.

Utiliser uniquement des cordons prolongateurs conçus pour l'extérieur. Ces cordons prolongateurs sont étiquetés « Compatibles avec les appareils extérieurs; entreposer à l'intérieur lorsque le produit n'est pas utilisé ». Utiliser uniquement des cordons prolongateurs dont les caractéristiques électriques ne sont pas inférieures à la puissance du produit. Ne pas utiliser des cordons prolongateurs endommagés. Examiner le cordon prolongateur avant de l'utiliser et le remplacer s'il est endommagé. Ne pas malmener les cordons prolongateurs ni tirer d'un coup sec dessus pour les débrancher. Garder le cordon à l'écart de la chaleur et des rebords tranchants. Toujours débrancher le cordon prolongateur de la prise de courant avant de débrancher le produit du cordon prolongateur. Toujours brancher le cordon prolongateur dans une prise protégée par un disjoncteur de fuite de terre.


- **Rester vigilant et garder le contrôle.** Se montrer attentif et faire preuve de bon sens. Ne pas utiliser le produit en état de fatigue. Ne pas se presser.
- **Ne pas utiliser ce produit sous l'influence de l'alcool, de drogues ou de médicaments.**
- **Ne laisser personne approcher la zone de travail**, particulièrement les petits enfants et les animaux domestiques.
- **Ne pas travailler hors de portée ou se tenir sur une échelle, un échafaudage, un toit ou un surface instable.** Toujours se tenir bien campé et en équilibre.
- **Suivre les instructions d'entretien décrites dans le présent manuel.**
- **Ce produit est fourni avec un disjoncteur de fuite à la terre intégré dans la fiche du cordon d'alimentation.** S'il est nécessaire de procéder au remplacement de la fiche ou du cordon, utiliser exclusivement des pièces identiques à celles d'origine.
- **AVERTISSEMENT : Risque d'injection ou de blessures –** ne pas diriger le jet directement vers quelqu'un.

CONSERVER CES INSTRUCTIONS

Pour éviter que la fiche de l'outil ne se mouille au moment d'utiliser un cordon prolongateur, installer une « boucle d'égouttement » sur le cordon qui relie la laveuse à pression au cordon prolongateur. La « boucle d'égouttement » est la partie du cordon située sous le connecteur qui empêche l'eau de suivre le cordon et d'entrer en contact avec la prise. Si la fiche est mouillée, NE PAS débrancher le cordon. Débrancher le fusible ou le disjoncteur qui alimente l'outil, puis débrancher ce dernier en vérifiant si de l'eau s'est infiltrée dans la prise.

AVERTISSEMENT : Pour réduire le risque d'électrocution, garder toutes les connexions au sec et au-dessus du sol. Ne pas manipuler la fiche avec les mains mouillées.

LA RÉPARATION D'UN APPAREIL À DOUBLE ISOLATION

Le produit à double isolation comprend deux systèmes d'isolation au lieu d'un système de mise à la terre. Aucun appareil à double isolation ne comprend et ne requiert de dispositif de mise à la terre. La réparation de ce produit exige des précautions extrêmes et une bonne connaissance du système; c'est pourquoi elle doit être confiée à un technicien qualifié. Utiliser exclusivement des pièces de remplacement identiques à celles d'origine. Les mots « DOUBLE ISOLATION » sont indiqués sur les outils à double isolation. Le symbole  peut également être indiqué sur le produit.

RÈGLES DE SÉCURITÉ PARTICULIÈRES

- **Se montrer prudent lorsque l'on installe le laveuse à pression pour son utilisation.** L'air chaud du moteur peut causer des zones de décoloration sur l'herbe.
- **Apprendre à connaître le produit.** Lire attentivement le manuel d'utilisation. Apprendre les applications et les limites de le produit, ainsi que les risques spécifiques relatifs à son utilisation.
- **Pour réduire les risques de blessures,** garder les enfants et visiteurs à l'écart. Tous les visiteurs doivent porter des lunettes de sécurité et se tenir à bonne distance de la zone de travail.
- **Utiliser le produit approprié.** Ne pas utiliser le produit ou un accessoire pour effectuer un travail pour lequel il n'est pas conçu. Ne pas utiliser le produit pour une application non prévue.
- **Porter une tenue appropriée.** Porter des pantalons longs et manches longues. Ne pas porter de vêtements amples, cravate ou bijoux. Ces articles pourraient être happés et tirer la main ou une partie du corps dans les pièces en mouvement. Des gants en caoutchouc et des chaussures antidérapantes sont recommandées pour le travail à l'extérieur. Les cheveux longs doivent être ramassés sous un couvre-chef.
- **Ne pas faire fonctionner l'équipement pied-nu ou en portant des sandales ou des chaussures légères similaires.** Porter des chaussures de sécurité protégeant les pieds et améliorant l'équilibre sur des surfaces glissantes.
- **Faire preuve de prudence pour éviter de glisser ou tomber.**
- **Toujours porter une protection oculaire avec écrans latéraux certifiée conforme à la norme ANSI Z87.1.** Le respect de cette règle réduira les risques de blessures graves.
- **N'utiliser que les accessoires recommandés.** L'emploi de tout accessoire inadapté peut présenter un risque de blessure.
- **Vérifier l'état des pièces.** Avant d'utiliser le produit de nouveau examiner soigneusement les pièces et dispositifs de protection qui semblent endommagés afin de déterminer s'ils fonctionnent correctement et s'ils remplissent les fonctions prévues. Vérifier l'alignement des pièces mobiles, s'assurer qu'aucune pièce n'est bloquée ou cassée, vérifier la fixation de chaque pièce et s'assurer qu'aucun autre problème ne risque d'affecter le bon fonctionnement de le produit. Pour éviter les risques de blessures, toute protection ou pièce endommagée doit être correctement réparée ou remplacée dans un centre de réparations agréé.
- **Ne jamais laisser un produit en fonctionnement sans surveillance.** Ne pas s'éloigner de le produit avant qu'il soit parvenu à un arrêt complet.
- **Garder le moteur dépourvu d'herbe, feuilles ou graisse** pour réduire le risque d'incendie.
- **Suivre les recommandations du fabricant pour assurer la sécurité de chargement, déchargement, transport et remisage de la machine.**
- **Garder le produit sec, propre et exempt d'huile ou de graisse.** Toujours utiliser un chiffon propre pour le nettoyage. Ne jamais utiliser de liquide de freins, d'essence ou de produits à base de pétrole pour nettoyer le produit.
- **Examiner la zone de travail avant chaque utilisation.** La débarrasser de tous les objets tels que cailloux, verre brisé, clous, fils métalliques, cordes, etc. risquant d'être projetés ou de se prendre dans la machine.
- **Ne pas utiliser le produit si le commutateur ne permet pas de l'arrêter.** Faire remplacer le commutateur dans un centre de réparations agréé.
- **Éviter les environnements dangereux.** Ne pas exposer à la pluie. Garder le lieu de travail bien éclairé.
- **N'abîmez pas le cordon.** N'utilisez jamais le cordon pour transporter le produit et ne jamais débrancher ce dernier en tirant sur le cordon. Tenez le cordon loin de la chaleur, de l'huile, des rebords tranchants et des pièces en mouvement. Remplacez immédiatement les cordons endommagés. Les cordons endommagés accroissent le risque d'un choc électrique.
- **Les circuits utilisés avec le produit devraient être munis d'un interrupteur de défaut à la terre.** Des connecteurs avec un interrupteur de défaut à la terre sont disponibles et peuvent être utilisés pour satisfaire à cette mesure de sécurité.
- **Pour réduire le risque d'un choc électrique, ce produit est muni d'une fiche polarisée (une lame est plus large que l'autre) et il nécessitera un cordon d'extension polarisé.** La fiche peut être branchée à un cordon d'extension polarisé seulement d'une façon. Si la fiche ne peut pas être branchée complètement dans le cordon d'extension, renversez la fiche. Si la fiche ne peut toujours pas être branchée, procurez-vous un cordon d'extension approprié. Un cordon d'extension polarisé exige l'utilisation d'une prise murale polarisée. La fiche peut être branchée à une prise murale polarisée seulement d'une façon. Si la fiche ne peut pas être branchée complètement dans le prise murale, renversez la fiche. Si la fiche ne peut toujours pas être branchée, contactez un électricien qualifié pour installer une prise murale adéquate. Ne modifiez pas la fiche de l'outil, le connecteur du cordon d'extension ou la fiche du cordon d'extension d'aucune façon.
- **Assurez-vous que le cordon d'extension est en bon état.** Quand vous utilisez le cordon d'extension, assurez-vous d'utiliser un cordon de calibre approprié pour rapporter le courant que votre produit soutiendra. Pour

RÈGLES DE SÉCURITÉ PARTICULIÈRES




un cordon d'extension de 7,6 m (25 pi) ou moins, il est recommandé d'utiliser un câble de calibre d'au moins 14 AWG. En cas de doute, utilisez le calibre supérieur suivant. Plus le numéro de jauge est petit, plus le calibre est élevé. Un cordon prolongateur de calibre insuffisant causera une perte de tension et provoquera ainsi une panne électrique et une surchauffe.

- **AVERTISSEMENT** : Utilisez les cordons prolongateurs pour extérieur marqués SW-A, SOW-A, STW-A, STOW-A, SJWA, SJTW-A, ou SJTOWA. Ces cordons prolongateurs sont homologués pour l'utilisation à l'extérieur et réduisent le risque de choc électrique.
- **Inspectez périodiquement les cordons prolongateurs et remplacez s'ils sont endommagés.** Gardez les poignées sèches, propres et libres d'huile et de graisse.
- **Ne jamais diriger le jet d'eau vers des personnes, animaux domestiques ou dispositifs électriques.**
- **Avant de commencer toute opération de nettoyage,** fermer les portes et fenêtres. Débarrasser la zone à nettoyer de débris, jouets, meuble de jardin ou autres objets pouvant créer un danger.
- **Ne pas utiliser de produits acides ou alcalins, de solvants, de matières inflammables ou de solutions de qualité industrielle** dans ce produit. Ces produits peuvent causer des blessures de l'opérateur et des dommages irréversibles de l'équipement.
- **AVERTISSEMENT** : Les jets à haute pression peuvent être dangereux s'ils sont utilisés incorrectement. Le jet ne doit pas être dirigé vers des personnes, animaux, dispositifs électriques ou l'équipement lui-même.
- **Garder le moteur à l'écart des articles inflammables et autres matières dangereuses.**
- **Vérifier le serrage de la boulonnerie** avant chaque utilisation. Un boulon ou écrou desserré peut causer de sérieux problèmes de moteur.







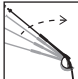


- Laisser le moteur refroidir **avant de remiser l'outil.**
- **Utiliser exclusivement des pièces identiques à celles d'origine pour les réparations.** L'usage de toute autre pièce pourrait créer une situation dangereuse ou endommager l'outil.
- Utiliser de l'eau froide **UNIQUEMENT.**
- **Ne jamais ramasser ni porter un équipement lorsque le moteur tourne.**
- **Ne jamais démarrer l'appareil** en présence de formation de glace sur toute partie de l'appareil.
- **Veiller à garder une distance d'au moins 914 mm (3 pi) des matériaux combustibles.**
- **Ne jamais la pulvérisation proche à la surface** être nettoyée comme vous pouvez endommager la surface.
- **Après avoir arrêté le moteur, toujours presser la gâchette de la poignée à gâchette afin de libérer la pression retenue dans le tuyau haute pression.** Le non-respect de cet avertissement pourrait entraîner des blessures graves.
- **S'assurer que le tuyau flexible haute pression est branché correctement avant d'utiliser le produit.**
- **Brancher la laveuse à pression uniquement dans un circuit terminal individuel.**
- **Tenir la poignée de gâchette fermement à deux mains.** S'attendre à ce que la poignée de gâchette bouge lorsque la détente est appuyée en raison des forces de réaction. L'non-respect de cet avertissement peut entraîner une perte de contrôle et provoquer des blessures à soi et à des tiers.
- **Pour l'utilisation à l'extérieur seulement.**
- **Conserver ces instructions.** Les consulter fréquemment et les utiliser pour instruire d'autres utilisateurs. Si ce produit est prêté, il doit être accompagné de ces instructions.

SYMBOLES

Les termes de mise en garde suivants et leur signification ont pour but d'expliquer le degré de risques associé à l'utilisation de ce produit.


SYMBOLE	SIGNAL	SIGNIFICATION
	DANGER :	Indique une situation dangereuse qui, si elle n'est pas évitée, aura pour conséquences des blessures graves, voire mortelles.
	AVERTISSEMENT :	Indique une situation dangereuse qui, si elle n'est pas évitée, aura pour conséquences des blessures graves ou mortelles.
	ATTENTION :	Indique une situation dangereuse qui, si elle n'est pas évitée, pourrait entraîner des blessures légères ou de gravité modérée.
	AVIS :	(Sans symbole d'alerte de sécurité) Indique les informations jugées importantes sans toutefois représenter un risque de blessure (ex. : messages concernant les dommages matériels).

Certains des symboles ci-dessous peuvent être présents sur le produit. Veiller à les étudier et à apprendre leur signification. Une interprétation correcte de ces symboles permettra d'utiliser le produit plus efficacement et de réduire les risques.

SYMBOLE	NOM	DÉSIGNATION / EXPLICATION
	Symbole d'alerte de sécurité	Indique un risque de blessure potentiel.
	Lire manuel d'utilisation	Pour réduire les risques de blessures, l'utilisateur doit lire et veiller à bien comprendre le manuel d'utilisation avant d'utiliser ce produit.
	Protection oculaire	Toujours porter une protection oculaire avec écrans latéraux certifiée conforme à la norme ANSI Z87.1.
	Avertissement concernant l'humidité	Ne pas exposer à la pluie ou l'humidité et ne jamais diriger le jet d'eau vers des dispositifs électriques.
	Risque d'injection	Pour réduire les risques d'injection ou de blessures, ne jamais diriger le jet directement vers des enfants ou animaux domestiques et ne placer aucune partie du corps sur la trajectoire du jet. Les fuites aux flexibles et raccords peuvent également entraîner des blessures. Ne pas tenir des flexibles ou raccords.
	Risque d'explosion	Ne pas vaporiser de liquides inflammables. Liquides inflammables et leurs vapeurs sont explosifs et peuvent entraîner des brûlures graves ou mortelles.
	Rebond	Pour réduire le risque de blessure suite à un rebond, tenir la lance fermement à deux mains lorsque la machine est en fonctionnement.
	Choc électrique	Ne pas utiliser à proximité de lignes électriques ou de prises de courant.
	Brûlures chimiques	Pour réduire les risques de blessures ou de dommages matériels, NE PAS UTILISER DE PRODUITS ACIDES, ALCALINS OU JAVÉLISÉS, NI DE SUBSTANCES INFLAMMABLES OU DE SOLUTIONS DE QUALITÉ INDUSTRIELLE dans ce produit.

SYMBOLES

Certains des symboles ci-dessous peuvent être présents sur l'outil. Veiller à les étudier et à apprendre leur signification. Une interprétation correcte de ces symboles permettra d'utiliser l'outil plus efficacement et de réduire les risques.

SYMBOLE	NOM	DÉSIGNATION / EXPLICATION
V	Volts	Tension
A	Ampères	Intensité
Hz	Hertz	Fréquence (cycles par seconde)
W	Watts	Puissance
~	Courant alternatif	Type de courant
n_0	Vitesse à vid	Vitesse de rotation à vide
	Construction de classe II	Construction à double isolation
.../min	Par minute	Tours, coups, vitesse périphérique, orbites, etc., par minute

CARACTÉRISTIQUES ÉLECTRIQUES

ISOLATION DOUBLE

L'isolation double est un concept de sécurité des outils électriques qui élimine le besoin de cordon d'alimentation à trois fiches habituel. Toutes les pièces métalliques sont isolées des parties métalliques du moteur interne par une isolation protectrice. Des produits à double isolation n'ont pas besoin de mise à terre.



AVERTISSEMENT :

Le système à double isolation est conçu pour protéger l'utilisateur des chocs qui pourraient surgir des défauts dans l'installation électrique interne de la machine. Observez toutes les instructions de sécurité qui servent à éviter le choc électrique.

NOTE : La réparation d'un produit à isolation double exige des précautions extrêmes et la connaissance du système et elle ne doit être confiée qu'à un technicien de service qualifié. Pour les réparations, nous recommandons de confier le produit au centre de réparations agréé le plus proche. Utilisez toujours des pièces de rechange originales de fabricant pour les réparations.

CONNEXION ÉLECTRIQUE

Ce produit est équipé d'un moteur électrique de précision. Elle doit être branchée uniquement sur une **caractéristique nominale de l'alimentation électrique CA est de 120 V/60 Hz (circuit électrique domestique américain typique)**. N'utilisez pas cet outil sur une source de courant continu (c.c.). Une chute de tension importante causerait une perte

de puissance et une surchauffe du moteur. Si le produit ne fonctionne pas une fois branché, vérifiez l'alimentation électrique.

CORDONS PROLONGATEURS

Quand vous utilisez l'outil électrique à une distance considérable de la source d'alimentation en électricité, assurez-vous d'utiliser un cordon prolongateur de capacité suffisante pour rapporter le courant que le produit soutiendra. Un cordon prolongateur de calibre insuffisant causera une perte de tension, pouvant résulter ainsi une **surchauffe, une perte de puissance, et / ou déclenchement de disjoncteur ou le disjoncteur de fuite à la terre**. Utilisez le tableau pour déterminer le calibre minimum de fil requis pour un cordon prolongateur. Utilisez exclusivement des cordons à gaine cylindrique homologués par Underwriter's Laboratories (UL).

Pour les travaux à l'extérieur, utilisez un cordon prolongateur spécialement conçu à cet effet. La gaine des cordons de ce type porte l'inscription « W-A » ou « W ».

Avant d'utiliser un cordon prolongateur, vérifiez que ses fils ne sont ni détachés ni exposés et que son isolation n'est ni coupée, ni usée.

Il est possible d'attacher le cordon d'alimentation et le cordon prolongateur par un noeud pour éviter qu'ils se détachent pendant l'utilisation. Faites le noeud et branchez la fiche du cordon d'alimentation dans la prise du cordon prolongateur. Cette méthode peut aussi être utilisée pour attacher ensemble deux cordons prolongateurs.

CARACTÉRISTIQUES ÉLECTRIQUES

**N'UTILISER QUE CE CALIBRE DE CORDON
PROLONGATEUR AVEC CE PRODUIT :**

Longueur du cordon	Calibre de fil (A.W.G)
7,6 m (25 pi)	14
15,2 m (50 pi)	12
30,5 m (100 pi)	Ne pas utiliser

NOTE : A.W.G. = American Wire Gauge



AVERTISSEMENT :

Tenez le cordon prolongateur loin de la zone de travail. Placez le cordon de façon à ce qu'il ne puisse pas être pris dans les pièces de bois, des outils ou d'autres obstructions quand vous travaillez avec un outil électrique. Le non respect de cet avertissement pourrait résulter en des blessures graves.



AVERTISSEMENT :

Vérifiez les cordons prolongateurs avant chaque usage. Remplacez immédiatement les cordons endommagés. N'utilisez jamais le produit avec un cordon endommagé car le contact avec l'endroit endommagé pourrait causer un choc électrique et résulter en une blessure sérieuse.

DISJONCTEUR DE FUITE À LA TERRE

Voir la figure 2.

Cette unité est équipée d'un disjoncteur de fuite à la terre qui protège des dangers de courants de défaut à la terre. Un exemple de courant de défaut à la terre est le courant qui passerait par une personne utilisant un appareil dont l'isolation serait défectueuse, et qui serait en même temps en contact avec une mise électrique à la terre, telle qu'un dispositif de plomberie, un sol mouillé ou la terre.

Les bouchons protégées par un disjoncteur de fuite à la terre ne protègent pas des court-circuits, des surcharges et des chocs électriques.

NOTE : Pour s'assurer que le produit est toujours prêt à être utilisé, appuyer sur le bouton « Reset » (Réinitialisation) chaque fois que le produit est branché dans une prise de courant.

Les bouchons protégées par un disjoncteur de fuite à la terre peuvent être testées au moyen des boutons TEST et RESET (Réinitialisation).

Pour tester :

- Appuyer sur le bouton TEST. Le son d'un enclenchement (clic) se fera entendre et le témoin DEL s'éteindra.
- Pour restaurer l'alimentation, appuyer sur le bouton RESET (Réinitialiser). Le témoin DEL s'illuminera pour indiquer que l'alimentation est rétablie.

Effectuer ce test chaque mois pour assurer un bon fonctionnement du disjoncteur de fuite à la terre.

- **Pour réduire le risque de décharge électrique, le circuit de surveillance doit être enclenché avant qu'un appareil soit branché dans une des prises du dispositif.**

CARACTÉRISTIQUES

FICHE TECHNIQUE

Pression maximum en livres par pouce carré* 1 800 psi
Débit maximum par minute 4,5 LPM (1,2 GPM)
Alimentation..... 120 V, CA seulement, 60 Hz, 13 A

*Maximum évaluant résolu par la norme de PWMA 101

APPRENDRE À CONNAÎTRE LE LAVEUSE À PRESSION

Voir la figure 3.

La sécurité d'utilisation de ce produit exige la compréhension des informations apposées sur le produit et contenues dans ce manuel d'utilisation, ainsi que la connaissance du travail à exécuter. Avant d'utiliser ce produit, se familiariser avec toutes ses fonctions et règles de sécurité.

SYSTÈME D'INJECTION DE DÉTERGENT AUTOMATIQUE

Verser le détergent dans le réservoir de savon pour une application facile et rapide sur votre projet de nettoyage. L'utilisation de la buse à détergent activera l'injecteur de détergent avec une quantité de dilution de 20 pour 1.

POIGNÉE DE TRANSPORT

La laveuse à pression comporte une poignée qui facilite le transport.

CARACTÉRISTIQUES

FICHE À DISJONCTEUR DE FUITE À LA TERRE

La laveuse à pression est dotée d'une fiche à disjoncteur de fuite à la terre afin d'assurer une protection contre les risques associés aux courants de défaut de mise à la terre. Cette fiche n'offre aucune protection contre les courts-circuits, les surcharges ou les décharges électriques.

SUPPORT DE RANGEMENT POUR RANGEMENT DU TUYAU

Une fois le tuyau flexible haute pression enroulé, le suspendre sur le côté gauche de la machine au moyen de la courroie velcro pour le fixer en place.

COMMUTATEUR MARCHE / ARRÊT

Cet interrupteur permet de mettre la laveuse à pression en marche et à l'arrêt.

SUPPORT DE RANGEMENT POUR CORDON D'ALIMENTATION

Une fois le cordon d'alimentation enroulé, le suspendre sur le côté droit de la machine au moyen de la courroie velcro pour le fixer en place.

POIGNÉE RÉTRACTABLE

La laveuse à pression est dotée d'une poignée rétractable qui peut être ajustée pour le rangement et le transport.

BUSE À SAVON

La buse à savon de couleur bleue ou noir est utilisée uniquement pour appliquer du détergent à une faible pression.

RÉSERVOIR DE SAVON

Enlever la capuchon pour réservoir de savon et verser le détergent dans laveuse à pression.

POIGNÉE DE GÂCHETTE

La poignée de gâchette est dotée d'une surface de prise permettant de mieux la contrôler et de réduire la fatigue.

GÂCHETTE AVEC VERROUILLAGE

Appuyer sur la gâchette pour produire un jet d'eau à haute pression pour le nettoyage. Le verrouillage constitue une protection contre toute utilisation non autorisée.

ASSEMBLAGE

DÉBALLAGE

Ce produit doit être assemblé.

- Avec précaution, sortir l'outil et les accessoires de la boîte. S'assurer que toutes les pièces figurant sur la liste de contrôle sont incluses.



AVERTISSEMENT :

Ne pas utiliser le produit si, en le déballant, vous constatez que des éléments figurant dans la liste de contrôle d'expédition sont déjà assemblés. Certaines pièces figurant sur cette liste n'ont pas été assemblées par le fabricant et exigent une installation. Le fait d'utiliser un produit qui a été assemblé de façon inadéquate peut entraîner des blessures.

- Examiner soigneusement le produit pour s'assurer que rien n'a été brisé ou endommagé en cours de transport.
- Ne pas jeter les matériaux d'emballage avant d'avoir soigneusement examiné le produit et avoir vérifié qu'il fonctionne correctement.
- Si des pièces sont manquantes ou endommagées, appeler le 1-800-860-4050.

LISTE DE CONTRÔLE

Nettoyeur haute pression électrique
Tuyau haute pression de 7,6 m (25 pi)
Poignée de gâchette
Lance de pulvérisation
Buses (15°, turbo, savon)
Manuel d'utilisation



AVERTISSEMENT :

Si des pièces manquent ou sont endommagées, ne pas utiliser cet outil avant qu'elles aient été remplacées. Le fait d'utiliser ce produit même s'il contient des pièces endommagées ou s'il lui manque des pièces peut entraîner des blessures graves.



AVERTISSEMENT :

Ne pas essayer de modifier ce produit ou de créer des accessoires non recommandés pour ce produit. De telles altérations ou modifications sont considérées comme un usage abusif et peuvent créer des conditions dangereuses, risquant d'entraîner des blessures graves.

ASSEMBLAGE



AVERTISSEMENT :

Ne mettez pas sous tension avant de compléter l'assemblage. Le non respect de cet avertissement pourrait résulter en un démarrage accidentel et des blessures corporelles graves.

CONNEXION DU LANCE DE PULVÉRISATION SUR DE POIGNÉE DE GÂCHETTE

Voir la figure 4.

- Pousser l'extrémité de la lance d'arrosage dans la poignée à gâchette et la tourner dans le sens horaire afin de la fixer solidement.
- Tirer sur le lance d'arrosage pour s'assurer qu'il est fixé solidement.

CONNEXION DU FLEXIBLE HAUTE PRESSION SUR DE POIGNÉE DE GÂCHETTE

Voir la figure 5.

- Visser le collier du flexible sur le raccord de la poignée de gâchette en le tournant vers la droite. Serrer fermement.
NOTE : S'assurer de ne pas déformer le filetage, ce qui peut causer des fuites à la poignée à gâchette pendant l'utilisation.
- Tirer sur le tuyau pour s'assurer qu'il est correctement bloqué.

CONNEXION DU FLEXIBLE HAUTE PRESSION SUR LA POMPE

Voir la figure 6.

- Dérouler complètement et redresser le tuyau haute pression pour éviter les pincements.
NOTE : Voir **Utilisation du tuyau haute pression** au chapitre *Utilisation* pour obtenir plus d'information au sujet de l'utilisation du tuyau haute pression.
- Aligner le collier du tuyau sur le raccord fileté de la pompe.
- Installer le collier du flexible haute pression sur le raccord fileté.
- Tourner le collier vers la droite et la serrer fermement sur la pompe.
NOTE : Prendre soin d'éviter la déformation du filetage, ce qui peut causer des fuites au tuyau pendant l'utilisation.
- Tirer sur le tuyau pour s'assurer qu'il est solidement assujéti.

BRANCHER LE TUYAU D'ARROSAGE AU LAVEUSE À PRESSION

Voir la figure 7.

AVIS :

Toujours respecter tous les règlements locaux au moment de brancher les tuyaux flexibles à l'alimentation principale en eau. Dans certaines régions, l'unité ne doit pas être reliée directement à l'alimentation publique en eau potable pour éviter que des produits chimiques affectent le système. Un raccordement direct est généralement permis si une bêche de récupération ou un dispositif anti-refoulement est utilisé.

L'alimentation en eau doit provenir d'une conduite principale d'alimentation en eau. NE JAMAIS utiliser l'eau chaude ou l'eau des piscines, lacs, etc. Avant de connecter le tuyau d'arrosage au laveuse à pression :

- Faire circuler l'eau dans le flexible pendant 30 secondes pour le débarrasser des débris.
- Inspecter le tamis dans l'arrivée d'eau.
- Si le tamis est endommagé, ne pas utiliser l'équipement avant d'avoir remplacé le tamis.
- Si le tamis est sale, le nettoyer avant de connecter le tuyau d'arrosage à l'équipement.

Pour connecter le tuyau d'arrosage à la machine :

- Dérouler complètement le boyau d'arrosage ou le retirer complètement du dévidoir pour éviter les pincements.
NOTE : Il doit y avoir un minimum de 3 m (10 pi) de tuyau entre l'admission du laveuse à pression et le robinet de tuyau ou le robinet de sectionnement (comme un connecteur de sectionnement en « Y »).
- Le robinet de tuyau étant complètement fermé, fixer l'extrémité du tuyau d'arrosage sur l'arrivée d'eau. Serrer à la main.

AVIS :

Ne pas faire fonctionner de la laveuse à pression sans que l'arrivée d'eau soit connectée et activée. Ne pas respecter cette directive peut faire en sorte d'endommager les joints d'étanchéité haute pression et de réduire la durée de vie utile de la pompe. Dérouler complètement le tuyau et s'assurer qu'il ne se coince pas dans les pneus, dans des roches ou tout autre objet susceptible de couper ou de réduire l'alimentation en eau de la laveuse à pression.

UTILISATION

AVERTISSEMENT :

Ne pas laisser la familiarité avec le produit faire oublier la prudence. Ne pas oublier qu'une fraction de seconde d'inattention peut entraîner des blessures graves.

AVERTISSEMENT :

Toujours porter une protection oculaire avec écrans latéraux certifiée conforme à la norme ANSI Z87.1. Si cette précaution n'est pas prise, des objets peuvent être projetés dans les yeux et causer des lésions graves.

AVERTISSEMENT :

Ne pas utiliser d'outils ou accessoires non recommandés par le fabricant pour ce produit. L'utilisation de pièces et accessoires non recommandés peut entraîner des blessures graves.

AVERTISSEMENT :

Ne jamais diriger le jet d'eau vers des personnes, animaux domestiques ou dispositifs électriques. Le non-respect de cet avertissement pourrait entraîner des blessures graves, de décharge électrique ou la mort.

AVIS :

Avant chaque utilisation, inspecter au complet le produit afin de s'assurer qu'aucune pièce (vis, écrous, boulons, chapeaux, etc.) n'est endommagée, manquante ou desserrée. Serrer solidement toutes les pièces de fixation et les chapeaux et ne pas utiliser le produit tant que toutes les pièces manquantes ou endommagées n'ont pas été remplacées. Veuillez communiquer avec le service à la clientèle ou avec un centre de service autorisé pour obtenir de l'assistance.

APPLICATIONS

Cet outil peut être utilisé autour de la maison pour nettoyer la plupart des petites et grandes surfaces extérieures horizontales ou verticales, les petits objets et petites structures extérieures, l'équipement et les outils extérieurs.
* Utile pour :

- Nettoyer ou éliminer les moisissures des terrasses protégées contre les intempéries, les allées, patios, allées piétonnes, trottoirs, etc.
- Éliminer la saleté de plusieurs types de surfaces verticales extérieures comme les murs extérieurs de la maison, le parement, les clôtures, briques, béton, pierres, etc.

- Laver les bateaux, mobilier extérieur, équipements de jardinage motorisés ou manuels, gouttières, moustiquaires, barbecues, équipements de terrain de jeux, etc.

**Toujours, faire un essai préalable sur une petite surface dissimulée.*

MISE EN MARCHÉ / ARRÊT DU LAVEUSE À PRESSION

Voir la figure 8.

AVIS :

Ne pas faire fonctionner de la laveuse à pression sans que l'arrivée d'eau soit connectée et activée. Ne pas respecter cette directive peut faire en sorte d'endommager les joints d'étanchéité haute pression et de réduire la durée de vie utile de la pompe. Dérouler complètement le tuyau et s'assurer qu'il ne se coince pas dans les pneus, dans des roches ou tout autre objet susceptible de couper ou de réduire l'alimentation en eau de la laveuse à pression.

Avant de démarrer le moteur :

- Connecter la tuyau d'arrosage.

NOTE : S'assurer que le tamis de l'arrivée d'eau de la laveuse à pression est installée et non obstrué avant le raccordement.

- Mettre en marche le boyau d'arrosage, puis appuyer sur la gâchette à haute pression pour relâcher la pression d'air. Dès qu'un jet d'eau régulier est pulvérisé, relâcher la gâchette.

NOTE : S'assurer que le robinet est complètement ouvert et que le tuyau ne fuit pas et qu'il n'est pas plié.

Pour faire démarrer le moteur :

- Après s'être assuré que l'interrupteur est réglé à la position arrêt (O), brancher la laveuse à pression dans l'alimentation électrique.

NOTE : Si l'on utilise un cordon prolongateur, s'assurer de faire une boucle d'égouttement comme décrit à la page 2.

AVERTISSEMENT :

Pour réduire le risque d'électrocution, garder toutes les connexions au sec et au-dessus du sol. Ne pas toucher à la prise avec les mains mouillées.

- Appuyer sur le bouton « Reset » (Réinitialisation) situé sur la fiche de la laveuse à pression afin de s'assurer que l'unité est prête à être utilisée.
- Appuyer sur le bouton marche (I) de l'interrupteur pour démarrer le moteur.

Pour faire arrêter le moteur :

- Régler l'interrupteur de marche/arrêt à la position arrêt (O).

UTILISATION

- Tirer sur la gâchette pour relâcher la pression d'eau.

NOTE : La laveuse à pression peut être en marche et le système peut être sous pression même si l'utilisateur n'entend pas fonctionner la pompe ou le moteur. Toujours agir avec précaution autour de la laveuse à pression.

FONCTIONNEMENT POIGNÉE DE GÂCHETTE

Voir la figure 9.

AVERTISSEMENT :

Tenir fermement la poignée de gâchette avec les deux mains. La force de réaction peut faire bouger la poignée à gâchette lorsque la gâchette est enfoncée. Ne pas maintenir fermement la poignée peut provoquer une perte de contrôle et occasionner des blessures à l'opérateur et aux autres personnes.

- Appuyer sur la gâchette et la maintenir enfoncée pour actionner la laveuse à pression.
- Relâcher la gâchette pour arrêter le jet d'eau de la buse.

Pour engager le verrouillage :

- Appuyer sur le bouton de verrouillage jusqu'à ce qu'il s'enclenche dans la fente.

Pour désengager le verrouillage :

- Appuyer sur le bouton de verrouillage pour le mettre dans sa position originale.

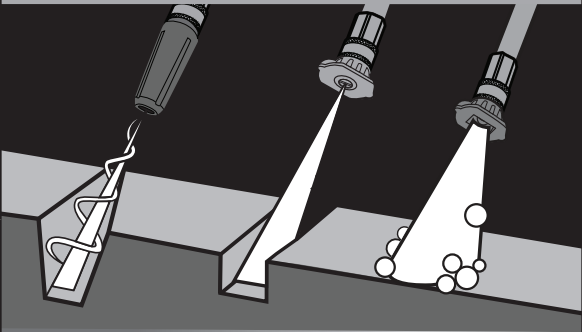




Commencer en plaçant la buse à une distance de 30 à 60 cm (1 à 2 pi) de la surface à nettoyer, et se rapprocher lentement de la surface jusqu'à ce que l'intensité de nettoyage soit atteinte. Si la buse est trop proche, le jet peut endommager la surface.

SÉLECTIONNER LA BUSE À RACCORD RAPIDE APPROPRIÉE POUR LA TÂCHE

Voir la figure 10.

Chacune des buses offre une configuration de jet différente. Avant de commencer tout nettoyage, sélectionner la buse convenant le mieux pour l'application. Consulter le **Guide de sélecteur de buse** pour en savoir plus au sujet de l'utilisation de chaque buse.

GUIDE DE SÉLECTEUR DE BUSE

BUSE TURBO		15°	SAVON			
				PRESSION ÉLEVÉE (AUCUN SAVON LORS DE L'UTILISATION DE CES BUSES)		PRESSION FAIBLE (POUR SAVON OU RINÇAGE LÉGER)
ABRASIF		LÉGER		Buse Turbo	15°	Buse bleue ou noir pour savon
Béton, brique, maçonnerie		✓	✓	✓	✓	✓
Parement, gouttières, maison			✓		✓	✓
Clotures, terrasse, patio			✓		✓	✓
Équipement de jardin, bateau, VR			✓		✓	✓
				✓ Buse recommandée ✓ Utiliser avec prudence lors de certaines applications		

UTILISATION



AVERTISSEMENT :

NE JAMAIS retirer de buse sans avoir d'abord éteint le moteur, débranchez le cordon d'alimentation, relâcher la pression d'eau de la poignée à gâchette, et avoir verrouillé la poignée à gâchette. NE JAMAIS pointer la buse en direction du visage ou d'autres personnes. Le dispositif de raccord rapide contient de petits ressorts qui peuvent éjecter la buse avec force. Ne pas respecter ces consignes représente les risques de lésions oculaires ou de blessures graves.

Pour installer une buse sur la lance d'arrosage :

- Arrêter le laveuse à pression, débrancher le cordon d'alimentation, et fermer l'arrivée d'eau. **Appuyer sur la gâchette pour relâcher la pression d'eau.**
- Verrouiller la poignée de gâchette en poussant sur le bouton de verrouillage jusqu'à ce qu'il s'engage dans la fente.
- Tirer la bague à connexion rapide vers l'arrière.
- Insérer en place la buse dans la lance d'arrosage.
- Poussez en avant la bague de manière à ce que la buse soit fixée solidement et vérifier le tout.

Pour retirer une buse de la lance d'arrosage une fois le nettoyage terminé :

- Arrêter le laveuse à pression, débrancher le cordon d'alimentation, et fermer l'arrivée d'eau. **Appuyer sur la gâchette pour relâcher la pression d'eau.**
- Verrouiller la poignée de gâchette en poussant sur le bouton de verrouillage jusqu'à ce qu'il s'engage dans la fente.
- Tirer et maintenir la bague à connexion rapide.
- Enlever la buse en la retirant de la bague à connexion rapide. Placer la buse dans le compartiment de rangement des buses situé sur le dessus de l'unité.

UTILISATION DU TUYAU HAUTE PRESSION



AVERTISSEMENT :

Risque d'injection. Dérouler complètement et redresser le tuyau flexible haute pression avant et pendant chaque utilisation pour éviter les pincements. Dérouler complètement et redresser le tuyau flexible haute pression avant et pendant chaque utilisation pour éviter les pincements. Si le revêtement extérieur est endommagé, cesser immédiatement l'utilisation du tuyau et le remplacer. Un tuyau flexible pincé ou endommagé peut causer une perte de pression pouvant nuire à la pulvérisation et provoquer des blessures graves.

Pour prévenir les dommages au revêtement extérieur :

- Inspecter le tuyau avant chaque utilisation.
- Dérouler complètement le tuyau et le raidir avant l'utilisation.

- Ne pas laisser le tuyau haute pression s'entortiller.
- Éloigner le tuyau flexible des surfaces chaudes et des arêtes coupantes.
- Ne pas tirer l'unité par le tuyau haute pression.
- Ne pas laisser le tuyau s'écraser ou s'enrouler autour des objets.

NETTOYAGE AVEC DU DÉTERGENT

Voir les figures 11 et 12.

Au moment de la vente, cette unité est conçue pour être utilisée avec des détergents pour laveuses à pression se trouvant « en aval ». Pour une utilisation avec des détergents se trouvant « en amont », veuillez communiquer avec le service à la clientèle ou avec un centre de service autorisé afin d'obtenir de plus amples renseignements.

AVIS :

UTILISER UNIQUEMENT DES DÉTERGENTS CONÇUS POUR LE LAVEUSE À PRESSION.

Ne pas utiliser de détergents domestiques, d'acides, de produits alcalins, de javellisants, de solvants, de matières inflammables et des solutions industrielles pouvant endommager la pompe ou provoquer des dommages matériels. Beaucoup de détergents doivent être mélangés avant d'être utilisés. Préparer la solution de nettoyage selon les instructions du flacon de solution. Toujours, faire un essai préalable sur une petite surface dissimulée.

- Débrancher la laveuse à pression de la source d'alimentation
- Verser le détergent dans le réservoir de de savon. Au besoin, utiliser un entonnoir pour éviter de renverser accidentellement du détergent en dehors du réservoir. Si du détergent est renversé pendant le remplissage, s'assurer que l'unité est propre et sèche avant de poursuivre l'opération.

NOTE : L'unité est réglée pour une dilution de 1 sur 20, ce qui permet généralement d'utiliser 3,79 l (1 gal) de détergent pour laveuses à pression sans dilution supplémentaire. Vérifier les directives jointes au détergent pour s'assurer qu'aucune dilution supplémentaire n'est nécessaire.

- Installer la buse bleue ou noir détergente sur la lancette de pulvérisation.
- Brancher l'appareil à une source de courant et mettre la laveuse à pression en marche.
- Appuyer sur la gâchette et attendre l'apparition du détergent pendant environ 5 secondes.
- Pulvériser le détergent sur une surface sèche à l'aide de mouvements longs, uniformes, se chevauchant. Pour éviter de laisser des marques, ne pas laisser le détergent sécher sur la surface.

UTILISATION

Avant d'arrêter le moteur :

- Remplir le réservoir de savon avec de l'eau propre.
- Pulvériser l'eau propre par la lance jusqu'à ce que le réservoir soit vide.
- S'il reste du détergent dans la lance, répéter en remplissant à nouveau le réservoir avec de l'eau propre.
- Arrêter le moteur.

NOTE: Le fait d'éteindre le moteur ne permet pas de libérer la pression du système. **Tirer sur la gâchette pour relâcher la pression d'eau.**

RINÇAGE AVEC LA LAVEUSE HAUTE PRESSION

- Éteindre la laveuse à pression et couper l'alimentation en eau. **Appuyer sur la gâchette pour relâcher la pression d'eau.**
- Enclencher le verrou de la poignée à gâchette en soulevant le bouton de verrouillage jusqu'à ce qu'il s'enclenche dans la fente.
- Retirer le savon la buse et placer la main sur la buse et tirer sur le collier du raccord rapide. Ranger la savon la buse dans le compartiment du dessus de la machine prévu à cet effet.
- Sélectionner la buse appropriée pour le travail. Consulter le tableau à la page précédente pour choisir la buse appropriée.
- Commencer la pulvérisation d'eau au haut de la surface à rincer et poursuivre l'opération vers le bas, en chevauchant les passages.

UTILISATION PROTECTEUR DE POMPE

Voir la figure 13.

L'utilisation régulière d'un protecteur de pompe vendu en magasin prolonge la durée de vie de la laveuse à pression parce qu'il élimine les dépôts de minéraux de l'eau, lubrifie les joints d'étanchéité et les pistons de la pompe et prévient les dommages causés par le gel. Le protecteur de pompe doit être ajouté à l'appareil après chaque utilisation ou avant le remisage. Le protecteur de pompe est offert chez le détaillant où la laveuse à pression a été achetée ou en appelant le Service à la clientèle.

Les instructions suivantes sont pour un protecteur de pompe typique mais toujours suivre les instructions fournies par le fabricant du protecteur de pompe.

- Arrêter la laveuse à pression, débrancher le cordon d'alimentation, et fermer l'alimentation d'eau. **Tirer sur la gâchette pour relâcher la pression d'eau.**
 - Débrancher connexion du tuyau d'arrosage.
 - Dévisser le bouchon vissé de la bouteille du protecteur de pompe et retirer les sceaux de papier de la bouteille. Réinstaller le bouchon sur la bouteille et visser fermement.
- NOTE:** Le joint de caoutchouc doit rester à l'intérieur du bouchon vissé. S'il vient à sortir, s'assurer de le replacer avant de revisser le bouchon.
- Retirer le bouchon de la bouteille et visser fermement la partie filetée de la bouteille à l'entrée d'eau de la laveuse à pression.
 - Presser la bouteille afin de faire pénétrer le contenu dans la pompe.
 - La pompe est protégée lorsque le fluide protecteur ressort par la sortie de la pompe.

DÉPLACEMENT DU LAVEUSE À PRESSION

Voir la figure 14.

- Pour arrêter la laveuse à pression. Indiquer le buse dans le sens sûr et appuyer sur la gâchette pour relâcher la pression d'eau.
- Disconnect pressure washer from power supply.
- Déployer la poignée rétractable ou transporter avec la poignée de transport.
- Si la poignée rétractable est utilisée, se placer face à l'avant de la laveuse à pression et saisir fermement la poignée rétractable d'une seule main.
- Soulever la laveuse à pression vers vous jusqu'à ce qu'elle se tienne sur ses roues.
- Déplacer la machine à la position désirée, puis la baisser jusqu'à ce qu'elle repose fermement sur une surface plate.
- À l'aide de la poignée de transport, saisir fermement l'unité. Soulever l'appareil et le placer à une position de transport sécuritaire et confortable. Déplacer la machine à la position désirée.

ENTRETIEN

AVERTISSEMENT :

Avant d'inspecter, nettoyer ou entretenir l'équipement, couper le moteur, attendre que toutes les pièces en mouvement s'arrêtent, débrancher l'unité de l'alimentation, et tirer sur la gâchette pour libérer la pression d'eau. Le non-respect de ces instructions pourrait entraîner des blessures graves ou des dégâts matériels.

AVERTISSEMENT :

Toujours porter une protection oculaire avec écrans latéraux certifiée conforme à la norme ANSI Z87.1. Si cette précaution n'est pas prise, des objets peuvent être projetés dans les yeux et causer des lésions graves.

ENTRETIEN

AVERTISSEMENT :

Utiliser exclusivement des pièces identiques à celles d'origine pour les réparations. L'usage de toute autre pièce pourrait créer une situation dangereuse ou endommager l'outil.

AVIS :

Avant chaque utilisation, inspecter au complet le produit afin de s'assurer qu'aucune pièce (vis, écrous, boulons, chapeaux, etc.) n'est endommagée, manquante ou desserrée. Serrer solidement toutes les pièces de fixation et les chapeaux et ne pas utiliser le produit tant que toutes les pièces manquantes ou endommagées n'ont pas été remplacées. Veuillez communiquer avec le service à la clientèle ou avec un centre de service autorisé pour obtenir de l'assistance.

ENTRETIEN GÉNÉRAL

Éviter d'utiliser des solvants pour le nettoyage des pièces en plastique. La plupart des matières plastiques peuvent être endommagées par divers types de solvants du commerce. Utiliser un chiffon propre pour éliminer la saleté, la poussière, l'huile, la graisse, etc.

AVERTISSEMENT :

Ne jamais laisser de liquides tels que le fluide de freins, l'essence, les produits à base de pétrole, les huiles pénétrantes, etc., entrer en contact avec les pièces en plastique. Les produits chimiques peuvent endommager, affaiblir ou détruire le plastique, ce qui pourrait entraîner des blessures graves.

REPLACEMENT DU CORDON D'ALIMENTATION

S'il y a lieu, le cordon d'alimentation doit être remplacé par un centre de réparation agréé afin d'éviter tout risque.

LUBRIFICATION POUR LA POMPE

La pompe est enduite d'une quantité suffisante de lubrifiant de haute qualité pour la durée de vie de l'outil, dans des conditions d'utilisation normales. Aucune autre lubrification n'est donc nécessaire.

ENTRETIEN DE LA POMPE

Inspectez visuellement et régulièrement la pompe. Si vous constatez une fuite d'huile autour des joints d'étanchéité de la pompe, confiez la réparation de la laveuse à pression à un centre de réparations qualifié.

La pompe de la laveuse à pression ne renferme aucune pièce qui peut être réparée par l'utilisateur. Toute tentative de procéder à l'entretien de la pompe ou de la modifier peut endommager la laveuse à pression et annuler la garantie du produit.

ENTRETIEN DE BUSE

Voir la figure 15.

Une pression de pompe excessive (sensation d'impulsion au serrage de la gâchette) peut être le résultat d'une buse bouchée ou sale.

- Arrêter la laveuse à pression, et fermer l'arrivée d'eau. **Appuyer sur la gâchette pour relâcher la pression d'eau.**
- Débrancher la laveuse à pression.
- Retirer la buse de la lance de pulvérisation.

AVERTISSEMENT :

NE JAMAIS retirer de buse sans avoir d'abord éteint le moteur, relâcher la pression d'eau de la poignée à gâchette, et avoir verrouillé la poignée à gâchette. NE JAMAIS pointer la buse en direction du visage ou d'autres personnes. Le dispositif de raccord rapide contient de petits ressorts qui peuvent éjecter la buse avec force. Ne pas respecter ces consignes représente les risques de lésions oculaires ou de blessures graves.

- Pour retirer toute matière étrangère engorgeant ou obstruant la buse, souffler les débris ou les retirer à l'aide d'une aiguille fine (non inclus).
- À l'aide d'un tuyau de jardin, retirer les débris se trouvant dans la buse en effectuant un rinçage à contre-courant (rincer la buse uniquement avec de l'eau en laissant celle-ci couler en sens inverse ou de l'extérieur vers l'intérieur).
- Raccorder la buse à la lance d'arrosage.
- Réinstaller le tuyau d'arrosage et brancher la laveuse à pression dans l'alimentation électrique.

REMISAGE DU LAVEUSE À PRESSION

Voir les figures 16 et 17.

NOTE : L'utilisation régulière d'un protecteur de pompe permettra une meilleure performance de l'appareil et augmentera la durée de vie de la pompe.

Remiser la machine dans un endroit sec à l'abri des intempéries.

Il est important de remiser ce produit à l'abri du gel. Toujours vider l'eau de tous les flexibles, de la pompe, et du réservoir de savon avant de remiser l'équipement.

- S'assurer que le commutateur marche/arrêt est en position arrêt (O).
- Débrancher la laveuse à pression et ranger le cordon d'alimentation en l'enroulant sur les supports à l'arrière de la machine.

ENTRETIEN

- Débranchez le tuyau haute pression et le tuyau d'arrosage de la pompe.
- Enroulez soigneusement le tuyau haute pression et rangez-le à l'aide du crochet et de la sangle à boucle.
- Incliner l'appareil comme illustré pour permettre la vidange de toute eau résiduelle dans la pompe par l'entrée de la pompe.
- Faites pivoter la lance de pulvérisation vers la gauche pour la détacher de la poignée de gâchette. Rangez la lance de pulvérisation et la poignée de gâchette dans leur espace de rangement respectif.
- Remiser l'unité et les accessoires dans un secteur qui n'atteint pas les températures inférieures à 0 °C. Ne pas ranger près de la fournaise ou près des autres sources de chaleur qui pourrait sécher les joint d'étanchéité de pompe.

AVIS :

Si la température de l'endroit où est rangée la laveuse à pression s'abaisse sous 0 °C (32 °F), l'utilisation d'un protecteur de pompe est requise avant le rangement de l'appareil afin d'éviter les dommages causés par le gel. Les dommages causés par le gel annuleront la garantie.

NOTE : Cet appareil peut être rangé en position horizontale ou verticale.

DÉPANNAGE

PROBLÈME	CAUSE POSSIBLE	SOLUTION
La laveuse à pression ne démarre pas lorsque l'utilisateur appuie sur la gâchette	Le cordon d'alimentation n'est pas branché dans la source d'alimentation	Brancher le cordon d'alimentation dans une prise de courant 120 V c.a., 60 Hz c.a. sous tension.
	Le commutateur marche/arrêt est à la position arrêt (O)	Mettre le commutateur marche/arrêt à la position marche (I).
	Le disjoncteur de fuite à la terre est déclenché	Appuyer sur le bouton « Reset » (Réinitialisation) se trouvant sur la fiche à disjoncteur de fuite à la terre.
	Le disjoncteur domestique ou d'atelier est déclenché	Réenclencher le disjoncteur domestique ou d'atelier. S'assurer que la laveuse à pression est raccordée uniquement à un circuit terminal individuel. Lorsqu'un cordon prolongateur est utilisé, s'assurer qu'il est d'un calibre suffisant pour le courant nécessaire à la laveuse à pression.
	Pression d'eau dans le tuyau	Appuyer sur la gâchette pour relâcher la pression d'eau.

DÉPANNAGE

PROBLÈME	CAUSE POSSIBLE	SOLUTION
La pompe ne produit pas de pression	<p>Débit d'alimentation en eau insuffisant</p> <p>Fuites à la lancette</p> <p>Buse obstruée</p> <p>Pompe défectueuse</p> <p>Air dans la conduite</p> <p>Le filtre d'entrée est encrassé ou sale</p>	<p>Fournir un débit d'eau adéquat.</p> <p>Vérifier des connexions et/ou remplacer la lancette.</p> <p>Nettoyer la buse.</p> <p>Contacteur un centre de réparations agréé.</p> <p>Appuyer sur la gâchette de la lancette pour chasser l'aire de la conduite.</p> <p>Retirer le filtre d'entrée, le rincer à l'eau chaude et le replacer dans l'unité.</p>
La machine ne parvient pas à la pression correcte de fonctionnement	<p>Diamètre du flexible insuffisant</p> <p>Arrivée d'eau réduite</p> <p>Alimentation en eau insuffisante</p> <p>Fuite du tuyau</p> <p>Remplacer le tuyau</p>	<p>Remplacer par un tuyau d'arrosage de 19 mm (3/4 po).</p> <p>S'assurer que le tuyau n'est pas entortillé ou obstrué et qu'il ne présente pas de fuites.</p> <p>Ouvrir complètement le robinet d'eau.</p> <p>Remplacer le tuyau.</p> <p>Éliminer le pli du tuyau.</p>
Il n'y a pas de détergent	<p>Le réservoir de savon est vide</p> <p>Le circuit d'alimentation en eau est inadéquat ou encrassé</p> <p>Buse incorrecte installée</p>	<p>Remplacer la poche de détergent.</p> <p>Vérifier le boyau d'arrosage afin des'assurer qu'il ne comporte pas de noeuds ou de fuites et qu'il n'est pas obstrué.</p> <p>Installer la buse bleue ou noir à détergent.</p>
Présence de fuites dans la lance	Remplacement du joint torique requis	Remplacer le joint torique. Si le problème persiste, communiquer avec le centre de réparations agréé afin d'obtenir une nouvelle lance.

Si le problème persiste après avoir essayé les solutions ci-dessus, communiquer avec le service à la clientèle ou un centre de réparations agréé le plus proche pour obtenir de l'aide.

Ce produit est accompagné d'une garantie limitée de trois (3) ans pour utilisation personnel, familiales ou domestiques (90 jours pour utilisation affaires ou commerciaux). Pour obtenir les détails de la garantie, visiter le site www.ryobitools.com ou appeler (sans frais) au 1-800-860-4050.

INSTRUCCIONES DE SEGURIDAD IMPORTANTES



ADVERTENCIA:

Lea y comprenda todas las instrucciones. El incumplimiento de las instrucciones señaladas abajo puede causar descargas eléctricas, incendios y lesiones corporales serias.



ADVERTENCIA:

Al emplear este producto, siempre se deben respetar precauciones básicas, incluidas las siguientes:

LEA TODAS LAS INSTRUCCIONES ANTES DE USAR ESTE PRODUCTO

- **Para reducir el riesgo de lesiones**, se debe supervisar cuidadosamente la utilización de un producto cerca de niños.
- **Familiarícese completamente con los controles**. Aprenda a detener la máquina y a liberar rápidamente la presión.

- **Permanezca alerta y en control**. Preste atención a lo que esté haciendo y aplique el sentido común. No utilice la producto cuando esté cansado. No se apresure.
- **No utilice la unidad si se encuentra bajo los efectos de drogas, alcohol o medicamentos**.
- **Mantenga alejadas del área de trabajo a todas las personas**, particularmente a los niños de corta edad, y también a las mascotas.
- **No se estire ni se pare sobre escalones, escaleras, azoteas o soportes inestables**. Mantenga una postura firme y buen equilibrio en todo momento.
- **Siga las instrucciones de mantenimiento especificadas en este manual**.
- **Este producto cuenta con un interruptor de circuito accionado por falla de conexión a tierra incorporado en la clavija del cordón eléctrico**. Si debe reemplazar la clavija o el cordón, sólo utilice piezas de repuestos idénticas.
- **ADVERTENCIA: Riesgo de inyección o de lesión** – No dirija el chorro hacia las personas.

GUARDE ESTAS INSTRUCCIONES

PROTECCIÓN CON INTERRUPTOR DE CIRCUITO ACCIONADO POR FALLA DE CONEXIÓN A TIERRA

Esta lavadora de presión cuenta con un interruptor de circuito accionado por falla de conexión a tierra (GFCI) incorporado en la clavija del cordón eléctrico. Este dispositivo proporciona protección contra el riesgo de descargas eléctricas. Si debe reemplazar la clavija o el cordón, sólo utilice piezas de repuesto idénticas que incluyan la protección con GFCI.

CORDONES DE EXTENSIÓN

Vea la figura 1.

Utilice sólo los cordones de extensión que son aptos para usar al aire libre. Estos cordones de extensión cuentan con la identificación “Acceptable for use with outdoor appliances; store indoors while not in use” (Se puede emplear con dispositivos para el aire libre. Guarde en ambientes cerrados cuando no se lo utiliza). Utilice sólo los cordones de extensión que tengan un régimen de potencia que no sea inferior al régimen del producto. No emplee cordones de extensión dañados. Examine el cordón de extensión antes de usarlo y reemplácelo si está dañado. No maltrate el cordón de extensión y nunca tire de los cordones para desconectar la unidad. Mantenga el cordón alejado del calor y los bordes filosos. Desconecte siempre el cordón de extensión del receptáculo antes de desconectar el producto de este cordón. Enchufe siempre el cordón de extensión en una toma GFCI de corriente protegida.

Para evitar que el enchufe de la herramienta se humedezca cuando utiliza el cordón de extensión, realice una “vuelta de goteo” en el cordón que conecta la lavadora de presión con el cordón de extensión. La “vuelta de goteo” es la parte del cordón ubicada debajo del nivel del conector que evita que el agua se desplace por el cordón y entre en contacto con la conexión. Si el enchufe se moja, NO desenchufe el cordón. Desconecte el fusible y el disyuntor que abastece de electricidad a la herramienta. Luego, desenchufe y busque rastros de agua en la conexión.

ADVERTENCIA: Para reducir el riesgo de electrocución, mantenga todas las conexiones secas y alejadas del suelo. No toque la clavija con las manos húmedas.

SERVICIO DE UNA UNIDAD CON DOBLE AISLAMIENTO

En un producto con doble aislamiento, se incluyen dos sistemas de aislamiento en lugar de la conexión a tierra. La característica de conexión a tierra no se incluye en el producto con doble aislamiento, ni se debe incorporar esta característica al producto. El servicio de un producto con doble aislamiento requiere extremo cuidado y conocimiento sobre el sistema. Sólo el personal de servicio calificado debe realizar dicho servicio. Las piezas de repuesto para un producto con doble aislamiento deben ser idénticas a las piezas que reemplazan. Un producto con doble aislamiento incluye las palabras “DOUBLE INSULATION” (DOBLE AISLAMIENTO) o “DOUBLE INSULATED” (DOBLE AISLAMIENTO). El producto también puede incluir el símbolo

REGLAS DE SEGURIDAD ESPECÍFICAS




- **Sea precavido cuando posicione la lavadora de presión para usarla.** El aire tibio que sale del motor podría causar áreas puntuales descoloridas en el césped.
- **Familiarícese con la producto.** Lea cuidadosamente el manual del operador. Aprenda los usos y limitaciones de la máquina, así como los posibles peligros específicos de este producto.
- **Para reducir el riesgo de lesiones,** mantenga a alejados a niños y demás circunstantes. Todos los presentes deben llevar puestos anteojos de seguridad y permanecer a una distancia segura del área de trabajo.
- **Use la producto adecuada a la tarea.** No fuerce la producto ni ningún accesorio a efectuar tareas para las que no están hechos. No la use para propósitos no indicados en las instrucciones.
- **Vístase adecuadamente.** Use pantalones largos y mangas largas. No vista ropas, corbatas o joyas holgadas. Pueden resultar atrapadas y tirar de usted hacia piezas en movimiento. Se recomiendan guantes y calzado antiderrapantes al trabajar al aire libre. Si tiene el pelo largo cúbrase de alguna manera para contenerlo.
- **No accione el equipo cuando esté descalzo o al llevar puestas sandalias o calzado liviano similar.** Use calzado de seguridad que le proteja sus pies y mejore su postura en superficies resbaladizas.
- **Tenga suma precaución para evitar resbalarse o caer.**
- **Siempre póngase protección ocular con protección lateral con la marca de cumplimiento de la norma ANSI Z87.1.** Con el cumplimiento de esta regla se reduce el riesgo de lesiones corporales serias.
- **Utilice sólo accesorios recomendados.** El empleo de accesorios inadecuados puede presentar riesgos de lesiones.
- **Inspeccione las piezas dañadas.** Antes de seguir utilizando la producto, es necesario inspeccionar cuidadosamente toda protección o pieza dañada para determinar si funcionará correctamente y desempeñará la función a la que está destinada. Verifique la alineación de las partes móviles, que no haya atoramiento de las mismas, que no haya piezas rotas, el montaje de las piezas y cualquier otra condición que pudiera afectar su funcionamiento. Toda protección o pieza que esté dañada debe repararse apropiadamente o reemplazarse en un centro de servicio autorizado.
- **Nunca deje desatendida ninguna producto en funcionamiento. Apague la producto.** No se aleje de la producto hasta no verla completamente detenida.
- **Conserve el motor limpio de césped, hojas o grasa** a fin de reducir el riesgo de incendio.
- **Siga las recomendaciones del fabricante para lograr la carga, descarga, transporte y almacenamiento seguros de la máquina.**
- **Mantenga la producto seca, limpia y libre de aceite y grasa.** Siempre utilice un paño limpio para la limpieza de la unidad. Nunca utilice fluidos para frenos, gasolina, productos a base de petróleo ni solventes para limpiar la producto.
- **Revise el área de trabajo cada vez antes de utilizar este producto.** Retire todos los objetos como piedras, vidrio roto, clavos, alambre o cuerda que puedan salir disparados o enredarse en la máquina.
- **No utilice la producto si el interruptor no apaga.** Lleve todo interruptor a un centro de servicio autorizado para que lo reparen.
- **Evite tener un entorno de trabajo peligroso.** No exponga a la lluvia. Mantenga bien iluminada el área de trabajo.
- **No maltrate el cordón.** Nunca utilice el cordón para trasladar ni para sacar la clavija de una toma. Mantenga el cordón alejado del calor, del aceite de bordes afilados y de piezas móviles. Cambie de inmediato todo cordón dañado. Los cordones dañados aumentan el riesgo de descargas eléctricas.
- **Los circuitos o las tomas donde se conecta esta producto deben estar protegidos con un interruptor de circuito accionado por falla de conexión a tierra (GFCI).** Hay receptáculos con la protección de un GFCI integrado, y pueden utilizarse para contar con esta característica de seguridad.
- **Para reducir el riesgo de una descarga eléctrica, este producto dispone de una clavija polarizada (una patilla es más ancha que la otra) y requiere un cordón de extensión polarizado.** La clavija entra sólo de una forma en el enchufe de un cordón de extensión polarizado. Si la clavija no entra completamente en el enchufe del cordón de extensión, invierta la posición de la misma. Si aún así no entra la clavija, obtenga un cordón de extensión polarizado correcto. Un cordón de extensión polarizado requiere el uso de una toma de pared polarizada. Esta clavija entra sólo de una forma en la toma de pared polarizada. Si la clavija no entra completamente en la toma de pared, invierta la posición de la clavija. Si aún así no entra la clavija, contrate a un electricista calificado para encargarle la instalación de una toma de pared adecuada. No cambie de ninguna manera la clavija del equipo, ni el receptáculo o la clavija del cordón de extensión.
- **Asegúrese de que esté en buen estado el cordón de extensión.** Al utilizar un cordón de extensión, utilice uno del suficiente calibre para soportar la corriente que consume el producto. Se recomienda que los conductores sean de calibre **14 (A.W.G.)** por lo menos, para un cordón de extensión de 7,6 metros (25 pies) de largo o menos. Si tiene dudas, utilice un cordón del calibre más grueso siguiente. Cuanto menor es el número de calibre, mayor es el grueso del cordón. Un cordón de un calibre insuficiente causa una caída en el voltaje de línea, y produce recalentamiento y pérdida de potencia.

REGLAS DE SEGURIDAD ESPECÍFICAS







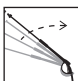


- **ADVERTENCIA:** Use cordones de extensión para exteriores que lleven las marcas SW-A, SOW-A, STW-A, STOW-A, SJW-A, SJTW-A o SJTOWA. Estos cordones están aprobados para el uso en el exterior y reducen el riesgo de descargas eléctricas.
- **Inspeccione periódicamente los cordones de extensión y reemplácelos si están dañados.** Mantenga los mangos secos, limpios y sin aceite ni grasa.
- **Nunca dirija un chorro de agua en dirección de personas o animales, ni hacia dispositivos eléctricos.**
- **Antes de iniciar cualquier operación de limpieza,** cierre puertas y ventanas. Despeje el área a limpiar y elimine cualesquier desechos, juguetes, muebles de patio u otros objetos que pudiesen crear un peligro.
- **No use soluciones ácidas, alcalinas, solventes, materiales inflamables o de grado industrial** en este producto. Estos productos pueden causar lesiones físicas al operador y daños irreparables a la máquina.
- **ADVERTENCIA: Los chorros de alta presión pueden ser peligrosos si se utilizan indebidamente.** Nunca dirija el chorro a personas, animales, dispositivos eléctricos ni a la máquina misma.
- **Mantenga alejado el motor de materiales inflamables y de otros materiales peligrosos.**
- **Antes de cada uso, inspeccione los pernos y las tuercas** para verificar que están apretados. Una tuerca o perno sueltos pueden causar problemas graves en el motor.
- **Antes de guardar** la unidad deje que se enfríe el motor.
- **Al dar servicio a la unidad, sólo utilice piezas de repuesto idénticas.** El empleo de piezas diferentes puede causar un peligro o dañar el producto.
- Use **SOLAMENTE** agua fría.
- **Nunca alce ni transporte una máquina mientras se encuentre en marcha.**
- **Nunca arranque la máquina** si se ha formado hielo en cualquier parte del equipo.
- **Asegúrese de que haya una distancia mínima de 914 mm (tres pies) de todo material combustible.**
- **Nunca rocíe cierra a la superficie** para ser limpiado como usted puede dañar la superficie.
- **Luego de detener el motor, siempre presione el gatillo ubicado en el mango del gatillo para aliviar la presión acumulada en la manguera de alta presión.** La inobservancia de esta advertencia puede causar lesiones personales graves.
- **Asegúrese de que la manguera de alta presión esté conectada adecuadamente antes de usar el producto.**
- **Conecte la lavadora de presión a un subcircuito individual.**
- **Sujete y sostenga firmemente con ambas manos el mango.** Al tirar del gatillo, puede que el mango de gatillo se mueva debido a fuerzas de reacción. La inobservancia de esta advertencia puede ocasionar la pérdida de control y lesiones personales y a otros.
- **Para usarse sólo en el exterior.**
- **Guarde estas instrucciones.** Consúltelas frecuentemente y utilícelas para instruir a otros usuarios. Si presta a alguien esta producto, facilítele también las instrucciones.

SÍMBOLOS

Las siguientes palabras de señalización y sus significados tienen el objeto de explicar los niveles de riesgo relacionados con este producto.


SÍMBOLO	SEÑAL	SIGNIFICADO
	PELIGRO:	Indica una situación peligrosa, la cual, si no se evita, causará lesiones graves o mortales.
	ADVERTENCIA:	Indica una situación peligrosa, la cual, si no se evita, podría causar lesiones graves o mortales.
	PRECAUCIÓN:	Indica una situación peligrosa, la cual, si no se evita, podría causar lesiones menores o leves.
	AVISO:	(Sin el símbolo de alerta de seguridad) Indica la información que se considera importante, pero no relacionada con lesiones potenciales (por ej. en relación a daños a la propiedad).

Es posible que se empleen en esta herramienta algunos de los siguientes símbolos. Le suplicamos estudiarlos y aprender su significado. Una correcta interpretación de estos símbolos le permitirá utilizar mejor y de manera más segura la herramienta.

SÍMBOLO	NOMBRE	DENOMINACIÓN/EXPLICACIÓN
	Alerta de seguridad	Indica un peligro posible de lesiones personales
	Lea manual del operador	Para reducir el riesgo de lesiones, el usuario debe leer y comprender el manual del operador antes de usar este producto.
	Protección ocular	Siempre póngase protección ocular con protección lateral con la marca de cumplimiento de la norma ANSI Z87.1.
	Alerta: Condiciones húmedas	No exponga la unidad a la lluvia ni la use en lugares húmedos, y nunca dirija un chorro de agua en dirección hacia dispositivos eléctricos.
	Riesgo de inyecciones	Para reducir el riesgo de una inyección o lesión, nunca dirija un chorro de agua hacia personas o mascotas ni ponga ninguna parte del cuerpo en el chorro. Las fugas presentes en mangueras y acopladores también pueden causar lesiones por inyección. No sujete ninguna manguera ni acoplador.
	Riesgo de explosión	No pulverice líquidos inflamables. Líquidos inflamables y sus vapores del mismo son explosivos y pueden causar quemaduras graves e incluso la muerte.
	Contragolpe	Para reducir el riesgo de lesiones por un contragolpe, sujete firmemente el tubo rociador con ambas manos cuando esté encendida la máquina.
	Descarga eléctrica	No use la cortadora cerca de líneas de alimentación o tomas eléctricas.
	Quemaduras químicas	Para reducir el riesgo de lesiones o daños físicos, NO USE SOLUCIONES ÁCIDAS, ALCALINAS, BLANQUEADORES, SOLVENTES, MATERIALES INFLAMABLES O DE GRADO INDUSTRIAL en este producto.

SÍMBOLOS

Es posible que se empleen en esta herramienta algunos de los siguientes símbolos. Le suplicamos estudiarlos y aprender su significado. Una correcta interpretación de estos símbolos le permitirá utilizar mejor y de manera más segura la herramienta.

SÍMBOLO	NOMBRE	DENOMINACIÓN/EXPLICACIÓN
V	Voltios	Voltaje
A	Amperios	Corriente
Hz	Hertz	Frecuencia (ciclos por segundo)
W	Watts	Potencia
~	Corriente alterna	Tipo de corriente
n_0	Velocidad en vacío	Velocidad de rotación, en vacío
	Fabricación Clase II	Fabricación con doble aislamiento
.../min	Por minuto	Revoluciones, carreras, velocidad superficial, órbitas, etc., por minuto

ASPECTOS ELÉCTRICOS

DOBLE AISLAMIENTO

El doble aislamiento es una característica de seguridad de las herramientas eléctricas, la cual elimina la necesidad de usar el típico cordón eléctrico de tres conductores con conexión a tierra. Todas las partes metálicas expuestas están aisladas de los componentes metálicos internos del motor por medio de aislamiento de protección. No es necesario conectar a tierra las productos con doble aislamiento.



ADVERTENCIA:

El sistema de doble aislamiento está destinado a proteger al usuario contra las descargas eléctricas resultantes de la ruptura del aislamiento interno de la producto. Observe todas las precauciones de seguridad para evitar descargas eléctricas.

NOTA: El mantenimiento de una herramienta con doble aislamiento requiere sumo cuidado y conocimiento del sistema, y únicamente deben realizarlo técnicos de servicio calificados. Para dar servicio a la herramienta, le sugerimos llevarla al Centro de Servicio Autorizado de su preferencia para que la reparen. Siempre utilice piezas de repuesto de la fábrica original al dar servicio a la unidad.

CONEXIÓN ELÉCTRICA

Este producto dispone de un motor eléctrico fabricado con precisión. Debe conectarse únicamente a un suministro de voltaje que tenga capacidad de 120 V/60 Hz CA (típico circuito hogareño de EE. UU.). No utilice este producto con

corriente continua (corr. cont.). Una caída considerable de voltaje causa una pérdida de potencia y el recalentamiento del motor. Si el producto no funciona al conectarlo en una toma, vuelva a verificar el suministro de corriente.

CORDONES DE EXTENSIÓN

Al utilizar una herramienta eléctrica a una distancia considerable de la fuente de corriente, asegúrese de utilizar un cordón de extensión con la suficiente capacidad para soportar la corriente de consumo del producto. Un cordón de un calibre insuficiente causa una caída en el voltaje de línea, lo cual puede causar **recalentamiento, pérdida de potencia y/o activación de los disyuntores o el GFCI**. Báse en la tabla suministrada para determinar el grueso mínimo requerido del cordón de extensión. Solamente deben utilizarse cordones con forro redondo registrados en Underwriter's Laboratories (UL).

Al trabajar a la intemperie con un producto, utilice un cordón de extensión fabricado para uso en el exterior. Este tipo de cordón lleva las letras "WA" o "W" en el forro.

Antes de utilizar un cordón de extensión, inspecciónelo para ver si tiene conductores flojos o expuestos y aislamiento cortado o gastado.

Se puede hacer un nudo para atar el cordón de extensión y el cordón eléctrico para impedir que se desconecten durante el uso. Ate el nudo luego conecte el extremo de la clavija del cordón eléctrico en el extremo del receptáculo del cordón de extensión. Este método también se puede usar para atar dos cordones de extensión.

ASPECTOS ELÉCTRICOS

USE ÚNICAMENTE UN CORDÓN DE EXTENSIÓN DE ESTOS TAMAÑOS AL UTILIZAR ESTE PRODUCTO:

Longitud del cordón	Calibre conductores (A.W.G.)
7,6 m (25 pies)	14
15,2 m (50 pies)	12
30,5 m (100 pies)	No se permite

NOTA: A.W.G. = Calibre conductores norma americana

ADVERTENCIA:

Mantenga el cordón de extensión fuera del área de trabajo. Al trabajar con una herramienta eléctrica, coloque el cordón de tal manera que no pueda enredarse en la madera, herramientas o ninguna obstrucción. La inobservancia de esta advertencia puede causar lesiones corporales serias.

ADVERTENCIA:

Inspeccione los cordones de extensión antes de cada uso. Si están dañados reemplácelos de inmediato. Nunca utilice el producto con un cordón dañado, ya que si toca la parte dañada puede producirse una descarga eléctrica, y las consecuentes lesiones serias.

INTERRUPTOR DE CIRCUITO ACCIONADO POR FALLA DE CONEXIÓN A TIERRA

Vea la figura 2.

Esta unidad se equipa de un interruptor del circuito accionado por falla de conexión a tierra (GFCI), el cual protege contra los peligros de las corrientes desarrolladas al presentarse tal falla. Un ejemplo de una corriente debida a una falla de conexión a tierra es la que fluiría a través de una persona que está utilizando un aparato con aislamiento defectuoso, y al mismo tiempo está en contacto con una tierra eléctrica como una parte de la plomería, suelo húmedo o tierra.

Las clavijas protegidos con GFCIs no protegen contra cortos circuitos, sobrecargas ni descargas eléctricas.

NOTA: Para asegurarse de que está listo para el uso, presione el botón de reajuste cada vez que conecte la lavadora de presión al suministro de corriente.

Las clavijas con GFCIs pueden probarse con los botones TEST [PRUEBA] y RESET [REAJUSTE].

Para efectuar una prueba:

- Oprima el botón TEST. Escuchará un clic y el diodo luminiscente se apagará
- Para restablecer la corriente, oprima el botón RESET. El diodo luminiscente se encenderá indicando que se ha restablecido la corriente.

Realice mensualmente esta prueba para asegurarse del buen funcionamiento del GFCI.

- **Para reducir el riesgo de descarga eléctrica, el circuito de inspección se debe operar antes de que se enchufe un artefacto en el dispositivo.**

CARACTERÍSTICAS

ESPECIFICACIONES DEL PRODUCTO

Presión máxima* 1 800 psi
Flujo máximo 4,5 LPM (1,2 GPM)
Corriente de entrada 120 V, sólo corr. alt., 60 Hz, 13 A

*Máximo que valora determinado por el estándar de PWMA 101

FAMILIARÍCESE CON LA LAVADORA DE PRESIÓN

Vea la figura 3.

Para usar este producto con la debida seguridad se debe comprender la información indicada en la producto misma y en este manual, y se debe comprender también el trabajo que intenta realizar. Antes de usar este producto, familiarícese con todas las características de funcionamiento y normas de seguridad del mismo.

SISTEMA AUTOMÁTICO DE INYECCIÓN DE DETERGENTE

Vierta detergente en el tanque de jabón para aplicar detergente rápida y fácilmente en su trabajo de limpieza. El uso de la boquilla para jabón activará el inyector de detergente con una razón de dilución de 20:1.

MANGO DE ACARREO

La lavadora a presión cuenta con un mango de acarreo para facilitar el traslado.

CARACTERÍSTICAS

CLAVIJA GFCI

La lavadora de presión está equipada con una clavija GFCI como protección contra los riesgos de las redes eléctricas con fallas de conexión a tierra. Esta clavija no protege contra los cortocircuitos, las sobrecargas ni las descargas eléctricas.

ALMACENAMIENTO DE LA MANGUERAS

Una vez que la manguera de alta presión esté enrollada, cuélguela en el lado izquierdo de la máquina utilizando la tira de gancho y lazada para ajustarla correctamente.

INTERRUPTOR DE ENCENDIDO/APAGADO

Con este interruptor se enciende y apaga la lavadora.

ALMACENAMIENTO DEL CORDÓN ELÉCTRICO

Una vez que la cordón eléctrico esté enrollada, cuélguela en el lado derecho de la máquina utilizando la tira de gancho y lazada para ajustarla correctamente.

MANGO RETRÁCTIL

La lavadora a presión cuenta con un mango retráctil que se puede ajustar para el almacenamiento y transporte de la unidad.

BOQUILLA PARA JABÓN

La boquilla azul o negro para jabón se utiliza para aplicar detergente sólo a baja presión.

TANQUE DE JABÓN

Retire la tapa del tanque de jabón para agregar este líquido a la lavadora de presión.

MANGO DEL GATILLO

El mango del gatillo dispone de una superficie de sujeción ranurada la cual proporciona control adicional de dicho tubo y reduce la fatiga del operador.

GATILLO CON SEGURO

Al tirar del gatillo sale un chorro de agua para limpiar con alta presión. El seguro ofrece protección contra todo uso no autorizado.

ARMADO

DESEMPAQUETADO

Este producto requiere armarse.

- Corte cuidadosamente los lados de la caja y después retire la producto y cualesquier accesorios de la caja. Asegúrese de que estén presentes todos los artículos enumerados en la lista de empaquetado.



ADVERTENCIA:

No utilice este producto si alguna pieza incluida en la lista de empaquetado ya está ensamblada al producto cuando lo desempaqueta. El fabricante no ensambla las piezas de esta lista en el producto. Éstas deben ser instaladas por el usuario. El uso de un producto que puede haber sido ensamblado de forma inadecuada podría causar lesiones personales graves.

- Inspeccione cuidadosamente la producto para asegurarse de que no haya sufrido ninguna rotura o daño durante el transporte.
- No deseche el material de empaquetado hasta que haya inspeccionado cuidadosamente la producto y la haya utilizado satisfactoriamente.
- Si hay piezas dañadas o faltantes, le suplicamos llamar al 1-800-860-4050, donde le brindaremos asistencia.

LISTA DE EMPAQUETADO

Lavadora de presión eléctrica
Manguera de alta presión de 7,6 m (25 pies)
Mango del gatillo
Tubo rociado
Boquillas (15°, turbo, jabón)
Manual del operador



ADVERTENCIA:

Si hay piezas dañadas o faltantes, no utilice esta producto sin haber reemplazado todas las piezas. Usar este producto con partes dañadas o faltantes puede causar lesiones serias al operador.



ADVERTENCIA:

No intente modificar esta producto ni hacer accesorios no recomendados para la misma. Cualquier alteración o modificación constituye maltrato, el cual puede causar una condición peligrosa, y como consecuencia posibles lesiones serias.

ARMADO



ADVERTENCIA:

No conecte la unidad al suministro de corriente sin haber terminado de armarla. De lo contrario la unidad puede ponerse en marcha accidentalmente, con el consiguiente riesgo de lesiones serias.

COMO CONECTAR EL TUBO ROCIADOR AL MANGO DEL GATILLO

Vea la figura 4.

- Empuje el extremo del tubo rociador dentro del mango del gatillo y gírelo en sentido horario para asegurarlo.
- Tire del tubo rociador para asegurarse de que esté debidamente asegurada.

CÓMO CONECTAR LA MANGUERA DE ALTA PRESIÓN AL MANGO DEL GATILLO

Vea la figura 5.

- Enrosque el casquillo de la manguera de alta presión en el acoplador de entrada el mango del gatillo; para ello, gire a la derecha el casquillo de la manguera. Apriete firmemente.

NOTA: Tenga cuidado de no trasroscar la rosca, ya que esto podría provocar que el mango del gatillo pierda durante su uso.

- Tire de la manguera para asegurarse de que esté debidamente asegurada.

CÓMO CONECTAR LA MANGUERA DE ALTA PRESIÓN A LA BOMBA

Vea la figura 6.

- Desenrolle y enderece completamente la manguera de alta presión para evitar la formación de acodaduras.

NOTA: Vea **Uso de la manguera de alta presión** en la sección *Funcionamiento* para obtener más información sobre el uso de la manguera de alta presión.

- Alinee el casquillo de la manguera con la salida con rosca de la bomba.
- Coloque el casquillo de la manguera de alta presión en la conexión roscada.
- Gire a la derecha el casquillo y fije firmemente la manguera a la bomba.

NOTA: Tenga cuidado de no trasroscar la rosca, ya que esto podría provocar que la manguera pierda durante su uso.

- Tire de la manguera para asegurarse de que esté debidamente asegurada.

CÓMO CONECTAR UNA MANGUERA DE JARDÍN A LA LAVADORA DE PRESIÓN

Vea la figura 7.

AVISO:

Siempre observe las normas locales cuando conecte las mangueras a la tubería principal de agua. En algunas áreas existen restricciones para la conexión directa al suministro público de agua potable a fin de evitar la retroalimentación de químicos al suministro de agua potable. La conexión directa a través de un tanque receptor o de una válvula contra reflujo suele estar permitida.

El suministro de agua debe venir de la tubería principal de agua. NUNCA use agua caliente o agua de piscinas, lagos, etc. Antes de conectar una manguera de jardín a la lavadora de presión:

- Deje correr agua por la manguera durante 30 segundos para limpiar toda la basura que pueda haber en el interior de la misma.
- Inspeccione el cedazo de la entrada de agua.
- Si está dañado el cedazo, no utilice la máquina sino hasta haber reemplazado aquél.
- Si está sucio el cedazo, límpielo antes de conectar la manguera de jardín a la máquina.

Para conectar una manguera de jardín a la máquina:

- Desenrolle completamente la manguera de jardín o quítela completamente del carrete para evitar la formación de acodaduras.

NOTA: Debe haber un mínimo de 3 metros (10 pies) de manguera sin ninguna restricción en el flujo de la misma, entre la entrada de la lavadora de presión y el grifo o válvula de cierre (como un conector de cierre en "Y").

- Teniendo el grifo de la manguera completamente cerrado, conecte el extremo de la manguera de jardín a la entrada de agua. Efectúe el apriete con la mano.

AVISO:

No accione la bomba de la lavadora de presión sin que el suministro de agua esté conectado y abierto; de lo contrario, se pueden dañar los sellos de alta presión y se puede acortar la vida útil de la bomba. Desenrolle la manguera de su riel o bobina por completo y asegúrese de que ninguna rueda, piedra o cualquier otro objeto no pise la manguera, ya que puede disminuir o impedir el paso del agua a la lavadora de presión.

FUNCIONAMIENTO

ADVERTENCIA:

No permita que su familiarización con las producto lo vuelva descuidado. Tenga presente que un descuido de un instante es suficiente para causar una lesión grave.

ADVERTENCIA:

Siempre póngase protección ocular con protección lateral con la marca de cumplimiento de la norma ANSI Z87.1. La inobservancia de esta advertencia puede permitir que los objetos lanzados hacia los ojos puedan provocar lesiones graves.

ADVERTENCIA:

No utilice ningún aditamento o accesorio no recomendado por el fabricante de esta producto. El empleo de aditamentos o accesorios no recomendados podría causar lesiones serias.

ADVERTENCIA:

Nunca dirija un chorro de agua en dirección de personas o animales, ni hacia dispositivos eléctricos. La inobservancia de esta advertencia podría causar lesiones serias, una descarga eléctrica e incluso la muerte.

AVISO:

Antes de cada uso, inspeccione todo el producto para detectar partes dañadas, faltantes o sueltas, como tornillos, tuercas, pernos, tapas, etc. Apriete firmemente todos los sujetadores y las tapas y no accione este producto hasta que todas las partes faltantes o dañadas sean reemplazadas. Llame con el servicio al cliente o contacto con un centro de servicio autorizado para recibir asistencia.

USOS

Puede usar esta herramienta en la casa para limpiar la mayoría de las superficies exteriores horizontales o verticales grandes o pequeñas, las estructuras y objetos exteriores pequeños y las herramientas y equipos para uso al aire libre.* Puede:

- Limpiar o quitar moho y hongos de terrazas, caminos de entrada, patios, caminos, aceras y otras superficies desgastadas.
- Quitar la suciedad de diversas superficies exteriores verticales tales como exteriores de casas, revestimientos de muros exteriores, cercas, paredes de ladrillo, hormigón o piedra, etc.

- Limpiar botes, muebles de patio, equipos de jardinería eléctricos o no, canalones, paneles de ventanas, parrillas, juegos para niños, etc.

**Siempre pruebe primero en un área poco notoria.*

ENCENDIDO Y APAGADO DE LA LAVADORA DE PRESIÓN

Vea la figura 8.

AVISO:

No encienda la lavadora a presión si no hay un suministro de agua conectado y encendido, dado que esto podría dañar los sellos de alta presión y disminuir la vida útil de la bomba. Desenrolle la manguera por completo de su carrete o bobina y asegúrese de que la manguera no esté restringida por neumáticos, rocas, ni ningún otro objeto que pueda disminuir o bloquear el flujo de agua hacia la lavadora a presión.

Antes de arrancar el motor:

- Conecte los manguera de jardín.

NOTA: Asegúrese de que el filtro para la entrada de agua de la lavadora a presión esté en su lugar y sin obstrucciones antes de conectarla.

- Abra el suministro de la manguera de jardín y presione el gatillo de presión alta para liberar la presión del aire. Cuando salga un chorro constante de agua, suelte el gatillo.

NOTA: Asegúrese de que el grifo esté abierto completamente y de que no haya acodaduras o pérdidas en la manguera.

Para arrancar el motor:

- Con el interruptor de encendido/apagado en la posición apagado (O), conecte la lavadora de presión al suministro de corriente.

NOTA: Si está utilizando un prolongador, asegúrese de disponer un lazo de goteo según se describe en la página 2.

ADVERTENCIA:

Para reducir el riesgo de electrocución, mantenga todas las conexiones secas y lejos del suelo. No toque la clavija con las manos húmedas.

- Presione el botón de reajuste en la clavija de la lavadora de presión para asegurarse de que la unidad está lista para ser accionada.
- Coloque el interruptor de encendido/apagado en la posición de encendido (I) para arrancar el motor.

Para apagar el motor:

- Ponga el interruptor de encendido/apagado en la posición apagado (O).
- Oprima el gatillo para purgar el agua a presión.

FUNCIONAMIENTO

NOTA: La lavadora de presión puede estar encendida y el sistema puede tener presión aun cuando no se escuche que la bomba y el motor están funcionando. Siempre tenga precaución al estar cerca de la lavadora de presión.

USO DEL MANGO DEL GATILLO

Vea la figura 9.

ADVERTENCIA:

Sujete el mango firmemente con ambas mano. Se espera que el mango del gatillo se mueva cuando se tire del gatillo como consecuencia de las fuerzas de reacción. La inobservancia de esta advertencia podría causar pérdida de control y lesiones a usted y a otras personas.

- Para iniciar el chorro de agua, oprima y no suelte el gatillo.
- Para interrumpir el flujo del chorro de agua por la boquilla, suelte el gatillo.

Para accionar el seguro:

- Suba el seguro hasta dejarlo trabado en la ranura.

Para quitar el seguro:

- Baje el seguro a su posición original.

Comience con la boquilla a una distancia de entre 30 y 60 cm (1 y 2 pies) de la superficie a limpiar y acérquese a la superficie justo lo suficiente para alcanzar el nivel de limpieza deseado. Si está demasiado cerca el chorro, puede dañar la superficie que está limpiándose.

SELECCIÓN DE LA BOQUILLA CORRECTA DE CONEXIÓN RÁPIDA PARA CADA TRABAJO

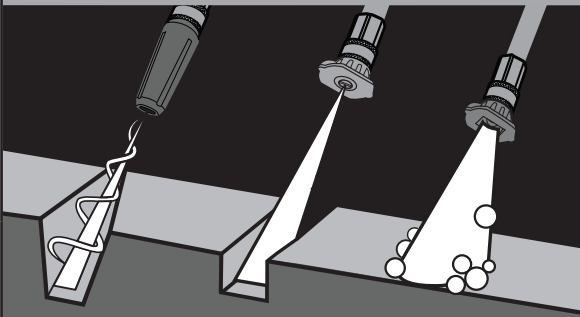







Vea la figura 10.

Cada una de las boquillas tiene un patrón de rociado diferente. Antes de empezar cualquier trabajo de limpieza, determine cuál es la mejor boquilla para el trabajo. Vea la **Guía de selección de boquillas** para obtener más información sobre qué boquilla utilizar.

ADVERTENCIA:

NUNCA quite las boquillas sin antes apagar el motor, desconecte del suministro de corriente, libere la presión de agua con el gatillo y coloque la traba del gatillo. NUNCA apunte con la boquilla a su rostro o al de otras personas. El elemento de conexión rápida contiene pequeños resortes que podrían eyectar la boquilla con fuerza. La inobservancia de estas instrucciones podría provocar lesiones en los ojos y otras lesiones personales graves.

GUÍA DE SELECCIÓN DE BOQUILLAS

BOQUILLA DE TURBO 15° JABÓN  ABRASIVO LEVE	ALTA PRESIÓN (NO USE ESTAS BOQUILLAS CON JABÓN)		BAJA PRESIÓN (PARA JABÓN O ENJUAGUES LEVES)
	Boquilla de turbo 	15° 	Boquilla azul o negro para jabón 
Cemento, ladrillo, mampostería 	✓	✓	✓
Revestimiento de muros exteriores, canalones, casas 		✓	✓
Cercas, terrazas, patios 		✓	✓
Equipos de jardinería, botes, casas rodantes 		✓	✓
✓ Boquilla recomendada ✓ Usar con cuidado en ciertas aplicaciones			

FUNCIONAMIENTO

Para conectar una boquilla al tubo rociador:

- Apague la lavadora de presión, desconecte del suministro de corriente, cierre el suministro de agua. **Oprima el gatillo para purgar el agua.**
- Accione el seguro el el mango de gatillo; para ello, suba aquél hasta que se traben en la ranura.
- Tire del collar de conexión rápida.
- Introduzca la boquilla en su lugar en el tubo rociador.
- Empuje del collar adelante para que la boquilla quede correctamente asegurada. Asegúrese de que la boquilla esté asegurada.

Para desconectar la boquilla del tubo rociador una vez comenzado el trabajo de limpieza:

- Apague la lavadora de presión, desconecte del suministro de corriente, cierre el suministro de agua. **Oprima el gatillo para purgar el agua.**
- Accione el seguro el el mango de gatillo; para ello, suba aquél hasta que se traben en la ranura.
- Tire y sostenga el collar de conexión rápida.
- Quite la boquilla tirando hacia atrás del collar de conexión rápida. Coloque la boquilla en el lugar donde se guardan éstas, en la parte superior de la máquina.

USO DE LA MANGUERA DE ALTA PRESIÓN



ADVERTENCIA:

Daño por inyecciones. Desenrolle por completo la manguera de alta presión y enderézela antes de usarla y durante el uso y no permita que se retuerza. La manguera de alta presión tiene una cubierta exterior que hace resistente a la manguera. Si la cubierta exterior está dañada, deje de usar la manguera y replácela inmediatamente. Una manguera retorcido o dañada puede tener una fuga de alta presión que puede provocar una inyección u otras lesiones personales graves.

Para evitar que el revestimiento externo se dañe:

- Inspeccione la manguera antes de cada uso.
- Desenrosque y estire la manguera antes de usarla.
- Evite que la manguera de alta presión se retuerza.
- Mantenga la manguera alejada de superficies calientes y bordes filosos.
- No arrastre la unidad cerca de la manguera de alta presión.
- Evite que otros objetos aplasten la manguera o que ésta se enrede con otros objetos.

LAVADO CON DETERGENTE

Vea las figuras 11 y 12.

Tal como se vende, esta unidad está diseñada para usarse con detergentes para lavadoras a presión de “flujo descendente”. Para convertir la lavadora de modo que se pueda utilizar con detergentes de “flujo ascendente”, comuníquese con un centro de servicio al cliente autorizado para obtener más información.

AVISO:

USE SÓLO DETERGENTES DISEÑADOS PARA LAVADORAS DE PRESIÓN. No utilice los detergentes caseros, soluciones ácidas, alcalinas, blanqueadores, solventes, materiales inflamables o de grado industrial pueden dañar la bomba o a la propiedad. Numerosos detergentes requieren mezclarse antes de usarse. Prepare la solución de limpieza de conformidad con las instrucciones de la botella correspondiente. Siempre pruebe en un área poco notoria antes de comenzar la limpieza.

- Desconecte la lavadora de presión del suministro de corriente.
- Agregue el detergente en el tanque de jabón. De ser necesario, use un embudo para evitar pérdidas de detergente fuera del tanque. Si se producen pérdidas de detergente durante el proceso de llenado, asegúrese de limpiar y secar la unidad antes de proceder.

NOTA: La configuración de la máquina de esta unidad es 20:1, lo que generalmente permite el uso de 3,79 l (1 galón) de detergente para lavadoras de presión sin más dilución. Consulte las instrucciones de su detergente para asegurarse de que no sea necesario realizar una dilución adicional.

- Instale la boquilla azul o negro para jabón del tubo rociador.
- Conecte la unidad al suministro de alimentación y encienda la lavadora de presión.
- Oprima el gatillo y espere aproximadamente 5 segundos a que comience a salir detergente.
- Rocíe el detergente en una superficie seca, con pasadas largas uniformes traslapadas. Para evitar la formación de franjas, no permita que seque el detergente en la superficie.

Antes de apagar el motor:

- Llene el tanque de jabón con agua limpia.
- Rocíe el agua limpia a través del tubo rociador hasta vaciar el tanque.
- Si queda jabón en el rociador, repita el proceso con un segundo tanque de agua limpia.
- Apague el motor.

NOTA: La presión del sistema no se aliviará apagando el motor. **Oprima el gatillo para purgar el agua a presión.**

FUNCIONAMIENTO

ENJUAGADO CON LA LAVADORA DE PRESIÓN

- Apague la lavadora de presión y cierre el suministro de agua. **Oprima el gatillo para purgar el agua.**
- Accione el seguro el mango de gatillo; para ello, suba aquél hasta que se trabe en la ranura.
- Para quitar el jabón la boquilla, coloque la mano sobre ella y a continuación tire del collar de conexión rápida. Coloque el jabón la boquilla en el lugar donde se guardan éstas, en la parte superior de la máquina.
- Seleccione el ajuste de boquilla adecuado para el trabajo. Vea el cuadro de la página anterior para seleccionar el ajuste de boquilla adecuado.
- Comience por la parte superior por enjuagar y avance hacia abajo, traslapando cada pasada.

USO DEL PROTECTOR DE BOMBA

Vea la figura 13.

El uso regular del protector para bombas comercialmente disponible prolonga la vida de la lavadora de presión, dado que elimina los sedimentos minerales del agua dura, lubrica las juntas y los pistones de la bomba y evita los daños por congelación. El protector de bomba debe agregarse a la unidad después de cada uso y antes de almacenarla. Este protector puede comprarse en el minorista donde compró la lavadora de presión o comunicándose con el servicio de atención al cliente. Este protector de bomba puede comprarse en el minorista donde compró la lavadora de presión o comunicándose con el servicio de atención al cliente.

Las instrucciones siguientes son para un protector de bombas típico pero siempre siga las instrucciones del fabricante del protector de bombas que utiliza.

- Apague el motor de la lavadora de presión, desconecte del suministro de corriente, y cierre el suministro de agua.

Tire del gatillo para purgar el agua.

- Desconecte la manguera de jardín y la de alta presión.
- Desenrosque la parte superior de la botella del protector de bomba y retire el sello de papel de la botella. Vuelva a colocar la tapa en la botella y apriétela con fuerza.
NOTA: El sello de goma debe quedar dentro de la parte superior roscada. Si se sale, asegúrese de volverlo a colocar antes de colocarle la tapa.
- Retire la tapa de la botella y calce el extremo roscado de la botella bien en la entrada de agua de la bomba de la lavadora de presión.
- Apriete la botella para inyectar el contenido en la bomba.
- La bomba está protegida cuando el líquido protector sale por el orificio de descarga de la bomba.

TRASLADO DE LA LAVADORA DE PRESIÓN

Vea la figura 14.

- Apague la lavadora de presión. Apunte la boquilla hacia una dirección segura y oprima el gatillo para purgar el agua a presión.
- Disconnect pressure washer from power supply.
- Tire del mango retráctil hacia fuera o transporte la unidad con el mango de transporte.
- Con el mango retráctil, colóquese enfrentado a la parte delantera de la lavadora a presión y agarre el mango retráctil de manera firme con la otra mano.
- Levante la lavadora a presión en dirección hacia usted hasta que quede equilibrada sobre las ruedas.
- Mueva la unidad al lugar deseado y, luego, baje la unidad de la lavadora a presión hasta que quede apoyada de forma segura en una superficie plana.
- Con el mango de acarreo, sujete firmemente la unidad. Levante la unidad hasta alcanzar una posición de acarreo cómoda y segura. Mueva la máquina a la posición deseada.

MANTENIMIENTO



ADVERTENCIA:

Antes de inspeccionar, limpiar o dar servicio a la máquina, apague el motor, espere a que se detengan todas las piezas en movimiento, desconecte el cable de la bujía y aléjelo de ésta. El incumplimiento de cualquiera de estas instrucciones puede causar lesiones serias.



ADVERTENCIA:

Siempre póngase protección ocular con protección lateral con protección lateral con la marca de cumplimiento de la norma ANSI Z87.1. Si no cumple esta advertencia, los objetos que salen despedidos pueden producirle lesiones serias en los ojos.

MANTENIMIENTO

ADVERTENCIA:

Al dar servicio a la unidad, sólo utilice piezas de repuesto idénticas. El empleo de piezas diferentes podría causar un peligro o dañar el producto.

AVISO:

Inspeccione periódicamente todo el producto para detectar partes dañadas, faltantes o sueltas, como tornillos, tuercas, pernos, tapas, etc. Apriete firmemente todos los sujetadores y las tapas y no accione este producto hasta que todas las partes faltantes o dañadas sean reemplazadas. Llame con el servicio al cliente o contacto con un centro de servicio autorizado para recibir asistencia.

MANTENIMIENTO GENERAL

Evite el empleo de solventes al limpiar piezas de plástico. La mayoría de los plásticos son susceptibles a diferentes tipos de solventes comerciales y pueden resultar dañados. Utilice paños limpios para eliminar la suciedad, el polvo, el aceite, la grasa, etc.

ADVERTENCIA:

No permita en ningún momento que fluidos para frenos, gasolina, productos a base de petróleo, aceites penetrantes, etc., lleguen a tocar las piezas de plástico. Las sustancias químicas pueden dañar, debilitar o destruir el plástico, lo cual a su vez podría producir lesiones corporales serias.

REEMPLAZO DEL CORDÓN DE CORRIENTE

Un centro de servicio autorizado deben cambiar el cordón de corriente, en caso de que sea necesario, para evitar peligros.

LUBRICACIÓN PARA LA BOMBA

La bomba de esta herramienta están lubricado con suficiente cantidad de aceite de alta calidad para toda la vida útil de la unidad en condiciones normales de funcionamiento. Por lo tanto, no se necesita lubricación adicional.

MANTENIMIENTO DE LA BOMBA

Realice una inspección visual diaria de la bomba. Si advierte una pérdida de lubricante alrededor de los sellos de la bomba, lleve la lavadora de presión a un centro de servicio calificado para que la repare.

La bomba de la lavadora de presión no contiene piezas que pueda reparar el usuario. Cualquier intento de realizar el mantenimiento de la bomba o de alterarla podrá dañar la lavadora de presión y anular la garantía del producto.

MANTENIMIENTO DE LAS BOQUILLAS

Veá la figura 15.

La presión excesiva de la bomba (se siente una sensación de pulsación al estar oprimiendo el gatillo) puede deberse a que la boquilla está tapada o sucia.

- Apague la lavadora de presión y cierre el suministro de agua. **Oprima el gatillo para purgar el agua.**
- Desconecte la lavadora a presión.
- Retire la boquilla del tubo rociador.

ADVERTENCIA:

NUNCA quite las boquillas sin antes apagar el motor, liberar la presión de agua con el gatillo y colocar la traba del gatillo. NUNCA apunte con la boquilla a su rostro o al de otras personas. El elemento de conexión rápida contiene pequeños resortes que podrían eyectar la boquilla con fuerza. La inobservancia de estas instrucciones podría provocar lesiones en los ojos y otras lesiones personales graves.

- Para liberar la boquilla de las obstrucciones de cualquier material extraño, retire los residuos con una clip de papel o una aguja fina (no incluye).
- Con una manguera de jardín expulse de la boquilla toda la basura presente con un contraflujo (haciendo pasar hacia atrás agua por la boquilla, o sea del exterior hacia el interior).
- Vuelva a conectar la boquilla al tubo rociador.
- Vuelva a instalar la manguera de jardín y conecte la lavadora de presión al suministro de corriente.

GUARDADO DE LA LAVADORA DE PRESIÓN

Veá las figuras 16 y 17.

NOTA: El uso regular de protector para bombas dará un mejor desempeño a la unidad y alargará la vida útil de la bomba.

Guardé la unidad en un lugar seco y cubierto, en el cual no pueda resultar dañada a la intemperie.

Es importante guardar este producto en un área protegida contra la congelación. Siempre vacíe todas las mangueras, la bomba y el tanque de jabón antes de guardar la unidad.

- Asegúrese de que el interruptor de encendido/apagado está en la posición apagado (O).
- Desenchufe la lavadora a presión y guarde el cable de alimentación envolviéndolo alrededor de los soporte de la parte trasera de la unidad.
- Desconecte la manguera de alta presión y la manguera de jardín de la bomba.
- Enrolle la manguera de alta presión en forma prolija y almacénela con la correa de gancho y lazada.

MANTENIMIENTO

- Inclina la unidad como se muestra para permitir que cualquier remanente de agua en la bomba desagote por la entrada de agua.

AVISO:

Si el lugar donde se almacena la lavadora de presión estará a temperatura por debajo de los 0 °C (32 °F), se requerirá usar un protector de bomba antes de almacenarla para evitar daños por congelación. Los daños por congelación anulará la garantía.

- Gire la varilla rociadora en sentido contrario a las agujas del reloj para quitarla del mango de gatillo. Almacene la varilla rociadora y el mango de gatillo desarmados en su área de almacenamiento.
- Guarde la unidad y los accesorios en un área que esté protegida contra las temperaturas bajo cero. No la guarde cerca de hornos u otras fuentes de calor que pueda secar los sellos de la bomba.

NOTA: Puede guardar la unidad en posición vertical u horizontal.

SOLUCIÓN DE PROBLEMAS

PROBLEMA	CAUSA POSIBLE	SOLUCIÓN
La lavadora de presión no se enciende cuando se presiona el gatillo.	<p>El cordón eléctrico no está conectado al suministro de corriente</p> <p>El interruptor está en la posición apagado (O)</p> <p>El GFCI está accionado</p> <p>El disyuntor de la casa o del taller se accionó</p> <p>Presión de agua en la manguera</p>	<p>Conecte el cordón eléctrico a un receptáculo alimentado con 120 V corr. alt., 60 Hz corr. alt.</p> <p>Coloque el interruptor de encendido/apagado en la posición de encendido (I).</p> <p>Presione el botón de reajuste en la clavija GFCI.</p> <p>Reajuste el disyuntor de la casa o del taller. Asegúrese de que la lavadora de presión esté conectada a un subcircuito individual únicamente. Si emplea un cordón de extensión, asegúrese que posea la capacidad suficiente para transportar la corriente de la lavadora de presión.</p> <p>Oprima el gatillo para liberar la presión de agua.</p>
La bomba no genera presión	<p>El suministro de agua es inadecuado</p> <p>El mango del gatillo tiene fugas</p> <p>Está tapada la boquilla</p> <p>Está defectuosa la bomba</p> <p>Aire en el conductor</p> <p>El filtro de entrada de agua está tapado o sucio</p>	<p>Suministre un flujo de agua adecuado.</p> <p>Verifique las conexiones y/o reemplace el mango del gatillo.</p> <p>Limpie la boquilla.</p> <p>Comuníquese con un centro de servicio autorizado.</p> <p>Oprima el gatillo del mango del gatillo para eliminar el aire del conductor.</p> <p>Retire el filtro de entrada de agua, enjuague con agua tibia y, luego, vuelva a colocarlo en la unidad.</p>

SOLUCIÓN DE PROBLEMAS

PROBLEMA	CAUSA POSIBLE	SOLUCIÓN
La máquina no alcanza presión alta	<p>Está demasiado pequeño el diámetro de la manguera de jardín</p> <p>Está restringido el suministro de agua</p> <p>No hay suficiente agua en la entrada</p> <p>La manguera tiene pérdidas</p> <p>La manguera está acodada</p>	<p>Reemplácela con una manguera de 19 mm (3/4 pulg).</p> <p>Revise la manguera de jardín para ver si tiene dobleces, fugas o bloqueos</p> <p>Abra el suministro de agua a toda su capacidad.</p> <p>Cambie la manguera.</p> <p>Quite la acodadura de la manguera.</p>
No hay detergente	<p>El tanque de jabón está vacío</p> <p>El suministro de agua es insuficiente o está tapado</p> <p>Está puesta una boquilla equivocada</p>	<p>Agregue más detergente al tanque.</p> <p>Verifique si la manguera de jardín está retorcida o si tiene fugas y obstrucciones.</p> <p>Instale boquilla azul o negro de alta presión.</p>
El tubo tiene fugas	<p>Debe reemplazar la junta tórica</p>	<p>Reemplace la junta tórica. Si no se soluciona el problema mediante este proceso, comuníquese con el centro de servicio autorizado para comprar un tubo nuevo.</p>

Si el problema persiste después de probar las soluciones mencionadas arriba, contacto con el servicio al cliente o con un centro de servicio autorizado para solicitar asistencia.

Este producto tiene una garantía limitada de tres años para fines personales, familiares o domésticos (90 días para usos trabajo o comercial). Para obtener detalles sobre la garantía, diríjase a www.ryobitools.com o llame sin cargo al 1-800-860-4050.



OPERATOR'S MANUAL
MANUEL D'UTILISATION
MANUAL DEL OPERADOR
ELECTRIC PRESSURE WASHER
LAVEUSE À PRESSION À ÉLECTRIQUE
LAVADORA DE PRESIÓN A ELÉCTRICA
RY1418MT

• **PARTS AND SERVICE:** Prior to requesting service or purchasing replacement parts, please obtain your item, manufacturing, and serial numbers from the product data plate.

ITEM NO. _____

MANUFACTURING NO. _____

SERIAL NO. _____

HOW TO OBTAIN REPLACEMENT PARTS: Replacement parts can be purchased online at www.ryobitools.com or by calling 1-800-860-4050. Replacement parts can also be obtained at one of our service centers.

HOW TO LOCATE A SERVICE CENTER: Service centers can be located online at www.ryobitools.com or by calling 1-800-860-4050.

HOW TO OBTAIN CUSTOMER OR TECHNICAL SUPPORT: To obtain customer or technical support please contact us at 1-800-860-4050.

RYOBI is a trademark of Ryobi Limited and is used pursuant to a license granted by Ryobi Limited.

• **PIÈCES ET SERVICE :** Avant de faire la demande de service ou l'achat de pièces de remplacement, veuillez obtenir le numéro d'article, le numéro de fabrication et le numéro de série à partir de la plaque de données du produit.

NUMÉRO D'ARTICLE _____

NUMÉRO DE FABRICATION _____

NUMÉRO DE SÉRIE _____

COMMENT OBTENIR LES PIÈCES DE REMPLACEMENT : Les pièces de remplacement peuvent être achetées en ligne sur le site www.ryobitools.com ou par téléphone au 1-800-860-4050. Les pièces de remplacement peuvent être obtenues à un de nos centres de service.

COMMENT TROUVER UN CENTRE DE SERVICE : Les centres de service peuvent être localisés en ligne au www.ryobitools.com ou en téléphonant au 1-800-860-4050.

COMMENT OBTENIR DE L'AIDE EN CONTACTANT LE SERVICE À LA CLIENTÈLE : Pour contacter le service à la clientèle pour une question technique ou pour tout autre renseignement, veuillez nous téléphoner au 1-800-860-4050.

RYOBI est une marque de Ryobi Limited et est utilisée en vertu d'une licence accordée par Ryobi Limited.

• **PIEZAS DE REPUESTO Y SERVICIO:** Antes de solicitar servicio técnico o comprar piezas de repuesto, obtenga su número de artículo, el número de fabricación y el número de serie de la placa de datos del producto.

NÚMERO DE ARTÍCULO _____

NÚMERO DE FABRICACIÓN _____

NÚMERO DE SERIE _____

CÓMO OBTENER PIEZAS DE REPUESTO: Las piezas de repuesto se pueden comprar en nuestro sitio en la red mundial, en la dirección www.ryobitools.com o llamando al 1-800-860-4050. Las piezas de repuesto también se pueden obtener en uno de nuestros centros de servicio.

CÓMO LOCALIZAR UN CENTRO DE SERVICIO: Puede encontrar los centros de servicio visitando nuestro sitio en la red mundial, en la dirección www.ryobitools.com or by calling 1-800-860-4050.

CÓMO OBTENER SERVICIO O ASISTENCIA TÉCNICA AL CONSUMIDOR: Para obtener servicio o asistencia técnica al consumidor, sírvase comunicarse con nosotros llamando al 1-800-860-4050.

RYOBI es una marca de Ryobi Limited y se utiliza conforme a una licencia otorgada por Ryobi Limited.

TECHTRONIC INDUSTRIES POWER EQUIPMENT

995000734
11-28-18 (REV:01)

P.O. Box 1288, Anderson, SC 29622 USA
1-800-860-4050 • www.ryobitools.com