

Features

- Brass construction.
- Stationary spout.
- Wall-mount installation.
- Six-prong handles.
- Requires a two-handle ceramic valve [K-410-K].
- 8-1/2" (216 mm) spout reach.
- 1.5 gal/min (5.7 l/min) maximum flow rate [max at 60 psi (4.14 bar)].

Required Accessories

K-410-K Wall-mount Valve

Optional Accessories

K-7114 Pop-Up Drain
K-7124 Pop-Up Clicker Drain
K-7127 Drain
K-7129 Drain



ADA

Codes/Standards

ASME A112.18.1/CSA B125.1
NSF 61
NSF 372
DOE - Energy Policy Act 1992
EPA WaterSense®
ADA
ICC/ANSI A117.1
All applicable US Federal and State material regulations

KOHLER® Faucet Lifetime Limited Warranty

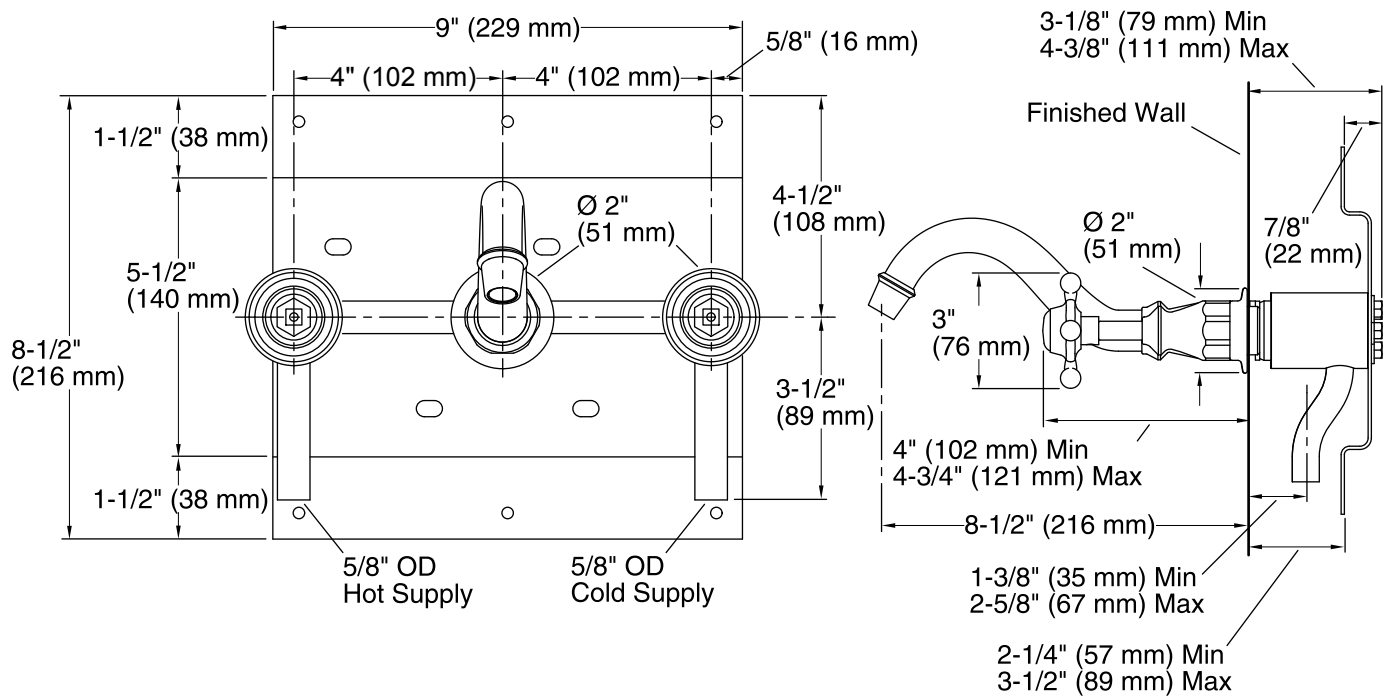
See website for detailed warranty information.

Available Color/Finishes

Color tiles intended for reference only.

Color Code Description

 PB Vibrant® Polished Brass



Technical Information

All product dimensions are nominal.

Spout reach: 8-1/2" (216 mm)

Faucet:

Flow rate: 1.5 gal/min (5.7 l/min)

Pressure: 60 psi (4.1 bar)

Notes

Install this product according to the installation guide.

Three 1-1/2" (38 mm) diameter cutout holes are required for the spout and handles.

The distance between the bottom of spout and top of the fixture rim must not be less than 1-1/2" (38 mm) and not greater than 6" (152 mm).

ADA compliant when installed to the specific requirements of these regulations.