



Item #	Model #
1003 624 336	GS05403-1D
1003 624 337	GS05403-1W
1003 624 338	GS07804-1D
1003 244 676	G7200WS-US
1003 813 409	G7200SS-US
1003 799 754	G4800AS-US
1003 564 474	GS07805-2D
1003 624 339	GS07804-DW

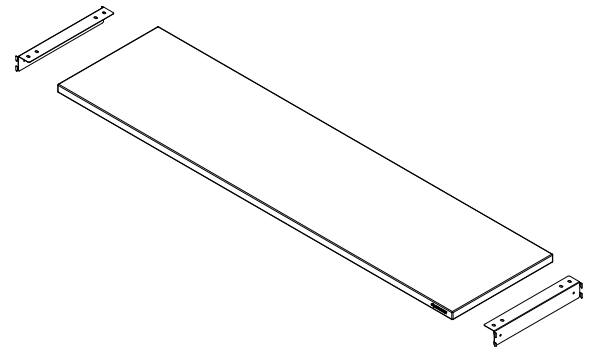
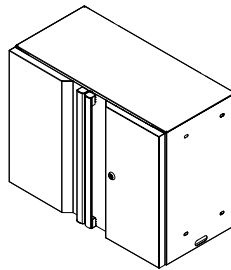
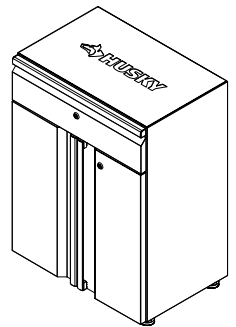
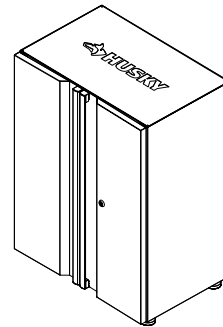
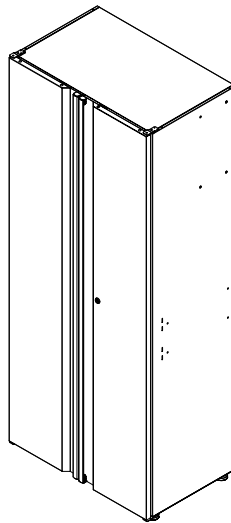
## USE AND CARE GUIDE

### HUSKY WELDED STEEL GARAGE STORAGE SERIES

Questions, problems, missing parts?  
Before returning to the store, call  
Husky Customer Service  
8 a.m. - 5 p.m., EST, Monday - Friday

1-888-HD-HUSKY

WWW.HUSKYTOOLS.COM



Due to continuing improvements,  
the actual product may differ slightly  
from the product described herein.

#### THANK YOU

*We appreciate the trust and confidence you have placed in Husky through the purchase of the garage cabinets. We strive to continually create quality products designed to enhance your home. Visit us online to see our full line of products available for your home improvement needs. Thank you for choosing Husky!*

## Table of Contents

Table of Contents .....	2	Pre-Assembly .....	3
Safety Information .....	2	Assembly .....	7
Warranty .....	2	Maintenance .....	13
Specifications .....	3	Care and Cleaning .....	13

## Safety Information

To reduce the risk of serious injury, read and follow the safety instructions below before assembling and using this product.

- This product is intended for indoor use only.
- This product is not designed for commercial nor industrial usage.
- Solid wood refers to rubber wood.



**CAUTION:** Use at least two people to move, assemble or install this product. Failure to do so can result in personal injury or product damage.



**CAUTION:** Close and lock the doors and drawer before moving this product.



**CAUTION:** DO NOT alter this product in any manner. For example, do not weld external bar locks or attach electrical equipment. This may cause product damage or personal injury.



**CAUTION:** Check all nuts and bolts periodically for tightness. When required, tighten them.



**CAUTION:** DO NOT leave children unattended near this product. Cabinet may tip over if improperly opened.



**WARNING:** Keep the product on level surfaces. The product could become unstable and it may tip over if stored or moved on an uneven surface, which may cause personal injury, death or product damage.



**WARNING:** Any assembly or maintenance of the product must be carried out by adults only.



**WARNING:** DO NOT stand on the product and do not use it as scaffold.



**WARNING:** It is always recommended to secure the cabinets to the wall with the anti-tip hardware provided.



**WARNING:** DO NOT put anything on the top panel of the wall cabinet or tall cabinet.

## Warranty

1 year Limited Warranty for solid wood work surface and stainless steel work surface.

This warranty excludes incidental/inconsequential damages and failures due to misuse, abuse or normal wear and tear.

This full warranty gives you specific rights, and you may also have other rights, which vary state to state.

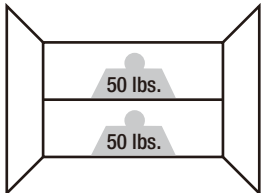
Contact the customer service team at 1-888-HD-HUSKY or visit [www.huskytools.com](http://www.huskytools.com).

# Specifications

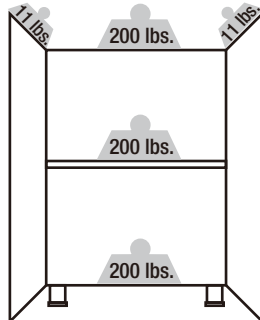
## WEIGHT CAPACITY



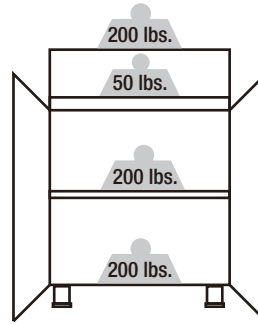
Work Surface  
Max 500 lbs.



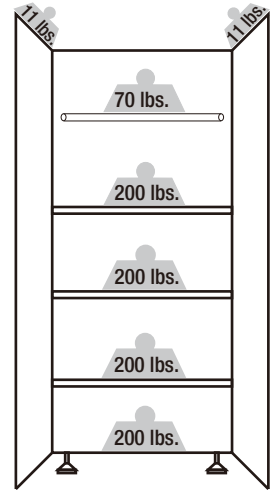
24 in. Wall Cabinet  
Max 100 lbs.



24 in. 2-door  
Base Cabinet  
Max 622 lbs.



24 in. 1-drawer  
2-door Base Cabinet  
Max 650 lbs.



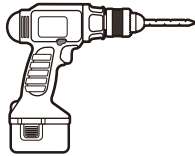
30 in. Locker  
Max 892 lbs.

## Pre-Assembly

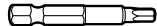
### TOOLS REQUIRED



Hex Wrench  
(Hex Key)



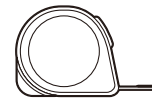
Drill  
(not included)



Hex Screwdriver Bit



Gloves  
(not included)



Measuring tape  
(not included)

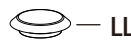
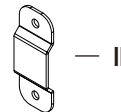
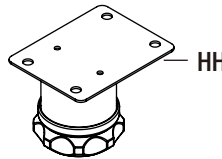
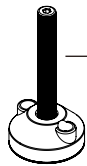
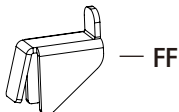
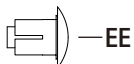
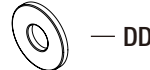
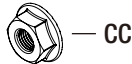
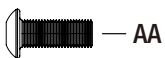


Socket (10mm)  
(not included)

### HARDWARE INCLUDED



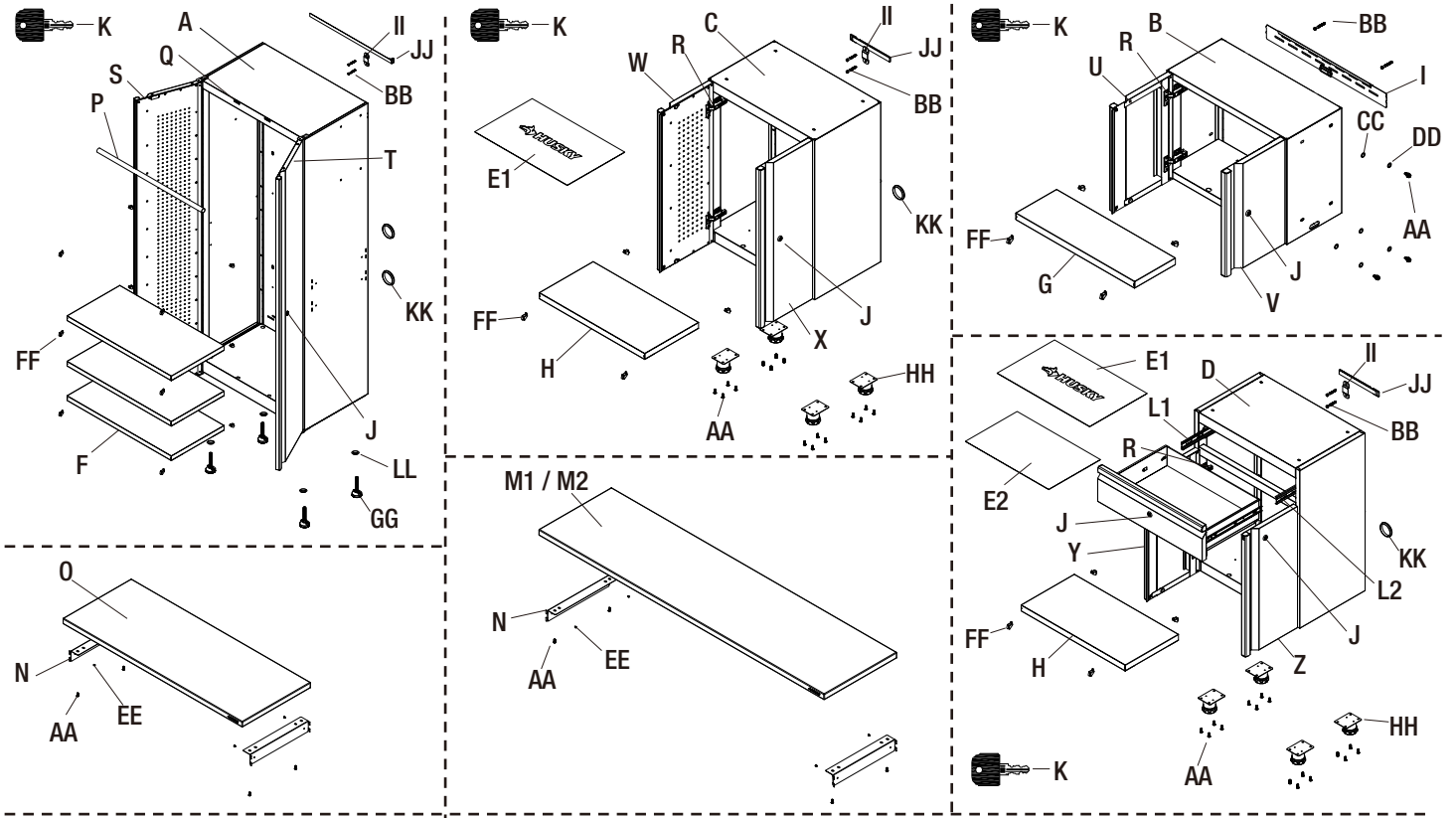
NOTE: Hardware not shown to actual size.



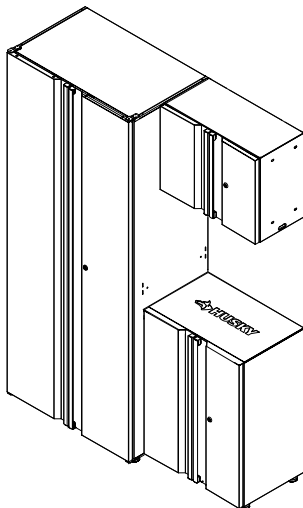
NO.	Description
AA	M6 x 16 hex socket head screw
BB	M6 x 40 hex tapping bolt
CC	M6 Flange Nut
DD	Washer
EE	Plastic nail
FF	Shelf support
GG	Leveler
HH	Adjustable foot
II	Safety bracket
JJ	Safety strap
KK	Grommet
LL	Plastic cover

# Pre-Assembly (continued)

## PACKAGE CONTENTS & SERVICE PARTS



Internet #  
306907980  
Husky 3-pc set  
(1 Door Unit)

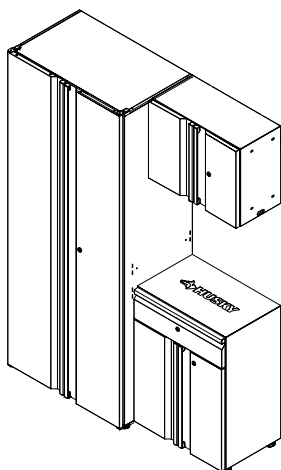


NO.	Description	Part #	Quantity
A	30 in. locker	KL300016T	1
B	24 in. wall cabinet	KV240002T	1
C	24 in. 2-door base cabinet	KB240015T	1
E1	Liner (with logo)	552132	1
F	Shelf for tall cabinet	241112	3
G	Shelf for wall cabinet	241292	1
H	Shelf for base cabinet	241321	1
I	Mounting bracket	120634	1
J	Lock	304246	3
K	Key	304213	6
P	Closet rod	241339	1
Q	Magnet	312033	2
R	Hinge	305399	8
S	Left door for 30 in. locker	120674	1
T	Right door for 30 in. locker	120676	1
U	Left door for 24 in. wall cabinet	120635	1

NO.	Description	Part #	Quantity
V	Right door for 24 in. wall cabinet	120638	1
W	Left door for 24 in. 2-door base cabinet	120641	1
X	Right door for 24 in. 2-door base cabinet	120643	1
AA	M6 x 16 hex socket head screw	320327	24
BB	M6 x 40 hex tapping bolt	320328	8
CC	M6 Flange nut	323085	8
DD	Washer	324050	8
FF	Shelf support	203902	20
GG	Leveler	313076	4
HH	Adjustable foot	313066	4
II	Safety bracket	212591	2
JJ	Safety strap	314230	2
KK	Grommet	314027	3
LL	Plastic cover	314147	4

# Pre-Assembly (continued)

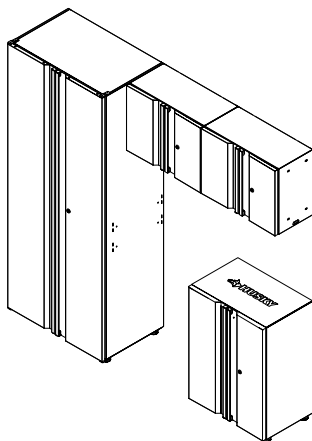
Internet #  
306907997  
Husky 3-pc set  
(1 Drawer Unit)



NO.	Description	Part #	Quantity
A	30 in. locker	KL300016T	1
B	24 in. wall cabinet	KV240002T	1
D	24 in. 1-drawer 2-door base cabinet	KB240101T	1
E1	Liner (with logo)	552132	1
E2	Drawer liner	552133	1
F	Shelf for tall cabinet	241112	3
G	Shelf for wall cabinet	241292	1
H	Shelf for base cabinet	241321	1
I	Mounting bracket	120634	1
J	Lock	304246	4
K	Key	304213	6
L1	Slide (left)	300375	1
L2	Slide (Right)	300376	1
P	Closet rod	241339	1
Q	Magnet	312033	2
R	Hinge	305399	8
S	Left door for 30 in. locker	120674	1
T	Right door for 30 in. locker	120676	1

NO.	Description	Part #	Quantity
U	Left door for 24 in. wall cabinet	120635	1
V	Right door for 24 in. wall cabinet	120638	1
Y	Left door for 24 in. 1-drawer 2-door base cabinet	120648	1
Z	Right door for 24 in. 1-drawer 2-door base cabinet	120647	1
AA	M6 x 16 hex socket head screw	320327	24
BB	M6 x 40 hex tapping bolt	320328	8
CC	M6 Flange nut	323085	8
DD	Washer	324050	8
FF	Shelf support	203902	20
GG	Leveler	313076	4
HH	Adjustable foot	313066	4
II	Safety bracket	212591	2
JJ	Safety strap	314230	2
KK	Grommet	314027	3
LL	Plastic cover	314147	4

Internet #  
306907992  
Husky 4-pc set  
(1 Door Unit)



NO.	Description	Part #	Quantity
A	30 in. locker	KL300016T	1
B	24 in. wall cabinet	KV240002T	2
C	24 in. 2-door base cabinet	KB240015T	1
E1	Liner (with logo)	552132	1
F	Shelf for tall cabinet	241112	3
G	Shelf for wall cabinet	241292	2
H	Shelf for base cabinet	241321	1
I	Mounting bracket	120634	2
J	Lock	304246	4
K	Key	304213	8
P	Closet rod	241339	1
Q	Magnet	312033	2
R	Hinge	305399	12
S	Left door for 30 in. locker	120674	1
T	Right door for 30 in. locker	120676	1
U	Left door for 24 in. wall cabinet	120635	2

NO.	Description	Part #	Quantity
V	Right door for 24 in. wall cabinet	120638	2
W	Left door for 24 in. 2-door base cabinet	120641	1
X	Right door for 24 in. 2-door base cabinet	120643	1
AA	M6 x 16 hex socket head screw	320327	28
BB	M6 x 40 hex tapping bolt	320328	12
CC	M6 Flange nut	323085	12
DD	Washer	324050	12
FF	Shelf support	203902	24
GG	Leveler	313076	4
HH	Adjustable foot	313066	4
II	Safety bracket	212591	2
JJ	Safety strap	314230	2
KK	Grommet	314027	3
LL	Plastic cover	314147	4

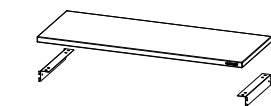
Internet #  
305501546  
306907995  
Husky 72 in.  
Work Surface



NO.	Description	Part #	Quantity
M1	72 in. solid wood work surface	571995	1
M2	72 in. stainless steel work surface	120812	1
N	L bracket	241122	2

NO.	Description	Part #	Quantity
AA	M6 x 16 hex socket head screw	320327	4
EE	Plastic nail	314257	4

Internet #  
307245315  
Husky 48 in.  
Work Surface

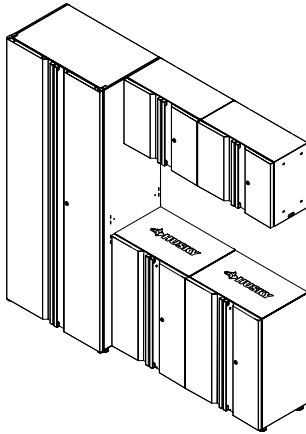


NO.	Description	Part #	Quantity
O	48 in. work surface	572056	1
N	L bracket	241122	2

NO.	Description	Part #	Quantity
AA	M6 x 16 hex socket head screw	320327	4
EE	Plastic nail	314257	4

## Pre-Assembly (continued)

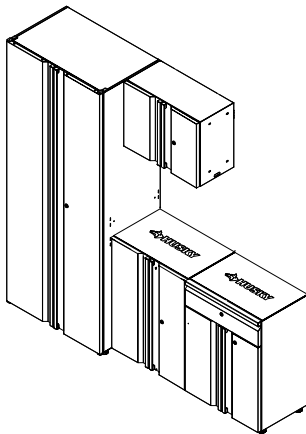
Internet #  
306605243  
Husky 5-pc set  
(2 Door Units)



NO.	Description	Part #	Quantity
A	30 in. locker	KL300016T	1
B	24 in. wall cabinet	KV240002T	2
C	24 in. 2-door base cabinet	KB240015T	2
E1	Liner (with logo)	552132	2
F	Shelf for tall cabinet	241112	3
G	Shelf for wall cabinet	241292	2
H	Shelf for base cabinet	241321	2
I	Mounting bracket	120634	2
J	Lock	304246	5
K	Key	304213	10
P	Closet rod	241339	1
Q	Magnet	312033	2
R	Hinge	305399	16
S	Left door for 30 in. locker	120674	1
T	Right door for 30 in. locker	120676	1
U	Left door for 24 in. wall cabinet	120635	2

NO.	Description	Part #	Quantity
V	Right door for 24 in. wall cabinet	120638	2
W	Left door for 24 in. 2-door base cabinet	120641	2
X	Right door for 24 in. 2-door base cabinet	120643	2
AA	M6 x 16 hex socket head screw	320327	44
BB	M6 x 40 hex tapping bolt	320328	14
CC	M6 Flange nut	323085	12
DD	Washer	324050	12
FF	Shelf support	203902	28
GG	Leveler	313076	4
HH	Adjustable foot	313066	8
II	Safety bracket	212591	3
JJ	Safety strap	314230	3
KK	Grommet	314027	4
LL	Plastic cover	314147	4

Internet #  
306907993  
Husky 4-pc set  
(1 Door Unit and  
1 Drawer Unit)



NO.	Description	Part #	Quantity
A	30 in. locker	KL300016T	1
B	24 in. wall cabinet	KV240002T	1
C	24 in. 2-door base cabinet	KB240015T	1
D	24 in. 1-drawer 2-door base cabinet	KB240101T	1
E1	Liner (with logo)	552132	2
E2	Drawer liner	552133	1
F	Shelf for tall cabinet	241112	3
G	Shelf for wall cabinet	241292	1
H	Shelf for base cabinet	241321	2
I	Mounting bracket	120634	1
J	Lock	304246	5
K	Key	304213	8
L1	Slide (left)	300375	1
L2	Slide (right)	300376	1
P	Closet rod	241339	1
Q	Magnet	312033	2
R	Hinge	305399	12
S	Left door for 30 in. locker	120674	1
T	Right door for 30 in. locker	120676	1
U	Left door for 24 in. wall cabinet	120635	1

NO.	Description	Part #	Quantity
V	Right door for 24 in. wall cabinet	120638	1
W	Left door for 24 in. 2-door base cabinet	120641	1
X	Right door for 24 in. 2-door base cabinet	120643	1
Y	Left door for 24 in. 1-drawer 2-door base cabinet	120648	1
Z	Right door for 24 in. 1-drawer 2-door base cabinet	120647	1
AA	M6 x 16 hex socket head screw	320327	40
BB	M6 x 40 hex tapping bolt	320328	10
CC	M6 Flange nut	323085	8
DD	Washer	324050	8
FF	Shelf support	203902	24
GG	Leveler	313076	4
HH	Adjustable foot	313066	8
II	Safety bracket	212591	3
JJ	Safety strap	314230	3
KK	Grommet	314027	4
LL	Plastic cover	314147	4



**NOTE:** The workbench (Internet# TBD ) coordinates well with the above units, replacing the work surface, to meet different storage requirements.



**NOTE:** The caster kit (Internet# 306907994) coordinates well with the base cabinets for easy mobility.

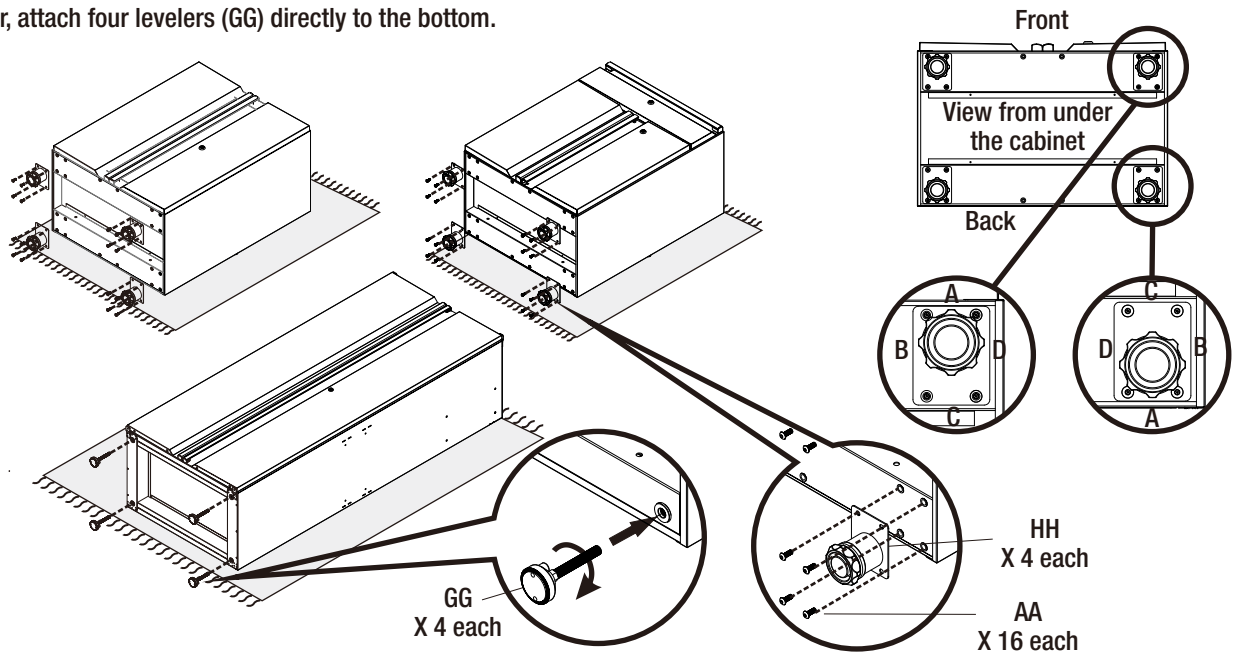
# Assembly



**CAUTION:** Please wear gloves during the whole assembling process.

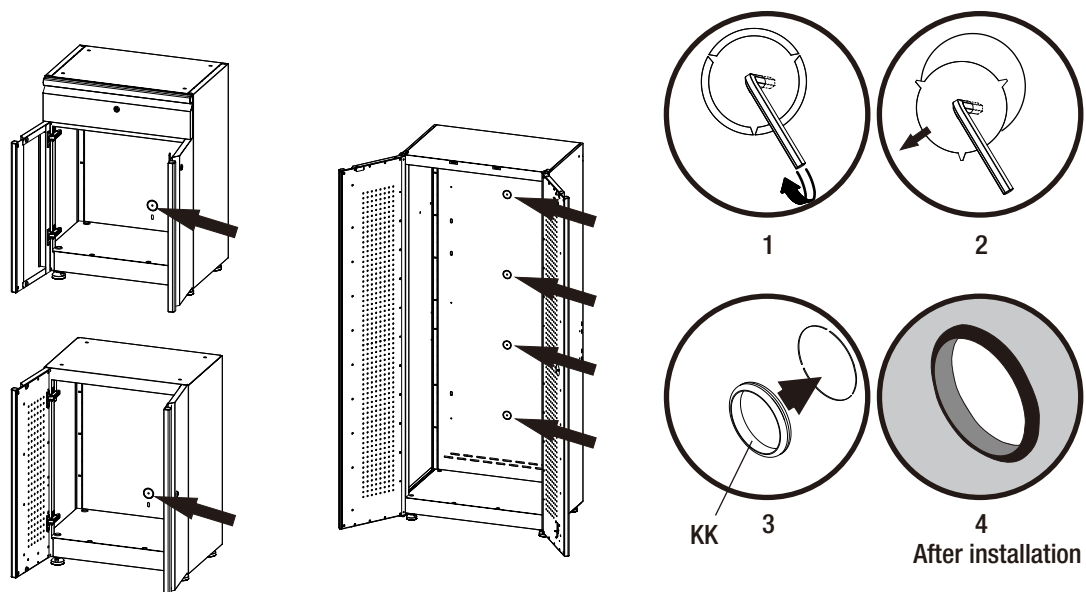
## 1 INSTALLING THE ADJUSTABLE FEET OR LEVELERS

- For base cabinet, attach the feet (HH) to the bottom using sixteen screws (AA) and tighten securely. Make sure side A of the adjustable feet (HH) is facing either towards the back or the front of the cabinet.
- For locker, attach four levelers (GG) directly to the bottom.



## 2 INSTALLING THE GROMMETS

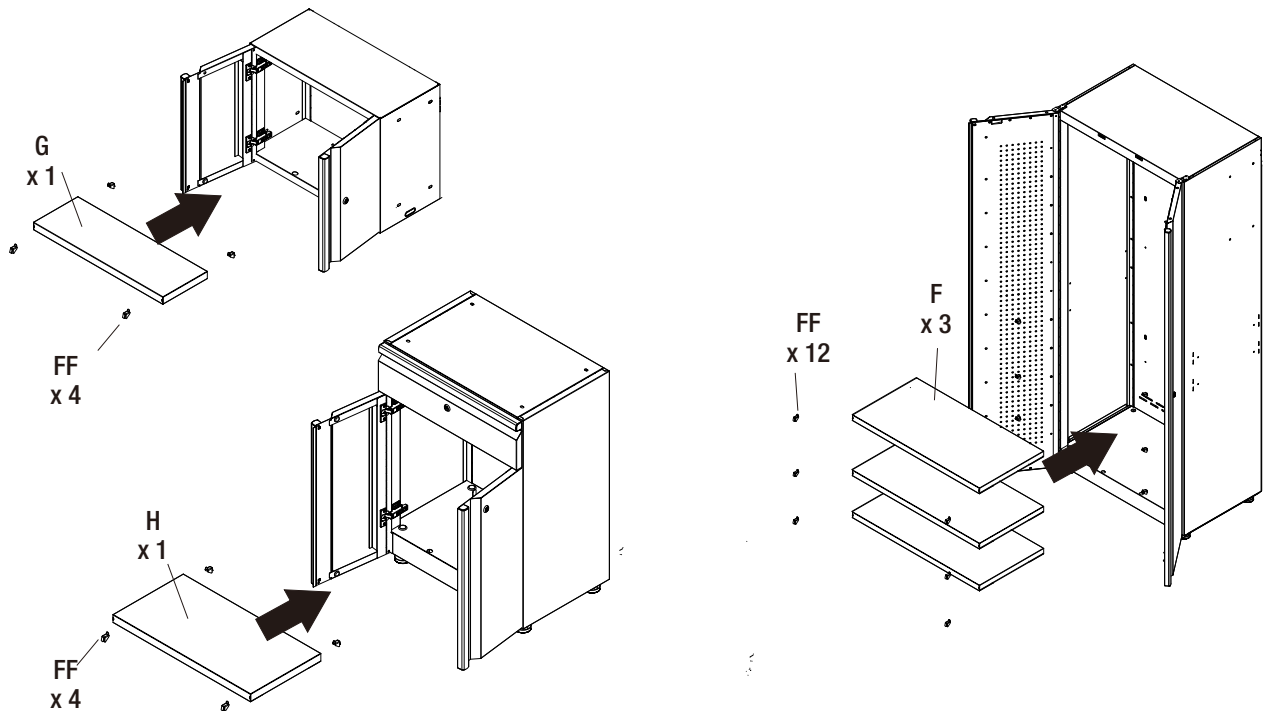
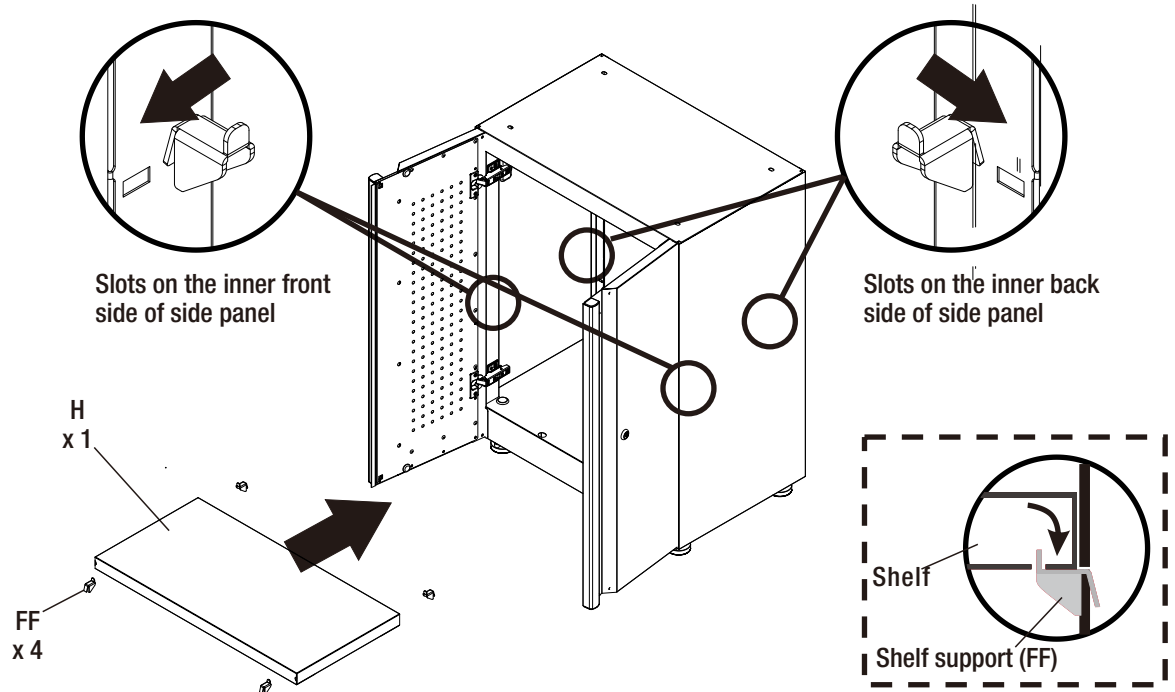
- Use the short side of the hex wrench to pry out the knock-outs of your desired cord access holes. Then install the grommets (KK) into those holes.



# Assembly (continued)

## 3 INSTALLING THE SHELVES

- Insert shelf brackets (FF) into the slots at the desired heights and place the shelves over the shelf brackets (FF).

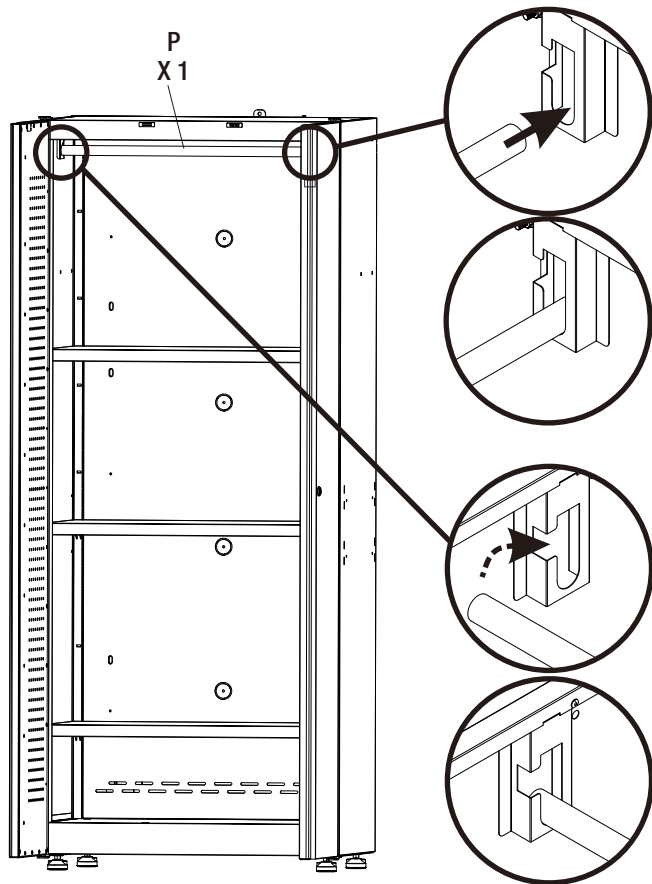




## Assembly (continued)

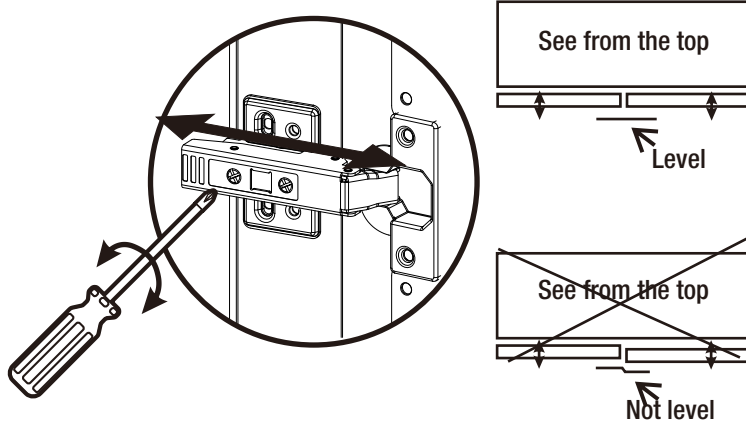
### 4 INSTALLING THE CLOSET ROD

- Place the closet rod (P) as shown in your locker.

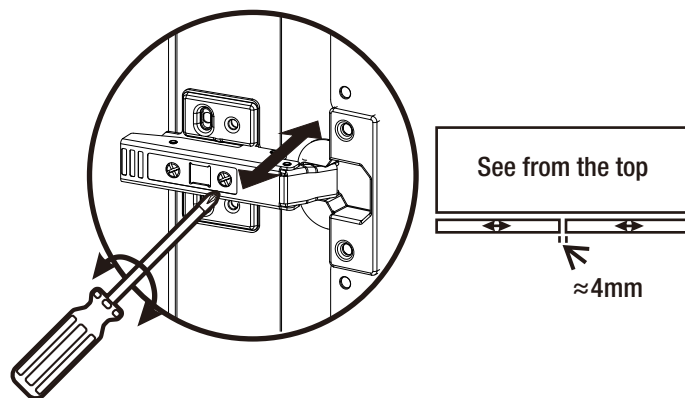


### 5 ADJUSTING THE DOOR (IF APPLICABLE)

- Screw the inner screw on the hinge (R) to adjust the gap between the doors and shell. Ensure the door is always level.



- Screw the outer screw on the hinge (R) to adjust the gap between the doors. Ensure the door is always level. The gap should always be about 4 mm.

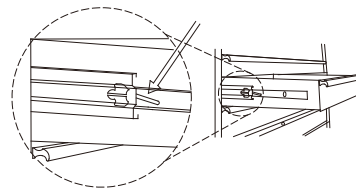


### 6 DRAWER REMOVAL AND REPLACEMENT (IF APPLICABLE)

#### DRAWER REMOVAL

Empty the drawer. Pull the drawer out so it's almost fully extended. There are two black release levers, one on each side of the drawer. Pull up the black release lever on one side, while pushing down the black release lever on the other side. While holding the levers in the positions as instructed above, pull the drawer outward until it is released from the drawer slides (L1 & L2).

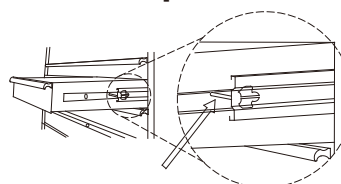
Push down – one side



#### DRAWER REPLACEMENT

Extend the drawer slides (L1 & L2) from the tool chest or cabinet. Insert the brackets on each side of the drawer into the slots in the slides, being careful that they are properly positioned. Once properly inserted, completely close the drawer to set the slides in their proper positions.

Pull up – other side



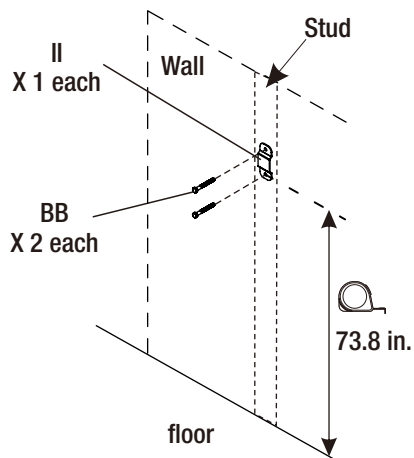
# Assembly (continued)

## 7 CONNECTING TO THE WALL

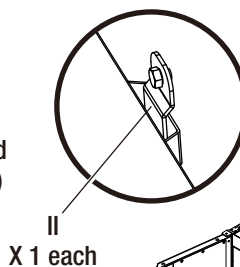


**CAUTION:** The M6 x 40 hex tapping bolts (BB) should be drilled into the stud of the wall.

- Bolt the safety bracket (II) with two screws (BB) to the stud in the wall. Fasten the locker by using the safety strap (JJ) to tie the locker and safety bracket (II) together.

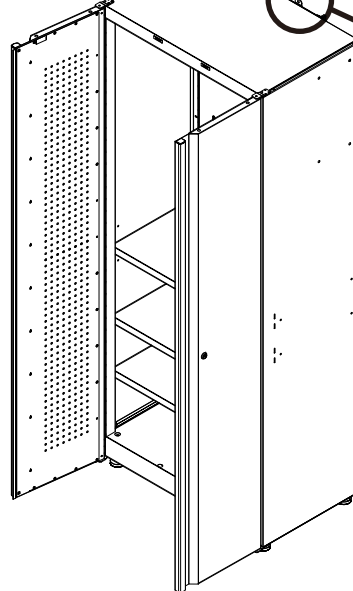


View from cabinet top



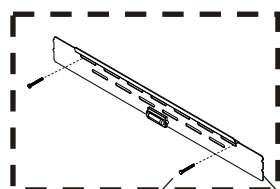
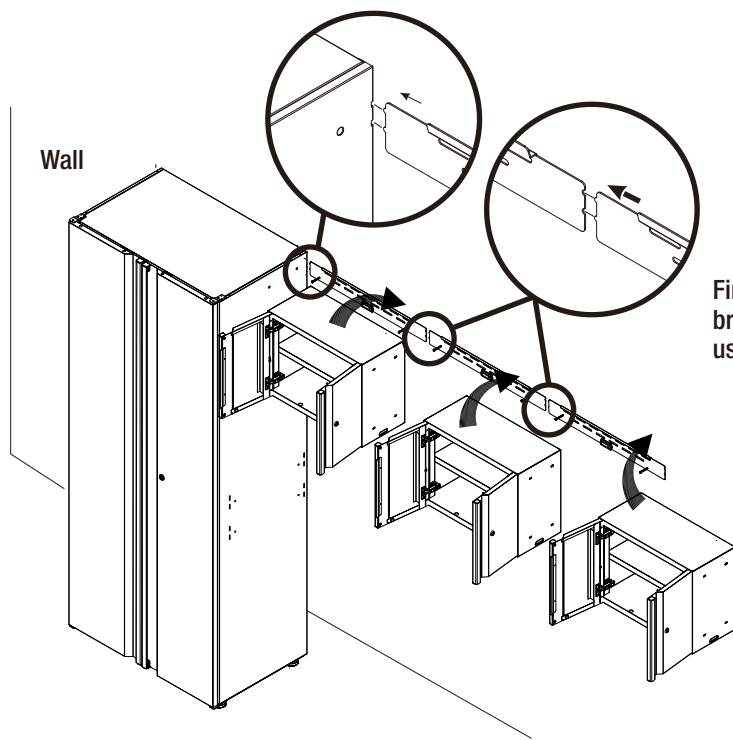
Wall

View from inside of cabinet



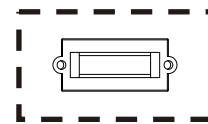
JJ  
X 1 each

- Use the notch to line up the mounting brackets (I) and hang the wall cabinets.

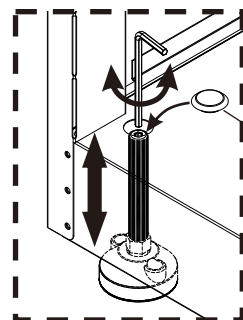


BB X 2 each I X 1 each

Find the studs in the wall and bolt the bracket (I) to as many studs as possible using the bolts (BB).

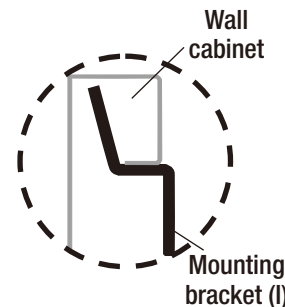


Use the level on the mounting brackets (I) to ensure the mounting brackets (I) at the same level.



Adjust the levelers (GG) and cover the holes.

LL  
X 4 each

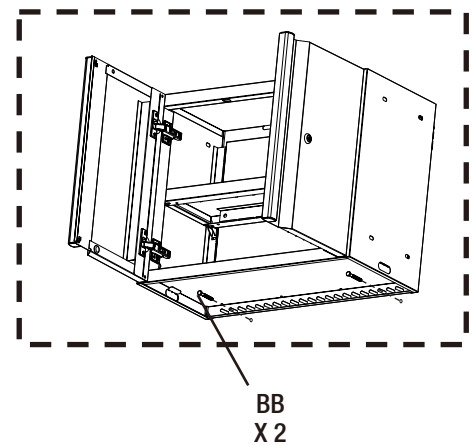
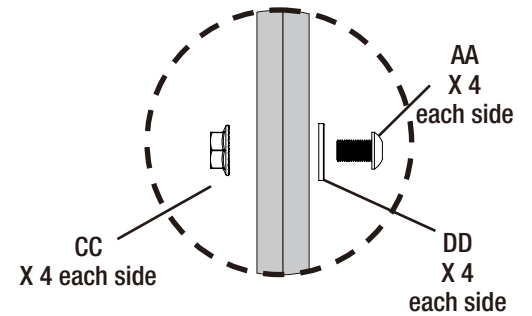
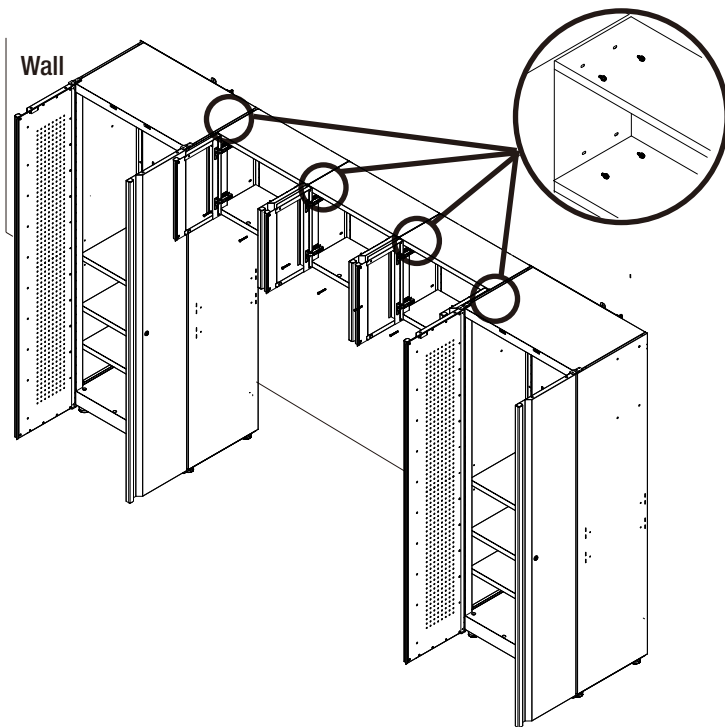


Hang the wall cabinet to the mounting bracket (I).

## Assembly (continued)

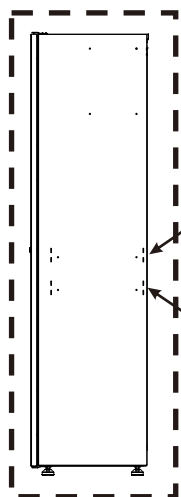
### 8 CONNECTING THE WALL CABINET TO THE CABINETS NEXT TO IT

- Connect the wall cabinet as shown and tighten securely with four screws (AA), four nuts (CC) and four washers (DD) for each side.
- Attach the wall cabinet to the stud inside the wall with two screws (BB) each to avoid the cabinet accidentally falling off.



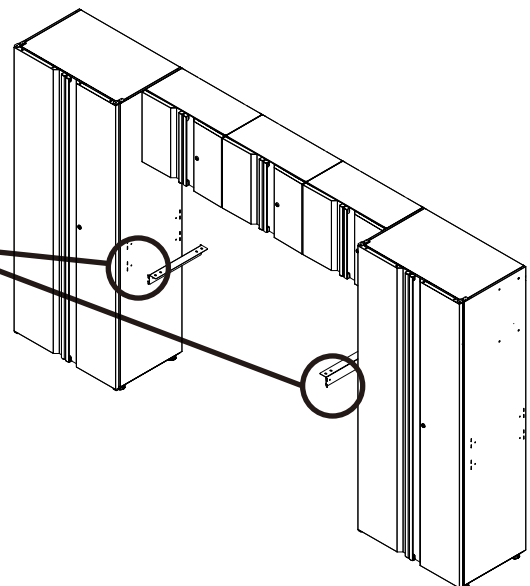
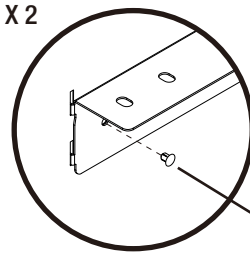
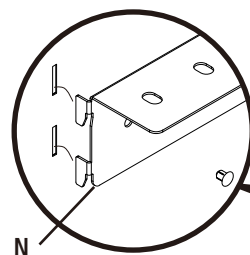
### 9 INSTALLING WORK SURFACE

- Insert two L brackets (N) into the slots on the locker side and attach them with four plastic nails (EE).



If the base cabinets have casters, use it.

If the base cabinets have adjustable feet, use it.



## Assembly (continued)

- Attach the work surface on the L brackets (N) with four screws (AA). Make sure the side with Husky logo faces the front. Use two screws (AA) on each side.



**IMPORTANT:** The side with HUSKY logo should face the front.

N  
X 2 each

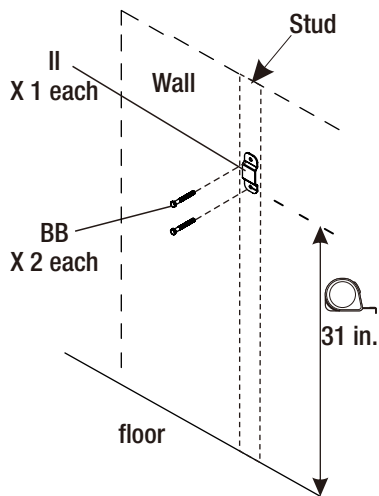
AA  
X 4 each

## 10 POSITIONING THE BASE CABINETS



**CAUTION:** The M6 x 40 hex tapping bolts (BB) should be drilled into the stud of the wall.

- Place the liner (with logo) (E1) on top of the base cabinets and place the base cabinets underneath the work surface.
- Bolt the safety bracket (II) for each base cabinet with two bolts (BB) to the stud in the wall and fasten the base cabinet by using the safety strap (JJ) to tie the base cabinet and safety bracket (II) together.



II  
X 1 each

View from cabinet top

E1  
x 1 each

View from inside of cabinet

JJ  
x 1 each

## Maintenance

---

- Check all the screws and nuts periodically for tightness. Tighten them when necessary.
- Check the safety strap periodically for tightness. Tighten it when necessary.

## Care and Cleaning

---

- Periodically clean the surfaces with a soft rag and water.
- Grease and oil can be removed with most standard cleaning fluids. For safety, use a nonflammable cleaning fluid.



Questions, problems, missing parts? Before returning to the store,  
call Husky Customer Service

8 a.m. - 5 p.m., EST, Monday - Friday,

**1-888-HD-HUSKY**

**[WWW.HUSKYTOOLS.COM](http://WWW.HUSKYTOOLS.COM)**

Retain this manual for future use.