

# Assembly Instructions

**Caution :** You must read this before you proceed.

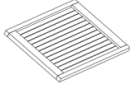

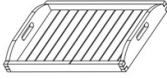

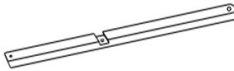
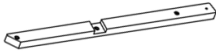














## **BAR CART**



**CAUTION :** This Bar Cart is NOT a TOY.

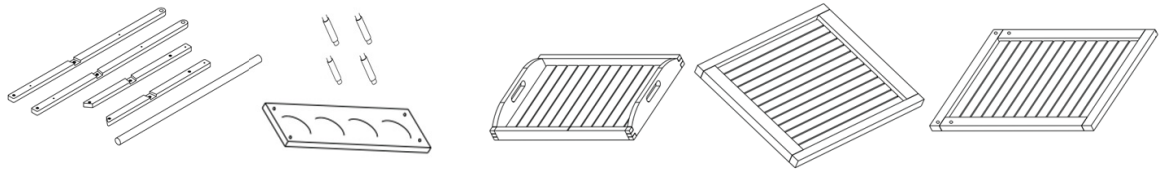
Keep your child / children at bay in the process of assembly.

For turning / flipping the Bar Cart and to prevent damage to the Bar Cart, two adults may be needed to execute this action.

<b>Parts List</b>			
No.	Picture	Description	QTY
A		Upper Tray	1
B		Lower Tray	1
C		Removable Tray	1
D		Long Leg - RIGHT	1
E		Long Leg - LEFT	1
F		Short Leg - RIGHT	1
G		Short Leg - LEFT	1
H		Wheel	4
I		Handle	1
J		Support Bar	4
K		Bottle Holder	1
<b>Hardware</b>			
No.	Picture	Description	QTY
①		Long Bolt (M6x45mm)	5
②		Medium Bolt (M6x35mm)	9
③		Short Bolt (M6x15mm)	3
④		Allen Screw (M7x40mm)	3
⑤		Sleeve Nut	7
⑥		Thin Flat Washer (D4mm)	5
⑦		Thick Flat Washer (D2mm)	5
⑧		Metal Tube	5
⑨		Allen Key	2

## Assembly Preparation

Before Beginning Assembly:



- Read instructions, cover to cover-



- Have 2 adults on hand for assembly-



- Do not assemble on flooring or carpet-



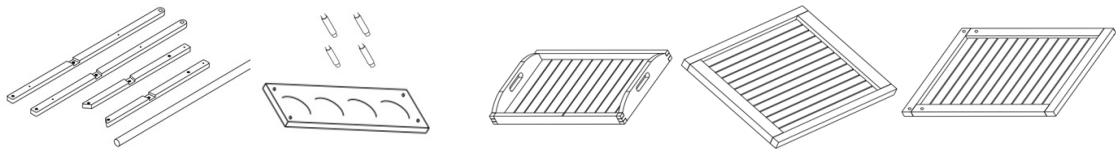
- Assemble on a clean non-marring surface (packing foam)-



- Save all packaging until finished-

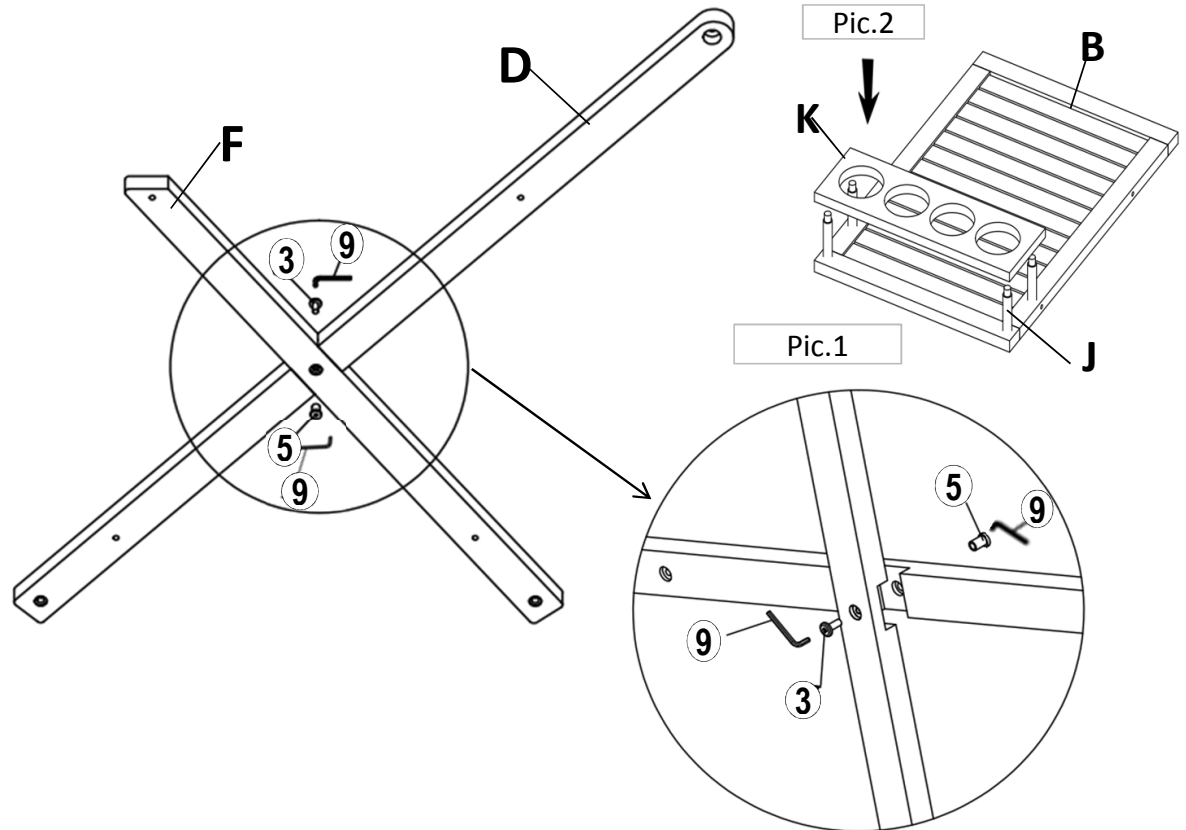
## Assembly Steps

### Step 1



Unpack and place all parts on a clean, non-marring surface.

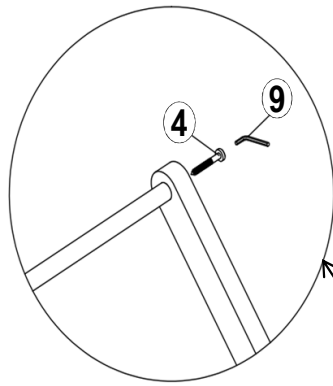
### Step 2



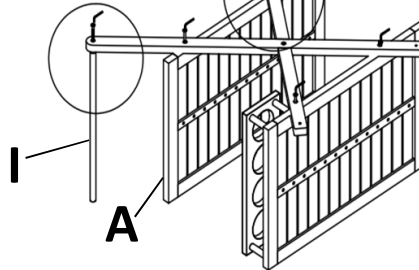
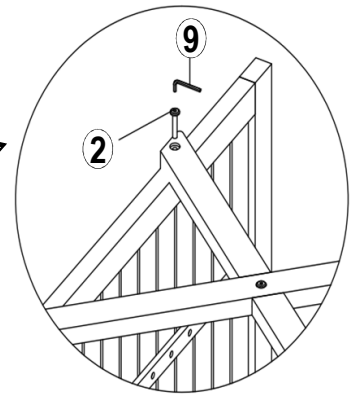
Align and intersect the halved joints of the Right Long Leg (D) and Right Short Leg (F) together. Insert the Short Bolt (③) and Sleeve Nut (⑤) through the mounting positions on the Right Long Leg (D) and Short Leg - Right (F) using Allen Keys (⑨) as shown in Pic.1. Repeat the same process with the Long Leg - Left (E) and Short Leg - Left (G). Insert four Support Bars (J) into mounting position of Lower Tray (B). Place Bottle Holder (K) onto Support Bars (J) as show Pic.2.

**Step 3**

Pic.4



Pic.3



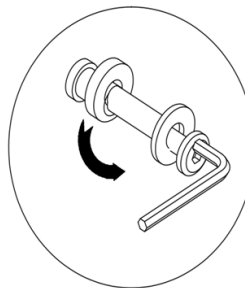
With the assistance from your partner, position Tray(A) and Tray(B) sideways as shown in the picture.

Place the Right Leg Frame onto the sides of the Trays and align the mounting positions. Loosely affix the Right Leg Frame to the Trays using Medium Bolts(②) with Allen Key (⑨) as shown in Pic.3.

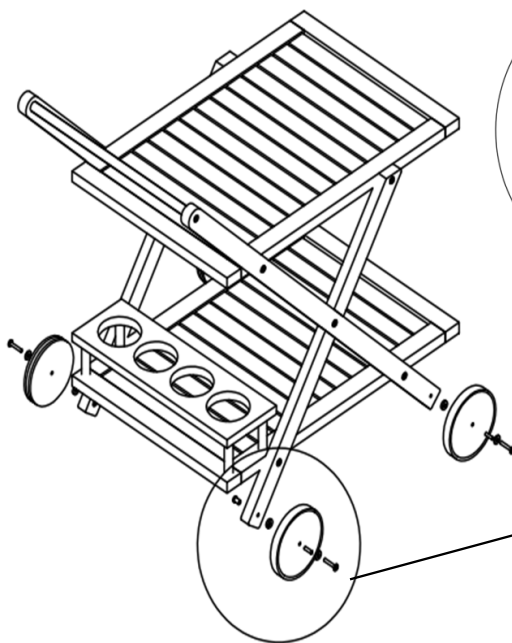
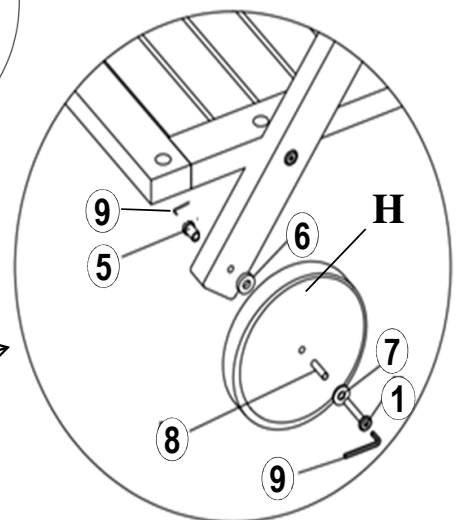
Attach Handle (I) to Right Leg Frame using Allen Screw (④) with Allen Key (⑨). Carefully turn the Cart over and rest it on the other side. Then, repeat the same process for the Left Leg Frame.

**Step 4**

Pic.5

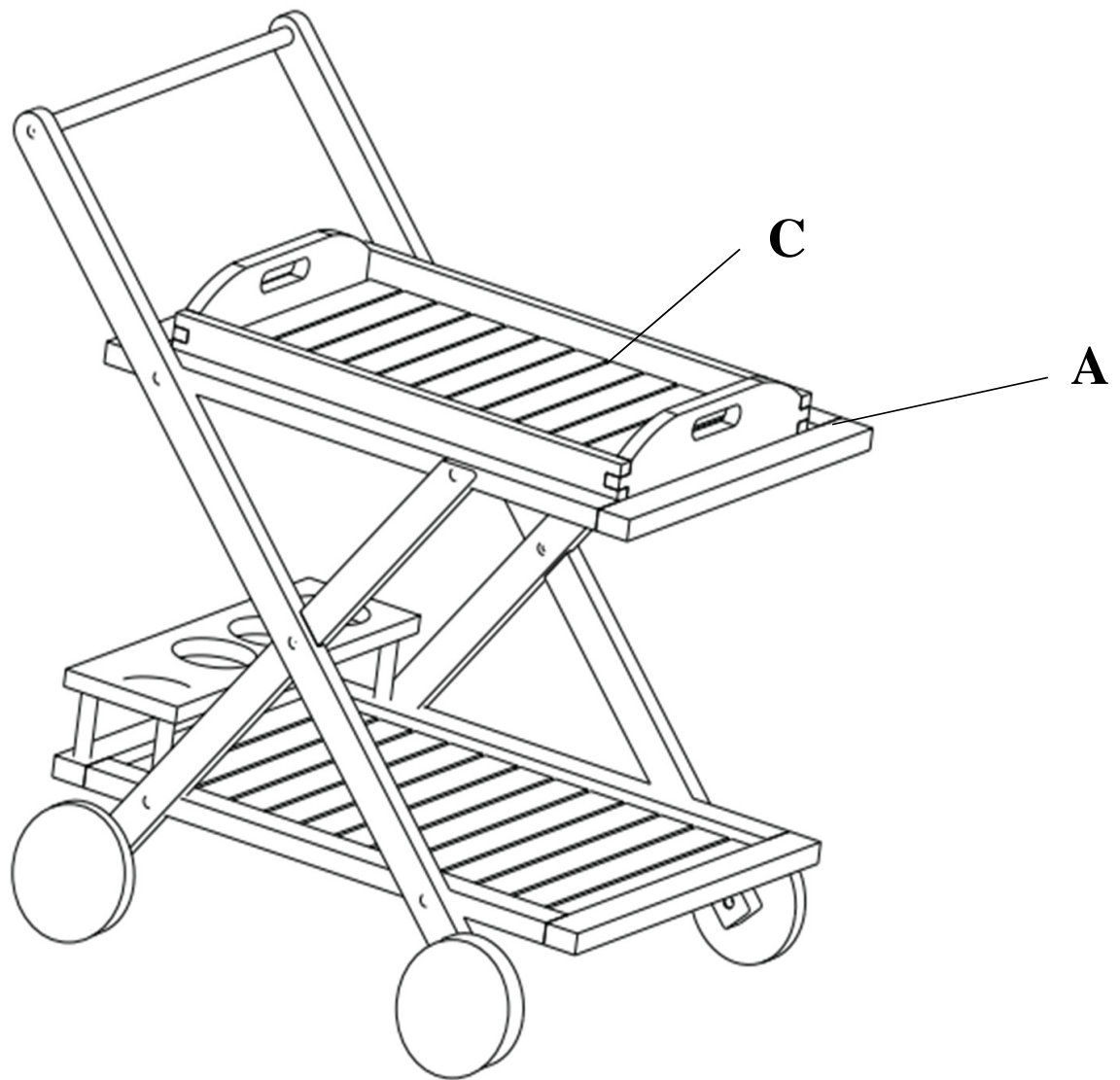


Pic.6












Secure Wheels(H) to Leg Frames, using Sleeve Nut (⑤),Thin Flat Washer Ring (⑥) Wheel (H), Metal Tube (⑧), Thick Flat Washer Ring (⑦) and Long Bolt(①), as shown in Pic. 6, then tighten with the Allen Keys (⑨).

**Step 5**



Proceed to fully tighten all Screws and Bolts, in a sequential manner.  
Then, place the Removable Tray(C) onto Upper Tray(A) as shown above.  
Your Bar Cart is now ready for use.

## Care & Maintenance

- |   |  |
|---|--|
|  | <input checked="" type="checkbox"/> Do not put hot items directly on furniture surface.  |
|  | <input checked="" type="checkbox"/> Do not clean furniture with harsh cleansers or polish.   |
|  | <input checked="" type="checkbox"/> To obtain the longest lifespan of your outdoor products, minimizing exposure to direct sunlight is recommended.  |
|  | <input checked="" type="checkbox"/> Children should not climb or jump on the furniture.  |
|  | <input checked="" type="checkbox"/> Do not write on furniture without a padded barrier to protect the surface.   |
|  | <input checked="" type="checkbox"/> To obtain the longest lifespan of your outdoor products, avoid extended and lengthy exposure to rain, snow, and direct sunshine. Whenever possible cover the product and /or place under patio or awnings. |
|  | <input checked="" type="checkbox"/> Not for commercial use. For residential use only.  |
|  | <input checked="" type="checkbox"/> Stains may be removed with mild soap solution and damp cloth.  |
|  | <input checked="" type="checkbox"/> Dust and pick-up spills using a clean, non-colored, lint-free cloth.   |

### What is Proposition 65?

Proposition 65 is a California law that requires warning labels on products that may contain one of more than 800-plus chemicals or ingredients that the California Office of Environmental Health Hazard Assessment (OEHHA) has deemed to cause cancer or other reproductive toxicity. Chemicals and elements on this list include wood dust, brass, and other everyday substances, which can be found in very common household items, such as: lamps, tableware, jewelry, crystal glasses, electric cords, beauty products, automobiles, and furniture.

### Why Did I Find a Proposition 65 Warning on My Home Goods Product?

We include Proposition 65 warnings on all of our products because there is always a chance that one of the 800-plus common chemicals and ingredients listed under this law could potentially be on our furniture or packing materials. We risk large fines under this law, if we don't include this warning.

### Should I worry?

We realize you may be worried finding this warning on our products, but we want to reassure you that the hazardous exposure limits for any of these chemicals have never been found on furniture products that we've shipped to our customers. Additionally, this warning label is very common and can be found on almost every piece of furniture sold in the state of California.

### Just How Common Are Proposition 65 Warnings?

Proposition 65 warnings have become so common in California that it is hard to take a trip to a local bank, grocery store, or restaurant without finding at least one warning. In fact, even the Disney Land Resort has a Proposition 65 warning:

