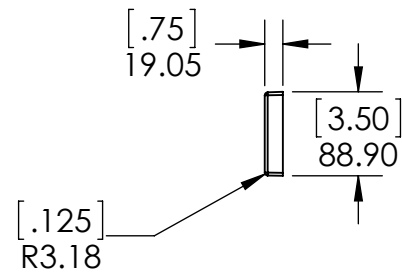
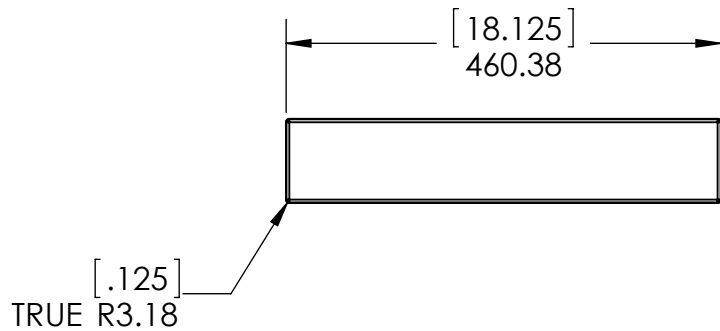



DRAWING TYPE	ITEM ID	ITEM DESCRIPTION	TECHNOLOGIES	DRAWING STATUS
Finish good	SSSE18-BN	Side Splash SE 18.125x3.5in COM - Bono (Oyster Pearl)	Stone Effect	Design Process
Finish good	SSSE18-WM	Side Splash SE 18.125x3.5in COM - Winter Mist	Stone Effect	Design Process



Estimated Weight: 2.07 kg

PROPRIETARY AND CONFIDENTIAL THE INFORMATION CONTAINED IN THIS DRAWING IS THE SOLE PROPERTY OF WOODCRAFTERS. ANY REPRODUCTION IN PART OR AS A WHOLE WITHOUT THE WRITTEN PERMISSION OF WOODCRAFTERS IS PROHIBITED.	UNLESS OTHERWISE SPECIFIED	NAME	DATE			
	DIMENSIONS ARE IN MM. AND (INCHES)	DRAWN	R. Rubio		5/25/17	
	TOLERANCES ARE + 0.125 [3.175] - 0.125 [-3.175]	CHECKED	R. Rubio		5/25/17	
	SCALE: 1:8	ENG APPR.	R. Rubio		5/25/17	
		MFG APPR.	C. Leal	5/25/17	SIZE DWG. NO. A Side Splash Stone Effect 18.125in x 3.5in	SHEET 1 OF 1 REV: 0