

Features

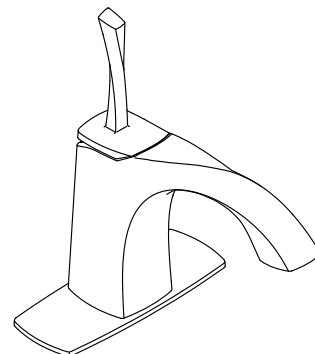
- Top-mounted joystick handle allows for both on/off actuation and temperature setting.
- Push joystick back to turn on; rock side to side for hot/cold.
- KOHLER® ceramic disc valves exceed industry longevity standards, ensuring durable performance for life.
- Aerator ensures a splash-free water flow.
- Includes plastic clicker drain with 1-1/4" metal tailpiece.
- 1.2 gpm (gallons per minute) maximum flow rate at 60 psi.
- Box includes: Assembled faucet, supply lines, escutcheon plate, drain.

Material

- Premium material construction for durability and reliability.
- KOHLER finishes featuring ScratchShield® technology withstand even the toughest daily use (Polished Chrome and Brushed Nickel finish only).
- Spot Repel™ finish resists fingerprints, smudges and water spots (Matte Black finish only).

Installation

- Single-hole or three-hole installation (escutcheon plate included).
- Simplified faucet assembly; mounting hardware requires no special tools.



ADA **CSA B651** **OBC**

Codes/Standards




ASME A112.18.1/CSA B125.1
 NSF/ANSI 61
 NSF/ANSI 372
 All applicable US Federal and State material regulations
 DOE - Energy Policy Act 1992
 EPA WaterSense®
 California Energy Commission (CEC)
 ADA
 ICC/ANSI A117.1
 CSA B651
 OBC

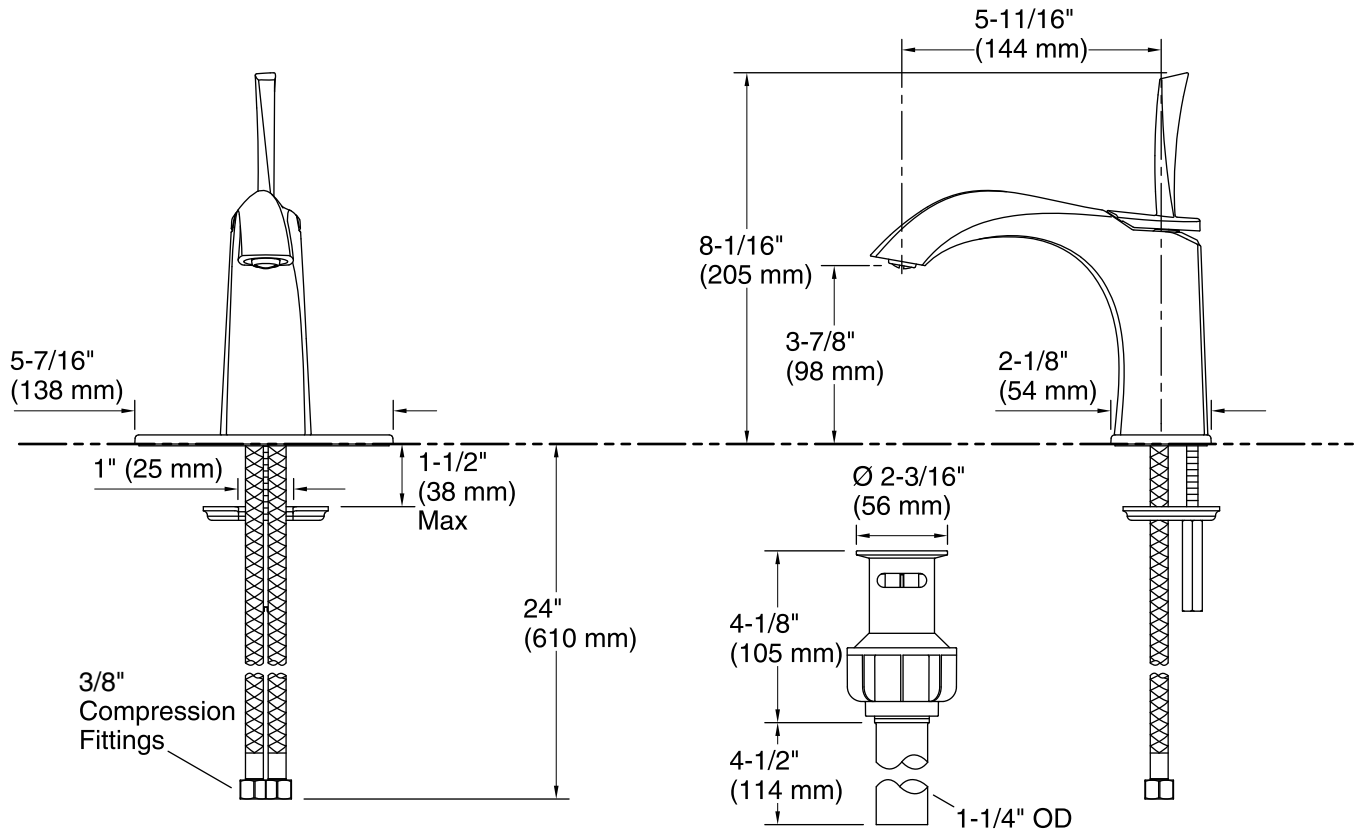
KOHLER® Faucet Lifetime Limited Warranty

See website for detailed warranty information.

Available Colors/Finishes

Color tiles intended for reference only.

Color	Code	Description
	CP	Polished Chrome
	BN	Vibrant® Brushed Nickel
	BL	Matte Black



Technical Information

All product dimensions are nominal.

Faucet:

Flow rate:	1.2 gal/min (4.5 l/min)
Pressure:	45 psi (3.1 bar)
Valve body:	Plastic
Drain included:	Yes
Drain with overflow:	Yes
Drain tailpiece included:	Yes

Spout:

Spout reach:	5-11/16" (145 mm)
Fixture pressure max (static):	125 psi (861.8 kPa)

Pressure and Supply Requirements

Fixture pressure min (static):	20 psi (137.9 kPa)
--------------------------------	--------------------

Fixture Supply Requirements

Min static pressure:	20 psi (137.9 kPa)
Max static pressure:	125 psi (861.8 kPa)

Notes

Install this product according to the installation instructions.

ADA, OBC, CSA B651 compliant when installed to the specific requirements of these regulations.