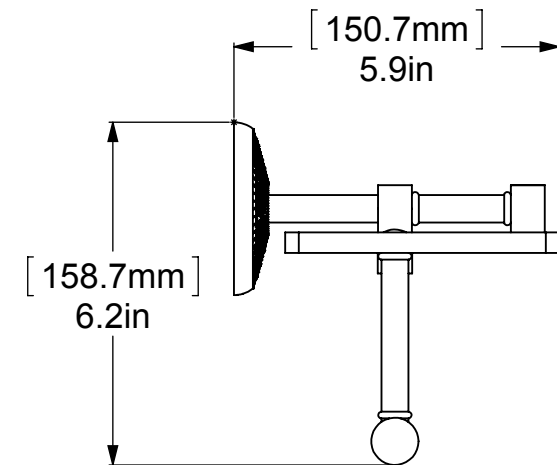
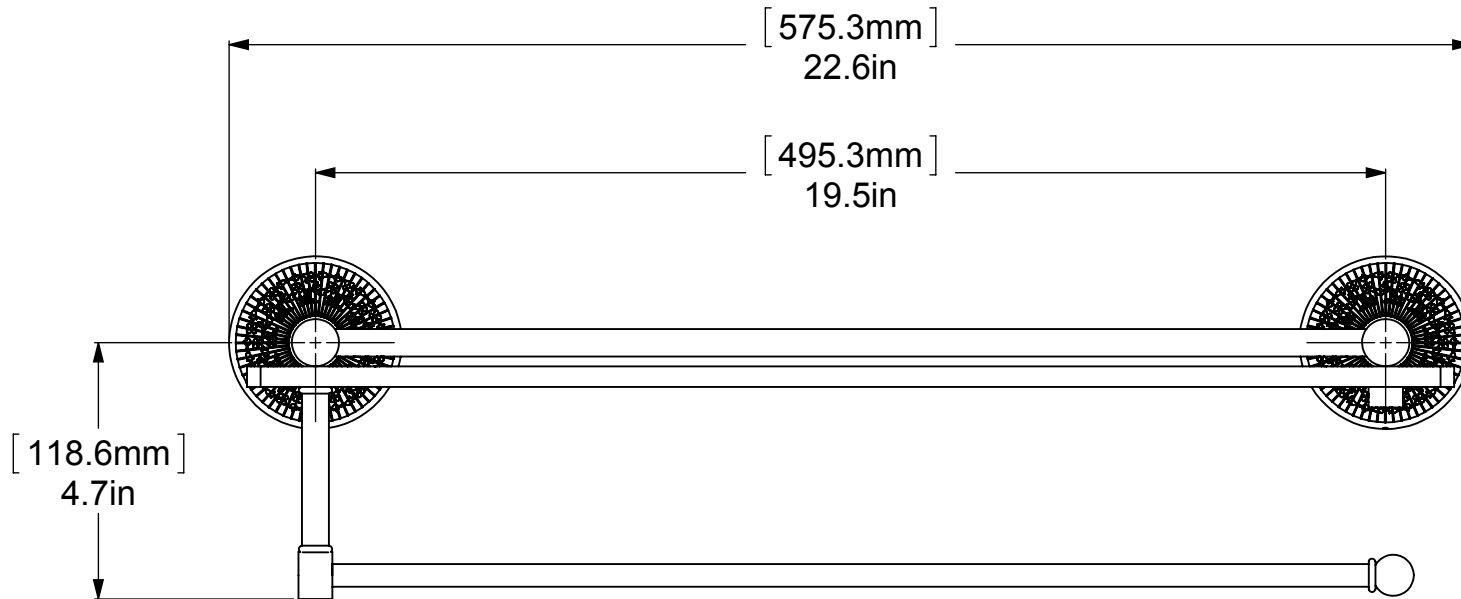
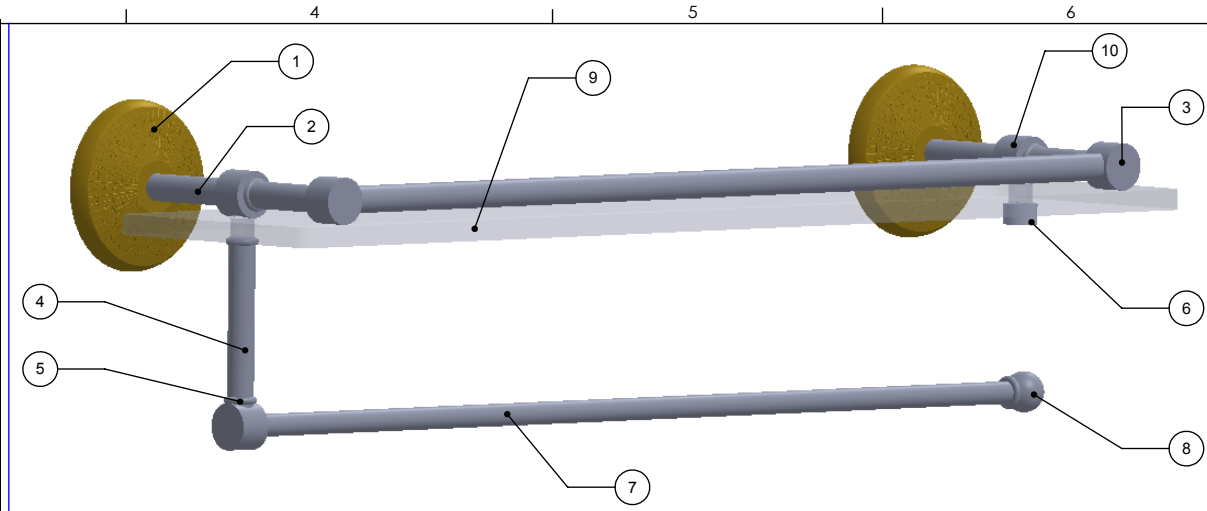


ITEM NO.	P/N	DESCRIPTION	QTY.
1	BPMC	BACKPLATE	2
2	TU12-2	TUBE SUPPORT TOP	2
3	HBBTT-78	HUB	3
4	TU12-3	VERTICAL TUBE	2
5	CRRD-12	CHECK RING	8
6	CARD-58	CAP	1
7	TU12-13.5	LOWER TUBE	2
8	BL1T-34	BALL	1
9	GLRT-22	GLASS	1
10	MR-TILT-FITT	HUB-CON	2



COPYRIGHT © Allied Brass 2015	DRAWN	11-19-15	I.M	MATERIAL:	FINISH	TBD
	CHECKED	11-19-15	P.D	DESCRIPTION:	QUANTITY	TBD
	APPROVED	11-19-15	R.A	PMC-1PT-22-GAL	DRAWING No.	REV
THIRD ANGLE PROJECTION						PMC-1PT-22-GAL 0
SCALE		1:3	SHEET: 01		A4	