



OPERATOR'S MANUAL

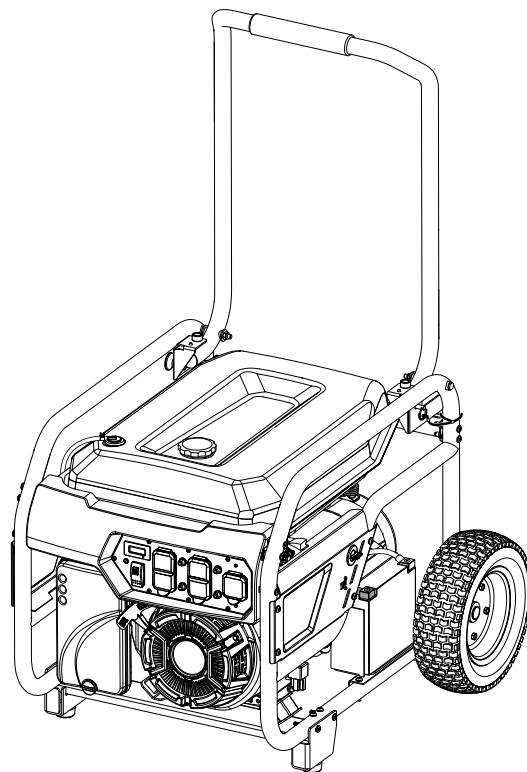
MANUEL D'UTILISATION
MANUAL DEL OPERADOR

7,000 WATT GENERATOR

GÉNÉRATRICE DE 7 000 WATTS

GENERADOR 7 000 WATTS

RY907000FI



NOTICE	AVIS	AVISO
<p>Do not use E15 or E85 fuel in this product. It is a violation of federal law and will damage the unit and void your warranty. Only use unleaded gasoline containing up to 10% ethanol.</p>		
<p>Ne pas utiliser d'essence E15 ou E85 dans ce produit. Une telle utilisation représente une violation de la loi fédérale et endommagera l'appareil et annulera la garantie. Utiliser seulement de l'essence sans plomb ne contenant pas plus de 10 % d'éthanol.</p>		
<p>No utilice combustibles E15 o E85 con este producto. Esto constituye una violación a la ley federal, dañará la unidad y anulará la garantía. Utilice únicamente gasolina sin plomo que contiene hasta 10% de etanol.</p>		



NEUTRAL BONDED TO FRAME
CONNECTEUR NEUTRE RELIÉ AU CADRE
PUNTO NEUTRO CONECTADO AL MARCO

TABLE OF CONTENTS

- Important Safety Instructions.....3-4
- Specific Safety Rules 4
- Symbols5-7
- Electrical8-9
- Features 10
- Assembly11-12
- Operation12-15
- Maintenance15-18
- Troubleshooting 19
- Parts Ordering / Service..... Back Page

TABLE DES MATIÈRES

- Instructions importantes concernant la sécurité3-4
- Règles de sécurité particulières 4
- Symboles5-7
- Caractéristiques électriques8-9
- Caractéristiques..... 10
- Assemblage11-12
- Utilisation13-16
- Entretien.....16-20
- Dépannage.....20
- Commande de pièces / réparation.....Page arrière

ÍNDICE DE CONTENIDO

- Instrucciones de seguridad importantes3-4
- Reglas de seguridad específicas 4
- Símbolos5-7
- Aspectos eléctricos8-9
- Características 10
- Armado11-12
- Funcionamiento13-16
- Mantenimiento16-20
- Corrección de problemas 20
- Pedidos de piezas/ servicio..... Pág. posterior

WARNING: To reduce the risk of injury, the user must read and understand the operator's manual before using this product.

AVERTISSEMENT : Pour réduire les risques de blessures, l'utilisateur doit lire et veiller à bien comprendre le manuel d'utilisation avant d'employer ce produit.

ADVERTENCIA: Para reducir el riesgo de lesiones, el usuario debe leer y comprender el manual del operador antes de usar este producto.

SAVE THIS MANUAL FOR FUTURE REFERENCE

CONSERVER CE MANUEL POUR FUTURE RÉFÉRENCE

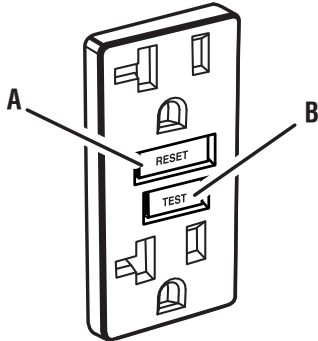
GUARDE ESTE MANUAL PARA FUTURAS CONSULTAS

See this fold-out section for all of the figures referenced in the operator's manual.

Consulter l'encart à volets afin d'examiner toutes les figures mentionnées dans le manuel d'utilisation.

Consulte esta sección desplegable para ver todas las figuras a las que se hace referencia en el manual del operador.

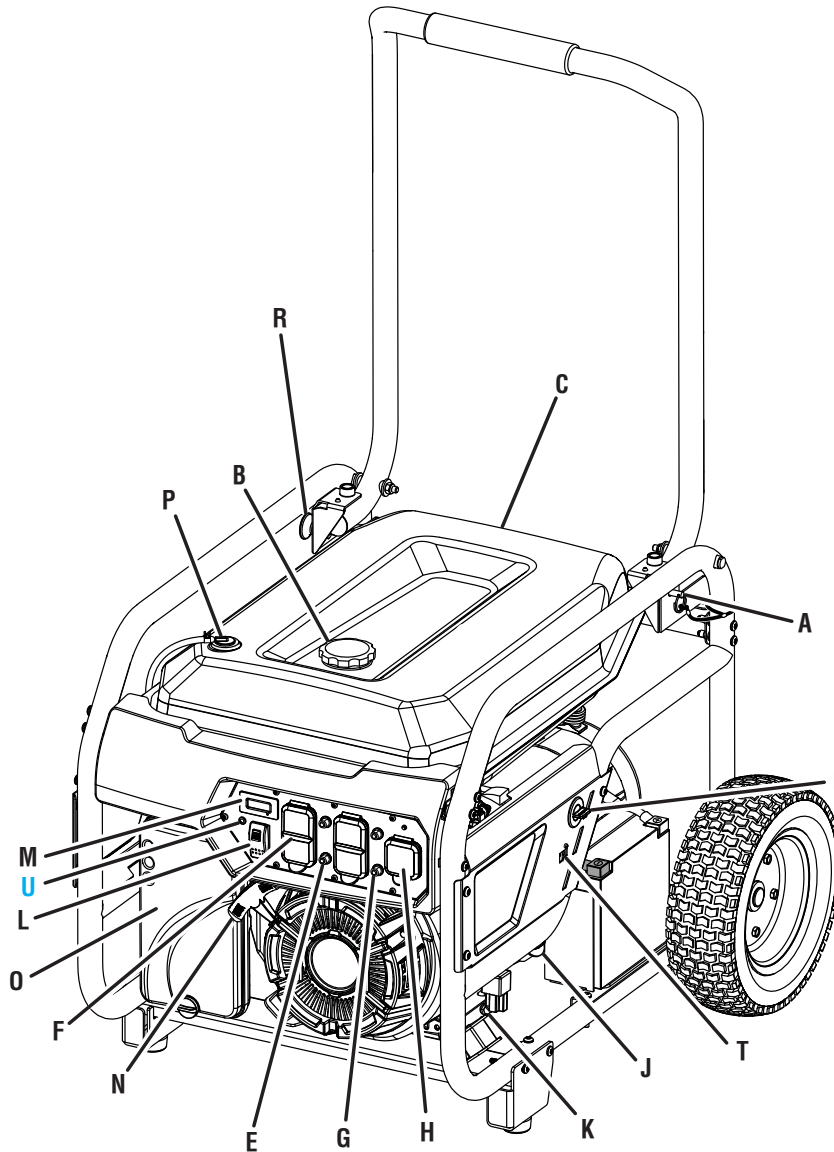
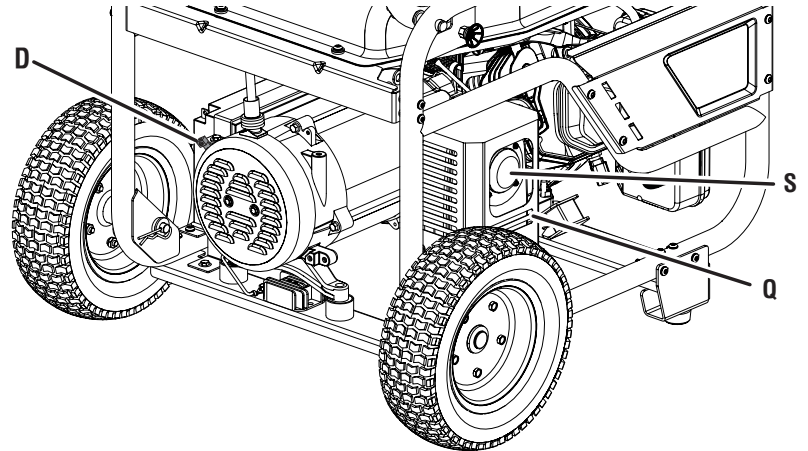
Fig. 1



A - Reset button (bouton réinitialiser, botón de reajuste)

B - Test button (bouton de test, botón de prueba)

Fig. 2



A - Handle lock pin (goupille de blocage de la poignée, pasador de seguro del mango)

B - Fuel cap (réservoir de carburant, tapa del tanque de combustible)

C - Fuel tank (réservoir de carburant, tanque de combustible)

D - Ground terminal (borne de terre, terminal de conexión a tierra)

E - 120 volt AC circuit breaker (disjoncteur de C.A. de 120 V, disyuntor de circuito de CA 120 V)

F - Two 120 volt AC duplex 20 amp GFCI protected receptacles (deux prise de courant double de fuite à la terre 120 V c.a. 20 A, dos receptáculo 120 V doble de 20 A con GFCI)

G - 240 volt AC circuit breaker (disjoncteur de C.A. de 240 V disyuntor de circuito de CA 240 V)

H - 120/240 volt AC 30 amp receptacle (réceptacle 120/240 volts, 30A; 120/240 V de CA 30 A receptáculos)

I - Fuel valve (robinet de carburant, válvula de combustible)

J - Oil cap/dipstick (bouchon/jauge d'huile, tapa de relleno de aceite/varilla medidora de aceite)

K - Oil drain plug (huiler le bouchon d'égout, tapón de drenaje del aceite)

L - Engine switch (commutateur de moteur, interruptor del motor)

M - Digital display (affichage numérique, pantalla digital)

N - Recoil starter grip (poignée du démarreur à rappel, mango del arrancador rétractil)

O - Air filter (filtre à air, filtro de aire)

P - Fuel tank vapor vent (évent de vapeur du réservoir de carburant, respirador del vapor del tanque de combustible)

Q - Muffler (silencieux, silenciador)

R - Handle release knob (bouton de verrouillage de la poignée, perilla de liberación del mango)

S - Spark screen (pare-étincelles, parachispas)

T - Battery maintainer outlet (mainteneur de pile, cargador de mantenimiento de batería)

U - Check engine indicator LED (témoin d'anomalie lumineux à DEL, verificación de la luz led indicadora DEL motor)

Fig. 3

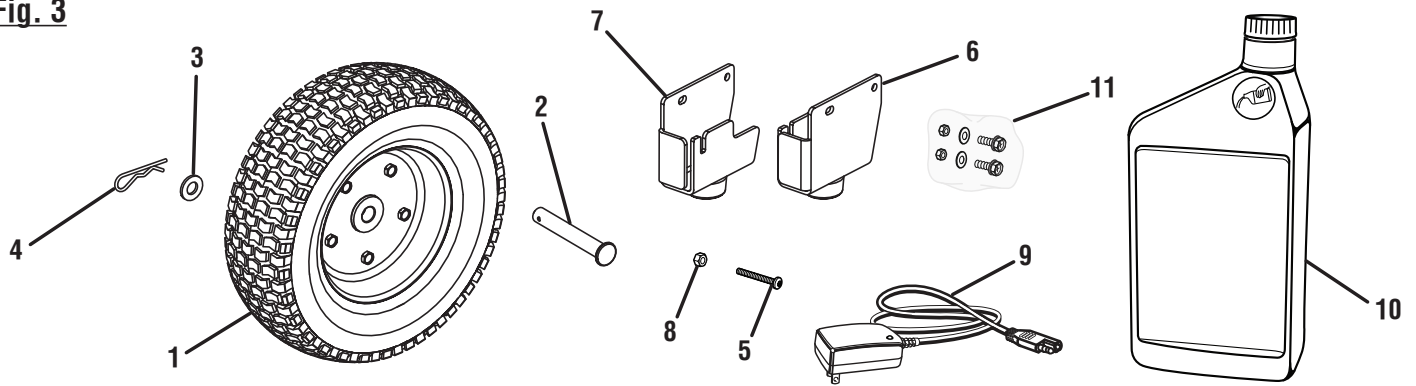
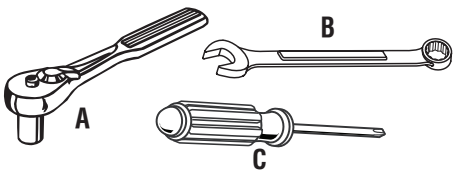
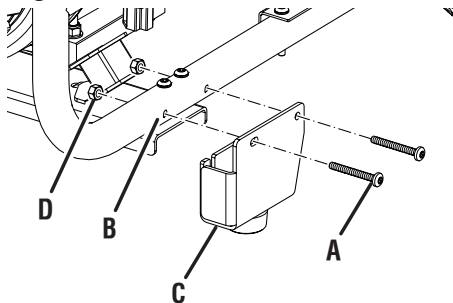


Fig. 4



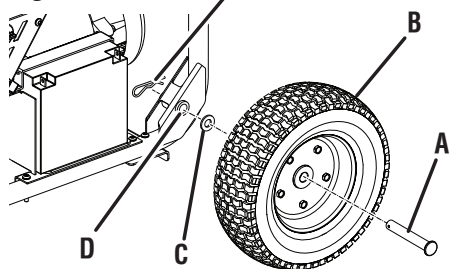
- A - Socket wrench (clé à douille, llave de casquillo)
- B - Combination wrench (clé à molette, llave de combinación)
- C - Phillips screwdriver (tournevis à pointe cruciforme, destornillador de cabeza Phillips)

Fig. 5



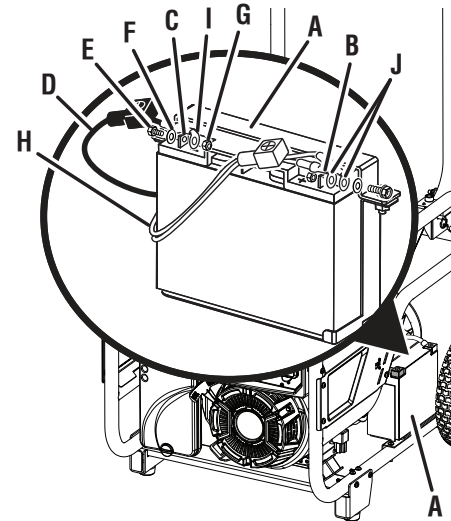
- A - Bolt (boulon, perno)
- B - Frame (renfort transversal, través del travesaño)
- C - Foot bracket (support de pied, soporte del pie)
- D - Lock nut (écrou frein, tuerca de bloqueo)

Fig. 6



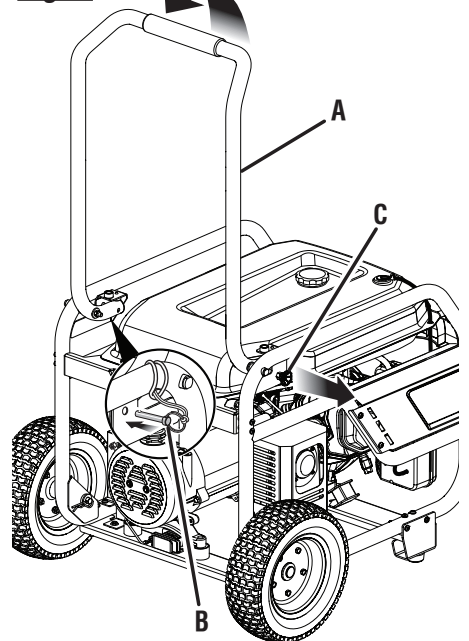
- A - Axle (essieu, eje)
- B - Wheel (roue, rueda)
- C - Washer (rondelle, arandela)
- D - Bracket (support, soporte)
- E - Hitch pin (goupille d'attelage, pasador del enganche)

Fig. 7



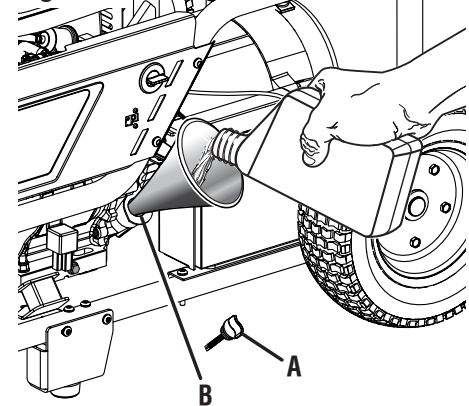
- A - Battery bracket (support de batterie, soporte de la batería)
- B - Positive (+) terminal [borne positive (+), tapa del terminal positiva (+)]
- C - Negative (-) terminal [borne négative (-), terminal negativa (-)]
- D - Black wire (-) [fil noir (-) cable negro (-)]
- E - Screw (vis, tornillo)
- F - Washer (rondelle, arandela)
- G - Nut (écrou, tuerca)
- H - Red wires (+) [fils rouge (+), cables rojo (+)]
- I - Negative terminal connection (borne négative, conexión de terminal negativa)
- J - Positive terminal connections (borne positive, conexiones de terminales positivas)

Fig. 8



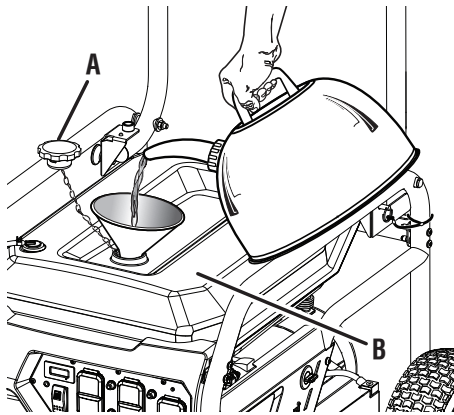
- A - Handle (poignée, mango)
- B - Handle lock pin (goupille de blocage de la poignée, pasador de seguro del mango)
- C - Handle release knob (bouton de verrouillage de la poignée, perilla de liberación del mango)

Fig. 9



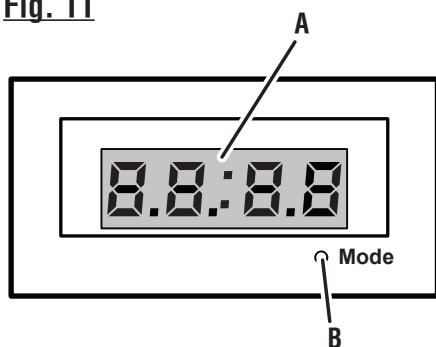
- A - Oil cap/dipstick (bouchon/jauge d'huile, tapa de relleno de aceite/varilla medidora de aceite)
- B - Oil fill hole (orifice de remplissage d'huile, agujero de llenado de aceite)

Fig. 10



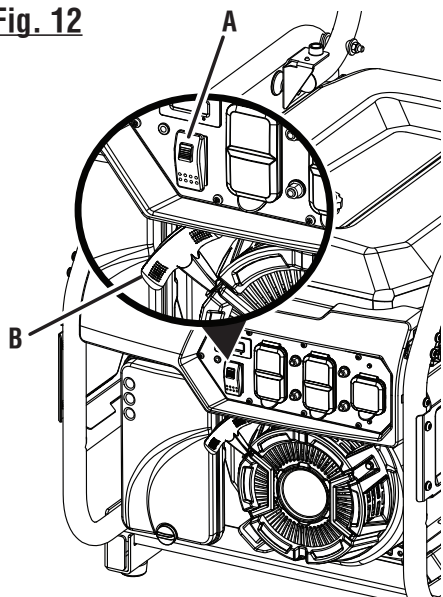
- A - Fuel cap (bouchon de carburant, tapa del tanque de combustible)
- B - Fuel tank (réservoir de carburant, tanque de combustible)

Fig. 11



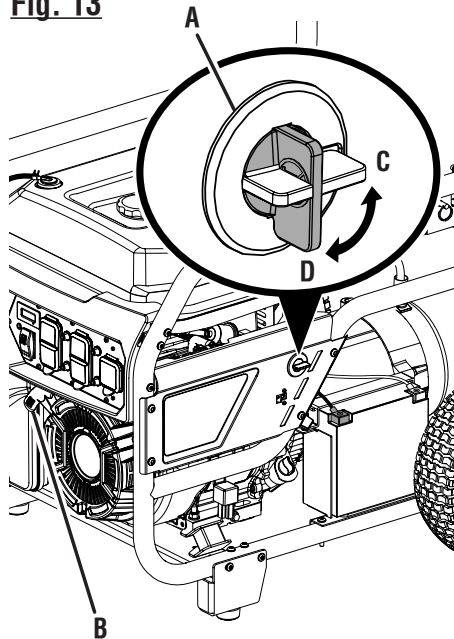
- A - Digital display (affichage numérique, pantalla digital)
- B - Mode button (bouton « mode », botón mode)

Fig. 12



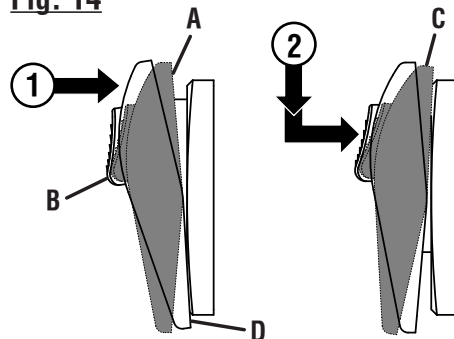
- A - Engine switch (commutateur de moteur, interruptor del motor)
- B - Recoil starter grip (poignée du démarreur à rappel, mango del arrancador retráctil)

Fig. 13



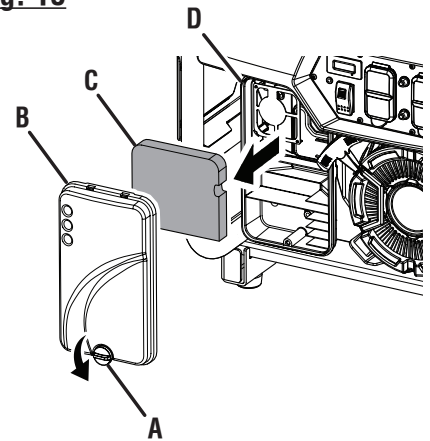
- A - Fuel valve (robinet de carburant, válvula de combustible)
- B - Recoil starter grip (poignée du démarreur à rappel, mango del arrancador retráctil)
- C - On (marche, encendido)
- D - Off (arrêt, apagado)

Fig. 14



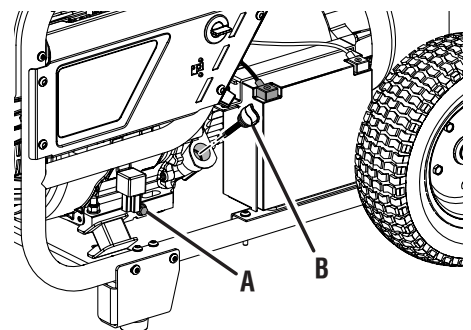
- A - Engine switch in ON position (le commutateur de moteur dans de la position MARCHÉ, coloque el interruptor del motor en la posición ENCENDIDO)
- B - Lock button (bouton de verrouillage, botón del seguro)
- C - Engine switch in START position (le commutateur de moteur dans de la position OUVERT, coloque el interruptor del motor en la posición de ARRANQUE)
- D - Engine switch in OFF position (le commutateur de moteur dans de la position ARRÊT, coloque el interruptor del motor en la posición del APAGADO)

Fig. 15



- A - Knob (bouton, perilla)
- B - Air filter cover (couverture du filtre à air, tapa del filtro de aire)
- C - Filter element (élément du filter, elemento de filtro)
- D - Air filter unit (unité de filtre à air, unidad del filtro de aire)

Fig. 16



- A - Oil drain plug (huiler le bouchon d'égout, tapón de drenaje del aceite)
- B - Oil cap/dipstick (bouchon / jauge d'huile, tapa de relleno de aceite/varilla medidora de aceite)

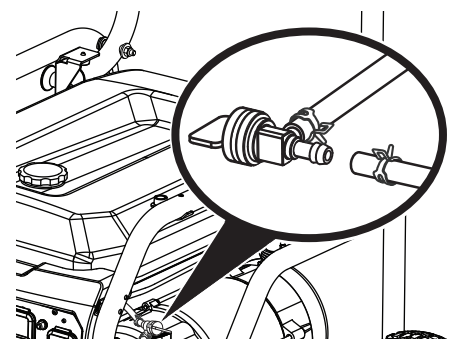
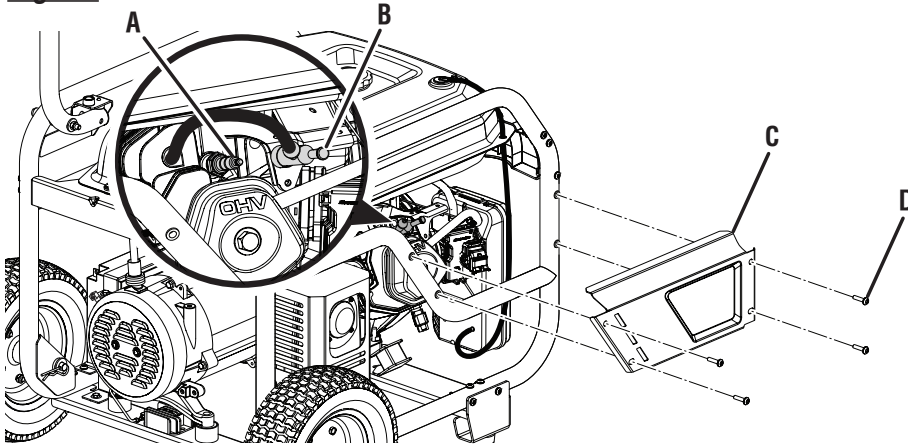


Fig. 17

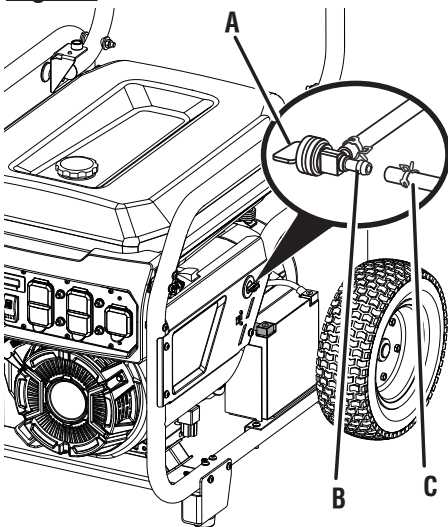


- A - Spark plug (bougie, bujía)
- B - Spark plug cap (capuchon de bougie, tapa de la bujía)
- C - Engine cover (couverture de moteur, cobertura de motor)
- D - Screws (vis, tornillos)

Fig. 18

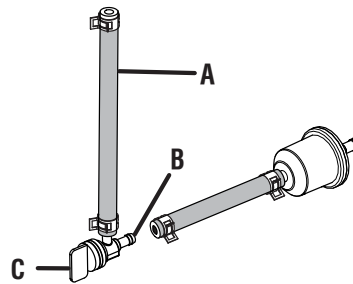


Fig. 19



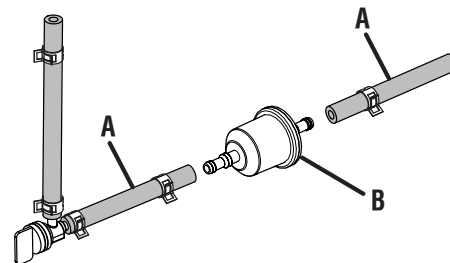
- A - Fuel valve (robinet de carburant, válvula de combustible)
- B - Hose barb (raccord à tuyau cannelé, conector de manguera dentada)
- C - Fuel line (conduite de carburant, conducto de combustible)

Fig. 20



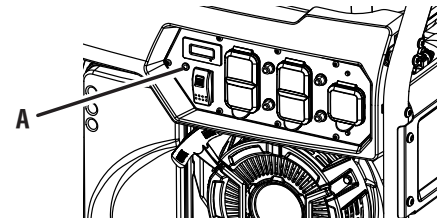
- A - Fuel line (conduite de carburant, conducto de combustible)
- B - Hose barb (raccord à tuyau cannelé, conector de manguera dentada)
- C - Fuel valve (robinet de carburant, válvula de combustible)

Fig. 21



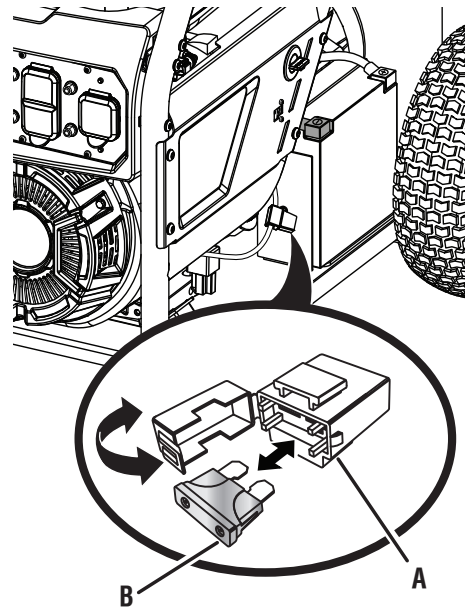
- A - Fuel line (conduite de carburant, conducto de combustible)
- B - Fuel filter (filtre de carburant, filtro de combustible)

Fig. 22



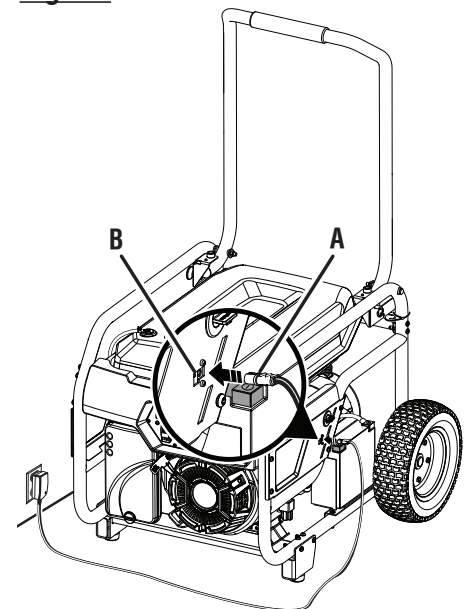
- A - Check engine indicator LED (témoin d'anomalie lumineux à DEL, verificación de la luz led indicadora DEL motor)

Fig. 23



- A - Fuse holder (porte-fusible, sujetador de la fusible)
- B - Fuse (fusible, fusible)

Fig. 24



- A - Battery maintainer charger (cargador mantenedor de la batería)
- B - Connection port (puerto de conexión)

To register your Ryobi product, please visit: www.ryobitools.com

LOCATE GENERATOR AT LEAST 20 FT.* AWAY TO REDUCE THE RISK OF CARBON MONOXIDE GETTING INSIDE THE HOME

* Minimum distance as recommended by U.S. Department of Health and Human Services Centers for Disease Control and Prevention (www.cdc.gov/co). Your specific home and/or wind conditions may require additional distance.



**KEEP AT LEAST
20 FT.* AWAY**

Only use **OUTSIDE** and **FAR AWAY** from windows, doors, and vents.



WARNING:

GROUNDING THE GENERATOR

If this generator will be used **only** with cord and plug-connected equipment, National Electric Code does not require that the unit be grounded. However, other methods of using the generator may require grounding to reduce the risk of shock or electrocution. Consult a qualified electrician, electrical inspector, or local agency having jurisdiction for local codes or ordinances to find out if grounding is needed in your situation before using the generator.

When grounding is required, the nut and ground terminal on the frame are used to connect the generator to a suitable ground source. The ground path should be made with #8 size wire. Connect the terminal of the ground wire between the lock washer and the nut, and tighten the nut fully. Connect the other end of the wire securely to a suitable ground source that is in contact with the soil for a minimum distance of 8 ft.

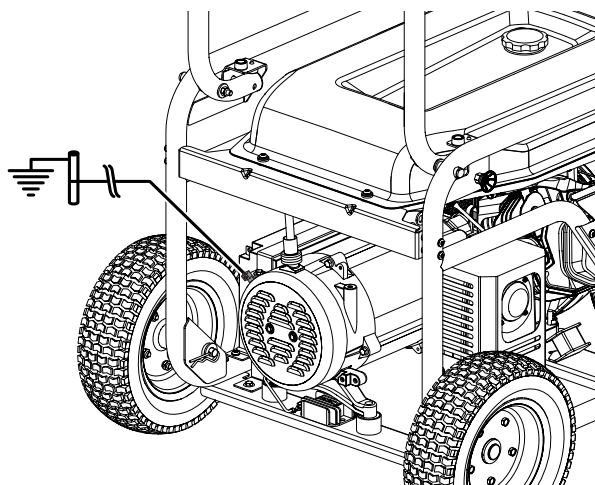
The National Electric Code contains several practical ways in which to establish a good ground source. If a steel or iron rod is used, it should be at least 5/8 in. diameter, and if a nonferrous rod is used, it should be at least 1/2 in. diameter and be listed as material for grounding. If a rock bottom is encountered before reaching a depth of 8 ft., drive the ground rod in at an angle of up to 45°. If the rock bottom is again encountered, the rod can be buried in a trench that is at least 30 in. deep. In all cases, the upper end of the grounding rod should either be flush with (or below) the ground or must be otherwise protected from physical damage.

All electrical tools and appliances operated from this generator must be properly grounded by use of a third wire or be "Double Insulated."

It is recommended to:

1. Use electrical devices with 3-prong grounded plugs.
2. Use an extension cord intended for outdoor use with a 3-pole receptacle and a 3-prong plug at opposite ends to ensure continuity of the ground protection from the generator to the appliance.

Check and adhere to all applicable federal, state, and local regulations relating to grounding specifications. Consult a qualified electrician or service personnel if the grounding instructions are not completely understood or if in doubt as to whether the generator is properly grounded.



IMPORTANT SAFETY INSTRUCTIONS

DANGER:

Carbon Monoxide. Using a generator indoors CAN KILL YOU IN MINUTES.

Generator exhaust contains high levels of carbon monoxide (CO), a poisonous gas you cannot see or smell. If you can smell the generator exhaust, you are breathing CO. But even if you cannot smell the exhaust, you could be breathing CO.

- Never use a generator inside homes, garages, crawl-spaces, or other partly enclosed areas. Deadly levels of carbon monoxide can build up in these areas. Using a fan or opening windows and doors does NOT supply enough fresh air.
- ONLY use a generator outdoors and far away from open windows, doors, and vents. These openings can pull in generator exhaust.

Even when you use a generator correctly, CO may leak into the home. ALWAYS use a battery-powered or battery-backup CO alarm in the home.

If you start to feel sick, dizzy, or weak after the generator has been running, move to fresh air RIGHT AWAY. See a doctor. You could have carbon monoxide poisoning.

WARNING:

Read and understand all instructions. Failure to follow all instructions listed below could result in electrocution, fire, and/or carbon monoxide poisoning, which can cause death or serious injury.

WARNING:

In some applications, National Electric Code requires generator to be grounded to an approved earth ground. Before using the ground terminal, consult a qualified electrician, electrical inspector, or local agency having jurisdiction for local codes or ordinances that apply to the intended use of the generator.

SAVE THESE INSTRUCTIONS

This manual contains important instructions that should be followed during installation and maintenance of the generator.

- Do not connect to a building's electrical system unless the generator and transfer switch have been properly installed and the electrical output has been verified by a qualified electrician. The connection must isolate the generator power from utility power and must comply with all applicable laws and electrical codes.
- Do not allow children or untrained individuals to use this unit.

- Do not start or operate the engine in a confined space, building, near open windows, or in other unventilated space where dangerous carbon monoxide fumes can collect. Carbon monoxide, a colorless, odorless, and extremely dangerous gas, can cause unconsciousness or death.
- Keep all bystanders, children, and pets at least 10 feet away.
- Wear sturdy and dry shoes or boots. Do not operate while barefoot.
- Do not operate generator when you are tired or under the influence of drugs, alcohol, or medication.
- Keep all parts of your body away from any moving parts and all hot surfaces of the unit.
- Do not touch bare wire or receptacles.
- Do not use generator with electrical cords which are worn, frayed, bare, or otherwise damaged.
- Before storing, allow the engine to cool for 30 minutes and drain fuel from the unit.
- Do not operate or store the generator in rain, snow, or wet weather.
- Store the generator in a well-ventilated area with the fuel tank empty. Fuel should not be stored near the generator.
- Empty fuel tank, close fuel valve, and restrain the unit from moving before transporting in a vehicle.
- Provide a plastic sheet or absorbent pad below the generator to catch any drips of fuel or lubricant when transporting.
- To reduce the risk of fire and burn injury, handle fuel with care. It is highly flammable.
- Do not smoke while handling fuel.
- Store fuel in a container approved for gasoline.
- Position the unit on level ground, stop engine, and allow to cool for five minutes before refueling.
- Loosen fuel cap slowly to release pressure and to keep fuel from escaping around the cap.
- Tighten the fuel cap securely after refueling.
- Wipe spilled fuel from the unit.
- Never attempt to burn off spilled fuel under any circumstances.
- Generators vibrate in normal use. During and after the use of the generator, inspect the generator as well as extension cords and power supply cords connected to it for damage resulting from vibration. Have damaged items repaired or replaced as necessary. Do not use plugs or cords that show signs of damage such as broken or cracked insulation or damaged blades.
- For power outages, permanently installed stationary generators are better suited for providing back-up power to the home. Even a properly connected portable generator can become overloaded. This may result in overheating or stressing the generator components, possibly leading to generator failure.

IMPORTANT SAFETY INSTRUCTIONS

- Use only recommended or equivalent replacement parts and accessories and follow instructions in the *Maintenance* section of this manual. Use of any other parts or failure to follow maintenance instructions may create a risk of shock or injury.
- Maintain the unit per maintenance instructions in this Operator's Manual.
- Inspect the unit before each use for loose fasteners, fuel leaks, etc. Replace damaged parts.

SPECIFIC SAFETY RULES



DANGER:

Risk of fire and serious burns: Never remove fuel cap when unit is running. Shut off engine and allow the unit to cool at least five minutes. Remove cap slowly.






WARNING:

When this generator is used to supply a building wiring system: generator must be installed by a qualified electrician and connected to a transfer switch as a separately derived system in accordance with NFPA 70, National Electrical Code. The generator shall be connected through a transfer switch that switches all conductors other than the equipment grounding conductor. The frame of the generator shall be connected to an approved grounding electrode. Failure to isolate the generator from power utility can result in death or injury to electric utility workers.











- Do not use this generator to provide power for emergency medical equipment or life support devices.
- This generator has a neutral bonded condition. This means the neutral conductor is electrically connected to the frame of the machine.
- Always use a battery-powered carbon monoxide detector when running the generator. If you begin to feel sick, dizzy, or weak while using the generator, shut it off and get to fresh air immediately. See a doctor. You may have carbon monoxide poisoning.
- Place the generator on a flat, stable surface with a slope of no more than 4°.
- Operate outdoors in a well-ventilated, well-lit area isolated from working areas to avoid noise interference.
- Operating the generator in wet conditions could result in electrocution. Keep the unit dry.
- Keep the generator a minimum of 3 feet away from all types of combustible material.
- Do not operate generator near hazardous material.
- Do not operate generator at a gas or natural gas filling station.
- Do not touch the muffler or cylinder during or immediately after use; they are HOT and will cause burn injury.
- Do not allow the generator's gas tank to overflow when filling. Fill to 1 in. below the top neck of the gasoline tank to allow for fuel expansion. Do not cover the fuel tank cap when the engine is running. Covering the fuel tank cap during use may cause engine failure and/or damage to the tool.
- Do not smoke when filling the generator with gasoline.
- Shut down the engine and allow to cool for five minutes before adding gasoline or lubricant to the generator.
- Do not remove the lubricant dipstick or the fuel tank cap when the engine is running.
- Pay close attention to all safety labels located on the generator.
- Keep children a minimum of 10 feet away from the generator at all times.
- The unit operates best in temperatures between 23°F and 104°F with a relative humidity of 90% or less.
- Operating voltage and frequency requirement of all electronic equipment should be checked prior to plugging them into this generator. Damage may result if the equipment is not designed to operate within a +/- 10% voltage variation, and +/- 3 hz frequency variation from the generator name plate ratings. To avoid damage, always have an additional load plugged into the generator if solid state equipment (such as a television set) is used. A power line conditioner is recommended for some solid state applications.
- When battery is not in use, keep it away from other metal objects like paper clips, coins, keys, nails, screws, or other small metal objects that can make a connection from one terminal to another. Shorting the battery terminals together may cause burns or a fire.
- For outdoor use only.
- Save these instructions. Refer to them frequently and use them to instruct others who may use this product. If you loan someone this product, loan them these instructions also.

SYMBOLS

The following signal words and meanings are intended to explain the levels of risk associated with this product.

SYMBOL	SIGNAL	MEANING
	DANGER:	Indicates a hazardous situation, which, if not avoided, will result in death or serious injury.
	WARNING:	Indicates a hazardous situation, which, if not avoided, could result in death or serious injury.
	CAUTION:	Indicates a hazardous situation, that, if not avoided, may result in minor or moderate injury.
	NOTICE:	(Without Safety Alert Symbol) Indicates information considered important, but not related to a potential injury (e.g. messages relating to property damage).

Some of the following symbols may be used on this product. Please study them and learn their meaning. Proper interpretation of these symbols will allow you to operate the product better and safer.

SYMBOL	NAME	DESIGNATION/EXPLANATION
	Safety Alert	Indicates a potential personal injury hazard.
	Read Operator's Manual	To reduce the risk of injury, user must read and understand operator's manual before using this product.
	Wet Conditions Alert	Do not expose to rain or use in damp locations.
	Electric Shock	Failure to use in dry conditions and to observe safe practices can result in electric shock.
	Toxic Fumes	Running generator gives off carbon monoxide, an odorless, colorless, poison gas. Breathing carbon monoxide can cause nausea, fainting, or death.
	Fire/Explosion	Fuel and its vapors are extremely flammable and explosive. Fire or explosion can cause severe burns or death.
	Hot Surface and Exhaust Gases	To reduce the risk of injury or damage, avoid contact with any hot surface and do not place any body parts in the path of hot exhaust gases.
	Lifting Hazard	To reduce the risk of serious injury, avoid attempting to lift the generator alone.
	Ground	Consult with local electrician to determine grounding requirements before operation.
	Recycle Symbol	This product uses lead acid (Pb) batteries. Local, state or federal laws may prohibit disposal of batteries in ordinary trash. Consult your local waste authority for information regarding available recycling and/or disposal options.

SYMBOLS

Some of the following symbols may be used on this product. Please study them and learn their meaning. Proper interpretation of these symbols will allow you to operate the product better and safer.

SYMBOL	NAME	DESIGNATION/EXPLANATION
V	Volts	Voltage
A	Amperes	Current
Hz	Hertz	Frequency (cycles per second)
W	Watt	Power
hrs	Hours	Time
gal	Gallon	Volume
qt	Quart	Volume


SAFETY LABELS

The information below can be found on the generator. For your safety, please study and understand all of the labels before starting the generator.

If any of the labels come off the unit or become hard to read, contact customer service or a qualified service center for replacement.

- You WILL be KILLED or SERIOUSLY HURT if you do not follow the Operator's Manual instructions.
- Risk of Fire. Do not add fuel while the product is operating.
- Generator is a potential source of electric shock. Do not expose to moisture, rain, or snow. Do not operate with wet hands or feet.
- Exhaust contains poisonous carbon monoxide gas that can cause unconsciousness or DEATH. Operate in well-ventilated, outdoor areas away from open windows or doors.


⚠ DANGER
⚠ DANGER
⚠ PELIGRO



You WILL be KILLED or SERIOUSLY HURT if you do not follow the Operator's Manual instructions.

Ne pas procéder de la manière décrite dans ce Manuel d'utilisation entraînera des BLESSURES GRAVES voire la MORT.


SE MATARÁ o LESIONARÁ GRAVEMENTE si no sigue las instrucciones del Manual del operador.



Exhaust contains poisonous carbon monoxide gas that can cause unconsciousness or DEATH. Operate in well ventilated, outdoor areas away from open windows or doors.

L'échappement contient le gaz monoxyde de carbone toxique qui peut causer l'inconscience ou la MORT. Fonctionner dans les secteurs bien ventilés et extérieurs loin d'ouvrir des fenêtres ou des portes.


El escape contiene gas venenoso de monóxido de carbono que puede causar pérdida del conocimiento o MUERTE. Opere en áreas exteriores bien ventiladas lejos de puertas o ventanas abiertas.



Risk of fire. Do not add fuel while the product is operating.

Risque d'incendie. Ne pas ajouter de carburant pendant l'utilisation de l'appareil.


Riesgo del incendio. No agregue combustible cuando el producto está funcionando.



Generator is a potential source of electric shock. Do not expose to moisture, rain, or snow. Do not operate with wet hands or feet.

Le générateur est une source potentielle de chocs électriques. Ne pas exposer à l'humidité, la pluie ou la neige. Ne pas utiliser avec les mains ou les pieds mouillés.

El generador es una fuente de descarga eléctrica. No lo exponga a humedad, la lluvia, ni a la nieve. No opere con manos o pies húmedos.



Do not expose to rain or use in damp locations.

Ne pas exposer à la pluie ou l'humidité.

No exponga a la lluvia ni use en lugares húmedos.


940654254-03

- Do not expose to rain or use in damp locations.
- Using a generator indoors CAN KILL YOU IN MINUTES. Generator exhaust contains carbon monoxide. This is a poison you cannot see or smell.
- NEVER use inside a home or garage, EVEN IF doors and windows are open.
- Only use OUTSIDE and far away from windows, doors, and vents.


⚠ DANGER
⚠ DANGER

Using a generator indoors CAN KILL YOU IN MINUTES. Generator exhaust contains carbon monoxide. This is a poison you cannot see or smell.

L'utilisation d'une génératrice à l'intérieur PEUT VOUS TUER EN QUELQUES MINUTES. Les génératrices produisent du monoxyde de carbone, un gaz mortel incolore et inodore. **NE JAMAIS** utiliser à l'intérieur d'une maison ou d'un garage, MÊME SI les portes et les fenêtres sont ouvertes. Utiliser uniquement À L'EXTÉRIEUR et loin des fenêtres, des portes et des événements.



NEVER use inside a home or garage, EVEN IF doors and windows are open.



Only use OUTSIDE and far away from windows, doors, and vents.

⚠ PELIGRO

Usar un generador en el interior PUEDE MATARLO EN POCOS MINUTOS. Los gases de escape del generador contienen monóxido de carbono. Es un veneno que no puede verse ni olerse. **NUNCA** lo use dentro de su hogar o del garaje, **INCLUSO** con las puertas y las ventanas abiertas. Sólo utilícelo **AL AIRE LIBRE** y lejos de ventanas, puertas y respiraderos.

SYMBOLS

FUEL CAP WARNING

Never remove fuel cap when unit is running. Shut off engine and allow the unit to cool at least five minutes. Remove cap slowly to release any pressure built up in the fuel system and to avoid the heat from the muffler igniting fuel vapors.



⚠ DANGER ⚠ PELIGRO

RISQUE D'INCENDIE ET DE BLESSURES GRAVES : Ne jamais retirer le capuchon du réservoir d'essence pendant que l'appareil fonctionne. Éteindre le moteur et laisser refroidir l'appareil pendant au moins cinq minutes. Retirer lentement le capuchon.

RIESGO DE INCENDIOS Y LESIONES POR QUEMADURAS: Nunca retire la tapa de combustible mientras esté encendida la unidad. Apague el motor y deje enfriar la unidad durante al menos cinco minutos. Retire la tapa lentamente.

UTILISEZ UN STABILISATEUR DE CARBURANT POUR LE STOCKAGE EL USO DEL ESTABILIZADOR DE COMBUSTIBLE PARA EL ALMACENAMIENTO

FUEL WARNING

No smoking when filling with gasoline. Do not overfill. Full level is 1 in. below the top of the fuel neck. Stop the engine for five minutes before refueling to avoid the heat from the muffler igniting fuel vapors.

ENGINE LUBRICANT WARNING

You must add lubricant before first operating the generator. Always check the lubricant level before each operation. The lubricant level should always register between the hatched areas on the dipstick. The unit is equipped with a sensor which will automatically shut off the engine if the lubricant level falls below a safe limit.

⚠ DANGER ⚠ DANGER ⚠ PELIGRO

Risk of Fire. Check for any fuel overflow or leaking. Stop the engine before refueling.

Risque d'incendie. Vérifier l'absence de débordement ou de fuite de carburant. Arrêter le moteur avant de faire le plein.

Riesgo de incendio. Revise si hay algún derrame o fuga de combustible. Apague el motor antes de poner combustible.

940974007-04

NOTICE AVIS AVISO

CHECK LUBRICANT

Add lubricant to full mark to start. Engine will not start or will shut off if sensor detects low lubricant level. • Ajouter de lubrifiant jusqu'au repère de remplissage pour démarrer. Le moteur ne démarre pas ou s'éteint si le capteur détecte le niveau de lubrifiant faible. • Añada lubricante hasta la marca de lleno para arrancar. El motor no arranca o se apaga si sensor detecta el nivel de lubricante de baja.

940708019-04

GROUNDING WARNING

This generator does not include a ground rod or copper wire. Call a qualified electrician for local grounding requirements.

⚠ WARNING ⚠ AVERTISSEMENT ⚠ ADVERTENCIA

Product does not include ground rod or copper wire. Call a qualified electrician for local grounding requirements.

Le produit ne comprend pas de piquet de terre ou de fil en cuivre. Appeler un électricien qualifié pour connaître les exigences locales de mise à la terre.

El producto no incluye el alambre de cobre ni la barra de conexión a tierra. Comuníquese con un electricista calificado para todo lo relacionado con los requisitos de conexión a tierra.

940513029-02

SPARK ARRESTOR

Operation of this equipment may create sparks that can start fires around dry vegetation. A spark arrestor may be required. The operator should contact local fire agencies for laws or regulations relating to fire prevention requirements.

HOT SURFACE WARNING

Do not touch the muffler or aluminum cylinder of the engine. They are very HOT and will cause severe burns. Don't put body parts or any flammable or combustible materials in the direct path of the exhaust.

CLEARANCE WARNING

While operating and storing, keep at least 3 feet of clearance on all sides of this product, including overhead. Allow a minimum of 30 minutes of "cool down" time before storage. Heat created by muffler and exhaust gases could be hot enough to cause serious burns and/or ignite combustible objects.

⚠ WARNING Operation of this equipment may create sparks that can start fires around dry vegetation. A spark arrestor may be required. The operator should contact local fire agencies for laws or regulations relating to fire prevention requirements.

⚠ AVERTISSEMENT L'utilisation de cet équipement peut créer des étincelles susceptibles d'enflammer la végétation sèche. Il peut être nécessaire d'utiliser un pare-étincelles. L'utilisateur doit communiquer avec le service local d'incendie pour connaître toutes les lois et tous les règlements portant sur les exigences en matière de prévention des incendies.

⚠ ADVERTENCIA El uso de este equipo puede producir chispas propensas a iniciar incendios cerca de vegetación seca. Es posible que se necesite un parachispas. El operador debe ponerse en contacto con las agencias contra incendios locales para conocer las leyes y regulaciones relacionadas con los requisitos de prevención de incendios.

940947003-03

⚠ WARNING ⚠ AVERTISSEMENT ⚠ ADVERTENCIA

HOT SURFACE AND EXHAUST SURFACE ET D'ÉCHAPPEMENT CHAUDS SUPERFICIE Y DE ESCAPE ESTEN CALIENTE

940680075-01

⚠ DANGER ⚠ DANGER ⚠ PELIGRO

Risk of Fire. Keep all objects at least 3 feet away from this machine. Heat from Muffler and Exhaust gases can ignite combustible objects.

Risque d'incendie. Éloigner tous les objets au moins de 91,4 cm (3 pi) de cet appareil. La chaleur du pot d'échappement et les gaz d'échappement peuvent enflammer les objets combustibles.

Riesgo de incendio. Mantener todos los objetos a una distancia mínima de 91,4 cm (3 pies) de esta máquina. El calor de los gases del silenciador y el escape pueden prender fuego a objetos combustibles.

940974009-04

ELECTRICAL

EXTENSION CORD CABLE SIZE

Refer to the table below to ensure the cable size of the extension cords you use are capable of carrying the required load. Inadequate size cables can cause a voltage drop, which can burn out the appliance and overheat the cord.

Current in Amperes	Load in Watts		Maximum Allowable Cord Length				
	At 120V	At 240V	#8 Wire	#10 Wire	#12 Wire	#14 Wire	#16 Wire
2.5	300	600		1000 ft.	600 ft.	375 ft.	250 ft.
5	600	1200		500 ft.	300 ft.	200 ft.	125 ft.
7.5	900	1800		350 ft.	200 ft.	125 ft.	100 ft.
10	1200	2400		250 ft.	150 ft.	100 ft.	50 ft.
15	1800	3600		150 ft.	100 ft.	65 ft.	
20	2400	4800	175 ft.	125 ft.	75 ft.		
25	3000	6000	150 ft.	100 ft.			
30	3600	7200	125 ft.	65 ft.			
40	4800	9600	90 ft.				

ELECTRIC MOTOR LOADS

It is characteristic of common electric motors in normal operation to draw up to six times their running current while starting. This table may be used to estimate the watts required to start electric motors; however, if an electric motor fails to start or reach running speed, turn off the appliance or tool immediately to avoid equipment damage. Always check the requirements of the tool or appliance being used compared to the rated output of the generator.

Motor Size (H.P.)	Running Watts	Watts Required to Start Motor		
		Universal	Capacitor	Split Phase
1/8	275	N/A	850	1200
1/6	275	600	850	2050
1/4	400	800	1050	2400
1/3	450	950	1350	2700
1/2	600	1000	1800	3600
3/4	850	1200	2600	—
1	1100	N/A	3300	—

NOTICE:

Operating voltage and frequency requirement of all electronic equipment should be checked prior to plugging them into this generator. Damage may result if the equipment is not designed to operate within a +/- 10% voltage variation, and +/- 3 hz frequency variation from the generator name plate ratings. To avoid damage, always have an additional load plugged into the generator if solid state equipment (such as a television set) is used. A power line conditioner is recommended for some solid state applications.

GROUND FAULT CIRCUIT INTERRUPTER

See Figure 1.

The 20 amp, 120 volt receptacles on the generator are protected by a Ground Fault Circuit Interrupter (GFCI),

which guards against the hazards of ground fault currents. An example of ground fault current is the current that would flow through a person who is using an appliance with faulty insulation and, at the same time, is in contact with an electrical ground such as a plumbing fixture, wet floor, or earth.

GFCI receptacles do not protect against short circuits, overloads, or shocks.

The GFCI receptacles can be tested with the TEST and RESET buttons.

To test:

- Depress the TEST button. This should cause the Reset button to pop out.
- To restore power, depress the RESET button.

Perform this test monthly to ensure proper operation of the GFCI. If the generator is stored outdoors, unprotected from the weather, test the GFCI receptacle before each use.

ELECTRICAL

GENERATOR CAPACITY

Make sure the generator can supply enough continuous (running) and surge (starting) watts for the items you will power at the same time. Follow these simple steps.

1. Select the items you will power at the same time.
2. Total the continuous (running) watts of these items. This is the amount of power the generator must produce to keep the items running. See the wattage reference chart at right.
3. Estimate how many surge (starting) watts you will need. Surge wattage is the short burst of power needed to start electric motor-driven tools or appliances such as a circular saw or refrigerator. Because not all motors start at the same time, total surge watts can be estimated by adding only the item(s) with the highest additional surge watts to the total rated watts from step 2.

Example:

Tool or Appliance	Running Watts*	Starting Watts*
Window AC, 10,000 BTU	1200	1800
Refrigerator	700	2200
1/3 HP Well Pump	1000	2000
27 in. Television	500	0
Light (75 Watts)	75	0
	3475 Total Running Watts	2200 Highest Starting Watts
	Total Running Watts	3475
	Highest Starting Watts	+ 2200
	Total Starting Watts Needed	5675

NOTICE:

Do not overload the generator's capacity. Exceeding the generator's wattage/amperage capacity may damage the generator and/or electrical devices connected to it.

Application/Equipment	Estimated Running Watts*	Estimated Starting Watts*
Emergency / Home Standby		
Clock Radio	50	0
Lights (qty. 4 x 75 W)	300	0
Refrigerator	700	2200
Furnace Fan	800	2350
Water Well Pump	1000	1500
Microwave	1000	1000
Sump Pump	1050	2200
Electric Range (per element)	2100	0
Job Site		
Electric Drill – 1/2 HP	600	900
Airless Sprayer – 1/3 HP	600	1200
Quartz Halogen Work Light	1000	1000
Reciprocating Saw	960	1920
Air Compressor – 1 HP	1600	4500
Circular Saw – 7-1/4 in.	1400	2300
Planer/Jointer – 6 in	1800	1800
Miter Saw – 10 in.	1800	1800
Table Saw/Radial Arm Saw – 10 in.	2000	2000

*Wattages listed are approximate. Check tool or appliance for actual wattage.

POWER MANAGEMENT

To prolong the life of the generator and attached devices, it is important to take care when adding electrical loads to the generator. There should be nothing connected to the generator outlets before starting its engine. The correct and safe way to manage generator power is to sequentially add loads as follows:

1. With nothing connected to the generator, start the engine as described later in this manual.
2. Plug in and turn on the first load, preferably the largest load you have.
3. Permit the generator output to stabilize (engine runs smoothly and attached device operates properly).
4. Plug in and turn on the next load.
5. Again, permit the generator to stabilize.
6. Repeat steps 4 and 5 for each additional load.

Never add more loads than the generator capacity. Take special care to consider surge loads in generator capacity as previously described.

FEATURES

PRODUCT SPECIFICATIONS

ENGINE

Engine Type	420cc, EFI
Spark Plug	F6RTC or equivalent
Fuel Volume	6 gal.
Lubricant Fill Volume	approx. 32 oz.

*Rated output determined by PGMA Standard G300

GENERATOR

Rated Voltage	120 V/240 V
Rated Amps.....	58.3 A/29.1 A
Rated Output*	7000 W
Starting Watts.....	8750 W
Rated Frequency	60 Hz

KNOW YOUR GENERATOR

See Figure 2.

The safe use of this product requires an understanding of the information on the product and in this operator's manual as well as a knowledge of the project you are attempting. Before use of this product, familiarize yourself with all operating features and safety rules.

AC CIRCUIT BREAKERS

The circuit breakers are provided to protect the generator against electrical overload. The circuit breaker may be reset by pressing the circuit breaker reset button.

AIR FILTER

The air filter helps to limit the amount of dirt and dust drawn into the unit during operation.

BATTERY CHARGING FUSE

The battery charge circuit fuse protects the battery.

BATTERY MAINTAINER

Using the battery maintainer when storing the generator helps keep your generator's battery charged and ready at all times.

CHECK ENGINE INDICATOR LIGHT

The LED indicator light in the control panel will illuminate to indicate a fault in the engine's fuel injection system. Please contact customer service or a qualified service center for assistance.

DIGITAL DISPLAY

The digital display shows AC voltage output, frequency, how long the engine has been running during the current usage period, and the total number of hours the unit has been used.

ENGINE SWITCH

The engine switch is used alone or in combination with the recoil starter grip to start the engine. It is also used to turn the engine off.

FUEL TANK

The fuel tank has a capacity of 6 gallons.

FUEL VALVE

Fuel flow from the fuel tank to the engine is turned on and off using the fuel valve.

GROUND TERMINAL

The ground terminal is used to assist in properly grounding the generator to help protect against electrical shock. Consult with a qualified local electrician for grounding requirements in your area.

LOW OIL SHUT DOWN PROTECTOR

The low oil sensor causes the engine to stop if the level of lubricant in the crankcase is insufficient.

OIL CAP/DIPSTICK

Remove the oil fill cap to check and add lubricant to the generator when necessary.

OIL DRAIN PLUG

When changing the engine lubricant, unscrew and remove the oil drain plug to allow old engine lubricant to be drained.

RECEPTACLES

Your generator has the following single phase, 60 Hz outlets: two 120 Volt AC duplex 20 Amp GFCI protected receptacles, and one 240 Volt AC, 30 Amp receptacle. These can be used for operating appropriate appliances, electrical lighting, tools, and motor loads.

RECOIL STARTER GRIP

The recoil starter grip is used (along with the engine switch) to start the generator's engine.

ASSEMBLY

UNPACKING

This product requires assembly.

- Carefully cut the box down the sides then remove the machine and any accessories from the box. Make sure that all items listed in the loose parts list are included.

NOTE: This machine is heavy and requires a minimum of two people to lift. To avoid back injury, lift with your legs and not your back.

WARNING:

Do not use this product if any parts in the Loose Parts List are already assembled to your product when you unpack it. Parts on this list are not assembled to the product by the manufacturer and require customer installation. Use of a product that may have been improperly assembled could result in serious personal injury.

- Inspect the unit carefully to make sure no damage occurred during shipping.
- Do not discard the packing material until you have carefully inspected and satisfactorily operated the product.
- If any parts are damaged or missing, please call 1-800-860-4050 for assistance.

WARNING:

If any parts are damaged or missing do not operate this product until the parts are replaced. Use of this product with damaged or missing parts could result in serious personal injury.

WARNING:

Do not attempt to modify this product or create accessories not recommended for use with this product. Any such alteration or modification is misuse and could result in a hazardous condition leading to possible serious personal injury.

WARNING:

Do not attempt to operate the generator until assembly is complete. Failure to comply could result in possible serious personal injury.

LOOSE PARTS LIST

See Figure 3.

The following items are included with the generator:

Key		
No.	Description	Qty.
1	Wheel.....	2
2	Axle.....	2
3	Washer.....	2
4	Hitch Pin.....	2
5	Bolt.....	4
6	Right Foot Bracket.....	1
7	Left Foot Bracket.....	1
8	Lock Nut.....	4
9	Battery Maintainer.....	1
10	Engine Lubricant.....	1
11	Battery Hardware Kit.....	1
	Operator's Manual (not shown).....	1

TOOLS NEEDED

See Figure 4.

The following tools (not included or drawn to scale) are needed for assembly:

- Socket Wrenches and/or Combination Wrenches
- Philips Screwdriver

NOTE: Do not put fuel or lubricant in the generator before installing the feet, frame support, wheels and handle.

INSTALLING THE FEET

See Figure 5.

- Locate the following items:
 - Right foot bracket
 - Left foot bracket
 - 4 lock nuts
 - 4 bolts
- Insert bolts through the right foot bracket and holes in the generator frame as shown.
- Thread lock nuts onto bolts and tighten one full turn past snug.

NOTE: Be careful not to overtighten so that foot material collapses.

- Repeat with the left foot.

ASSEMBLY

INSTALLING THE WHEELS

See Figure 6.

Wheels are provided to assist in moving the generator to the desired location and should be installed on the same side as the handle.

- Locate the following items:
 - 2 axles
 - 2 hitch pins
 - 2 washers
 - 2 wheels
- Raise the end of the generator where the handle is located high enough to gain access to the frame bottom; securely position props underneath to support.
- Slide the axle through the hole in the center of the wheel.
- Slide a washer onto the axle, then slide the axle into the wheel mounting hole as shown.
- Insert hitch pin to secure.

NOTE: The hitch pin should be pushed into the axle until the center of the pin rests on top of the axle.
- Repeat with the second wheel.

CONNECTING/DISCONNECTING BATTERY

See Figure 7.

WARNING:

To reduce the risk of electrocution or explosion, do not short circuit the battery terminals or charge in a sealed container. Keep sparks and flame away.

WARNING:

Keep metal objects away from the battery terminals. Metal objects can make a connection from one terminal to another. Shorting the battery terminals together can cause sparks, burns, or a fire.

NOTICE:

The battery may require charging before the generator can be started using either the engine switch or the recoil starter. Once the generator is started, the battery will charge as the unit runs.

The battery cables must be connected before the generator can be operated.

To connect battery cables:

- Connect the red wires to the positive (+) terminal first, then connect the black wire to the negative (-) terminal. Make sure all connections are tight.

NOTE: Be careful not to short across the terminals when installing. Shorting the terminals together can cause sparks, damage to the battery or generator, or even burns or explosions.

- Cover the terminals with the rubber covers.

When removing the battery for replacement: disconnect the negative (black) post, then the positive (red) post, being careful not to short across the terminals. Always abide by the safety warnings provided with the battery. Remove the battery and dispose of according to local and state regulations.

OPERATION

DANGER:

Carbon Monoxide. Using a generator indoors CAN KILL YOU IN MINUTES.

Generator exhaust contains high levels of carbon monoxide (CO), a poisonous gas you cannot see or smell. If you can smell the generator exhaust, you are breathing CO. But even if you cannot smell the exhaust, you could be breathing CO.

- Never use a generator inside homes, garages, crawlspaces, or other partly enclosed areas. Deadly levels of carbon monoxide can build up in these areas. Using a fan or opening windows and doors does NOT supply enough fresh air.
- ONLY use a generator outdoors and far away from open windows, doors, and vents. These openings can pull in generator exhaust.

Even when you use a generator correctly, CO may leak into the home. ALWAYS use a battery-powered or battery-backup CO alarm in the home.

If you start to feel sick, dizzy, or weak after the generator has been running, move to fresh air RIGHT AWAY. See a doctor. You could have carbon monoxide poisoning.

OPERATION

WARNING:

If this generator will be used **only** with cord and plug-connected equipment, National Electric Code does not require that the unit be grounded. However, other methods of using the generator may require grounding to reduce the risk of shock or electrocution. Consult a qualified electrician, electrical inspector, or local agency having jurisdiction for local codes or ordinances to find out if grounding is needed in your situation before using the generator.

WARNING:

Do not allow familiarity with this product to make you careless. Remember that a careless fraction of a second is sufficient to inflict serious injury.

WARNING:

Do not use any attachments or accessories not recommended by the manufacturer of this product. The use of attachments or accessories not recommended can result in serious personal injury.

NOTICE:

This product is equipped with a spark arrestor that has been evaluated by the USDA Forest Service; however, product users must comply with Federal, State, and local fire prevention regulations. Check with appropriate authorities. Contact customer service or a qualified service center to purchase a replacement spark arrestor.

NOTICE:

Before each use, inspect the entire product for damaged, missing, or loose parts such as screws, nuts, bolts, caps, etc. Tighten securely all fasteners and caps and do not operate this product until all missing or damaged parts are replaced. Please contact customer service or a qualified service center for assistance.

APPLICATIONS

This generator is designed to supply electrical power for operating compatible electrical lighting, appliances, tools, and motor loads.

BEFORE OPERATING THE UNIT

- Only use **OUTSIDE** and at least 20 feet away from windows, doors, and vents as recommended by the U.S. Department of Health and Human Services Centers for Disease Control and Prevention. Your specific home and/or wind conditions may require additional distance.

- NEVER use inside a home or garage, **EVEN IF** doors and windows are open.
- Always position the generator on a flat firm surface.

SPECIAL REQUIREMENTS:

There may be General or State Occupational Safety and Health Administration (OSHA) regulations, local codes or ordinances that apply to the intended use of the generator. Please consult a qualified electrician, electrical inspector, or the local agency having jurisdiction:

- In some areas, generators are required to be registered with local utility companies.
- If the generator is used at a construction site, there may be additional regulations which must be observed.

RAISING AND LOWERING THE HANDLE

See Figure 8.

- To raise the handle (for moving the generator): pull the handle release knob out, raise the handle, then release the knob so it snaps into the locking position. Insert the handle lock pin to secure the handle in place.
- To lower the handle (for storing or transporting the generator): remove the handle lock pin, then pull the handle release knob out and lower the handle to the down position.

Never use the handle to lift the generator. The handle should only be used for moving the unit by rolling it on its wheels.

CHECKING/ADDING LUBRICANT

See Figure 9.

NOTICE:

Attempting to start the engine before it has been properly filled with lubricant will result in equipment failure.

NOTE: If a separate engine manual is provided for this product, please follow the instructions provided in the engine manual instead of the information listed below.

Engine lubricant has a major influence on engine performance and service life. For general, all-temperature use, SAE 10W-30 full synthetic is recommended. Always use a 4-stroke motor lubricant that meets or exceeds the requirements for API service classification SJ.

This engine comes with a feature that will shut off the engine when a specific lubricant level is not maintained. The engine will not restart until an appropriate lubricant level is reached.

NOTE: Non-detergent or 2-stroke engine lubricants will damage the engine and should not be used.

- Unscrew the oil cap/dipstick and remove.
- Wipe dipstick clean and re-seat in hole; do not re-thread.
- Remove dipstick again and check lubricant level. Lubricant level should fall between the hatched areas on the dipstick.

OPERATION

- If level is low, add engine lubricant until the fluid level rises to the upper portion of the dipstick.
- Replace and secure the oil cap/dipstick.

USING FUEL STABILIZER

Fuel gets old, oxidizes, and breaks down over time. Adding a fuel stabilizer (not included) extends the usable life of fuel and helps prevent deposits from forming that can clog the fuel system. Follow fuel stabilizer manufacturer's directions for correct ratio of stabilizer to fuel.

- Mix fuel stabilizer and gasoline prior to filling the tank by using a gas can or other approved fuel container and shaking gently to combine.

NOTE: To control the amount of fuel stabilizer being added to the engine, always mix fuel stabilizer with gasoline before fueling the tank rather than adding fuel stabilizer directly into the generator's fuel tank.

- Replace and secure the fuel tank cap.
- Start and run the engine for at least 5 minutes to allow stabilizer to treat the entire fuel system.

ETHANOL-BLENDED FUELS

NOTICE:

Do not use E15 or E85 fuel in this product. It is a violation of federal law and will damage the unit and void your warranty. Only use unleaded gasoline containing up to 10% ethanol.

ADDING FUEL

See Figure 10.



DANGER:

Risk of fire and serious burns: Never remove fuel cap when unit is running. Shut off engine and allow the unit to cool at least five minutes. Remove cap slowly.



WARNING:

Gasoline and its vapors are highly flammable and explosive. To prevent serious personal injury and property damage, handle gasoline with care. Keep away from ignition sources, handle outdoors only, do not smoke while adding fuel, and wipe up spills immediately.

When adding gas to the generator, make sure the unit is sitting on a flat, level surface. If the engine is hot, let the generator cool for five minutes before adding gas. ALWAYS fill the fuel tank outdoors with the machine turned off.

- Turn the fuel valve to the **OFF (O)** position.
- Remove the fuel cap slowly.
- Fill the fuel tank to 1 in. below the top of the fuel neck.
- Replace and secure the fuel cap.



WARNING:

Always shut off engine before fueling. Never remove fuel cap or add fuel to a machine with a running or hot engine. Make sure the unit is sitting on a flat, level surface and only add fuel outdoors. If the engine is hot, let the unit cool for at least five minutes before adding fuel. After fueling, immediately replace fuel cap and tighten securely. Move at least 30 ft. from refueling site before starting engine. Do not smoke and stay away from open flames and sparks! Failure to follow these instructions could result in a fire and cause serious personal injury.

NOTE: Always use unleaded gasoline with a pump octane rating of 86 or higher. Never use old, stale, or contaminated gasoline, and do not use a lubricant/gas mixture. Do not allow dirt or water into the fuel tank. **Do not use E85 fuel.**

DIGITAL DISPLAY

See Figure 11.

Press and release the mode button to cycle through the following displays:

Voltage (V) displays the operating voltage of the generator.

Frequency (F) displays the frequency in hertz at which the generator is running.

The **Run/Maintenance Timer** displays the amount of time the generator has run since being started. This timer resets each time the generator is shut off.

When a cumulative run time of 25 hours has been reached, P25 will display on the meter as a reminder to change the engine lubricant after the initial 25 hours of run time.

When a cumulative time of 50 hours is reached, P50 will display on the meter to remind you to clean the air filter.

When a cumulative time of 100 hours is reached, P100 will display on the meter to remind you to change/clean the fuel filter, clean the air filter, and change the engine lubricant.

ELECTRIC START

This generator model is provided with both electric start and recoil start capabilities. Avoid prolonged cranking, as it can damage the engine.

The battery provided is a nominal 12 volt sealed rechargeable lead-acid battery and can be operated in any position without leakage. It complies with non-spillable battery regulations.

NOTE: Brand new generators are shipped with the battery connections disconnected. The positive and negative terminals must be connected to the battery before the Electric Start feature will work.

For initial battery connection, see **Connecting/Disconnecting Battery**.

OPERATION

STARTING THE ENGINE

See Figures 12 - 14.

NOTICE:

On a level surface with the engine off, check the lubricant level before each use of the generator.

NOTE: If location of generator is not level, the unit may not start or may shut down during operation.

This generator is equipped with electronic fuel injection. Starting the generator will require a brief wait to allow the fuel to travel from the tank.

- Unplug all loads from the generator.
- Turn the fuel valve to the **ON (I)** position.
- To start the engine using the electric start:
 - ① Put the engine switch in the **ON** position.
 - ② Wait 30 seconds to allow fuel to travel through the line.

NOTE: The engine will not start until the fuel has reached the fuel injector and the proper operating pressure is achieved.
 - ③ Slide down and hold the lock button while pushing the engine switch to the **START** position.

NOTE: The battery may require charging before the generator can be started using either the engine switch or the recoil starter. Once the generator is started, the battery will charge as the unit runs. If the engine switch will not start the unit once the battery has been fully charged, check the circuit protector fuse and replace if needed following instructions in **Changing Engine Battery Charge Circuit Fuse** in the *Maintenance* section of this manual.

- To start the engine using the recoil starter:
 - ① Put the engine switch in the **ON** position.
 - ② Wait 30 seconds to allow fuel to travel through the line.

NOTE: The engine will not start until the fuel has reached the fuel injector and the proper operating pressure is achieved.
 - ③ Pull the recoil starter grip until the engine runs.

NOTE: Do not allow the grip to snap back after starting; return it gently to its original place.

STOPPING THE ENGINE

See Figures 13 and 14.

To stop the engine under normal operating conditions:

- Remove any load from the generator.
- Push in at the bottom of the switch to place the engine switch in the **OFF (O)** position.
- Turn the fuel valve to the **OFF (O)** position.

To stop the engine in an emergency situation:

- Push in at the bottom of the switch to place the engine switch in the **OFF (O)** position.



WARNING:

While operating and storing, keep at least 3 feet of clearance on all sides of this product, including overhead. Allow a minimum of 30 minutes of “cool down” time before storage. Heat created by muffler and exhaust gases could be hot enough to cause serious burns and/or ignite combustible objects.

MAINTENANCE

Normal maintenance, replacement or repair of emission control devices and systems may be performed by any qualified repair establishment or individual with original or equivalent parts. Warranty and recall repairs must be performed by an authorized service center; please contact customer service for assistance.



WARNING:

Before inspecting, cleaning, or servicing the machine, shut off engine, wait for all moving parts to stop, and disconnect spark plug wire and move it away from spark plug. Allow 30 minutes of cool down time before performing any maintenance. Failure to follow these instructions can result in serious personal injury or property damage.



WARNING:

When servicing, use only recommended or equivalent replacement parts. Service or maintenance performed by unqualified personnel or use of any other parts could result in a personal injury hazard or property damage.

NOTICE:

Periodically inspect the entire product for damaged, missing, or loose parts such as screws, nuts, bolts, caps, etc. Tighten securely all fasteners and caps and do not operate this product until all missing or damaged parts are replaced. Please contact customer service or a qualified service center for assistance.

MAINTENANCE

GENERAL MAINTENANCE

Keep the generator in a clean and dry environment where it is not exposed to dust, dirt, moisture, or corrosive vapors. Do not allow the cooling air slots in the generator to become clogged with foreign material such as leaves, etc.

Do not use a garden hose to clean the generator. Water entering the fuel system or other internal parts of the unit can cause problems that will decrease the life of the generator.

To clean the unit:

- Use a soft bristle brush and/or vacuum cleaner to loosen and remove dirt and debris.
- Clean air vents with low pressure air that does not exceed 25 psi.
- Wipe the exterior surfaces of the generator with a damp cloth.

CHECKING/CLEANING AIR FILTER

See Figure 15.

For proper performance and long life, keep air filter clean.

- Turn the knob on the bottom of air the filter cover to release. Remove cover and set aside.
- Remove the filter element.
- If the filter element is dirty, clean with warm, soapy water. Rinse and let dry.
- Apply a light coat of engine lubricant to the element, then squeeze it out.
- Replace the element in the air filter unit.
- Replace the air filter cover and latch to secure.

NOTE: Do not run the generator without the air filter. Rapid engine wear will result.

CHANGING ENGINE LUBRICANT

See Figure 16.

- Remove the oil cap/dipstick.
- Place a container underneath the oil drain plug to collect used lubricant as it drains.
- Unscrew the oil drain plug and remove.
- Allow lubricant to drain completely.

NOTE: Drain the lubricant while the engine is still warm but not hot. Warm lubricant will drain quickly and more completely.

WARNING:

Do not change engine lubricant while it is hot. Accidental contact with hot engine lubricant could result in serious burns.

- Reinstall the oil drain plug and tighten securely.
- Refill with lubricant following the instructions in the **Checking/Adding Lubricant** section. For amount of lubricant needed to refill, see **Product Specifications** earlier in this manual or the accompanying engine manual, if applicable.

- Reinstall the oil cap/dipstick.

NOTE: Used lubricant should be disposed of at an approved disposal site. See your local oil retailer for more information.

SPARK PLUG MAINTENANCE

See Figure 17.

The spark plug must be properly gapped and free of deposits in order to ensure proper engine operation. To check:

- Locate and remove four screws on the side of the engine cover. Remove cover and set aside.
 - Remove the spark plug cap.
 - Clean any dirt from around base of spark plug.
 - Remove spark plug using wrench (not included).
 - Inspect spark plug for damage, and clean with a wire brush before reinstalling. If insulator is cracked or chipped, spark plug should be replaced. For replacement spark plug, see **Product Specifications** earlier in this manual or the accompanying engine manual, if applicable.
 - Measure plug gap. The correct gap is 0.028–0.031 in. (0.7–0.8 mm). To widen gap, if necessary, carefully bend the ground (top) electrode. To lessen gap, gently tap ground electrode on a hard surface.
 - Seat spark plug in position; thread in by hand to prevent cross-threading.
 - Tighten with wrench to compress washer. If spark plug is new, use 1/2 turn to compress washer appropriate amount. If reusing old spark plug, use 1/8 to 1/4 turn for proper washer compression.
- NOTE:** An improperly tightened spark plug will become very hot and could damage the engine.
- Reinstall the spark plug cap.
 - Reinstall the engine cover. Tighten screws to secure.

CLEANING THE EXHAUST PORT AND MUFFLER

Depending on the type of fuel used, the type and amount of lubricant used, and/or your operating conditions, the exhaust port and muffler may become blocked with carbon deposits. If you notice a power loss with your gas-powered products, you may need to remove these deposits to restore performance. We highly recommend that only qualified service technicians perform this service.

SPARK ARRESTOR

See Figure 18.

NOTICE:

This product is equipped with a spark arrestor that has been evaluated by the USDA Forest Service; however, product users must comply with Federal, State, and local fire prevention regulations. Check with appropriate authorities. Contact customer service or a qualified service center to purchase a replacement spark arrestor.

MAINTENANCE

- Inspect the spark arrestor for breaks or holes. Clean or replace if necessary.
- Use a brush (not provided) to remove carbon deposits from the spark arrestor screen as needed.

DRAINING FUEL TANK

See Figures 19 - 20.

To help prevent gum deposits in the fuel system, drain the fuel from the tank before storing.

- Turn the engine switch **OFF (O)**.
- Turn the fuel valve to the **OFF (O)** position.
- Remove the fuel line from the hose barb by squeezing the end of the retaining clip and sliding the fuel line off.
- Place the fuel line with fuel valve in a fuel container large enough to catch the fuel being drained from the tank.
- Turn the fuel valve to the **ON (I)** position.
- When the fuel has drained from the tank, close the fuel valve and reinstall fuel line securely on hose barb.

REPLACING FUEL FILTER

See Figure 21.

Occasionally the fuel filter may become clogged and need to be replaced. To purchase a replacement fuel filter, contact customer service or a qualified service center.

NOTE: Fuel tank must be empty before replacing fuel filter. Run unit until tank is empty, if needed, or inspect filter prior to fill-up.

To replace:

- Turn the fuel valve to the **OFF (O)** position.
- Drain the fuel tank completely.
- Remove both fuel lines from the old fuel filter by squeezing the ends of the retaining clips and sliding the fuel lines off.
- Reinstall fuel lines to the new fuel filter.
- Pull on lines to make sure they are secured
- Turn the fuel valve to the **ON (I)** position.

TRANSPORTING

- Turn the engine switch **OFF (O)**.
- Disconnect any equipment that is plugged into the generator.
- Verify the fuel valve is in the **OFF (O)** position.
- Allow 30 minutes of “cool down” time before storing the machine. Make sure engine and exhaust of unit are cool.
- For security, insert the pins to secure the handles before transporting.
- Tilt the machine toward you until it balances on the wheels, then roll the machine to the desired location.
- If transporting in a vehicle, drain the fuel tank, close fuel valve, and securely restrain the generator.
- Provide a plastic sheet or absorbent pad below the generator to catch any drips of fuel or lubricant.

CHECK ENGINE INDICATOR LIGHT

See Figure 22.

The LED indicator light in the control panel will illuminate to indicate a fault in the engine’s fuel injection system. Please contact customer service or a qualified service center for assistance.

CHANGING ENGINE BATTERY CHARGE CIRCUIT FUSE

See Figure 23.

NOTICE:

Do not use a higher rated fuse other than the specified amperage. This could cause damage to the product.

- Open the fuse holder.
- Remove the old fuse by pulling straight out.
- Insert new 7 amp ATO blade-type fuse.
- Close cover.

USING THE BATTERY MAINTAINER

See Figure 24.

When storing the generator, the battery maintainer can be connected to keep the battery fully charged and ready for use.

NOTE: The battery maintainer provided should only be used with the 12V 15AH/ 20 HR lead acid battery model RT12150 supplied with this generator.

- Connect the battery maintainer to the power supply. Make sure the power supply is normal household voltage, 120 volts, AC only, 60 Hz.
- Attach the other end of the battery maintainer to the charging cable attached to the battery. The red light on the plug will illuminate to show the battery is charging. The battery will become slightly warm to the touch while charging. This is normal and does not indicate a problem. When battery is fully charged, the red light will turn green.
- **NOTE:** If the light does not illuminate, the fuse on the charging cable may need to be replaced. Check the fuse and replace if needed.
- Disconnect the battery maintainer before operating the generator. Place the cover on the charging cable when not in use.

BATTERY REMOVAL AND PREPARATION FOR RECYCLING



To preserve natural resources, please recycle or dispose of batteries properly.

This product uses lead acid batteries. Local, state or federal laws may prohibit disposal of batteries in ordinary trash.

Consult your local waste authority for information regarding available recycling and/or disposal options.



WARNING:

Upon removal, cover the battery’s terminals with heavy-duty adhesive tape. Do not attempt to destroy or disassemble battery or remove any of its components. Lead acid batteries must be recycled or disposed of properly. Also, never touch both terminals with metal objects and/or body parts as short circuit may result. Keep away from children. Failure to comply with these warnings could result in fire and/or serious injury.

MAINTENANCE

STORAGE

When preparing the generator for storage, allow the unit to cool for 30 minutes then follow the guidelines below.

STORAGE TIME	PRIOR TO STORING
Less than 2 months	<ul style="list-style-type: none"> ■ Drain gasoline from tank and dispose of in a suitable container according to state and local ordinances.
2 months to 1 year	<ul style="list-style-type: none"> ■ Drain gasoline from tank and dispose of in a suitable container according to state and local ordinances.
1 year or more	<ul style="list-style-type: none"> ■ Remove spark plug. ■ Drain gasoline from tank and dispose of in a suitable container according to state and local ordinances. ■ Put a tablespoon of engine lubricant into the spark plug cylinder. Turn the engine slowly with the pull rope to distribute the lubricant. ■ Reinstall spark plug. ■ Change engine lubricant. <p>After removal from storage:</p> <ul style="list-style-type: none"> ■ Fill with fresh gasoline.

NOTE: If storing gasoline in suitable container for later use, make sure gasoline has been treated with fuel stabilizer according to stabilizer manufacturer's instructions.

MAINTENANCE SCHEDULE

NOTE: If a separate engine manual is provided for this generator, please follow the maintenance schedule provided in the engine manual instead of the maintenance information listed below.

	Before each use	After 1st month or 25 hours of operation	Every 100 hours of operation	Every 200 hours of operation	Every 240 hours of operation	Every 300 hours of operation	Every 400 hours of operation	Every 480 hours of operation	Every 500 hours of operation
Check Engine Lubricant	■								
Change Engine Lubricant ²		■	■	■	■	■	■	■	■
Check Air Filter	■								
Change Air Filter ²					■			■	
Check/Adjust Spark Plug			■	■		■	■		
Replace Spark Plug ²					■			■	
Check/Clean Spark Screen			■						
Check/Adjust Idle Speed		■			■			■	
Check/Adjust Valve Clearance ^{1,2}					■			■	
Check/Adjust Head Bolt Torque ^{1,2}					■			■	
Fuel Filter	Inspect					Replace			
Recharge Battery (if equipped)			■						

1. These items should only be carried out by a qualified service center.

2. See engine manual for maintenance schedule for this item.

NOTE: Maintenance should be performed more frequently when generator is used in dusty areas.

When generator has exceeded the maximum figures specified in the table, maintenance should still be cycled according to the intervals of time or hours stated herein.

TROUBLESHOOTING

PROBLEM	POSSIBLE CAUSE	SOLUTION
Engine will not start.	Battery not charged. Check engine indicator light is on. Engine switch is OFF. No fuel. Stale gasoline or water in gasoline. Lubricant level is low. Fuel valve is OFF. Spark plug faulty, fouled, or improperly gapped. Engine stored without treating or draining gasoline, or refueled with bad gasoline. Dirty fuel filter.	Charge battery. Contact a qualified service center. Turn engine switch to ON. Fill fuel tank. Drain entire system and refill with fresh fuel. Engine is equipped with Low Oil Shutoff. If engine lubricant level is low, it must be filled before unit will start. Check engine lubricant level and fill, if necessary. Turn fuel valve ON. Replace spark plug. Drain fuel. Refuel with fresh gasoline. Replace fuel filter or contact a qualified service center.
Engine hard to start.	Water in gasoline. Weak spark at spark plug.	Drain entire system and refill with fresh fuel. Replace spark plug or contact a qualified service center.
Engine lacks power.	Dirty air filter. Check engine indicator light is on. Engine stored without treating or draining gasoline, or refueled with bad gasoline.	Check air filter element. Clean or replace as needed. Contact a qualified service center. Drain fuel. Refuel with fresh gasoline. If problem continues, contact a qualified service center.
Electric start feature not working.	Battery wires are disconnected. Battery is not charged. Engine battery charge circuit fuse is blown.	Connect the battery wires. Charge the battery. Replace the engine battery charge circuit fuse.
AC receptacle does not work.	Circuit breaker is tripped. GFCI is tripped. Item plugged in is defective.	Reset the AC circuit breaker. Reset the GFCI. Try a different item.
Generator makes a “spark knock” or “pinging” noise.	An occasional light “knocking” or “pinging” under heavy load is not a cause for concern. However, if the knocking or pinging occurs under normal load at a steady engine speed, the problem may be with the brand of gasoline being used.	Switch to a different brand of gasoline, making sure that the octane rating is 86 or higher. If problem continues, contact a qualified service center.

If problem persists after trying the above solutions, contact customer service or a qualified service center for assistance.

NOTICE:

As the equipment owner, you are responsible for the performance of the required maintenance listed in the *Maintenance* section. It is recommended that you retain all receipts covering maintenance on your equipment. Neglecting or failing to perform the required maintenance may increase emissions, decrease fuel efficiency, degrade performance, cause irreversible engine damage and/or void your warranty.

This product has a Three-year Limited Warranty for personal, family, or household use (90 days for business or commercial use). For warranty details, visit www.ryobitools.com or call (toll free) 1-800-860-4050.

Pour enregistrer votre produit de Ryobi, s'il vous plaît la visite : www.ryobitools.com

INSTALLER ET ÉLOIGNER LA GÉNÉRATRICE D'AU MOINS 6 M (20 PI)* AFIN DE RÉDUIRE LE RISQUE D'INFILTRATION DE MONOXYDE DE CARBONE À L'INTÉRIEUR DE LA MAISON

* Distance minimale recommandée par le Service de santé et les Centres pour le contrôle et la prévention des maladies américains (www.cdc.gov/co). Le type de maison et les conditions du vent peuvent exiger une distance plus grande.



← **GARDER À UNE DISTANCE D'AU MOINS 6 M (20 PI) *** →

Utiliser seulement **À L'EXTÉRIEUR** et **TRÈS LOIN** de toutes fenêtres, portes ou bouches d'aération.



Détecteur de monoxyde de carbone dans les pièces habitables

AVERTISSEMENT :

MISE À LA TERRE DU GÉNÉRATRICE

Le Code national de l'électricité n'exige pas que cette génératrice soit mise à la terre si elle est utilisée **uniquement** avec un équipement à cordon ou à connecteur mâle. Cependant, les autres méthodes utilisées avec cette génératrice nécessitent une mise à la terre afin de réduire le risque de décharge électrique et d'électrocution. Consulter un électricien qualifié, un inspecteur en électricité ou l'organisme local gérant les règlements locaux ou les lois afin de connaître les exigences de mise à la terre selon votre situation avant d'utiliser la génératrice.

Lorsque la mise à la terre est exigée, l'écrou et la borne de terre sur le cadre sont utilisés pour connecter la génératrice à une source de terre adaptée. Le cheminement de la mise à la terre doit se faire avec un fil de calibre 8. Raccorder la borne du fil de terre entre la rondelle frein et l'écrou, puis serrer fermement l'écrou. Raccorder et immobiliser fermement l'autre extrémité du fil à une source de terre en contact avec le sol à une distance d'au moins 2,4 m (8 pi).

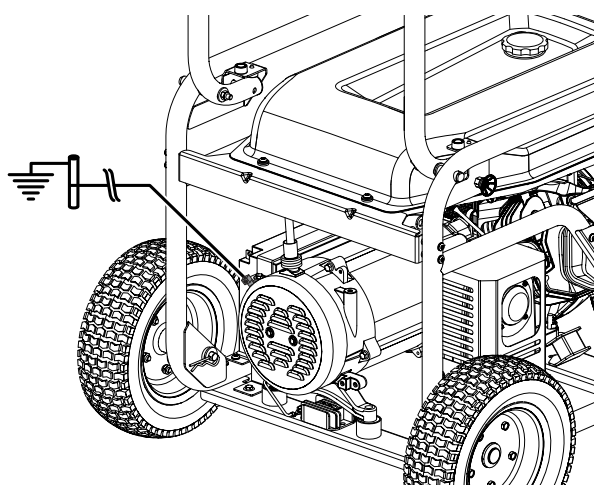
Le code électrique américain contient diverses façons pratiques permettant d'établir une bonne source de terre. Si une tige en fer ou en acier est utilisée, elle doit être d'au moins 15 mm (5/8 po) et si une tige non ferreuse est utilisée, elle doit avoir un diamètre d'au moins 12,5 mm (1/2 po) et être faite d'un matériau indiqué pour la mise à la terre. Si un fond rocailleux se présente avant d'avoir atteint la profondeur de 2,4 m (8 pi), enfoncer le piquet de prise de terre à un angle de 45°. Si un nouveau fond rocailleux se présente à nouveau, le piquet peut être enfoui dans une tranchée d'au moins 76,2 cm (30 po) de profondeur. Dans tous les cas, le haut et le bas du piquet de prise de terre doit être à niveau (ou sous) le sol ou protégé de quelconque manière contre le bris physique.

Tous les outils et les appareils électriques utilisés à l'aide de ce génératrice doivent être correctement mis à la terre par l'intermédiaire d'un troisième fil ou être doublement isolés.

Il est recommandé :

1. D'utiliser des appareils électriques avec prises de terre à trois fiches.
2. D'utiliser un cordon prolongateur conçus pour l'extérieur avec prise à 3 pôles et une fiche à 3 broches aux extrémités opposées pour assurer la continuité de la protection de mise à la terre du génératrice à l'appareil.

Consulter et respecter tous les règlements nationaux et locaux applicables concernant les spécifications de mise à la terre. Consulter un électricien qualifié ou le personnel de service si les instructions de mise à la terre ne sont pas bien comprises, ou en cas de doute au sujet de la mise à la terre.



INSTRUCTIONS IMPORTANTES CONCERNANT LA SÉCURITÉ



DANGER :

Monoxyde de Carbone. Utiliser une génératrice à l'intérieur d'un bâtiment CAUSERA LA MORT EN QUELQUES MINUTES.

Le tuyau d'échappement de la génératrice contient un niveau élevé de monoxyde de carbone (CO), lequel s'avère être un gaz poison inodore et invisible. Si vous pouvez sentir les gaz du tuyau d'échappement de la génératrice, vous respirez du CO. Mais, même si vous ne pouvez pas sentir les gaz provenant du tuyau d'échappement, vous pourriez être en train de respirer du CO.

- Ne jamais utiliser une génératrice à l'intérieur d'une maison, des garages, des petits espaces, ou autres aires restreintes partiellement fermées. Des niveaux mortels de monoxyde de carbone peuvent s'accumuler dans ces aires restreintes. Utiliser un ventilateur ou ouvrir une fenêtre ou les portes NE fournie PAS assez d'air frais à respirer.
- Utilisez SEULEMENT la génératrice à l'extérieur et loin des fenêtres ouvertes, des portes ouvertes, et des bouches d'aérations. Ces ouvertures peuvent tirer l'air provenant du tuyau d'échappement.

Même si vous utilisez une génératrice correctement, des gaz CO peuvent toujours s'infiltrer dans la maison. TOUJOURS utiliser une alarme de monoxyde de carbone à piles dans votre maison.

Si vous ressentez que vous commencez à être étourdi ou faible suite au fonctionnement de la génératrice, allez prendre l'air frais IMMÉDIATEMENT. Consultez un médecin. Vous pourriez avoir un empoisonnement au monoxyde de carbone.



AVERTISSEMENT :

Lire et comprendre toutes les instructions. Le non-respect de toutes les instructions ci-dessous peut entraîner une électrocution, un incendie et/ou un empoisonnement au monoxyde de carbone, pouvant causer des blessures graves, voire mortelles.



AVERTISSEMENT :

Pour certaines applications, le code électrique américain (National Electric Code) requiert que le générateur soit mis à la terre par l'intermédiaire d'une source de terre approuvée. Avant d'utiliser la borne de terre, consulter un électricien qualifié, un inspecteur en électricité ou un organisme local connaissant les codes et les règlements locaux applicables à l'utilisation prévue du générateur.

CONSERVER CES INSTRUCTIONS

Ce manuel relate à propos d'instructions importantes lesquelles devraient être suivies pendant l'installation et l'entretien des batteries et de la génératrice.

- Ne pas brancher au circuit électrique d'un bâtiment à moins que la génératrice et le commutateur de transfert n'aient été installés correctement par un électricien qualifié, et que ce dernier n'ait vérifié la sortie électrique. Le branchement doit isoler l'alimentation de la génératrice de la source d'alimentation de l'appareil et doit répondre à toutes les lois et codes de l'électricité applicables.

- Ne pas laisser des enfants ou personnes n'ayant pas reçu une formation adéquate utiliser cette unité.
- Ne pas démarrer ou faire tourner le moteur dans un espace confiné, de bâtiment, à proximité des fenêtres ouverts, autre ou des zones sans ventilation où des vapeurs toxiques de monoxyde de carbone peuvent s'accumuler. Le monoxyde de carbone, un gaz incolore, inodore et extrêmement toxique peut causer une perte de conscience et être mortel.
- Garder les badauds, enfants et animaux domestiques à une distance minimum de 3 m (10 pi).
- Porter des chaussures ou des bottes robustes et sèches. Ne pas utiliser pieds nus.
- Ne pas utiliser le générateur en état de fatigue, si l'on est souffrant ou sous l'influence de l'alcool, de drogues ou de médicaments.
- Garder toutes les parties du corps à l'écart des pièces en mouvement et des parties brûlantes de l'outil.
- Ne pas toucher les prises ou les fils dénudés.
- Ne pas utiliser le générateur avec des cordons électriques usés, effilochés, dénudés ou autrement endommagés.
- Laisser le moteur refroidir pour 30 minutes avant de remiser l'outil et vidanger le carburant.
- Ne pas utiliser le générateur dans la pluie ou la neige.
- Remiser la génératrice dans un endroit bien ventilé après avoir vider le réservoir de carburant. Ne pas remiser le carburant à proximité de la génératrice.
- Pour le transport dans un véhicule, le réservoir doit être vide, le robinet de carburant fermé et la machine bien arrimée.
- Installer une feuille de plastique ou un coussinet absorbant sous la génératrice pour recueillir toutes les gouttes d'essence ou de lubrifiant lors du transport.
- Manipuler le carburant avec précaution pour éviter les risques d'incendies et de brûlures. Le carburant est extrêmement inflammable.
- Ne pas fumer pendant la manipulation du carburant.
- Conserver le carburant dans un bidon ou jerrican approuvé pour l'essence.
- Poser la machine sur un sol plat, arrêter le moteur et le laisser refroidir pendant 5 minutes avant de faire le plein.
- Desserrer le bouchon du réservoir lentement pour relâcher la pression et éviter que le carburant ne s'échappe.
- Une fois le réservoir plein, remettre le bouchon en place et le serrer fermement.
- Essuyer tout le carburant éventuellement répandu.
- N'essayer en aucun cas de brûler le carburant répandu.
- Une vibration est normale pendant l'utilisation de la génératrice. Pendant et après l'utilisation de la génératrice, inspectez celle-ci, tout comme les câbles d'extension et les câbles branchés à la boîte d'alimentation afin de détecter tout bris potentiel du matériel. Faites réparer tout dommage immédiatement ou remplacer les pièces endommagées au besoin. Ne pas utiliser de fiches ou des câbles qui sont endommagés tels qu'ils aient des signes de fissures ou si la couche isolante est craquée ou si les lamelles sont endommagées.
- Il est préférable d'utiliser une génératrice fixe comme source d'énergie de secours pour alimenter la maison en cas de panne d'électricité. Une génératrice portable, même correctement branchée, risque une surcharge. Il peut en résulter une surchauffe

INSTRUCTIONS IMPORTANTES CONCERNANT LA SÉCURITÉ

ou une contrainte induite sur les composants de la génératrice, ce qui peut provoquer une défaillance de la génératrice.

- Utiliser seulement les pièces et accessoires de rechange recommandés ou équivalents et suivre les instructions du chapitre « Entretien » de ce manuel. L'usage de toute autre pièce ou le non-respect des instructions peut présenter des risques de choc électrique ou de blessures.

- Entretien du produit conformément aux instructions de ce manuel d'utilisation.
- Inspecter le produit avant chaque utilisation pour s'assurer qu'il n'y a pas de pièces desserrées, de fuites de carburant, etc. Remplacer les pièces endommagées.

RÈGLES DE SÉCURITÉ PARTICULIÈRES



DANGER :

Risque d'incendie et de blessures graves : Ne jamais retirer le capuchon du réservoir d'essence pendant que l'appareil fonctionne. Éteindre le moteur et laisser refroidir l'appareil pendant au moins cinq minutes. Retirer lentement le capuchon.



AVERTISSEMENT :




Lorsque cette génératrice est utilisée pour fournir de l'énergie à un système électrique d'un bâtiment : cette génératrice doit être installée par un électricien qualifié et doit être branchée à un circuit fermé muni d'un interrupteur de transfert, conformément au Code National Électrique NFPA70. La génératrice devra être branchée sur un interrupteur de transfert lequel pourra allumer tous les conducteurs autres que celui du circuit électrique principal. Le cadre de la génératrice doit être mis à la terre par l'intermédiaire d'une source de terre approuvée. Si cette étape n'est pas faite, la génératrice ne sera pas isolée du circuit électrique et cela pourrait entraîner des blessures graves, voire même la mort chez un électricien travaillant pour l'usine.

- Ne pas utiliser cette génératrice pour alimenter les appareils d'urgence médicale ou le matériel de survie.
- Cette génératrice est équipée d'un connecteur neutre lié à la masse. Cela signifie que le conducteur neutre est relié électriquement au cadre de l'unité.
- Toujours utiliser un détecteur de monoxyde de carbone fonctionnant sur piles lors de l'utilisation de la génératrice. En cas de sensation de nausée, d'étourdissement ou de faiblesse lors de l'utilisation de la génératrice, l'arrêter et aller immédiatement à l'air frais. Consulter un docteur. Il peut s'agir d'un empoisonnement au monoxyde de carbone.
- Placer la génératrice sur une surface stable et plate avec une pente de pas plus de 4 degrés.
- Utiliser à l'extérieur dans un endroit bien ventilé et bien éclairé à l'écart des zones de travail pour éviter les interférences sonores.
- L'utilisation de la génératrice dans des conditions mouillées peut entraîner l'électrocution. Conserver l'unité au sec.
- Garder la génératrice à au moins 1 m (3 pieds) de tout type de matériau combustible.
- Ne jamais utiliser la génératrice près de matériaux dangereux.











- Ne pas utiliser la génératrice près d'une station de distribution d'essence ou de gaz naturel.
- Ne pas toucher le silencieux ou le cylindre durant ou immédiatement après l'utilisation. Ils sont BRÛLANTS et peuvent provoquer des brûlures.
- Ne pas laisser le réservoir de carburant de la génératrice déborder lors du remplissage. Remplir à 25 mm (1 po) en dessous du goulot du réservoir de carburant pour permettre l'expansion. Vérifier que l'orifice de ventilation dans le bouchon du réservoir de carburant ne contient pas de débris. Ne pas boucher l'évent.
- Ne pas fumer lors du remplissage de la génératrice avec de l'essence.
- Fermer le moteur et le laisser refroidir pendant 5 minutes avant l'ajout de carburant ou la lubrification de la génératrice.
- Ne pas retirer la jauge d'huile ou le bouchon du réservoir de carburant lorsque le moteur tourne.
- Bien tenir compte de tous les autocollants de sécurité situés sur la génératrice.
- Garder les enfants à un minimum de 3 m (10 pieds) de la génératrice à tout moment.
- L'unité fonctionne le mieux à des températures comprises entre -5 et 40 °C (23 et 104 °F) avec une humidité relative de 90 % ou moins.
- Vérifier la tension et la fréquence requises avant de brancher tout équipement électronique sur la génératrice. La génératrice peut se trouver endommagée si les appareils branchés ne sont pas prévus pour fonctionner à une tension égale à $\pm 10\%$ et une fréquence égale à ± 3 Hz de celles indiquées sur la plaque signalétique de la génératrice. Pour éviter tout dommage, toujours brancher une charge additionnelle sur la génératrice lorsqu'un appareil à circuits intégrés (tel qu'un téléviseur) est utilisé. Une varistance peut être aussi nécessaire pour certaines applications, dans le cas d'un ordinateur, par exemple. Une varistance peut être aussi nécessaire pour certaines applications de l'équipement en solide.
- Lorsque la batterie n'est pas en usage, la garder à l'écart d'articles tels qu'attaches trombones, pièces de monnaie, clous, vis et autres petits objets métalliques risquant d'établir le contact entre les deux bornes. La mise en court-circuit des bornes de batteries peut causer des étincelles, des brûlures ou un incendie.
- Pour l'utilisation à l'extérieur seulement.
- Conserver ces instructions. Les consulter fréquemment et les utiliser pour instruire les autres utilisateurs éventuels. Si ce produit est prêté, il doit être accompagné de ces instructions.

SYMBOLES

Les termes de mise en garde suivants et leur signification ont pour but d'expliquer le degré de risques associé à l'utilisation de ce produit.

SYMBOLE	SIGNAL	SIGNIFICATION
	DANGER :	Indique une situation dangereuse qui, si elle n'est pas évitée, aura pour conséquences des blessures graves, voire mortelles.
	AVERTISSEMENT :	Indique une situation dangereuse qui, si elle n'est pas évitée, aura pour conséquences des blessures graves ou mortelles.
	ATTENTION :	Indique une situation dangereuse qui, si elle n'est pas évitée, pourrait entraîner des blessures légères ou de gravité modérée.
	AVIS :	(Sans symbole d'alerte de sécurité) Indique les informations jugées importantes sans toutefois représenter un risque de blessure (ex. : messages concernant les dommages matériels).

Certains des symboles ci-dessous peuvent être utilisés sur le produit. Veiller à les étudier et à apprendre leur signification. Une interprétation correcte de ces symboles permettra d'utiliser le produit plus efficacement et de réduire les risques.

SYMBOLE	NOM	DÉSIGNATION / EXPLICATION
	Alerte de sécurité	Indique un risque de blessure potentiel.
	Lire manuel d'utilisation	Pour réduire les risques de blessures, l'utilisateur doit lire et veiller à bien comprendre le manuel d'utilisation avant d'utiliser ce produit.
	Avertissement concernant l'humidité	Ne pas exposer à la pluie ou l'humidité.
	Choc électrique	Une utilisation de l'équipement dans des conditions non sèches et le non-respect des méthodes sans danger peuvent entraîner un choc électrique.
	Vapeurs toxiques	Durant le fonctionnement, le générateur émet du monoxyde de carbone, un gaz toxique inodore et incolore. Respirer le monoxyde de carbone peut entraîner des nausées, des évanouissements, voire la mort.
	Incendie/explosion	Le carburant et ses vapeurs sont extrêmement inflammables et explosifs. Un incendie ou une explosion peut entraîner des brûlures graves, voire la mort.
	Surface brûlante et gaz d'échappement	Pour réduire les risques de blessures ou de dommages, éviter tout contact avec les surfaces brûlantes et ne pas positionner toute partie du corps dans le passage de gaz d'échappement chauds.
	Danger au levage	Pour réduire le risque de blessures graves, éviter de lever le générateur seul.
	Mise à la terre	Consulter un électricien local pour déterminer les exigences de mise à la terre avant le fonctionnement.
	Symbole de recyclage	Ce produit utilise la batterie de acide de plomb (Pb). Les réglementations locales ou gouvernementales peuvent interdire de jeter les batteries dans les ordures ménagères. Consulter les autorités locales compétentes pour les options de recyclage et/ou l'élimination.

SYMBOLLES





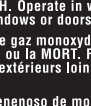



Certains des symboles ci-dessous peuvent être utilisés sur le produit. Veiller à les étudier et à apprendre leur signification. Une interprétation correcte de ces symboles permettra d'utiliser le produit plus efficacement et de réduire les risques.

SYMBOLE	NOM	DÉSIGNATION / EXPLICATION
V	Volts	Tension
A	Ampères	Courant
Hz	Hertz	Fréquence (cycles par seconde)
W	Watt	Puissance
hrs	Heures	Durée
gal	Gallon	Volume
qt	Quart	Volume








AUTOCOLLANTS DE SÉCURITÉ

Les informations ci-dessous se trouvent sur le générateur. Pour des raisons de sécurité, étudier et comprendre tous les autocollants avant de mettre le générateur en marche.

Si un autocollant se détache ou devient illisible, communiquer service à la clientèle ou un centre de réparations qualifié pour obtenir un autocollant de rechange

 DANGER	 DANGER	 PELIGRO
 <p>You WILL be KILLED or SERIOUSLY HURT if you do not follow the Operator's Manual instructions.</p> <p>Ne pas procéder de la manière décrite dans ce Manuel d'utilisation entraînera des BLESSURES GRAVES voire la MORT.</p> <p>SE MATARÁ o LESIONARÁ GRAVEMENTE si no sigue las instrucciones del Manual del operador.</p>	 <p>Exhaust contains poisonous carbon monoxide gas that can cause unconsciousness or DEATH. Operate in well ventilated, outdoor areas away from open windows or doors.</p> <p>L'échappement contient le gaz monoxyde de carbone toxique qui peut causer l'inconscience ou la MORT. Fonctionner dans les secteurs bien ventilés et extérieurs loin d'ouvre des fenêtres ou des portes.</p> <p>El escape contiene gas venenoso de monóxido de carbono que puede causar pérdida del conocimiento o MUERTE. Opere en áreas exteriores bien ventiladas lejos de puertas o ventanas abiertas.</p>	 <p>Generator is a potential source of electric shock. Do not expose to moisture, rain, or snow. Do not operate with wet hands or feet.</p> <p>Le générateur est une source potentielle de chocs électriques. Ne pas exposer à l'humidité, la pluie ou la neige. Ne pas utiliser avec les mains ou les pieds mouillés.</p> <p>El generador es una fuente de descarga eléctrica. No lo exponga a humedad, la lluvia, ni a la nieve. No opere con manos o pies húmedos.</p>
 <p>Risk of fire. Do not add fuel while the product is operating.</p> <p>Risque d'incendie. Ne pas ajouter de carburant pendant l'utilisation de l'appareil.</p> <p>Riesgo del incendio. No agregue combustible cuando el producto esté funcionando.</p>	 <p>Do not expose to rain or use in damp locations.</p> <p>Ne pas exposer à la pluie ou l'humidité.</p> <p>No exponga a la lluvia ni use en lugares húmedos.</p>	 <p>940654254-03</p>

- Ne pas procéder de la manière décrite dans ce manuel d'utilisation entraînera des BLESSURES GRAVES voire la MORT.
- Risque d'incendie. Ne pas ajouter de carburant pendant l'utilisation de l'appareil.
- Le générateur est une source potentielle de chocs électriques. Ne pas exposer à l'humidité, la pluie ou la neige. Ne pas utiliser avec les mains ou les pieds mouillés.
- L'échappement contient le gaz monoxyde de carbone toxique qui peut causer l'inconscience ou la MORT les secteurs bien ventilés et extérieurs loin d'ouvre des fenêtres ou des portes.
- Ne pas exposer à la pluie ou l'humidité.
- L'utilisation d'une génératrice à l'intérieur PEUT VOUS TUER EN QUELQUES MINUTES. Les génératrices produisent du monoxyde de carbone, un gaz mortel incolore et inodore.
- NE JAMAIS utiliser à l'intérieur d'une maison ou d'un garage, MÊME SI les portes et les fenêtres sont ouvertes.
- Utiliser uniquement À L'EXTÉRIEUR et loin des fenêtres, des portes et des événements.

 DANGER		 DANGER	
<p>Using a generator indoors CAN KILL YOU IN MINUTES. Generator exhaust contains carbon monoxide. This is a poison you cannot see or smell.</p>		<p>L'utilisation d'une génératrice à l'intérieur PEUT VOUS TUER EN QUELQUES MINUTES. Les génératrices produisent du monoxyde de carbone, un gaz mortel incolore et inodore. NE JAMAIS utiliser à l'intérieur d'une maison ou d'un garage, MÊME SI les portes et les fenêtres sont ouvertes. Utiliser uniquement À L'EXTÉRIEUR et loin des fenêtres, des portes et des événements.</p>	
  <p>NEVER use inside a home or garage, EVEN IF doors and windows are open.</p>	  <p>Only use OUTSIDE and far away from windows, doors, and vents.</p>	<p> PELIGRO</p> <p>Usar un generador en el interior PUEDE MATARLO EN POCOS MINUTOS. Los gases de escape del generador contienen monóxido de carbono. Es un veneno que no puede verse ni olerse. NUNCA lo use dentro de su hogar o del garaje, INCLUSO con las puertas y las ventanas abiertas. Sólo utilícelo AL AIRE LIBRE y lejos de ventanas, puertas y respiraderos.</p>	

SYMBLES

AVERTISSEMENT AU SUJET DU CAPUCHON DU RÉSERVOIR D'ESSENCE

Ne jamais retirer le capuchon du réservoir d'essence pendant que l'appareil fonctionne. Éteindre le moteur et laisser refroidir l'appareil pendant au moins cinq minutes. Retirer lentement le capuchon afin de relâcher tout bâti de pression du système de carburant et éviter que la chaleur du silencieux n'enflamme les vapeurs d'essence.



⚠ DANGER ⚠ PELIGRO

RISQUE D'INCENDIE ET DE BLESSURES GRAVES : Ne jamais retirer le capuchon du réservoir d'essence pendant que l'appareil fonctionne. Éteindre le moteur et laisser refroidir l'appareil pendant au moins cinq minutes. Retirer lentement le capuchon.

RIESGO DE INCENDIOS Y LESIONES POR QUEMADURAS: Nunca retire la tapa de combustible mientras está encendida la unidad. Apague el motor y deje enfriar la unidad durante al menos cinco minutos. Retire la tapa lentamente.

UTILISEZ UN STABILISATEUR DE CARBURANT POUR LE STOCKAGE
EL USO DEL ESTABILIZADOR DE COMBUSTIBLE PARA EL ALMACENAMIENTO

AVERTISSEMENT CONCERNANT LE CARBURANT

Ne pas fumer lors du plein. Ne pas trop remplir. Le plein est obtenu à 25 mm (1 po) en dessous du haut du goulot de remplissage. Arrêter le moteur pendant cinq minutes avant de faire le plein pour éviter que la chaleur du silencieux n'allume les vapeurs de carburant.

⚠ DANGER ⚠ DANGER ⚠ PELIGRO

Risk of Fire. Check for any fuel overflow or leaking. Stop the engine before refueling.

Risque d'incendie. Vérifier l'absence de débordement ou de fuite de carburant. Arrêter le moteur avant de faire le plein.

Riesgo de incendio. Revise si hay algún derrame o fuga de combustible. Apague el motor antes de poner combustible.

940974007-04

AVERTISSEMENT CONCERNANT LE LUBRIFIANT MOTEUR

Ajouter de le lubrifiant avant l'utilisation initiale du génératrice. Toujours vérifier le niveau de lubrifiant avant chaque utilisation. Le niveau de lubrifiant doit toujours se trouver dans la zone hachurée de la jauge. Cette unité est équipée d'un capteur d'huile qui coupe automatiquement le moteur si le niveau de lubrifiant descend à un niveau dangereux.

NOTICE AVIS AVISO

Add lubricant to full mark to start. Engine will not start or will shut off if sensor detects low lubricant level. • Ajouter de lubrifiant jusqu'au repère de remplissage pour démarrer. Le moteur ne démarre pas ou s'éteint si le capteur détecte le niveau de lubrifiant faible. • Añada lubricante hasta la marca de lleno para arrancar. El motor no arranca o se apaga si sensor detecta el nivel de lubricante de baja.

CHECK LUBRICANT

940708019-04

⚠ WARNING ⚠ AVERTISSEMENT ⚠ ADVERTENCIA

Product does not include ground rod or copper wire. Call a qualified electrician for local grounding requirements.

Le produit ne comprend pas de piquet de terre ou de fil en cuivre. Appeler un électricien qualifié pour connaître les exigences locales de mise à la terre.

El producto no incluye el ealambre de cobre ni la barra de conexión a tierra. Comuníquese con un electricista calificado para todo lo relacionado con los requisitos de conexión a tierra.

940513029-02

MISE À LA TERRE - AVERTISSEMENT

Le piquet de prise de terre ou le fil de cuivre n'est pas fourni avec cette génératrice. Appeler un électricien qualifié pour connaître les exigences locales de mise à la terre.

PARE-ÉTINCELLES

L'utilisation de cet équipement peut créer des étincelles susceptibles d'enflammer la végétation sèche. Il peut être nécessaire d'utiliser un pare-étincelles. L'utilisateur doit communiquer avec le service local d'incendie pour connaître toutes les lois et tous les règlements portant sur les exigences en matière de prévention des incendies.

⚠ WARNING Operation of this equipment may create sparks that can start fires around dry vegetation. A spark arrestor may be required. The operator should contact local fire agencies for laws or regulations relating to fire prevention requirements.

⚠ AVERTISSEMENT L'utilisation de cet équipement peut créer des étincelles susceptibles d'enflammer la végétation sèche. Il peut être nécessaire d'utiliser un pare-étincelles. L'utilisateur doit communiquer avec le service local d'incendie pour connaître toutes les lois et tous les règlements portant sur les exigences en matière de prévention des incendies.

⚠ ADVERTENCIA El uso de este equipo puede producir chispas propensas a iniciar incendios cerca de vegetación seca. Es posible que se necesite un parachispas. El operador debe ponerse en contacto con las agencias contra incendios locales para conocer las leyes y regulaciones relacionadas con los requisitos de prevención de incendios.

940947003-03

AVERTISSEMENT CONCERNANT LES SURFACES BRÛLANTES

Ne pas toucher le silencieux ou le cylindre en aluminium du moteur. Ils sont BRÛLANTS et peuvent causer de graves brûlures. Ne mettre aucun toute partie du corps ou matériau inflammable ou combustible sur le chemin direct de l'échappement.

⚠ WARNING ⚠ AVERTISSEMENT ⚠ ADVERTENCIA

HOT SURFACE AND EXHAUST SURFACE ET D'ÉCHAPPEMENT CHAUDS SUPERFICIE Y DE ESCAPE ESTEN CALIENTE

940680075-01

AVERTISSEMENT UN ESPACE LIBRE

Pendant le fonctionnement ou lors du rangement, allouez un espace libre de 91,4 cm (3 pi) de chaque côté et au-dessus de la génératrice. Laisser refroidir l'appareil au moins 30 minutes avant de le ranger. La chaleur crée par le tuyau et les gaz d'échappement peut être suffisamment chaude pour causer des brûlures graves ou enflammer des objets combustibles.

⚠ DANGER ⚠ DANGER ⚠ PELIGRO

Risk of Fire. Keep all objects at least 3 feet away from this machine. Heat from Muffler and Exhaust gases can ignite combustible objects.

Risque d'incendie. Éloigner tous les objets au moins de 91,4 cm (3 pi) de cet appareil. La chaleur du pot d'échappement et les gaz d'échappement peuvent enflammer les objets combustibles.

Riesgo de incendio. Mantener todos los objetos a una distancia mínima de 91,4 cm (3 pies) de esta máquina. El calor de los gases del silenciador y el escape pueden prender fuego a objetos combustibles.

940974089-04

CARACTÉRISTIQUES ÉLECTRIQUES

TAILLE DU CÂBLE DU CORDON PROLONGATEUR

Voir le tableau ci-dessous pour vérifier que la taille de câble des cordons prolongateurs utilisés est capable de porter la charge requise. Des tailles de câbles inadéquates peuvent causer une chute de tension qui peut griller l'appareil et surchauffer le cordon.

Courant en ampères	Charge en watts		Longueur de cordon permise maximum				
	À 120 V	À 240 V	Fil de calibre 8	Fil de calibre 10	Fil de calibre 12	Fil de calibre 14	Fil de calibre 16
2.5	300	600		305 m (1000 pieds)	183 m (600 pieds)	114 m (375 pieds)	76 m (250 pieds)
5	600	1200		152 m (500 pieds)	91 m (300 pieds)	61 m (200 pieds)	38 m (125 pieds)
7.5	900	1800		107 m (350 pieds)	61 m (200 pieds)	38 m (125 pieds)	31 m (100 pieds)
10	1200	2400		76 m (250 pieds)	46 m (150 pieds)	31 m (100 pieds)	15 m (50 pieds)
15	1800	3600		46 m (150 pieds)	31 m (100 pieds)	20 m (65 pieds)	
20	2400	4800	53 m (175 pieds)	38 m (125 pieds)	23 m (75 pieds)		
25	3000	6000	46 m (150 pieds)	31 m (100 pieds)			
30	3600	7200	38 m (125 pieds)	20 m (65 pieds)			
40	4800	9600	27 m (90 pieds)				

CHARGES DU MOTEUR ÉLECTRIQUE

Les moteurs électriques courants en fonctionnement normal tirent jusqu'à six fois leur courant de fonctionnement lors du démarrage. Ce tableau peut être utilisé pour estimer les watts requis pour démarrer les moteurs électriques ; cependant, si un moteur électrique ne démarre pas ou n'atteint pas sa vitesse de fonctionnement, éteindre immédiatement l'appareil ou l'outil pour éviter d'endommager l'équipement. Toujours vérifier les exigences de l'outil ou de l'appareil utilisé par rapport à la sortie nominale du génératrice.

Taille du moteur (ch)	Watts de fonctionnement	Watts requis pour le démarrage du moteur		
		Universel	Condensateur	Phase auxiliaire
1/8	275	N/A	850	1200
1/6	275	600	850	2050
1/4	400	800	1050	2400
1/3	450	950	1350	2700
1/2	600	1000	1800	3600
3/4	850	1200	2600	—
1	1100	N/A	3300	—

AVIS :

Vérifier la tension et la fréquence requises avant de brancher tout équipement électronique sur le génératrice. Le génératrice peut se trouver endommagé si les appareils branchés ne sont pas prévus pour fonctionner à une tension égale à $\pm 10\%$ et une fréquence égale à ± 3 hz de celles indiquées sur la plaque signalétique du génératrice. Pour éviter tout dommage, toujours brancher une charge additionnelle sur le génératrice lorsqu'un appareil à circuits intégrés (tel qu'un téléviseur) est utilisé. Une varistance peut être aussi nécessaire pour certaines applications, dans le cas d'un ordinateur, par exemple. Une varistance peut être aussi nécessaire pour certaines applications de l'équipement en solide.

DISJONCTEUR DE FUITE À LA TERRE

Voir la figure 1.

Les prises de 20 A, 120 V sur le génératrice sont protégées par un disjoncteur de fuite à la terre qui protège des dangers de courants de défaut à la terre. Un exemple de courant de défaut

à la terre est le courant qui passerait par une personne utilisant un appareil dont l'isolation serait défectueuse, et qui serait en même temps en contact avec une mise électrique à la terre, telle qu'un dispositif de plomberie, un sol mouillé ou la terre.

Les prises protégées par un disjoncteur de fuite à la terre ne protègent pas des court-circuits, des surcharges et des chocs électriques.

Les prises protégées par un disjoncteur de fuite à la terre peuvent être testées au moyen des boutons TEST et RESET (Réinitialisation).

Pour tester :

- Appuyer sur le bouton TEST. Ceci doit faire sortir le bouton Reset (Réinitialiser).
- Pour restaurer l'alimentation, appuyer sur le bouton RESET (Réinitialiser).

Effectuer ce test chaque mois pour assurer un bon fonctionnement du disjoncteur de fuite à la terre. Si le génératrice est remis à l'extérieur, non protégé des intempéries, tester la prise du disjoncteur avant chaque utilisation.

CARACTÉRISTIQUES ÉLECTRIQUES

CAPACITÉ DU GÉNÉRATRICE

S'assurer que le génératrice peut fournir les watts continus (de fonctionnement) et de surtension (démarrage) suffisants pour tous les articles alimentés au même moment. Suivre ces simples étapes.

1. Sélectionner les articles qui seront alimentés au même moment.
2. Faire le total des watts continus (de fonctionnement) de ces articles. Ceci correspond à la somme de puissance que le génératrice doit produire pour que ces articles puissent fonctionner. Voir le tableau de référence de wattage à droite.
3. Déterminer les watts de surtension (démarrage) nécessaires. Les watts de surtension correspondent à la courte pointe de puissance nécessaire pour démarrer les outils ou les appareils à moteur électriques, tels que les scies circulaires ou les réfrigérateurs. Les moteurs ne démarrant pas tous au même moment, le total des watts de surtension peut être déterminé en ajoutant uniquement les articles au wattage de surtension supplémentaire le plus élevé au wattage nominal total de l'étape 2.

Exemple :

Outil ou appareil	Wattage continu*	Wattage de surtension *
Climatiseur de fenêtre, 10 000 BTU	1200	1800
Réfrigérateur	700	2200
Pompe de puits 1/2 ch	1000	2000
Télévision de 27 pouces	500	0
Éclairage (75 W)	75	0
	3475 Wattage de fonctionnement total	2200 Wattage de surtension

Wattage continu (fonctionnement) total	3475
Wattage de surtension supplémentaire max.	+ 2200
Wattage de surtension totale requise	5675

GESTION DE L'ÉNERGIE

Pour prolonger la durée de vie du génératrice et des appareils reliés, il est important d'effectuer l'ajout de charges électriques supplémentaires au génératrice avec soin. Rien ne doit être connecté aux sorties du génératrice avant le démarrage du moteur. Une gestion correcte et en toute sécurité de l'énergie du génératrice consiste à ajouter des charges en séquence :

1. Sans appareil connecté au génératrice, mettre le moteur en marche de la façon décrite dans ce manuel.
2. Brancher et mettre en marche la première charge, de préférence la plus importante.
3. Laisser la sortie du génératrice se stabiliser (le moteur tourne régulièrement et l'appareil relié fonctionne correctement).
4. Brancher et mettre la charge suivante en marche.
5. Une fois de plus, laisser le génératrice se stabiliser.
6. Répéter les étapes 4 et 5 pour chaque charge supplémentaire.

Ne jamais ajouter de charges supérieures à la capacité du génératrice. Bien veiller à considérer les charges de surtension comme décrit précédemment.

AVIS :

Ne pas surcharger la capacité du génératrice. Le dépassement de la capacité du wattage/de l'ampérage du génératrice peut endommager le génératrice et/ou les appareils électriques qui lui sont reliés.

Application / Équipement	Estimé watts de fonctionnement*	Estimé watts de démarrage*
Cas d'urgence / De secours à la maison		
Radio d'horloge	50	0
Iluminación (qté. 4 x 75 vatios)	300	0
Réfrigérateur	700	2200
Ventilateur de génératrice d'air chaud	800	2350
Pompe de puits	1000	1500
Micro-ondes	1000	1000
Pompe de vidange	1050	2200
Cuisinière électrique - réchaud unique	2100	0
Site de travail		
Perceuse électrique - 1/2 ch	600	900
Pulvérisateur sans air - 1/3 ch	600	1200
Lampe de travail quartz-halogène	1000	1000
Scie alternative	960	1920
Compresseur à air - 1 ch	1600	4500
Scie circulaire - 185 mm (7-1/4 po)	1400	2300
Raboteuse/dégauchisseuse - 152 mm (6 po)	1800	1800
Scie à onglet - 255 mm (10 po)	1800	1800
Scie circulaire à table/scie circulaire tous azimuts - 255 mm (10 po)	2000	2000

*Les wattages indiqués sont approximatifs. Vérifier le wattage sur l'outil ou l'appareil.

CARACTÉRISTIQUES

FICHE TECHNIQUE

MOTEUR

Type de moteur..... 420 cc, EFI
Bougie F6RTC ou équivalente
Volume de carburant 22,7 l (6 gal.)
Volume de remplissage de lubrifiant.. Environ 0,94 l (32 oz.)

*Sortie nominale déterminé par la norme G300 de la PGMA

GÉNÉRATRICE

Tension nominale..... 120 V / 240 V
Ampérage nominal 58,3 A / 29,1 A
Sortie nominale* 7 000 W
Watts démarrage 8 750 W
Fréquence nominale..... 60 Hz

BIEN CONNAÎTRE LE GÉNÉRATRICE

Voir la figure 2.

L'utilisation sûre de ce produit exige une compréhension des renseignements figurant sur le produit et contenus dans le manuel d'utilisation, ainsi qu'une bonne connaissance du projet entrepris. Avant d'utiliser ce produit, se familiariser avec toutes ses caractéristiques et règles de sécurité.

DISJONCTEUR C.A.

Le disjoncteur est fourni pour protéger le génératrice contre les surcharges électriques. Appuyer sur le bouton du disjoncteur pour le réenclencher.

FILTRE À AIR

Le filtre à air permet de limiter la quantité de poussière et de saleté pénétrant dans l'unité lors du fonctionnement.

FUSIBLE DE CHARGE POUR BATTERIE

Le circuit de fusible de charge pour la batterie protège la batterie.

MAINTENEUR DE BATTERIE

Utiliser le mainteneur de batterie lorsque le génératrice est entreposé contribue à garder la charge de la batterie et le génératrice prêt à être utilisé.

TÉMOIN D'ANOMALIE LUMINEUX

Le témoin lumineux à DEL du panneau de contrôle s'illuminera pour indiquer une anomalie dans le système d'injection du moteur. Veuillez communiquer avec le service à la clientèle ou un centre de réparations qualifié pour obtenir de l'aide.

AFFICHEUR NUMÉRIQUE

L'afficheur numérique affiche la tension c.a. de sortie, la fréquence et la durée de fonctionnement du moteur pendant la période d'usage actuelle et le total des heures d'utilisation de l'appareil.

COMMUTATEUR DE MOTEUR

Le commutateur de moteur est utilisé seul ou en combinaison avec le manchon en lanceur à rappel pour commencer le moteur. Il est aussi utilisé pour arrêter le moteur.

RÉSERVOIR DE CARBURANT

Le réservoir de carburant a une contenance de 22,7 l (6 gallons).

ROBINET DE CARBURANT

Le débit de carburant du réservoir de carburant vers le moteur se ferme et s'ouvre en utilisant le robinet de carburant.

BORNE DE TERRE

La borne de terre permet d'obtenir une bonne mise à la terre du génératrice pour la protection contre les chocs électriques. Consulter un électricien qualifié local pour les exigences de mise à la terre locales.

PROTECTEUR D'ARRÊT EN CAS DE BAS NIVEAU D'HUILE

Le détecteur de bas niveau d'huile entraîne l'arrêt du moteur si le niveau de lubrifiant dans le carter est insuffisant.

BOUCHON/JAUGE D'HUILE

Retirer le bouchon de remplissage d'huile pour vérifier le niveau de lubrifiant et faire l'appoint selon le besoin.

HUILER LE BOUCHON D'ÉGOUT

Lors de la vidange de lubrifiant moteur, dévisser et retirer la huile le bouchon d'égout moteur pour permettre à l'huile d'être vidangée.

PRISES

Le génératrice est équipé des prises 60 Hz à puissance monophasée suivantes : deux prises double de 120 V c.a., 20 A protégée par un disjoncteur de fuite de terre et une prise de 240 V c.a., 30 A. Elles peuvent être utilisées pour le fonctionnement d'appareils, d'éclairage électrique, d'outils et de charges de moteur adéquats.

POIGNÉE DU DÉMARREUR À RAPPEL

La poignée du démarreur à rappel est utilisée (avec le contacteur du moteur) pour mettre le génératrice du moteur en marche.

ASSEMBLAGE

DÉBALLAGE

Ce produit doit être assemblé.

- Couper prudemment les côtés de la caisse puis sortir la machine et les accessoires de la caisse. S'assurer que toutes les pièces figurant sur la liste de contrôle sont incluses.

NOTE : Cette machine est lourde et nécessite au minimum deux personnes pour être soulevée. Pour éviter des problèmes lombaires soulever avec les jambes, pas avec le dos et demander de l'aide lorsque nécessaire.



AVERTISSEMENT :

Ne pas utiliser le produit si, en le déballant, vous constatez que des éléments figurant dans la Liste des pièces détachées sont déjà assemblés. Certaines pièces figurant sur cette liste n'ont pas été assemblées par le fabricant et exigent une installation. Le fait d'utiliser un produit qui a été assemblé de façon inadéquate peut entraîner des blessures.

- Examiner soigneusement l'unité pour s'assurer que rien n'a été brisé ou endommagé en cours de transport.
- Ne pas jeter les matériaux d'emballage avant d'avoir soigneusement examiné le produit et vérifié qu'il fonctionne correctement.
- Si des pièces manquent ou sont endommagées, appeler le 1-800-860-4050 pour obtenir de l'aide.



AVERTISSEMENT :

Si falta o está dañada alguna pieza, no utilice este producto sin haber reemplazado la pieza. Usar este producto con partes dañadas o faltantes puede causar lesiones serias al operador.



AVERTISSEMENT :

Ne pas essayer de modifier ce produit ou de créer des accessoires non recommandés pour ce produit. De telles altérations ou modifications sont considérées comme un usage abusif et peuvent créer des conditions dangereuses pouvant entraîner des blessures graves.



AVERTISSEMENT :

Ne pas tenter d'utiliser le générateur avant d'avoir terminé l'assemblage. Le non-respect de cette instruction pourrait entraîner des blessures graves.

LISTE DES PIÈCES DÉTACHÉE

Voir la figure 3.

Les articles suivants sont inclus avec le générateur :

No. de

Pièce	Description	Qté.
1	Roue	2
2	Essieu	2
3	Rondelle.....	2
4	Goupille d'attelage	2
5	Boulon	4
6	Support de pied droite	1
7	Support de pied gauche.....	1
8	Écrou frein	4
9	Mainteneur de batterie	1
10	Lubrifiant moteur	1
11	Compartiment de batterie	1
	Manuel d'utilisation (non illustré).....	1

OUTILS NÉCESSAIRES

Voir la figure 4.

Les outils suivants (non inclus ou dessiné pour escalader) sont nécessaires pour effectuer l'assemblage :

- Clés à douille et/ou clés mixte
- Tournevis à pointe cruciforme

NOTE : Ne pas mettre du carburant ou du lubrifiant dans la génératrice avant d'installer les pieds et les roues.

FIXER LES PIEDS

Voir la figure 5.

- Localiser les pièces suivantes :

Support de pied droite
Support de pied gauche
4 écrous frein
4 boulon

- Insérer les boulons dans le support de pied droit et les trous du cadre de la génératrice, comme montré.
- Visser l'écrou frein sur le boulon et serrer un tour complet passé l'ajustement serré.

NOTE : Faire attention à ne pas trop le serrer pour éviter que le pied ne s'écroule.

- Répéter avec le pied gauche.

ASSEMBLAGE

INSTALLATION DES ROUES

Voir la figure 6.

Les roues sont fournies pour aider à déplacer le génératrice à l'endroit désiré et doivent être installées du même côté que la poignée.

- Localiser les pièces suivantes :
 - 2 essieux
 - 2 goupilles d'attelage
 - 2 rondelles
 - 2 roues
- Relever l'extrémité du génératrice du côté du poignée à rappel suffisamment pour accéder au bas du cadre ; placer des cales en dessous pour obtenir un bon support.
- Glisser ce l'essieu dans le trou central de la roue.
- Glisser une rondelle sur l'essieu, puis glisser l'essieu dans le trou de montage de la roue, tel qu'illustré.
- Insérer une goupille d'attelage pour fixer solidement en place.

NOTE : La goupille d'attelage doit être poussée dans l'essieu jusqu'à ce que le centre de la goupille repose sur le dessus de l'essieu.
- Répéter la procédure pour l'autre roue.

CONNEXION ET DÉBRANCHER DE BATTERIE

Voir la figure 7.



AVERTISSEMENT :

Pour réduire le risque d'électrocution ou d'explosion, ne pas court-circuiter les bornes de la batterie ou charger dans un contenant étanche. Éloigner des étincelles et des flammes.



AVERTISSEMENT :

Gardez les objets métalliques loin des bornes de batterie. Objets métalliques risquant d'établir le contact entre les deux bornes. La mise en court-circuit des bornes de batteries peut causer des étincelles, des brûlures ou un incendie.

AVIS :

La batterie pourrait devoir être chargée avant le démarrage de la génératrice avec le commutateur de moteur ou le démarreur à rappel. Lorsque la génératrice est démarrée, la batterie se chargera pendant que l'appareil fonctionne.

Les câbles de batterie doivent être branchés avant que la génératrice puisse fonctionner.

Connexion du câbles de batterie:

- Branchez les fils métallique rouge à la borne positive (+) et le fil métallique noir à la borne négative (-). Assurez-vous que toutes les connexions sont bien serrées.

NOTE : Faire preuve de prudence afin d'éviter de court-circuiter les bornes au moment de l'installation. Le fait de court-circuiter les bornes peut causer des étincelles, des dommages à la batterie ou à la génératrice ou même des blessures ou des explosions.
- Couvrir les borne avec les couvertures de caoutchouc.

Au moment de retirer la batterie en vue de la remplacer : débrancher la borne négative (noire) en premier, et ensuite, la borne positive (rouge) en prenant soin de ne pas court-circuiter les bornes. Respectez toujours les avertissements en matière de sécurité fournis avec la batterie. Enlevez la batterie. Retirer la batterie et l'éliminer conformément aux règlements locaux et d'état.

UTILISATION

DANGER :

Monoxyde de Carbone. Utiliser une génératrice à l'intérieur d'un bâtiment CAUSERA LA MORT EN QUELQUES MINUTES.

Le tuyau d'échappement de la génératrice contient un niveau élevé de monoxyde de carbone (CO), lequel s'avère être un gaz poison inodore et invisible. Si vous pouvez sentir les gaz du tuyau d'échappement de la génératrice, vous respirez du CO. Mais, même si vous ne pouvez pas sentir les gaz provenant du tuyau d'échappement, vous pourriez être en train de respirer du CO.

- Ne jamais utiliser une génératrice à l'intérieur d'une maison, des garages, des petits espaces, ou autres aires restreintes partiellement fermées. Des niveaux mortels de monoxyde de carbone peuvent s'accumuler dans ces aires restreintes. Utiliser un ventilateur ou ouvrir une fenêtre ou les portes NE fournie PAS assez d'air frais à respirer.
- Utilisez SEULEMENT la génératrice à l'extérieur et loin des fenêtres ouvertes, des portes ouvertes, et des bouches d'aérations. Ces ouvertures peuvent tirer l'air provenant du tuyau d'échappement.

Même si vous utilisez une génératrice correctement, des gaz CO peuvent toujours s'infiltrer dans la maison. TOUJOURS utiliser une alarme de monoxyde de carbone à piles dans votre maison.

Si vous ressentez que vous commencez à être étourdi ou faible suite au fonctionnement de la génératrice, allez prendre l'air frais IMMÉDIATEMENT. Consultez un médecin. Vous pourriez avoir un empoisonnement au monoxyde de carbone.

AVERTISSEMENT :

Le Code national de l'électricité n'exige pas que cette génératrice soit mise à la terre si elle est utilisée **uniquement** avec un équipement à cordon ou à connecteur mâle. Cependant, les autres méthodes utilisées avec cette génératrice nécessitent une mise à la terre afin de réduire le risque de décharge électrique et d'électrocution. Consulter un électricien qualifié, un inspecteur en électricité ou l'organisme local gérant les règlements locaux ou les lois afin de connaître les exigences de mise à la terre selon votre situation avant d'utiliser la génératrice.

AVERTISSEMENT :

La familiarité avec l'appareil ne doit pas faire oublier la vigilance. Ne pas oublier qu'une fraction de seconde d'inattention peut entraîner des blessures graves.

AVERTISSEMENT :

N'utiliser ni accessoires, ni outils non recommandés par le fabricant de ce produit. L'utilisation de pièces et accessoires non recommandés peut entraîner des blessures graves.

AVIS :

Ce produit est équipé d'un pare-étincelles qui a été évalué par le Service forestier des États-Unis; cependant, les utilisateurs du produit doivent respecter les réglementations locales et gouvernementales de lutte contre l'incendie. Consulter les autorités appropriées. Contacter le service à la clientèle ou un centre de réparations qualifié pour acheter un pare-étincelles de rechange.

AVIS :

Avant chaque utilisation, inspecter au complet le produit afin de s'assurer qu'aucune pièce (vis, écrous, boulons, chapeaux, etc.) n'est endommagée, manquante ou desserrée. Serrer solidement toutes les pièces de fixation et les chapeaux et ne pas utiliser le produit tant que toutes les pièces manquantes ou endommagées n'ont pas été remplacées. Veuillez communiquer avec le service à la clientèle ou un centre de réparations qualifié pour obtenir de l'aide.

APPLICATIONS

Cé génératrice est conçu pour fournir une alimentation électrique pour le fonctionnement d'éclairages, d'appareils, d'outils et de charges de moteur compatibles.

AVANT D'UTILISER L'UNITÉ

- Utiliser seulement À L'EXTÉRIEUR et au moins à 6 m (20 pi) des loin de toutes fenêtres, portes ou bouches d'aération tel que recommandée par le Service de santé et les Centres pour le contrôle et la prévention des maladies américains. Le type de maison et les conditions du vent peuvent exiger une distance plus grande.
- NE JAMAIS utiliser à l'intérieur d'une maison ou d'un garage, MÊME SI les portes et les fenêtres sont ouvertes.
- Toujours poser la génératrice sur une surface stable et plate.

UTILISATION

EXIGENCES PARTICULIÈRES :

Il existe peut-être des règlements en matière de santé et sécurité au travail (OSHA aux É.-U.), des règlements ou lois locales s'appliquant à l'utilisation prévue de cette génératrice.

Veillez consulter un électricien qualifié, un inspecteur en électricité ou un organisme local connaissant les codes et les règlements locaux :

- Certaines régions obligent l'enregistrement des génératrices auprès des entreprises de service locales.
- Des règlements additionnels peuvent être imposés lorsque la génératrice est utilisée sur un chantier de construction.

RÉLEVER ET ABAISSER LA POIGNÉE

Voir la figure 8.

- Relèvement le poignée (pour déplacer génératrice) : tirer sur le bouton de verrouillage de la poignée, relever la poignée, puis relâchez le bouton afin qu'il se mette en position de verrouillage. Insérer la goupille de verrouillage de la poignée dans la fente pour le verrouiller en place.
- Abaissement le poignée (pour mettre ou transporter génératrice) : retirer la goupille de verrouillage de la poignée, puis tirer le bouton de relâchement de poignée vers l'extérieur et abaisser la poignée.

Ne jamais utiliser la poignée pour soulever la génératrice. La poignée ne doit servir que pour rouler l'unité sur ses roues au moment du transport.

VÉRIFICATION/AJOUT DE LUBRIFIANT

Voir la figure 9.

AVIS :

Une tentative de démarrage du moteur avant le remplissage en lubrifiant correct entraîne une panne de l'équipement.

NOTE : Si un manuel du moteur est fourni avec ce produit, veuillez respecter les instructions présentés dans le manuel du moteur au lieu des informations ci-dessous.

Le lubrifiant moteur a une influence majeure sur la performance du moteur et la durée de service. De manière générale et pour toutes températures, de l'huile synthétique SAE 10W-30 est recommandée. Toujours utiliser une huile moteur à 4 temps conforme ou supérieure aux exigences de service SJ API.

Ce moteur est doté d'un dispositif qui arrête le moteur lorsque le niveau de lubrifiant est incorrect. Le moteur ne redémarre pas tant que le niveau de lubrifiant correct n'est pas atteint.

NOTE : Des lubrifiants moteur 2 temps non détergentes endommageront le moteur et ne doivent pas être utilisés.

- Dévisser le capuchon d'huile/la jauge et les retirer.
- Essuyer la jauge et l'insérer de nouveau dans le trou sans visser.

- Retirer une nouvelle fois la jauge et vérifier le niveau de lubrifiant. Le niveau de lubrifiant doit se trouver dans la zone hachurée de la jauge.
- Si le niveau est bas, ajouter de le lubrifiant moteur jusqu'à ce que le niveau atteigne la portion supérieure sur la jauge.
- Réinstaller et serrer le bouchon d'huile/la jauge.

UTILISATION DE STABILISATEUR DE CARBURANT

Le carburant défraîchit, s'oxyde et se dégrade avec le temps. L'ajout de stabilisateur de carburant allonge la durée d'utilisation du carburant et permet d'éviter la formation de dépôts pouvant obstruer le circuit de carburant. Suivre les instructions du fabricant de stabilisateur de carburant pour le rapport stabilisateur/carburant correct.

- Mélanger le stabilisateur de carburant et le carburant avant de remplir le réservoir en utilisant un contenant à carburant ou tout autre récipient pour carburant approuvé et agiter légèrement pour bien mélanger.

NOTE : Pour maîtriser la quantité de stabilisateur de carburant à ajouter au moteur, toujours mélanger le stabilisateur de carburant et le carburant avant de remplir le réservoir plutôt qu'ajouter le stabilisateur de carburant directement dans le réservoir de carburant de la génératrice.

- Replacer et serrer le bouchon.
- Mettre le moteur en marche et le faire tourner pendant au moins 5 minutes pour que le stabilisateur pénètre dans tout le circuit de carburant.

CARBURANTS À BASE D'ÉTHANOL

AVIS :

Ne pas utiliser d'essence E15 ou E85 dans ce produit. Une telle utilisation représente une violation de la loi fédérale et endommagera l'appareil et annulera la garantie. Utiliser seulement de l'essence sans plomb ne contenant pas plus de 10 % d'éthanol.

AJOUT DE CARBURANT

Voir la figure 10.



DANGER :

Risque d'incendie et de blessures graves : Ne jamais retirer le capuchon du réservoir d'essence pendant que l'appareil fonctionne. Éteindre le moteur et laisser refroidir l'appareil pendant au moins cinq minutes. Retirer lentement le capuchon.

UTILISATION

AVERTISSEMENT :

L'essence et ses vapeurs sont extrêmement inflammables et explosives. Pour éviter blessures et dommages matériels, manipuler l'essence avec prudence. Garder à l'écart des sources d'allumage, manipuler en plein air uniquement, ne pas fumer lors de l'appoint de carburant et essuyer immédiatement tout carburant répandu.

Lors de l'appoint de carburant du générateur, vérifier que la machine se trouve sur une surface plane et horizontale. Si le moteur est très chaud, laisser le générateur refroidir pendant 5 minutes avant d'ajouter de l'essence. **TOUJOURS** faire l'appoint de carburant à l'extérieur.

- Mettre le robinet de carburant sur **ARRÊT (O)**.
- Retirer lentement le bouchon du réservoir de carburant.
- Remplir le réservoir de carburant à 25 mm (1 po) en dessous du haut du goulot du réservoir de carburant.
- Replacer et serrer le bouchon.

AVERTISSEMENT :

Toujours arrêter le moteur avant de faire le plein de carburant. Ne jamais retirer le bouchon du réservoir d'essence lorsque le moteur tourne ou est chaud. S'assurer que l'unité repose sur une surface plane, à niveau et de remplir seulement à l'extérieur. Si le moteur est chaud, laisser refroidir l'unité pendant au moins cinq (5) minutes avant d'ajouter de l'essence. Remettre immédiatement le bouchon du réservoir d'essence et le serrer fermement. S'éloigner d'au moins 9 m (30 pi) du point de ravitaillement avant de lancer le moteur. Ne pas fumer, et rester à l'écart des flammes vives et des étincelles ! Ne pas respecter ces instructions représente un risque d'incendie et de blessures graves.

NOTE : Toujours utiliser de l'essence sans plomb avec un indice d'octane de 86 ou plus. Ne jamais utiliser du carburant vieux, éventé ou contaminé et ne pas utiliser de mélange lubrifiant/carburant. Ne pas laisser la poussière ou l'eau pénétrer dans le réservoir de carburant. **Ne pas utiliser le carburant E85.**

AFFICHAGE NUMÉRIQUE

Voir la figure 11.

Appuyez sur le bouton de mode et relâchez-le pour parcourir les affichages suivants :

Tension (V) affiche la tension de fonctionnement du générateur.

Fréquence (F) affiche la fréquence en hertz à laquelle le générateur fonctionne.

Le **compteur de temps de fonctionnement/maintenance** affiche le temps écoulé depuis le début du fonctionnement du générateur. Le compteur est remis à zéro à chaque arrêt du générateur.

Lorsque le temps cumulé de fonctionnement du compteur atteint 25 heures, « P25 » s'affichera sur le compteur pour

signaler que le lubrifiant du moteur doit être changé après les 25 heures initiales de fonctionnement.

Lorsque le temps cumulé de fonctionnement du compteur atteint 50 heures, « P50 » s'affichera sur le compteur pour signaler que le filtre à air doit être nettoyé.

Lorsque le temps cumulé de fonctionnement du compteur atteint 100 heures, « P100 » s'affichera sur le compteur pour signaler que le filtre à carburant doit être nettoyé/changé, le filtre à air nettoyé et le lubrifiant du moteur changé.

DÉMARRAGE ÉLECTRIQUE

Ce modèle de générateur est offert avec des fonctions de démarrage électrique ou de démarrage à rappel. Évitez les démarrages prolongés car ils risquent d'endommager le moteur.

La batterie fournie en est une de type rechargeable au plomb étanche d'une charge nominale de 12 volts pouvant fonctionner dans n'importe quelle position sans risque de fuite. Elle est conforme aux règlements relatifs aux batteries hermétiques.

NOTE : Les nouvelles génératrices sont expédiées avec les connexions de batterie débranchées. Les bornes positive et négative doivent être branchées à la batterie avant que la génératrice puisse fonctionner.

Pour branchement initial de la batterie, consulter le **Connexion et débrancher de batterie.**

MISE EN MARCHÉ DU MOTEUR

Voir les figures 12 à 14.

AVIS :

Sur une surface à niveau, avec le moteur sur arrêt, vérifier le niveau d'huile avant chaque utilisation du générateur.

NOTE : Si l'emplacement de générateur n'est pas à niveau, l'unité peut ne pas démarrer ou peut s'arrêter durant le fonctionnement.

Cette génératrice est équipée d'une injection électronique. Le démarrage de la génératrice requiert une brève attente pour permettre au carburant de se déplacer à partir du réservoir.

- Débrancher toutes les charges du générateur.
- Ouvrir le robinet de carburant sur **ON (I)** (MARCHÉ).
- Pour démarrer le moteur à l'aide du démarrage électrique :
 - ① Mettre le commutateur du moteur à la position **OUVERT**.

- ② Attendre 30 secondes pour permettre au carburant de remplir la conduite.

NOTE : Le moteur ne démarrera pas tant que le carburant ne sera pas rendu à l'injecteur et qu'il n'aura pas atteint la bonne pression.

- ③ Glisser le bouton de verrouillage vers le bas et maintenir le bouton tout en poussant le commutateur du moteur à la position **START (OUVERT)**.

UTILISATION

NOTE : La batterie pourrait devoir être chargée avant le démarrage de la génératrice avec le commutateur de moteur ou le démarreur à rappel. Lorsque la génératrice est démarrée, la batterie se chargera pendant que l'appareil fonctionne. Une fois que la génératrice a été mise en marche, la charge de la batterie s'effectue pendant que l'unité fonctionne. Si l'interrupteur de moteur refuse de démarrer l'appareil alors que la batterie est entièrement chargée, vérifier le fusible de protection du circuit et, si nécessaire, le remplacer en suivant les instructions **Changer le circuit de fusible de charge pour la batterie** au chapitre *Entretien* de ce manuel.

- Pour démarrer le moteur à l'aide du démarreur à rappel :

① Mettre le commutateur du moteur à la position **OUVERT**.

② Attendre 30 secondes pour permettre au carburant de remplir la conduite.

NOTE : Le moteur ne démarrera pas tant que le carburant ne sera pas rendu à l'injecteur et qu'il n'aura pas atteint la bonne pression.

③ Tirer sur la poignée du démarreur jusqu'à ce que le moteur démarre.

NOTE : Ne pas laisser la poignée repartir brusquement en arrière après le démarrage. La ramener doucement à sa place d'origine.

- Laisser le moteur se réchauffer pendant 15 à 30 secondes, pousser l'étrangleur sur la position **RUN (MARCHE)**.

ARRÊT DU MOTEUR

Voir les figures 13 et 14.

Pour arrêter le moteur dans des conditions de fonctionnement normales :

- Retirer toute charge du générateur.
- Appuyer sur la partie inférieure du commutateur de manière à positionner le commutateur à la position « **OFF** » (**arrêt**) (**O**).
- Mettre le robinet de carburant sur **ARRÊT (O)**.

Pour arrêter le moteur en cas d'urgence :

- Appuyer sur la partie inférieure du commutateur de manière à positionner le commutateur à la position « **OFF** » (**arrêt**) (**O**).



AVERTISSEMENT :

Pendant le fonctionnement ou lors du rangement, allouez un espace libre de 0,9 m (3 pi) de chaque côté et au-dessus de la génératrice. Laisser refroidir l'appareil au moins 30 minutes avant de le ranger. La chaleur créée par le tuyau et les gaz d'échappement peut être suffisamment chaude pour causer des brûlures graves ou enflammer des objets combustibles.

ENTRETIEN

L'entretien normal, le remplacement ou la réparation des dispositifs du système antipollution doit être fait par un magasin de réparation ou un technicien qualifié possédant les pièces d'origine ou équivalentes. La garantie et les rappels pour réparations peuvent être faits par un centre de réparations autorisé; pour obtenir de l'aide, veuillez communiquer avec le service à la clientèle.



AVERTISSEMENT :

Avant d'inspecter, nettoyer ou entretenir l'équipement, couper le moteur, attendre que toutes les pièces en mouvement s'arrêtent, déconnecter le fil de la bougie et l'écarter de la bougie. Laisser la machine refroidir pendant environ 30 minutes avant de procéder à un entretien. Le non-respect de ces instructions peut entraîner des blessures graves ou des dégâts matériels.



AVERTISSEMENT :

Lors de la réparation, utiliser seulement les pièces de rechange recommandées ou équivalentes. Les réparations ou l'entretien effectués par une personne non qualifiée ou l'utilisation d'autres pièces représentent un risque de blessure ou de dommages matériels.

AVIS :

Inspecter périodiquement au complet le produit afin de s'assurer qu'aucune pièce (vis, écrous, boulons, chapeaux, etc.) n'est endommagée, manquante ou desserrée. Serrer solidement toutes les pièces de fixation et les chapeaux et ne pas utiliser le produit tant que toutes les pièces manquantes ou endommagées n'ont pas été remplacées. Veuillez communiquer avec le service à la clientèle ou un centre de réparations qualifié pour obtenir de l'aide.

ENTRETIEN GÉNÉRAL

Conserver le générateur dans un environnement propre et sec sans exposition à la poussière, la saleté, l'humidité ou des vapeurs corrosives. Ne pas laisser les événements de refroidissement du générateur s'obstruer avec des feuilles, de la neige, etc.

Ne pas utiliser un tuyau de jardinage pour nettoyer le générateur. De l'eau pénétrant dans le circuit de carburant ou d'autres pièces internes de l'unité peut causer des problèmes réduisant la durée de vie du générateur.

Pour nettoyer l'unité :

- Utiliser une brosse à poils doux et/ou un aspirateur pour détacher et retirer la saleté et les débris.

ENTRETIEN

- Nettoyer les événements à pression basse ne dépassant pas 25 psi.
- Essuyer les surfaces extérieures du générateur avec un chiffon humide.

INSPECTION/NETTOYAGE DU FILTRE À AIR

Voir la figure 15.

Pour assurer un fonctionnement correct et une longue vie utile, garder les filtres à air propres.

- Tourner le bouton en bas du couvercle du filtre à air pour le libérer. Retirer le couvercle et mettre de côté.
- Retirer les éléments du filtre à air.
- Si les éléments du filtre à air sont sales, les nettoyer avec de l'eau savonneuse chaude. Rincer et laisser sécher.
- Appliquer une légère couche d'huile moteur sur les éléments puis l'essorer.
- Remplacer l'élément dans le filtre à air.
- Remplacer le couvercle du filtre à air et resserrer les loquets pour le fixer.

NOTE : Ne pas faire tourner le générateur sans le filtre à air. Ceci entraînerait une usure rapide du moteur.

VIDANGE DE LE LUBRIFIANT MOTEUR

Voir la figure 16.

- Retirer le bouchon/la jauge d'huile.
- Placer un récipient sous la huiler le bouchon d'égout pour recueillir le lubrifiant vidangé.
- Dévisser et retirer la huiler le bouchon d'égout.
- Laisser le lubrifiant se vidanger complètement.

NOTE : Vidanger le lubrifiant pendant que le moteur est encore tiède mais pas brûlant. Le lubrifiant tiède s'écoule plus rapidement et plus complètement.



AVERTISSEMENT :

Ne pas changer le lubrifiant du moteur pendant qu'il est chaud. Un contact accidentel avec un lubrifiant pour moteur chaud peut provoquer des blessures graves.

- Réinstaller la huiler le bouchon d'égout et bien serrer.
- Remplir de lubrifiant en suivant les instructions de la section **Vérification/ajout de lubrifiant**. Pour connaître le volume de remplissage d'huile, consulter les **Fiche technique** au début du manuel ou le manuel fourni avec le moteur, si nécessaire.
- Réinstaller le bouchon/la jauge d'huile.

NOTE : Le lubrifiant usé doit être éliminé auprès d'un site approuvé. Voir le détaillant d'huile local pour plus d'informations.

ENTRETIEN DE LA BOUGIE

Voir la figure 17.

L'écartement de la bougie doit être vérifié et la bougie doit être exempte de dépôts pour que le moteur fonctionne correctement. Pour vérifier :

- Repérage et retirer les quatre vis de la partie inférieure du capot moteur. Retirer le couvercle et le mettre à l'écart.
 - Retirer le bouchon de la bougie.
 - Nettoyer la saleté autour de la base de la bougie.
 - Retirer la bougie à l'aide de la clé fournie (non inclus).
 - Inspecter la bougie pour vérifier qu'elle n'est pas endommagée et la nettoyer avec une brosse métallique avant de la réinstaller. Si l'isolateur est fissuré ou écaillé, remplacer la bougie. Pour remplacer la bougie, consulter les **Fiche technique** au début du manuel ou le manuel fourni avec le moteur, si nécessaire.
 - Mesurer l'écartement de la bougie. L'écartement correct est de 0,7-0,8 mm (0,028-0,031 po). Pour augmenter l'écartement, si nécessaire, courber avec précaution l'électrode de terre (supérieure). Pour réduire l'écartement, taper doucement l'électrode de terre sur une surface dure.
 - Installer la bougie ; la visser à la main pour éviter de foirer le filetage.
 - Serrer avec la clé pour comprimer la rondelle. Si la bougie est neuve, utiliser 1/2 tour pour comprimer la rondelle. Si elle est usée, utiliser 1/8 à 1/4 de tour pour comprimer la rondelle.
- NOTE :** Une bougie mal serrée devient très chaude et peut endommager le moteur.
- Réinstaller les protecteurs de bougie.
 - Réinstaller la couverture de moteur. Visser fermement les vis.

NETTOYAGE DE L'ORIFICE D'ÉCHAPPEMENT ET DU SILENCIEUX

Selon le type de carburant utilisé, le type et la quantité de lubrifiant utilisée et/ou les conditions d'utilisation, l'orifice d'échappement et le silencieux peuvent être obstrués par de la calamine. Si l'appareil fonctionnant avec de l'essence semble avoir perdu de la puissance, cette calamine doit être éliminée pour restaurer le fonctionnement normal. Il est vivement recommandé de confier ce travail à un technicien qualifié.

ENTRETIEN

PARE-ÉTINCELLES

Voir la figure 18.

AVIS :

Ce produit est équipé d'un pare-étincelles qui a été évalué par le Service forestier des États-Unis; cependant, les utilisateurs du produit doivent respecter les réglementations locales et gouvernementales de lutte contre l'incendie. Consulter les autorités appropriées. Communiquer avec le service à la clientèle ou un centre de réparations qualifié pour acheter un pare-étincelles de rechange.

- Inspecter le pare-étincelles pour des fissures ou des trous. Nettoyer ou remplacer au besoin.
- Au besoin, utiliser une brosse (non fournie) pour enlever les dépôts de calamine sur l'écran du pare-étincelles.

VIDANGE DU RÉSERVOIR DE CARBURANT

Voir les figures 19 à 20.

Afin de prévenir les dépôts de gommages dans le circuit de carburant, vidanger le carburant du réservoir avant de le remiser.

- Mettre le contacteur du moteur sur **ARRÊT (O)**.
- Mettre le robinet de carburant sur **ARRÊT (O)**.
- Retirer la conduite de carburant du raccord à tuyau cannelé en serrant les extrémités de l'attache et en glissant la conduite pour la retirer.
- Placer la conduite de carburant avec le robinet de carburant dans un récipient suffisamment large pour contenir le carburant vidangé.
- Mettre le robinet de carburant sur **MARCHE (I)**.
- Lorsque le carburant est vidangé du réservoir, fermer le robinet de carburant et réinstaller solidement la conduite sur le raccord à tuyau cannelé.

REMPACEMENT DU FILTRE À ESSENCE

Voir la figure 21.

Parfois, le filtre à essence peut s'encrasser, et c'est pourquoi il est nécessaire de le remplacer. Pour se procurer un filtre à essence de remplacement, veuillez communiquer avec le service à la clientèle ou un centre de réparations qualifié.

NOTE : Il est nécessaire de vider le réservoir à essence avant de remplacer le filtre à essence. Au besoin, faire fonctionner l'unité jusqu'à ce que le réservoir soit vide, ou examiner le filtre avant le remplissage.

Pour remplacer :

- Régler la vanne de carburant à la position « **OFF** » (Arrêt).
- Vidanger complètement le réservoir de carburant.
- Retirer les deux conduites de carburant du filtre usée en appuyant sur les extrémités de l'attaches et en glissant les conduites pour la retirer.

- Réinstaller les conduits à essence sur le nouveau filtre à essence.
- Tirer sur les conduits pour s'assurer qu'ils sont fixés solidement.
- Régler la vanne de carburant à la position « **ON** » (Marche).

TRANSPORT

- Mettre le contacteur du moteur sur **ARRÊT (O)**.
- Débrancher l'équipement qui est relié à la génératrice.
- Mettre le robinet de carburant sur **ARRÊT (O)**.
- Laisser refroidir pendant 30 minutes avant de transporter l'outil. S'assurer que le moteur et l'échappement de l'outil sont refroidis.
- Pour sécurité, insérer le goupilles pour obtenir la poignées avant de transporter.
- Incliner la machine vers soi pour la mettre en équilibre sur les roues puis la faire rouler jusqu'à l'endroit désiré.
- Pour le transport à bord d'un véhicule, vider le réservoir de carburant, fermer le robinet à essence et arrimer solidement la génératrice.
- Installer une feuille de plastique ou un coussinet absorbant sous la génératrice pour recueillir toutes les gouttes d'essence ou de lubrifiant lors du rangement ou du transport.

TÉMOIN D'ANOMALIE LUMINEUX

Voir la figure 22.

Le témoin lumineux à DEL du panneau de contrôle s'illuminera pour indiquer une anomalie dans le système d'injection du moteur. Veuillez communiquer avec le service à la clientèle ou un centre de réparations qualifié pour obtenir de l'aide.

CHANGER LE CIRCUIT DE FUSIBLE DE CHARGE POUR LA BATTERIE

Voir la figure 23.

AVIS :

Ne pas utiliser un fusible à ampérage plus élevé que ce qui est indiqué. Autrement, le produit pourrait surchauffer.

- Ouvrir le porte-fusible.
- Enlevez le fusible grillé en tirant tout droit.
- Insérer le fusible neuf de 7 A lame type.
- Fermer le couvercle du porte-fusible.

ENTRETIEN

UTILISATION DU MAINTENEUR DE BATTERIE

Voir la figure 24.

Lorsque le générateur est entreposé, le mainteneur de batterie peut être branché afin de garder la batterie complètement chargée et prête à l'emploi.

NOTE : Le mainteneur de batterie fourni ne doit être utilisé qu'avec une batterie au plomb-acide de 12V 15AH/ 20 HR, modèle RT12150 fournie avec cette génératrice.

- Brancher le mainteneur de batterie au bloc d'alimentation. S'assurer que l'alimentation est de 120 V, c.a. (courant résidentiel standard), 60 Hz.
- Fixer l'autre bout du mainteneur de batterie au câble fixé à la batterie. Le témoin rouge sur la fiche s'allumera pour indiquer que la batterie se recharge. Pendant la charge, la batterie chauffe légèrement. Ceci est normal et n'est pas l'indication d'un problème. Lorsque la batterie est complètement chargée, la lumière rouge devient vert.
NOTE : Si le témoin ne s'allume pas, le fusible sur le câble de charge a peut-être besoin d'être remplacé. Vérifier le fusible et le remplacer au besoin.
- Débrancher le mainteneur de batterie avant de mettre le générateur en marche. Remettre le couvercle sur le câble de charge lorsqu'il n'est pas utilisé.

RETRAIT ET PRÉPARATION DU PILES POUR LE RECYCLAGE



Pour préserver les ressources naturelles, les piles doivent être recyclées ou éliminées selon une méthode appropriée.

Ce produit utilise la pile acide de plomb. Les réglementations locales ou gouvernementales peuvent interdire de jeter les piles dans les ordures ménagères.

Consulter les autorités locales compétentes pour les options de recyclage et/ou l'élimination.



AVERTISSEMENT :

Après avoir retiré la pile, couvrir ses bornes avec un ruban adhésif de qualité industrielle. Ne pas essayer de démonter ou détruire la pile, ni de retirer des composants quels qu'ils soient. La pile de plomb doit être recyclée ou doit être liquidée convenablement. Ne jamais toucher les deux bornes avec des objets en métal ou une partie du corps, car cela pourrait créer un court-circuit. Garder hors de la portée des enfants. Le non-respect de ces mises en garde peut résulter en un incendie et/ou des blessures graves.

REMISAGE

Lors de la préparation du générateur pour le remisage, laisser l'appareil refroidir pendant 30 minutes puis suivre les instructions ci-dessous.

DURÉE DU REMISAGE	AVANT LE REMISAGE
Moins d'2 mois	■ Vidanger l'essence du réservoir et la disposer dans un récipient adapté selon les règlements nationaux et locaux en vigueur.
2 mois à 1 an	■ Vidanger l'essence du réservoir et la disposer dans un récipient adapté selon les règlements nationaux et locaux en vigueur.
1 an ou plus	■ Retirer la bougie. ■ Vidanger l'essence du réservoir et la disposer dans un récipient adapté selon les règlements nationaux et locaux en vigueur. ■ Placer une cuillère à soupe de lubrifiant moteur dans le cylindre de la bougie. Faire tourner lentement le moteur avec le cordon pour répartir le lubrifiant. ■ Réinstaller la bougie. ■ Vidanger le lubrifiant moteur. Après le remisage : ■ Remplir d'essence fraîche.

NOTE : Si l'essence est entreposée dans un contenant adéquat pour une utilisation ultérieure, s'assurer qu'un stabilisateur de carburant est ajouté à l'essence conformément aux instructions de son fabricant.

ENTRETIEN

CALENDRIER D'ENTRETIEN

NOTE : Si un autre manuel du moteur est fourni avec cette génératrice, veuillez respecter le calendrier d'entretien présenté dans le manuel du moteur au lieu de suivre les instructions d'entretien décrites ci-dessous.

	Avant chaque utilisation	Après le 1er mois ou 25 heures de fonctionnement	Toutes les 100 heures de fonctionnement	Toutes les 200 heures de fonctionnement	Toutes les 240 heures de fonctionnement	Toutes les 300 heures de fonctionnement	Toutes les 400 heures de fonctionnement	Toutes les 480 heures de fonctionnement	Toutes les 500 heures de fonctionnement
Vérification du lubrifiant	■								
Changement du lubrifiant ²		■	■	■	■	■	■	■	■
Vérification du filtre à air	■								
Changement du filtre à air ²					■			■	
Vérification et ajustement de la bougie d'allumage			■	■		■	■		
Remplacement de la bougie d'allumage ²					■			■	
Vérification et nettoyage du pare-étincelles			■						
Vérification et ajustement du ralenti		■			■			■	
Vérification et ajustement du jeu de soupape ^{1,2}					■			■	
Vérification et ajustement de la tension du boulon à tête ^{1,2}					■			■	
Filtre à carburant	Inspection						Remplacement		
Recharger la batterie (si présent)			■						

1. Ceci ne doit être effectué que par un centre de réparations qualifié.

2. Consulter le manuel du moteur pour prendre connaissance du calendrier d'entretien de cet article.

NOTE : L'entretien doit être effectué plus fréquemment lorsque le génératrice est utilisé dans des zones poussiéreuses. Lorsque le génératrice a dépassé les valeurs maximum indiquées dans le tableau, l'entretien doit continuer à être effectué selon les intervalles ou aux fréquences indiqués.

DÉPANNAGE

PROBLÈME	CAUSE POSSIBLE	SOLUTION
Le moteur ne démarre pas.	<p>La batterie n'est pas chargée.</p> <p>Le témoin d'anomalie est allumé.</p> <p>Le contacteur du moteur est sur ARRÊT.</p> <p>Pas de carburant.</p> <p>Carburant trop vieux ou présence d'eau dans le carburant.</p> <p>Niveau de lubrifiant bas.</p> <p>Le robinet de carburant est FERMÉ.</p> <p>Bougie défectueuse, encrassée ou mal écartée.</p> <p>Moteur remisé sans traitement ou vidange de l'essence, ou plein fait avec un mauvais carburant.</p> <p>Le filtre à carburant est sale.</p>	<p>Charger la batterie.</p> <p>Contacteur le centre de réparations qualifié.</p> <p>Mettre le contacteur du moteur sur MARCHÉ.</p> <p>Remplir le réservoir de carburant.</p> <p>Vidanger l'ensemble du système et remplir de carburant frais.</p> <p>Le moteur est équipé d'un arrêt en cas de bas niveau de lubrifiant. Remplir le réservoir, si le niveau de lubrifiant du moteur est trop bas, avant de démarrer la génératrice. Vérifier le niveau de lubrifiant moteur et faire l'appoint si nécessaire.</p> <p>Mettre le robinet de carburant sur MARCHÉ.</p> <p>Remplacer la bougie.</p> <p>Vidanger le carburant. Remplir d'essence fraîche.</p> <p>Remplacer filtre à essence ou contacter un centre de réparations qualifié.</p>
Moteur difficile à démarrer.	<p>Eau dans le carburant.</p> <p>Étincelle de bougie faible.</p>	<p>Vidanger l'ensemble du système et remplir de carburant frais.</p> <p>Remplacer la bougie ou contacter un centre de réparations qualifié.</p>
Le moteur manque de puissance.	<p>Filtre à air encrassé.</p> <p>Le témoin d'anomalie est allumé.</p> <p>Moteur remisé sans traitement ou vidange de l'essence, ou plein fait avec un mauvais carburant.</p>	<p>Vérifier le élément du filtre à air. Nettoyer ou remplacer selon le besoin.</p> <p>Contacteur le centre de réparations qualifié.</p> <p>Vidanger le carburant. Remplir d'essence fraîche.</p> <p>Si le problème continue, contacter le centre de réparations qualifié.</p>
La caractéristique de démarrage électrique ne fonctionne pas.	<p>Les câbles de la batterie ne sont pas raccordés.</p> <p>La batterie n'est pas chargée.</p> <p>Circuit de fusible de charge pour la batterie grillé.</p>	<p>Raccorder les câbles de la batterie.</p> <p>Charger la batterie.</p> <p>Remplacer le circuit de fusible de charge pour la batterie.</p>
La prise c.a. ne fonctionne pas.	<p>Disjoncteur débranché.</p> <p>Le disjoncteur de fuite à la terre est déclenché.</p> <p>L'appareil branché est défectueux.</p>	<p>Réinitialisez à nouveau le disjoncteur c.a.</p> <p>Réinitialiser le disjoncteur de fuite de terre.</p> <p>Essayer un autre article.</p>
Le génératrice émet un cognement ou un cliquettement.	<p>Un cognement ou un cliquettement sous une lourde charge est normal. Cependant, s'il a lieu sous une charge normale à un régime moteur régulier, le problème peut provenir de la marque de carburant utilisée.</p>	<p>Choisir une autre marque et s'assurer que l'indice d'octane est supérieur ou égal à 86. Si le problème continue, contacter le centre de réparations qualifié.</p>

Si le problème persiste après avoir essayé les solutions ci-dessus, communiquer avec le service à la clientèle ou un centre de réparations qualifié pour obtenir de l'aide.

AVIS :

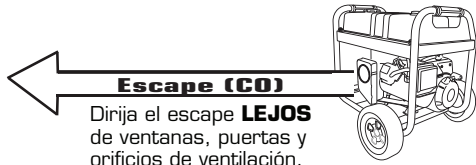
Le propriétaire de cet équipement est tenu d'effectuer les entretiens requis indiqués dans la section *Entretien*. Il est recommandé de conserver tous les reçus d'entretien de votre équipement. La négligence ou l'oubli de procéder à l'entretien requis représente un risque d'augmentation des émissions, de diminuer le rendement énergétique, de nuire à la performance, créer des bris irréparables du moteur et de annuleront la garantie.

Ce produit est accompagné d'une garantie limitée de trois (3) ans pour utilisation personnel, familiales ou domestiques (90 jours pour utilisation affaires ou commerciaux). Pour obtenir les détails de la garantie, visiter le site www.ryobitools.com ou appeler (sans frais) au 1-800-860-4050.

Para registrar su producto de Ryobi, por favor visita: www.ryobitools.com

**UBIQUE EL GENERADOR A UNA DISTANCIA DE POR LO MENOS 6 M (20 PIES)*
PARA REDUCIR EL RIESGO DE QUE EL MONÓXIDO DE CARBONO
INGRESE EN LA CASA**

** Distancia mínima recomendada por el Departamento de Salud y Servicios Humanos y por los Centros para el Control y la Prevención de Enfermedades de los Estados Unidos (www.cdc.gov/co). Las condiciones particulares de su casa o del viento puede requerir una distancia adicional.*



**← MANTEGA UNA DISTANCIA DE
POR LO MENOS 6 M (20 PIES)* →**

Utilícelo únicamente **EN EL EXTERIOR**
y **ALEJADO** de ventanas, puertas y
orificios de ventilación.



⚠ ADVERTENCIA:

CONEXIÓN A TIERRA DEL GENERADOR

Si este generador se utiliza **únicamente** con aparatos conectados con cable y enchufe, el Código Eléctrico Nacional no exige que la unidad esté puesta a tierra. Sin embargo, si se usa el generador de otra forma, podría ser necesario ponerlo a tierra para reducir el riesgo de descargas eléctricas o electrocución. Antes de usar el generador, consulte a un electricista calificado, un inspector eléctrico o un organismo local que tenga jurisdicción para saber si es necesario ponerlo a tierra en su situación.

Si es necesario poner a tierra la unidad, deben utilizarse la tuerca y el terminal de conexión a tierra del bastidor para conectar el generador a una fuente apropiada de conexión a tierra. La conexión a tierra debe realizarse con alambre calibre N° 8. Conecte el terminal del alambre de conexión a tierra entre la arandela y la tuerca, y apriete firmemente la tuerca. Conecte el otro extremo del alambre firmemente a una fuente apropiada de conexión a tierra que esté en contacto con el suelo a lo largo de una distancia de al menos 2,4 m (8 pies).

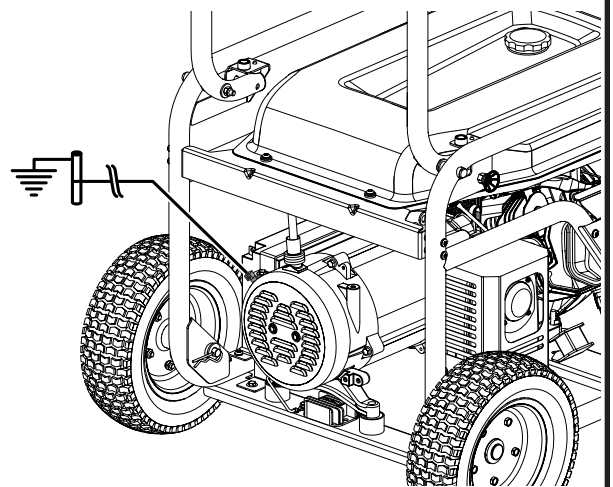
El Código Eléctrico Nacional especifica varias maneras prácticas para establecer una buena fuente de conexión a tierra. Si se utiliza una barra de acero o de hierro, éste debe ser de 15,9 mm (5/8 pulg.) de diámetro, y si se utiliza una barra no ferrosa, ésta debe ser de 13 mm (1/2 pulg.) de diámetro como mínimo y estar listada como material adecuado para conexión a tierra. Si encuentra un estrato rocoso antes de llegar a una profundidad de 2,4 m (8 pies), clave la jabalina de puesta a tierra a un ángulo de a lo sumo 45°. Si aun así la jabalina se encuentra con el estrato rocoso, se la puede enterrar en una trinchera de al menos 75 cm (30 pulg.) de profundidad. En cualquier caso, el extremo superior de la jabalina debe estar al ras del suelo (o por debajo del rasante) o protegido de posibles daños físicos por otro medio.

Todas las herramientas eléctricas y aparatos alimentados por este generador deben conectarse apropiadamente a tierra mediante el uso de un tercer alambre o tener un diseño con "doble aislamiento".

Se recomienda:

1. Usar dispositivos eléctricos con clavija de tres patillas conectada a tierra.
2. Para asegurar la continuidad de la protección a tierra del generador al dispositivo, utilice un cordón de extensión para uso a la intemperie con un receptáculo de tres orificios en un extremo y una clavija de tres patillas en el otro.

Revise y cumpla con todas las reglas federales, estatales y locales relevantes en relación con las especificaciones de conexión a tierra. Consulte a un electricista calificado o técnico de servicio si no ha comprendido completamente las instrucciones de conexión a tierra o si no está seguro si el generador está conectado a tierra correctamente.



INSTRUCCIONES DE SEGURIDAD IMPORTANTES

PELIGRO:

Monóxido de carbono. Usar un generador en el interior LO MATARÁ EN POCOS MINUTOS.

Los gases de escape del generador contienen niveles altos de monóxido de carbono (CO), un gas venenoso que no puede verse ni olerse. Si puede oler los gases de escape del generador, está respirando CO. Pero incluso si no puede oler los gases de escape, es posible que esté respirando CO.

- Nunca use un generador dentro de su hogar, garaje, sótano, ni demás espacios parcialmente encerrados. En dichos espacios, pueden acumularse niveles mortales de monóxido de carbono. Usar un ventilador o abrir puertas y ventanas NO proporciona suficiente aire fresco.
- SÓLO utilice el generador al aire libre y lejos de ventanas, puertas y respiraderos abiertos. Estas aberturas pueden atraer los gases de escape del generador.

Incluso si utiliza el generador correctamente, el CO puede ingresar en su hogar. SIEMPRE utilice una alarma de CO de pilas o con pilas de respaldo en su hogar.

Si comienza a sentirse descompuesto, mareado o débil luego de que el generador estuvo funcionando, trasládese adonde haya aire fresco INMEDIATAMENTE. Vea a un doctor. Puede sufrir intoxicación por monóxido de carbono.

ADVERTENCIA:

Lea y comprenda todas las instrucciones. El incumplimiento de cualquiera de las instrucciones siguientes puede causar electrocución, incendio o intoxicación por monóxido de carbono, lo cual puede causar la muerte o lesiones graves.

ADVERTENCIA:

En ciertas aplicaciones, el Reglamento Nacional de Electricidad exige que el generador esté conectado a una tierra aprobada. Antes de utilizar la terminal de tierra, consulte a un electricista calificado, inspector de instalaciones eléctricas u organismo gubernamental de la localidad en lo referente a las reglas y disposiciones relacionadas con el uso deseado del generador.

GUARDE ESTAS INSTRUCCIONES

Este manual contiene importantes instrucciones, que se deben seguir durante la instalación y las actividades de mantenimiento del generador y las baterías.

- No conecte la unidad al sistema eléctrico de un edificio a menos que el generador y el interruptor de transferencia se hayan instalado correctamente y que un electricista calificado haya verificado la salida de energía eléctrica. La conexión debe aislar la corriente del generador del servicio público y debe cumplir con todas las leyes y los códigos eléctricos pertinentes.
- No permita que utilicen esta unidad niños ni personas carentes de la debida instrucción para su manejo.

- No haga arrancar o funcionar el motor en un espacio confinado, de edificio, cerca de ventanas abiertas, o en otro área sin ventilación donde se puedan recolectar las emanaciones de monóxido de carbono. El monóxido de carbono, un gas incoloro, inodoro y sumamente peligroso, puede causar la pérdida de la conciencia o la muerte.
- Mantenga a todos los circunstantes, niños y animales por lo menos a 3 m (10 pies) de distancia.
- Use botas o zapatos robustos y secos. No utilice la unidad estando descalzo.
- No utilice este generador cuando se encuentre fatigado, enfermo o bajo los efectos de drogas, alcohol o medicamentos.
- Mantenga todas las partes del cuerpo alejadas de toda pieza móvil y superficie caliente de la unidad.
- No toque cables ni receptáculos desprovistos de aislamiento.
- No utilice el generador con cordones de corriente gastados, deshilachados, pelados o dañados de cualquier forma.
- Antes de guardar la unidad, deje que se enfríe el motor durante 30 minutos y retire el combustible de la unidad.
- No utilice or guarde el generador en la lluvia, nieve o tiempo húmedo.
- Guarde el generador en un lugar bien ventilado y con el tanque de combustible vacío. El combustible no se debe guardar cerca del generador.
- Antes de transportar la unidad en un vehículo, vacíe el tanque de combustible, cierre la válvula del combustible e inmovilice aquélla.
- Coloque una lámina de plástico o una almohadilla absorbente debajo del generador para atrapar las gotas de combustible o lubricante cuando lo almacene o lo transporte.
- Para reducir el riesgo de incendio o de lesiones por quemadura, maneje con cuidado el combustible. Es sumamente inflamable.
- No fume mientras manipula el combustible.
- Almacene el combustible en un recipiente aprobado para gasolina.
- Coloque una lámina de plástico o una almohadilla absorbente debajo del generador para atrapar las gotas de combustible o lubricante cuando lo transporte.
- Afloje la tapa del tanque de combustible para aliviar la presión y para evitar que se escape combustible por la tapa.
- Después de reabastecer de combustible la unidad ponga la tapa y apriétela firmemente.
- Limpie todo el combustible que se haya derramado de la unidad.
- Nunca intente en ninguna circunstancia eliminar el combustible derramado quemándolo.
- Los generadores vibran durante el uso normal. Durante y después del uso del generador, inspeccione el generador, así como los cordones de extensión y los cordones de corriente conectados a éste, para ver si tienen daños causados por la vibración. Deben repararse o reemplazarse los artículos dañados, según sea necesario. No use enchufes ni cordones que muestren señales de daño, como roturas o agrietamientos en el aislamiento, o daño en las espigas.

INSTRUCCIONES DE SEGURIDAD IMPORTANTES

- Los generadores fijos instalados de manera permanente son la mejor alternativa para abastecer de electricidad al hogar durante los cortes de energía. Incluso los generadores portátiles que están conectados correctamente pueden sobrecargarse. De esta manera, los componentes del generador pueden recalentarse o exigirse demasiado, lo que podría producir una falla en el generador.
- Use únicamente repuestos y accesorios recomendados o equivalentes y siga las instrucciones descritas en la

sección de *Mantenimiento* de este manual. El empleo de piezas diferentes o el incumplimiento de las instrucciones de mantenimiento puede significar un riesgo de descarga eléctrica o de lesiones.

- Mantenga la unidad según las instrucciones de mantenimiento señaladas en este manual del operador.
- Inspeccione cada vez la unidad antes de usarla para ver si tiene tornillos flojos, fugas de combustible, etc. Reemplace toda pieza dañada.

REGLAS DE SEGURIDAD ESPECÍFICAS



PELIGRO:

Riesgo de incendios y lesiones por quemaduras: Nunca retire la tapa de combustible mientras esté encendida la unidad. Apague el motor y deje enfriar la unidad durante al menos cinco minutos. Retire la tapa lentamente.



ADVERTENCIA:




Cuando este generador se utiliza para abastecer el sistema de cableado de un edificio: un electricista calificado debe instalar el generador, que debe conectarse a un interruptor de transferencia como un sistema derivado independiente, de conformidad con el Reglamento Nacional de Electricidad (NFPA 70). El generador se conectará a través de un interruptor de transferencia que controla todos los conductores, excepto el conductor de conexión a tierra del equipo. El bastidor del generador debe conectarse a un electrodo de conexión a tierra aprobado. Si no se aísla el generador de las líneas de alto voltaje puede causarse la muerte o lesiones a los trabajadores de dichas líneas.

- No utilice este generador para suministrar energía a dispositivos de soporte vital o equipos médicos de emergencia.
- Este generador tiene un punto neutro conectado a tierra. Esto significa que el conductor neutro está conectado por vías eléctricas al marco de la máquina.
- Siempre use un detector de monóxido de carbono de baterías al utilizar el generador. Si comienza a sentirse mal, mareado o débil al estar utilizando el generador, apáguelo y respire aire fresco de inmediato. Vea a un doctor. Puede sufrir intoxicación por monóxido de carbono.
- Coloque el generador en una superficie estable horizontal, con una pendiente no mayor de 4°.
- Utilice aire libre la unidad en un área bien ventilada e iluminada, aislada de las áreas de trabajo para evitar la interferencia del ruido.
- Si se utiliza el generador en condiciones húmedas, puede causarse una electrocución. Mantenga seca la unidad.
- Mantenga el generador a una distancia mínima de 0,9 m (3 pies) de todo tipo de material combustible.
- No utilice el generador cerca de materiales peligrosos.
- No utilice el generador en una estación de abastecimiento de gasolina o gas natural.











- No toque el silenciador ni el cilindro durante el funcionamiento de la unidad ni inmediatamente después; están CALIENTES y causan lesiones por quemadura.
- No permita que se derrame el tanque del generador al abastecerlo de gasolina. Llénelo hasta una altura de 25,4 mm (1 pulg.) abajo del cuello del tanque de gasolina para permitir la expansión del combustible. Revise el orificio de ventilación del interior del tanque de combustible para ver si tiene basura. No bloquee el respiradero.
- No fume mientras abastece de gasolina el generador.
- Apague el motor y déjelo enfriar durante cinco minutos antes de agregar gasolina o lubricante al generador.
- No retire la varilla de nivel de lubricante ni la tapa del tanque del combustible mientras esté funcionando el motor.
- Preste atención en particular a todas las etiquetas de seguridad adheridas al generador.
- En todo momento mantenga a los niños a una distancia mínima de 3 m (10 pies) del generador.
- La unidad funciona mejor a una temperatura entre -5 y 40 °C (23 y 104 °F) con una humedad relativa de 90% o menos.
- El requerimiento de voltaje y frecuencia operativa de todos los equipos electrónicos debe comprobarse antes de enchufarlos a este generador. Pueden ocurrir daños si el equipo no está diseñado para operar dentro de una variación de voltaje de +/-10% y una variación de frecuencia de +/-3 hz de los valores nominales que aparecen en la placa de identificación del generador. A fin de evitar daños, siempre tenga una carga adicional enchufada al generador en caso de usarse equipos de estado sólido (tales como un aparato de televisión). También podría resultar necesario un acondicionador de la línea eléctrica para algunas aplicaciones; por ejemplo, con una computadora. También podría resultar necesario un acondicionador de la línea eléctrica para algunas aplicaciones de equipo de estado sólido.
- Cuando no esté utilizándose el batería, manténgalo lejos de otros objetos metálicos como clips, monedas, llaves, clavos, tornillos y otros objetos metálicos pequeños que puedan establecer conexión entre ambas terminales. Establecer una conexión directa entre las dos terminales de las baterías puede causar quemaduras o incendios.
- Para usarse sólo en el exterior.
- Guarde estas instrucciones. Consúltelas con frecuencia y empléelas para instruir a otras personas que puedan utilizar este producto. Si presta a alguien esta producto, facilítele también las instrucciones.

SÍMBOLOS

Las siguientes palabras de señalización y sus significados tienen el objeto de explicar los niveles de riesgo relacionados con este producto.

SÍMBOLO	SEÑAL	SIGNIFICADO
	PELIGRO:	Indica una situación peligrosa, la cual, si no se evita, causará lesiones graves o mortales.
	ADVERTENCIA:	Indica una situación peligrosa, la cual, si no se evita, podría causar lesiones graves o mortales.
	PRECAUCIÓN:	Indica una situación peligrosa, la cual, si no se evita, podría causar lesiones menores o leves.
	AVISO:	(Sin el símbolo de alerta de seguridad) Indica la información que se considera importante, pero no relacionada con lesiones potenciales (por ej. en relación a daños a la propiedad).

Es posible que se empleen en este producto algunos de los siguientes símbolos. Le suplicamos estudiarlos y aprender su significado. Una correcta interpretación de estos símbolos le permitirá utilizar mejor y de manera más segura el producto.

SÍMBOLO	NOMBRE	DENOMINACIÓN / EXPLICACIÓN
	Alerta de seguridad	Indica un peligro posible de lesiones personales.
	Lea manual del operador	Para reducir el riesgo de lesiones, el usuario debe leer y comprender el manual del operador antes de usar este producto.
	Alerta de condiciones húmedas	No exponga la unidad a la lluvia ni la use en lugares húmedos.
	Descarga eléctrica	Si no se usa la unidad en condiciones secas y no se observan prácticas seguras de trabajo, puede producirse una descarga eléctrica.
	Emanaciones tóxicas	Con el funcionamiento del generador se emite monóxido de carbono, un gas tóxico incoloro e inodoro. Si se inhala monóxido de carbono puede causarse náusea, desmayo o la muerte.
	Fuego / Explosión	El combustible y los vapores del mismo son extremadamente inflamables y explosivos. El fuego o una explosión pueden causar quemaduras graves e incluso la muerte.
	Superficie caliente y gases de escape	Para reducir el riesgo de lesiones corporales o daños materiales evite tocar toda superficie caliente y no coloque partes del cuerpo en la trayectoria de los gases de escape.
	Peligro al levantar	Para reducir el riesgo de lesiones serias, evite intentar levantar el generador usted solo.
	Conexión a tierra	Consulte a un electricista de la localidad para determinar los requisitos de conexión a tierra antes de utilizar la unidad.
	Símbolo de reciclado	Este producto contiene baterías de plomo-ácido (Pb). Es posible que algunas leyes municipales, estatales o federales prohíban desechar las baterías de níquel-cadmio en la basura normal. Consulte a las autoridades reguladoras de desechos para obtener información en relación con las alternativas de reciclado y desecho disponibles.

SÍMBOLOS










Es posible que se empleen en este producto algunos de los siguientes símbolos. Le suplicamos estudiarlos y aprender su significado. Una correcta interpretación de estos símbolos le permitirá utilizar mejor y de manera más segura el producto.

SÍMBOLO	NOMBRE	DENOMINACIÓN / EXPLICACIÓN
V	Voltios	Voltaje
A	Amperios	Corriente
Hz	Hertz	Frecuencia (ciclos por segundo)
W	Watt	Potencia
hrs	Horas	Tiempo
gal	Galón	Volumen
qt	Cuarto	Volumen

ETIQUETAS DE SEGURIDAD




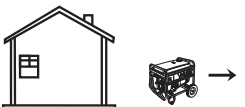


La siguiente información puede encontrarse en el generador. Para su propia seguridad, le sugerimos estudiar y entender todas la etiquetas antes de poner marcha el generador.

Si se desprende de la unidad cualquiera de las etiquetas o se vuelven ilegibles, comuníquese con el servicio al cliente o centro de servicio calificado para obtener un reemplazo.

 DANGER	 DANGER	 PELIGRO
 <p>You WILL be KILLED or SERIOUSLY HURT if you do not follow the Operator's Manual instructions.</p> <p>Ne pas procéder de la manière décrite dans ce Manuel d'utilisation entraînera des BLESSURES GRAVES voire la MORT.</p> <p>SE MATARÁ o LESIONARÁ GRAVEMENTE si no sigue las instrucciones del Manual del operador.</p>	 <p>Exhaust contains poisonous carbon monoxide gas that can cause unconsciousness or DEATH. Operate in well ventilated, outdoor areas away from open windows or doors.</p> <p>L'échappement contient le gaz monoxyde de carbone toxique qui peut causer l'inconscience ou la MORT. Fonctionner dans les secteurs bien ventilés et extérieurs loin d'ouvre des fenêtres ou des portes.</p> <p>El escape contiene gas venenoso de monóxido de carbono que puede causar pérdida del conocimiento o MUERTE. Opere en áreas exteriores bien ventiladas lejos de puertas o ventanas abiertas.</p>	 <p>Do not expose to rain or use in damp locations.</p> <p>Ne pas exposer à la pluie ou l'humidité.</p>
 <p>Risk of fire. Do not add fuel while the product is operating.</p> <p>Risque d'incendie. Ne pas ajouter de carburant pendant l'utilisation de l'appareil.</p> <p>Riesgo del incendio. No agregue combustible cuando el producto esté funcionando.</p>	 <p>Generator is a potential source of electric shock. Do not expose to moisture, rain or snow. Do not operate with wet hands or feet.</p> <p>Le générateur est une source potentielle de chocs électriques. Ne pas exposer à l'humidité, la pluie ou la neige. Ne pas utiliser avec les mains ou les pieds mouillés.</p> <p>El generador es una fuente de descarga eléctrica. No lo exponga a humedad, la lluvia, ni a la nieve. No opere con manos o pies húmedos.</p>	 <p>Do not expose to rain or use in damp locations.</p> <p>Ne pas exposer à la pluie ou l'humidité.</p>

940654254-03

- SE MATARÁ o LESIONARÁ GRAVEMENTE si no sigue las instrucciones del Manual del operador.
- Riesgo de incendio. No agregue combustible cuando el producto esté funcionando.
- El generador es una fuente potencial de descarga eléctrica. No lo exponga a humedad, la lluvia ni a la nieve. No opere con manos o pies húmedos.
- El escape contiene gas venenoso de monóxido de carbono que puede causar pérdida del conocimiento a la MUERTE. Opere en áreas exteriores bien ventiladas lejos de puertas o ventanas abiertas.
- No exponga la unidad a la lluvia ni la use en lugares húmedos.
- Usar un generador en el interior PUEDE MARTARLO EN POCOS MINUTOS. Los gases de escape del generador contienen monóxido de carbono. Es un veneno que no puede verse ni olerse.
- NUNCA lo use dentro de su hogar o del garaje, INCLUSO con las puertas y las ventanas abiertas.
- Sólo utilícelo AL AIRE LIBRE y lejos de ventanas, puertas y respiraderos.

 DANGER		 DANGER		
<p>Using a generator indoors CAN KILL YOU IN MINUTES. Generator exhaust contains carbon monoxide. This is a poison you cannot see or smell.</p>		<p>L'utilisation d'une génératrice à l'intérieur PEUT VOUS TUER EN QUELQUES MINUTES. Les génératrices produisent du monoxyde de carbone, un gaz mortel incolore et inodore. NE JAMAIS utiliser à l'intérieur d'une maison ou d'un garage, MÊME SI les portes et les fenêtres sont ouvertes. Utiliser uniquement À L'EXTÉRIEUR et loin des fenêtres, des portes et des événements.</p>		
 <p>NEVER use inside a home or garage, EVEN IF doors and windows are open.</p>	 <p>Only use OUTSIDE and far away from windows, doors, and vents.</p>	<th> PELIGRO</th>		 PELIGRO
<p>Usar un generador en el interior PUEDE MATARLO EN POCOS MINUTOS. Los gases de escape del generador contienen monóxido de carbono. Es un veneno que no puede verse ni olerse. NUNCA lo use dentro de su hogar o del garaje, INCLUSO con las puertas y las ventanas abiertas. Sólo utilícelo AL AIRE LIBRE y lejos de ventanas, puertas y respiraderos.</p>				

SÍMBOLOS

ADVERTENCIA PARA LA TAPA DEL TANQUE DE COMBUSTIBLE

Nunca retire la tapa de combustible mientras esté encendida la unidad. Apague el motor y deje enfriar la unidad durante al menos cinco minutos. Quite la tapa lentamente para liberar la presión que se haya acumulado en el sistema de combustible y para evitar que el calor del silenciador provoque la ignición de los vapores del combustible.



⚠ DANGER ⚠ PELIGRO

RISQUE D'INCENDIE ET DE BLESSURES GRAVES : Ne jamais retirer le capuchon du réservoir d'essence pendant que l'appareil fonctionne. Éteindre le moteur et laisser refroidir l'appareil pendant au moins cinq minutes. Retirer lentement le capuchon.

RIESGO DE INCENDIOS Y LESIONES POR QUEMADURAS: Nunca retire la tapa de combustible mientras esté encendida la unidad. Apague el motor y deje enfriar la unidad durante al menos cinco minutos. Retire la tapa lentamente.

UTILISEZ UN STABILISATEUR DE CARBURANT POUR LE STOCKAGE EL USO DEL ESTABILIZADOR DE COMBUSTIBLE PARA EL ALMACENAMIENTO

ADVERTENCIA DE COMBUSTIBLE

No fume al abastecer el combustible. No llene de más. El nivel de lleno es 25 mm (1 pulg.) debajo del cuello del tanque de combustible. Pare la marcha del motor cinco minutos antes del reabastecimiento de combustible para evitar que el calor del silenciador encienda los vapores de combustible.

⚠ DANGER ⚠ DANGER ⚠ PELIGRO

Risk of Fire. Check for any fuel overflow or leaking. Stop the engine before refueling.

Risque d'incendie. Vérifier l'absence de débordement ou de fuite de carburant. Arrêter le moteur avant de faire le plein.

Riesgo de incendio. Revise si hay algún derrame o fuga de combustible. Apague el motor antes de poner combustible.

940974007-04

ADVERTENCIA DEL LUBRICANTE DE MOTOR

Antes de utilizar el generador debe abastecerlo de lubricante. Antes de utilizar la unidad, revise el nivel de lubricante. El nivel de lubricante siempre debe estar entre las áreas cubiertas con rayas entrecruzadas de la varilla de nivel. La unidad está equipada de un sensor, el cual apaga automáticamente el motor si el nivel de lubricante desciende abajo del límite de seguridad.

NOTICE AVIS AVISO

CHECK LUBRICANT

Add lubricant to full mark to start. Engine will not start or will shut off if sensor detects low lubricant level. • Ajouter de lubrifiant jusqu'au repère de remplissage pour démarrer. Le moteur ne démarre pas ou s'êteint si le capteur détecte le niveau de lubrifiant faible. • Añada lubricante hasta la marca de lleno para arrancar. El motor no arranca o se apaga si sensor detecta el nivel de lubricante de baja.

940708019-04

ADVERTENCIA ACERCA DE LA CONEXIÓN A TIERRA

Este generador no incluye un cable de cobre ni una jabalina de puesta a tierra. Consulte con un electricista calificado para conocer los requisitos locales de puesta a tierra.

⚠ WARNING ⚠ AVERTISSEMENT ⚠ ADVERTENCIA

Product does not include ground rod or copper wire. Call a qualified electrician for local grounding requirements.

Le produit ne comprend pas de piquet de terre ou de fil en cuivre. Appeler un électricien qualifié pour connaître les exigences locales de mise à la terre.

El producto no incluye el ealambre de cobre ni la barra de conexión a tierra. Comuníquese con un electricista calificado para todo lo relacionado con los requisitos de conexión a tierra.

940513029-02

PARACHISPAS

El uso de este equipo puede producir chispas propensas a iniciar incendios cerca de vegetación seca. Es posible que se necesite un parachispas. El operador debe ponerse en contacto con las agencias contra incendios locales para conocer las leyes y regulaciones relacionadas con los requisitos de prevención de incendios.

⚠ WARNING Operation of this equipment may create sparks that can start fires around dry vegetation. A spark arrestor may be required. The operator should contact local fire agencies for laws or regulations relating to fire prevention requirements.

⚠ AVERTISSEMENT L'utilisation de cet équipement peut créer des étincelles susceptibles d'enflammer la végétation sèche. Il peut être nécessaire d'utiliser un pare-étincelles. L'utilisateur doit communiquer avec le service local d'incendie pour connaître toutes les lois et tous les règlements portant sur les exigences en matière de prévention des incendies.

⚠ ADVERTENCIA El uso de este equipo puede producir chispas propensas a iniciar incendios cerca de vegetación seca. Es posible que se necesite un parachispas. El operador debe ponerse en contacto con las agencias contra incendios locales para conocer las leyes y regulaciones relacionadas con los requisitos de prevención de incendios.

940947003-03

ADVERTENCIA DE SUPERFICIE CALIENTE

No toque el silenciador ni el cilindro de aluminio del motor. Están muy CALIENTES y causan quemaduras graves. Para reducir el riesgo de lesiones corporales o daños materiales evite tocar toda superficie caliente y no coloque partes del cuerpo en la trayectoria de los gases de escape.

⚠ WARNING ⚠ AVERTISSEMENT ⚠ ADVERTENCIA

HOT SURFACE AND EXHAUST

SURFACE ET D'ÉCHAPPEMENT CHAUDS

SUPERFICIE Y DE ESCAPE ESTEN CALIENTE

940860075-01

ADVERTENCIA DE ESPACIO LIBRE

Tanto en funcionamiento como al guardarlo, mantenga siempre 91,4 cm (3 pies) de espacio libre en todos los laterales de este producto, incluida la parte superior. Espere al menos 30 minutos para el equipo se enfríe antes de guardarlo. El calor generado por el silenciador y los gases de escape puede ser suficiente para causar quemaduras graves y/o prender fuego a objetos combustibles.

⚠ DANGER ⚠ DANGER ⚠ PELIGRO

Risk of Fire. Keep all objects at least 3 feet away from this machine. Heat from Muffler and Exhaust gases can ignite combustible objects.

Risque d'incendie. Éloigner tous les objets au moins de 91,4 cm (3 pi) de cet appareil. La chaleur du pot d'échappement et les gaz d'échappement peuvent enflammer les objets combustibles.

Riesgo de incendio. Mantener todos los objetos a una distancia mínima de 91,4 cm (3 pies) de esta máquina. El calor de los gases del silenciador y el escape pueden prender fuego a objetos combustibles.

940974089-04

ASPECTOS ELÉCTRICOS

CALIBRE DEL CORDÓN DE EXTENSIÓN

Consulte el cuadro mostrado abajo para asegurarse de que el calibre de los cordones de extensión que utilice puedan con la carga eléctrica requerida. Los cordones de calibre insuficiente pueden causar una caída de voltaje, lo cual puede quemar el dispositivo y recalentar el cordón mismo.

Corriente en Amperios	Carga en vatios		Longitud máxima permitida del cordón				
	A 120 V	A 240 V	Conduct. #8	Conduct. #10	Conduct. #12	Conduct. #14	Conduct. #16
2,5	300	600		305 m (1000 pies)	183 m (600 pies)	114 m (375 pies)	76 m (250 pies)
5	600	1200		152 m (500 pies)	91 m (300 pies)	61 m (200 pies)	38 m (125 pies)
7,5	900	1800		107 m (350 pies)	61 m (200 pies)	38 m (125 pies)	31 m (100 pies)
10	1200	2400		76 m (250 pies)	46 m (150 pies)	31 m (100 pies)	15 m (50 pies)
15	1800	3600		46 m (150 pies)	31 m (100 pies)	20 m (65 pies)	
20	2400	4800	53 m (175 pies)	38 m (125 pies)	23 m (75 pies)		
25	3000	6000	46 m (150 pies)	31 m (100 pies)			
30	3600	7200	38 m (125 pies)	20 m (65 pies)			
40	4800	9600	27 m (90 pies)				

CARGAS DE MOTORES ELÉCTRICOS

Es característico en el funcionamiento normal de los motores eléctricos comunes consumir durante el arranque hasta seis veces su corriente de operación. Esta tabla puede emplearse para estimar la potencia necesaria (en vatios) para arrancar los motores eléctricos; no obstante, si un motor eléctrico no arranca o no alcanza la velocidad de funcionamiento, apague el dispositivo o herramienta de inmediato para evitar dañar el equipo. Siempre verifique los requisitos de la herramienta o aparato con la salida nominal del generador.

Capacidad del motor (H.P.)	Potencia en marcha (vatios)	Potencia necesaria para arrancar el motor (vatios)		
		Universal	Capacitor	Fase dividida
1/8	275	N/A	850	1200
1/6	275	600	850	2050
1/4	400	800	1050	2400
1/3	450	950	1350	2700
1/2	600	1000	1800	3600
3/4	850	1200	2600	—
1	1100	N/A	3300	—

AVISO:

El requerimiento de voltaje y frecuencia operativa de todos los equipos electrónicos debe comprobarse antes de enchufarlos a este generador. Pueden ocurrir daños si el equipo no está diseñado para operar dentro de una variación de voltaje de +/-10% y una variación de frecuencia de +/-3 hz de los valores nominales que aparecen en la placa de identificación del generador. A fin de evitar daños, siempre tenga una carga adicional enchufada al generador en caso de usarse equipos de estado sólido (tales como un aparato de televisión). También podría resultar necesario un acondicionador de la línea eléctrica para algunas aplicaciones; por ejemplo, con una computadora. También podría resultar necesario un acondicionador de la línea eléctrica para algunas aplicaciones de equipo de estado sólido.

INTERRUPTOR DE CIRCUITO ACCIONADO POR FALLA DE CONEXIÓN A TIERRA

Ve la figura 1.

Los receptáculos (20 A, 120 V) del generador están protegidos con un interruptor de circuito accionado por falla de conexión a tierra (GFCI), el cual protege contra los peligros de las corrientes desarrolladas al presentarse tal falla. Un ejemplo de una corriente debida a una falla de conexión a tierra es la que fluiría a través de una persona que está utilizando un aparato con aislamiento defectuoso, y al mismo tiempo está en contacto con una tierra eléctrica como una parte de la plomería, suelo húmedo o tierra.

Los receptáculos protegidos con GFCIs no protegen contra cortos circuitos, sobrecargas ni descargas eléctricas.

Los receptáculos con GFCIs pueden probarse con los botones TEST [PRUEBA] y RESET [REAJUSTE].

Para efectuar una prueba:

- Oprima el botón TEST. Esto debe hacer salir el botón Reset (Reajustar).
- Para restablecer la corriente, oprima el botón RESET.

ASPECTOS ELÉCTRICOS

Realice mensualmente esta prueba para asegurarse del buen funcionamiento del GFCI. Si se guarda a la intemperie el generador, sin protección de los elementos, pruebe el GFCI del receptáculo cada vez antes de usar la unidad.

CAPACIDAD DEL GENERADOR

Cerciórese que el generador pueda suministrar suficientes vatios de potencia continua (en marcha) y de sobrecorriente (al arrancar) para los equipos que desee alimentar al mismo tiempo. Siga estos pasos sencillos.

1. Seleccione los equipos que desea alimentar al mismo tiempo.
2. Sume la potencia continua (en marcha) en vatios de estos equipos. Esta es la cantidad de potencia que el generador debe producir para mantener en marcha los equipos. Observe la tabla de referencia de potencia en vatios, a la derecha.
3. Calcule cuánta potencia inicial (al arranque) en vatios necesitará. La potencia inicial (en vatios) es la breve variación rápida de potencia necesaria para poner en marcha los aparatos o herramientas accionados con motor eléctrico como las sierras circulares o los refrigeradores. Debido a que no todos los motores arrancan al mismo tiempo, se puede calcular la potencia inicial total en vatios sumando sólo los equipos con el mayor valor de potencia inicial adicional a la potencia nominal del paso 2.

Ejemplo:

Herramienta o aparato	Potencia continua en vatios*	Arranque adicional en vatios*
Acondicionador de aire de ventana, 10000 BTU	1200	1800
Refrigerador	700	2200
Bomba de pozo de 1/3 HP	1000	2000
Televisor de 27 pulg	500	0
Iluminación (75 vatios)	75	0
	3475 vatios, potencia en marcha total	2200 vatios, potencia inicial

Potencia continua total en vatios (en marcha)	3475
Potencia inicial adicional máxima en vatios	+ 2200
Potencia total de salida requerida del generador	5675

ADMINISTRACIÓN DE LA POTENCIA

A fin de prolongar la vida útil del generador y los dispositivos acoplados, es importante tener cuidado al agregar cargas eléctricas al generador. NO debe haber equipo alguno conectado a los tomacorrientes del generador antes de poner en marcha el motor respectivo. La manera correcta y segura de administrar la potencia del generador consiste en agregar las cargas de manera secuencial de la manera siguiente:

1. Sin equipos conectados al generador, ponga en marcha el motor de la manera que se describe posteriormente en este manual.
2. Enchufe y active la primera carga, preferiblemente la máxima carga que tenga.

3. Deje que se establezca la salida del generador (el motor marcha uniformemente y el dispositivo acoplado funciona correctamente).
4. Enchufe y active la siguiente carga.
5. Nuevamente, deje que el generador se estabilice.
6. Repita los pasos 4 y 5 para cada carga adicional.

Nunca añada más cargas que las que permita la capacidad del generador. Tenga especial cuidado al considerar las cargas de sobrecorriente en la capacidad del generador según se describió anteriormente.

AVISO:

No exceda la capacidad del generador. Si excede la capacidad de corriente (amperios) y potencia (vatios) del generador puede dañar el generador y los dispositivos eléctricos conectados al mismo.

Herramienta o aparato	W de Funcionamiento Estimados*	W de Arranque Adicionales Estimados*
Emergencia / En casa espera		
Radio-despertador	50	0
Luces (4 cant. x 75 W)	300	0
Refrigerador	700	2200
Ventilador de calefacción	800	2350
Bomba de pozo de agua	1000	1500
Microondas	1000	1000
Bomba de sumidero	1050	2200
Autonomía eléctrica (por elemento)	2100	0
Sitio de trabajo		
Taladro eléctrico – 1/2 HP	600	900
Rociador de aire comprimido – 1/3 HP	600	1200
Lámpara de trabajo de halógeno de cuarzo	1000	1000
Sierra alternativa	960	1920
Compresor de aire – 1 HP	1600	4500
Sierra circular - 7-1/4 pulg. (184 mm)	1400	2300
Cepillo de juntas – 6 pulg. (150 mm)	1800	1800
Sierra de ingletes – 10 pulg. (254 mm)	1800	1800
Sierra de banco/sierra radial de brazo – 10 pulg. (254 mm)	2000	2000

*Los valores de potencias en vatios indicados son aproximados. Verifique la potencia real de cada herramienta o aparato.

CARACTERÍSTICAS

ESPECIFICACIONES DEL PRODUCTO

MOTOR

Tipo de motor.....	420 cc, EFI
Bujía.....	F6RTC o equivalente
Fuel Volume.....	22,7 l (6 gal.)
Volumen de llenado de lubricante.....	Aprox. 0,94 l (32 oz.)

*Salida nominal definida según el estándar G300 de PGMA

GENERADOR

Voltaje nominal.....	120 V/240 V
Amperaje nominal.....	58,3 A/29,1 A
Salida nominal*.....	7 000 W
Salida máxima.....	8 750 W
Frecuencia nominal.....	60 Hz

FAMILIARÍCESE CON EL GENERADOR

Vea la figura 2.

El uso seguro que este producto requiere la comprensión de la información impresa en el producto y en el manual del operador así como ciertos conocimientos sobre el proyecto a realizar. Antes de usar este producto, familiarícese con todas las características de funcionamiento y normas de seguridad.

DISYUNTOR

El disyuntor se proporciona para proteger al generador contra sobrecarga eléctrica. El disyuntor puede restaurarse pulsando el botón del disyuntor.

FILTRO DE AIRE

El filtro de aire ayuda a limitar la cantidad de tierra y polvo que penetra a la unidad durante el funcionamiento.

FUSIBLE PARA CARGAR LA BATERÍA

El fusible del circuito para cargar la batería protegen a la batería.

MANTENEDOR DE CARGA DE LA BATERÍA

Utilizar el mantenedor de carga de la batería cuando guarde el generador lo ayudará a mantener cargada la batería del generador, siempre lista para funcionar.

VERIFICACIÓN DE LUZ INDICADORA DEL MOTOR

La luz LED indicadora del panel de control se iluminará para indicar una falla en el sistema de inyección de combustible del motor. Contacto con el servicio al cliente o con un centro de servicio calificado para recibir asistencia.

PANTALLA DIGITAL

La pantalla digital muestra el voltaje de CA de salida, la frecuencia, cuánto tiempo hace que el motor está en marcha desde la última vez que se lo encendió y la cantidad total de horas de uso de la unidad.

INTERRUPTOR DEL MOTOR

El interruptor del motor se utiliza solo o en combinación con el mango del arrancador retráctil para arrancar del motor. Además se utiliza para apagar del motor.

TANQUE DE COMBUSTIBLE

El tanque de combustible tiene una capacidad de 22,7 l (6 galones).

VÁLVULA DE COMBUSTIBLE

El flujo de combustible del tanque de combustible al motor se activa y desactiva con la válvula de combustible.

TERMINAL DE CONEXIÓN A TIERRA

El terminal de conexión a tierra se utiliza para ayudar a conectar a tierra correctamente el generador como ayuda de protección contra descargas eléctricas. Consulte con un electricista local calificado con respecto a los requisitos de conexión a tierra en el área geográfica donde se encuentre usted.

PROTECCIÓN DE APAGADO POR BAJA CANTIDAD DE ACEITE

El sensor de bajo nivel de aceite provoca la detención del motor cuando el nivel de lubricante en el cárter es insuficiente.

TAPA DE RELLENO DE ACEITE/VARILLA MEDIDORA DE ACEITE

Retire la tapa de relleno de lubricante para revisar el nivel y añadir lubricante al generador cuando sea necesario.

TAPÓN DE DRENAJE DEL ACEITE

Al cambiar el lubricante de motor, se afloja el tapón de drenaje del lubricante para permitir el drenaje del lubricante usado.

RECEPTÁCULOS

El generador incorpora las siguientes tomas monofásicas de 60 Hz: dos receptáculos de 120 V doble de 20 A con GFCI y uno de 240 V y 30 A de corriente alterna. Los receptáculos pueden utilizarse para accionar los aparatos, iluminación eléctrica, herramientas y motores apropiados.

MANGO DEL ARRANCADOR RETRÁCTIL

El mango del arrancador retráctil se usa (junto con el interruptor del motor) para arrancar el motor del generador.

ARMADO

DESEMPAQUETADO

Este producto requiere armarse.

- Orte cuidadosamente los lados de la caja y después retire la herramienta y cualesquier accesorios de la caja. Asegúrese de que estén presentes todos los artículos enumerados en la lista de empaquetado.

NOTA: Esta herramienta es pesada y requiere al menos de dos personas para levantarla. Para evitar una lesión en la espalda, levántela con sus piernas, no con su espalda.



ADVERTENCIA:

No utilice este producto si alguna pieza incluida en la Lista de piezas sueltas ya está ensamblada al producto cuando lo desempaqueta. El fabricante no ensambla las piezas de esta lista en el producto. Éstas deben ser instaladas por el usuario. El uso de un producto que puede haber sido ensamblado de forma inadecuada podría causar lesiones personales graves.

- Inspeccione cuidadosamente la unidad para asegurarse que no haya sufrido ninguna rotura o daño durante el transporte.
- No deseche el material de empaquetado hasta que haya inspeccionado cuidadosamente el producto y lo haya utilizado satisfactoriamente.
- Si hay piezas dañadas o faltantes, le suplicamos llamar al 1-800-860-4050, donde le brindaremos asistencia.



ADVERTENCIA:

Si falta o está dañada alguna pieza, no utilice este producto sin haber reemplazado la pieza. Usar este producto con partes dañadas o faltantes puede causar lesiones serias al operador.



ADVERTENCIA:

No intente modificar esta producto ni introducir accesorios no recomendados para la misma. Cualquier alteración o modificación constituye maltrato y puede causar una condición peligrosa, y como consecuencia posibles lesiones corporales graves.



ADVERTENCIA:

No intente accionar el generador antes de terminar de armarlo. De lo contrario puede ocurrir un riesgo de lesiones graves.

LISTA DE PIEZAS SUeltas

Vea la figura 3.

Los siguientes artículos incluidos con generador:

Núm.	ref.	Descripción	Cant.
	1	Rueda	2
	2	Eje.....	2
	3	Arandela	2
	4	Pasador de enganche	2
	5	Perno	4
	6	Soporte del pie derecho	1
	7	Soporte del pie izquierdo	1
	8	Tuerca de bloqueo.....	4
	9	Cargador de mantenimiento de batería.....	1
	10	Motor lubricante	1
	11	Caja para la batería	1
		Manual del operador (no se muestra).....	1

HERRAMIENTAS NECESARIAS

Vea la figura 4.

Para armar la unidad se necesitan las siguientes herramientas (no incluido o dibujado para escalar):

- Llaves de casquillo y/o llaves de combinación
- Destornillador Philips

NOTA: No ponga combustible o lubricante en el generador antes de instalar las patas y ruedas.

INSTALACIÓN DE LOS PIES

Vea la figura 5.

- Localice los siguientes artículos:
 - Soporte del pie derecho
 - Soporte del pie izquierdo
 - 4 tuercas de bloqueo
 - 4 pernos
 - Inserte pernos por el soporte del pie derecho y los orificios del marco del generador como se muestra en la imagen.
 - Rosque la tuerca de fijación en el perno y ajuste bien dando una vuelta completa.
- NOTA: Asegúrese de no ajustar excesivamente para evitar que el material del pie se doble.**
- Repita el procedimiento con el pie izquierdo.

ARMADO

INSTALACIÓN DE LAS RUEDAS

Vea la figura 6.

Las ruedas se proporcionan para ayudar a trasladar el generador hasta la ubicación deseada y deben instalarse en del mismo lado del mango.

- Localice los siguientes artículos:
 - 2 ejes
 - 2 pasadores de enganche
 - 2 arandelas
 - 2 ruedas
- Eleve el extremo del generador donde está ubicado el mango hasta una altura suficiente que permita el acceso a la parte inferior del bastidor; coloque firmemente cuñas debajo para apoyarlo.
- Deslice pase el eje a través del agujero situado en el centro de la rueda.
- Deslice una arandela por el eje y luego deslice el eje dentro del agujero de montaje de la rueda, como se muestra.
- Inserte el pasador de enganche para asegurar.
NOTA: Debe introducirse el pasador de enganche en el eje hasta que el centro de aquél descansa en la parte superior de éste.
- Repita el proceso con la segunda rueda.

CONEXIÓN Y DESCONEXIÓN LA BATERÍA

Vea la figura 7.



ADVERTENCIA:

Para reducir el riesgo de electrocución o explosión, no cause cortocircuito en las terminales de las baterías o realice la carga en un recipiente sellado. Mantenga alejadas las chispas y las llamas.



ADVERTENCIA:

Guarde los objetos metálicos lejos de los terminales de la batería. Los objetos metálicos puedan establecer conexión entre ambas terminales. Establecer una conexión directa entre las dos terminales puede causar chispas, quemaduras o incendios.

AVISO:

Es posible que la batería deba cargarse antes de que el generador pueda comenzar a usar el interruptor del motor o el arrancador retráctil. Una vez encendido el generador, la batería se cargará durante el funcionamiento de la unidad.

Los cables de la batería deben estar conectados antes de operar el generador.

Para conecte cable de batería:

- Conecte el cables rojo con la terminal positiva (+) y el cable negro con la terminal negativa (-). Asegúrese de que todas las conexiones estén firmes.
NOTA: Teniendo cuidado de no causar cortocircuito en las terminales. Un cortocircuito al juntar las terminales puede causar chispas, daños a la batería o al generador y hasta quemaduras o explosiones.
- Cubra las terminales con las coberturas de caucho.

Cuando quite la batería para reemplazarla: desconecte el borne negativo (negro), luego el borne positivo (rojo) con cuidado de no cortocircuitar las terminales. Siempre observe las advertencias de seguridad que se suministran con la batería. Quite la batería y deséchela según lo establecido por las reglamentaciones locales y estatales.

FUNCIONAMIENTO

PELIGRO:

Monóxido de carbono. Usar un generador en el interior LO MATARÁ EN POCOS MINUTOS.

Los gases de escape del generador contienen niveles altos de monóxido de carbono (CO), un gas venenoso que no puede verse ni olerse. Si puede oler los gases de escape del generador, está respirando CO. Pero incluso si no puede oler los gases de escape, es posible que esté respirando CO.

- Nunca use un generador dentro de su hogar, garaje, sótano, ni demás espacios parcialmente encerrados. En dichos espacios, pueden acumularse niveles mortales de monóxido de carbono. Usar un ventilador o abrir puertas y ventanas NO proporciona suficiente aire fresco.
- SÓLO utilice el generador al aire libre y lejos de ventanas, puertas y respiraderos abiertos. Estas aberturas pueden atraer los gases de escape del generador.

Incluso si utiliza el generador correctamente, el CO puede ingresar en su hogar. SIEMPRE utilice una alarma de CO de pilas o con pilas de respaldo en su hogar.

Si comienza a sentirse descompuesto, mareado o débil luego de que el generador estuvo funcionando, trasládese adonde haya aire fresco INMEDIATAMENTE. Vea a un doctor. Puede sufrir intoxicación por monóxido de carbono.

ADVERTENCIA:

Si este generador se utiliza **únicamente** con aparatos conectados con cable y enchufe, el Código Eléctrico Nacional no exige que la unidad esté puesta a tierra. Sin embargo, si se usa el generador de otra forma, podría ser necesario ponerlo a tierra para reducir el riesgo de descargas eléctricas o electrocución. Antes de usar el generador, consulte a un electricista calificado, un inspector eléctrico o un organismo local que tenga jurisdicción para saber si es necesario ponerlo a tierra en su situación.

ADVERTENCIA:

No permita que su familiarización con este producto lo vuelva descuidado. Tenga presente que un descuido de un instante es suficiente para causar una lesión grave.

ADVERTENCIA:

No utilice ningún aditamento o accesorio no recomendado por el fabricante de este producto. El empleo de aditamentos o accesorios no recomendados podría causar lesiones graves.

AVISO:

Este producto cuenta con un parachispas que ha sido evaluado por el Servicio Forestal del Departamento de Agricultura de EE. UU., sin embargo los usuarios del producto deben cumplir con los reglamentos de prevención de incendios locales, estatales y federales. Consulte a las autoridades que correspondan. Póngase en contacto con el servicio al cliente o centro de servicio calificado para comprar un parachispas de repuesto.

AVISO:

Antes de cada uso, inspeccione todo el producto para detectar partes dañadas, faltantes o sueltas, como tornillos, tuercas, pernos, tapas, etc. Apriete firmemente todos los sujetadores y las tapas y no accione este producto hasta que todas las partes faltantes o dañadas sean reemplazadas. Contacto con el servicio al cliente o con un centro de servicio calificado para recibir asistencia.

APLICACIONES

Este generador está diseñado para suministrar alimentación eléctrica para el funcionamiento de iluminación eléctrica compatible, electrodomésticos, herramientas y cargas de motor.

ANTES DE ACCIONAR LA UNIDAD

- Sólo utilícelo AL AIRE LIBRE y guarde una distancia al menos de 6 m (20 pies) alejado de ventanas, puertas y orificios de ventilación según lo recomendado por el Departamento de Salud y Servicios Humanos y por los Centros para el Control y la Prevención de Enfermedades de los Estados Unidos. Las condiciones particulares de su casa o del viento puede requerir una distancia adicional.
- NUNCA lo use dentro de su hogar o del garaje, INCLUSO con las puertas y las ventanas abiertas.
- Coloque siempre el generador sobre una superficie firme plana.

REQUISITOS ESPECIALES:

Es posible que se apliquen reglamentaciones de la Administración de Salud y Seguridad Ocupacional (Occupational Safety and Health Administration, OSHA) generales o estatales, códigos u ordenanzas locales al uso para el que fue diseñado el generador.

FUNCIONAMIENTO

Consulte a un electricista calificado, a un inspector de instalaciones eléctricas o a la agencia local con jurisdicción:

- En algunas áreas, se deben registrar los generadores en las respectivas compañías de servicios públicos locales.
- Si el generador es utilizado en una obra en construcción, es posible que se deban respetar reglamentaciones adicionales.

LEVANTAR Y BAJAR EL MANGO

Vea la figura 8.

- Para levantar el mango (para trasladar la generador): tire del perilla de liberación del mango hacia, levantar el mango, luego suelte la perilla de modo que encaje en la posición de bloqueo. Inserte la clavija de bloqueo del mango para asegure el mango en su lugar.
- Para bajar mango (para guardar o transportar la generador): quite la clavija de bloqueo del mango, tire de la perilla de liberación del mango y ponga el mango en posición hacia abajo.

Nunca utilice el mango para levantar el generador. Solamente se debe utilizar el mango para desplazar la unidad sobre las ruedas.

VERIFICACIÓN Y ABASTECIMIENTO DE LUBRICANTE

Vea la figura 9.

AVISO:

Si se intenta arrancar el motor antes de haberse abastecido debidamente de lubricante podría descomponerse el equipo.

NOTA: Si recibe un manual del motor para este producto, respete el instrucciones que se indique en el manual del motor y no la información que figura a continuación.

El lubricante de motor empleado es un factor de gran importancia en el rendimiento y vida de servicio del motor. Para uso general, a todas temperaturas, se recomienda el lubricante sintético SAE 10W-30. Siempre utilice lubricante para motor de cuatro tiempos que satisfaga o sobrepase los requisitos SJ de clasificación de servicio API.

Este motor viene con una característica que apagará el motor cuando no se mantiene el nivel específico de lubricante. El motor volverá a arrancar hasta que se alcance el nivel adecuado de lubricante.

NOTA: El lubricante sin detergente o para motor de dos tiempos daña el motor, por lo cual no debe usarse.

- Desenrosque la tapa de relleno de aceite/varilla medidora de aceite y retirela.
- Limpie la varilla de nivel y vuelva a asentarla en el agujero; no la enrosque.

- Retire de nuevo la varilla medidora de lubricante y verifique el nivel de lubricante. El nivel de lubricante siempre debe estar entre las áreas cubierta con rayas entrecruzadas de la varilla medidora.
- Si está bajo el nivel, abastezca de lubricante el motor hasta que el nivel del fluido alcance la parte superior de la varilla.
- Vuelva a colocar la tapa de relleno de aceite/varilla medidora de aceite y asegúrela.

USO DE ESTABILIZADOR DE COMBUSTIBLE

El combustible se hace viejo, se oxida y descompone al paso del tiempo. Agregando estabilizador de combustible (no incluido) se prolonga la vida útil del combustible y se evita la formación de depósitos, los cuales pueden tapan el sistema del combustible. Siga las instrucciones del fabricante del estabilizador de combustible en cuanto a la debida proporción estabilizador-combustible.

- Mezcle el estabilizador de combustible y la gasolina antes de llenar el tanque mediante el uso de una lata de gasolina u otro recipiente aprobado para combustible; agítela suavemente para realizar la mezcla.

NOTA: Para controlar la cantidad de estabilizador de combustible que se agrega al motor, siempre mézclelo con la gasolina antes de llenar el tanque, en vez de agregarlo directamente al tanque de combustible del generador.

- Coloque de nuevo la tapa del tanque de combustible y asegúrela.
- Arranque el motor y déjelo funcionar por lo menos cinco minutos para permitir que el estabilizador trate todo el sistema de combustible.

COMBUSTIBLES MEZCLADOS CON ETANOL

AVISO:

No utilice combustibles E15 o E85 con este producto. Esto constituye una violación a la ley federal, dañará la unidad y anulará la garantía. Use únicamente gasolina sin plomo con un contenido de hasta 10 % de etanol.

ABASTECIMIENTO DE COMBUSTIBLE

Vea la figura 10.



PELIGRO:

Riesgo de incendios y lesiones por quemaduras: Nunca retire la tapa de combustible mientras esté encendida la unidad. Apague el motor y deje enfriar la unidad durante al menos cinco minutos. Retire la tapa lentamente.

FUNCIONAMIENTO



ADVERTENCIA:

La gasolina y los vapores de la misma son extremadamente inflamables y explosivos. Para evitar lesiones y daños físicos serios, maneje con cuidado la gasolina. Manténgala lejos de fuentes de ignición, manéjela solamente al aire libre, no fume mientras vierta la gasolina y limpie de inmediato cualquier derramamiento que ocurra.

Al abastecer de gasolina la generador, asegúrese de que la unidad esté asentada en una superficie horizontal nivelada. Si está caliente el motor, permita que se enfríe la generador durante cinco minutos antes de reabastecerla de gasolina. SIEMPRE llene el tanque al aire libre con la máquina apagada.

- Ponga la válvula de combustible en la posición **OFF (O)** (APAGADO).
- Retire lentamente la tapa de combustible.
- Llene el tanque de combustible hasta una altura de 25 mm (1 pulg.) abajo del cuello del tanque.
- Coloque de nuevo la tapa del tanque de combustible y asegúrela.



ADVERTENCIA:

Apague siempre el motor antes de reabastecer combustible. Nunca retire la tapa de combustible ni agregue combustible a una máquina mientras el motor esté en funcionamiento o caliente. Asegúrese de que la unidad esté apoyada en una superficie horizontal y nivelada, y solo agregue combustible al aire libre. Si el motor está caliente, deje que el unidad se enfríe durante al menos cinco minutos antes de reabastecer. Vuelva a colocar inmediatamente la tapa del tanque después de reabastecer y apriétela firmemente. Aléjese al menos 9 metros (30 pies) del sitio de carga de combustible antes de poner en marcha el motor. No fume y permanezca lejos de llamas abiertas y chispas! La inobservancia de estas instrucciones podrían provocar un incendio y lesiones personales graves.

NOTA: Siempre utilice gasolina sin plomo con un octanaje nominal inicial de 86 o mayor. Nunca utilice gasolina vieja, pasada o contaminada, y no utilice mezcla de lubricante y gasolina. No permita que entre tierra o agua en el tanque de combustible. **No use combustible E85.**

PANTALLA DIGITAL

Vea la figura 11.

Presione y libere el botón de modos para desplazarse por las siguientes pantallas:

Voltaje (V) muestra el voltaje de funcionamiento del generador.

Frecuencia (F) muestra la frecuencia en hercios a la que está funcionando el generador.

El **temporizador de funcionamiento/mantenimiento** muestra la cantidad de tiempo de lleva funcionando el generador desde que se lo encendió. Este temporizador se reinicia cada vez que se apaga en generador.

Cuando se ha alcanzado un tiempo de funcionamiento acumulado de 25 horas, se mostrará P25 en el medidor como recordatorio para cambiar el lubricante de motor después de las 25 horas iniciales de tiempo de funcionamiento.

Cuando se ha alcanzado un tiempo acumulado de 50 horas, se mostrará P50 en el medidor para recordarle que limpie el filtro de aire.

Cuando se ha alcanzado un tiempo acumulado de 100 horas, se mostrará P100 en el medidor para recordarle que cambie/limpie el filtro de combustible, limpie el filtro de aire y cambie el lubricante de motor.

ARRANQUE ELÉCTRICO

El modelo de este generador se proporciona con capacidades de arranque tanto de impacto trasero como eléctrico. Evite el uso prolongado de arranque con manivela, pues esto puede dañar el motor.

La batería que se suministra es de plomo-ácido, de 12 voltios nominales, sellada y recargable y se puede poner en funcionamiento en cualquier posición sin que presente fugas. Cumple con las regulaciones de baterías antiderrame.

NOTA: Los generadores nuevos de marca se envían con las conexiones de la batería sin conectar. Las terminales positiva y negativa deben conectarse con la batería antes de que se ponga en marcha el generador.

Para conexión inicial de la batería, consulte el apartado **Conectar/desconecte la batería.**

ARRANQUE DEL MOTOR

Vea las figuras 12 a 14.

AVISO:

Teniendo la unidad en una superficie nivelada y con el motor apagado, revise el nivel de lubricante cada vez antes de usar el generador.

NOTA: Si el generador no está en una superficie nivelada, es posible que no arranque o se apague durante su funcionamiento.

El generador está equipado con un sistema electrónico de inyección de combustible. Al encender el generador, habrá un momento de espera para permitir que el sistema transporte el combustible desde el tanque.

- Desconecte todas las cargas del generador.
- Ponga la válvula de combustible en la posición **ON (I)** (ENCENDIDO).
- Para encender el generador con el arranque eléctrico:
 - ① Ponga el interruptor del motor en la posición **MARCHA.**
 - ② Espere 30 segundos para permitir que el combustible se transporte por el conducto.

FUNCIONAMIENTO

NOTA: El motor no arrancará hasta que el combustible haya llegado al inyector y se alcance la presión operativa apropiada.

- Deslice el botón de bloqueo hacia abajo y manténgalo presionado mientras lleva el interruptor del motor a la posición **ARRANQUE**.

NOTA: Es posible que la batería deba cargarse antes de que el generador pueda comenzar a usar el interruptor del motor o el arrancador retráctil. Una vez encendido el generador, la batería se cargará durante el funcionamiento de la unidad. Luego de que el generador arranque, la batería se cargará mientras la unidad esté en funcionamiento. Si el interruptor del motor no pone en funcionamiento a la unidad una vez que se ha completado la carga de la batería, revise el fusible de protección del circuito y cámbielo si fuese necesario, según las instrucciones en **Cambiar el fusible del circuito de carga de la batería** en la sección *Mantenimiento* de este manual.

- Para encender el motor con el arrancador retráctil:
 - Ponga el interruptor del motor en la posición **MARCHA**.
 - Espere 30 segundos para permitir que el combustible se transporte por el conducto.

NOTA: El motor no arrancará hasta que el combustible haya llegado al inyector y se alcance la presión operativa apropiada.
 - Tire del mango de arranque hasta que el motor se ponga en marcha.

NOTA: No permita que el mango se retraiga violentamente después de arrancar; regréselo suavemente a su lugar original.

- Permita que el motor funcione 30 segundos y, después, coloque del anegador en la posición **RUN** (FUNCIONAMIENTO).

APAGADO DEL MOTOR

Vea las figuras 13 y 14.

Para apagar el motor en condiciones normales de funcionamiento:

- Desconecte del generador toda carga presente.
- Presione la parte inferior del interruptor para colocar el interruptor del motor en la posición **OFF (apagado) (O)**.
- Ponga la válvula de combustible en la posición **OFF (O)** (APAGADO).

Para apagar el motor en una situación de emergencia:

- Presione la parte inferior del interruptor para colocar el interruptor del motor en la posición **OFF (apagado) (O)**.



ADVERTENCIA:

Tanto en funcionamiento como al guardarlo, mantenga siempre 91,4 cm (3 pies) de espacio libre en todos los laterales de este producto, incluida la parte superior. Espere al menos 30 minutos para el equipo se enfríe antes de guardarlo. El calor generado por el silenciador y los gases de escape podría ser suficiente para causar quemaduras graves y/o prender fuego a objetos combustibles.

MANTENIMIENTO

Cualquier establecimiento o técnico de reparaciones calificado puede realizar el mantenimiento normal, el reemplazo o la reparación de los dispositivos y sistemas de control de emisiones, con repuestos originales o equivalentes. Un centro de servicio autorizado deberá realizar las reparaciones y el retiro del producto que cubra la garantía. Póngase en contacto con el servicio al cliente para obtener ayuda.



ADVERTENCIA:

Antes de inspeccionar, limpiar o dar servicio a la máquina, apague el motor, espere a que se detengan todas las piezas en movimiento, desconecte el cable de la bujía y aléjelo de ésta. Permita un período de enfriamiento de 30 minutos antes de efectuar cualquier tarea de mantenimiento. El incumplimiento de cualquiera de estas instrucciones puede causar lesiones físicas graves o daños a la propiedad.



ADVERTENCIA:

Al reparar la unidad, solo utilice piezas de repuesto recomendadas o equivalentes. Todo servicio o mantenimiento efectuado por personal no calificado o usar cualquier otro repuesto puede provocar peligro de lesiones personales o daño a la propiedad.

AVISO:

Inspeccione periódicamente todo el producto para detectar partes dañadas, faltantes o sueltas, como tornillos, tuercas, pernos, tapas, etc. Apriete firmemente todos los sujetadores y las tapas y no accione este producto hasta que todas las partes faltantes o dañadas sean reemplazadas. Contacto con el servicio al cliente o con un centro de servicio calificado para recibir asistencia.

MANTENIMIENTO

MANTENIMIENTO GENERAL

Mantenga el generador en un entorno limpio y seco, en el cual no esté expuesto al polvo, tierra, humedad o vapores corrosivos. No permita que las ranuras de aire de ventilación del generador se tapen de materia extraña, como hojas, etc.

No utilice una manguera de jardín para limpiar el generador. El agua que entra al sistema de combustible u otras partes internas puede causar problemas que acortan la vida de servicio del generador.

Para limpiar la unidad:

- Con un cepillo de cerdas suaves y/o una aspiradora afloje y elimine la tierra y la basura.
- Limpie las aberturas de ventilación con aire a baja presión que no se exceda de 25 psi.
- Limpie las superficies exteriores del generador con un paño húmedo.

REVISIÓN Y LIMPIEZA DEL FILTRO DE AIRE

Vea la figura 15.

Para obtener un desempeño apropiado y una larga vida útil de la unidad, mantenga limpios los filtro de aire.

- Gire la perilla de liberación de la parte inferior de la tapa del filtro de aire. Retire la tapa y hágala a un lado.
- Retire los elemento de filtro.
- Si el elemento de filtro están sucios, lávese con agua jabonosa tibia. Enjuáguelo y déjelo secar.
- Aplique una capa delgada de lubricante a los elementos y, después, estruje para sacar aquél.
- Coloque de nuevo los elemento en la unidad del filtro.
- Vuelva a colocar la tapa del filtro de aire et enganche para asegurarla.

NOTA: No ponga a funcionar el generador sin los filtro de aire. Se causa un desgaste acelerado del motor.

CAMBIO DEL LUBRICANTE DEL MOTOR

Vea la figura 16.

- Retire la tapa de relleno de aceite/varilla medidora de aceite.
- Coloque un recipiente bajo el tapón de drenaje del aceite para recoger el lubricant a medida que salga.
- Desenrosque el tapón de drenaje del aceite y retírelo.
- Permita que se drene completamente el lubricante.

NOTA: Drene el lubricante mientras esté tibio el motor, no caliente. El lubricante tibio se dreña con mayor facilidad y compleción.



ADVERTENCIA:

No cambie el lubricante del motor cuando esté caliente. El contacto accidental con el lubricante del motor caliente podría provocar quemaduras graves.

- Instale de nuevo el tapón de drenaje del aceite y apriételo firmemente.
- Reabastezca de lubricante la unidad de conformidad con las instrucciones indicadas en el apartado **Verificación y abastecimiento de lubricante**. Para conocer la cantidad de lubricante que se debe agregar, consulte la sección anterior **Especificaciones del producto** de este manual o el manual del motor adjunto, si corresponde.
- Reinstale la tapa de relleno de aceite/varilla medidora de aceite.

NOTA: El lubricante usado debe desecharse en un sitio de desecho aprobado. Si necesita más información, consulte a un concesionario de aceite de la localidad.

MANTENIMIENTO DE LA BUJÍA

Vea la figura 17.

La bujía debe tener el debido espacio interelectródico y debe estar libre de depósitos para que el motor funcione de forma correcta. Para verificar:

- Busque y retire los cuatro tornillos que sostienen la cubierta del motor. Retire la tapa y apártela.
 - Retire la tapa de la bujía.
 - Limpie toda la tierra presente alrededor de la base de la bujía.
 - Retire los bujías con la llave (no incluido).
 - Inspeccione la bujía para ver si está dañada, y límpiela con un cepillo de alambre antes de volver a instalarla. Si el aislante está agrietado o desportillado, debe reemplazarse la bujía. Para saber cuál es la bujía de recambio correcta, consulte la sección anterior **Especificaciones del producto** de este manual o el manual del motor adjunto, si corresponde.
 - Mida el espacio interelectródico. La separación correcta es 0,7-0,8 mm (0,028–0,031 pulg.). Para ampliar la separación, doble con cuidado el electrodo (superior) de conexión a tierra. Para angostar el espacio, golpee suavemente sobre una superficie dura el electrodo de tierra.
 - Asiente en su lugar la bujía y enrósquela con la mano para evitar trasroscarla.
 - Apriétela con una llave para comprimir la arandela. Si es nueva la bujía, gírela 1/2 vuelta para comprimir al nivel adecuado la arandela. Si va a volver a usar la bujía vieja, gírela de 1/8 a 1/4 de vuelta para comprimir al nivel adecuado la arandela.
- NOTA:** Si no se aprieta debidamente, la bujía se calienta mucho y podría dañar el motor.
- Reinstalación la tapa de la bujía.
 - Reinstalación la cobertura de motor. Apriete los tornillos para asegurarla.

MANTENIMIENTO

LIMPIEZA DEL ORIFICIO DE ESCAPE Y DEL SILENCIADOR

Según sea el tipo de combustible empleado, el tipo y cantidad de lubricante empleado, así como las condiciones de funcionamiento, puede obstruirse el orificio de escape y el silenciador con depósitos de carbono. Si observa alguna pérdida de potencia en la productos con motor de gasolina, quizá sea necesario eliminar dichos depósitos para restablecer el desempeño original. Recomendamos enfáticamente que este servicio lo realicen únicamente técnicos de servicio calificados.

PARACHISPAS

Vea la figura 18.

AVISO:

Este producto cuenta con un parachispas que ha sido evaluado por el Servicio Forestal del Departamento de Agricultura de EE. UU., sin embargo los usuarios del producto deben cumplir con los reglamentos de prevención de incendios locales, estatales y federales. Consulte a las autoridades que correspondan. Póngase en contacto con el servicio al cliente o con un centro de servicio calificado para comprar un parachispas de repuesto.

- Revise si el parachispas tiene rasgaduras o agujeros. Limpie o reemplácelo si es necesario.
- Utilice un cepillo (no incluido) para retirar los depósitos de carbono de la rejilla del parachispas.

DRENAJE DEL TANQUE DEL COMBUSTIBLE

Vea las figuras 19 y 20.

Para evitar los depósitos de sustancias gomosas en el sistema de combustible, vacíe el tanque de combustible antes de guardarlo.

- Ponga el interruptor del motor en **OFF (O)** (APAGADO).
- Ponga la válvula de combustible en la posición **OFF (O)** (APAGADO).
- Retire el conducto de combustible de la conector de manguera dentada; para ello, apriete los extremos del sujetador de retención y separe el conducto.
- Coloque el conducto de combustible con válvula de combustible en un recipiente de combustible de la suficiente capacidad para recibir el combustible drenado del tanque.
- Ponga la válvula de combustible en la posición **ON (I)** (ENCENDIDO).
- Una vez que se haya drenado todo el combustible del tanque, cierre la válvula y vuelva a instalar el conducto en la conector de manguera dentada.

REEMPLAZO DEL FILTRO DE COMBUSTIBLE

Vea la figura 21.

En algunas ocasiones, el filtro de combustible puede obstruirse y deberá reemplazarse. Para comprar un filtro de combustible comuníquese contacto con el servicio al cliente o con un centro de servicio calificado.

NOTA: El tanque de combustible debe estar vacío antes de reemplazar el filtro. Si es necesario, ponga en funcionamiento la unidad hasta vaciar el tanque, o supervise el filtro antes de llenarlo.

Para reemplazar:

- Gire la válvula de combustible hasta la posición **OFF (O)** (APAGADO).
- Drene completamente el tanque de combustible.
- Quite el conductos de combustible del ambos lados del filtro vieja apretando los extremos del sujetadores de retención y deslice los conductos fuera.
- Vuelva a instalar los conductos de combustible al nuevo filtro de combustible.
- Tire de los conductos para verificar que estén seguros.
- Gire la válvula de combustible hasta la posición **ON (I)** (ENCENDIDO).

TRASLADO EL GENERADOR

- Ponga el interruptor del motor en **OFF (O)** (APAGADO).
- Desconecte todos los equipos que estén enchufados al generador.
- Ponga la válvula de combustible en la posición **OFF (O)** (APAGADO).
- Permita un período de enfriamiento de 30 minutos antes de guardar la máquina. Asegúrese de que estén fríos el motor y el escape de la unidad.
- Para seguridad, inserta el pasadores para asegurar del mangos antes de transportar.
- Con su pie en la parte trasera del bastidor, incline la máquina hacia usted hasta que se equilibre en las ruedas, luego empuje la máquina a la posición deseada.
- Si lo transporta en un vehículo, vacíe el tanque de combustible, cierre la válvula de combustible e inmovilice el generador.
- Coloque una lámina de plástico o una almohadilla absorbente debajo del generador para atrapar las gotas de combustible o lubricante cuando lo almacene o lo transporte.

MANTENIMIENTO

VERIFICACIÓN DE LUZ INDICADORA DEL MOTOR

Vea la figura 22.

La luz LED indicadora del panel de control se iluminará para indicar una falla en el sistema de inyección de combustible del motor. Contacto con el servicio al cliente o con un centro de servicio calificado para recibir asistencia.

CAMBIAR EL FUSIBLE DEL CIRCUITO DE CARGA DE LA BATERÍA

Vea la figura 23.

AVISO:

No use un fusible de mayor capacidad que el amperaje especificado. Esto puede hacer que el producto se recaliente.

- Abra la sujetador de la fusible.
- Para el desmontaje, sujete el fusible viejo y tire del mismo hacia afuera.
- Inserte el nuevo fusible de 7 amperios hoja tipo.
- Cierre la cubierta de la sujetador de la fusible.

USAR EL MANTENEDOR DE CARGA DE LA BATERÍA

Vea la figura 24.

Cuando guarde el generador, se puede conectar el mantenedor de carga de la batería para que la batería no se descargue y esté siempre lista para funcionar.

NOTA: El mantenedor de carga de la batería que se incluye solo debe usarse con el modelo de batería de plomo y ácido RT12150 de 12V 15AH/ 20 HR horas provista con este generador.

- Conecte el mantenedor de carga de la batería a la línea de alimentación. Asegúrese de que el suministro de corriente sea solo el doméstico normal, de 120 voltios, solo de corriente alterna y de 60 Hz.

- Conecte el otro extremo del mantenedor de carga de la batería al cable de carga que se conecta con la batería. La luz roja del enchufe se encenderá para indicar que se está cargando la batería. La batería se siente un poco caliente al tacto mientras se está cargando. Esto es normal y no indica ningún problema. Una vez cargado completamente el batería, la luz roja se ponga verde.

NOTA: Si la luz no se enciende, es posible que sea necesario cambiar el fusible del cable de carga. Revise el fusible y cámbielo si fuese necesario.

- Desconecte el mantenedor de carga de la batería antes de operar el generador. Coloque la tapa sobre el cable de carga cuando no lo utilice.

REMOCIÓN Y PREPARACIÓN DE BATERÍAS PARA EL RECICLADO

Para preservar los recursos naturales, le suplicamos reciclar o desechar debidamente las baterías.



Este producto contiene baterías de plomo-ácido. Es posible que algunas leyes municipales, estatales o federales prohíban desechar las baterías en la basura normal.

Consulte a las autoridades reguladoras de desechos para obtener información en relación con las alternativas de reciclado y desecho disponibles.



ADVERTENCIA:

Al retirar de baterías, cubra las terminales de la misma con cinta adhesiva reforzada. No intente destruir o desarmar de baterías, ni de desmontar ninguno de sus componentes. Las baterías de plomo-ácido deben reciclarse o desecharse debidamente. También, nunca toque ambas terminales con objetos metálicos y partes del cuerpo, ya que puede producirse un corto circuito. Manténgase fuera del alcance de los niños. La inobservancia de estas advertencias puede causar incendios y lesiones corporales serias.

MANTENIMIENTO

ALMACENAMIENTO

Al preparar el generador para guardarlo, deje que la unidad se enfríe por durante 30 minutos y luego siga los lineamientos señalados abajo.

TIEMPO DE ALMACENAMIENTO	ANTES DE GUARDARLO
Menos de dos meses	<ul style="list-style-type: none"> ■ Vacíe el tanque de combustible y colóquelo en un recipiente apropiado según lo establecido por las disposiciones estatales y locales.
De dos meses a un año	<ul style="list-style-type: none"> ■ Vacíe el tanque de combustible y colóquelo en un recipiente apropiado según lo establecido por las disposiciones estatales y locales.
Un año o más	<ul style="list-style-type: none"> ■ Retire la bujía. ■ Vacíe el tanque de combustible y colóquelo en un recipiente apropiado según lo establecido por las disposiciones estatales y locales. ■ Ponga una cucharada sopera de lubricante para motor en el cilindro de la bujía. Gire el motor lentamente con la cuerda de tiro para distribuir el lubricante. ■ Instale de nuevo la bujía. ■ Cambie el lubricante del motor. <p>Al sacar la unidad después de haberla tenido guardada:</p> <ul style="list-style-type: none"> ■ Reabastezca de gasolina fresca la unidad.

NOTA: Si guarda gasolina en un recipiente adecuado para utilizarla en otro momento, asegúrese de que haya sido tratada con un estabilizador de combustible de acuerdo con las instrucciones del fabricante del estabilizador.

PROGRAMA DE MANTENIMIENTO

NOTA: Si recibe un manual del motor para este generador en particular, respete el cronograma de mantenimiento que se indique en el manual del motor y no la información de mantenimiento que figura a continuación.

	Antes de cada uso	Después del primer mes o 25 horas de funcionamiento	Cada 100 horas de funcionamiento	Cada 200 horas de funcionamiento	Cada 240 horas de funcionamiento	Cada 300 horas de funcionamiento	Cada 400 horas de funcionamiento	Cada 480 horas de funcionamiento	Cada 500 horas de funcionamiento
Verificar lubricante del motor	■								
Cambiar lubricante del motor ²		■	■	■	■	■	■	■	■
Verificar filtro de aire	■								
Cambiar filtro de aire ²					■			■	
Verificar/ajustar bujía			■	■		■	■		
Reemplazar bujía ²					■			■	
Verificar/limpiar pantalla parachispas			■						
Verificar/ajustar régimen de ralentí		■			■			■	
Verificar/ajustar holguera de la válvula ^{1,2}					■			■	
Verificar/ajustar par de torsión del perno con cabeza ^{1,2}					■			■	
Filtro de combustible	Inspeccionar					Reemplazar			
Recarga la batería (si está instalada)			■						

1 Estas tareas deben ser efectuadas sólo por el centro de servicio calificado.

2 Consulte el manual del motor para conocer el cronograma de mantenimiento de este elemento.

NOTA: La frecuencia de mantenimiento debe ser mayor si se el generador se usa en zonas de mucho polvo.

Si el generador ha sobrepasado los valores máximos especificados en el cuadro, aun debe seguirse el programa de mantenimiento de acuerdo con los intervalos allí recomendados.

CORRECCIÓN DE PROBLEMAS

PROBLEMA	CAUSA POSIBLE	SOLUCIÓN
El motor no arranca.	La batería no está cargada. Verificar LED indicadora del motor El interruptor del motor está en APAGADO (OFF). No hay combustible. Gasolina pasada o agua pasada en la gasolina. Está bajo el nivel de lubricante. Está cerrada la válvula de combustible (OFF). Bujía defectuosa, sucia o con separación incorrecta. El motor almacenado sin tratamiento ni vaciado de gasolina, o reabastecido de gasolina de mala calidad. Filtro de combustible sucio.	Cargue la batería. Comuníquese con un centro de servicio calificado. Ponga el interruptor del motor en ENCENDIDO (ON). Llene el tanque de combustible. Drene todo el sistema y reabastézcalo con combustible nuevo. El motor posee un apagado por poco aceite. Si el nivel del lubricante del motor es bajo, debe llenarse antes de que la unidad arranque. Revise el nivel del lubricante del motor, y reabastézcalo si es necesario. Abra la válvula (ON). Reemplace la bujía. Vacíe el combustible. Reabastezca de gasolina fresca la unidad. Reemplazar del filtro de combustible o comuníquese con un centro de servicio calificado.
Cuesta trabajo arrancar el motor.	Hay agua en la gasolina. Está débil la chispa de la bujía.	Drene todo el sistema y reabastézcalo con combustible nuevo. Reemplazar la bujía o comuníquese con un centro de servicio calificado.
Le falta potencia al motor.	Está sucio el filtro de aire. Verificar LED indicadora del motor El motor almacenado sin tratamiento ni vaciado de gasolina, o reabastecido de gasolina de mala calidad.	Compruebe el elemento de filtro de aire. Limpie o reemplace según sea necesario. Comuníquese con un centro de servicio calificado. Vacíe el combustible. Reabastezca de gasolina fresca la unidad. Si el problema continúa, comuníquese con un centro de servicio calificado.
No se inicia la función de arranque eléctrico.	Los cables de la batería están desconectados. La batería no está cargada. El fusible del circuito de carga de la batería fundido.	Conecte los cables de la batería. Cargue la batería. Reemplace el fusible del circuito de carga de la batería.
No funciona el receptáculo de corriente alterna.	Se disparó el disyuntor del circuito. Se disparó la clavija GFCI. Está defectuoso el dispositivo conectado.	Reajuste el disyuntor de circuito de AC. Reajuste el GFCI. Pruebe con un dispositivo diferente.
El generador produce un ruido como de “cascabeleo” o “explosiones”.	Un leve ruido ocasional de “cascabeleo” o “explosiones” si la carga es pesada no debe ser causa de preocupación. No obstante, si tal cascabeleo o explosiones ocurren con una carga normal a velocidad estable del motor, el problema puede ser la marca de gasolina utilizada.	Cambie a una marca diferente de gasolina, y asegúrese de que sea de un octanaje de 86 por lo menos. Si el problema continúa, comuníquese con un centro de servicio calificado.

Si el problema persiste después de probar las soluciones mencionadas arriba, contacto con el servicio al cliente o con un centro de servicio calificado para solicitar asistencia.

AVISO:

Como propietario equipo, usted es responsable de la que realice el mantenimiento obligatorio que se indica en la sección *Mantenimiento*. Le recomendamos que guarde todos los comprobantes relacionados con el mantenimiento de su equipo. Negligencia o falta del mantenimiento indicado puede aumentar las emisiones, reducir la eficiencia del combustible, perjudicar el funcionamiento, provocar daños irreversibles al motor y anulará su garantía.

Este producto tiene una garantía limitada de tres años para fines personales, familiares o domésticos (90 días para usos trabajo o comercial). Para obtener detalles sobre la garantía, diríjase a www.ryobitools.com o llame sin cargo al 1-800-860-4050.



OPERATOR'S MANUAL
MANUEL D'UTILISATION
MANUAL DEL OPERADOR
7,000 WATT GENERATOR
GÉNÉRATRICE DE 7 000 WATTS
GENERADOR 7 000 WATTS

RY907000FI

• **PARTS AND SERVICE:** Prior to requesting service or purchasing replacement parts, please obtain your item, manufacturing, and serial numbers from the product data plate.

ITEM NO. _____

MANUFACTURING NO. _____

SERIAL NO. _____

HOW TO OBTAIN REPLACEMENT PARTS: Replacement parts can be purchased online at www.ryobitools.com or by calling 1-800-860-4050. Replacement parts can also be obtained at one of our service centers.

HOW TO LOCATE A SERVICE CENTER: Service centers can be located online at www.ryobitools.com or by calling 1-800-860-4050.

HOW TO OBTAIN CUSTOMER OR TECHNICAL SUPPORT: To obtain customer or technical support please contact us at 1-800-860-4050.

RYOBI is a trademark of Ryobi Limited and is used pursuant to a license granted by Ryobi Limited.

• **PIÈCES ET SERVICE :** Avant de faire la demande de service ou l'achat de pièces de remplacement, veuillez obtenir le numéro d'article, le numéro de fabrication et le numéro de série à partir de la plaque de données du produit.

NUMÉRO D'ARTICLE _____

NUMÉRO DE FABRICATION _____

NUMÉRO DE SÉRIE _____

COMMENT OBTENIR LES PIÈCES DE REMPLACEMENT : Les pièces de remplacement peuvent être achetées en ligne sur le site www.ryobitools.com ou par téléphone au 1-800-860-4050. Les pièces de remplacement peuvent être obtenues à un de nos centres de service.

COMMENT TROUVER UN CENTRE DE SERVICE : Les centres de service peuvent être localisés en ligne au www.ryobitools.com ou en téléphonant au 1-800-860-4050.

COMMENT OBTENIR DE L'AIDE EN CONTACTANT LE SERVICE À LA CLIENTÈLE : Pour contacter le service à la clientèle pour une question technique ou pour tout autre renseignement, veuillez nous téléphoner au 1-800-860-4050.

RYOBI est une marque de Ryobi Limited et est utilisée en vertu d'une licence accordée par Ryobi Limited.

• **PIEZAS DE REPUESTO Y SERVICIO:** Antes de solicitar servicio técnico o comprar piezas de repuesto, obtenga su número de artículo, el número de fabricación y el número de serie de la placa de datos del producto.

NÚMERO DE ARTÍCULO _____

NÚMERO DE FABRICACIÓN _____

NÚMERO DE SERIE _____

CÓMO OBTENER PIEZAS DE REPUESTO: Las piezas de repuesto se pueden comprar en nuestro sitio en la red mundial, en la dirección www.ryobitools.com o llamando al 1-800-860-4050. Las piezas de repuesto también se pueden obtener en uno de nuestros centros de servicio.

CÓMO LOCALIZAR UN CENTRO DE SERVICIO: Puede encontrar los centros de servicio visitando nuestro sitio en la red mundial, en la dirección www.ryobitools.com or by calling 1-800-860-4050.

CÓMO OBTENER SERVICIO O ASISTENCIA TÉCNICA AL CONSUMIDOR: Para obtener servicio o asistencia técnica al consumidor, sírvase comunicarse con nosotros llamando al 1-800-860-4050.

RYOBI es una marca de Ryobi Limited y se utiliza conforme a una licencia otorgada por Ryobi Limited.

TECHTRONIC INDUSTRIES POWER EQUIPMENT

995000250
2-15-19 (REV:03)

P.O. Box 1288, Anderson, SC 29622 USA
1-800-860-4050 • www.ryobitools.com