



**Call Us First!**

**DO NOT RETURN TO STORE.**

**For immediate help with assembly or product information  
call our toll-free number:**

**1-888-827-9056**

**or email:**

**[customerservice@backyardproductsllc.com](mailto:customerservice@backyardproductsllc.com)**

**Our staff is ready to provide assistance.**

**April through October M - F 8:00 AM to 9:00 PM EST**

**Saturday 8:30 AM to 5:00 PM EST**

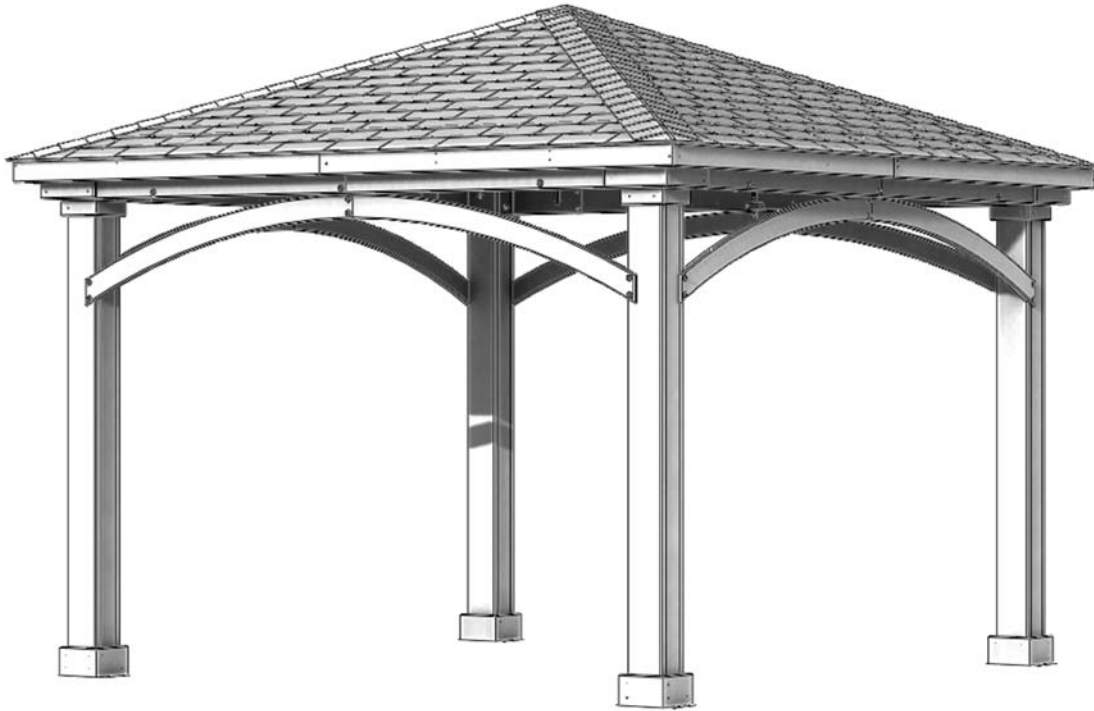
**November through March M - F 8:00 AM to 8:00 PM EST**

(This page intentionally left blank.)

## WOOD PAVILION 12' X 12'

ACTUAL FLOOR SIZE IS 11' X 11'

KEEP THIS MANUAL FOR FUTURE REFERENCE



### IMPORTANT!

READ INSTRUCTIONS THOROUGHLY PRIOR TO BEGINNING ASSEMBLY.

### BEFORE YOU BEGIN

- **BUILDING INSTRUCTIONS AND APPROVALS**

Be sure to check local building department and homeowners association for specific restrictions and/or requirements before building

- **ENGINEERED DRAWINGS**

Contact our Customer Service Team if engineered drawings are needed to pull local permits.

- **SURFACE PREPARATION**

To ensure proper assembly you must build your pavilion on a level surface.

- **CHECK ALL PARTS**

Inventory all parts listed on Part Identification page inside this manual. Contact our Customer Service Team if any parts are missing or damaged.

- **ADDITIONAL MATERIAL**

You will need additional materials to complete your Wood Pavilion. See inside this manual for required and optional materials and quantities.

### - CUSTOMER SERVICE -

Call: 1-888-827-9056 email: [customerservice@backyardproductsllc.com](mailto:customerservice@backyardproductsllc.com)

## **IMPORTANT SAFETY INFORMATION**



***IT IS VERY IMPORTANT TO READ AND FOLLOW THE SAFETY PRECAUTIONS BEFORE ASSEMBLY AND DURING THE USE OF THE PRODUCT.***

1. The backyard pavilion is designed primarily to extend the outdoor use of your home.  
***DO NOT USE STRUCTURE AS FOLLOW:***
  - As safety barrier to prevent unsupervised access to pools, hot tubs, spas or ponds.
  - As load bearing support for other structures, buildings or heavy objects.
  - As a support for swings or hammocks. If you wish to suspend products to the structure, ensure that the total weight of articles does not exceed 15 pounds. Suspend nothing from the structure in case of strong winds.
2. Wood is not flame retardant and has the potential of burning. Do not place any type of heat source on/under the structure or within 5 ft of the unit including, but not limited to, a barbecue, chiminea or fire pits. Consult the user's manual of these items for safe distances from combustible materials.
3. This structure is a four-season product.
4. Permanent structures may require a building permit. It is the consumer's responsibility to comply with building rules, regulations/zoning restrictions orders or any other regional restrictions and obtain the required permits before purchasing this product and installing it.
5. Always install the product on a solid level surface or platform. Level and anchor the structure, this will reduce the gap at wood connections during assembly.
6. This product must be anchored to either wood or concrete using the appropriate fasteners and anchors for the chosen flooring. (not included)
7. Check for underground utilities before digging or driving stakes into the ground.
8. Keep all children and pets away from assembly area.
9. Do not assemble the product in days of wind or rain.
10. Wear gloves to avoid injury from possible sharp edges of individual elements before assembly.
11. During installation, follow all safety warnings provided with your tools and use OSHA approved safety glasses.
12. A minimum of two people is required to install safely.
13. To avoid damages to the product its parts and surroundings, use the proper tools. Do not use the product as a support. The use of a ladder(s) is required.


















## **GENERAL INFORMATION**

Wood components are manufactured with Cedar (*Cunninghamia lanceolata*) which is protected with factory applied water-based stain. As your pavilion acclimates to its new environment, natural characteristics of the wood can show in the form of checks (cracks) and weathering in the lumber. This is normal and it will not affect the structural integrity of your structure and is not covered under warranty.

Annual application of water-based water-repellent sealant or stain is important and will help reduce weathering and checks.

## ASSEMBLY GUIDES

### TOOLS REQUIRED:

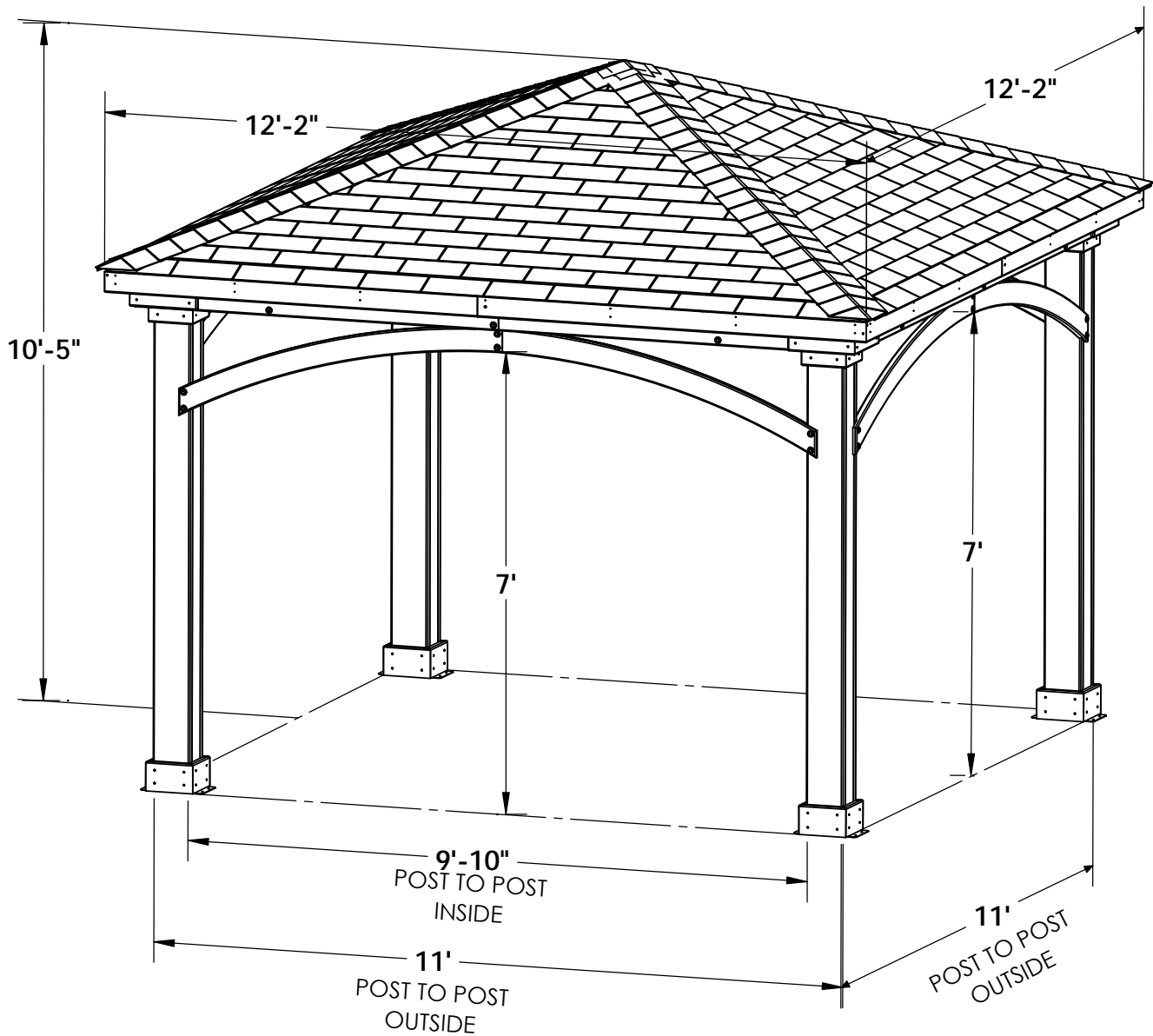
- |  |   |  |   |
|--|---|--|---|
| <ul style="list-style-type: none"> <li>• Tape Measure</li> </ul>   |    | <ul style="list-style-type: none"> <li>• Safety Glasses</li> </ul>   |    |
| <ul style="list-style-type: none"> <li>• Carpenters Level</li> </ul>   |    | <ul style="list-style-type: none"> <li>• Hard Hat</li> </ul>   |    |
| <ul style="list-style-type: none"> <li>• Drill / Driver               <ul style="list-style-type: none"> <li>○ 1/8" Drill Bit</li> <li>○ 1/4" Drill Bit</li> </ul> </li> </ul> |    | <ul style="list-style-type: none"> <li>• Square</li> </ul>   |    |
| <ul style="list-style-type: none"> <li>• Wrench               <ul style="list-style-type: none"> <li>○ 7/16", 1/2" &amp; 9/16"</li> </ul> </li> </ul>                          |    | <ul style="list-style-type: none"> <li>• Ratchet</li> </ul>  |    |
| <ul style="list-style-type: none"> <li>• Socket               <ul style="list-style-type: none"> <li>○ 7/16", 1/2" &amp; 9/16"</li> </ul> </li> </ul>                          |    | <ul style="list-style-type: none"> <li>• Tool Belt</li> </ul>  |    |
| <ul style="list-style-type: none"> <li>• 8' Step Ladder</li> </ul>   |    | <ul style="list-style-type: none"> <li>• Tin Snips</li> </ul>  |    |
| <ul style="list-style-type: none"> <li>• 6' Step Ladder</li> </ul>   |    | <ul style="list-style-type: none"> <li>• Chalk Line</li> </ul>   |    |
| <ul style="list-style-type: none"> <li>• Safety Gloves</li> </ul>  |   | <ul style="list-style-type: none"> <li>• Utility Knife               <ul style="list-style-type: none"> <li>○ Straight Blades</li> <li>○ Shingle Hooked Blade</li> </ul> </li> </ul> |   |
| <ul style="list-style-type: none"> <li>• Caulk Gun</li> </ul>  |  |  |  |
| <ul style="list-style-type: none"> <li>• Small Bar Clamp</li> </ul>  |  |  |   |

## PROPER MAINTENANCE

- Check metal parts for rust. If found, sand and repaint using a non-lead paint complying with 16 CFR 1303.
- Inspect and tighten all hardware after completion of assembly: after first month of use: and then annually. Do not over-tighten as to cause crushing and splintering of wood.
- Check for sharp edges or protruding screw threads, add washers if required.
- Applying a water repellent or stain (water-based) on a yearly basis is important maintenance to maintain maximum life and performance of the product.
- Check all wood members for deterioration, structural damage and splintering. Sand down splinters and replace deteriorated wood members. As with all wood, some checking and small cracks in grain is normal.
- Some gapping may occur at some wood connections.
- Keep vegetation trimmed away from structure. Water from sprinklers must be kept off unit.

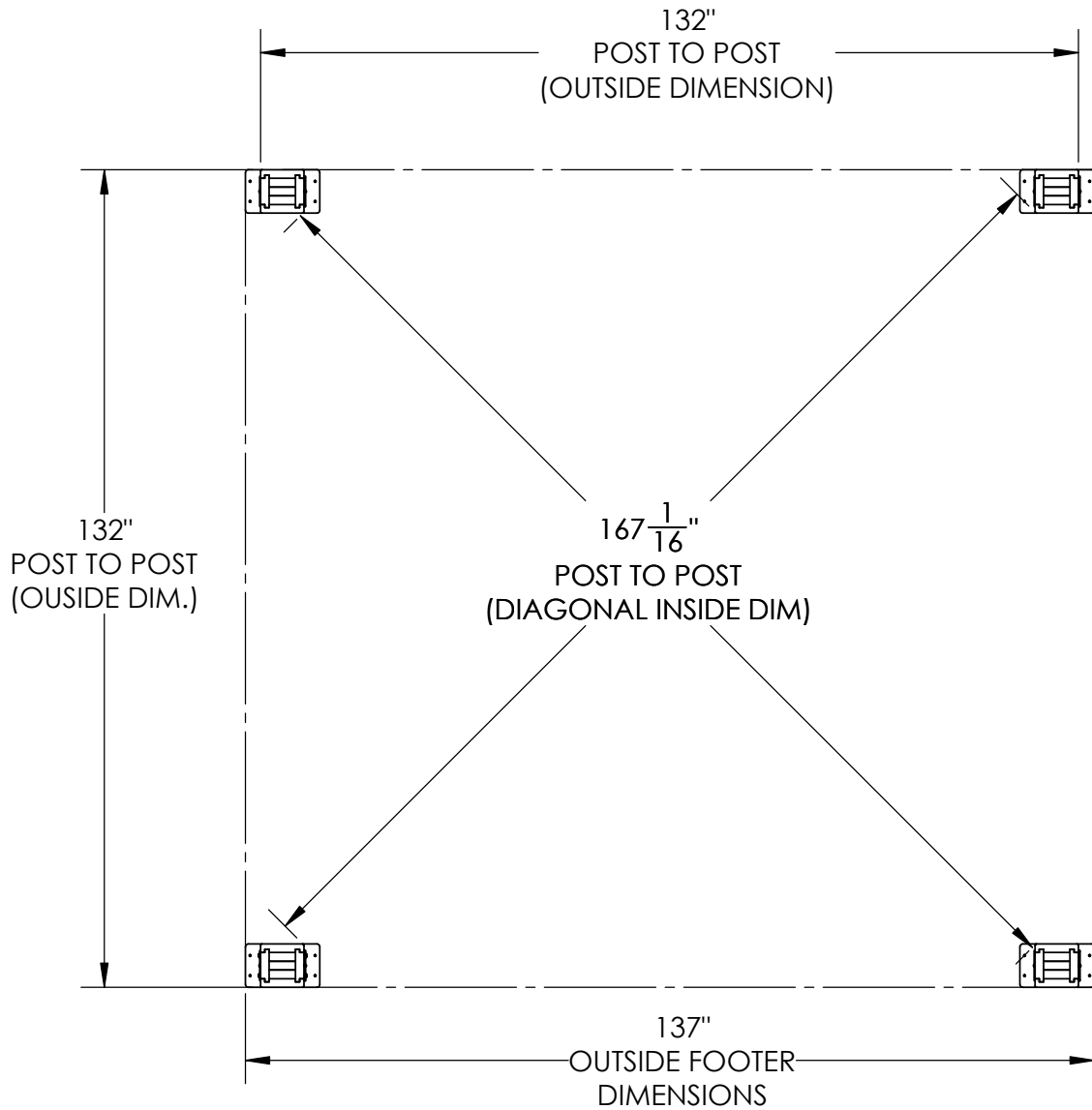
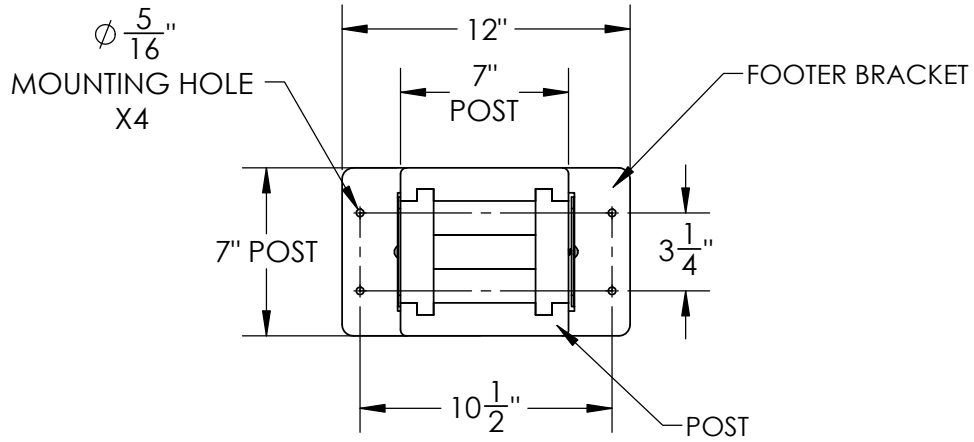
# 12 X 12 WOOD PAVILION SPECIFICATIONS

<b>Box 1</b>	14"H x 18"W x 100"L	Approximately 260 lbs
<b>Box 2</b>	10"H x 27"W x 106"L	Approximately 307 lbs
<b>Box 3</b>	7-1/2"H x 48-1/2"W x 96-1/2"L	Approximately 407 lbs



TOTAL HEIGHT :	10' - 5"
HEAD CLEARANCE :	7' - 0"
POST TO POST :	11' - 0"
ROOF WIDTH :	12' - 2"

# POST LAYOUT



# ANCHORING

 **IT IS IMPORTANT THAT THIS PAVILION BE ANCHORED ON A FLAT AND LEVEL SOLID BASE. PLEASE REFER TO THE RECOMMENDED ANCHORING METHODS SHOWN BELOW.**

## **FAILURE TO ANCHOR WILL VOID YOUR WARRANTY**

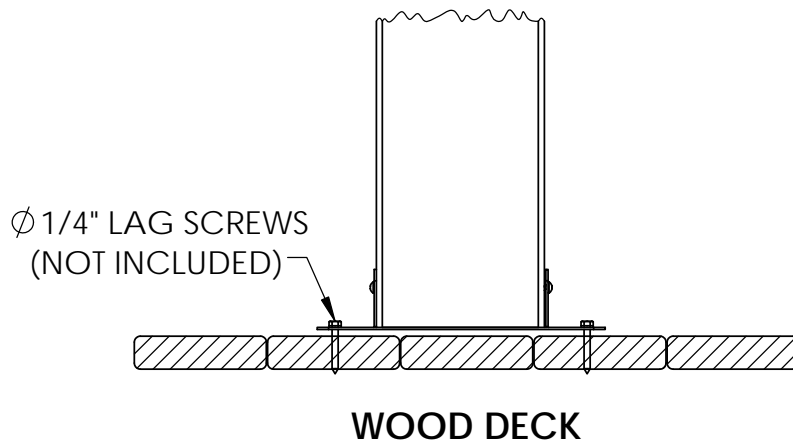
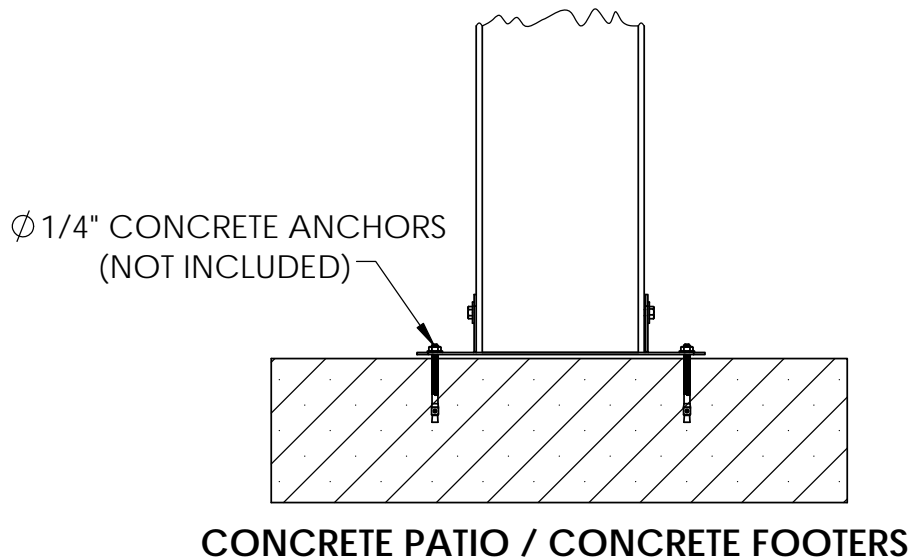
We supply Post Mounts with this structure which gives you the flexibility to permanently install your structure to a pre-existing or new wood or concrete surface.

- The Hardware to attach the Post Mount to the structure is included.
- The Hardware to mount the structure permanently will need to be purchased separately at your local hardware store.

If you are mounting to concrete footers see page 7 for the correct locations and placement. Please double check for possibility of any underground utilities such as gas, telephone, cable or sprinkler lines.

Following are some examples of how to mount the structure to wood or concrete surfaces.

Refer to your local building and city codes, ordinances, neighborhood covenants, or height restrictions regarding this type of structure for guidance on acceptable installation requirements.



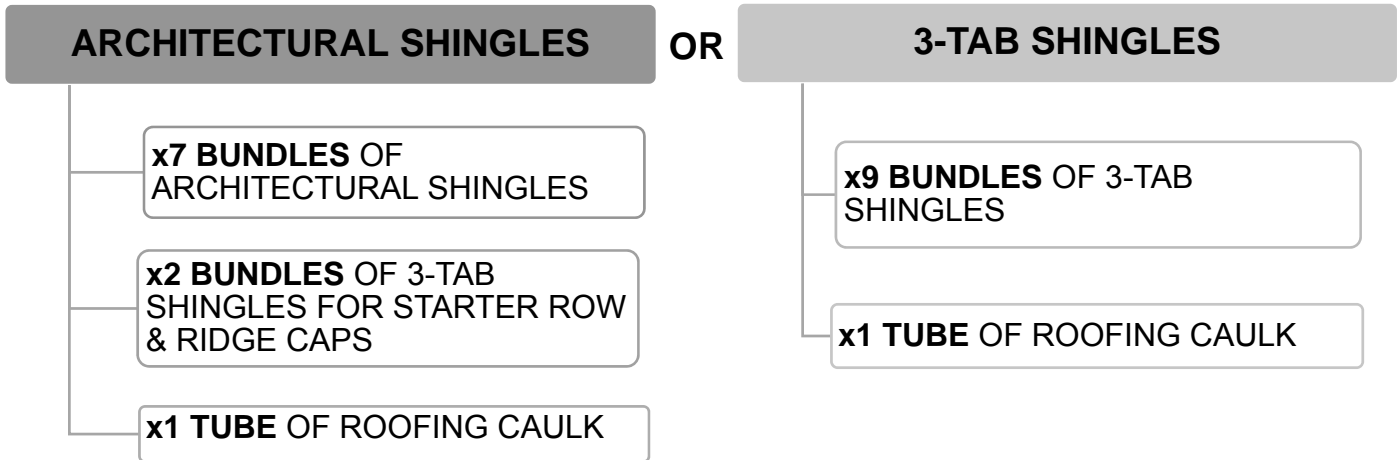


# ADDITIONAL MATERIALS

## ! REQUIRED TO VALIDATE YOUR WARRANTY !

### 1. SHINGLES:

TWO SHINGLE TYPES TO CHOOSE FROM



**NOTE: THERE IS 168 SQUARE FEET OF ROOF DECKING.**

### 2. DRIP EDGE:

- 60 ft OF DRIP EDGE NEEDED.

### 3. ROOF FELT:

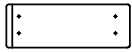



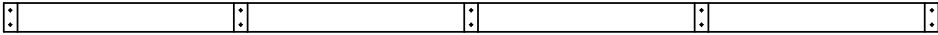
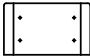
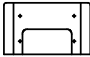

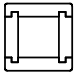
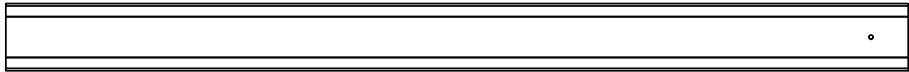


- 234 SQUARE FEET OF ROOF FELT NEEDED
- 9/16" OR SHORTER STAPLES TO ATTACH ROOF FELT

### 4. ANCHOR HARDWARE:

- SEE PAGE 8 FOR ANCHORING OPTIONS.

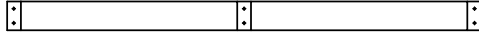
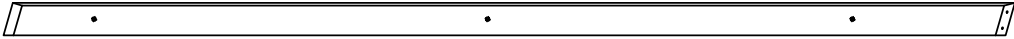


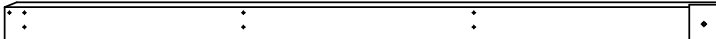
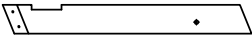
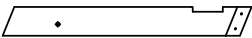
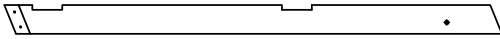
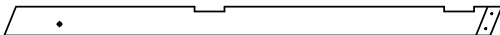
# PART IDENTIFICATION

## BOX 1

QTY.	PART No.	DESCRIPTION	STAMP ID	APPROXIMATE DIMENSIONS
X 8	063-5-1288-TTL	TOP TRIM LARGE	<b>A</b>	5/8 x 4-1/2 x 12-7/8"
				<b>TWO PARTS PACKED IN EACH POST</b>
X16	1-3-0850-BST	BEAM SUPPORT TRIM	<b>B</b>	3/4 x 3 x 8-1/2"
				<b>FOUR PARTS PACKED IN EACH POST</b>
X 4	125-3-9738-SL	STRAP LONG	<b>D</b>	1 x 3 x 97-3/8"
				
X 8	125-6-0900-BT	BOTTOM TRIM	<b>G</b>	1 x 5-3/8 x 9"
				
X 8	125-6-0900-BTN	BOTTOM TRIM NOTCHED	<b>H</b>	1 x 5-3/8 x 9"
				
X 4	2-6-8775-BC	BEAM CENTER	<b>V</b>	1-3/8 x 5-3/8 x 87-3/4"
				
X 4	7-7-9400-P	POST	<b>Y</b>	7 x 7 x 94"
				
			<b>IMPORTANT PARTS ARE PACKED INSIDE POSTS. MAKE SURE ALL PARTS ARE REMOVED FROM INSIDE POSTS.</b>	
X 1	2-2-0200-PB	PEAK BLOCK	<b>AD</b>	1-3/8 X 1-3/8 X 2"
				

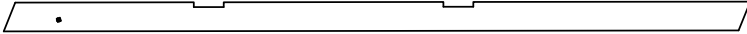








# PART IDENTIFICATION

## BOX 2

QTY.	PART No.	DESCRIPTION	STAMP ID	APPROXIMATE DIMENSIONS
X 4	125-3-4938-SS	STRAP SHORT	<b>C</b>	1 x 3 x 49-3/8"
				
X 4	125-4-1053-RCLH	RAFTER CORNER LH	<b>E</b>	1 x 3-3/8 x 105-3/8"
				
X 4	125-4-1053-RCRH	RAFTER CORNER RH	<b>F</b>	1 x 3-3/8 x 105-3/8"
				
X 4	125-425-7440-FRH	FASCIA RH	<b>I</b>	1-1/4 x 4-1/4 x 74-1/2"
				
X 4	125-425-7428-FLH	FASCIA LH	<b>J</b>	1-1/4 x 4-1/4 x 74-1/4"
				
X 4	2-3-2593-RSLH	RAFTER SHORT LH	<b>K</b>	1-3/8 x 3 x 25-15/16"
				
X 4	2-3-2593-RSRH	RAFTER SHORT RH	<b>L</b>	1-3/8 x 3 x 25-15/16"
				
X 4	2-3-5183-RLLH	RAFTER LONG LH	<b>M</b>	1-3/8 x 3 x 51-13/16"
				
X 4	2-3-5183-RLRH	RAFTER LONG RH	<b>N</b>	1-3/8 x 3 x 51-13/16"
				

# PART IDENTIFICATION

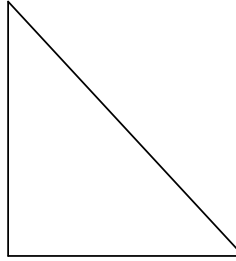
## BOX 2 (CONT'D)

QTY.	PART No.	DESCRIPTION	STAMP ID	APPROXIMATE DIMENSIONS
X 4	2-3-7777-CR	CENTER RAFTER	O	1-3/8 x 3 x 77-3/4"
				
X 4	2-6-2400-BRS	BEAM REAR SHORT	P	1-3/8 x 5-3/8 x 24"
				
X 4	2-6-2675-BRL	BEAM REAR LONG	Q	1-3/8" x 5-3/8 x 26-3/4"
				
X 2	2-6-6694-BFSLH	BEAM FRONT SHORT LH	R	1-3/8 x 5-3/8 x 66-15/16"
				
X 2	2-6-6694-BFSRH	BEAM FRONT SHORT RH	S	1-3/8 x 5-3/8 x 66-15/16"
				
X 2	2-6-6968-BFLLH	BEAM FRONT LONG LH	T	1-3/8 x 5-3/8 x 69-11/16"
				
X 2	2-6-6968-BFLRH	BEAM FRONT LONG RH	U	1-3/8 x 5-3/8 x 69-11/16"
				
X 4	2-9-6486-CLH	CORBEL LH	W	1-3/8 x 8-5/16 x 64-13/16"
				
X 4	2-9-6486-CRH	CORBEL RH	X	1-3/8 x 8-5/16 x 64-13/16"
				

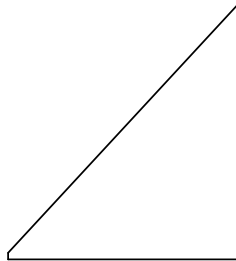
# PART IDENTIFICATION

## BOX 3

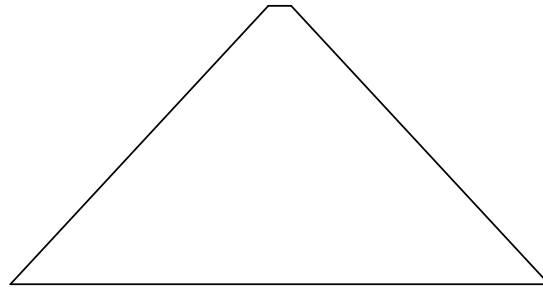
QTY.	PART No.	DESCRIPTION	STAMP ID	APPROXIMATE DIMENSIONS
X 4	625-238-2650-PSRH	PLYWOOD SIDE RH	<b>Z</b>	5/8 x 23-7/8 x 26-1/2"



X 4	625-238-2650-PSLH	PLYWOOD SIDE LH	<b>AA</b>	5/8 x 23-7/8 x 26-1/2"
-----	-------------------	-----------------	-----------	------------------------



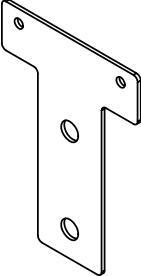
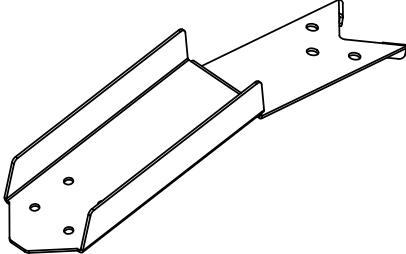
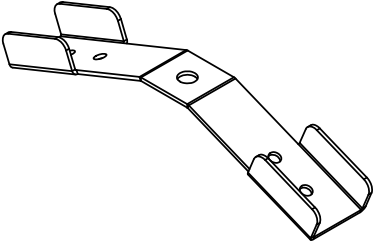
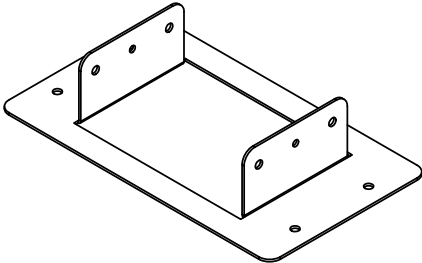
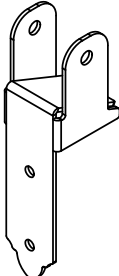
X 4	625-29-5613-PT	PLYWOOD TOP	<b>AB</b>	5/8 x 56-1/8 x 29"
-----	----------------	-------------	-----------	--------------------




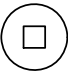

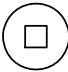

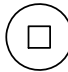


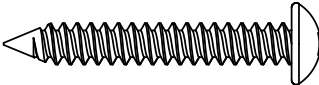
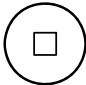
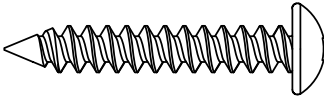
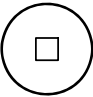
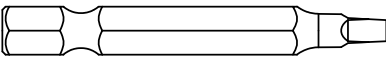

X 4	625-48-9600-PC	PLYWOOD CENTER	<b>AC</b>	5/8 x 48 x 96"
-----	----------------	----------------	-----------	----------------

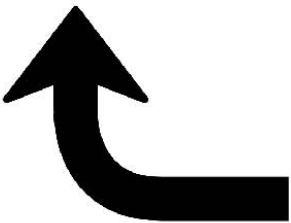


# BRACKETS

BAG #	PACK QTY.	DESCRIPTION	
09-4-0575-CB	X 4	CORBEL BRACKET	
23-18-1044-HB	X 4	HIP BRACKET	
16-16-9291-PB	X 2	PEAK BRACKET	
09-7-1200-FB	X 4	FOOTER BRACKET	
14-18-6090-RB	X 20	RAFTER BRACKET	

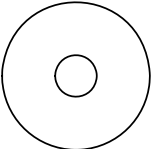
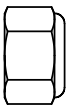

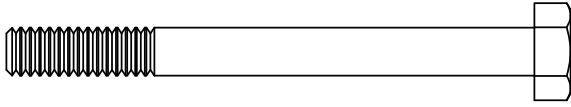
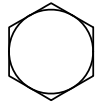
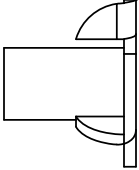
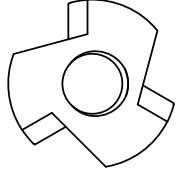
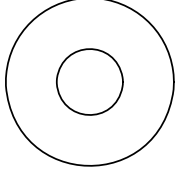
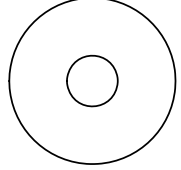
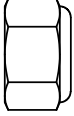

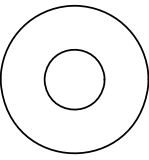
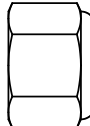
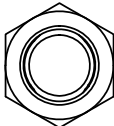
# HARDWARE

BAG #	PACK QTY.	DESCRIPTION		
1701PC	X 165	#8 X 1-1/2" WOOD SCREW		
1342PC	X 56	#8 X 2" WOOD SCREW		
1327PC	X 230	#8 X 2-1/2" WOOD SCREW		
1725BZ	X 20	#8 X 1-1/2" PAN HEAD SCREW		
1491BZ	X 67	#12 X 1-1/2" PAN HEAD SCREW		
1724BZ	X 20	#14 X 1-1/2" PAN HEAD SCREW		
FS2524	X 1	#2 SQUARE DRIVE BIT		



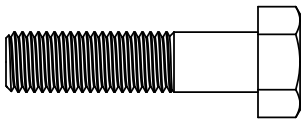
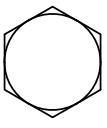
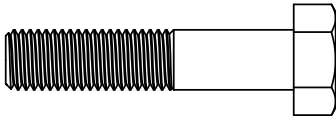
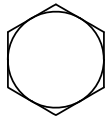
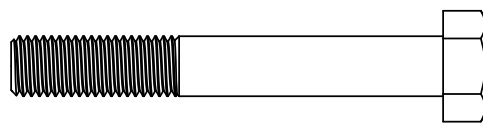
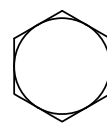
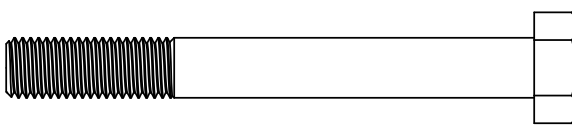
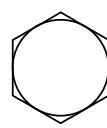
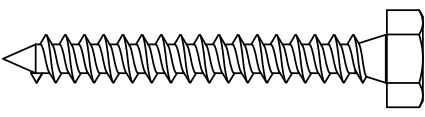
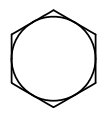
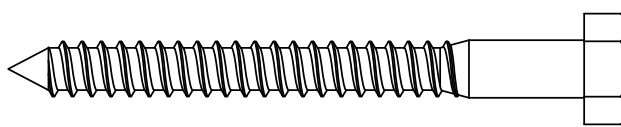
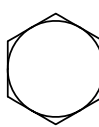
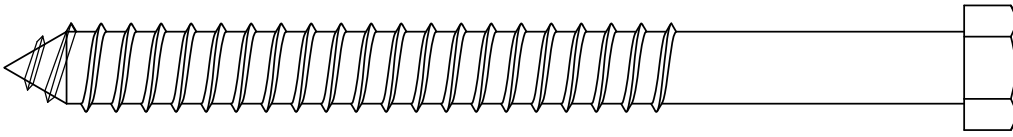
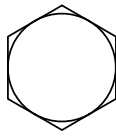
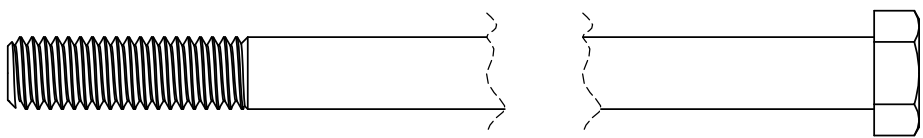
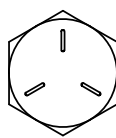
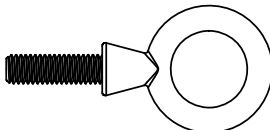
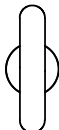
**HINT!** THIS NUMBER IS PRINTED ON BAGS  
FOR EASE IN IDENTIFICATION

# HARDWARE

BAG #	PACK QTY.	DESCRIPTION		
1499BZ	X 42	1/4" WIDE WASHER		
			(NOT TO SCALE)	
1386BZ	X 15	1/4" LOCK NUT		
1719BZ	X 12	1/4" X 2-3/4" HEX BOLT		
1381BZ	X 40	5/16" T-NUT		
1336BZ	X 65	5/16" REGULAR WASHER		
1721BZ	X 54	5/16" WIDE WASHER		
			(NOT TO SCALE)	
1396BZ	X 22	5/16" LOCK NUT		
1318BZ	X 27	3/8" REGULAR WASHER		
			(NOT TO SCALE)	
1320BZ	X 10	3/8" LOCK NUT		



# HARDWARE

BAG #	PACK QTY.	DESCRIPTION		
1465BZ	X 4	5/16" X 1-5/16" HEX BOLT		
1703BZ	X 16	5/16" X 1-1/2" HEX BOLT		
1498BZ	X 20	5/16" X 2-1/4" HEX BOLT		
1720BZ	X 16	5/16" X 2-3/4" HEX BOLT		
1727Z	X 16	1/4" X 2" HEX LAG SCREW		
15173BZ	X 16	5/16" X 3" HEX LAG SCREW		
1723BZ	X 8	3/8" X 5" HEX LAG SCREW		
1722BZ	X 8	3/8" X 10-1/2" HEX BOLT		
(NOT TO SCALE)				
1390BZ	X 1	3/8" X 1-1/4" CLOSED EYE BOLT 1" DIA. WITH SHOULDER		

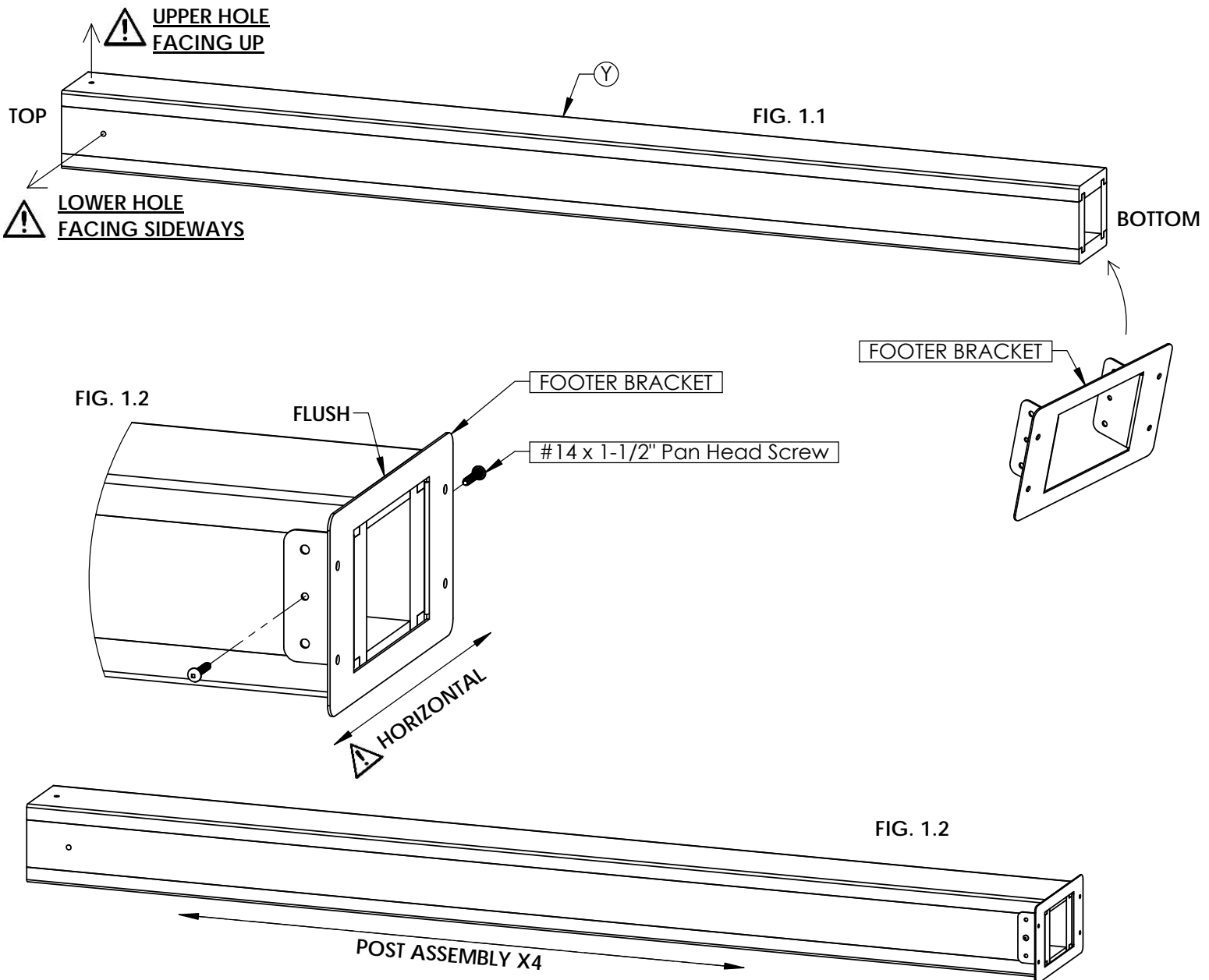
(NOT TO SCALE)



# STEP 1: POST ASSEMBLY

STAMP ID	WOOD COMPONENTS	BAG #	HARDWARE
Y	POST x 4	1724BZ	#14 x 1-1/2 Pan Head Screw X 8
		09-7-1200-FB	Footer Bracket X 4

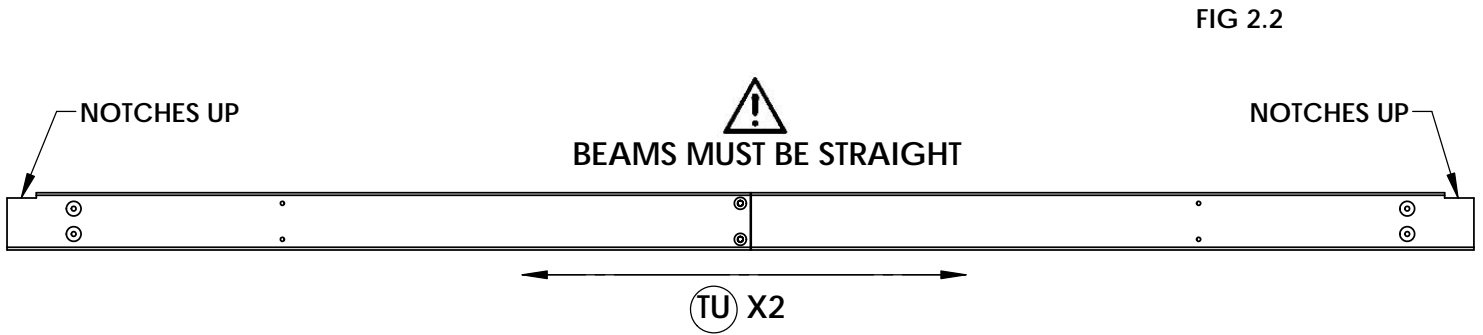
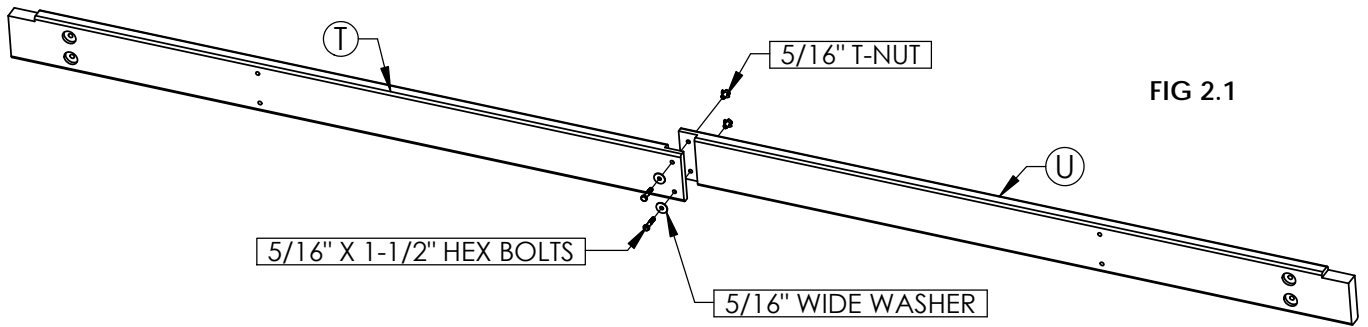
- WITH POST LAYING ON THE GROUND, ORIENT UPPER HOLE FACING UP AND LOWER HOLE FACING SIDWAYS. (FIG 1.1)
- ATTACH FOOTER BRACKET TIGHT TO BOTTOM AND OUTSIDE FACES OF POST. ORIENT FOOTER BRACKET HORIZONTALLY AS SHOWN. (FIG 1.2)



# STEP 2: LONG BEAM ASSEMBLY

STAMP ID	WOOD COMPONENTS	BAG #	HARDWARE	
T	BEAM FRONT LONG LH X 2	1381BZ	5/16" T-NUT	X 4
U	BEAM FRONT LONG RH X 2	1703BZ	5/16" X 1-1/2" HEX BOLT	X 4
		1721BZ	5/16" WIDE WASHER	X 4

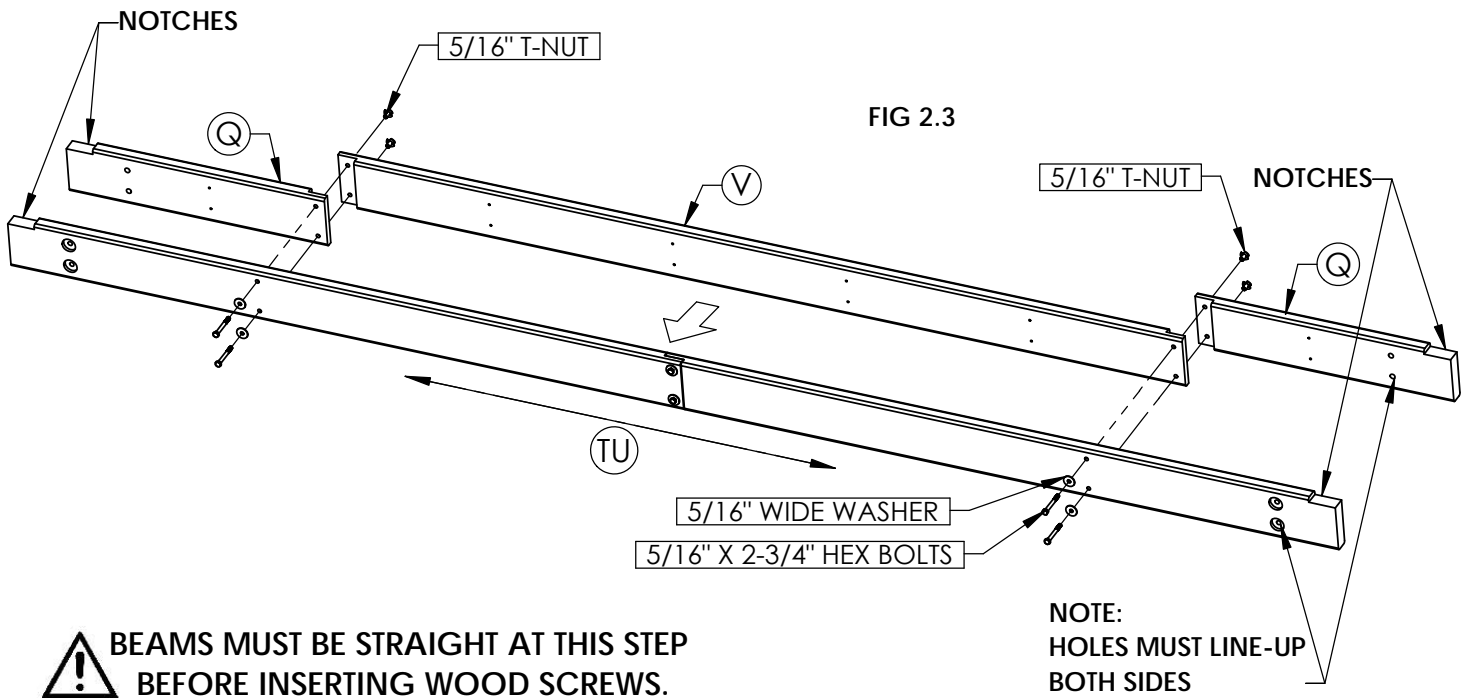
- ASSEMBLE TWO BEAM PARTS (T) + (U) AS SHOWN BELOW. (FIG 2.1)
- VERIFY THE ASSEMBLY IS STRAIGHT ALONG THE BEAMS AND FULLY TIGHTEN ALL HARDWARE. (FIG 2.2)



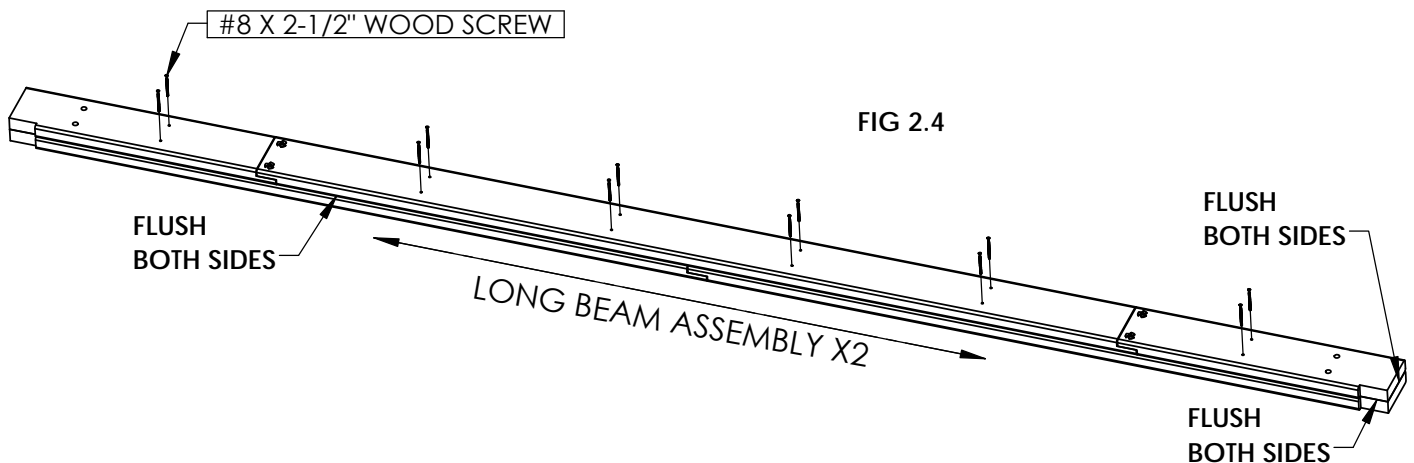
## STEP 2: LONG BEAM ASSEMBLY (CONT'D)

<u>STAMP ID</u>	<u>WOOD COMPONENTS</u>	<u>BAG #</u>	<u>HARDWARE</u>
Q	BEAM REAR LONG X 4	1381BZ	5/16" T-NUT X 8
V	BEAM CENTER X 2	1720BZ	5/16" X 2-3/4" HEX BOLT X 8
		1721BZ	5/16" WIDE WASHER X 8
		1327PC	#8 X 2-1/2" WOOD SCREW X 24

- ASSEMBLE TWO LONG BEAM ASSEMBLIES (Q) + (V) + (Q) + (TU) AS SHOWN BELOW. (FIG 2.3)
- VERIFY ALL HOLES LINE-UP BEFORE SECURING WITH WOOD SCREWS. (FIG 2.4)



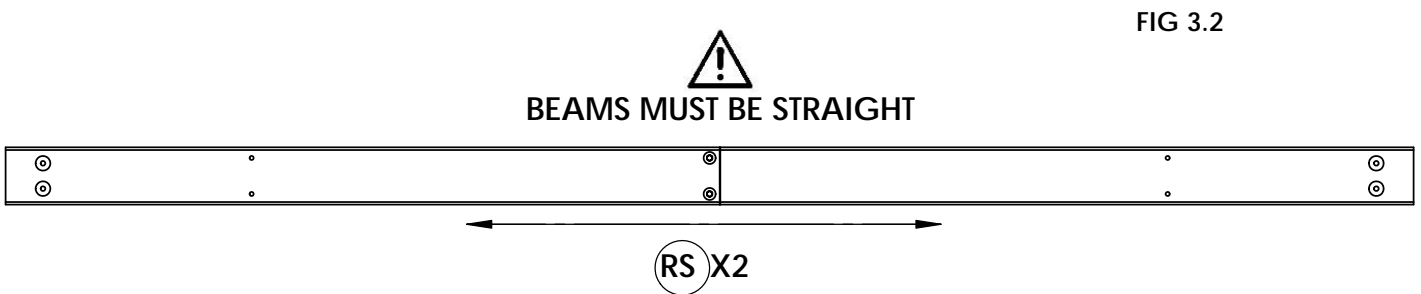
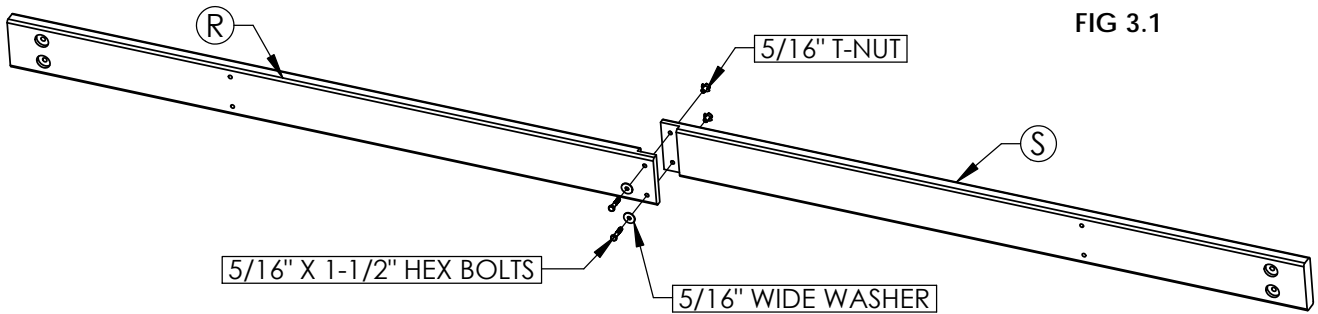
**⚠ BEAMS MUST BE STRAIGHT AT THIS STEP BEFORE INSERTING WOOD SCREWS.**



# STEP 3: SHORT BEAM ASSEMBLY

STAMP ID	WOOD COMPONENTS	BAG #	HARDWARE
R	BEAM FRONT SHORT LH X 2	1381BZ	5/16" T-NUT X 4
S	BEAM FRONT SHORT RH X 2	1703BZ	5/16" X 1-1/2" HEX BOLT X 4
		1721BZ	5/16" WIDE WASHER X 4

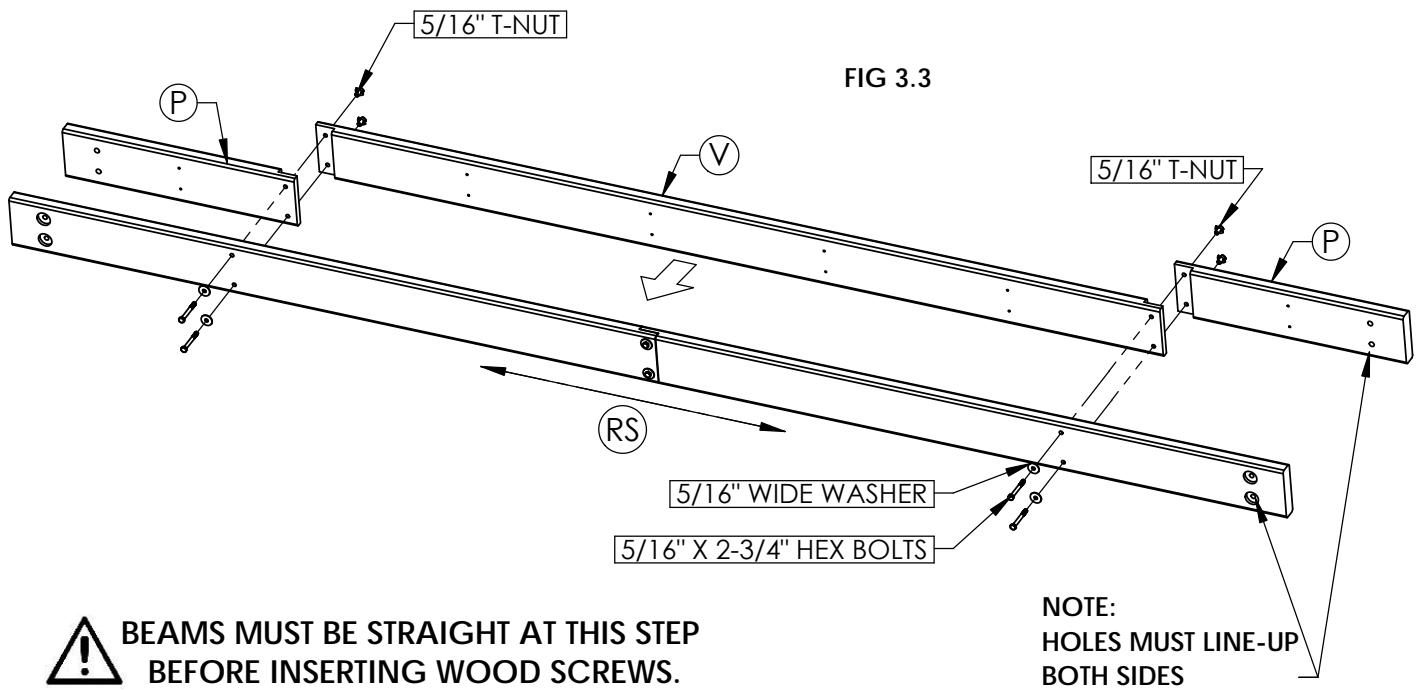
- ASSEMBLE TWO SHORT BEAM ASSEMBLIES (R) + (S) AS SHOWN BELOW. (FIG 3.1)
- VERIFY THE ASSEMBLY IS STRAIGHT ALONG THE BEAMS AND FULLY TIGHTEN ALL HARDWARE. (FIG 3.2)



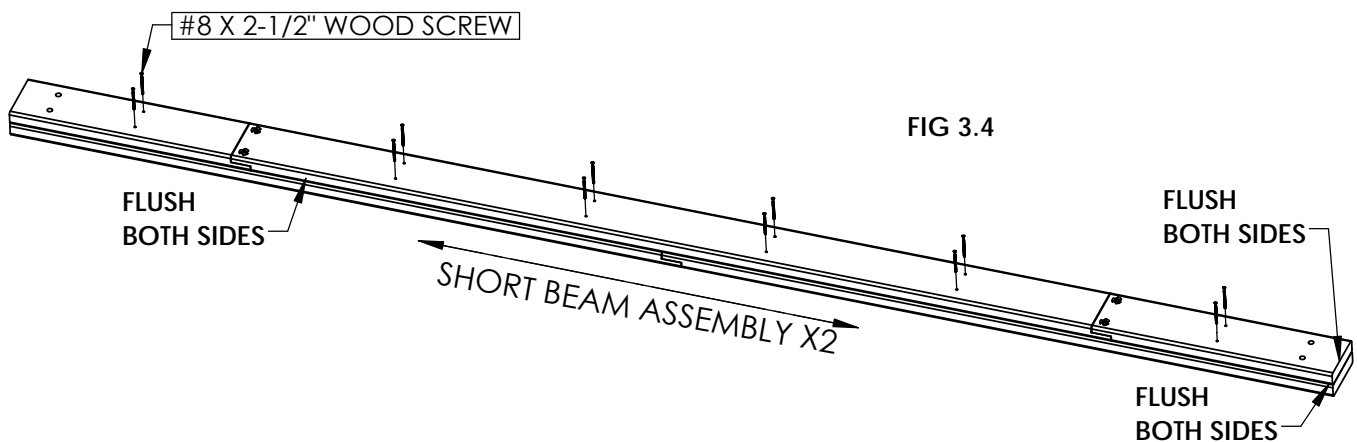
# STEP 3: SHORT BEAM ASSEMBLY (CONT'D)

STAMP ID	WOOD COMPONENTS	BAG #	HARDWARE
P	BEAM REAR SHORT X 4	1381BZ	5/16" T-NUT X 8
V	BEAM CENTER X 2	1720BZ	5/16" X 2-3/4" HEX BOLT X 8
		1721BZ	5/16" WIDE WASHER X 8
		1327PC	#8 X 2-1/2" WOOD SCREW X 24

- ASSEMBLE TWO SHORT BEAM ASSEMBLIES (P) + (V) + (P) + (RS) AS SHOWN BELOW. (FIG 3.3)
- VERIFY ALL HOLES LINE-UP BEFORE SECURING WITH WOOD SCREWS. (FIG 3.4)



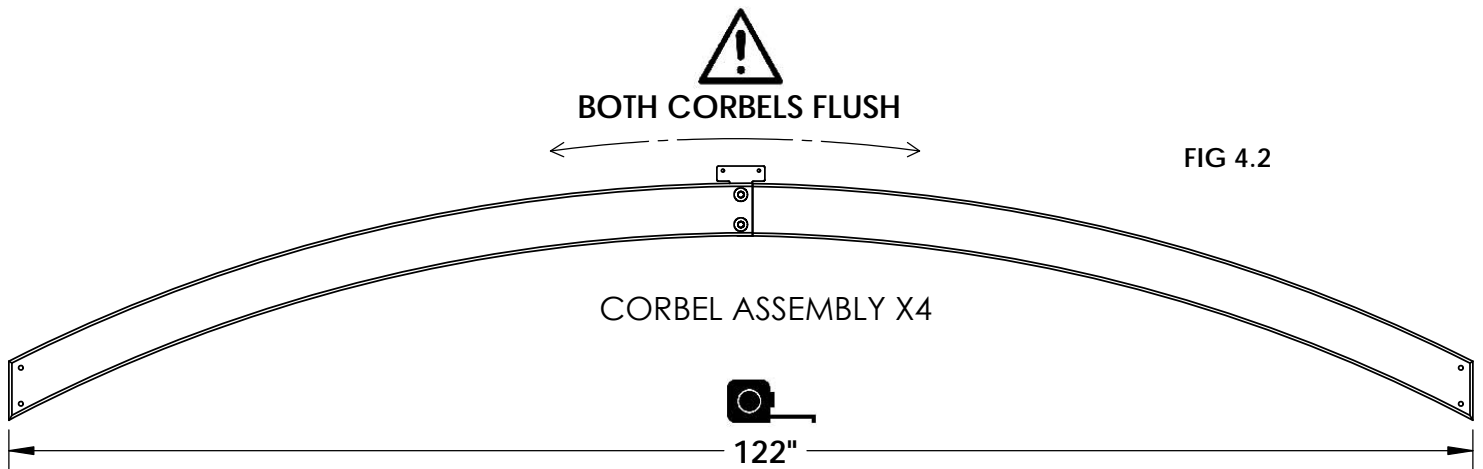
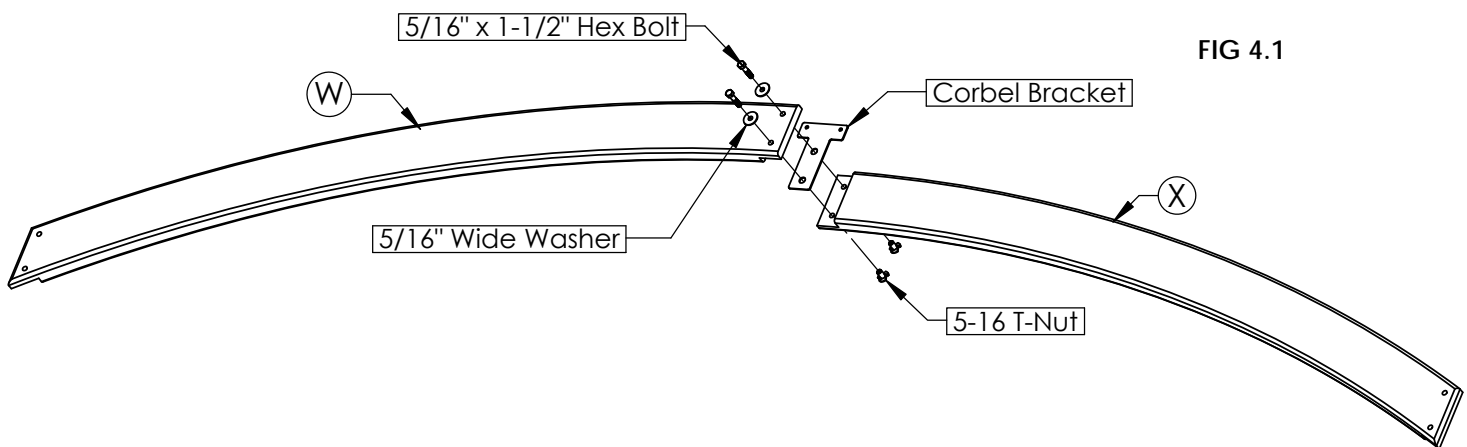
**⚠ BEAMS MUST BE STRAIGHT AT THIS STEP BEFORE INSERTING WOOD SCREWS.**



# STEP 4: CORBEL ASSEMBLY

STAMP ID	WOOD COMPONENTS	BAG #	HARDWARE	
W	ARCH CORBEL LH X 4	1703BZ	5/16" X 1-1/2" HEX BOLT	X 8
X	ARCH CORBEL RH X 4	1721BZ	5/16" WIDE WASHER	X 8
		1381BZ	5/16" T-NUT	X 8
		09-4-0575-CB	CORBEL BRACKET	X 4

- PLACE CORBEL BRACKET BETWEEN THE TWO ARCH CORBELS AT THE LAP JOINT. (FIG 4.1)
- MEASURE CORBEL ASSEMBLY AS SHOWN BELOW AND FULLY TIGHTEN ALL HARDWARE. (FIG 4.2)

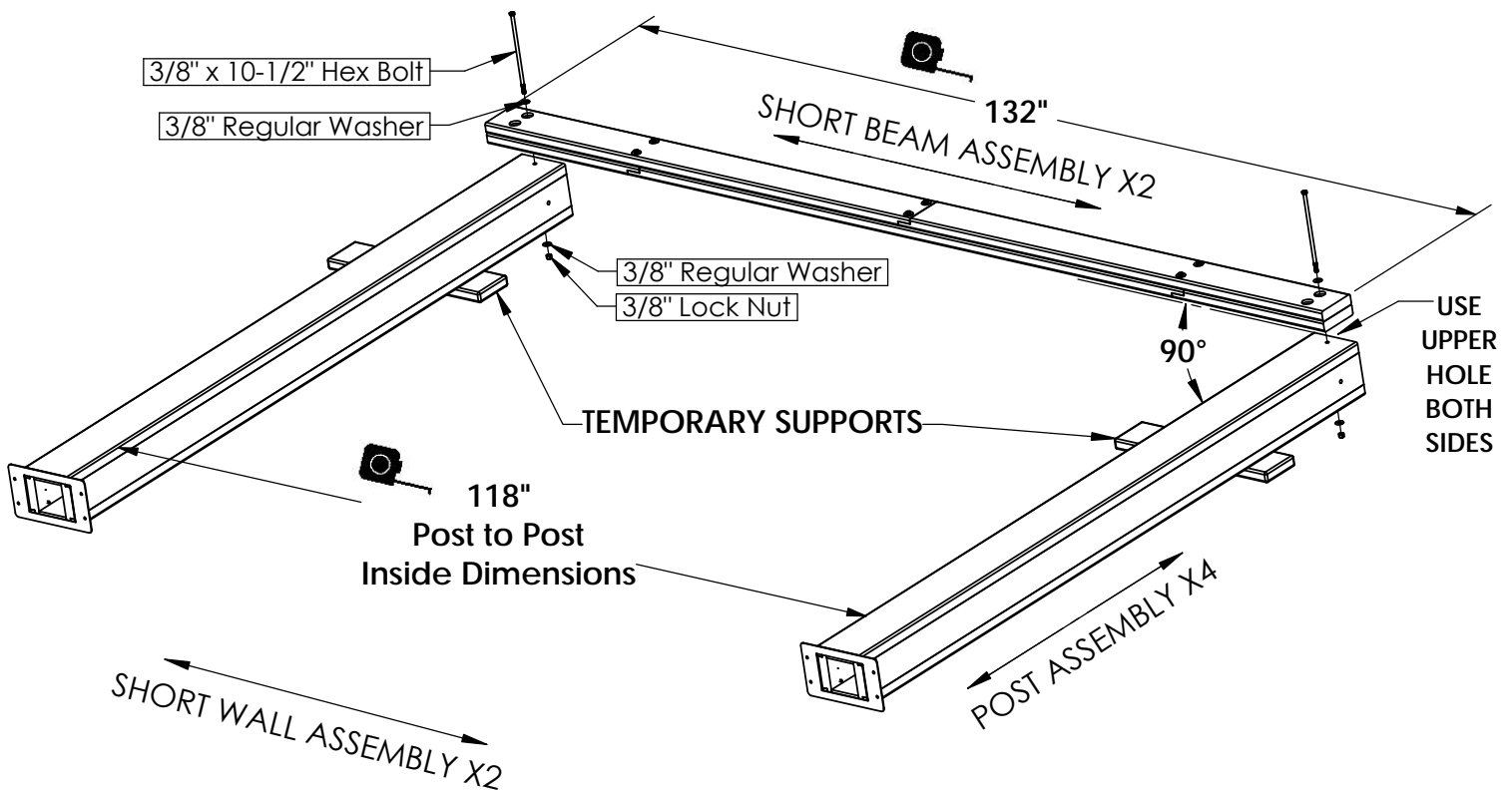




# STEP 5: SHORT WALL ASSEMBLY

<u>BAG #</u>	<u>HARDWARE</u>	
1722BZ	3/8" X 10-1/2" HEX BOLT	X 4
1318BZ	3/8" REGULAR WASHER	X 8
1320BZ	3/8" LOCK NUT	X 4

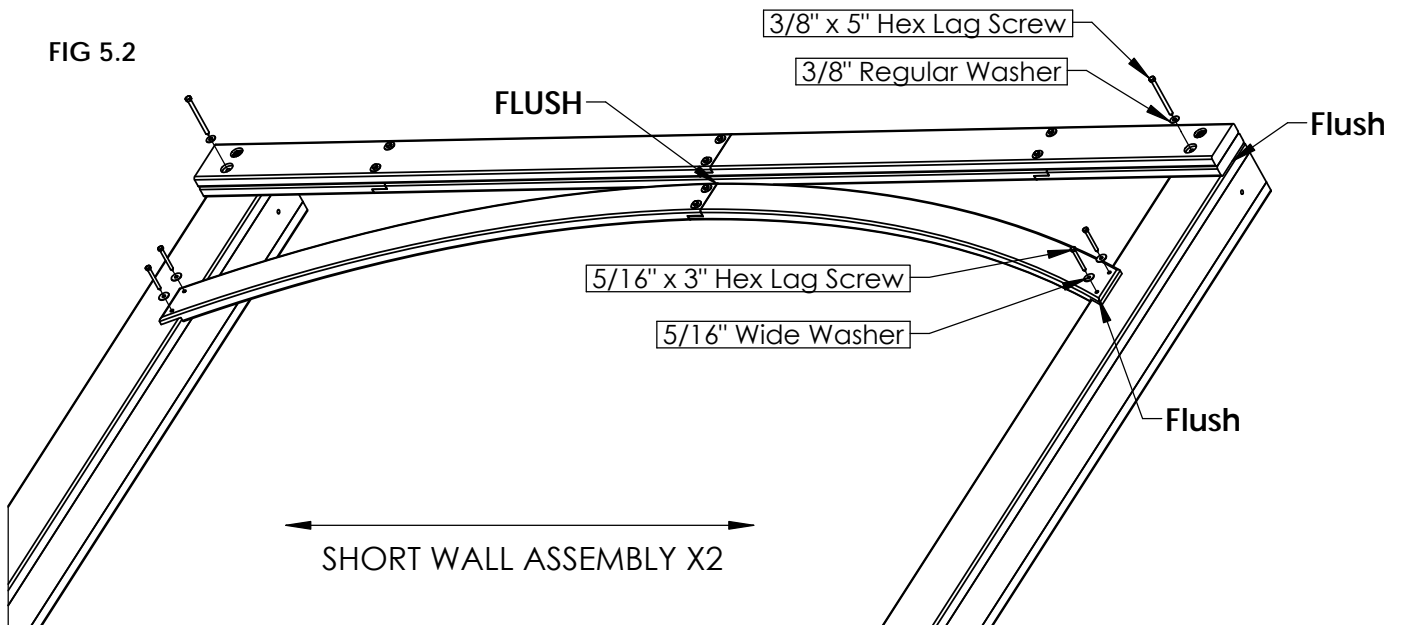
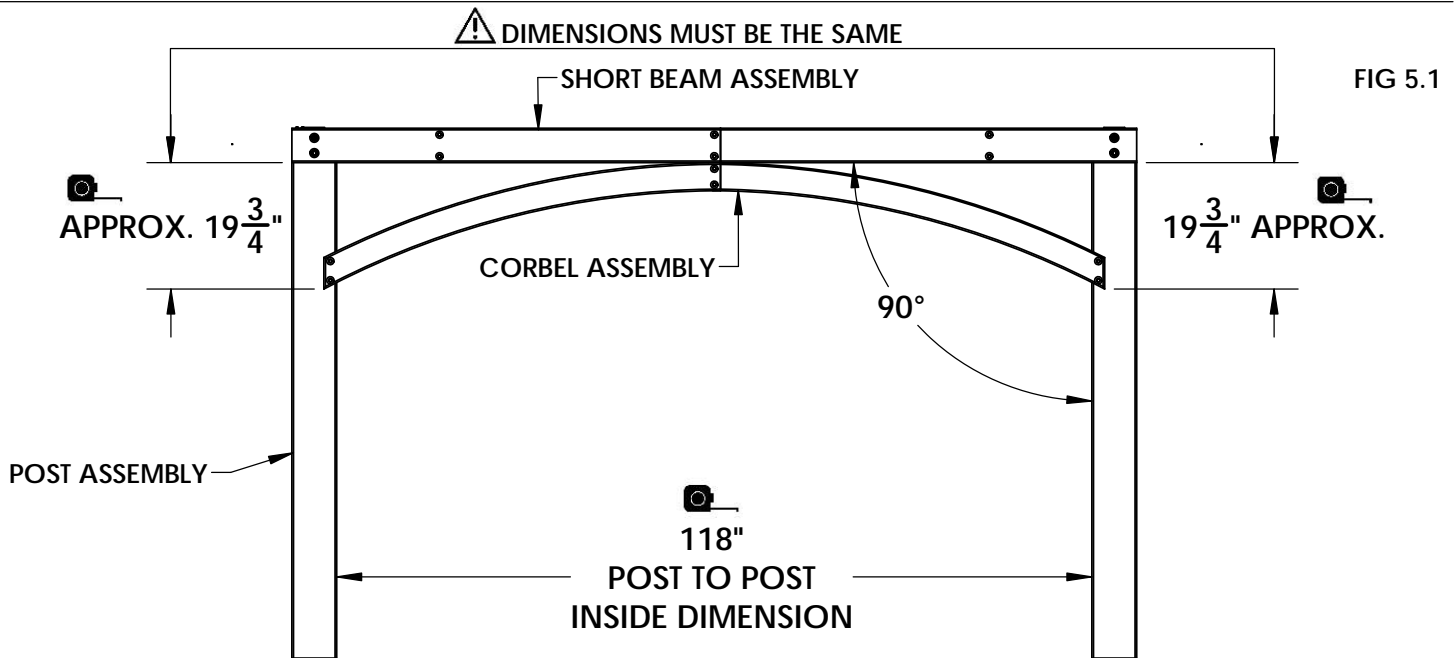
- PLACE A SUPPORT BLOCK UNDERNEATH EACH POST ASSEMBLY.
- MOUNT SHORT BEAM ASSEMBLY ON TOP OF BOTH POST ASSEMBLIES AS SHOWN BELOW AND FASTEN ALL HARDWARE.



# STEP 5: SHORT WALL ASSEMBLY (CONT'D)

BAG #	HARDWARE	
15173BZ	5/16" X 3" HEX LAG SCREW	X 8
1721BZ	5/16" WIDE WASHER	X 8
1723BZ	3/8" X 5" HEX LAG SCREW	X 4
1318BZ	3/8" REGULAR WASHER	X 4

- PLACE CORBEL ASSEMBLY ON TOP OF BOTH POSTS. CORBEL BRACKET WILL BE POSITIONED BEHIND THE BEAM ASSEMBLY. VERIFY ALL DIMENSIONS AS SHOWN. (FIG 5.1)
- PREDRILL ALL HOLES TO AVOID SPLITTING WOOD. FASTEN ASSEMBLY AS SHOWN.(FIG 5.2)



# STEP 5: SHORT WALL ASSEMBLY (CONT'D)

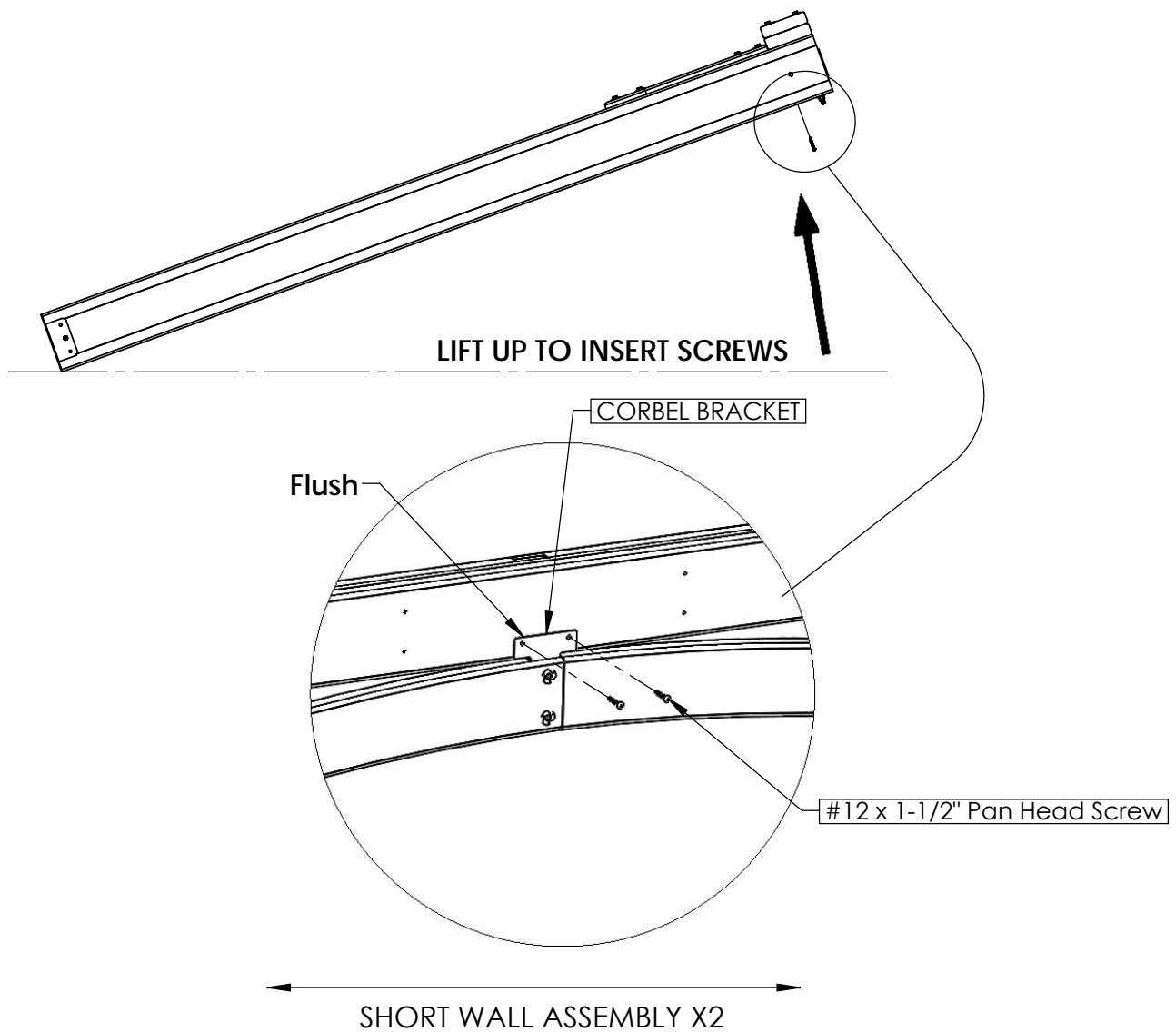
BAG #

1491BZ

HARDWARE

#12 X 1-1/2" PAN HEAD SCREW X 4

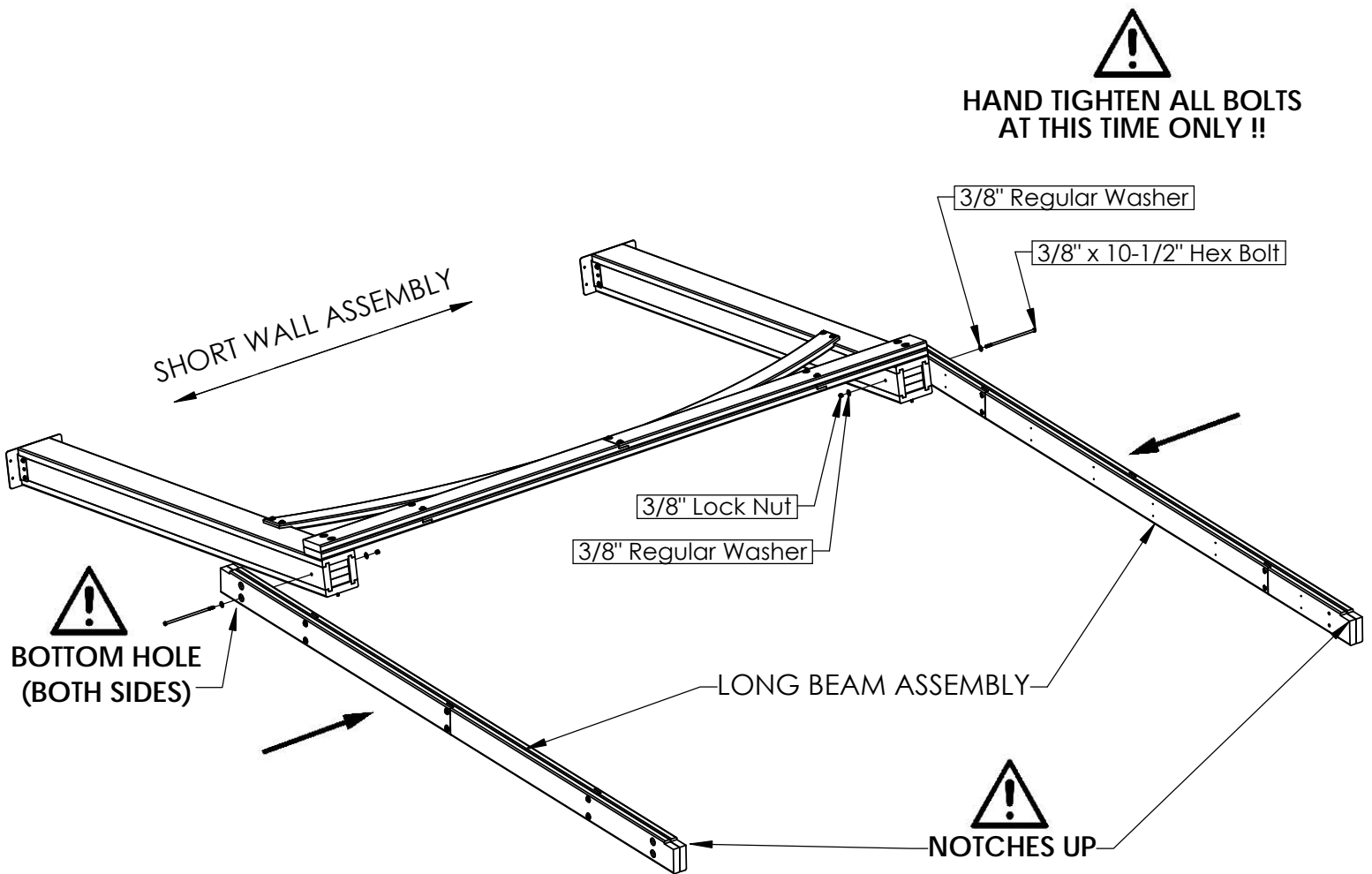
- LIFT UP WALL ABOUT WAIST HEIGHT TO FASTEN CORBEL BRACKET TO BEAM FROM BEHIND AS SHOWN.
- ASSISTANCE REQUIRED. 



# STEP 6: ATTACHING LONG BEAM TO SHORT WALL

<u>BAG #</u>	<u>HARDWARE</u>	
1722BZ	3/8" X 10-1/2" HEX BOLT	X 2
1318BZ	3/8" REGULAR WASHER	X 4
1320BZ	3/8" LOCK NUT	X 2

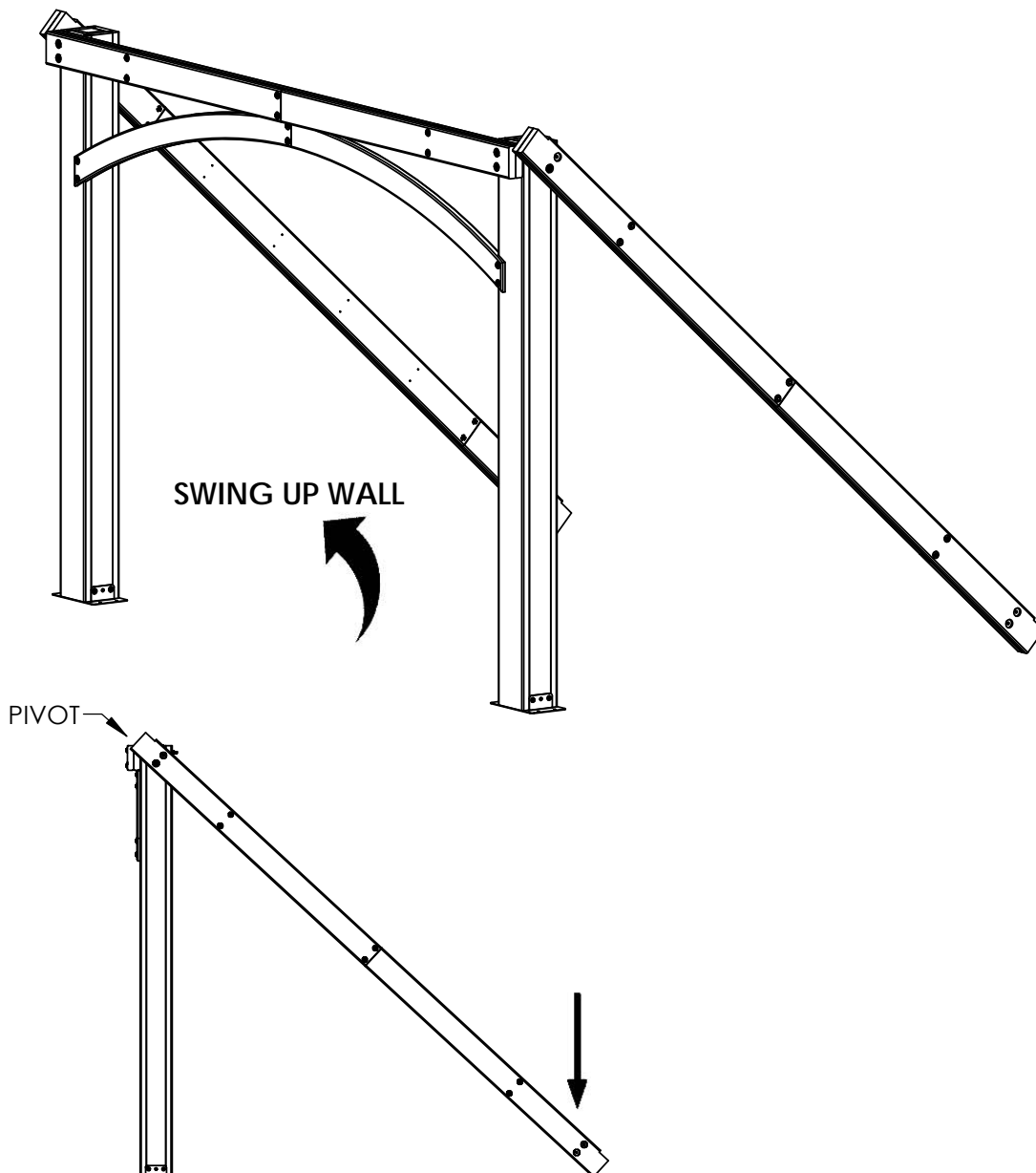
- LAY SHORT WALL ASSEMBLY ON GROUND AS SHOWN BELOW.
- ATTACH LONG BEAM ASSEMBLIES WITH NOTCHES FACING UP TO BOTH SIDES OF THE WALL. **HAND TIGHTEN ALL BOLTS AT THIS TIME ONLY!!**



## STEP 7: LIFTING SHORT WALL


---

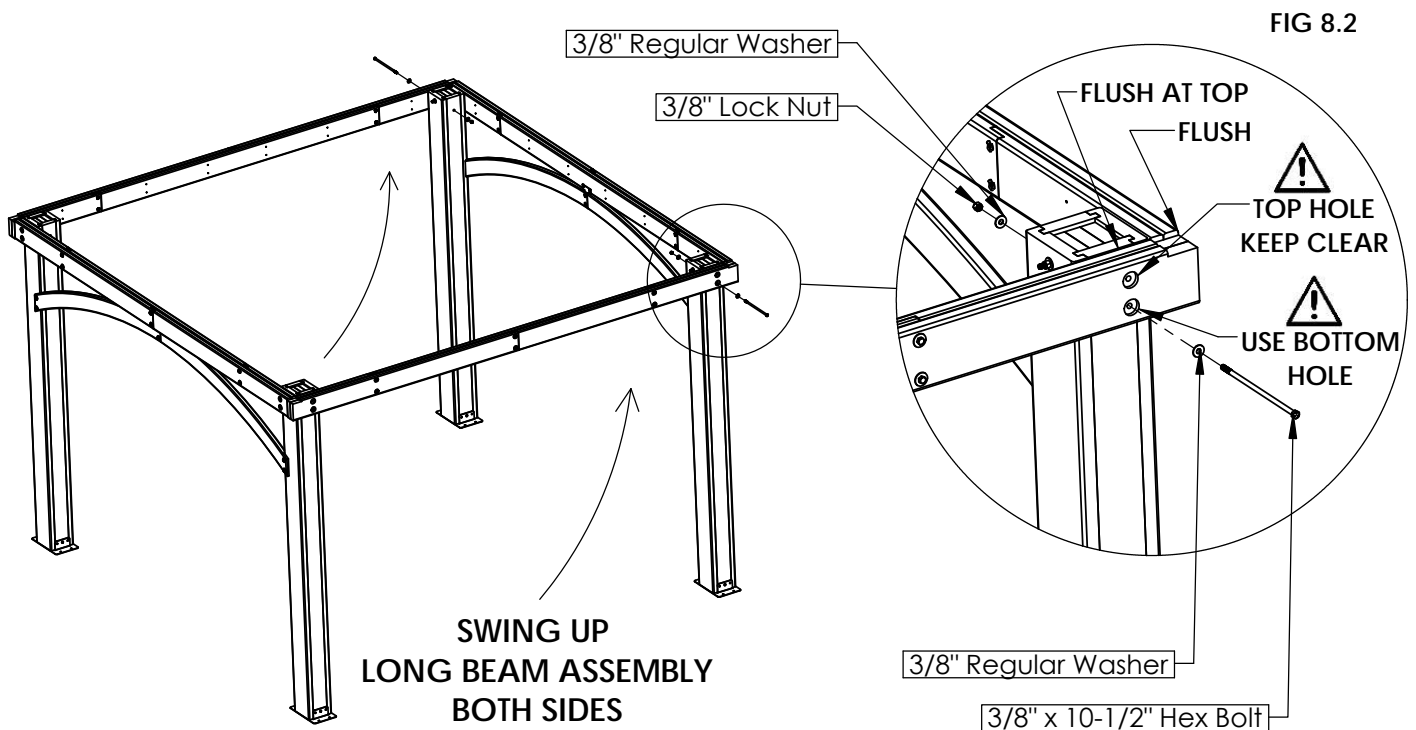
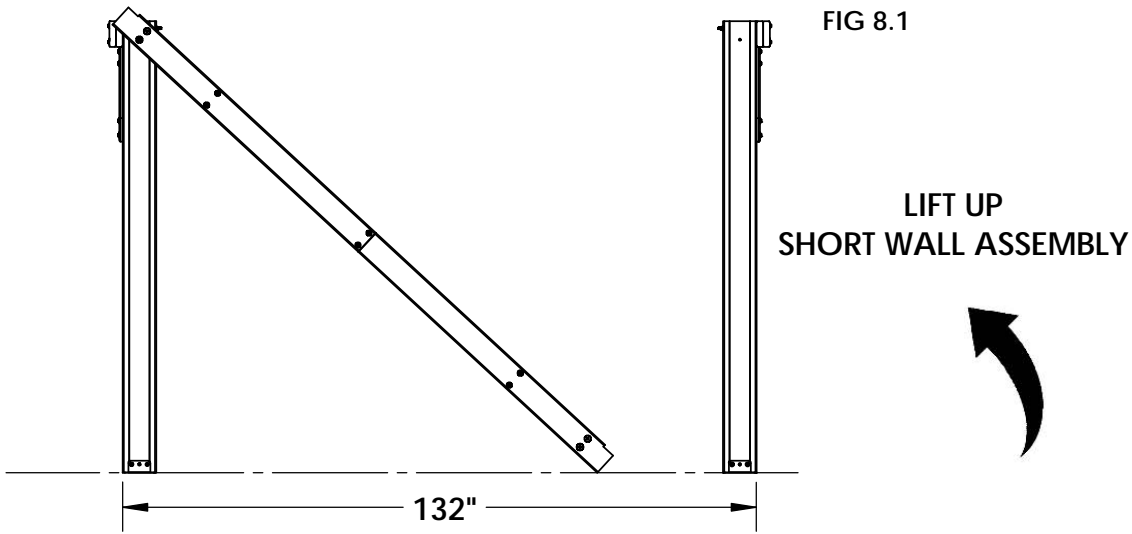
- SWING UP WALL AS SHOWN BELOW.
- ASSISTANCE REQUIRED



# STEP 8: BASE ASSEMBLY


BAG #	HARDWARE	
1722BZ	3/8" X 10-1/2" HEX BOLT	X 2
1318BZ	3/8" REGULAR WASHER	X 4
1320BZ	3/8" LOCK NUT	X 2

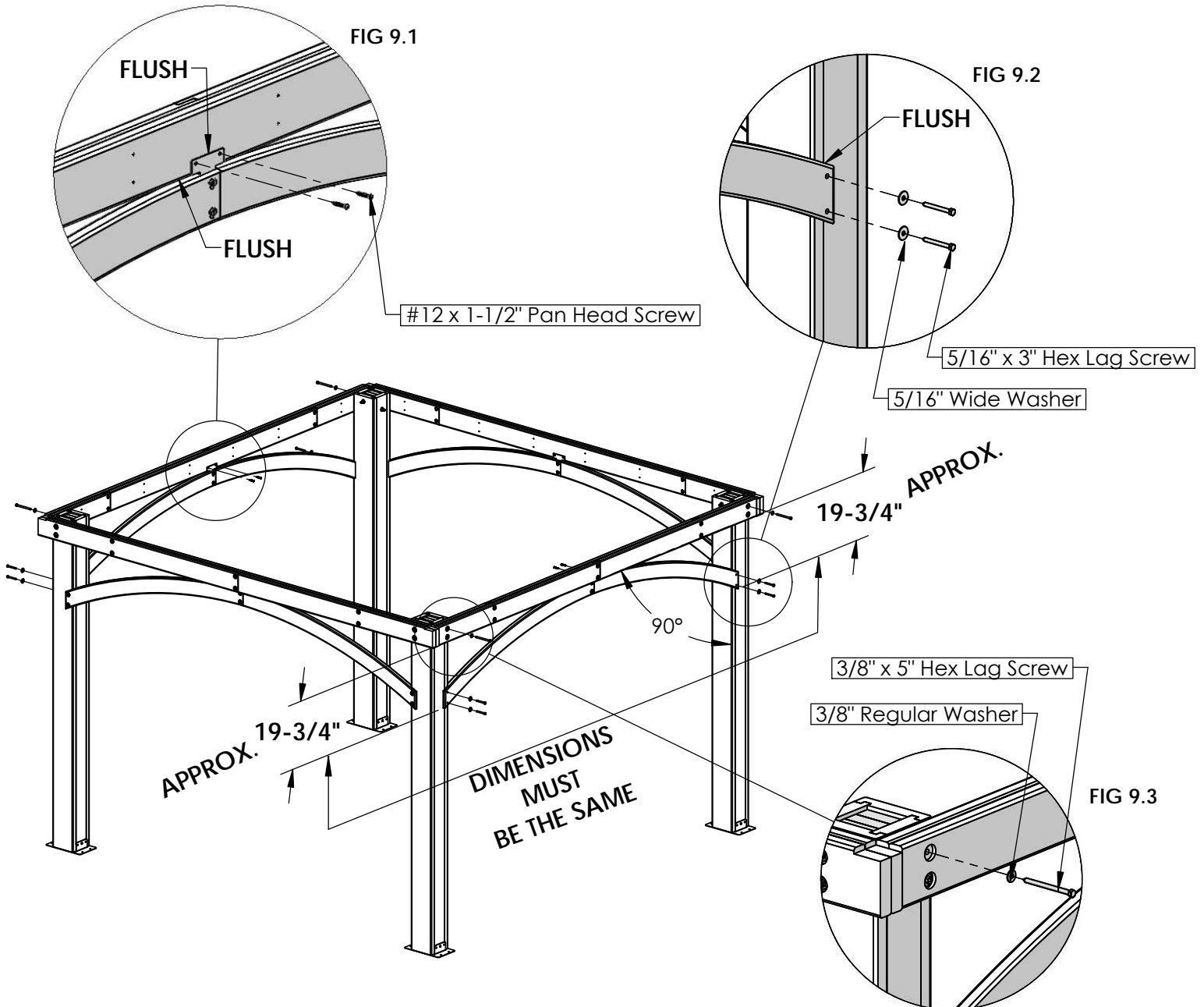
- LIFT UP THE SECOND SHORT WALL ASSEMBLY AS SHOWN BELOW. (FIG 8.1)
- SWING UP BOTH LONG BEAM ASSEMBLIES AND ATTACH TO THE SHORT WALL ASSEMBLY AS SHOWN BELOW. (FIG 8.2)
- ASSISTANCE REQUIRED 



# STEP 9: CORBELS TO BASE ASSEMBLY


BAG #	HARDWARE
1491BZ	#12 X 1-1/2" PAN HEAD SCREW X 4
1318BZ	3/8" REGULAR WASHER X 4
1723BZ	3/8" X 5" HEX LAG SCREW X 4
1721BZ	5/16" WIDE WASHER X 8
15173BZ	5/16" X 3" HEX LAG SCREW X 8

- ATTACH CORBEL ASSEMBLIES TO BASE ASSEMBLY. PREDRILL ALL LAG SCREW HOLES TO AVOID SPLITTING OF WOOD AND FASTEN AS SHOWN BELOW. (FIG 9.1) & (FIG 9.2)
- VERIFY ALL DIMENSIONS AND SECURE LONG BEAM ASSEMBLY TO POSTS AS SHOWN BELOW. (FIG 9.3)
- ASSISTANCE REQUIRED 



# STEP 10: HIP BRACKET

<u>BAG #</u>	<u>HARDWARE</u>	
23-18-1044-HB	HIP BRACKET	X 4
1491BZ	#12 X 1-1/2" PAN HEAD SCREW	X 12

- PLACE THE HIP BRACKET ON TOP OF THE POST WITH THE HOOKS FLUSH TO THE OUTSIDE CONTOUR OF THE POST GROOVE AND FASTEN AS SHOWN BELOW (FIG 10.1)
- CHECK STRUCTURE FOR SQUARE AS SHOWN BELOW. (FIG 10.2)
- ASSISTANCE REQUIRED 

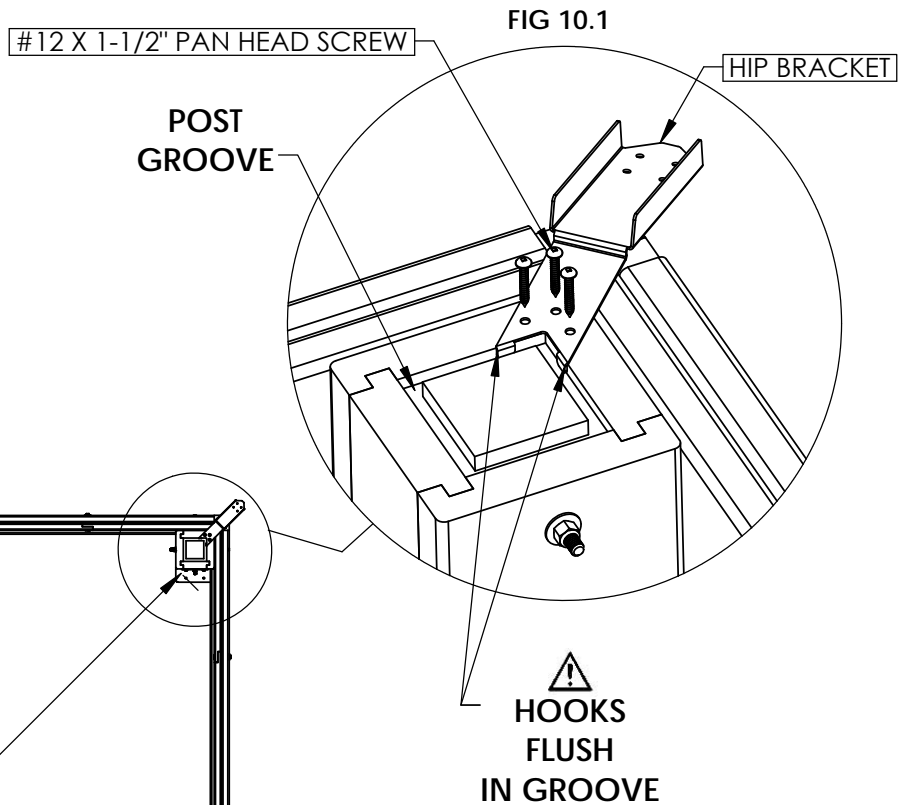
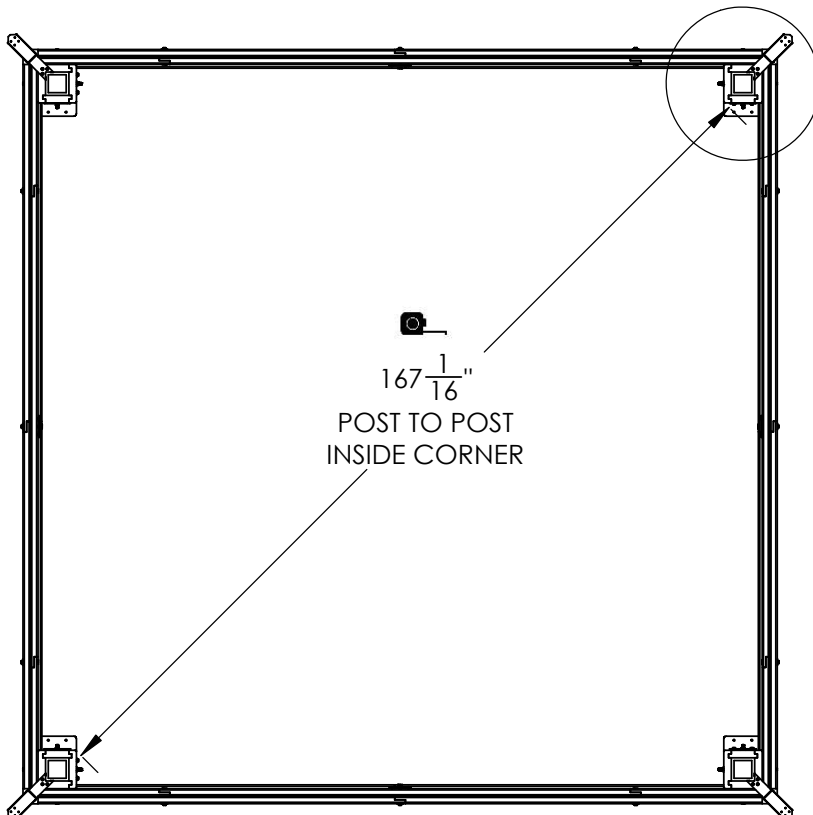


FIG 10.2

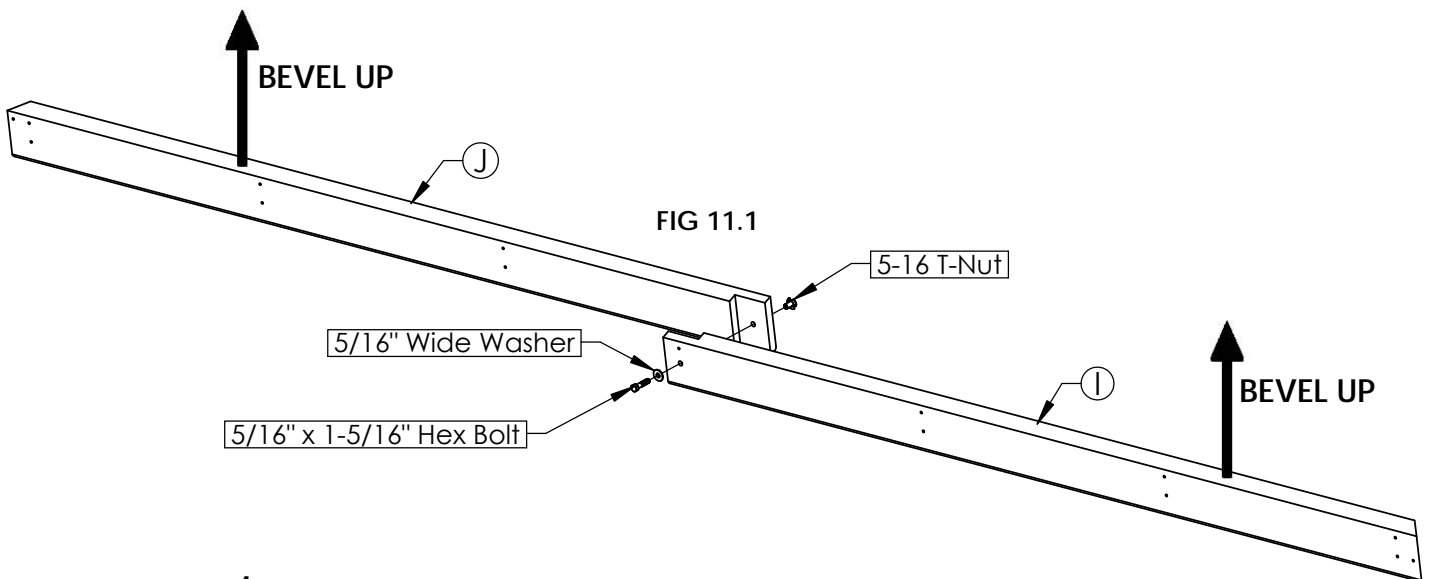




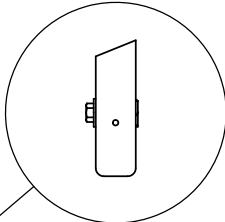
# STEP 11: FASCIA ASSEMBLY

<u>STAMP ID</u>	<u>WOOD COMPONENTS</u>	<u>BAG #</u>	<u>HARDWARE</u>
J	FASCIA LH X 4	1381BZ	5/16" T-NUT X 4
I	FASCIA RH X 4	1721BZ	5/16" WIDE WASHER X 4
		1465BZ	5/16" X 1-5/16" HEX BOLT X 4

- ASSEMBLE FASCIA ASSEMBLY AS SHOWN BELOW. (FIG 11.1)
- ASSEMBLY MUST BE STRAIGHT AND ALL HARDWARE FULLY TIGHTEN. (FIG 11.2)

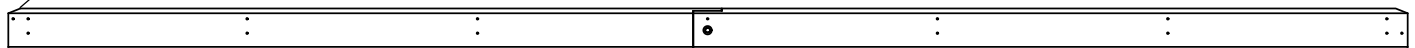


💡  
BEVEL FACING UP



⚠️  
FASCIA MUST BE STRAIGHT

FIG 11.2

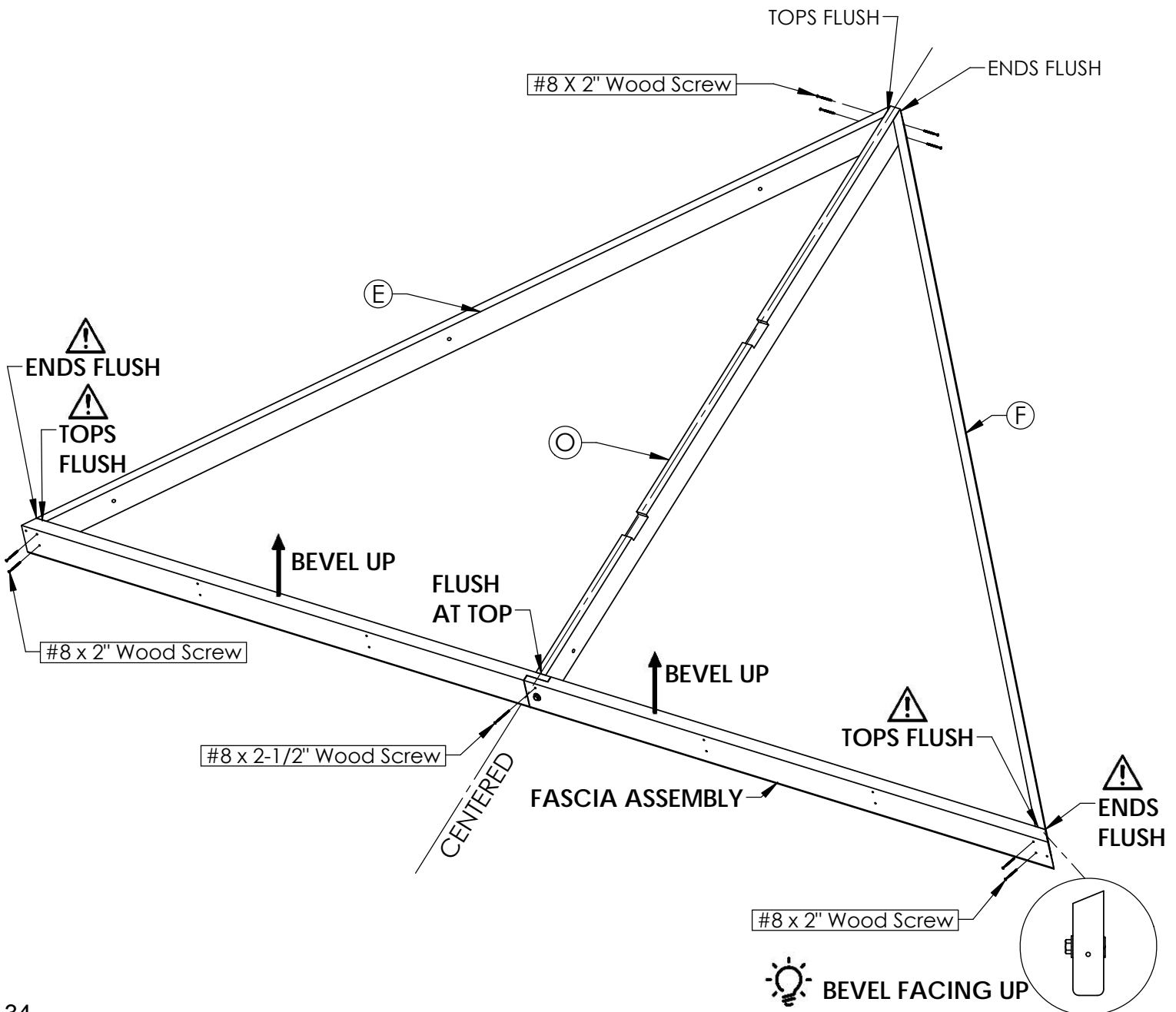


← FASCIA ASSEMBLY X4 →

# STEP 12: ROOF FRAME ASSEMBLY

STAMP ID	WOOD COMPONENTS	BAG #	HARDWARE
E	RAFTER CORNER LH X 4	1342PC	#8 X 2" WOOD SCREW X 32
F	RAFTER CORNER RH X 4	1327PC	#8 X 2-1/2" WOOD SCREW X 4
O	CENTER RAFTER X 4		

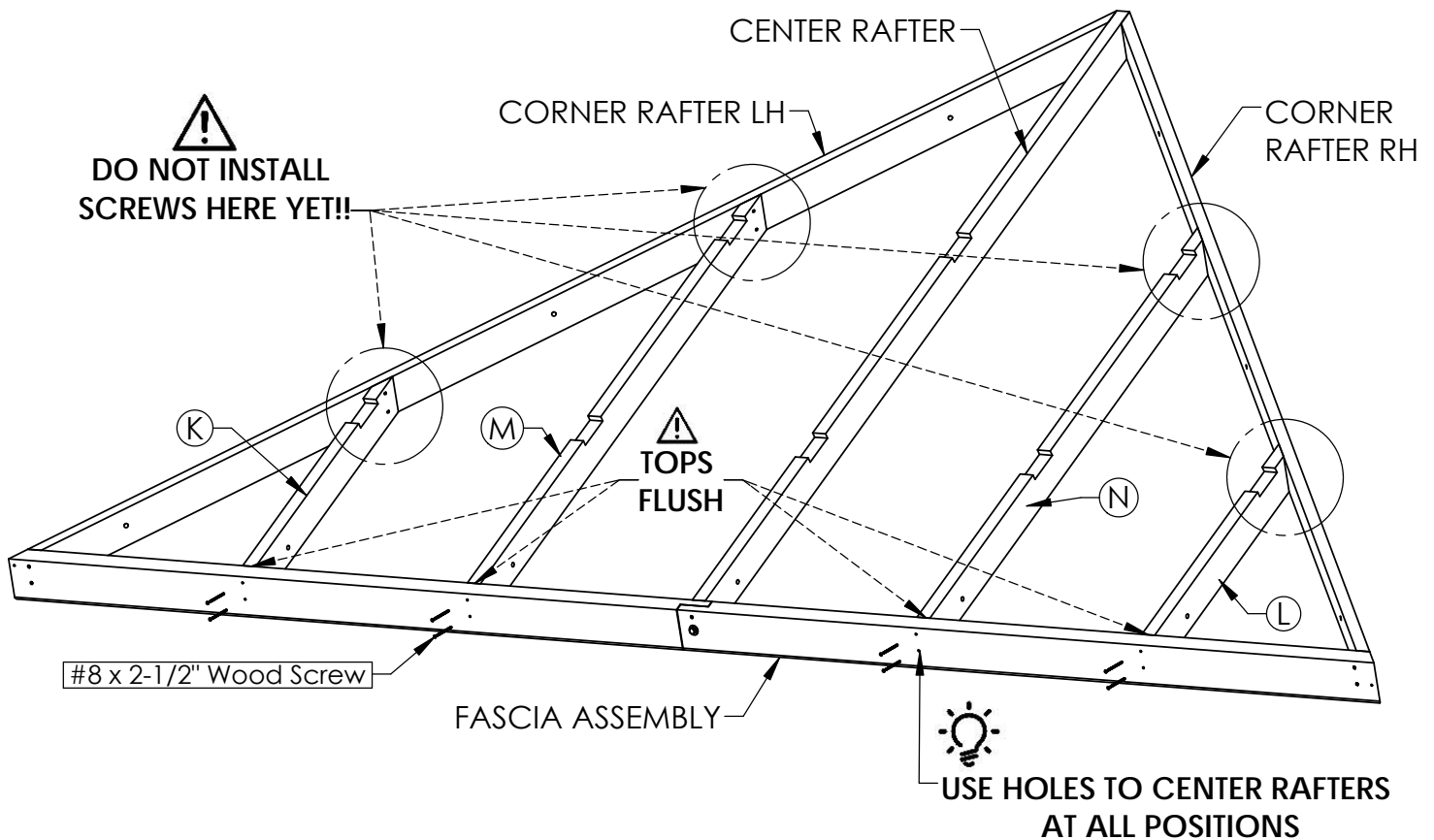
- ATTACH (E) (O) (F) TO FASCIA ASSEMBLY AS SHOWN BELOW.



## STEP 12: ROOF FRAME ASSEMBLY (CONT'D)

STAMP ID	WOOD COMPONENTS	BAG #	HARDWARE
K	RAFTER SHORT LH X 4	1327PC	#8 X 2-1/2" WOOD SCREW X 32
L	RAFTER SHORT RH X 4		
M	RAFTER LONG LH X 4		
N	RAFTER LONG RH X 4		

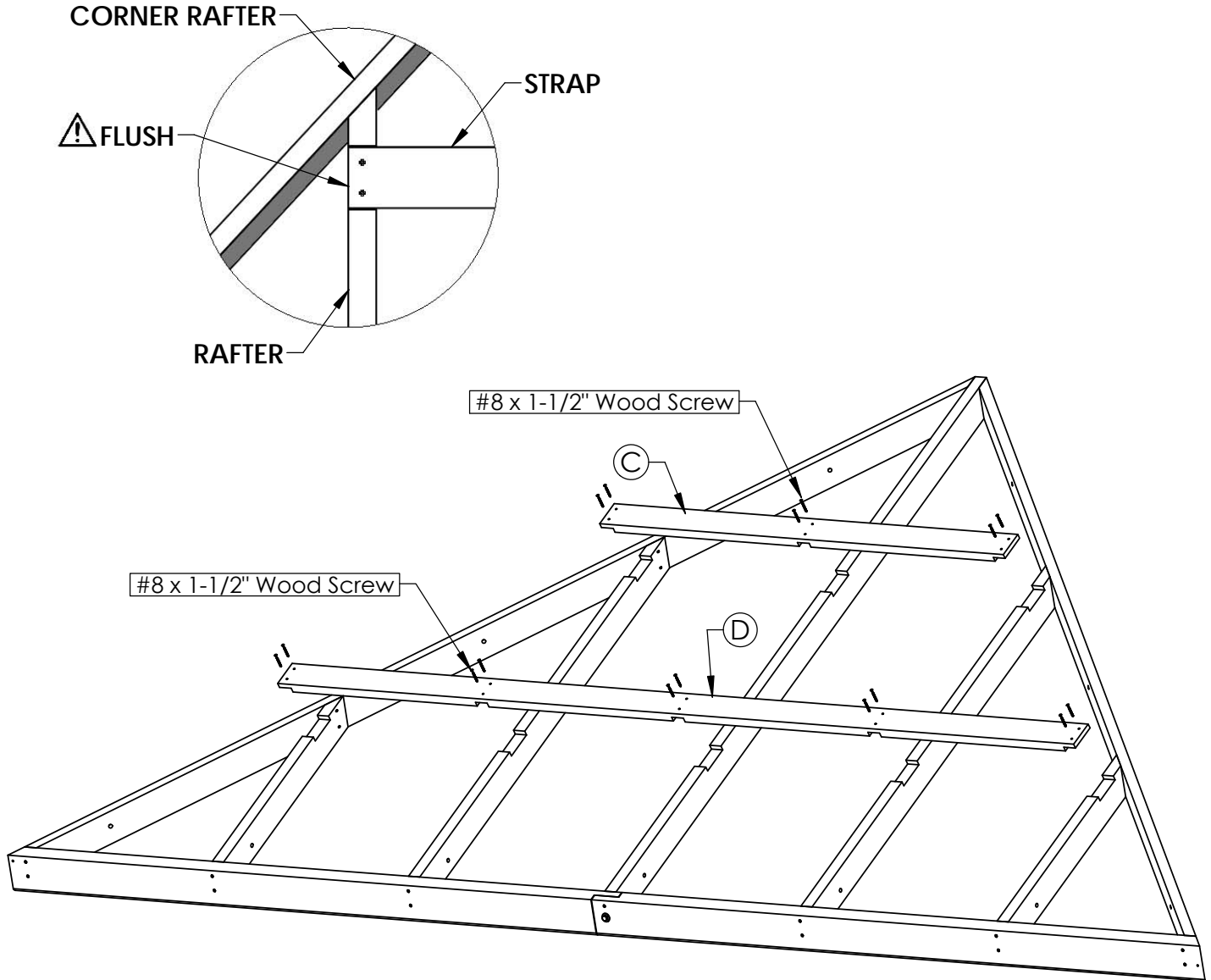
- PLACE ALL RAFTERS FLUSH TO INSIDE AND TOP OF FASCIA AND CENTERED AT EACH HOLE LOCATION AS SHOWN BELOW.
- FASTEN RAFTERS TO FASCIA ONLY.



# STEP 12: ROOF FRAME ASSEMBLY (CONT'D)

STAMP ID	WOOD COMPONENTS	BAG #	HARDWARE
C	STRAP SHORT X 4	1701PC	#8 X 1-1/2" WOOD SCREW X 64
D	STRAP LONG X 4		

- FASTEN STRAPS TO RAFTERS AS SHOWN BELOW.



## STEP 12: ROOF FRAME ASSEMBLY (CONT'D)

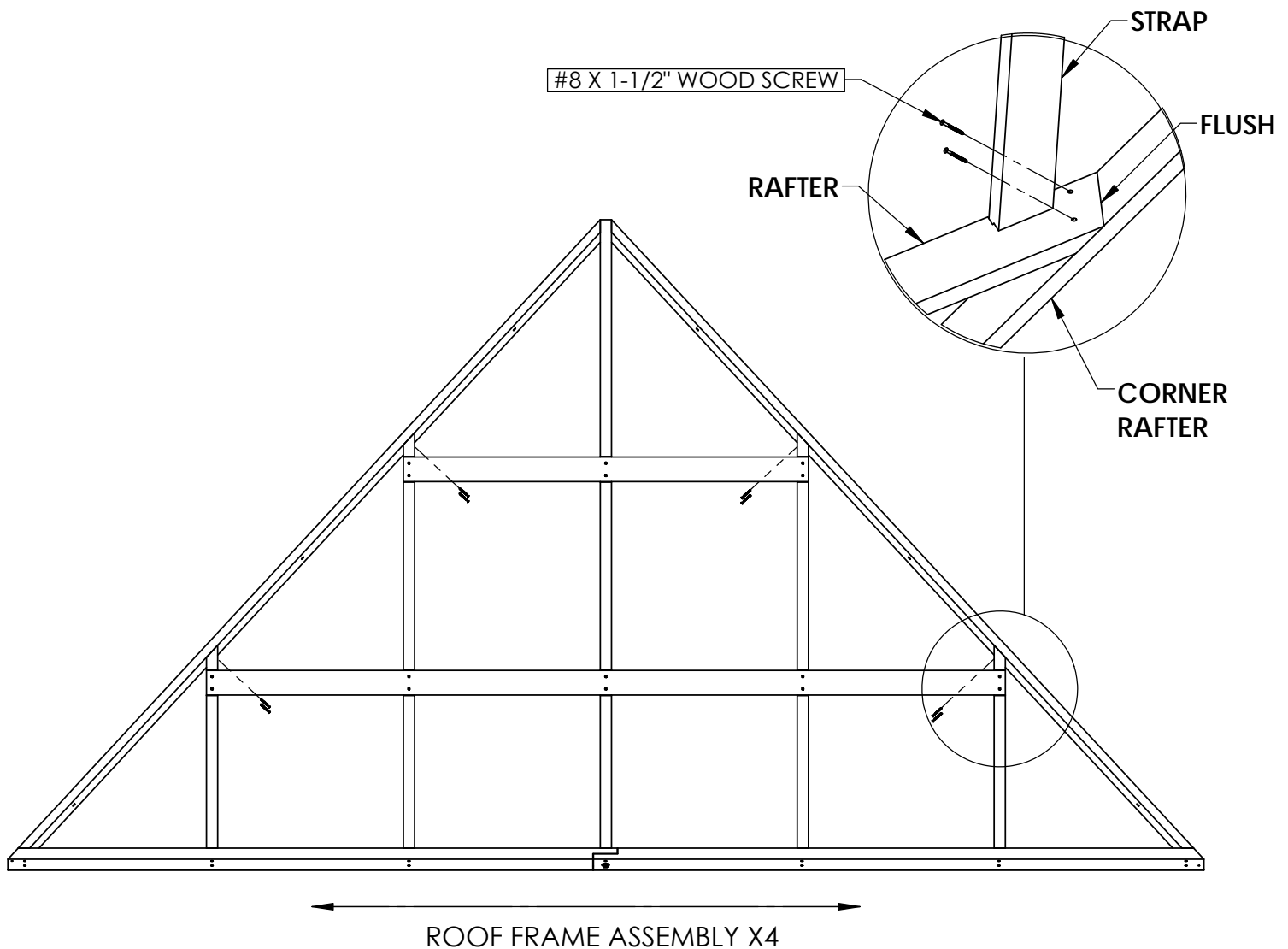
BAG #

1701PC

HARDWARE

#8 X 1-1/2" WOOD SCREW X 32

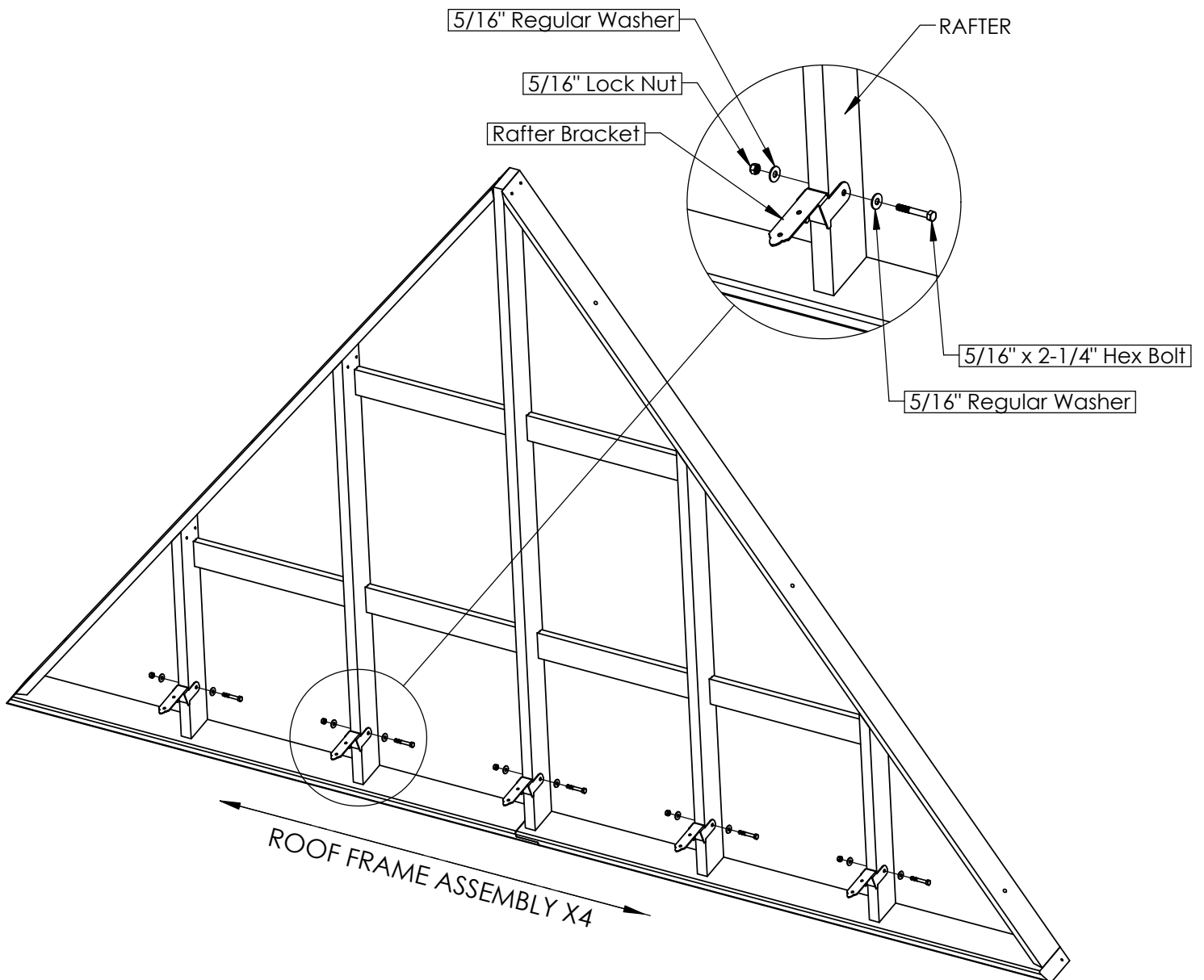
- FASTEN ALL RAFTERS TO CORNER RAFTERS AS SHOWN BELOW.



# STEP 13: RAFTER BRACKETS

<u>BAG #</u>	<u>HARDWARE</u>	
1498BZ	5/16" X 2-1/4" HEX BOLT	X 20
1336BZ	5/16" REGULAR WASHER	X 40
1396BZ	5/16" LOCK NUT	X 20
14-18-6090-RB	RAFTER BRACKET	X 20

- LINE-UP RAFTER BRACKETS WITH RAFTERS HOLE AS SHOWN BELOW.
-  **HAND TIGHTEN ALL HARDWARE AT THIS TIME ONLY!!**



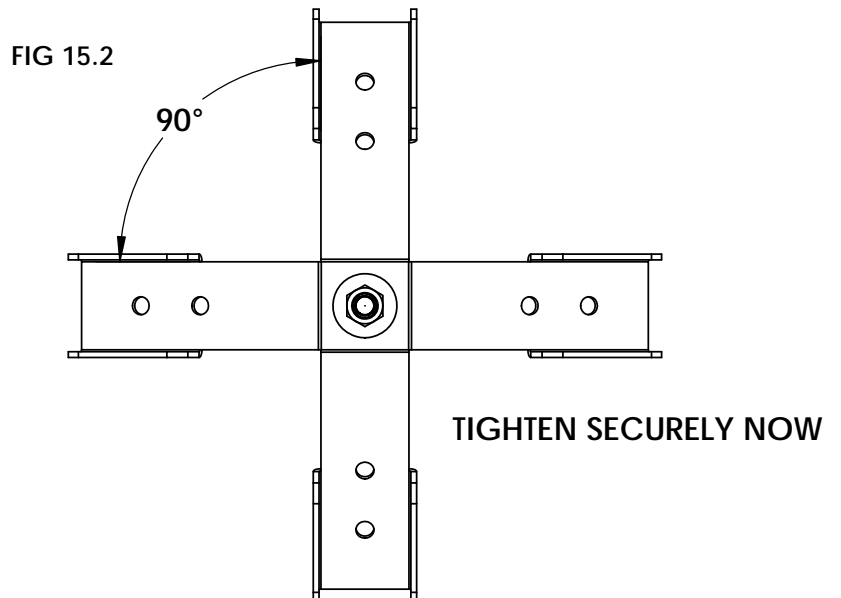
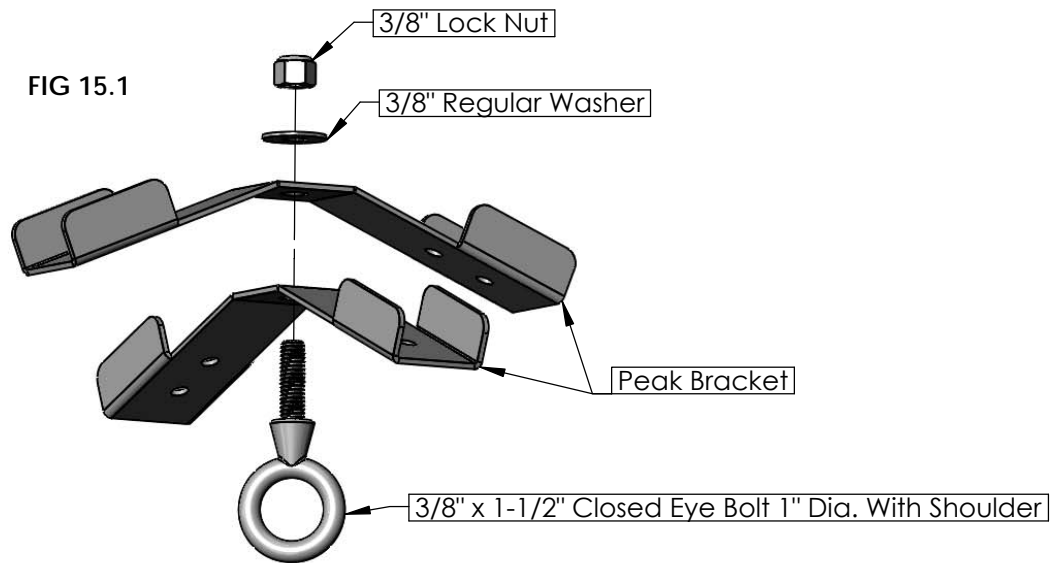
# STEP 14: PEAK BRACKET ASSEMBLY

**BAG #**

**HARDWARE**


16-16-9291-PB	PEAK BRACKET	X 2
1390BZ	3/8" X 1-1/4" CLOSED EYE BOLT 1" DIA. WITH SHOULDER	X 1
1318BZ	3/8" REGULAR WASHER	X 1
1320BZ	3/8" LOCK NUT	X 1

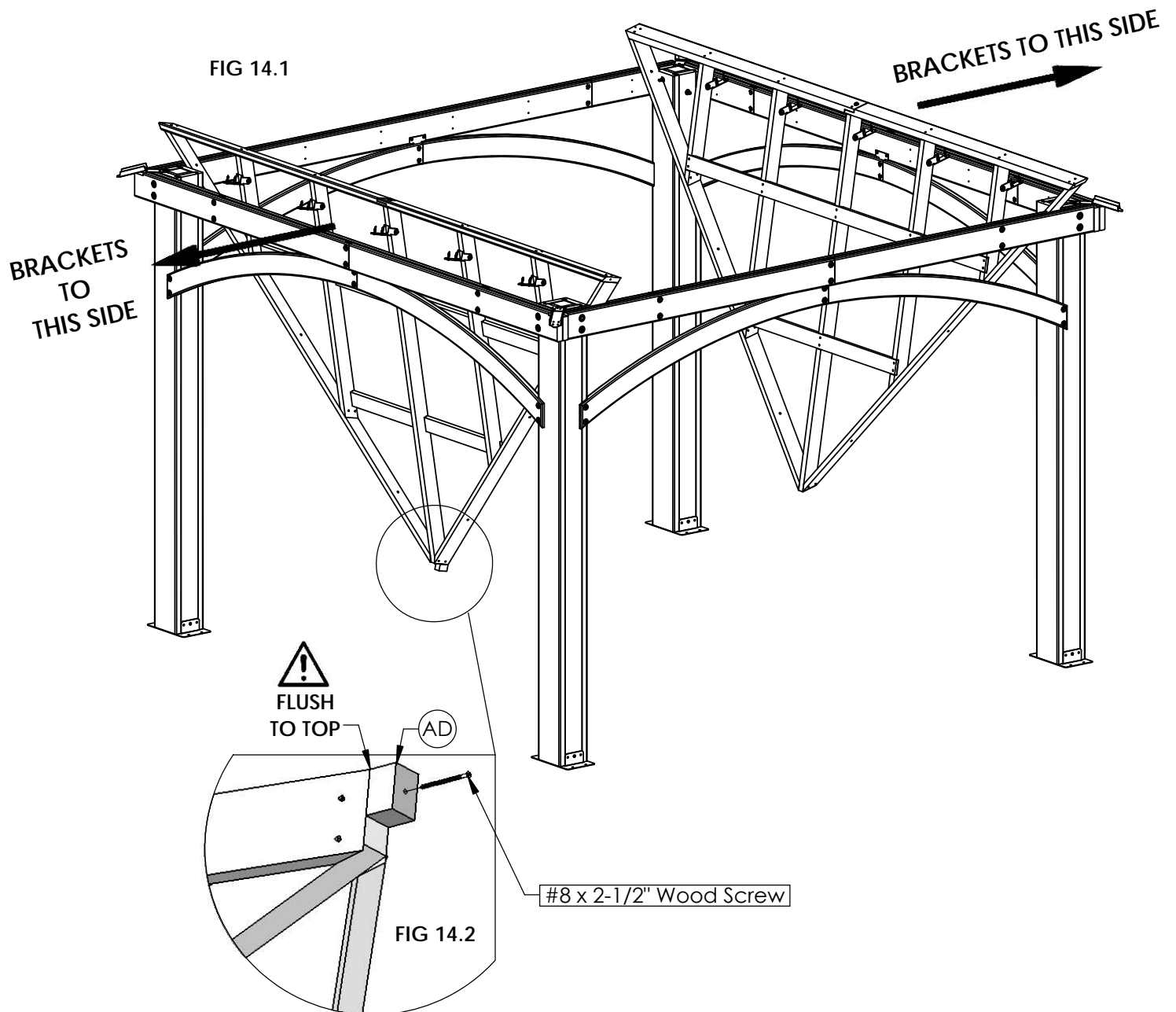
- ASSEMBLE THE ROOF PEAK ASSEMBLY AS SHOWN BELOW. (FIG 15.1)
- ASSEMBLED BRACKETS MUST BE AT 90° APPART AS SHOWN BELOW. (FIG 15.2)



# STEP 15: HANGING ROOF & PEAK BLOCK

STAMP ID	WOOD COMPONENTS	BAG #	HARDWARE
AD	PEAK BLOCK 1	1327PC	#8 X 2-1/2" WOOD SCREW X 1

- HANG TWO ROOF FRAME ASSEMBLIES ON TOP OF THE BEAMS AS SHOWN BELOW. (FIG 14.1)  
**NOTE: BRACKETS MUST FACE OUTWARD/ BEAM SIDE**
- FASTEN THE PEAK BLOCK TO ONE ROOF FRAME ASSEMBLY AS SHOWN BELOW. (FIG 14.2)
- ASSISTANCE REQUIRED 






# STEP 16: ROOF ASSEMBLY

**BAG #**

**HARDWARE**

1724BZ

#14 X 1-1/2" PAN HEAD SCREW X 2

- SWING UP BOTH ROOF FRAME ASSEMBLIES AND REST ON PEAK BLOCK AT THE TOP. (FIG 16.1)
- ATTACH ROOF PEAK BRACKET ASSEMBLY AS SHOWN BELOW (FIG 16.2)
- ALL RAFTER BRACKETS WILL BE RESTING ON BEAMS AND WILL KEEP THE ROOF FRAMES FROM SLIDING OFF. (FIG 16.3)
- MAKE SURE THE ROOF FRAME ASSEMBLY IS ALSO RESTING ON THE HIP BRACKETS ON ALL CORNERS. (FIG 16.4)
- ASSISTANCE REQUIRED 

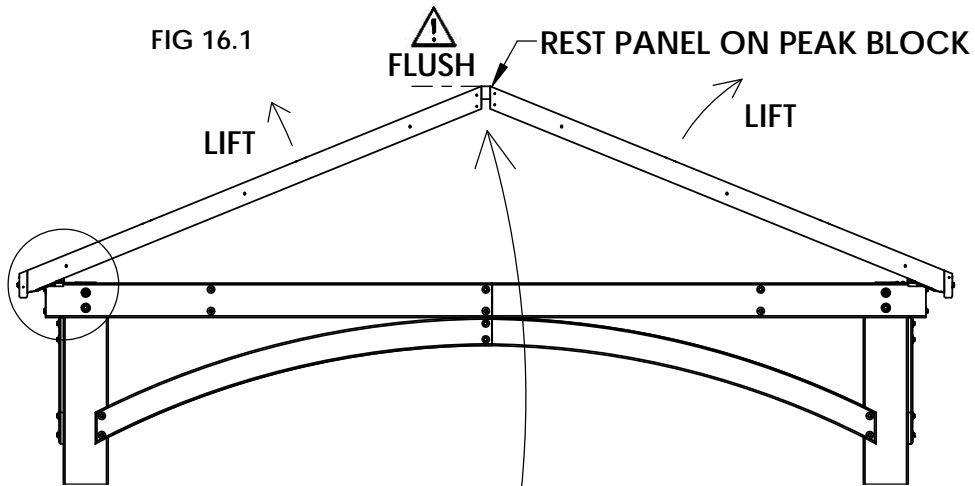
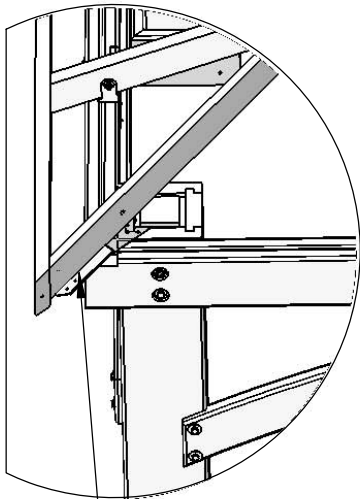


FIG 16.4



ROOF FRAME MUST REST ON TOP OF THE CORNER BRACKET (4) CORNERS.

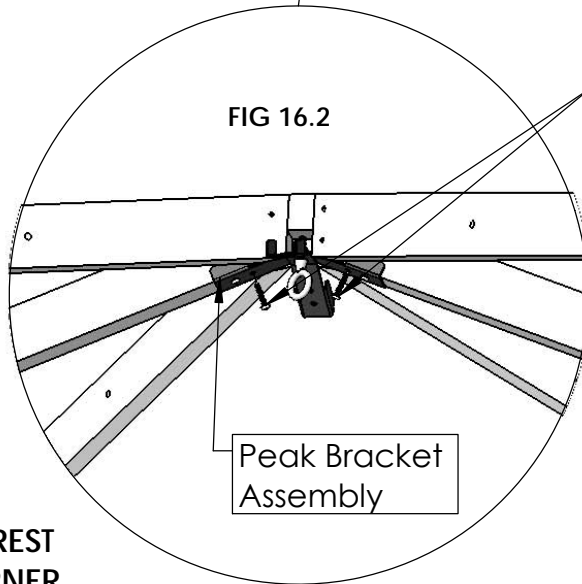


FIG 16.2

#14 x 1-1/2" Pan Head Screw  
NOTE: ONE SCREW ONLY ON EACH SIDE

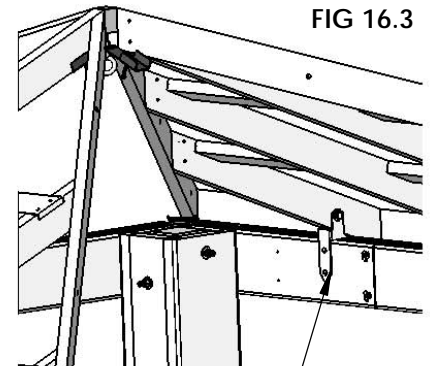



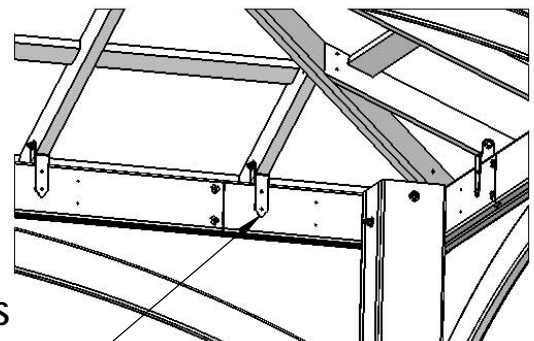
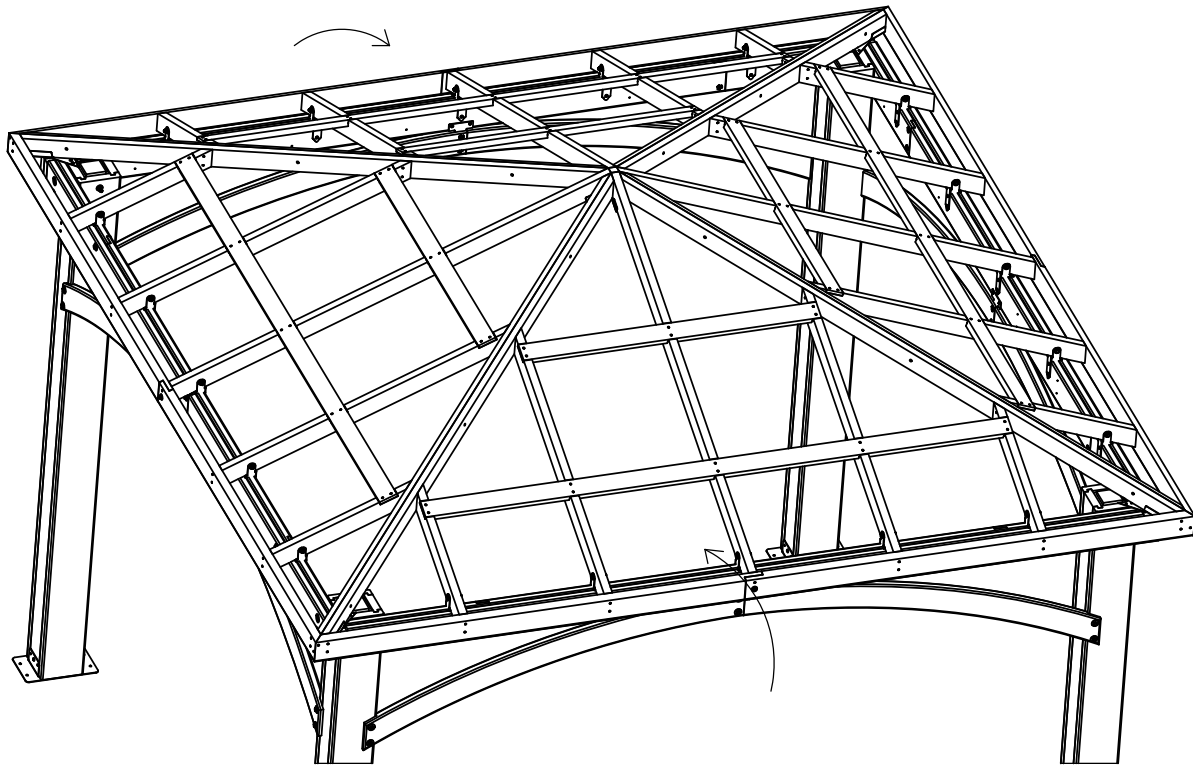
FIG 16.3

ALL RAFTER BRACKETS WILL BE RESTING ON BEAM

## STEP 16: ROOF ASSEMBLY (CONT'D)

---

- PLACE THE ADDITIONAL ROOF FRAME ASSEMBLIES ON TOP OF THE BEAMS AS SHOWN BELOW.
  - ASSISTANCE REQUIRED 
- 



**ALL RAFTER BRACKETS  
WILL BE RESTING ON BEAM**

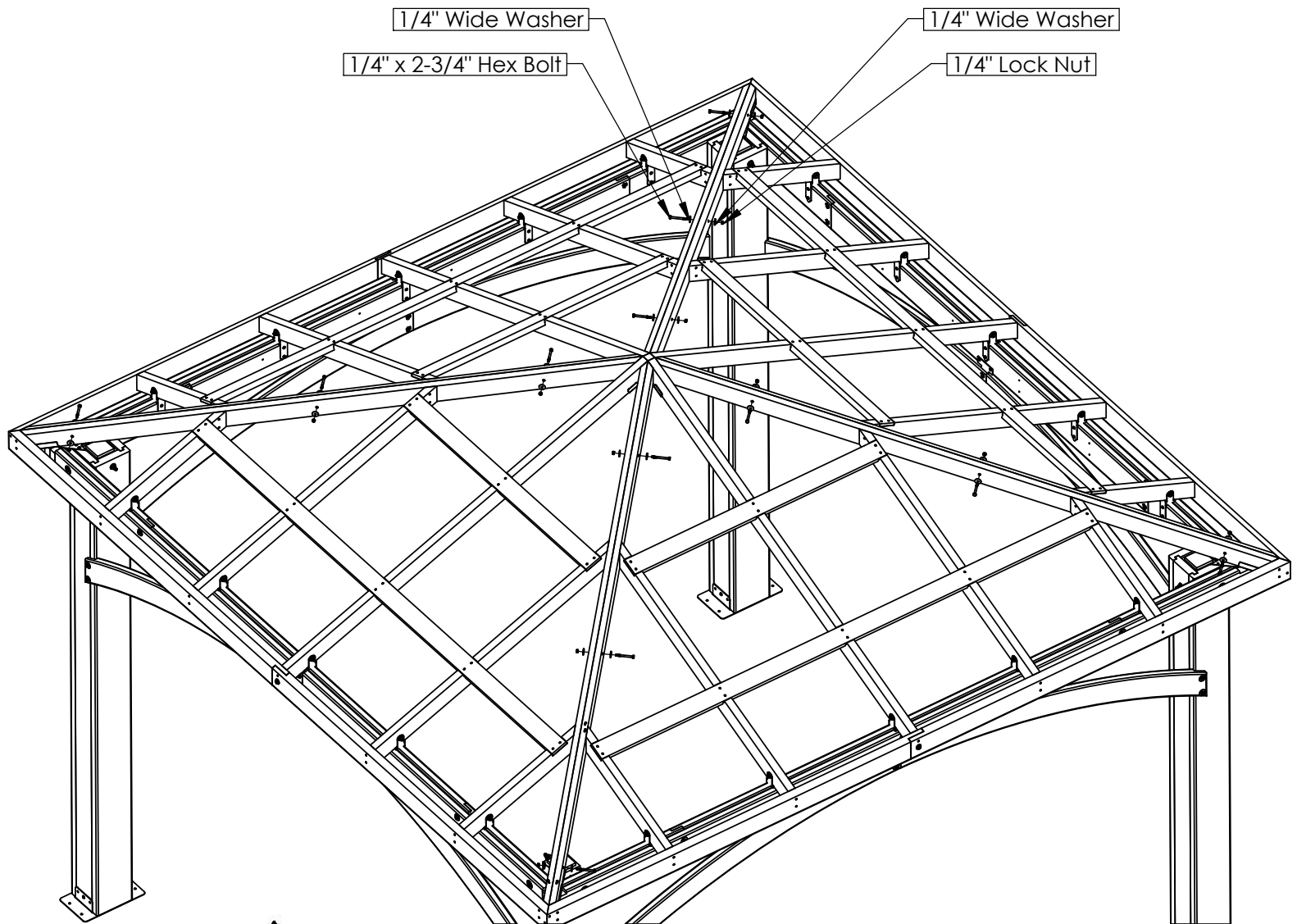
## STEP 16: ROOF ASSEMBLY (CONT'D)

---

<u>BAG #</u>	<u>HARDWARE</u>	
1719BZ	1/4" X 2-3/4" HEX BOLT	X 12
1499BZ	1/4" WIDE WASHER	X 24
1386BZ	1/4" LOCK NUT	X 12


---

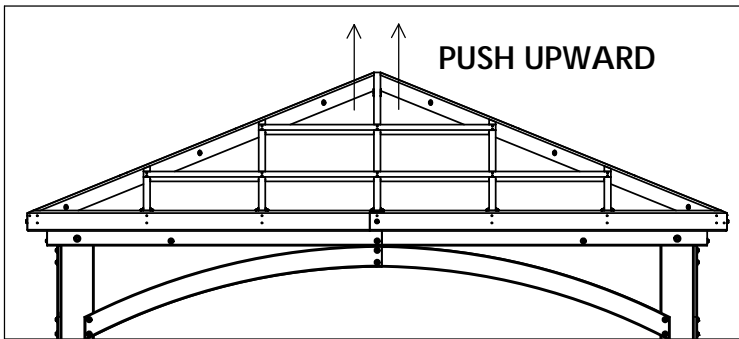
- LINE-UP ALL HOLES AND INSERT HARDWARE AS SHOWN BELOW.
  - HAND TIGHTEN ALL HARDWARE. ASSEMBLY MUST REMAIN LOOSE FOR ADJUSTMENT IN FURTHER STEPS.
- 



**!!HAND TIGHTEN ALL HARDWARE AT THIS TIME!!**

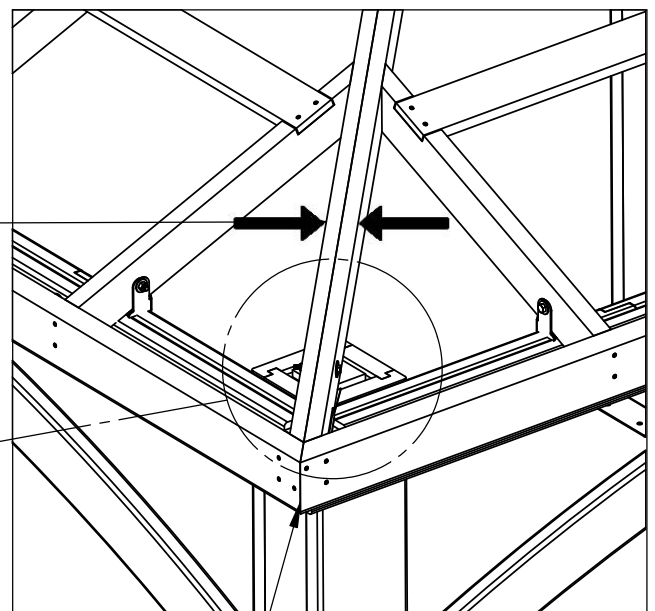
# STEP 17: ADJUSTING ROOF

- PUSH UPWARD IN CENTER OF ROOF UNTIL ALL CORNERS ARE TIGHT AS SHOWN BELOW.
- YOU MAY HAVE TO REMOVE ONE SCREW FROM PEAK BRACKET ASSEMBLY TO LOOSEN UP THE ROOF FRAMES FROM EACH OTHER.
- ASSISTANCE REQUIRED 



USE BAR CLAMP(S)  
TO FLUSH UP FRAMES  
IF NEEDED.

WHEN CORNER SEAMS ARE TIGHT,  
TIGHTEN ONLY THIS HEX BOLT CLOSEST TO THE CORNER  
\*DO THIS AT EACH CORNER\*

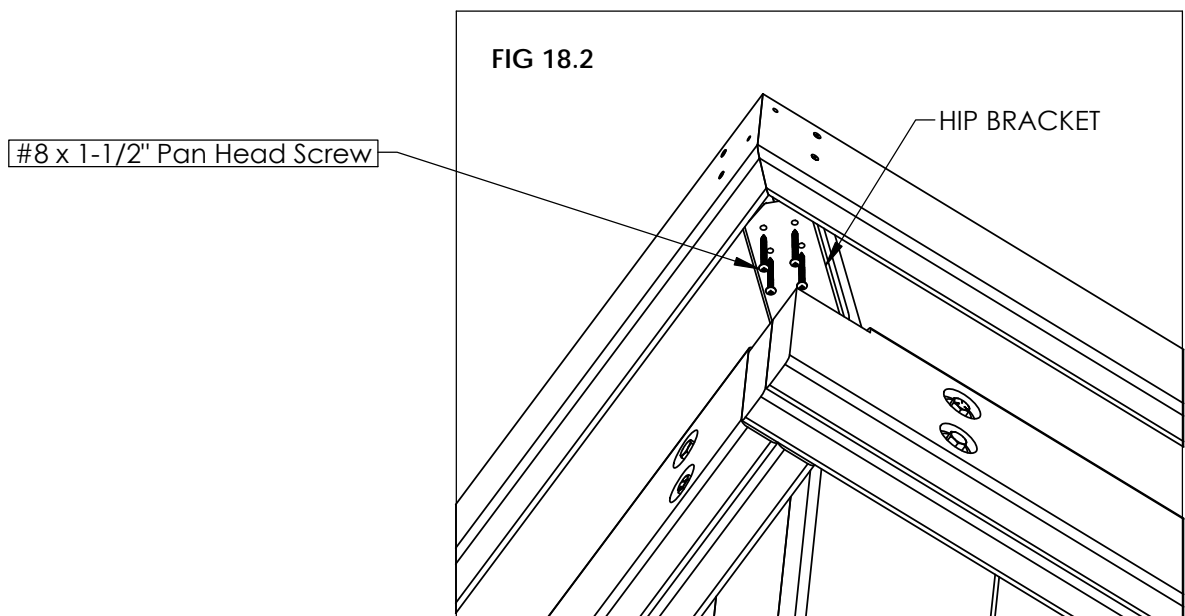
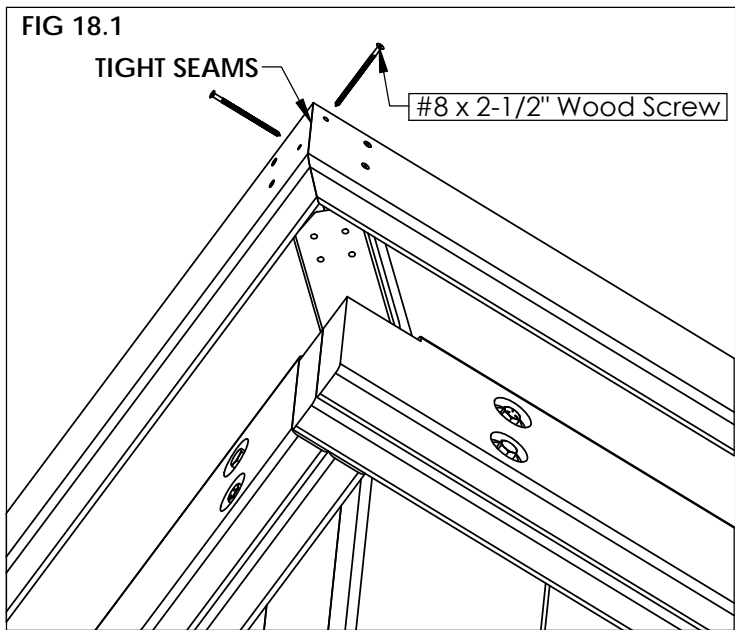


CORNER SEAM  
TIGHT

# STEP 18: CORNER SEAMS & HIP BRACKET

<u>BAG #</u>	<u>HARDWARE</u>
1327PC	#8 X 2-1/2" WOOD SCREW X 8
1725BZ	#8 X 1-1/2" PAN HEAD SCREW X 16

- FASTEN EACH CORNER SEAM AS SHOWN BELOW. (FIG 18.1)
- FASTEN HIP BRACKET AT EACH CORNER AS SHOWN BELOW. (FIG 18.2)



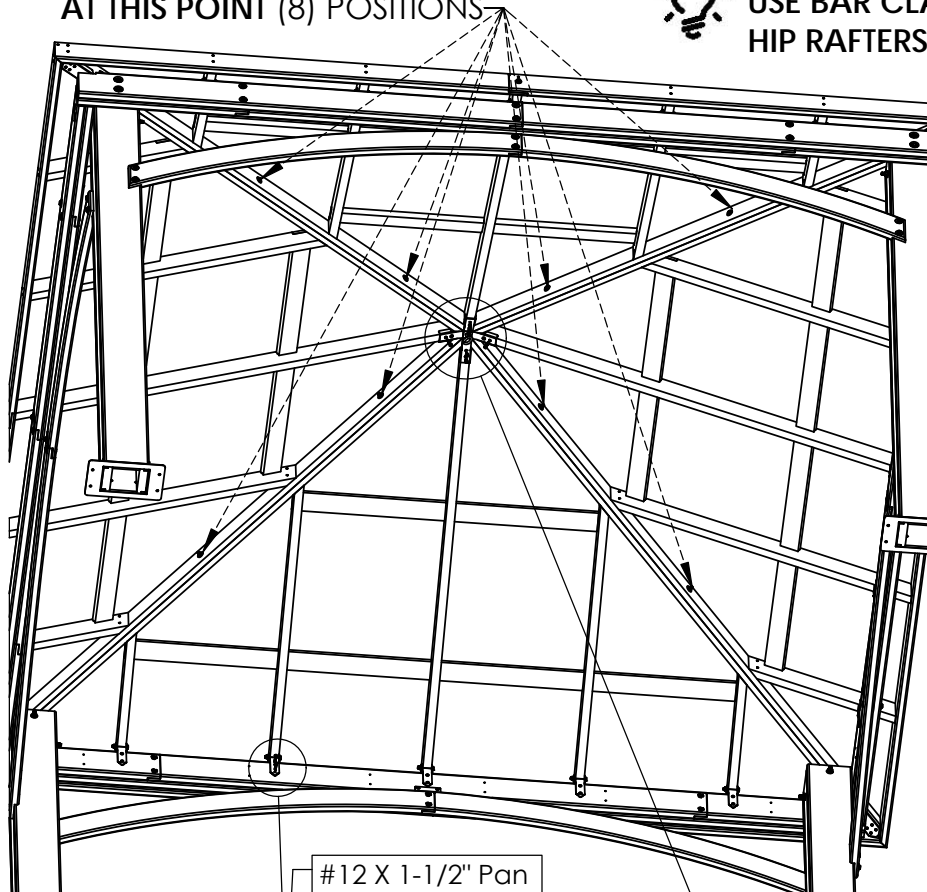
# STEP 19: TIGHTENING ROOF HARDWARE

<u>BAG #</u>	<u>HARDWARE</u>	
1491BZ	#12 X 1-1/2" PAN HEAD SCREW	X 40
1724BZ	#14 X 1-1/2" PAN HEAD SCREW	X 6

- TIGHTEN BOLTS AND NUTS ON HIP RAFTERS.
- FASTEN ALL RAFTER BRACKETS AND PEAK BRACKET.

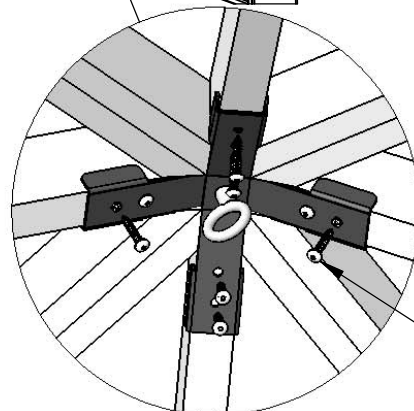
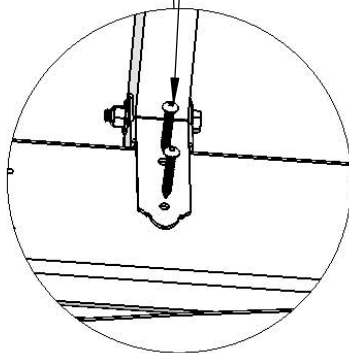
STEP 1. FULLY TIGHTEN ALL BOLTS AND NUTS  
AT THIS POINT (8) POSITIONS

 **HINT!**  
USE BAR CLAMPS TO FLUSH UP  
HIP RAFTERS IF NEEDED.



#12 X 1-1/2" Pan  
Head Screw

STEP 2.

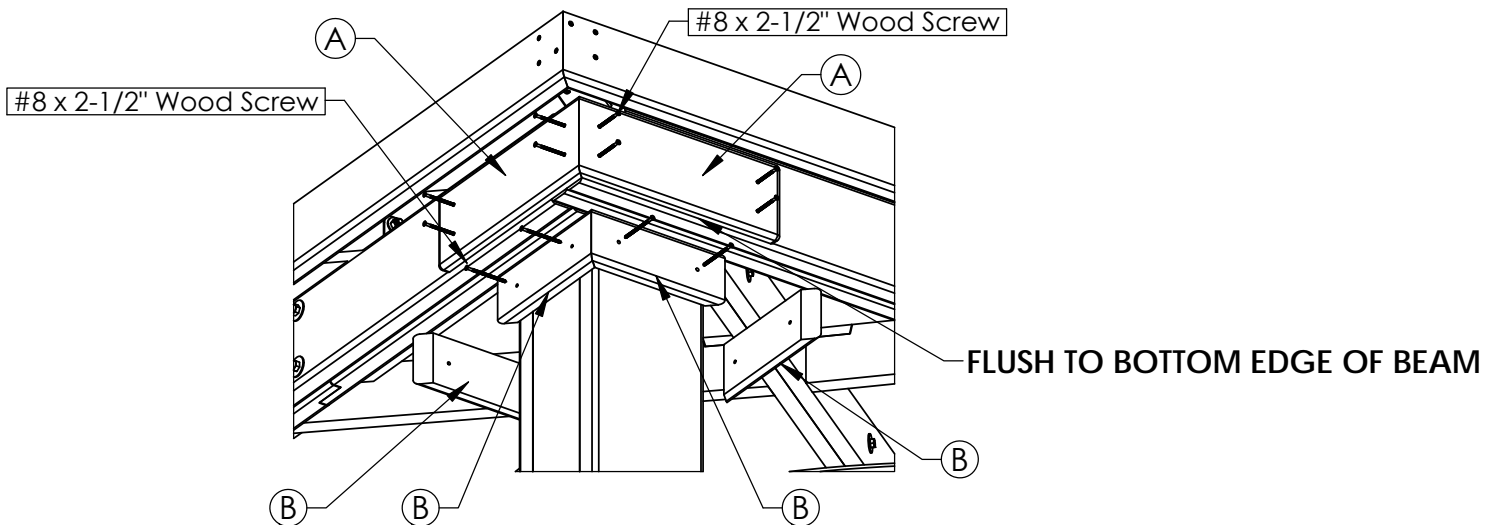
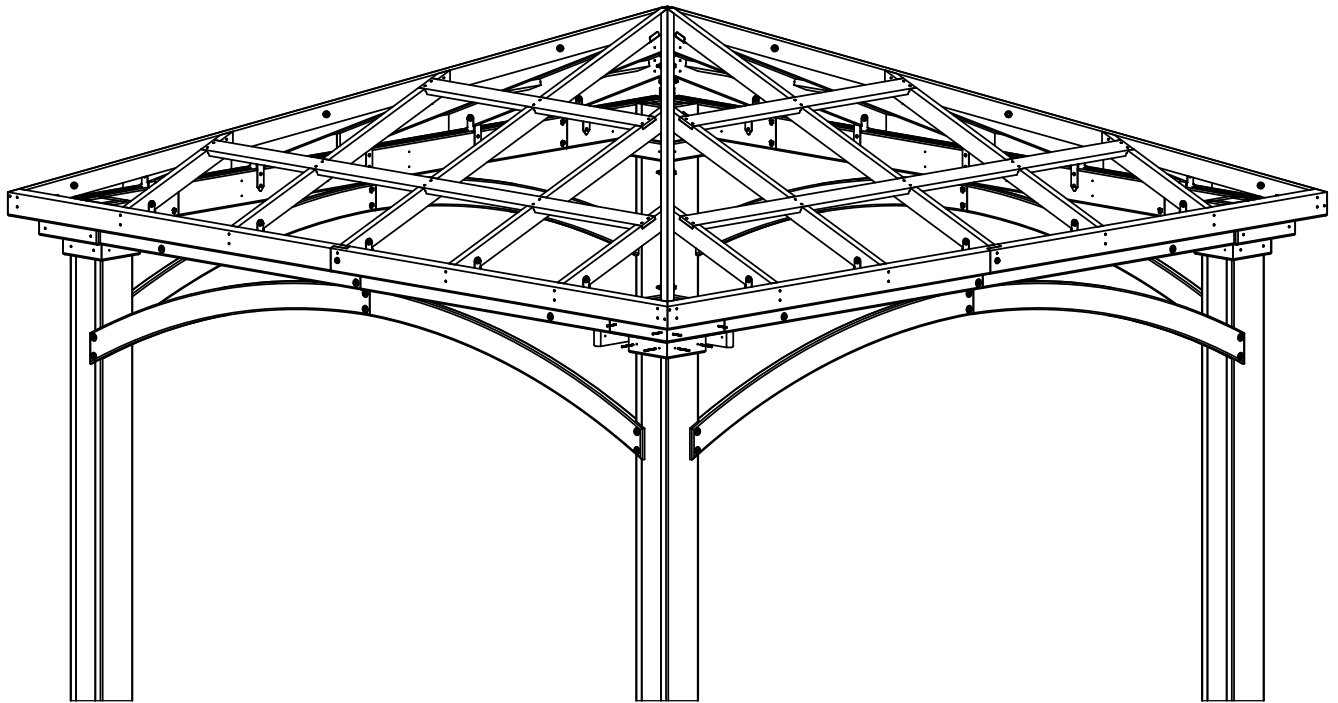


#14 X 1-1/2"  
PAN HEAD SCREW

# STEP 20: TOP TRIM

STAMP ID	WOOD COMPONENTS	BAG #	HARDWARE
A	TOP TRIM X	8 1327PC	#8 X 2-1/2" WOOD SCREW X 64
B	BEAM SUPPORT TRIM X 16		

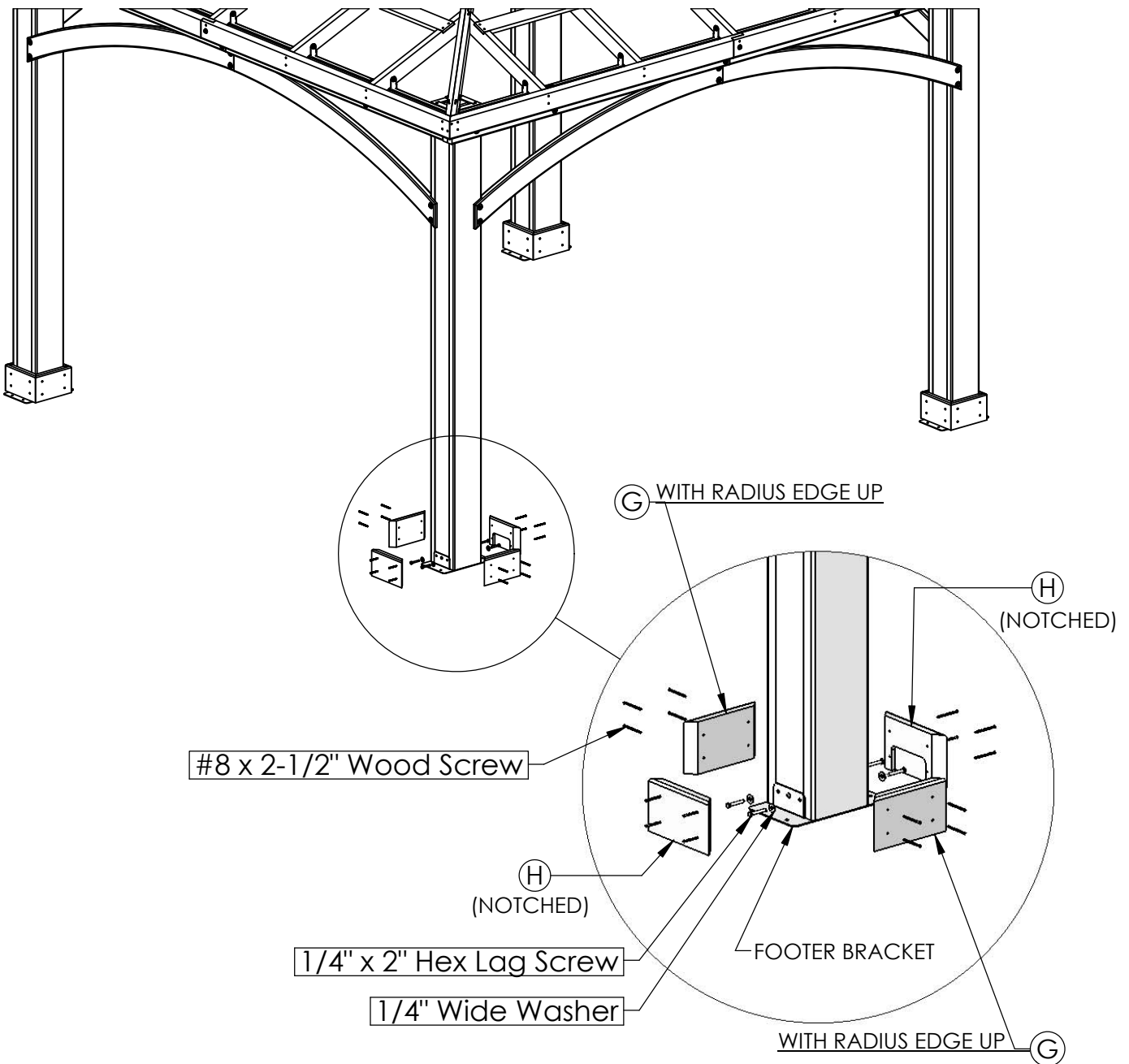
- ATTACH ALL TRIM TO 4 CORNERS AS SHOWN BELOW.



# STEP 21: BOTTOM TRIM

STAMP ID	WOOD COMPONENTS	BAG #	HARDWARE
G	BOTTOM TRIM X 8	1327PC	#8 X 2-1/2" WOOD SCREW X 64
H	BOTTOM TRIM NOTCHED X 8	1727Z	1/4" X 2" HEX LAG SCREW X 16
		1499BZ	1/4" WIDE WASHER X 16

- ATTACH FINAL HARDWARE TO FOOTER BRACKET AS SHOWN BELOW.
- ATTACH BOTTOM TRIM TO POST ASSEMBLY AS SHOWN BELOW.

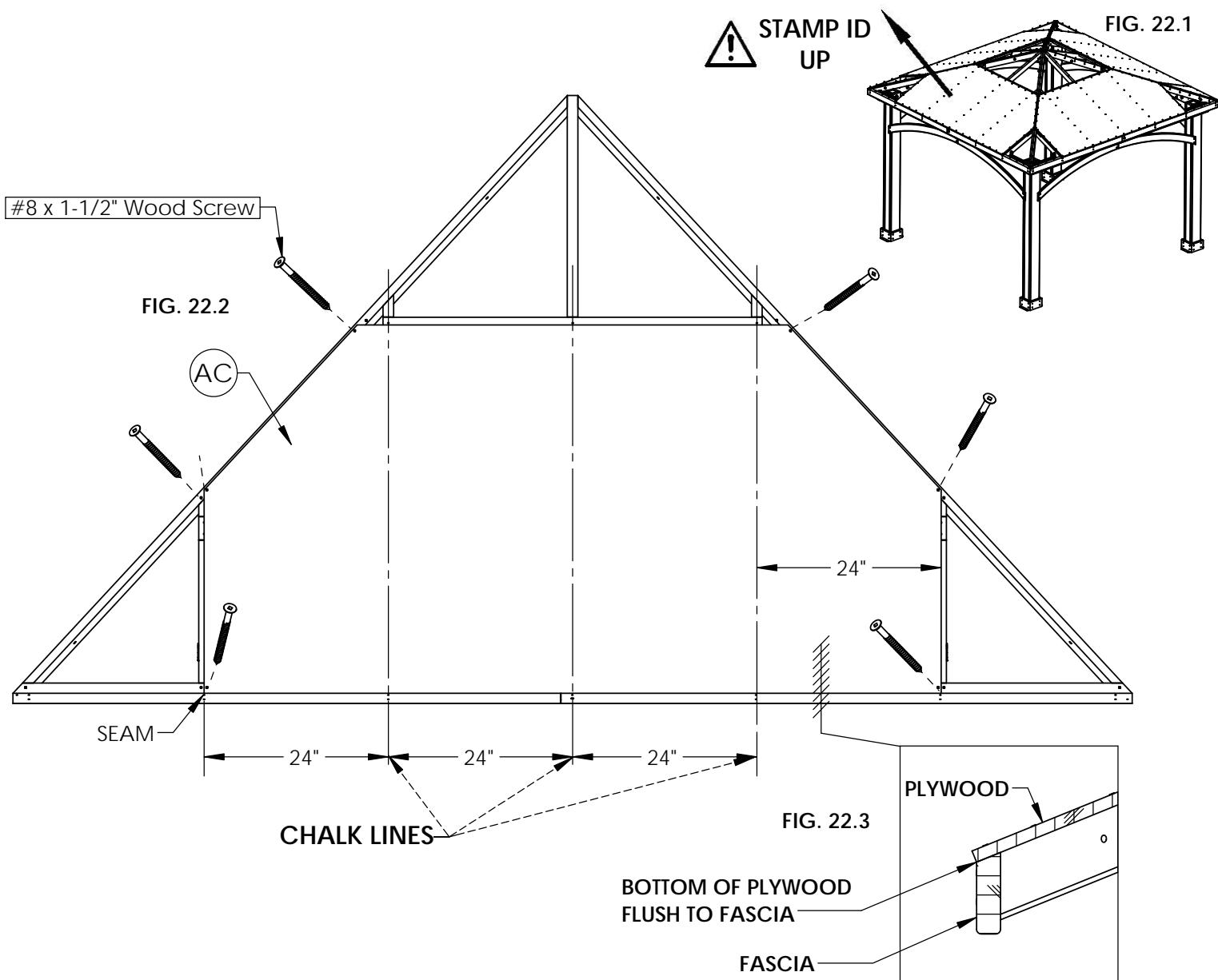




# STEP 22: PLYWOOD

STAMP ID	WOOD COMPONENTS	BAG #	HARDWARE
AC	PLYWOOD CENTER X 4	1701PC	#8 X 1-1/2" WOOD SCREW X 24

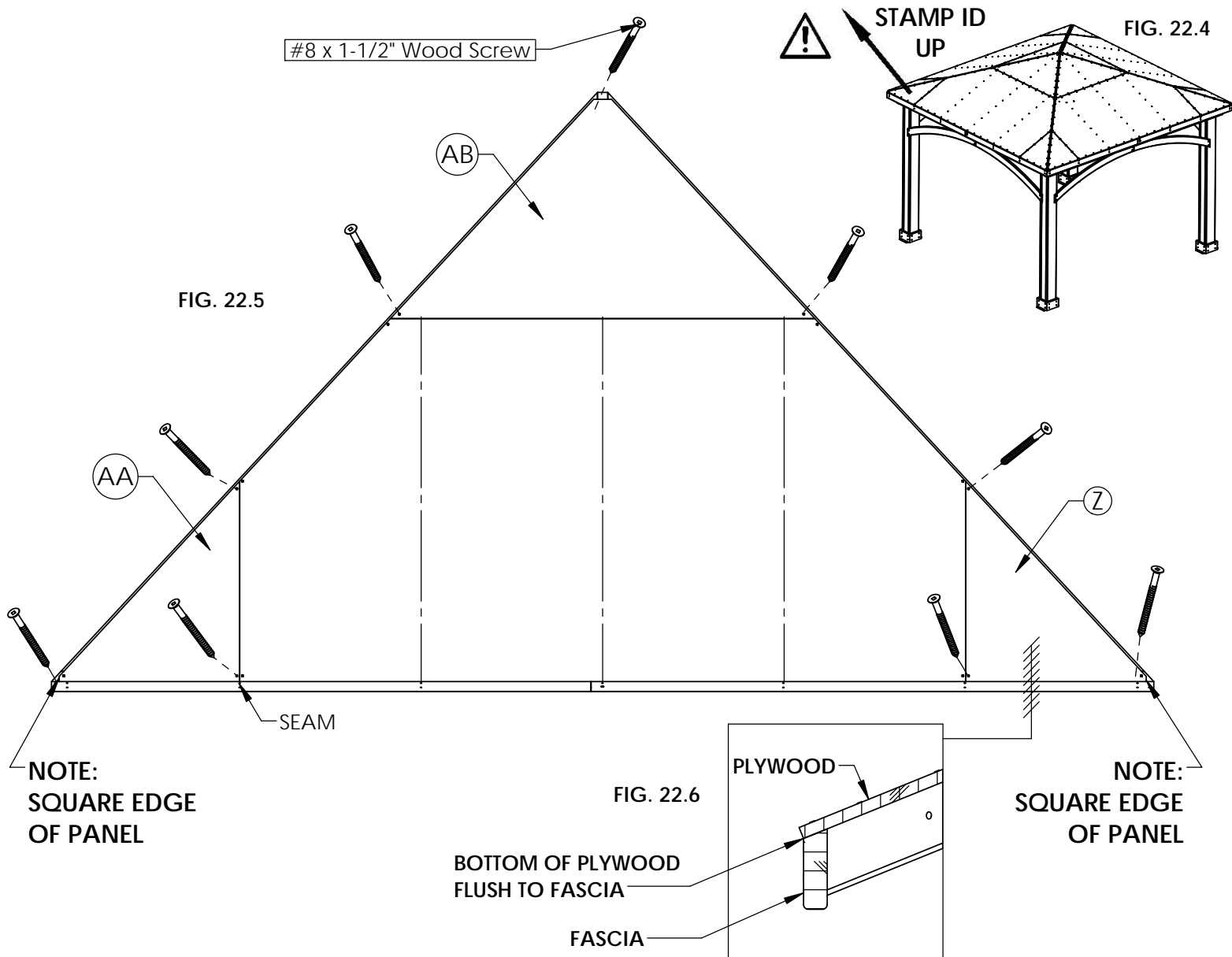
- INSTALL (AC) FIRST. WITH STAMP ID UP. X4 (FIG. 22.1)
- USE ONE #8 X 1-1/2" WOOD SCREW AT EACH CORNER OF PLYWOOD AS SHOWN. (FIG. 22.2)
- BOTTOM EDGE OF PLYWOOD MUST BE FLUSH TO FASCIA AS SHOWN. (FIG. 22.3)
- CENTER AND SNAP CHALK LINES OVER ROOF DECKING.



# STEP 22: PLYWOOD (CONT'D)

STAMP ID	WOOD COMPONENTS	BAG #	HARDWARE
Z	PLYWOOD SIDE RH X 4	1701PC	#8 X 1-1/2" WOOD SCREW X 36
AA	PLYWOOD SIDE LH X 4		
AB	PLYWOOD TOP X 4		

- INSTALL (AF), (AB) & (Z) WITH STAMP ID UP AS SHOWN. X4 (FIG. 22.4)
- USE ONE #8 X 1-1/2" WOOD SCREW AT EACH CORNER OF PLYWOOD AS SHOWN. (FIG. 22.5)
- BOTTOM EDGE OF PLYWOOD MUST BE FLUSH TO FASCIA AS SHOWN. (FIG. 22.6)



# STEP 22: PLYWOOD (CONT'D)

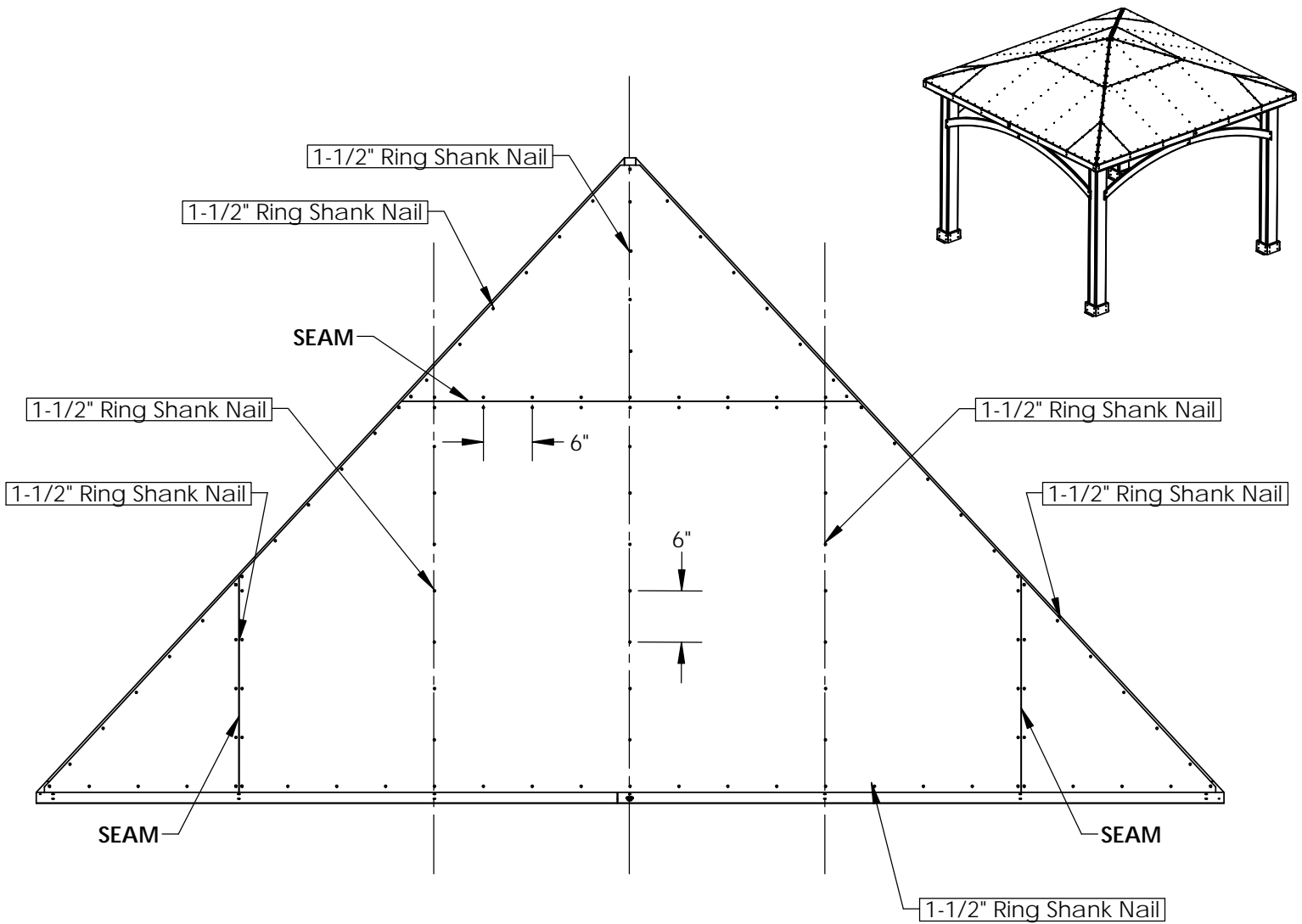
**BAG #**

15119

**HARDWARE**

1-1/2" RING SHANK NAIL X432

- HAMMER 1-1/2" RING SHANK NAILS AT 6" ON CENTER AT ALL EDGES, AND CHALK LINE MARKS AS SHOWN BELOW. X4



# STEP 23: DRIP EDGE

## MATERIALS REQUIRED

DRIP EDGE 60ft

## BAG #

15110

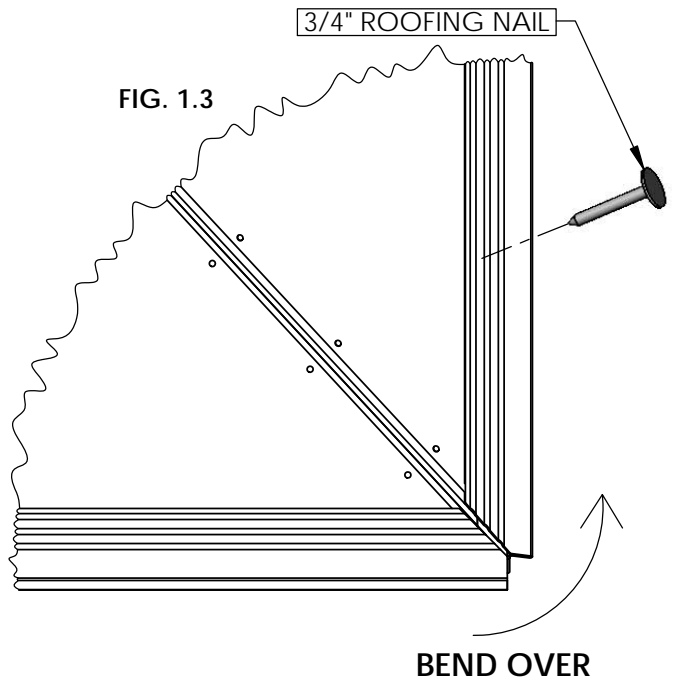
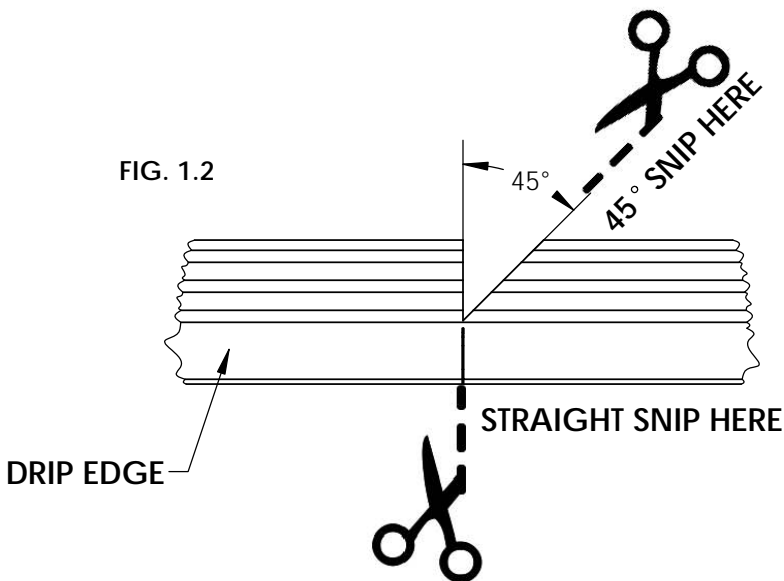
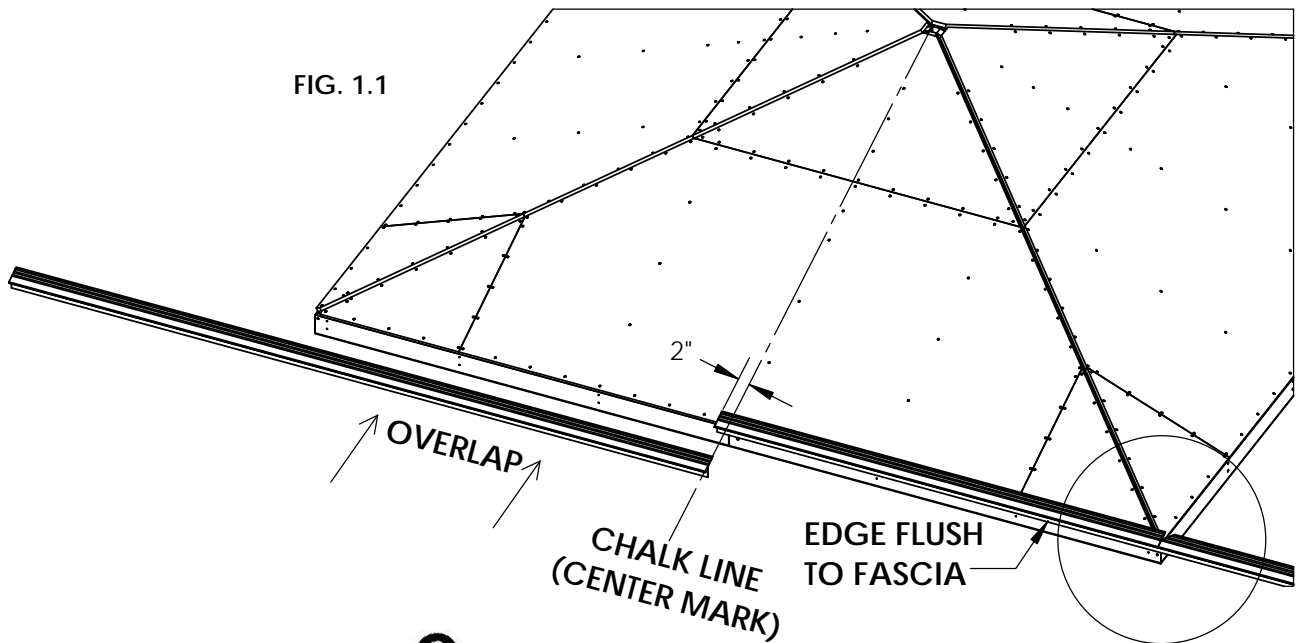
## HARDWARE

3/4" ROOFING NAIL X 60



**YOU MUST INSTALL DRIP EDGE TO VALIDATE YOUR WARRANTY  
(DRIP EDGE NOT INCLUDED)**

- INSTALL DRIP EDGE OVERLAPPING BY 2" FROM CENTER MARK. (FIG. 1.1)
- OVERHANG DRIP EDGE AT THE CORNER, SNIP TOP OF DRIP EDGE (FIG. 1.2)  
BEND OVER TO OTHER SIDE OF ROOF. (FIG. 1.3)
- FOLLOW DIRECTIONS PROVIDED BY MANUFACTURER FOR NAILING PATTERN. ONLY NAIL TOP OF DRIP EDGE AS SHOWN.



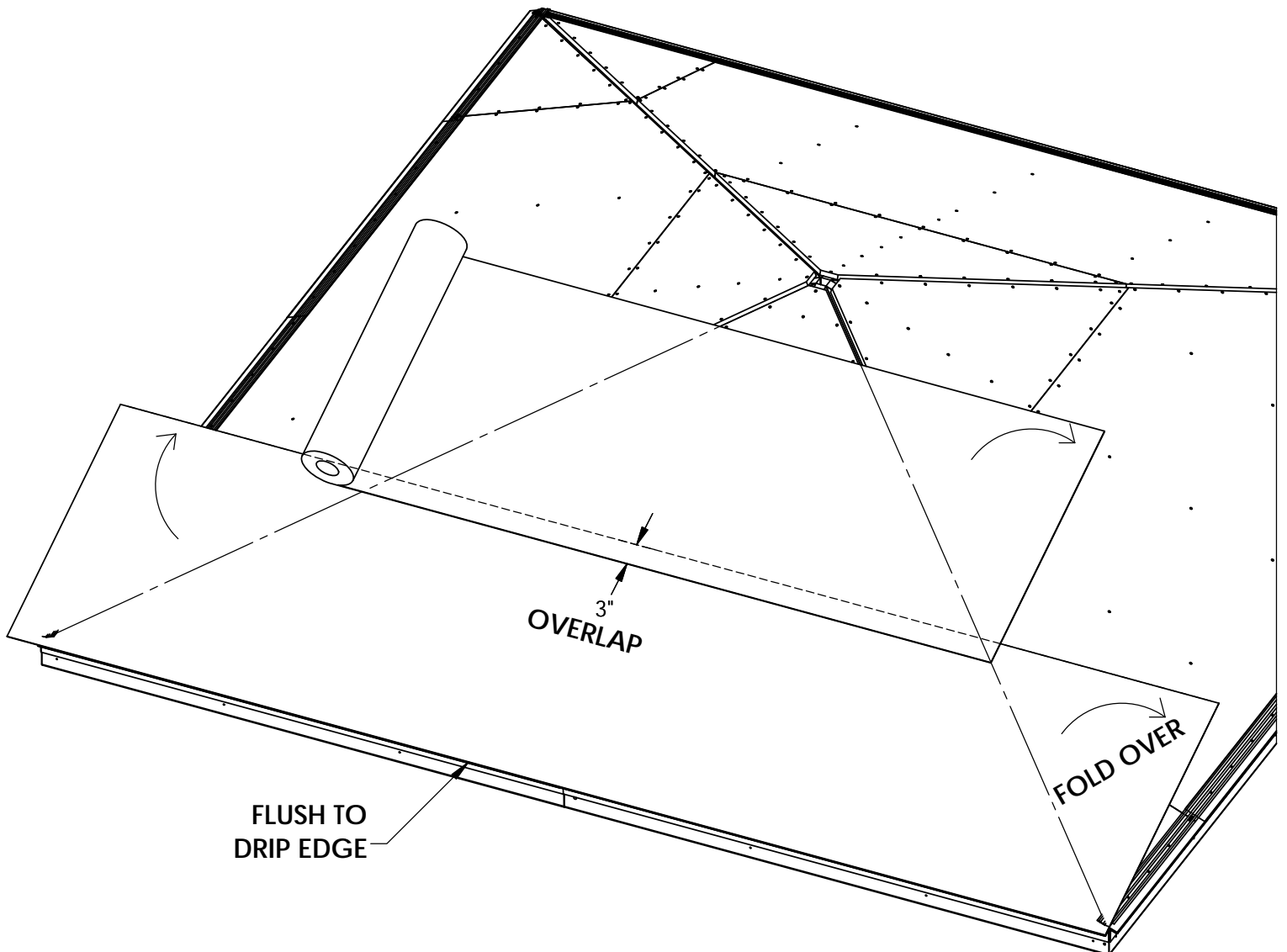
## STEP 24: ROOF FELT (REQUIRED)

### MATERIALS

ROOF FELT 234 sq.ft.

 (ROOF FELT NOT INCLUDED)  
(9/16" OR SHORTER STAPLES NOT INCLUDED)

- INSTALL FELT (**NOT INCLUDED**) FLUSH TO ALL ROOF EDGES OVERLAPPING 3". USE 9/16" OR SHORTER STAPLES. (**STAPLES NOT INCLUDED**)
- INSTALL FELT ON ALL FOUR SIDES OF ROOF.
- LET FELT OVERLAP AT RIDGES, DO NOT CUT-OFF.



# STEP 25: SHINGLES (NOT INCLUDED)

## MATERIALS REQUIRED

3-TAB SHINGLES 9 Bundles  
 OR  
 ARCHITECTURAL SHINGLES 7 Bundles  
 SEE SHINGLE MANUFACTURER FOR NAIL PATTERN

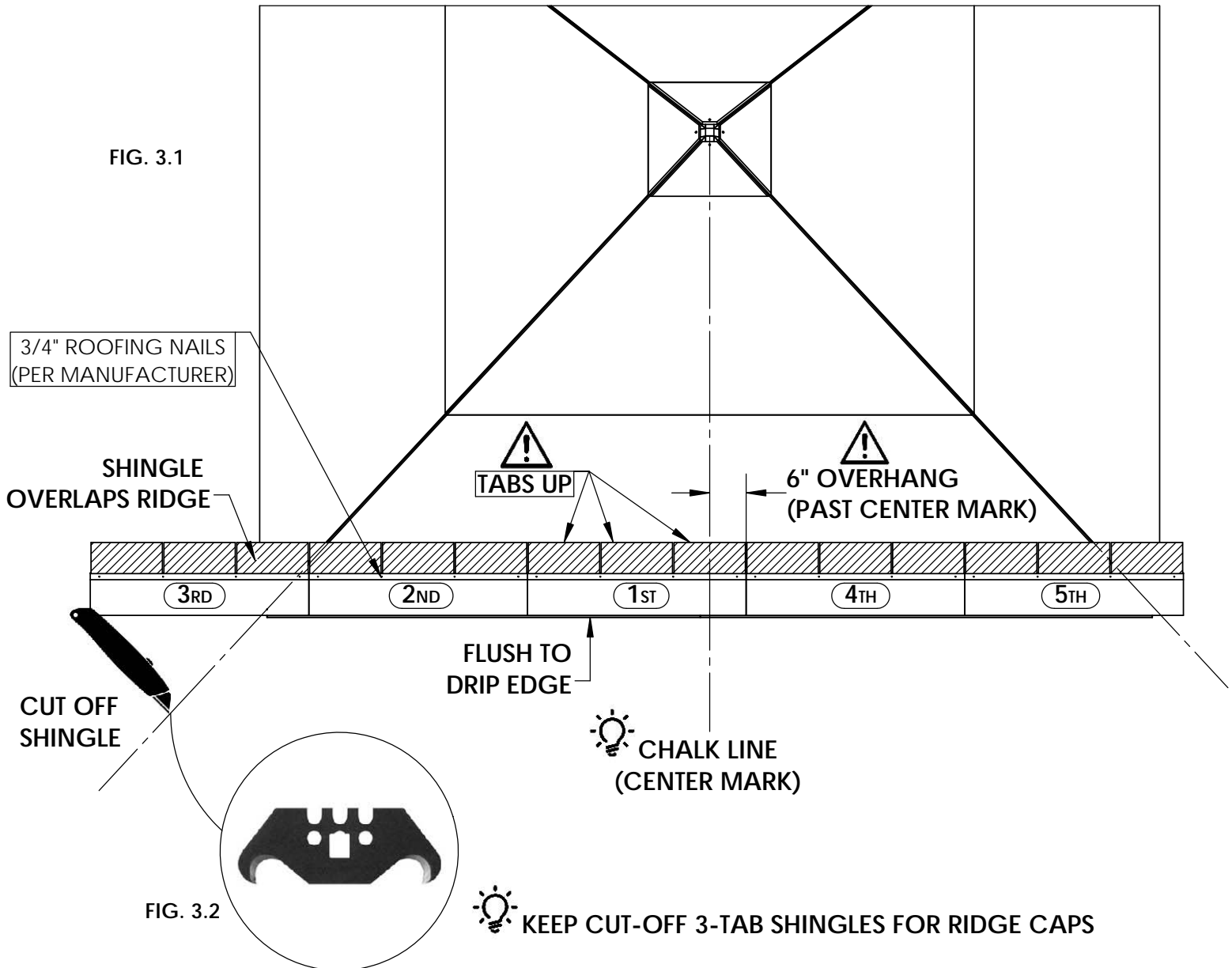
## BAG #

15110 3/4" ROOFING NAIL X 875

## HARDWARE

**⚠️ ONLY USE 3-TAB SHINGLES FOR STARTER ROWS.**

- INSTALL FIRST STARTER ROW UPSIDE DOWN AND COLOR UP. START WITH A 1" OVERHANG AT THE BOTTOM OF ROOF PANEL (**FLUSH TO DRIP EDGE**) AND 6" OVERHANG AT THE CENTER MARK. USE (4) NAILS PER SHINGLE. (FIG 3.1)
- USING YOUR SHINGLE HOOKED BLADE CUT SHINGLES ALONG RIDGE LINE. (FIG. 3.2) BE CAREFUL NOT TO CUT FELT, IF INSTALLED.



## STEP 25: SHINGLES (CONT'D)

- INSTALL FIRST ROW OF SHINGLES FLUSH TO CENTER LINE AND DRIP EDGE AT BOTTOM. (FIG. 3.3)
- USING YOUR SHINGLE HOOKED BLADE CUT SHINGLES ALONG RIDGE LINE. (FIG. 3.5)
- CONTINUE INSTALLING ROWS OF SHINGLES BY SHIFTING TO THE LEFT PER MANUFACTURER'S GUIDELINES. (FIG. 3.4)

FIG. 3.3

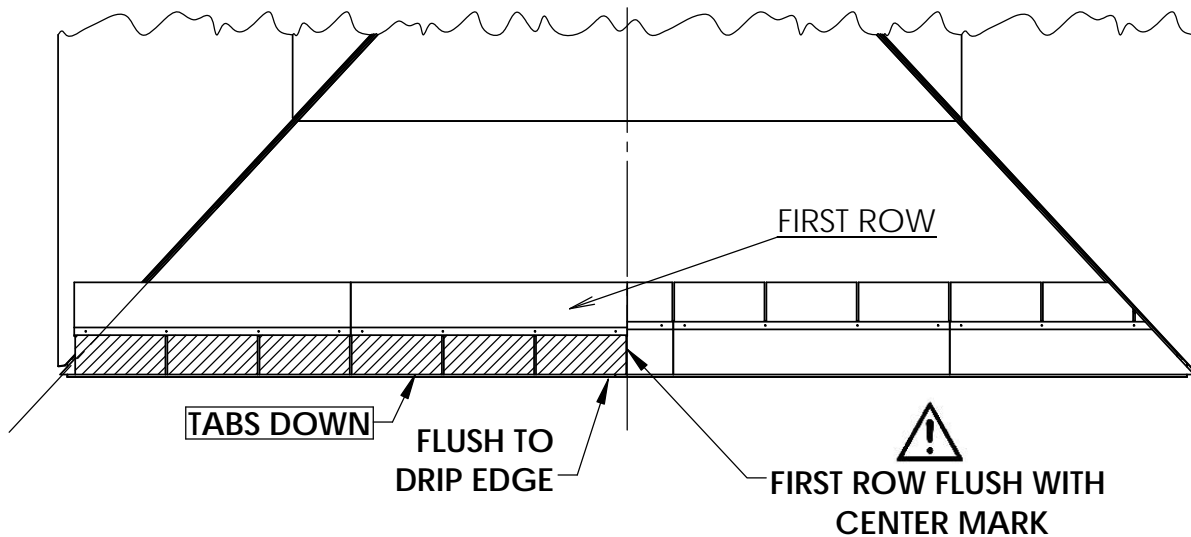


FIG. 3.4

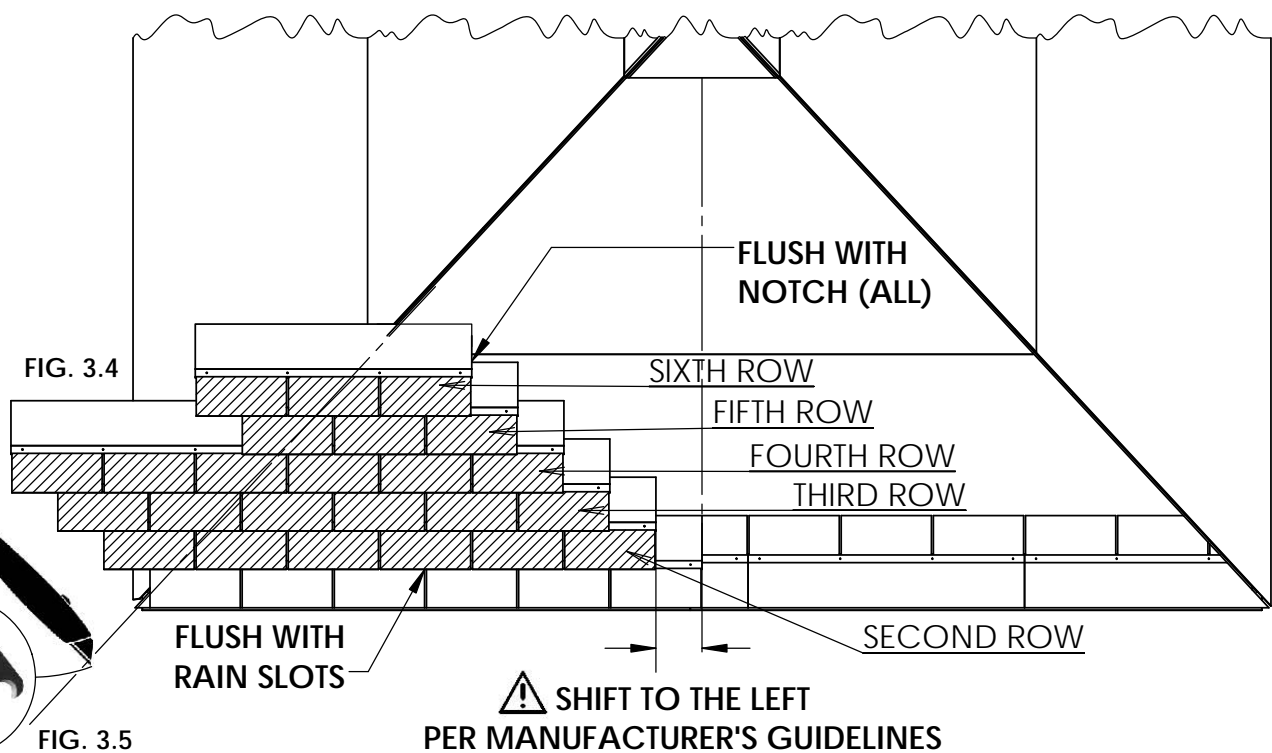


FIG. 3.5

## STEP 25: SHINGLES (CONT'D)

- CONTINUE INSTALLING ROWS OF SHINGLES TO THE PEAK (FIG. 3.6)(FIG. 3.7)
- USING YOUR SHINGLE HOOKED BLADE CUT SHINGLES ALONG RIDGE LINE.(FIG. 3.8)(FIG. 3.9)



**NOTE: REPEAT THIS PROCESS ON REMAINING THREE SIDES OF ROOF !!**

FIG. 3.6

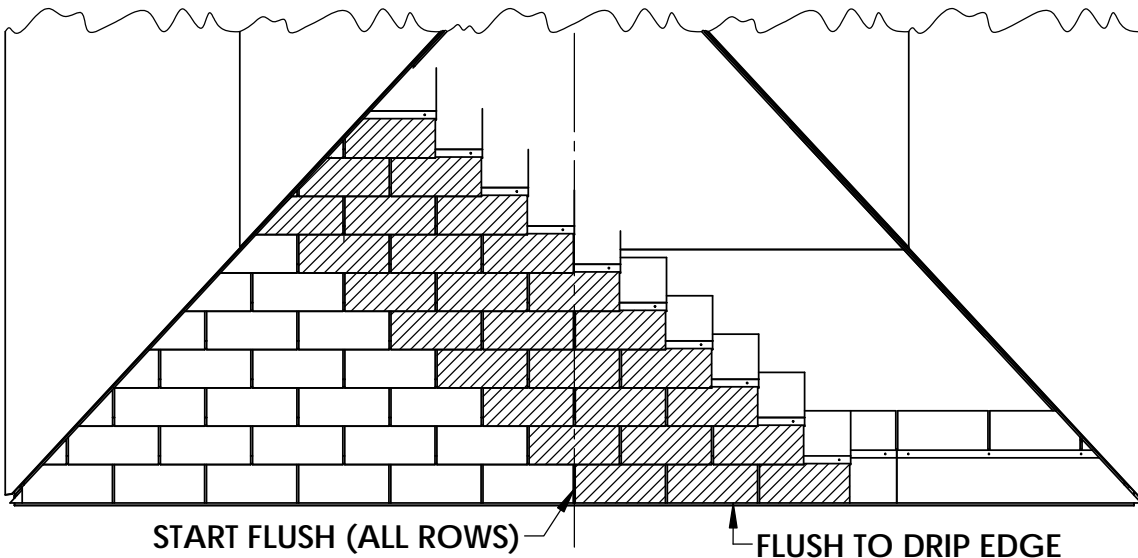


FIG. 3.7

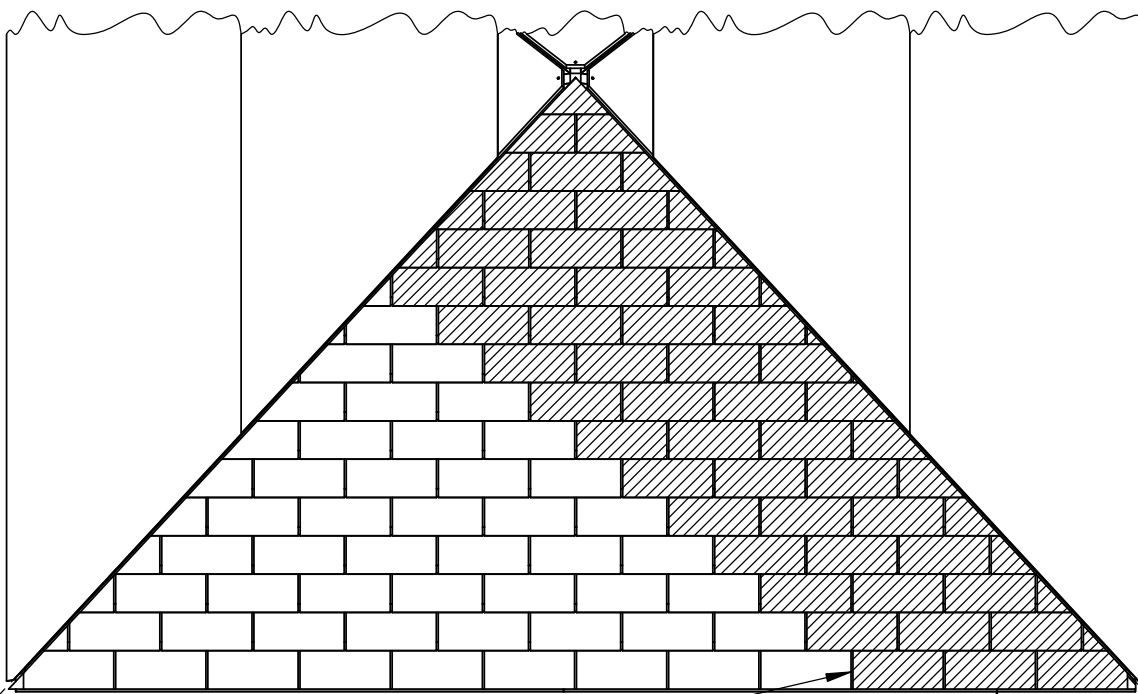


FIG. 3.8



FIG. 3.9





# STEP 26: RIDGE CAP

**⚠ ONLY USE 3-TAB SHINGLES FOR RIDGE CAPS.**

**BAG #**

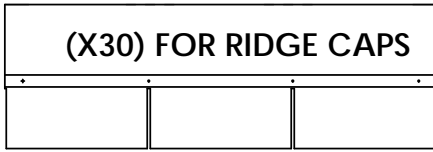
15103

**HARDWARE**

1" ROOFING NAIL

X 175

(X30) FOR RIDGE CAPS



- CUT SHINGLES INTO THREE PIECES. (FIG. 4.1)
- INSTALL FIRST RIDGE CAP FLUSH TO CORNER END OF RIDGE AND CENTER AS SHOWN. (FIG. 4.2) & (FIG. 4.3)
- CUT-OFF EXCESS OF RIDGE CAP AS SHOWN. (FIG. 4.3)

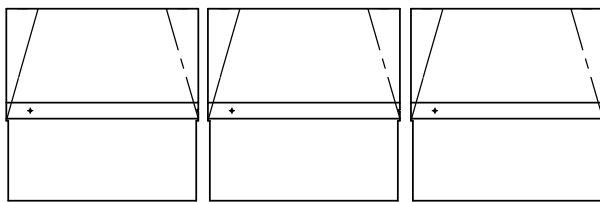


FIG. 4.1

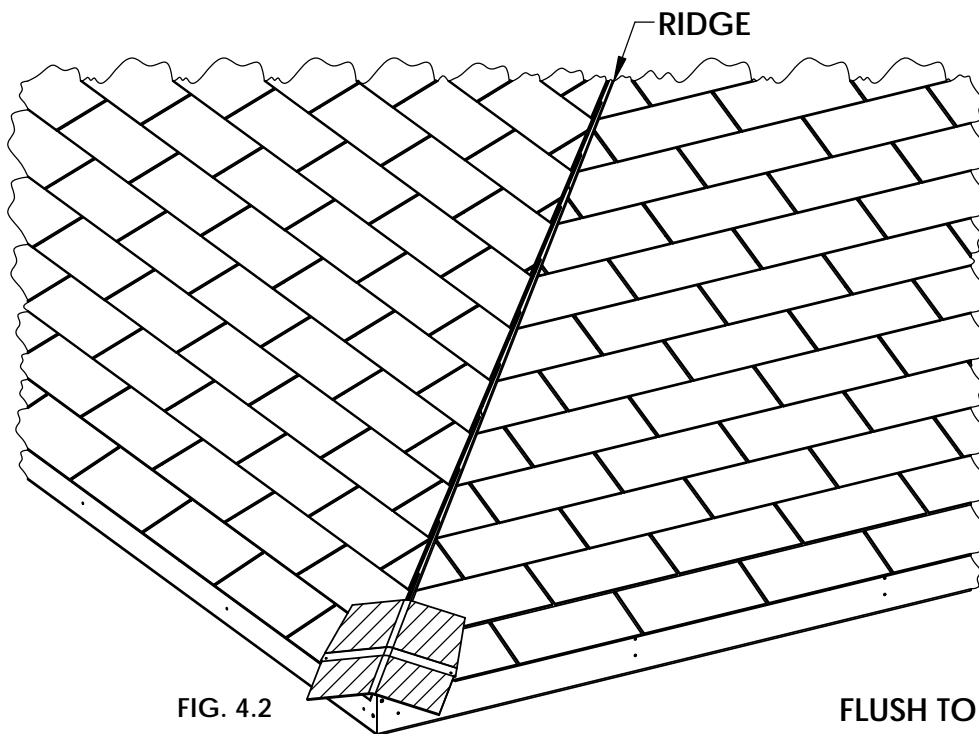
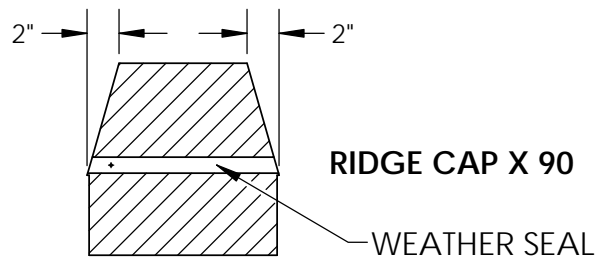


FIG. 4.2

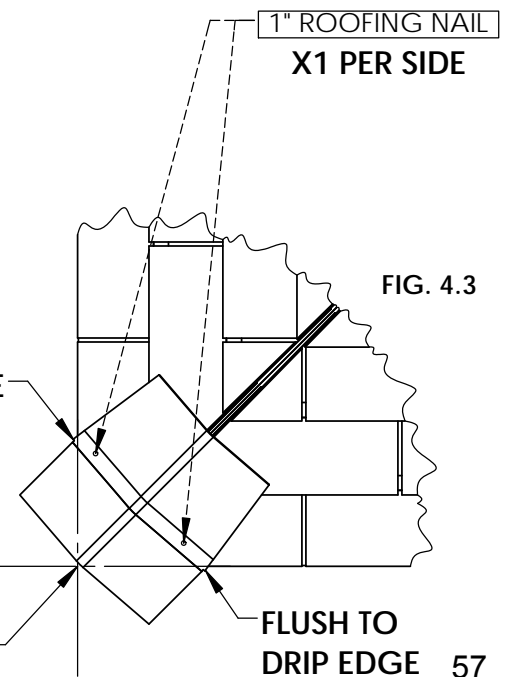
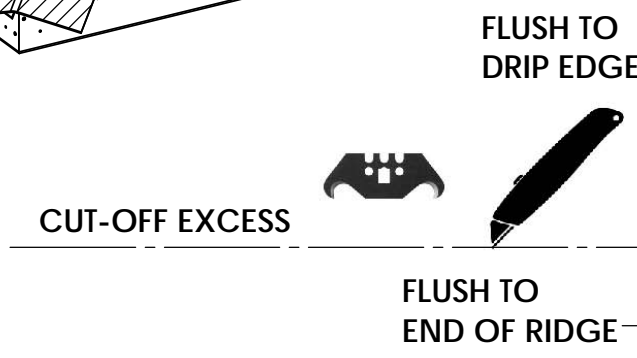
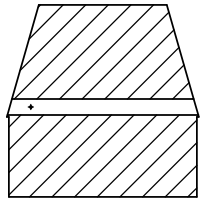


FIG. 4.3



## STEP 26: RIDGE CAP (CONT'D)



RIDGE CAP X 90

BAG #

15103

HARDWARE

1" ROOFING NAIL

X 175

- INSTALL SECOND RIDGE CAP PER MANUFACTURER'S GUIDELINES AS SHOWN. (FIG. 4.4)
- CONTINUE INSTALLING RIDGE CAP TO TOP OF ROOF UNTIL PEAK IS REACHED. (FIG. 4.5)
- REPEAT PROCESS ON ALL RIDGES. (FIG. 4.5)

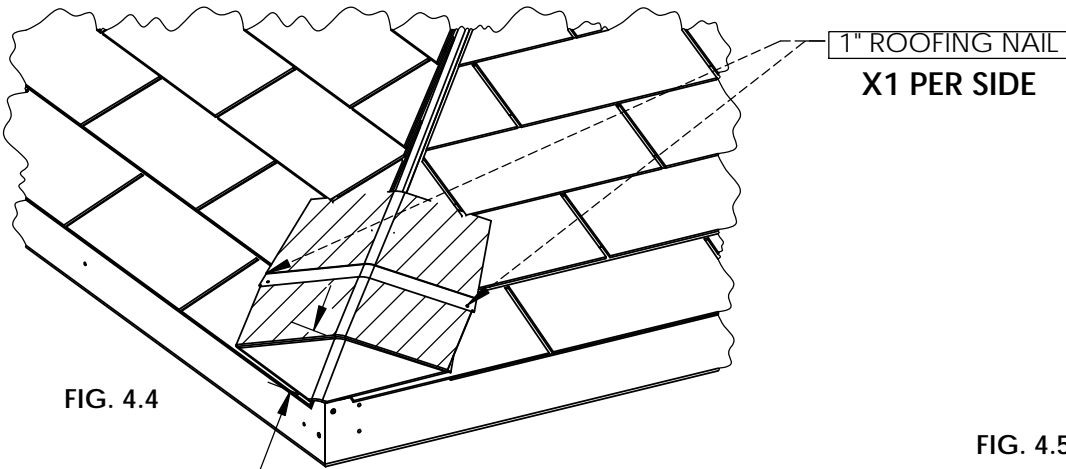
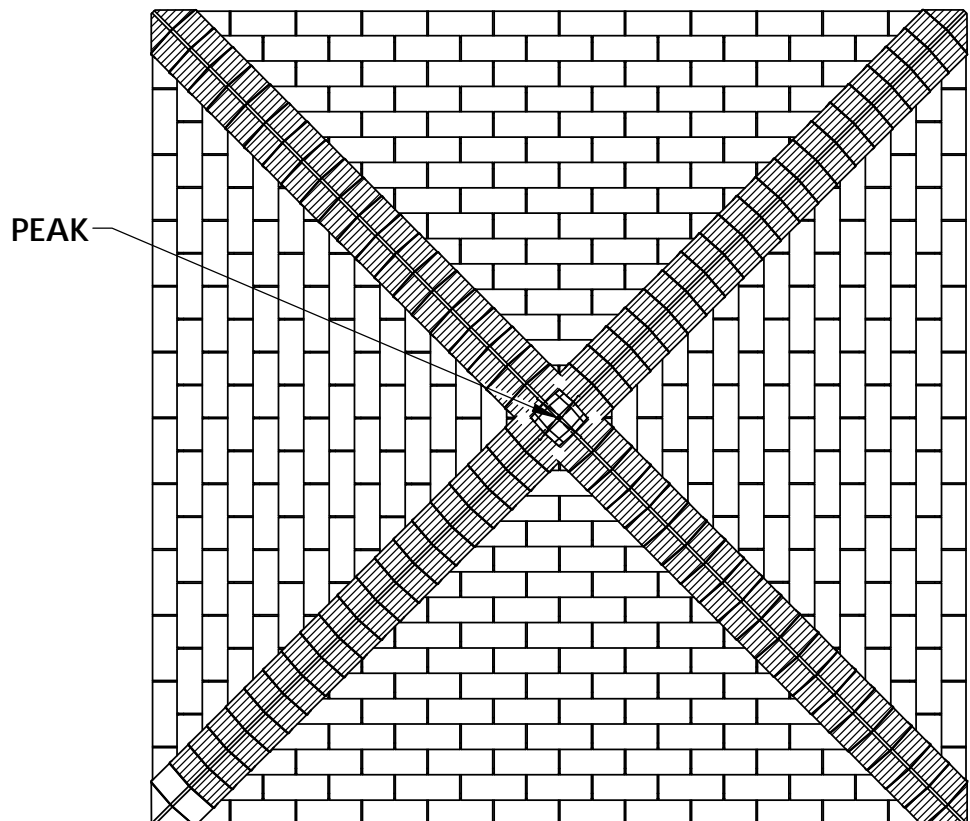


FIG. 4.4

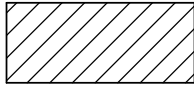
PER MANUFACTURER'S  
GUIDELINES

FIG. 4.5



# STEP 26: RIDGE CAP (CONT'D)

PEAK CAP X2



BAG #

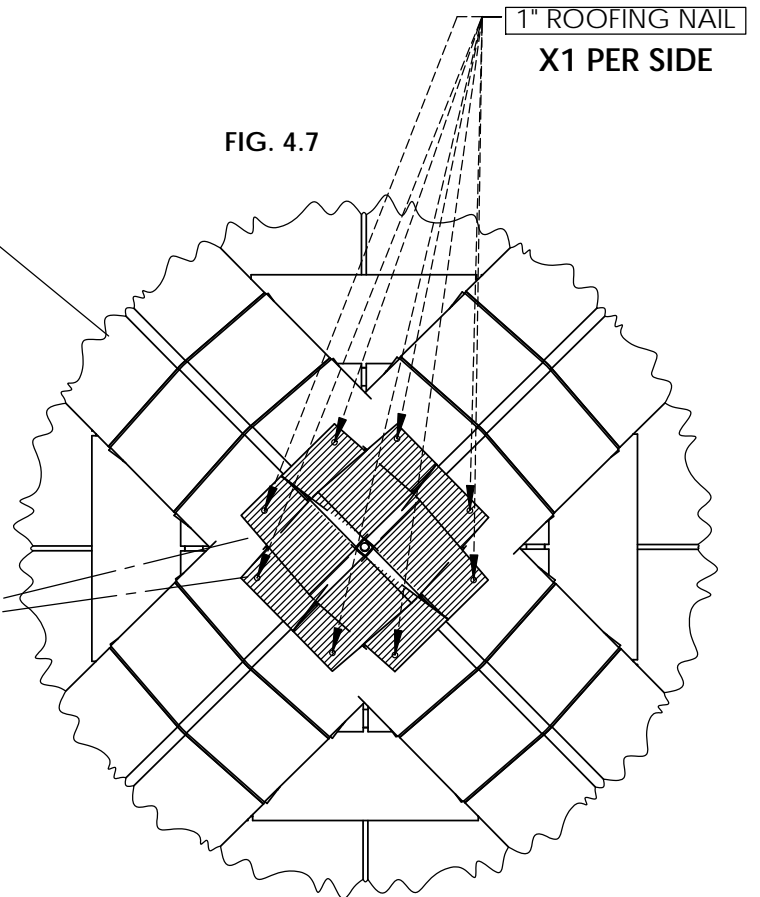
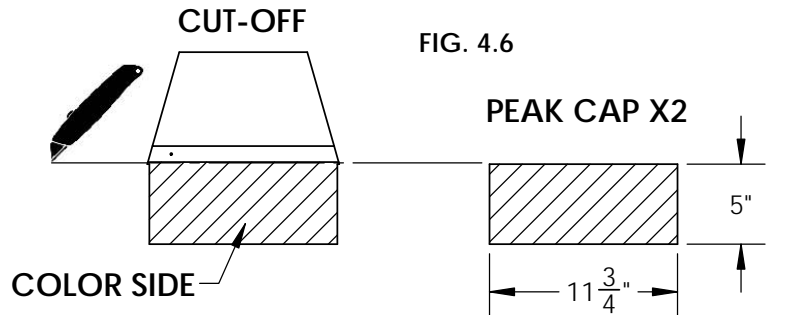
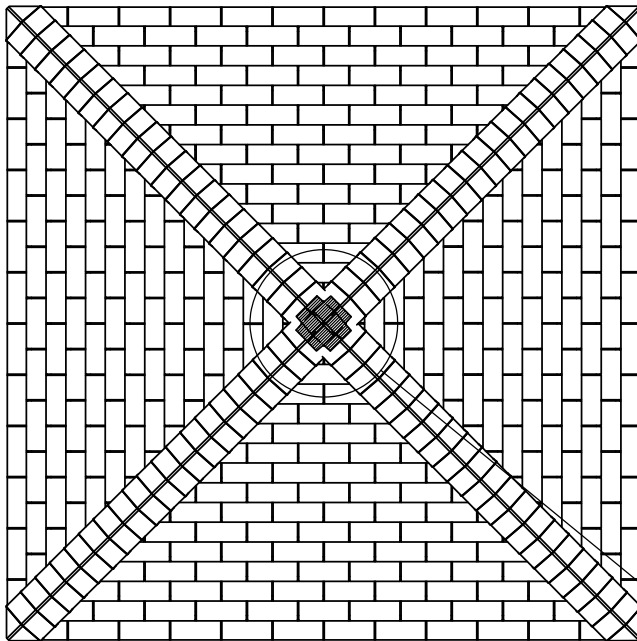
15103

HARDWARE

1" ROOFING NAIL

X 175

- CUT-OFF TWO RIDGE CAPS TO CREATE TWO PEAK CAPS AS SHOWN. (FIG. 4.6)
- INSTALL PEAK CAPS IN A CROSS PATTERN TO PROTECT PEAK FROM RAIN. SECURE WITH TWO ROOFING NAILS PER SIDE AS SHOWN. (FIG. 4.7)
- APPLY ROOFING CAULK AROUND THE NAILS AND ON SEAMS AS NEEDED. (FIG. 4.8)





## LIMITED CONDITIONAL WARRANTY\*

Backyard Storage Solutions, LLC warrants the following:

1. Every product is warranted from defects in workmanship and manufacturing for one (1) year from the original date of purchase.
2. All accessories, hardware and metal components are warranted for one year.
3. Cedar lumber is warranted for five (5) years against rot and decay.
4. This product is warranted for RESIDENTIAL USE ONLY.
5. This Limited Warranty does not cover minor or cosmetic defects in wood such as knots, checks (splits, cracks), minor twisting and warping over time, or any other natural occurring properties of wood that do not affect the performance or integrity of the structure.

Backyard Products LLC will repair, replace or pay for the affected part. In no event shall Backyard Products, LLC pay the cost of inspection, labor or installation or any other costs related thereto. All warranties are from date of purchase. If a cash refund is paid on an affected part, it will be prorated from the date of purchase.

## CONDITIONS

The warranty is effective only when:

1. The unit has been erected in accordance with the assembly instructions.
2. The unit has been properly shingled, roof felt and drip edge installed, and regularly maintained.
3. The structure is properly leveled and anchored. Failure to anchor will void your warranty.
4. The failure occurs when the unit is owned by the original purchaser and is not transferable.
5. Any modifications made to the original structure could damage the structure or result in structural failure. Backyard cannot assume any responsibility for modifications to the structure. Modifications to the structure voids any and all warranties.
6. Backyard Products, LLC has received the warranty registration within thirty (30) days of purchase and notification of the failure in writing within the warranty period specified above.
7. Backyard Products, LLC has had reasonable opportunity during the sixty (60) days following receipt of notification to inspect and verify the failure prior to commencement of any repair work.

## REQUIREMENTS

To validate your warranty, it is necessary to properly maintain your Backyard Products, LLC unit. This includes shingling the roof, roof felt, drip edge installation, treating the wood on your pavilion with an exterior grade wood preservative, water-repellent or stain. Brackets and fasteners which indicate rust or chipping of painted surfaces should be sanded, primed and painted to maintain appearance and longevity. Maintenance must be done regularly or as needed to maintain your warranty. Keep vegetation trimmed away from structure. Water from sprinklers must be kept off unit. Avoid installing the structure in standing water or areas that collect water.

In no event will Backyard Products, LLC be responsible for any indirect, incidental, consequential or special damages, vandalism, nor for failure(s) that are caused by events, acts or omissions beyond our control including, but not limited to, misuses or improper assembly, improper maintenance (which eventually leads to rust, rot or decay) and acts of God. Backyard Products, LLC will not be held responsible for any labor costs incurred to construct your unit.

This warranty gives you certain specific rights that vary from state to state.

## CLAIM PROCEDURE

To make a claim under this warranty, you can either call 1-888-827-9056 or email: [customerservice@backyardproductsllc.com](mailto:customerservice@backyardproductsllc.com). Please have ready the information below when you call or include the information in your email:

1. The model and size of the product.
2. A list of the part(s) for which the claim is made.
3. Proof of purchase of the Backyard Products, LLC item, as shown on the original invoice or receipt.

All other inquiries can be mailed to:

Backyard Products, LLC  
Attn: Customer Service  
1000 Ternes Monroe, MI 48162

WARRANTY TERMS MAY VARY OUTSIDE THE U.S.A. IMPORTANT: This is your warranty certificate.