

# OLFL 14

LED Security Flood Light

## Value and Versatility Defined

The OLFL 14 really packs a punch — with annual energy savings of up to \$132, it pays for itself in less than one year! There's even a standard photocell which turns the light on at dusk and off at dawn. Now that's smart!

### Key Features:

- OLFL 14 replaces up to 300W Quartz Halogen using only 26W
- 2 high-powered LEDs provide 1900 lumens in a neutral 4000K CCT
- Fully gasketed glass lens protects the LEDs from water and bugs
- 50,000 hour LED life<sup>1</sup>
- Includes standard photocell for dusk-to-dawn operation
- Rugged cast aluminum housing with bronze powder-coat finish
- Highly efficient LEDs provide 74 lumens per watt

<sup>1</sup>LED lifespan based on IESNA LM-80-08 results and calculated per IESNA TM-21-11 methodology.

Learn more about the OLFL LED at [www.lithonia.com](http://www.lithonia.com)

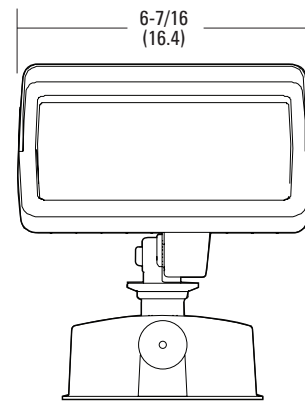
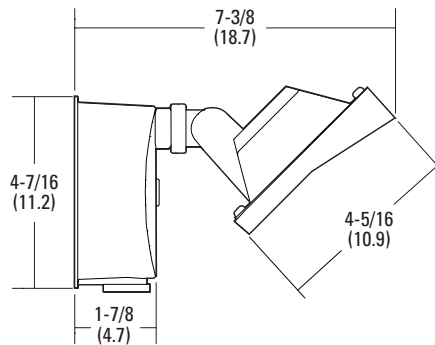


# OLFL LED Security Flood Light

## Ordering Information

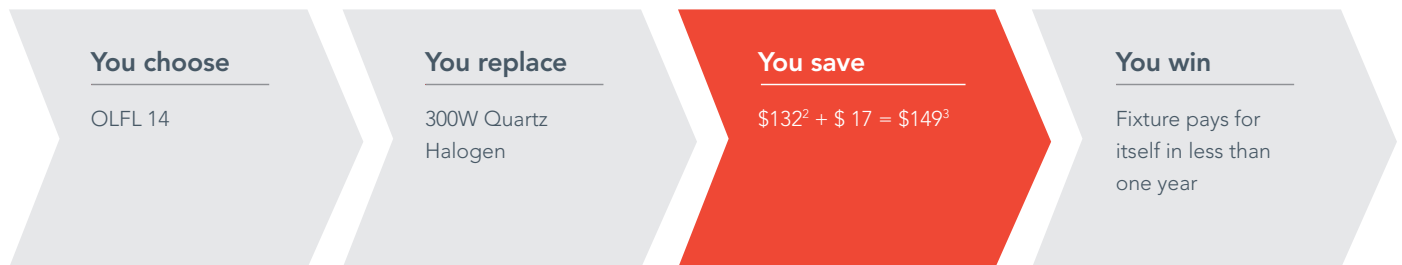
EXAMPLE: OLFL 14 PE BZ

OLFL		Model/Color temperature (CCT)		Voltage		Control		Finish	
OLFL	LED Security Flood Light	14	4000K <sup>1</sup>	(blank)	120V	PE	Photoelectric cell, button type	BZ	Bronze



Mounts to a recessed junction box

## Need more out of your LED luminaires?



### Notes

- 1 Correlated Color Temperature (CCT) shown is nominal per ANSI C78,377-2008.
- 2 Based on 12 hours operation per day and energy costs of \$.11 per kWh
- 3 Annual Energy + Estimated Lamp Replacement Cost= Total Annual Savings



Visit [www.lithonia.com](http://www.lithonia.com) for more information