



OWNER'S MANUAL

19 in. - 40 VOLT LITHIUM-ION CORDLESS MOWER

5.0Ah Lithium-ion Battery

Copyright All Rights Reserved.

Model 61940S

BATTERY MUST BE CHARGED BEFORE FIRST USE. TWO TO THREE INITIAL CHARGING/DISCHARGING CYCLES MAY BE REQUIRED TO ACHIEVE MAXIMUM RUN TIME/CAPACITY.



CA Compliant
Charger Included
(Model No.
CHL84000)

Your lawn mower has been engineered and manufactured to our high standard for dependability, ease of operation, and operator safety. Properly cared for, it will give you years of rugged, trouble-free performance.



WARNING: To reduce the risk of injury, the user must read and understand the owner's manual before using this product.

Thank you for your purchase.

DO NOT RETURN THIS PRODUCT TO THE STORE. OPERATING, ASSEMBLY, PARTS, SERVICE QUESTIONS? GO TO SCOTTS.AMERICANLAWNMOWER.COM OR CALL 1-800-618-7474 BETWEEN 8:00 AM—5:00 PM EST FOR ASSISTANCE.

SAVE THIS MANUAL FOR FUTURE REFERENCE

TABLE OF CONTENTS

- Introduction.....2
- Important Safety Instructions.....3-5
- Symbols..... 6
- Features..... 7-8
- Assembly.....8-10
- Operation.....11-12
- Charging the battery pack..... 13
- Maintenance.....14-16
- Troubleshooting..... 17
- Parts and Service.....18
- Notes.....19
- Warranty.....Back Page

INTRODUCTION

This product has many features for making its use more pleasant and enjoyable. Safety, performance, and dependability have been given top priority in the design of this product making it easy to maintain and operate.

Refer to the recommended ambient temperature range for appliance and battery use and storage, and for charging system during charging.

	Recommended Ambient Temperature Range
Mower Operation	41 °F - 104 °F (5 °C - 40 °C)
Mower Storage	32 °F - 100 °F (0 °C - 38 °C)
Battery Charging	39 °F - 104 °F (4 °C - 40 °C)
Charger Operation	39 °F - 104 °F (4 °C - 40 °C)
Battery Storage	32 °F - 104 °F (0 °C - 40 °C) for 3 months before charging is required.
Battery Discharging	32 °F - 104 °F (0 °C - 40 °C)



WARNING:

To avoid serious injury, do not attempt to use this product until you read thoroughly and understand completely the owner's manual. If you do not understand the warnings and instructions in the owner's manual, do not use this product. Call Scotts customer service for assistance.



WARNING:



The operation of any power tool can result in foreign objects being thrown into your eyes, which can result in severe eye damage. Before beginning power tool operation, always wear safety goggles or safety glasses with side shields and, when needed, a full face shield. We recommend Wide Vision Safety Mask for use over eyeglasses or standard safety glasses with side shields. Always use eye protection which is marked to comply with ANSI Z87.1.

SAVE THESE INSTRUCTIONS

IMPORTANT SAFETY INSTRUCTIONS

WARNING:

READ AND UNDERSTAND ALL INSTRUCTIONS

Failure to follow all instructions listed below and on the machine may result in electric shock, fire, and/or serious personal injury.

SAFETY INSTRUCTIONS FOR PEDESTRIAN-CONTROLLED MOWERS

IMPORTANT - Safe Practices for Pedestrian-Controlled Mower

This machine is capable of amputating hands and feet and throwing objects. Failure to observe the following safety instructions could result in serious injury or death.

I. GENERAL INFORMATION

1. Read, understand, and follow instructions and warnings in this manual and on the machine, engine and attachments.
2. Only allow operators, who are responsible, trained, familiar with the instructions, and physically capable to operate the machine.
3. Keep bystanders away.
4. Do not operate the machine while under the influence of alcohol or drugs.

II. PREPARATION BEFORE OPERATING

1. Clear the operating area of any objects which could be thrown by or interfere with operation of the machine.
2. Keep the area of operation clear of all bystanders, particularly small children. Stop the machine and attachment (s) if anyone enters the area.
3. Do not operate the machine without the entire grass catcher, discharge chute, or other safety devices in place and functioning properly. Check frequently for signs of wear or deterioration and replace as needed.
4. Wear appropriate personal protective equipment such as safety glasses, hearing protection, and footwear.

III. OPERATING

1. Only operate the machine in daylight or good artificial light.
2. Avoid holes, ruts, bumps, rocks, or other hidden hazards. Uneven terrain could overturn the machine, or cause operator to lose their balance or footing.
3. Do not put hands or feet near rotating parts or under the machine. Keep clear of the discharge opening at all times.
4. Do not direct discharge material toward anyone. Avoid discharging material against a wall or obstruction. Material may ricochet back toward the operator. Stop the blade (s) when crossing gravel surfaces.
5. Do not leave a running machine unattended. Always park on level ground, disengage the attachment, and stop engine.
6. Do not mow in reverse unless absolutely necessary. Always look down and behind before and while backing.

IV. CHILDREN SPECIFIC

1. Tragic accidents can occur if the operator is not alert to the presence of children. Children are often attracted to the machine and the mowing activity. Never assume that children will remain where you last saw them.

2. Keep children out of the operating area and under the watchful care of a responsible adult other than the operator.

V. SLOPE SPECIFIC

Slopes are a major factor related to accidents. Operation on slopes requires extra caution.


1. Travel in the manufacturer recommended direction on slopes. Use caution while operating near drop-offs.
2. Avoid mowing wet grass. (Poor footing could cause a slip and fall accident.)
3. Do not operate machine under any condition where traction, steering, or stability is in question. Tires could slide even if the wheels are stopped.
4. Always keep the machine in gear when going down slopes. Do not coast downhill.
5. Avoid starting and stopping on slopes. Avoid making sudden changes in speed or direction. Make turns slowly and gradually.
6. Use extra care while operating machine with a grass catcher or other attachment (s). They can affect the stability of the machine.


VI. HAULING

1. Use full width ramps for loading and unloading a machine for transport.

VII. SERVICE

1. Keep machine in good working order. Replace worn or damaged parts.
2. Use caution when servicing blades. Wrap the blade (s) or wear gloves. Replace damaged blades. Do not repair or alter blade (s).
3. Remove or disconnect battery before servicing or making any repairs.

 **WARNING:** California Proposition 65:
This product contains chemicals known to the State of California to cause cancer, birth defects or other reproductive harm.

 **WARNING:** Some dust and debris created by the use of this tool could contain chemicals known to the State of California to cause cancer and birth defects or other reproductive harm. Some examples of these chemicals are:

- * Chemicals in fertilizers
- * Compounds in insecticides, herbicides and pesticides
- * Arsenic and chromium from chemically treated lumber

Your risk from exposure to these chemicals varies, depending on how often you do this type of work. To reduce your exposure, work in a well-ventilated area and with approved safety equipment, such as dust masks that are specially designed to filter out microscopic particles.

 **WARNING:** Cancer and Reproductive Harm – www.P65Warnings.ca.gov.

IMPORTANT SAFETY INSTRUCTIONS

- Avoid Dangerous Environment - Do not use the lawn mower in damp or wet conditions or operate in the rain.
- Keep the area clear of all bystanders, children, and pets while mowing. Stop machine if anyone enters the area.
- Dress properly - Do not wear loose clothing or jewelry. They can be caught in moving parts. Use of rubber gloves and footwear is recommended when working outdoors.
- Don't over reach - Keep firm footing and balance. Do not overreach. Over-reaching can result in loss of balance.
- Do not operate the equipment with barefoot or when wearing sandals or similar lightweight footwear. Wear protective footwear that will protect your feet and improve your footing on slippery surfaces.
- Use safety glasses - Always wear safety glasses with side shields. Everyday glasses have only impact resistant lenses. They are NOT safety glasses. Following this rule will reduce the risk of eye injury. Use face mask if environment is dusty.
- Wear safety glasses or goggles that are marked to comply with ANSI Z87.1 standard when operating this product.
- Use the right appliance - Do not use the lawn mower for any job except that for which it is intended.
- Do not force the lawn mower - It will do the job better and safer at the rate for which it was designed.
- Stay alert - Watch what you are doing, and use common sense when operating the lawn mower. Do not operate the mower while tired or under the influence of drugs, alcohol, or medication. A moment of inattention while operating the lawn mower may result in serious personal injury.
- Maintain lawn mower with care - Keep machine in good working condition. Keep blades sharp and guards in place and in working order.
- Check all nuts, bolts, and screws at frequent intervals for proper tightness to be sure the equipment is in safe working condition.
- Stop the motor, remove the switch key and wait until the blade comes to a complete stop before cleaning the lawn mower, removing the grass catcher, unclogging the discharge opening, or making any repairs or inspections.
- When not in use, mower should be stored indoors in a dry, locked up place—out of reach of children.
- Always use safety protective devices. Do not operate the mower without the entire grass catcher discharge guard, rear guard, or other safety protective devices in place and working.
- Follow manufacturer's instructions for proper operation and installation of accessories. Only use accessories approved by the manufacturer.
- Do not mow on wet grass or excessively steep slopes. Poor footing could cause a slip and fall accident. Walk, never run.
- Use extra care when approaching blind corners, shrubs, trees, or other objects that may block your view.
- Clear the work area before each use. Remove all objects such as rocks, sticks, wire, bones, toys, or other objects which can be thrown by the blade. Stay behind the handle when the motor is running.
- Do not mow near drop-offs, ditches, or embankments.
- Mow across the face of slopes, never up and down. Exercise extreme caution when changing direction on slopes.
- Plan your mowing pattern to avoid discharge of material towards roads, sidewalks, bystanders and the like. Also, avoid discharging material against a wall or obstruction, which may cause the material to ricochet back toward the operator.
- Do not pull the mower backward unless absolutely necessary. If you must back the mower away from a wall or obstruction first look down and behind to avoid tripping.
- Objects struck by the lawn mower blade can cause severe injuries to persons. The lawn should always be carefully examined and cleared of all objects prior to each mowing.
- If the lawn mower strikes a foreign object, follow these steps:
 - * Stop the lawn mower and release the switch control bail wire,
 - * Remove the switch key
 - * Thoroughly inspect the mower for any damage
 - * Repair any damage before restarting and continuing to operate the mower.
- Stop the motor, remove the switch key, and wait until the blade comes to a complete stop before removing the grass catcher or unclogging the chute, The cutting blade continues to rotate for a few seconds after the motor is shut off. Never place any part of the body in the blade area until you are sure the blade has stopped rotating,
- If the mower should start to vibrate abnormally, stop the motor and check immediately for the cause. Vibration is generally a warning of trouble.
- Service on the product must be performed by qualified repair personnel only. Service or maintenance performed by unqualified personnel could result in injury to the user or damage to the product.
- Use only identical replacement parts when servicing the product. Use of unauthorized parts may create a risk of serious injury to the user or damage to the product.
- Replace blade if it is bent or cracked. An unbalanced blade causes vibration that could damage the motor drive unit or cause personal injury. Sharpen a dull blade equally at each end to maintain the balance. Clean the blade thoroughly and check its balance by supporting it horizontally on a thin nail through its center hole. The nail should be in a horizontal position. If either end of the blade rotates downward, remove some metal from the heavy or lower end until the blade is balanced. It is balanced when neither end drops.
- The grass bag assembly is subject to deterioration and wear and should be checked each time the mower is used. If replacement is needed, make sure the new grass bag meets original manufacturer's recommendations and specifications.
- Maintain or replace safety instructions labels, as necessary.
- Store idle lawn mower indoors - When not in use, mower should be stored indoors in a dry, locked place out of the reach of children. The start key should also be removed and stored in a separate location out of the reach of children.
- Follow instructions for lubricating and changing accessories.
- Never operate machine in a closed area.
- Never tamper with safety devices. Check for proper operation regularly.
- Never attempt to make a wheel height adjustment while the motor is running.
- Do not wash with a hose; avoid getting water in motor and electrical connections.






IMPORTANT SAFETY INSTRUCTIONS

SAFETY RULES FOR BATTERY AND CHARGER




- Prevent unintentional starting. Ensure the switch is in the off-position before connecting to battery pack, picking up or carrying the appliance. Carrying the appliance with your finger on the switch or energizing appliance that have the switch on invites accidents.
 - Disconnect the battery pack from the appliance before making any adjustments, changing accessories, or storing appliance. Such preventive safety measures reduce the risk of starting the appliance accidentally.
 - Recharge only with **Scotts 40V charger (CHL84000)**. A charger that is suitable for one type of battery pack may create a risk of fire when used with another battery pack.
 - Use appliances only with **Scotts 40V lithium-ion battery packs (BL82040, BL85040)**. Use of any other battery packs may create a risk of injury and fire. See Charger Manual.
 - When battery pack is not in use, keep it away from other metal objects, like paper clips, coins, keys, nails, screws or other small metal objects, that can make a connection from one terminal to another. Shorting the battery terminals together may cause burns or a fire.
 - Under abusive conditions, liquid may be ejected from the battery; avoid contact. If contact accidentally occurs, flush with water. If liquid contacts eyes, additionally seek medical help. Liquid ejected from the battery may cause irritation or burns.
 - Do not use a battery pack or appliance that is damaged or modified. Damaged or modified batteries may exhibit unpredictable behavior resulting in fire, explosion or risk of injury.
 - Do not expose a battery pack or appliance to fire or excessive temperature. Exposure to fire or temperature above 265°F (130°C) may cause explosion.
 - Follow all charging instructions and do not charge the battery pack or appliance outside of the temperature range specified in the instructions. Charging improperly or at temperatures outside of the specified range may damage the battery and increase the risk of fire. See Charger Manual.
 - Have servicing performed by a qualified repair person using only identical replacement parts. This will ensure that the safety of the product is maintained.
 - Do not modify or attempt to repair the appliance or the battery pack (as applicable) except as indicated in the instructions for use and care.
 - Do not open or mutilate battery (ies). Released battery fluid may cause damage to the eyes, or skin. It may be toxic if swallowed.
 - Exercise care in handling batteries in order not to short the battery with conducting materials such as rings, bracelets, and keys. The battery or conductor may overheat and cause burns.
 - Disconnect battery - Disconnect battery pack from the appliance before storing, servicing, transporting, or changing accessories such as blades. Such preventive safety measures reduce the risk of starting the tool accidentally.
 - Stop the unit and disconnect battery pack and start key when not in use. Carry or push the unit with the motor stopped and the start key and battery pack removed from the mower.
 - Battery tools do not have to be plugged into an electrical outlet; therefore, they are always in operating condition. Be aware of possible hazards when not using your battery tool or when changing accessories. Following this rule will reduce the risk of electric shock, fire, or serious personal injury.
 - Do not use battery-operated appliance in rain.
 - Remove or disconnect battery before servicing, cleaning or removing material from the gardening appliance.
 - Do not charge lawn mower in rain, or in wet locations.
 - Do not abuse the cord. Never use the cord for carrying, pulling or unplugging the power tool. Keep cord away from heat, oil, sharp edges or moving parts. Damaged or entangled cords increase the risk of electric shock.
 - Use of an attachment not recommended or sold by the battery charger manufacturer may result in a risk of fire, electric shock, or injury to persons. Following this rule will reduce the risk of electric shock, fire, or serious personal injury.
 - Do not service mower with battery, switch key, or charger installed.
 - Do not use the charger when the ambient temperature is above 104°F (40°C) or below 39°F (4°C).
 - Do not operate charger with a damaged cord or plug which could cause shorting and electric shock. If damaged, replace the charger with an identical charger from an authorized service provider.
 - Do not operate charger if it has received a sharp blow, been dropped or otherwise damaged in any way. Take it to an authorized service center for electrical check to determine if the charger is in good working order.
 - Unplug charger from outlet before attempting any maintenance or cleaning to reduce the risk of electric shock.
 - Disconnect charger from the power supply when not in use to prevent damage to the charger during a power surge,
 - Risk of electric shock, Do not touch uninsulated portion of output connector or uninsulated battery terminal.
 - Do not expose charger to wet or damp conditions, Water entering charger will increase the risk of electric shock,
 - Make sure cord is located so that it will not be stepped on, tripped over, come in contact with sharp edges or moving parts or otherwise subjected to damage or stress. This will reduce the risk of accidental falls, which could cause injury, and damage to the cord, which could result in electric shock.
 - Keep cord and charger away from heat to prevent damage to housing or internal parts.
 - Do not let gasoline, oils, petroleum-based products, etc. come in contact with plastic parts. They contain chemicals that can damage, weaken or destroy plastic.
- Save these instructions.** Refer to them frequently and use them to instruct others who may use this product. If you loan someone this tool, loan them these instructions also.

SYMBOLS

Some of the following symbols may be used on this product. Please study them and learn their meaning. Proper interpretation of these symbols will allow you to operate the product better and safer.

SYMBOL	NAME	DESIGNATION/EXPLANATION
V	Volts	Voltage
A	Amperes	Current
Hz	Hertz	Frequency (cycles per second)
W	Watt	Power
hrs	Hours	Time
Gal	Gallon	Volume
qt	Quart	Volume
	Wet Conditions Alert	Do not expose to rain or use in damp locations
	Read the Owner's Manual	To reduce the risk of injury, user must read and understand owner's manual before using this product.
	Eye Protection	Always wear safety goggles or safety glasses with side shields and, as necessary, a full face shield when operating this product.
	Safety Alert	Precautions that involve safety
	Electric Shock	Failure to use in dry conditions and to observe safe practices can result in electric shock

The following signal words and meanings are intended to explain the levels of risk associated with this product.

SYMBOL	SIGNAL	MEANING
	DANGER	Indicates an imminently hazardous situation, which, if not avoided, will result in death or serious injury.
	WARNING	Indicates a potentially hazardous situation, which, if not avoided, could result in death or serious injury.
	CAUTION	Indicates a potentially hazardous situation, which, if not avoided, may result in minor or moderate injury.
	CAUTION	(Without Safety Alert Symbol) Indicates a situation that may result in property damage.

FEATURES

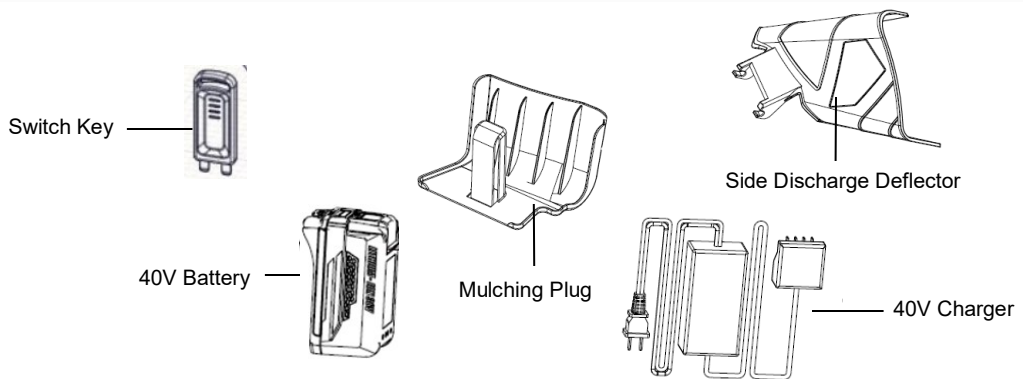
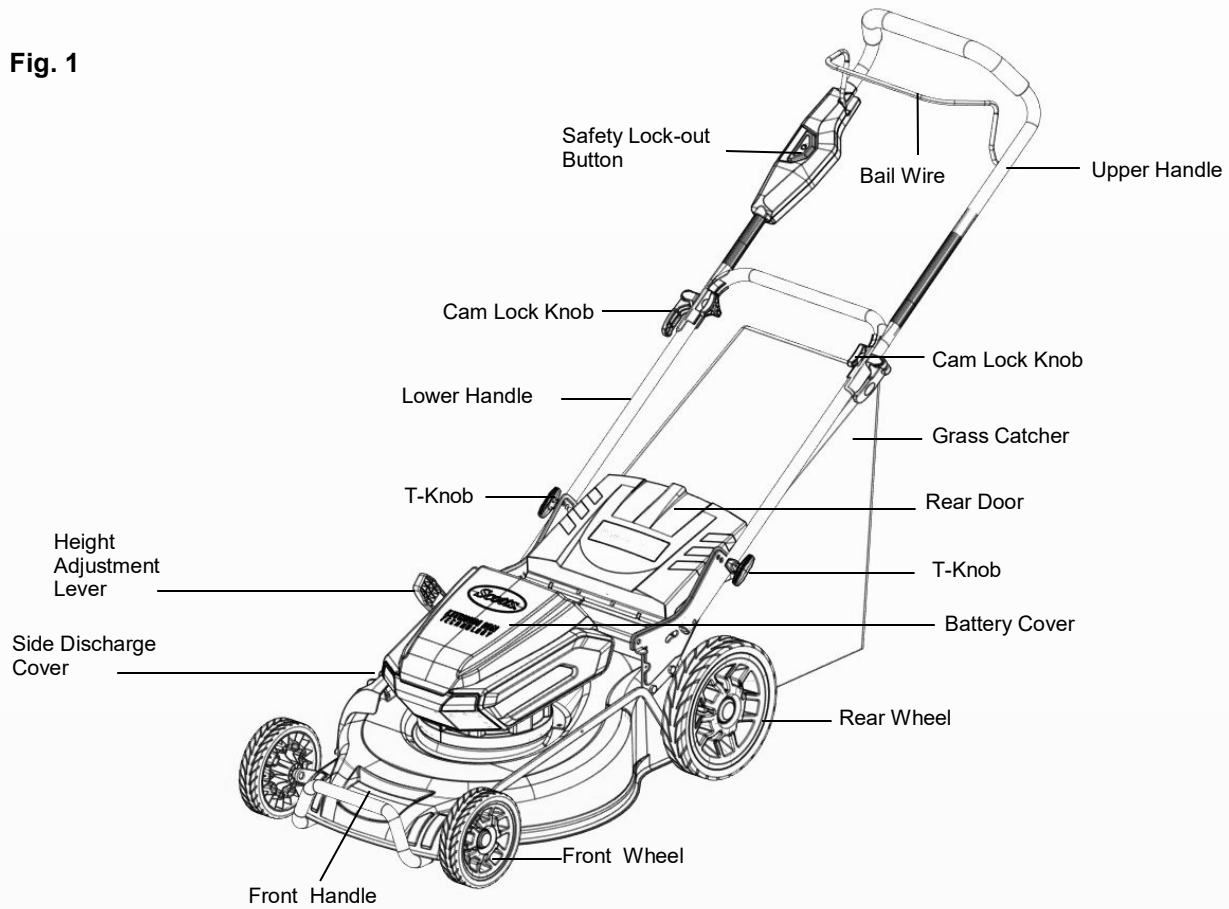
PRODUCT SPECIFICATIONS

61940S

*Battery.....40V 5.0Ah Lithium-ion Battery
 Input..... 40V DC only
 No-load Speed..... 2650 RPM
 Charge time.....170 minutes

Height Adjustments.....1-1/2 in. to 3-3/4 in.
 Wheel Size.....7 in. front, 10 in. rear
 Grass Catcher Capacity.....1.7 Bushel (60L)
 Weight.....55 lbs (25 kg)

Fig. 1



* This product contains a rechargeable lithium-ion battery. Battery must be recycled. Do not dispose of this product in fire. Battery inside this product may explode or leak. Before disposing of damaged or worn out battery packs contact your local waste disposal agency or the local Environmental Protection Agency for information and specific instructions. Take the battery to a local recycling and/or disposal center for disposal. Never throw the battery pack away in a standard receptacle or have it incinerated. See page 13 for more details.

FEATURES

KNOW YOUR LAWN MOWER

See figure 1

The safe use of this product requires an understanding of the information on the product and in this owner's manual as well as a knowledge of the project you are attempting. Before use of this product, familiarize yourself with all operating features and safety rules.

BATTERY METER

The battery meter measures the amount of charge remaining in the battery.

GRASS CATCHER

The grass catcher prevents grass clippings from being strewn across your lawn as you mow.

HEIGHT ADJUSTMENT LEVER

The height adjustment lever provides cutting height adjustments.

MOTOR/BLADE CONTROL ASSEMBLY

The motor/blade control, located on the upper handle of the mower, engages and disengages the motor and blade.

MULCHING PLUG

Your mower is equipped with a mulching plug that allows the blade to cut and recut the grass for finer clippings.

SWITCH KEY

The switch key must be inserted before the mower can be started.

SIDE DISCHARGE DEFLECTOR

Use the side discharge deflector on your mower when the grass is too high to mulch or when side discharging is preferred. The grass clippings produced when using the side discharge deflector are noticeably larger than those produced when using the mulching plug.

ASSEMBLY

UNPACKING

This product requires assembly.

- Carefully remove the product and any accessories from the box. Make sure that all items listed in the packing list are included.
- Inspect the product carefully to make sure no breakage or damage occurred during shipping.
- Do not discard the packing material until you have carefully inspected and satisfactorily operated the product.
- If any parts are damaged or missing, please call 1-800-618-7474 for assistance.

PACKING LIST

Description	Quantity
Lawn Mower	1
Switch Key	1
Mulching Plug	1
Side Discharge Deflector	1
Grass Catcher	1
Cam Lock Knob	2
40V 5.0Ah Battery	1
40V Charger	1
Owner's manual	1

WARNING:

If any parts are damaged or missing do not operate this product until the parts are replaced. Failure to heed this warning could result in serious personal injury.

WARNING:

Do not attempt to modify this product or create accessories not recommended for use with this product. Any such alteration or modification is misuse and could result in a hazardous condition leading to possible serious personal injury.

WARNING:

Do not insert switch key until assembly is complete. Failure to comply could result in accidental starting and possible serious injury.

DANGER:

To prevent accidental starting do not make any adjustments or installations with the switch key inserted or batteries installed.

WARNING:

Never operate the mower without the proper safety devices in place and working. Never operate the mower with damaged safety devices. Failure to heed this warning can result in serious personal injury.

ASSEMBLY

UNFOLDING AND ADJUSTING HANDLE ASSEMBLY

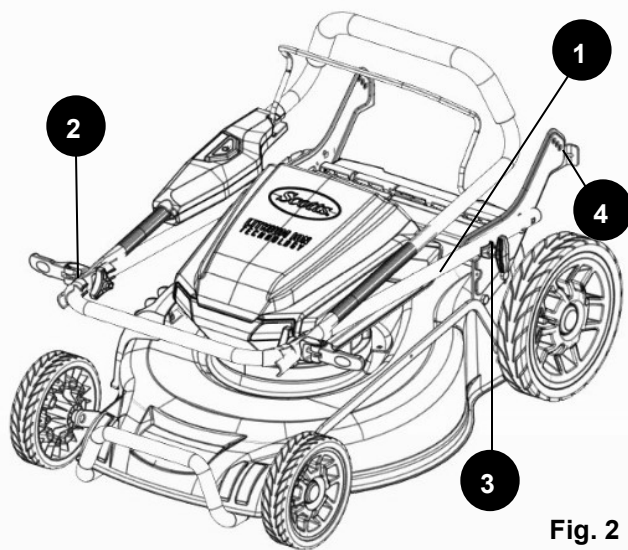
See figure 2

⚠ WARNING Folding or unfolding the handle improperly can damage the cables, causing an unsafe operating condition.

- Do not damage the cables when folding or unfolding the handle.
- If a cable is damaged, contact an Authorized Service Dealer.

To raise handle assembly:

- Pull up and back on the lower handle (1) until it is aligned with the hole position of the arm support and the mower housing.
- To secure the lower handle (1) in place, turn the T-knobs (3) 90 degree until the lock pin is engaged in one of the three locked stand-up positions (4).
- Open the upper cam locks (2).
- Pull up and back on the upper handle to raise it into operating position.
- To secure the upper handle in place, close the upper cam locks (2).

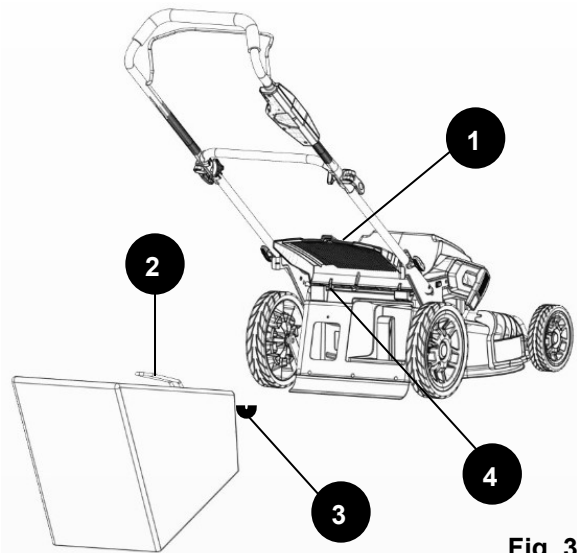


NOTE: If the upper handle is loose or separated from the lower handle, tighten the knobs on the upper handle locks by turning them clockwise.

INSTALLING THE GRASS CATCHER BAG (For Rear Bagging Operation)

See figure 3

- Lift the rear discharge door (1).
- Lift the grass catcher by its handle (2) and place under the rear discharge door so that the hooks (3) on the grass catcher are seated on the door rod (4).
- Release the rear discharge door. When installed correctly, the hooks on the grass catcher will extend through the openings on the rear discharge door.



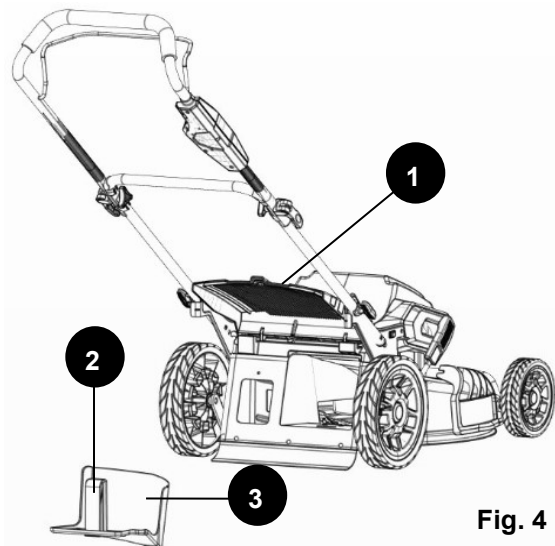
NOTE: When using the grass catcher, do not install either the side discharge deflector or the mulching plug.

REMOVING/INSTALLING THE MULCHING PLUG (For Mulching Operation)

See figure 4

The mulching plug must be removed in order to install the grass catcher.

- To remove the mulching plug, lift the rear discharge door (1).
- Grasp the handle (2) of the mulching plug. Lift and pull the mulching plug out using the handle.
- The mulching plug (3) is inserted at an angle, so it requires some force to remove it.



The mulching plug must be re-installed when the grass catcher is removed.

- To install the mulching plug, lift the rear discharge door (1).
- Grasp the handle (2) of the mulching plug. Lift and insert the mulching plug in at an angle using the handle.

ASSEMBLY

NOTE: When mulching, do not install either the side discharge deflector or the grass catcher bag.

INSTALLING SIDE DISCHARGE CHUTE (For Side Discharging Operation)

See figure 5

- Lift the side discharge cover (1).
- Align the grooves (2) on the side discharge deflector (3) with the pins (4) on the underside of the discharge cover (1).
- Lower the discharge chute until the hooks on the mower deck are secured in the openings in the discharge chute.
- Release the side discharge cover.

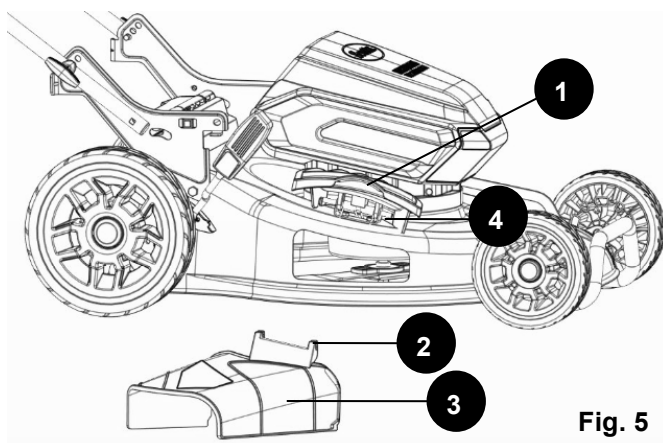


Fig. 5

NOTE: When using side discharge, do not install the grass catcher. Ensure the mulch plug is installed.

INSTALLING/REMOVING BATTERY PACK

See figure 6

To Install Battery Pack

- Lift and hold up the battery cover (1).
- Align the battery (2) with the mower's battery port.
- Make sure the battery release button (3) snaps in place and that battery is fully seated and secure in the mower before beginning operation.
- If the machine is not going to be used immediately, remove the battery.

To Remove Battery Pack

- Release the bail lever to stop the mower.
- Press the battery release button (3) on the mower. Open the battery cover.
- Remove battery from the mower.

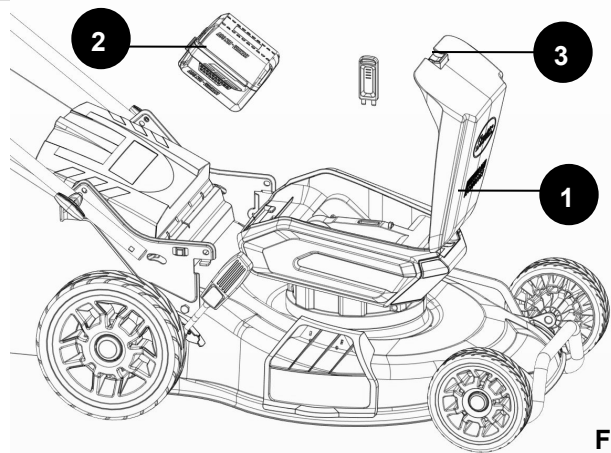


Fig. 6

This product will accept Scotts 40V lithium-ion battery packs only.

For complete charging instructions, refer to the Owner's manuals for your battery pack and charger models.

⚠ WARNING: Always remove battery pack from your tool when you are assembling parts, making adjustments, cleaning, carrying, transporting or when not in use. Removing battery pack will prevent accidental starting that could cause serious personal injury.

NOTE: To avoid serious personal injury, always remove the battery pack and keep hands clear of the trigger release button when carrying or transporting the tool.

⚠ WARNING: Make sure the latch on the tool snaps in place and the battery pack is fully seated and secure in the battery port before beginning operation. Failure to securely seat the battery pack could cause the battery pack to fall out, resulting in serious personal injury.

SWITCH KEY

In order to prevent accidental start-up or unauthorized use of your cordless mower, a removable switch key has been incorporated into the design of your mower. The mower will be completely disabled when the switch key has been removed from the mower.

⚠ WARNING: The cord on the switch key is used for storage; keep it out of the reach of children. DO NOT tether the switch key to mower.

⚠ DANGER: Rotating blades can cause serious injury. To prevent serious injury, remove the switch key when the mower is unattended, or when adjusting, cleaning, servicing, transporting, lifting, or storing the mower.

OPERATION

WARNING:

Do not allow familiarity with this type of product to make you careless. Remember that a careless fraction of a second is sufficient to inflict serious injury.

WARNING:

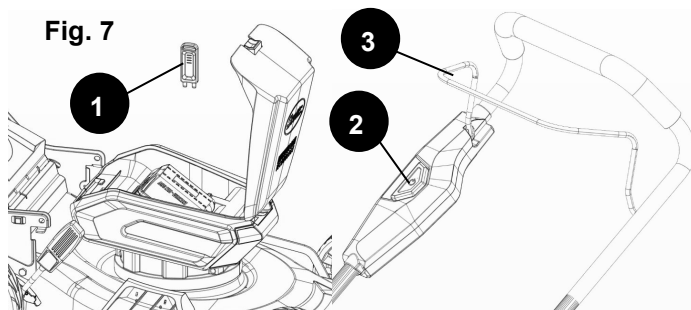
Always wear safety goggles or safety glasses with side shields when operating this product. Failure to do so could result in objects being thrown into your eyes, resulting in possible serious injury.

STARTING/STOPPING THE MOWER

See figure 7

To start the mower:

- Raise the battery cover.
- Install battery pack.
- Insert the switch key into (1) the slot beside the battery port.
- Lower the battery cover.
- Press and hold the safety lock-out button (2).
- While continuing to hold the start button, pull the bail wire (3) toward the handle. Once the motor starts, release the button.



To stop the mower:

- Release the bail wire.

SOFT-START

This LI-ION mower is equipped with a “soft-start” feature. When initially starting up, the mower will take approx. 3 seconds to get up to full speed. If the mower does not initially start: Remove the battery and check under the mower deck to ensure there is nothing obstructing the blade and that the blade can spin freely by hand. Even a small amount of grass on start up will prevent the “soft-start” from turning the mower on.

CAUTION: Do not attempt to override the operation of the safety lock-out button or bail lever.

WARNING:

Do not use any attachments or accessories not recommended by the manufacturer of this product. The use of attachments or accessories not recommended can result in serious personal injury.

APPLICATIONS:

You may use this product for the purpose listed below:

- Mowing your lawn

WARNING: The operation of any mower can result in foreign objects being thrown into the eyes, which can cause severe eye damage. Always wear safety glasses while operating the mower and while performing any adjustments or repairs.

WARNING: Ensure that other people and pets remain at least 100 feet (30 m) away when the mower is in use.

INSPECT THE CUTTING AREA

Remove all stones, sticks, wire, bones, and other debris that might be thrown by the rotating blades.

SETTING BLADE HEIGHT

See figure 8

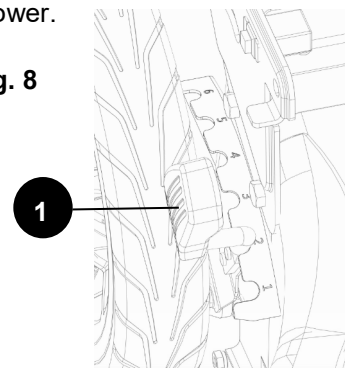
When shipped, the wheels on the mower are set to a low-cutting position. Before using the mower for the first time, adjust the cutting position to the height best suited for your lawn. The average lawn should be between 1-1/2 in. to 2 in. during the cool months and between 2 in. to 3 1/4 in. during the hot months.

The mower can be set to 6 cutting heights between 1.5" (38mm) and 3.75" (95mm). Choose the proper cutting height according to the types and conditions of the grass.

To adjust the blade height:

- To raise the blade height, grasp the height adjustment lever (1) and move it toward the back of the mower.
- To lower the blade height, grasp the height adjustment lever (1) and move it toward the front of the mower.

Fig. 8



OPERATION

MOWING TIPS

- Make sure the lawn is clear of stones, sticks, wires and other objects that could damage the lawn mower blades or motor. Such objects could be accidentally thrown by the mower in any direction and cause serious personal injury to the operator and others.
- For a healthy lawn, always cut off one-third or less of the total length of the grass
- When cutting heavy grass, reduce walking speed to allow for more effective cutting and a proper discharge of the clippings.
- Do not cut wet grass. It will stick to the underside of the deck and prevent proper mulching of grass clippings.
- New or thick grass may require a narrower cut.
- Clean the underside of the mower deck after each use to remove grass clippings, leaves, dirt and any other accumulated debris.

SLOPE OPERATION

See figure 9

⚠ WARNING: Slopes are a major factor related to slip and fall accidents that can result in severe injury. Operation on slopes requires extra caution. If you feel uneasy on a slope, do not mow it. For your safety, do not attempt to mow slopes greater than 15 degrees.

- Mow across the face of slopes, not up and down. Exercise extreme caution when changing direction on slopes.
- Watch for holes, ruts, rocks, hidden objects, or bumps which can cause you to slip or trip. Tall grass can hide obstacles. Remove all objects such as rocks, tree limbs, etc., which could be tripped over or thrown by the blade.
- Always be sure of your footing. A slip and fall can cause serious personal injury. If you feel you are losing your balance, release the switch control bail wire immediately.
- Do not mow near drop-offs, ditches, or embankments; you could lose your footing or balance.

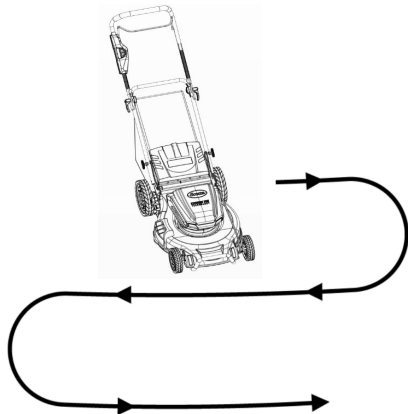


Fig. 9

MULCHING TIPS

NOTE: Inspect the area where the mower is to be used, and remove all stones, sticks, wire, bones, and other debris that might be thrown by the rotating blade.

- Release the bail lever to turn the mower OFF when crossing any graveled area (stones can be thrown by the blade).
- Set mower to the highest cutting height when mowing on uneven ground or in tall weeds.
- For effective mulching, do not cut wet grass, because it tends to stick to the underside of the deck, preventing proper mulching of grass clippings. New or thick grass may require a narrower cut. The ground speed should be adjusted to the condition of the lawn. If mowing has been delayed and the grass has been allowed to grow longer than 4" (10cm), mow the lawn twice in order to reduce the grass height to a maximum of 3 1/4" (8.3cm).
- Walk at a steady pace. Overlap the cutting rows. Do not let the grass get too tall. If the grass gets too long, start at the highest cutting position and work down to the desired cutting height.

⚠ WARNING: If you strike a foreign object, stop the motor and remove the battery. Thoroughly inspect the mower for any damage. Repair any damage before operating the mower. Excessive vibration of the mower during operation is an indication of damage. Thoroughly inspect the mower and repair any damage before operating the mower.

EMPTYING THE GRASS CATCHER

See figure 10

- Stop mower and allow blades to completely stop.
- Open battery cover.
- Remove switch key and battery pack.
- Lift the rear discharge door.
- Lift the grass catcher by its handle to remove from mower.
- Empty grass clippings.
- Lift the rear discharge door and reinstall the grass catcher as described earlier in this manual.
- Reinstall switch key and battery pack when you are ready to mow.



Fig. 10

CHARGING THE BATTERY PACK

Charge the battery pack only with the charger provided.

Allow at least 70 minutes of charge time for 2.0Ah battery, or 170 minutes of charge time for 5Ah battery before initial use of the mower.

Make sure the power supply is normal household voltage, 120 volts, 60Hz, AC only.

The battery charger should be operated in temperatures between 39 and 104 degrees F (4 °C and 40 °C).

The battery should be charged in a cool, dry place. 2 to 3 initial charging/discharging cycles may be required to achieve maximum run time/capacity.

DO NOT attempt to open the charger or the unit. There are no customer serviceable parts inside. Call customer service helpline at 1-800-618-7474 for assistance.

DO NOT incinerate battery packs even if they are severely damaged or completely worn out. They can explode in a fire causing injury.

DO NOT charge appliance in rain, or in wet locations.

Use the battery charger indoors only.

Disconnect charger from the power supply when not in use to prevent damage to the charger during a power surge.

When fully charged, the battery can be safely stored in temperatures down to -4 degrees F (-20 degrees C) for a period of up to four weeks, before requiring charging. Fully charge battery pack every 90 days.

If over a period of time the battery pack quickly runs down after a full 70 or 170 minutes charging period, a replacement battery pack is needed.

To prevent permanent damage to the battery, never store in a discharged condition.

WINTER STORAGE - Fully recharge before storage and then again every 90 days.

Since the battery will not develop a memory, it does not have to be fully discharged before recharging.

A small leakage of liquid from the battery cells may occur under extreme usage, charging or temperature conditions. This does not indicate a failure. However, if the outer seal is broken and this leakage gets on your skin.

- Wash quickly with soap and water.
- Neutralize with a mild acid such as lemon juice or vinegar.
- If the battery liquid gets in your eyes, flush them with clean water for a minimum of 10 minutes and seek immediate medical attention.

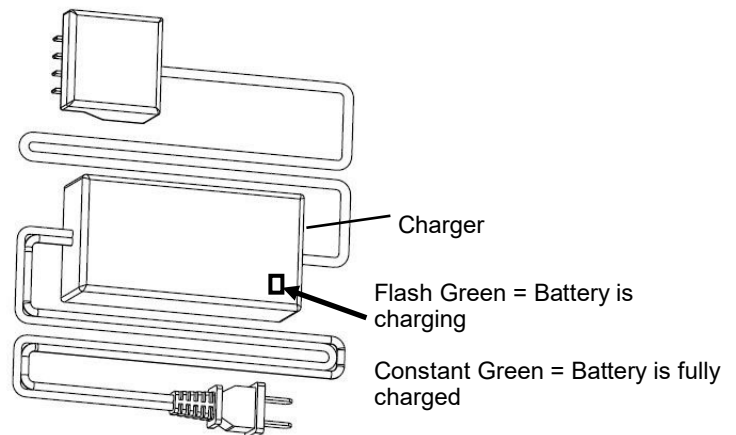
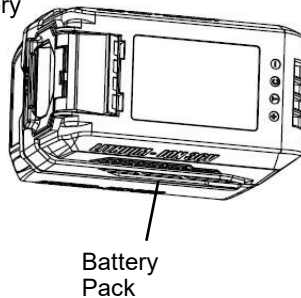
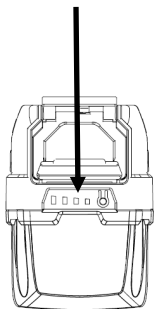
TO CHARGE - SEE CHARGER MANUAL FOR COMPLETE INSTRUCTIONS

One green light means – ¼ Full

Two green lights mean – ½ Full

Three green lights mean -3/4 Full

Four green lights mean – Full Battery



BATTERY DISPOSAL

Remove the battery pack from the tool, cover the terminals with heavy duty adhesive tape. Do not attempt to destroy or disassemble battery pack or remove any components. This product contains lithium-ion batteries which must be recycled or disposed of properly. Local, state or federal laws may prohibit disposal of these batteries in the municipal solid waste or rural trash pick up systems.



The RBRC seal on the Li-ion battery pack indicates that the cost to recycle the battery pack at the end of its useful life has already been paid by The Great States Corporation/American Lawn Mower Company. It is illegal to place spent Li-ion batteries in the local municipal solid waste or in the trash. RBRC in cooperation with The Great States Corporation/American Lawn Mower Company has provided an environmentally friendly and easy way to recycle spent Li-ion batteries. Just contact your local recycling center or call 1.800.8.BATTERY for information on where to drop off the spent battery.

MAINTENANCE

WARNING:

When servicing, use only identical replacement parts. Use of any other parts may create a hazard or cause product damage.

WARNING:

Always wear safety goggles or safety glasses with side shields during power tool operation or when blowing dust. If environment is dusty, also wear a dust mask.

GENERAL MAINTENANCE

Avoid using solvents when cleaning plastic parts. Most plastics are susceptible to damage from various types of commercial solvents and may be damaged by their use. Use clean cloths to remove dirt, dust, oil, grease, etc.

WARNING:

Do not at any time let brake fluids, gasoline, petroleum-based products, penetrating oils, etc., come in contact with plastic parts. Chemicals can damage, weaken, or destroy plastic which may result in serious personal injury.

Periodically check all nuts and bolts for proper tightness to ensure safe operation of the mower.

Remove any buildup of grass and leaves on or around the motor cover. Wipe the mower clean with a dry cloth occasionally. **Do not use water.**

LUBRICATION

All of the bearings in this product are lubricated with a sufficient amount of high grade lubricant for the life of the unit under normal operating conditions. Therefore, no further bearing lubrication is required.

At the beginning and end of each mowing season:

- Lubricate the springs on the rear discharge door with light oil.
- Lubricate the height adjustment lever and related hardware with light oil.
- Remove the wheels and lubricate the surface of the axle bolt and the inner surface of the wheel with light oil.
- Remove the blade and blade hub assembly and lubricate the motor shaft with light oil or engine oil. **See Replacing the Cutting Blade** for instructions on removing the blade.

WARNING:

Always protect hands by wearing heavy gloves and/or wrapping the cutting edges of the blade with rags and other material when performing blade maintenance. Failure to heed this warning could result in serious personal injury.

DANGER:

Before performing any maintenance, make sure the battery is removed from the battery compartment and the switch key is removed. Failure to heed this warning could result in serious personal injury.

REPLACING THE CUTTING BLADE

See figures 11

NOTES: Only use identical replacement blades.

- Stop the motor and remove the switch key. Allow the blade to come to a complete stop. Remove battery from the battery compartment.
- Turn the mower on its side
- Wedge a block of wood between the blade and mower deck to prevent the blade from turning.
- Loosen the blade nut (1) using a wrench or socket (not provided). Turn the nut **COUNTERCLOCK WISE** to loosen it.
- Remove the blade nut (1), spacer (2), blade insulator (3), and blade (4).
- To re-install the blade, position the blade with the cutting edges toward the ground. Replace the blade insulator and spacer, then thread the blade nut on the shaft and finger tighten.

NOTE: Make certain all parts are replaced in the exact order in which they were removed. When installing the cutting blade, verify that it is installed with the curved ends pointing toward the mower deck, and not toward the ground.

- Torque the blade nut down **CLOCKWISE** using a torque wrench (not provided) to ensure the bolt is properly tightened. The recommended torque for the blade nut is 350-400 in. lbs.

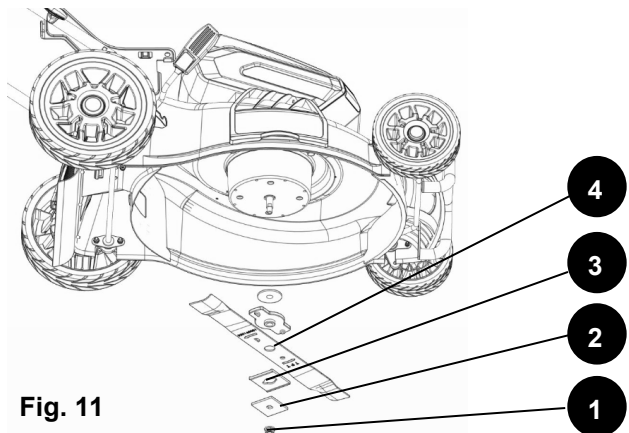


Fig. 11

MAINTENANCE

SHARPENING THE BLADE

See Figure 12

For best mowing performance, the mower blade must be kept sharp. A dull blade does not cut grass evenly and overloads the motor. Under normal circumstances, sharpening the blade twice during the mowing season is usually sufficient. However, if your lawn has sandy soil, more frequent sharpening's may be required.

- Following the instructions in the **Replacing the Cutting Blade** section, remove the mower blade. **DO NOT** attempt to sharpen the blade while it is attached to the mower.

⚠ WARNING:

When removing, inspect the blade carefully. If blade is bent or damaged, replace immediately with a new blade. Failure to replace a bent or damaged blade could cause an accident resulting in possible serious injury.

- Using a fine tooth file or stone, sharpen cutting edges on both ends of the blade, removing equal amounts of material from both ends.

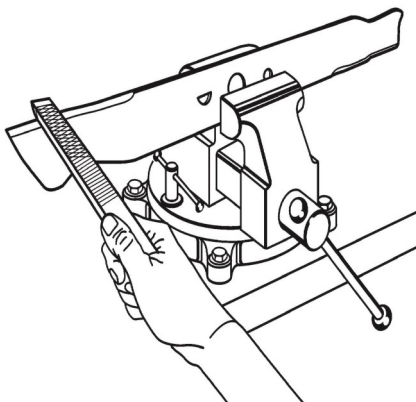


Fig. 12

BALANCING THE BLADE

See Figure 13

When sharpening, care should be taken to keep the blade balanced. An unbalanced blade will cause excessive vibration when the mower is running. This vibration will eventually cause damage to the mower, especially the motor.

To check blade balance:

- Clamp a screwdriver horizontally in a vise as shown.

NOTE: If a vise is not available, a straight nail can also be used.

- Place the center hole of blade on the screwdriver (or nail) shank.

- If blade is balanced, it will remain in a horizontal position. If either end of the blade drops downward, sharpen the heavy side until the blade is balanced.

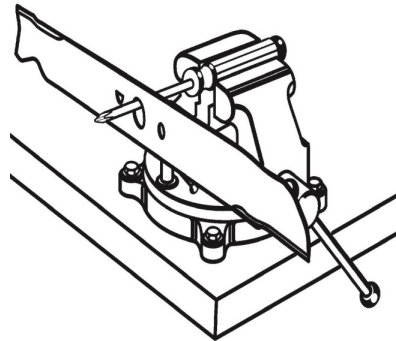


Fig. 13

REPLACING WHEELS

See Figure 14

To Replace a wheel:

- Stop the motor and remove the switch key. Remove battery from the battery compartment.
- Turn the mower on its side.
- Using a flat blade screwdriver, pry off the hubcap (1).
- Remove the self-locking nut (2) from the wheel axle (3), then remove the wheel (4).
- Replace with new wheel and install new self-locking nut (2) securely.
- Replace hubcap (1).

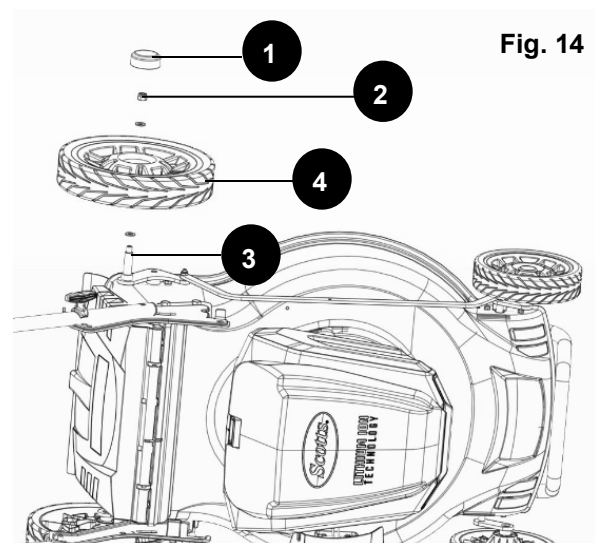


Fig. 14

BATTERY MAINTENANCE

It is recommended to charge the mower every 3 months for optimum performance when not in use. If the battery has been in storage for a long time without recharging, it will be in a low charge state.

MAINTENANCE

STORING THE MOWER

- Remove the switch key and battery, and store in a secure location out of the reach of children.
- Before storage, wipe any dirt or debris from the battery area.
- Turn mower on its side and clean grass clippings that have accumulated on the underside of the mower deck.
- Wipe the mower clean with a dry cloth.
- Check all nuts, bolts, knobs, screws, fasteners, etc., for tightness.
- Inspect moving parts for damage, breakage and wear. Have repairs made on any damaged or missing parts.
- Store mower indoors in a clean, dry place out of the reach of children.
- Do not store near corrosive materials such as fertilizer or rock salt.

To store the mower in a horizontal position:

See Figure 15

- Pull the T-Knobs (3) on the sides of the lower handles (1) and turn 90 degree.
- Gently pivot the lower handles (1) toward the front of the mower.
- Fully loosen the cam lock knobs (2) on the sides of the handle and fold the upper handle down, making sure not to bend or kink the power cord.

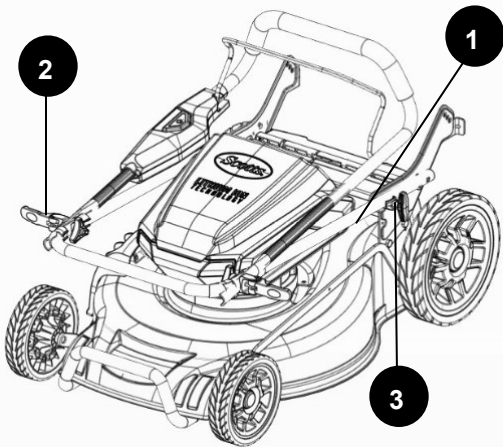


Fig. 15

To store the mower in a vertical position:

See Figure 15-16

- Remove the grass catcher.
- Pull the T-Knobs (3) out on the sides of the lower handles (1) and turn 90 degree.
- Gently pivot the lower handles (1) toward the front of the mower; turn the T-knobs (3) 90 degree back and continue to pivot the handle (1) until you hear and feel the lock pin engaged in the locked storage position.

- The upper handle can be stored either raised or lowered when storing in the vertical position.
- To lower the upper handle, fully loosen the cam lock knobs (2) on the sides of the handle and fold the upper handle down, making sure not to bend or kink the power cord.

NOTE: Make sure the pins on the handle adjustment knobs are fully seated in the locking holes before attempting to raise the mower to the standing position.

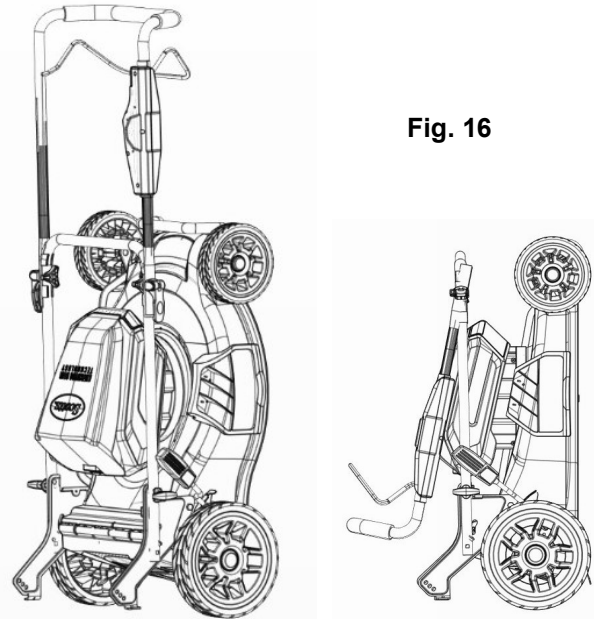


Fig. 16

▲ WARNING:

USE EXTREME CAUTION WHEN FOLDING THE HANDLE. THE CORD CAN BE DAMAGED IF PINCHED BETWEEN HANDLE SECTIONS CREATING A SAFETY HAZARD.

▲ WARNING:

WHEN THE HANDLE IS FOLDED, DO NOT ATTEMPT TO START THE MOWER. WHEN STORING THE MOWER IN THE VERTICAL POSITION, POSITION THE MOWER SO THAT THE BLADE IS FACING A WALL. FAILURE TO HEED THESE WARNINGS CAN LEAD TO SERIOUS PERSONAL INJURY.

▲ WARNING:

IF THE MOWER TIPS OVER FROM THE UPRIGHT POSITION, MOWER DAMAGE OR PERSONAL INJURY MAY RESULT. ALWAYS KEEP THE MOWER STABLE AND OUT OF THE REACH OF CHILDREN WHEN IT IS IN THE UPRIGHT POSITION. IF POSSIBLE, LAY IT FLAT FOR STORAGE.

TROUBLESHOOTING

Problem	Possible cause	Solution
The mower fails to start	<p>The safety key is not inserted in the slot.</p> <p>The battery pack is depleted.</p> <p>The battery pack is not attached to the mower.</p> <p>The battery pack is on the wrong side.</p> <p>Battery or mower circuitry is too hot.</p> <p>The handle is not set at one of the operating positions.</p> <p>Mower deck is clogged with grass and debris.</p>	<p>Insert the safety key.</p> <p>Charge the battery pack.</p> <p>Attach the battery pack to the mower.</p> <p>Move the battery pack to the correct side of the battery compartment.</p> <p>Allow the battery pack or mower to cool down.</p> <p>Adjust the handle to the one of the operating positions.</p> <p>Clean the mower deck and make certain that the blade has freedom of movement.</p>
The mower cuts unevenly.	<p>Dull blade.</p> <p>The cutting height is not set properly.</p> <p>The blade is assembled incorrectly.</p>	<p>Sharpen or replace blade.</p> <p>Raise the blade to a higher setting.</p> <p>Reassemble the blade, following the section "Replacing the Cutting Blade" in this manual.</p>
Mower stops while mowing.	<p>The battery pack is depleted.</p> <p>Mower is in overload condition.</p> <p>Mower deck is clogged with grass and debris.</p> <p>Battery or mower circuitry is too hot.</p>	<p>Charge the battery pack.</p> <p>Raise cutting height or slow down the mowing.</p> <p>Unclog mower deck. Raise cutting height, or cut a narrow swath.</p> <p>Allow the battery pack or mower to cool down.</p>
Mower does not mulch properly.	<p>Wet grass clippings are sticking to the underside of the deck.</p> <p>Mulching plug is missing.</p> <p>The mower is set to cut too much grass.</p>	<p>Wait until the grass dries before mowing.</p> <p>Install the mulching plug.</p> <p>Raise the blade to a higher setting.</p>
Excessive vibration	<p>Cutting blade is loose.</p> <p>Cutting blade is unbalanced.</p> <p>Bent cutting blade.</p> <p>Bent motor shaft.</p>	<p>Tighten the blade bolt.</p> <p>Balance the blade following the instructions.</p> <p>Replace the blade.</p> <p>Contact the service center at 1-800-618-7474.</p>
Handle not in position	<p>Carriage bolts not seated properly.</p> <p>Handle knobs not tightened.</p>	<p>Adjust the height of the handle and make sure the carriage bolts are seated properly.</p> <p>Tighten handle knobs.</p>

PARTS AND SERVICE

For parts or service, please call 1-800-618-7474 or visit us online at scotts.americanlawnmower.com. Be sure to provide all relevant information when you call or visit.

REPAIR PARTS (KITS/ ITEMS)

The model number of this tool is found on a plate or label attached to the housing. Please record the serial number in the space provided below.

MODEL NUMBER 61940S

SERIAL NUMBER _____

Always mention the model number when ordering kits/items for this tool.

No.	Kit/ Item Number	Description
1	LM62-HDW-1	Handle Hardware Kit
2	LM62-FWK-2	Front Wheel Kit
3	LM62-RWK-2	Rear Wheel Kit
4	LM62-HA-1	Wheel Height Adjuster Kit
5	LM19-BK-1	Mower Blade Kit
6	LM62-RDK-1	Rear Door Kit
7	LM62-SDD-1	Side Discharge Flap
8	LM62-SDC-1	Side Discharge Chute
9	LM62-MP-1	Mulching Plug Kit
10	LM62-KEY-1	Switch Key Kit
11	LM62-GC-1	Grass Catcher Kit
12	LM62-RFK-1	Rear flap Kit
13	BL85040	40V 5.0Ah Battery
14	CHL84000	40V Charger

CALL US FIRST !!

Call us first with questions about operating or maintaining your product at 1.800.618.7474 between 8:00 a.m. – 5:00 p.m. Eastern Standard Time, or get assistance on scotts.americanlawnmower.com.



OWNER'S MANUAL

19 in. - 40 VOLT LITHIUM-ION CORDLESS MOWER

5.0Ah Lithium-ion Battery

Copyright All Rights Reserved.

Model 61940S

WARRANTY POLICY

Scotts Warranty policy

- **4 Year limited warranty** on all Scotts 40V lithium ion power tools from date of purchase when used for personal, household, or family use.
- **2 Year limited warranty** on all Scotts 40V lithium ion batteries and chargers from date of purchase when used for personal, household, or family use.

The Great States Corp. (GSC) warrants to the original owner that this Scotts product and service part is free from defects in materials and workmanship and agrees to repair or replace any defective product or part for the warranty period as stated above.

- Warranty voided if used for commercial or industrial purposes or any other improper use as determined by GSC.
- Warranty does not include repairs necessary due to operator's abuse or negligence (including overloading the product beyond capacity or immersion in water), or the failure to assemble, operate, maintain or store the product according to the instructions in the owner's manual.
- This warranty does not cover
 - ◇ Wear items, including but not limited to - drive belts & gears, tines, cutting blades, mower blades, saw chains, mulching blades, blower fans, spool covers, trimmer line, blower and vacuum tubes, guide bars, high pressure hoses, wheels, handles, augers, worn bags, power cables, and other items subject to wear over time.
 - ◇ Wear on batteries, including but not limited to – drops, wear and breakage on charger, exposure to extreme temperature swings (hot or cold), battery left on charger too long, battery left uncharged for too long, and misuse or abuse of the battery.
- This warranty does not cover damage caused by cold, heat, rain, excessive humidity or other environmental extremes.
- This warranty does not cover normal deterioration of the exterior finish or normal wear and tear on the products including, but not limited to scratches, cracks, dents, or damage caused by outside chemicals.
- This warranty is not transferable and only applies to new products sold directly from an authorized retailer. This warranty does not apply to any product, new or used, purchased through unauthorized third-party channels. For information on authorized dealers, contact our customer support hotline at 1-800-618-7474 (Mon-Fri 8am-5pm Est)
- Any incidental, indirect or consequential loss, damage, or expense that may result from any defect or malfunction of the products is not covered by the warranty.
- The warranty does not include installation, assembly or normal adjustments explained in the owner's manual. The expense of delivering the product to the vendor and the expense of returning the product or replacement parts to the owner is not covered by the warranty.

Additional Warranty Limitations

Some states do not allow the exclusion or limitation on how long an implied warranty lasts, so the above limitation may not apply to you. Products sold damaged or incomplete, sold —as is, or sold as reconditioned are not covered under the warranty.

Damage or liability caused by shipping, improper handling, improper assembly, incorrect voltage, improper wiring, improper maintenance, improper modification or the use of accessories and/or attachments not specifically recommended is not covered by this warranty.

Proof of purchase, original dated sales receipt, must accompany all warranty claims.

For claims go to scotts.americanlawnmower.com or call our customer support hotline from 8am-5pm EST, Mon-Fri at 1-800-618-7474



American Lawn Mower Company
The Great States Corporation 7444
Shadeland Station Way
Indianapolis, IN 46256, USA
Phone 1-800-618-7474
scotts.americanlawnmower.com

In a continued commitment to improve quality, the Manufacturer reserves the right to make component changes or design changes when necessary.

Rev. 12/08/18



MANUAL DEL OPERARIO

48,3 cm (19 pulg.) - 40 VOLTIOS CORTADORA SIN CABLE CON BATERÍA DE IONES DE LITIO

Batería de litio 5,0 Ah

Copyright. Todos los derechos reservados.

Modelo 61940S

DEBE CARGAR LA BATERÍA ANTES DE UTILIZARLA POR PRIMERA VEZ. ES POSIBLE QUE SE NECESITEN DE DOS A TRES CICLOS DE CARGA/DESCARGA INICIALES PARA OBTENER LA MÁXIMA CAPACIDAD O TIEMPO DE FUNCIONAMIENTO.



Cargador Cumple con CA
está incluido (Modelo No.
CHL84000)

Su cortadora fue diseñada y fabricada de acuerdo con nuestros altos estándares de confiabilidad, facilidad de operación y seguridad para el operario. Si se la trata con cuidado, le otorgará años de óptimo rendimiento y resistencia.



ADVERTENCIA: Para reducir el riesgo de sufrir alguna lesión, el usuario debe leer y comprender el manual del operario antes de usar este producto.

Muchas gracias por su compra.

NO DEVUELVA ESTE PRODUCTO A LA TIENDA. ¿TIENE PREGUNTAS SOBRE FUNCIONAMIENTO, MONTAJE, PIEZAS O SERVICIO TÉCNICO? IR A SCOTTS.AMERICANLAWNMOWER.COM O LLAME AL 1-800-618-7474 ENTRE LAS 8:00 AM Y LAS 5:00 PM, HORA DEL ESTE DE LOS ESTADOS UNIDOS.

GUARDE ESTE MANUAL PARA CONSULTAS FUTURAS

ÍNDICE

- Introducción 2
- Instrucciones de seguridad importantes 3-5
- Símbolos 6
- Características 7-8
- Montaje 8-10
- Funcionamiento 11-12
- Carga del paquete de baterías 13
- Mantenimiento 14-16
- Solución de problemas 17
- Piezas y servicio 18
- Notas 19
- Garantía Contraportada

INTRODUCCIÓN

Este producto presenta muchas características para que su uso sea placentero y agradable. La seguridad, el rendimiento y la confiabilidad han sido la máxima prioridad durante el diseño de este producto, a fin de que resulte fácil de mantener y operar.

Consulte el rango de temperatura ambiente recomendado para el uso y almacenamiento de electrodomésticos y baterías, y para cargar el sistema durante la carga.

	Rango de temperatura ambiente recomendado
Operación del cortacésped	5 °C - 40 °C (41 °F - 104 °F)
Almacenamiento de cortacésped	0 °C - 38 °C (32 °F - 100 °F)
Batería cargando	4 °C - 40 °C (39 °F - 104 °F)
Operación del cargador	4 °C - 40 °C (39 °F - 104 °F)
Almacenamiento de batería	0 °C - 40 °C (32 °F - 104 °F) durante 3 meses antes de la carga se requiere.
Descarga de la batería	0 °C - 40 °C (32 °F - 104 °F)



ADVERTENCIA:

Para evitar lesiones serias, no intente usar este producto hasta después de haber leído atentamente y comprendido en su totalidad el manual del operario. Si no comprende las advertencias e instrucciones del manual, no use el producto. Comuníquese con el centro de atención al cliente de Scotts para recibir asistencia.



ADVERTENCIA:



El uso de cualquier herramienta eléctrica puede hacer que objetos extraños sean arrojados hacia sus ojos, lo que provocaría una lesión seria. Antes de empezar a operar la herramienta, siempre colóquese gafas de seguridad con protectores laterales y, si fuera necesario, un protector completo para la cara. Le recomendamos usar una máscara de visión amplia encima de las gafas de seguridad estándar con protectores laterales. Siempre use protección para los ojos que cumpla con la norma ANSI Z87.1.

GUARDE ESTAS INSTRUCCIONES

INSTRUCCIONES DE SEGURIDAD IMPORTANTES



ADVERTENCIA:

LEA Y COMPRENDA TODAS LAS INSTRUCCIONES

Si no se respetan todas las instrucciones enumeradas más abajo y en la máquina, se podrían provocar incendios, descargas eléctricas o lesiones corporales serias.

INSTRUCCIONES DE SEGURIDAD PARA SEGADORAS MANUALES

IMPORTANTE - Prácticas de seguridad para segadoras manuales

Esta máquina puede amputar manos y pies, además de lanzar objetos. Si no se cumple con las siguientes instrucciones de seguridad, se podrían provocar lesiones graves e incluso la muerte.

I. INFORMACIÓN GENERAL

1. Lea, comprenda y siga las instrucciones y advertencias en este manual y en la máquina, el motor y los accesorios.
2. Solo permita que la máquina sea puesta en funcionamiento por operadores que sean responsables y estén capacitados, familiarizados y sean físicamente capaces de hacerlo.
3. Las personas que se encuentran en el lugar deben guardar distancia.
4. No opere la máquina si está bajo la influencia de drogas o alcohol.

II. PREPARACIÓN ANTES DEL FUNCIONAMIENTO

1. Quite del área operativa cualquier objeto que pueda ser expulsado por la máquina o que pueda interferir con su funcionamiento.
2. Evite que haya personas en el área operativa, especialmente niños pequeños. Detenga la máquina y los accesorios si alguien ingresa al área.
3. No opere la máquina si el recolector de pasto, el protector posterior u otros dispositivos de protección no están colocados y funcionan correctamente. Periódicamente, revise si hay signos de desgaste o deterioro y reemplace según sea necesario.
4. Use un equipo de protección personal adecuado, como gafas de seguridad, protección auditiva y calzado.

III. FUNCIONAMIENTO

1. Solo utilice el producto con luz natural o buena luz artificial.
2. Evite pozos, surcos, montículos, rocas u otros peligros que pueden no estar a la vista. El terreno desigual puede volcar la máquina, o hacer que el operador pierda el equilibrio o la base de apoyo.
3. No coloque las manos o los pies cerca de las partes giratorias o debajo de la máquina. Manténgase alejado de la abertura de descarga en todo momento.
4. No dirija el material descargado hacia las personas. Evite descargar material frente a una pared u obstrucción. Es posible que el material rebote contra el operador. Detenga la cuchilla cuando atraviese superficies de grava.
5. Nunca deje la máquina en marcha sin vigilancia. Colóquela siempre sobre una superficie pareja, desenganche el accesorio, coloque el freno de mano y detenga el motor.
6. No corte el césped marcha atrás a menos que sea absolutamente necesario. Mire siempre hacia abajo y hacia atrás antes de retroceder y mientras lo hace.

IV. ESPECÍFICO PARA NIÑOS

1. Pueden ocurrir accidentes trágicos si el usuario no advierte la presencia de niños. Los niños suelen sentirse atraídos por la máquina y la actividad de cortar el césped. Nunca suponga que los niños se quedarán en el sitio donde los vio por última vez.

2. Manténgalos alejados del área operativa y bajo el cuidado atento de otro adulto responsable.

V. ESPECÍFICO PARA PENDIENTES

Las pendientes son uno de los factores más importantes relacionados con los accidentes. El uso en pendientes requiere precaución extra.

1. En las pendientes, desplácese en la dirección recomendada por el fabricante. Tenga cuidado al operar la máquina cerca de desechos.
2. Evite cortar césped mojado. (Si no tiene una base de apoyo firme, podría resbalarse y caerse).
3. No opere la máquina en condiciones donde la tracción, la dirección o la estabilidad estén en peligro. Los neumáticos podrían deslizarse incluso si las ruedas están bloqueadas.
4. Siempre mantenga la máquina engranada al descender por las pendientes. No la deslice cuesta abajo.
5. Evite detenerse y arrancar en pendientes. Evite realizar cambios abruptos en velocidad o dirección. Cambie de dirección lenta y gradualmente.
6. Tenga extremo cuidado al poner la máquina en funcionamiento con recolector de pasto u otro accesorio. Pueden afectar la estabilidad de la máquina.

VI. TRANSPORTE

1. Al transportar la máquina, use rampas de ancho total para cargarla y descargarla.

VII. SERVICIO TÉCNICO

1. Mantenga la máquina en buenas condiciones. Reemplace las piezas gastadas o dañadas.
2. Tenga cuidado al reparar las cuchillas. Envuelva la cuchilla o use guantes. Reemplace las cuchillas dañadas. No repare ni modifique las cuchillas.
3. Extraiga o desconecte la batería antes de ponerla en servicio o realizar reparaciones.



ADVERTENCIA: Parte del polvo y los desechos generados por el uso de esta herramienta contienen químicos reconocidos por el Estado de California como causantes de cáncer, defectos de nacimiento u otros efectos nocivos para el aparato reproductor. Algunos ejemplos de estos productos químicos son:

- * Químicos presentes en fertilizantes
- * Compuestos presentes en insecticidas, herbicidas y pesticidas
- * Arsénico y cromo de maderas tratadas químicamente

El riesgo que usted corre al exponerse a estos químicos varía según la frecuencia con la que realiza este tipo de trabajo. Para reducir la exposición, trabaje en una zona bien ventilada y utilice equipo de protección aprobado, como mascarillas antipolvo especialmente diseñadas para filtrar partículas microscópicas.



ADVERTENCIA: Disposición 65 del estado de California: Este producto contiene químicos reconocidos por el Estado de California como causantes de cáncer, defectos de nacimiento u otros efectos nocivos para el aparato reproductor.



ADVERTENCIA: Cáncer y Daño Reproductivo - www.P65Warnings.ca.gov.

INSTRUCCIONES DE SEGURIDAD IMPORTANTES

- Evite ambientes peligrosos - No utilice la cortadora en condiciones de humedad, lugares mojados o bajo la lluvia.
- Mientras corta el césped, no permita que haya otras personas, niños o mascotas en el lugar. Detenga la máquina si alguien ingresa al área.
- Vístase adecuadamente - No use prendas sueltas ni artículos de joyería porque pueden quedar atrapados en las piezas móviles. Se recomienda usar guantes de goma y calzado de protección cuando se trabaja al aire libre.
- Ne pas travailler hors de portée - Mantenga una base de apoyo firme y un buen equilibrio. No adopte una postura incómoda. Si lo hiciera, podría perder el equilibrio.
- No opere el equipo descalzo o si tiene sandalias o calzado liviano similar. Use calzado de protección que cubra sus pies y le permita tener una base de apoyo firme en superficies resbaladizas.
- Utilice gafas de seguridad - Siempre utilice gafas de seguridad con protectores laterales. Las gafas comunes y corrientes solo resisten impactos en el área de las lentes. NO son gafas de seguridad. Si respeta esta regla reducirá el riesgo de dañarse los ojos. Protéjase la cara con una mascarilla si hay polvo en el ambiente.
- Al operar este producto, use gafas de seguridad que cumplan con la norma ANSI Z87.1.
- Use la herramienta correcta. No utilice la cortadora en trabajos para los que no está indicada.
- No la fuerce. La máquina funcionará mejor y de manera más segura a la velocidad para la que fue diseñada.
- Manténgase alerta, observe lo que está haciendo y use el sentido común cuando trabaja con la cortadora. No opere la cortadora si está cansado o bajo la influencia de drogas, alcohol o medicamentos. Un momento de distracción mientras opera la unidad podría provocar lesiones corporales serias.
- Mantenga la podadora de pasto con cuidado - Mantenga la máquina en buenas condiciones. Las cuchillas deben estar afiladas y los protectores colocados y en estado de funcionamiento.
- Verifique con frecuencia que todas las tuercas, los pernos y los tornillos estén bien ajustados para asegurarse de que el equipo esté en estado de funcionamiento seguro.
- Detenga el motor, extraiga la llave de seguridad y espere hasta que las cuchillas se detengan por completo antes de limpiar la cortadora, retirar el recolector de pasto, desatascar la abertura, o haciendo reparaciones o inspecciones.
- Cuando no esté en uso, la cortadora deberá guardarse en un lugar cerrado y seco, fuera del alcance de los niños.
- Siempre utilice dispositivos de protección. No opere la cortadora de césped si el protector de descarga del recolector de pasto, el protector posterior u otros dispositivos de protección no están totalmente colocados y en buenas condiciones.
- Siga las instrucciones del fabricante para utilizar la cortadora correctamente e instalar los accesorios. Use solamente accesorios aprobados por el fabricante.
- No utilice la cortadora cuando el césped esté húmedo o en pendientes pronunciadas. Si no tiene una base de apoyo firme, podría resbalarse y caerse. Camine, nunca corra.
- Emplee sumo cuidado cuando se aproxime a esquinas ciegas, arbustos, árboles u otros objetos que puedan obstaculizar el alcance de su visión.
- Despeje la zona de trabajo antes de cada uso. Retire todos los objetos, como rocas, palos, alambres, huesos, juguetes, etc. que puedan ser lanzados por la cuchilla. Cuando el motor esté funcionando, permanezca siempre detrás del mango.
- No utilice la cortadora cerca de precipicios, zanjas o terraplenes.
- En pendientes, corte el césped transversalmente, nunca hacia arriba o hacia abajo. Si cambia de dirección en pendientes, hágalo con extrema precaución.
- Planifique la manera en que cortará el césped: evite la descarga de materiales hacia caminos, aceras, personas que estén en el lugar, etc. También, evite la descarga de materiales hacia paredes u obstrucciones, que podrían provocar que los objetos rebotaran y lastimaran al operario.
- No desplace la cortadora hacia atrás a menos que sea absolutamente necesario. Si debe hacerlo para alejarse de una pared u obstrucción, primero mire hacia atrás y abajo para evitar tropezones.
- Los objetos que golpean la cuchilla de la cortadora pueden provocar lesiones serias a las personas. Antes de cada corte, se debe examinar siempre el área donde se trabajará y retirar todos los objetos que hubiera en el césped.
- Si la cortadora golpea algún objeto extraño, siga estos pasos:
 - * Detenga la cortadora y libere el cordón de control del interruptor.
 - * Extraiga la llave de seguridad.
 - * Examine detenidamente la cortadora para verificar si está dañada.
 - * Repare cualquier daño antes de volverla a encender y usar.
- Detenga el motor, extraiga la llave de seguridad y espere a que la cuchilla se detenga por completo antes de retirar el recogedor de hierba o de desatascar el canal. La cuchilla continúa girando unos segundos después de que se apaga el motor. Nunca acerque ninguna parte del cuerpo en el área de trabajo de la cuchilla hasta estar seguro de que la cuchilla se detuvo por completo.
- Si la cortadora comienza a vibrar de manera inusual, apáguela de inmediato y revísela para detectar la causa. Generalmente, la vibración advierte la existencia de un problema.
- El servicio o mantenimiento del producto debe estar a cargo de personas calificadas únicamente. Un servicio o mantenimiento inadecuado podría provocar lesiones al usuario o dañar el producto.
- Al efectuar el mantenimiento del producto, use solo repuestos idénticos. El uso de piezas no autorizadas puede provocar lesiones serias al usuario o dañar el producto.
- Cambie la cuchilla si está doblada o fisurada. Una cuchilla mal equilibrada ocasiona vibraciones que podrían dañar la unidad impulsora del motor o causar lesiones personales. Afile la cuchilla desafilada de la misma manera en cada extremo para mantener el equilibrio. Limpie profundamente la cuchilla y verifique el equilibrio apoyándola horizontalmente sobre un clavo delgado a través del orificio central. El clavo debe encontrarse en posición horizontal. Si alguno de los extremos del a cuchilla gira hacia abajo, extraiga algo de metal de la parte pesada del extremo inferior hasta que la cuchilla quede equilibrada. La cuchilla estará equilibrada cuando ninguno de los extremos gire hacia abajo.
- El conjunto del receptor de hierba está sujeto a deterioro y a desgaste, y se debe revisar todas las veces que use la podadora. Si es necesario algún repuesto, asegúrese de que el receptor de hierba nuevo cumpla con las recomendaciones y especificaciones del fabricante.
- Mantenga las etiquetas de instrucciones de seguridad en buen estado o cámbielas, según sea necesario.
- Guarde en el interior los aparatos que no se están usando — Cuando no se está usando, se debe guardar la recortadora de hilo en el interior, en un lugar seco y cerrado con llave de arranque, inaccesible a los niños. Retire la llave de arranque y guárdela en un lugar apartado fuera del alcance de los niños.
- Siga las instrucciones para lubricar y cambiar accesorios.
- Nunca opere la máquina en un espacio cerrado.
- Nunca altere los dispositivos de seguridad. Compruebe periódicamente que la máquina funcione correctamente.
- Nunca intente hacer un ajuste de altura de la rueda mientras el motor está en marcha.
- No lavar con una manguera; Evita que entre agua en el motor y conexiones eléctricas.

INSTRUCCIONES DE SEGURIDAD IMPORTANTES




REGLAS DE SEGURIDAD PARA BATERÍA Y CARGADOR

- Evitar el arranque involuntario. Asegúrese de que el interruptor esté en la posición de apagado antes de conectar el paquete de baterías, recoger o transportar el aparato. Llevar el aparato con su dedo en el interruptor o energizar el dispositivo que tiene el interruptor encendido invita a accidentes.
- Desconecte la batería del dispositivo antes de realizar ajustes, cambiar accesorios o guardar el dispositivo. Estas medidas de seguridad preventivas reducen el riesgo de que el aparato se encienda accidentalmente.
- Recargue solo con el cargador **Scotts 40V (CHL84000)**. Un cargador que sea adecuado para un tipo de paquete de baterías puede crear un riesgo de incendio cuando se usa con otro paquete de baterías.
- Use aparatos solo con paquetes de baterías de iones de litio **Scotts 40V (BL82040, BL85040)**. El uso de cualquier otro paquete de baterías puede crear un riesgo de lesiones e incendio. Consulte el manual del cargador.
- Cuando no utilice la batería, manténgala alejada de otros objetos metálicos, como clips, monedas, llaves, clavos, tornillos u otros objetos metálicos pequeños, que pueden hacer una conexión de un terminal a otro. Cortocircuitar los terminales de la batería puede causar quemaduras o un incendio.
- Bajo condiciones abusivas, el líquido puede ser expulsado de la batería; evitar el contacto. En caso de contacto accidental, enjuague con agua. Si el líquido entra en contacto con los ojos, también busque ayuda médica. El líquido expulsado de la batería puede causar irritación o quemaduras.
- No utilice un paquete de baterías o un aparato que esté dañado o modificado. Las baterías dañadas o modificadas pueden exhibir un comportamiento impredecible que puede resultar en un incendio, explosión o riesgo de lesiones.
- No exponga un paquete de baterías o un aparato a fuego o temperatura excesiva. La exposición al fuego o a una temperatura superior a 130 °C (265 °F) puede causar una explosión.
- Siga todas las instrucciones de carga y no cargue la batería o el aparato fuera del rango de temperatura especificado en las instrucciones. La carga incorrecta o a temperaturas fuera del rango especificado puede dañar la batería y aumentar el riesgo de incendio. Consulte el manual del cargador.
- Haga que un técnico de reparaciones calificado realice el servicio de reparaciones utilizando solo repuestos idénticos. Esto asegurará que se mantenga la seguridad del producto.
- No modifique ni intente reparar el aparato o la batería (según corresponda), excepto lo indicado en las instrucciones de uso y cuidado.
- No abra ni estropee la(s) batería(s). El líquido que liberan las baterías puede provocar daños en los ojos y la piel. Es tóxico y no debe ingerirse.
- Tenga cuidado cuando maneje baterías a fin de no realizar un cortocircuito en la batería con materiales conductores como anillos, brazaletes y llaves. La batería o el conductor pueden recalentarse y provocar quemaduras.
- Desconecte el paquete de baterías - Desconecte el paquete de baterías antes de guardar la herramienta, servicio, transporte, o cambie los aditamentos como una hojas. Tales medidas preventivas de seguridad reducen el riesgo de poner en marcha accidentalmente la herramienta.
- Apague la unidad y desconecte el paquete de baterías y llave de arranque cuando no esté en uso. Traslade o transporte la unidad con el motor apagado y la llave de arranque y el paquete de baterías ya retirados de la podadora.
- Las herramientas de baterías no se necesitan conectar a una toma de corriente; por lo tanto, siempre están en condiciones de funcionamiento. Esté consciente de los posibles peligros cuando no esté usando la herramienta de baterías o cuando esté cambiando los accesorios de la misma. Con el cumplimiento de esta regla se reduce el riesgo de una descarga eléctrica, incendio o lesión corporal seria.
- No use aparatos accionados por baterías en la lluvia.
- Quite o desconecte la batería antes de proporcionarle servicio, realizarle una limpieza o quitar material del aparato para el cuidado del jardín.
- No cargue la cortadora de césped bajo la lluvia o en ubicaciones húmedas.
- No haga un mal uso del cable. Nunca tire del cable para trasladar, empujar o desenchufar la herramienta. Aleje el cable del calor, el aceite, los bordes filosos o las piezas móviles. Los cables dañados o enredados aumentan el riesgo de descarga eléctrica.
- El uso de un dispositivo no recomendado ni vendido por el fabricante del cargador de batería podría provocar riesgos de incendios, descargas eléctricas o lesiones a personas. Si respeta esta regla, reducirá riesgos de incendios, descargas eléctricas y lesiones corporales serias.
- No realice el mantenimiento de la cortadora con la batería, la llave de seguridad o el cargador instalados.
- No utilice el cargador cuando la temperatura ambiente es superior a 40 °C (104 °F) o inferior a 4 °C (39 °F).
- No opere el cargador con un cable o enchufe dañados porque se podrían producir cortocircuitos y descargas eléctricas. Si el cargador está dañado, reemplácelo con un cargador idéntico de un proveedor de servicio técnico autorizado.
- No utilice el cargador si ha sufrido un golpe fuerte, si lo ha dejado caer al piso o si ha sufrido algún otro daño. Llévelo a un centro de servicio técnico autorizado para que reciba una inspección eléctrica y se determine si está en buenas condiciones.
- Para reducir el riesgo de descarga eléctrica, desenchufe el cargador del tomacorriente antes de realizar el mantenimiento o la limpieza.
- Desconecte el cargador del suministro eléctrico cuando no esté en uso para evitar daños en caso de que se produzca un pico de tensión.
- Riesgo de descarga eléctrica: No toque el conector de salida ni el terminal de la batería en las áreas que no tienen aislamiento.
- No exponga el cargador a zonas húmedas o mojadas. El ingreso de agua en el cargador aumenta el riesgo de descarga eléctrica.
- Asegúrese de colocar el cable donde no pueda ser pisado, ni sea motivo de tropezones. Tampoco en sitios donde pueda entrar en contacto con bordes filosos o piezas móviles, o estar expuesto a daños o tensiones. Esto reducirá el riesgo de caídas accidentales (que podrían provocar lesiones) y daños al cable (que podrían causar descargas eléctricas).
- Aleje el cable y el cargador de lugares calurosos para evitar daños a la caja o las piezas internas.
- Evite en todo momento que gasolina, aceites, productos a base de petróleo, etc. entren en contacto con las piezas plásticas. Contienen químicos que pueden dañar, debilitar o destruir el plástico.




Guarde estas instrucciones. Consúltelas con frecuencia y empléelas para instruir a otras personas que puedan utilizar esta herramienta. Si presta a alguien esta herramienta, facilítele también las instrucciones.

SÍMBOLOS

Algunos de los siguientes símbolos pueden aparecer en este producto. Tenga a bien estudiarlos y aprender su significado. La adecuada interpretación de estos símbolos le permitirá operar el producto mejor y de manera más segura.

SÍMBOLO	NOMBRE	DESIGNACIÓN / EXPLICACIÓN
V	Voltios	Voltaje
A	Amperios	Corriente
Hz	Hertz	Frecuencia (ciclos por segundo)
V	Vatio	Alimentación
h	Horas	Tiempo
Gal	Galones	Volumen
qt	Cuarto de galón	Volumen
	Alerta de condiciones de humedad	No exponga la herramienta a la lluvia ni la utilice en lugares mojados.
	Lea el manual del operario	Para reducir el riesgo de sufrir alguna lesión, el usuario debe leer y comprender el manual del operario antes de usar este producto.
	Protección para ojos	Al trabajar con este producto, use siempre gafas de seguridad con protectores laterales y, si fuera necesario, un protector completo para la cara.
	Alerta de seguridad	Precauciones para su seguridad
	Descarga eléctrica	Debe usar el equipo en lugares secos, y debe cumplir con las prácticas de seguridad. De lo contrario, se pueden producir descargas eléctricas.

A continuación, encontrará palabras indicadoras y significados que explican los niveles de riesgo asociados con este producto.

SÍMBOLO	INDICACIÓN	SIGNIFICADO
	PELIGRO	Indica una situación de inminente peligro que, de no evitarse, provocará la muerte o lesiones serias.
	ADVERTENCIA	Indica una situación potencialmente peligrosa que, de no evitarse, podría provocar la muerte o lesiones serias.
	PRECAUCIÓN	Indica una situación potencialmente peligrosa que, de no evitarse, podría provocar lesiones menores o moderadas.
	PRECAUCIÓN	(Sin símbolo de alerta de seguridad) Indica una situación que puede resultar en daños a la propiedad.

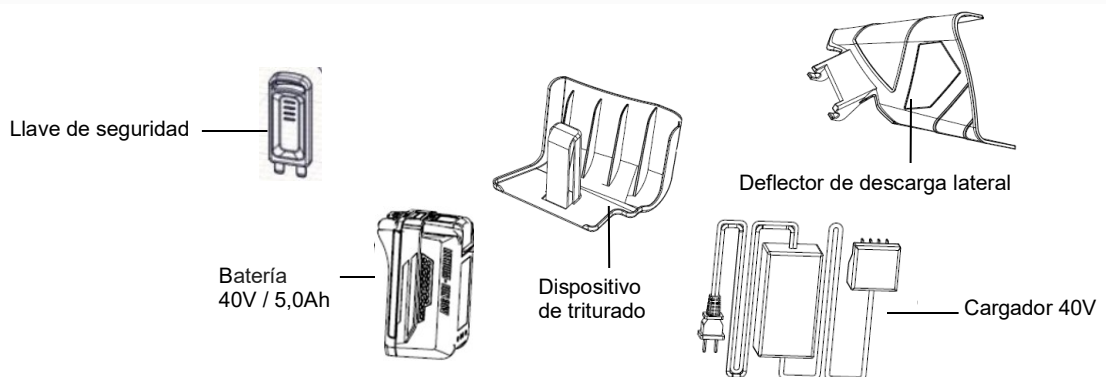
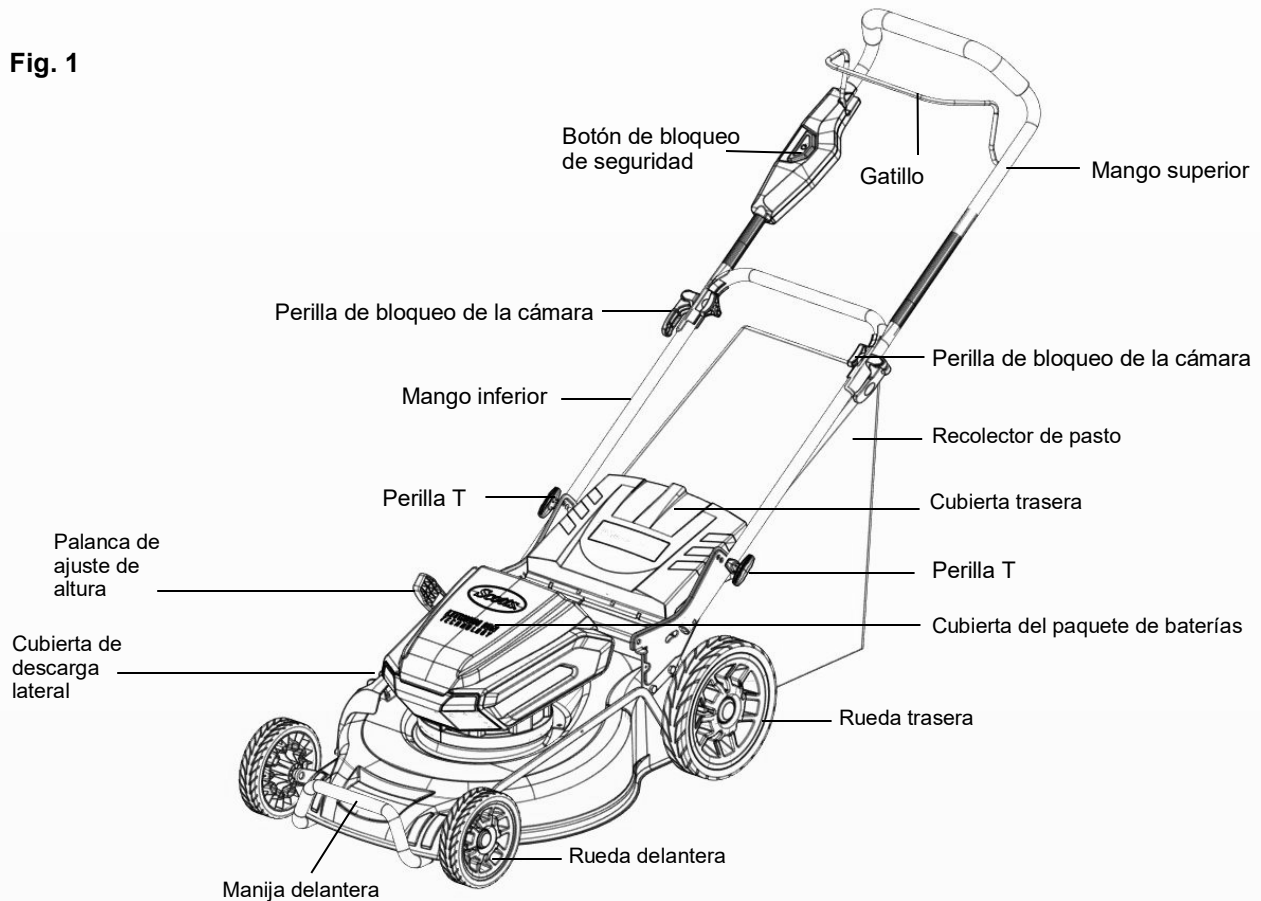
CARACTERÍSTICAS

ESPECIFICACIONES DEL PRODUCTO 61940S

*Batería..... Batería de litio 5,0 Ah de 40 V
 Entrada 40V, CC solamente
 Velocidad sin carga 2650 RPM
 Tiempo de carga 170 minutos

Ajustes de altura.....de 3,8 a 9,5 cm (1 ½ a 3 ¾ pulg.)
 Tamaño de ruedas.....delanteras 17,8 cm (7 pulg.),
 traseras 25,4 cm (10 pulg.)
 Capacidad del recolector de pasto60 litros (1.7 Bushel)
 Peso.....25 kg (55 libras)

Fig. 1



* Este producto contiene una batería de iones de litio recargable. La batería debe reciclarse. No deseche este producto en el fuego. La batería podría explotar o perder líquido. Antes de desechar los paquetes de baterías dañadas o usadas, comuníquese con la agencia de eliminación de residuos local o con la Agencia de Protección Medioambiental local para obtener información e instrucciones específicas. Lleve la batería a un centro de reciclado o de desechos local para su eliminación. Nunca arroje el paquete de baterías al fuego o en un recipiente común. Vea la página 13 para más detalles.

CARACTERÍSTICAS

CONOZCA SU CORTADORA DE CÉSPED

Vea la figura 1

Para utilizar este producto de manera segura, es necesario comprender la información de este manual del operario y también conocer el proyecto que desea llevar a cabo. Antes de usar el producto, familiarícese con todas las características operativas y las normas de seguridad.

MEDIDOR DE BATERÍA

El medidor de batería calcula la cantidad de carga que queda en la batería.

RECOLECTOR DE PASTO

El recolector de pasto evita que los recortes de césped queden dispersos sobre el área en la que está trabajando.

PALANCA DE AJUSTE DE ALTURA

La palanca de ajuste de altura permite ajustar la altura del corte.

MONTAJE DEL MOTOR / CONTROL DE LA CUCHILLA

El control del motor / cuchilla, ubicado en el mango superior de la cortadora, permite activar y desactivar el motor y la cuchilla.

DISPOSITIVO DE TRITURADO

Su cortadora está equipada con un dispositivo para trituración que permite que la cuchilla corte y recorte el césped para obtener recortes más finos.

LLAVE DE SEGURIDAD

La cortadora no puede encenderse si la llave de seguridad no está insertada.

DEFLECTOR DE DESCARGA LATERAL

Use el deflector de descarga lateral de su cortadora cuando el césped sea demasiado elevado para triturar o cuando se prefiera la descarga lateral. Los recortes de césped producidos cuando se usa el deflector de descarga lateral son notoriamente más grandes que los producidos cuando se usa el dispositivo para trituración.

CAMBIO AUTOMÁTICO DE BATERÍAS

Para eliminar el tiempo de espera, el cambio automático de baterías permite usar la carga de la segunda batería una vez que la carga de la primera se agota.

MONTAJE

DESEMBALAJE

Este producto requiere algunas operaciones de montaje.

- Extraiga el producto y los accesorios de la caja con cuidado. Asegúrese de que estén incluidos todos los elementos detallados en la lista de embalaje.
- Inspeccione el producto detenidamente para corroborar que no existan roturas ni averías ocurridas durante el envío.
- No deseche el material de embalaje hasta haber inspeccionado exhaustivamente el producto y comprobado que funciona en forma satisfactoria.
- Si alguna pieza falta o está dañada, llame al 1-800-618-7474 para obtener asistencia.

LISTA DE EMBALAJE

Descripción	Cantidad
Cortadora	1
Llave de seguridad	1
Dispositivo de triturado	1
Deflector de descarga lateral	1
Recolector de pasto	1
Perilla de bloqueo de la cámara	2
Batería 40V/ 5.0Ah	1
Cargador 40V	1
Manual del operario	1

ADVERTENCIA:

Si alguna pieza falta o está dañada, no utilice este producto hasta reponer la pieza en cuestión. De lo contrario, podría sufrir lesiones corporales serias.

ADVERTENCIA:

No intente modificar la unidad ni elaborar accesorios no recomendados para usar con este producto. Dicha clase de alteración o modificación constituye un uso inadecuado de la herramienta y podría generar situaciones de riesgo y provocar lesiones corporales serias.

ADVERTENCIA:

No coloque la llave de seguridad hasta haber completado el montaje. De lo contrario, la máquina podría arrancar accidentalmente y provocar lesiones serias.

PELIGRO:

Para evitar que la máquina arranque accidentalmente, no haga ajustes o instalaciones con la llave de seguridad colocada o las baterías instaladas.

ADVERTENCIA:

Nunca opere la cortadora si los dispositivos de protección adecuados no están en su lugar y en buenas condiciones. Nunca opere la cortadora si los dispositivos de seguridad están dañados. Si lo hiciera, podría sufrir lesiones corporales serias.

MONTAJE

Desplegar y ajustar el conjunto de mangos

Vea la figura 2

⚠ ADVERTENCIA Plegar o desplegar inadecuadamente la manija puede dañar los cables y ocasionar condiciones de operación no seguras.

- No dañe los cables al plegar o desplegar la manija.
- Si el cable se daña, póngase en contacto con un proveedor de servicio autorizado.

Para elevar el ensamble de la manija:

- Jale la manija inferior (1) hacia arriba y hacia atrás hasta que se alinee con la posición del orificio del brazo de soporte y el armazón de la cortadora.
- Para fijar la manija inferior (1) en su lugar, gire las perillas T (3) 90 grados hasta que el pasador de bloqueo se active en una de las tres posiciones bloqueadas de pie (4).
- Abra los bloqueos de la cámara superior (2).
- Jale el mango superior hacia arriba y hacia atrás para levantarlo a la posición de funcionamiento.
- Para fijar el mango superior en su lugar, cierre los

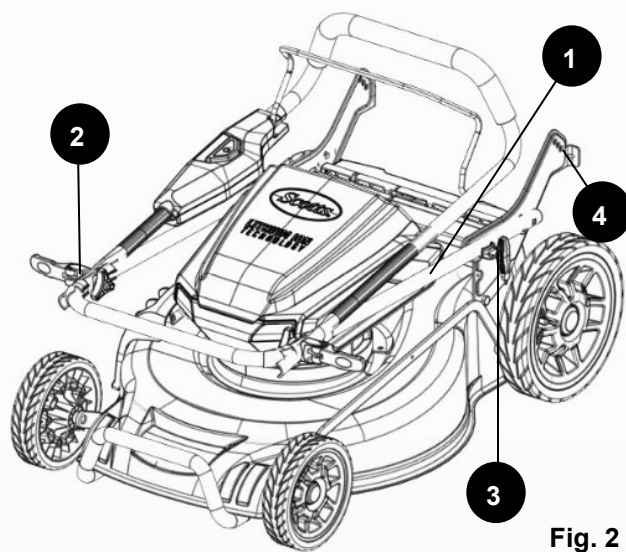


Fig. 2

bloqueos de la cámara superior (2).

NOTA: Si la manija superior está floja o separada de la manija inferior, gire las perillas de los bloqueos de la manija superior en sentido de las agujas del reloj para apretarlas.

Instalación del receptor de hierba (operación de ensacado trasero)

Vea la figura 3

- Levante la puerta de descarga posterior (1).
- Levante el recolector de pasto por su manija y colóquelo debajo de la puerta de descarga posterior, de modo que los ganchos (3) del recolector de pasto queden asentados en la varilla de la puerta (4).
- Libere la puerta de descarga posterior. Si los ganchos del recolector de pasto están correctamente instalados, se extienden a lo largo de las aberturas de la puerta de descarga posterior.

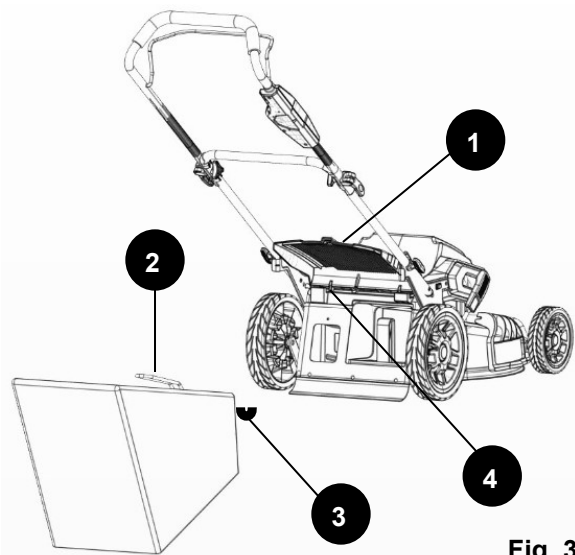


Fig. 3

NOTA: Al usar el recolector de pasto, no instale ni el deflector de descarga lateral ni el dispositivo de triturado.

Remoción/instalación del dispositivo de triturado (para la operación de trituración)

Vea la figura 4.

Se debe retirar el dispositivo de triturado para instalar completamente la bolsa del recolector de de.

- Para retirar el dispositivo de triturado, levante la puerta de descarga posterior (1).
- Tome la manija (2) del dispositivo de triturado. Levante y jale el dispositivo de triturado usando la manija.
- El dispositivo de triturado (3) se inserta en ángulo, por lo que se requiere algo de fuerza para retirarlo.

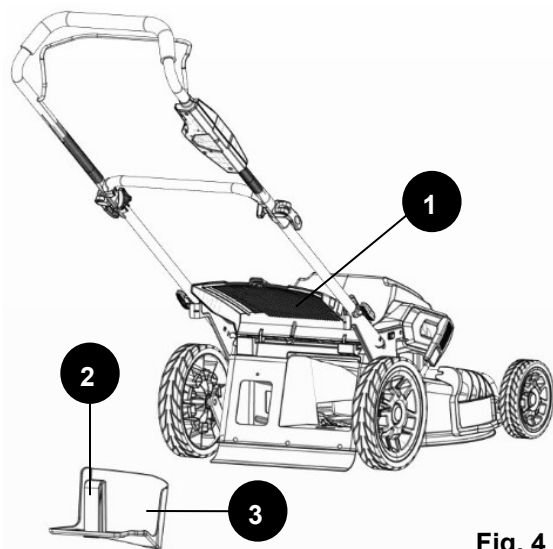


Fig. 4

Cuando retire la del recolector de, debe volver a instalar el dispositivo de triturado.

- Para retirar el dispositivo de triturado, levante la puerta de descarga posterior (1).
- Tome la manija (2) del dispositivo de triturado. Levante e inserte el tapón de mulching en ángulo con el mango.

MONTAJE

NOTA: Cuando esté cubriendo con pajote, no instale ni el deflector de descarga lateral ni la bolsa del recogedor de césped.

Instalación del conducto de descarga lateral (para la operación de la descarga lateral) Vea la figura 5

- Levante la cubierta de descarga lateral (1).
- Alinee las ranuras (2) del conducto de descarga (3) con los pasadores (4) de la parte inferior de la cubierta de descarga (1).
- Baje el conducto de descarga hasta que los ganchos de la plataforma de la cortadora queden asegurados en el conducto de descarga.
- Libere la cubierta de descarga lateral.

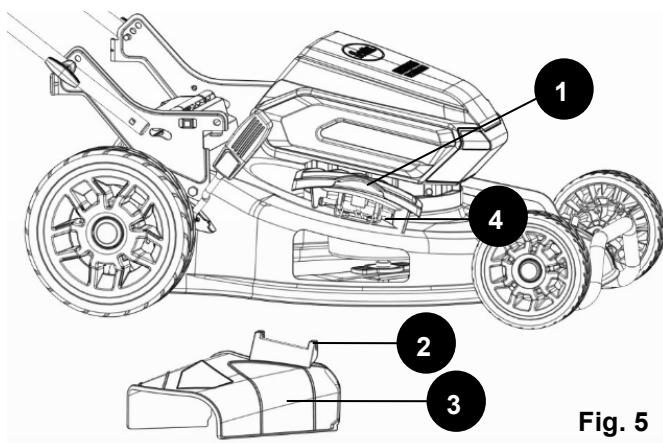


Fig. 5

NOTA: Al usar la descarga lateral, no instale la del recolector de pasto. Asegúrese de que el dispositivo de triturado esté instalado.

Instalación/extracción de la batería Vea la figura 6

Para instalar el paquete de baterías

- Levante y mantenga elevada la cubierta de la batería (1).
- Alinee la batería (2) con el puerto de la batería de la cortadora.
- Asegúrese de que el botón de liberación de la batería (3) se fije en su lugar y que la batería quede bien asentada y segura en la cortadora antes de comenzar a usarla.
- Si no va a usar la máquina inmediatamente, retire la batería.

Para retirar el paquete de baterías

- Libere la palanca del travesaño para detener la cortadora.
- Presione el botón de liberación de la batería (3) de la cortadora. Abra la cubierta de la batería.
- Retire la batería de la cortadora.

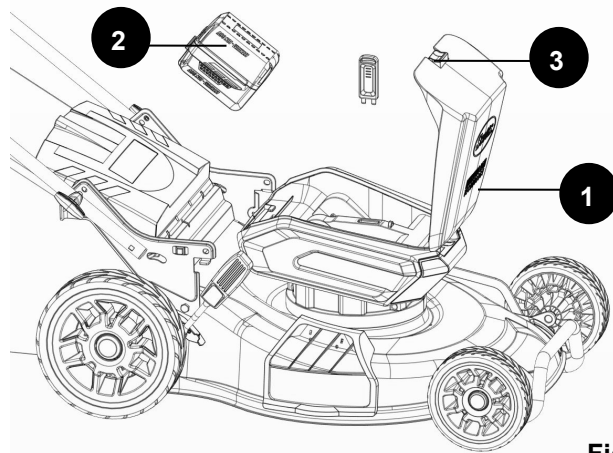


Fig. 6

Este producto solo aceptará el paquete de baterías de litio Scotts de 40 V.

Para conocer las instrucciones de carga completas, consulte el Manual del operario para obtener información acerca del paquete de baterías y los modelos de cargadores.

⚠ ADVERTENCIA: Retire siempre el paquete de baterías de la herramienta antes de instalar las piezas, realizar ajustes, limpiarla o cuando no la utilice. Retirar el paquete de baterías evitará que la unidad se accione accidentalmente y provoque lesiones graves.

NOTA: Para evitar lesiones corporales serias, siempre desmonte de la herramienta el paquete de baterías y mantenga manos vacías del botón de desbloqueo del gatillo al llevar herramienta.

⚠ ADVERTENCIA: Al colocar el paquete de baterías en la herramienta, asegúrese de que la costilla realzada del mismo quede alineada con la ranura interior del receptáculo para baterías de la sierra, y de que los pestillos entren adecuadamente en su lugar con un chasquido. Si no se monta debidamente el paquete de baterías pueden dañarse los componentes internos.

LLAVE DE SEGURIDAD

Para evitar la puesta en marcha accidental o el uso no autorizado de su cortacésped a batería, se ha incorporado en su diseño una llave de seguridad extraíble. El cortacésped se desactivará totalmente en cuanto se retire la llave de seguridad.

⚠ ADVERTENCIA: El cordón presente en la llave de seguridad se utiliza para propósitos de almacenamiento. Asegúrese de mantenerlo fuera del alcance de niños. NO ate la llave de seguridad al cortacésped.

⚠ PELIGRO: Mientras gira, la cuchilla podría provocar lesiones físicas graves. Para evitar posibles riesgos de sufrir lesiones graves, asegúrese de retirar la llave de seguridad del cortacésped cuando lo deje desatendido o vaya a proceder a su ajuste, limpieza, mantenimiento, transporte, elevación o almacenamiento.

FUNCIONAMIENTO

⚠ ADVERTENCIA:

No permita que la familiaridad con este tipo de productos termine en negligencia. Recuerde que un segundo de descuido es suficiente para provocar una lesión seria.

⚠ ADVERTENCIA:

Al trabajar con este producto, use siempre gafas de seguridad con protectores laterales. De lo contrario, podría sufrir lesiones serias por el impacto de objetos sobre sus ojos.

Encendido y apagado de la podadora

Vea la figura 7

Para arrancar la cortadora:

- Abra la tapa de las baterías.
- Instalar el paquete de baterías.
- Inserte la llave de arranque (1) en la ranura junto al puerto de la batería.
- Cierre la tapa de las baterías.
- Oprima y no suelte el botón de arranque (2).
- Mientras continúa presionando el botón de arranque, tire del Gatillo (3) hacia el mango. Una vez que el motor arranque, suelte el botón de arranque.

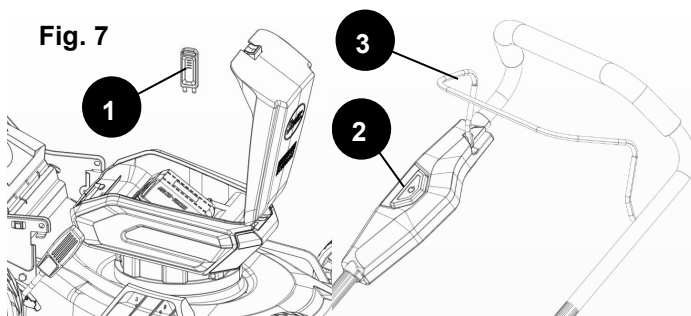


Fig. 7

Para detener la podadora:

- Suelte de la palanca de control de la hoja.

ARRANQUE SUAVE

Esta cortadora con batería de iones de litio está equipada con una función de "arranque suave". Al arrancarla inicialmente, la cortadora tardará aproximadamente 3 segundos en llegar a la velocidad máxima. Si la cortadora no arranca inicialmente: Retire la batería y revise debajo de la plataforma de la cortadora para cerciorarse de que no haya nada que obstruya la cuchilla y que pueda girarla libremente con la mano. Incluso un poco de pasto al arrancar evitará que la cortadora se encienda con el "arranque suave".

⚠ PRECAUCION: No intente anular la operación del botón de bloqueo de seguridad o la palanca del travesaño.

⚠ ADVERTENCIA:

No use accesorios no recomendados por el fabricante de este producto. El uso de accesorios no recomendados puede provocar lesiones corporales serias.

APLICACIONES:

Este producto puede utilizarse para el siguiente fin:

- Cortar el césped

⚠ ADVERTENCIA: El uso de cualquier cortadora puede hacer que objetos extraños sean arrojados hacia los ojos, lo que podría provocar una lesión seria. Siempre utilice gafas de seguridad al operar la cortadora y al realizar cualquier ajuste o reparación.

⚠ ADVERTENCIA: Asegúrese de que las demás personas y las mascotas permanezcan al menos a 30 m (100 pies) de distancia cuando la cortadora esté en uso.

INSPECCION EL ÁREA DE CORTE

Retire todas las piedras, palos, cables, huesos y otros escombros que puedan lanzar las cuchillas giratorias.

AJUSTE DE LA ALTURA DE LA CUCHILLA

Vea la figura 8

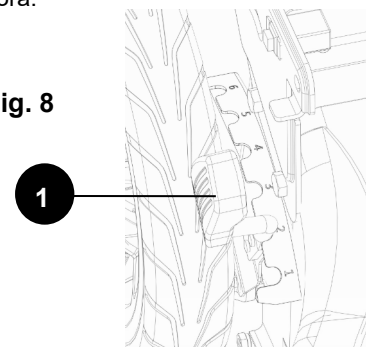
La cortadora se entrega con las ruedas en una posición de cortado establecida en un nivel bajo. Antes de usar la cortadora por primera vez, ajuste la posición de cortado a la altura más conveniente para su césped. La altura promedio del césped es de 3,8 a 5,0 cm (1 ½ a 2 pulg.) durante los meses fríos, y de 5,0 a 8,2 cm (2 a 3 1/4 pulg.) en los meses de calor.

El cortacésped puede ajustarse a 6 alturas de corte entre 38 mm (1.5 pulg.) y 95 mm (3.75 pulg.). Elija la altura de corte adecuada de acuerdo con los tipos y condiciones del césped.

Para ajustar la altura de la cuchilla:

- Para elevar la altura de la cuchilla, tome la palanca de ajuste de Altura (1) y muévala hacia la parte posterior de la cortadora.
- Para bajar la altura de la cuchilla, tome la palanca de ajuste de altura (1) y muévala hacia la parte delantera de la cortadora.

Fig. 8



FUNCIONAMIENTO

CONSEJOS PARA CORTAR EL CÉSPED

- Asegúrese de que en el área en la que trabajará no haya piedras, palos, alambres o cualquier otro objeto que pueda dañar las cuchillas o el motor de la cortadora. Estos objetos podrían ser lanzados accidentalmente por la cortadora en cualquier dirección, y provocar lesiones corporales serias al operario u otras personas.
- Para mantener un césped sano, siempre corte como máximo un tercio de su longitud total.
- Si corta pasto grueso, camine más lentamente para lograr una mayor eficacia en el cortado y permitir que los recortes se descarguen adecuadamente.
- No corte pasto húmedo. Se pegará a la parte inferior de la plataforma e impedirá que los recortes sean triturados adecuadamente.
- Es posible que el césped nuevo o grueso requiera un corte más bajo.
- Limpie la parte inferior de la plataforma de la cortadora después de cada uso para eliminar recortes de pasto, hojas, suciedad y otros desechos acumulados.

USO EN PENDIENTES

Vea la figura 9

⚠ ADVERTENCIA: Las pendientes son una de las causas principales de accidentes por resbalones y caídas que pueden provocar lesiones graves. El uso en pendientes requiere precaución extra. Si se siente inseguro cuando tenga que cortar el césped en una pendiente, no lo haga. Para su seguridad, no intente cortar el césped en pendientes de más de 15 grados.

- En pendientes, corte el césped transversalmente, nunca hacia arriba o hacia abajo. Si cambia de dirección en pendientes, hágalo con extrema precaución.
- Tenga cuidado con los pozos, surcos, rocas, objetos ocultos o montículos que puedan provocar que se resbale o tropiece. El césped alto puede ocultar obstáculos. Retire todos los objetos, como rocas, ramas de árboles, etc. que puedan provocar tropezones o ser lanzados por la cuchilla.
- Siempre asegure su base de apoyo. Un resbalón y caída puede provocar lesiones corporales serias. Si siente que está perdiendo el equilibrio, suelte el cordón de control del interruptor inmediatamente.
- No utilice la cortadora cerca de precipicios, zanjas o terraplenes; podría perder su base de apoyo o el equilibrio.

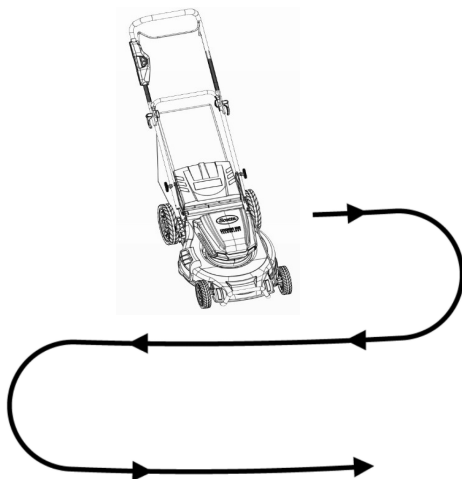


Fig. 9

CONSEJOS PARA EL TRITURADO

NOTA: Inspeccione el área donde usará la cortadora, retire todas las piedras, palos, cables, huesos y otros escombros que puedan lanzar las cuchillas giratorias.

- Libere la palanca del travesaño para APAGAR la cortadora cuando cruce por algún área con gravilla (pues la cuchilla puede lanzar las piedras).
- Configure la cortadora con la mayor altura de corte al cortar por terrenos irregulares o hierbas altas.
- Para un triturado efectivo, no corte el pasto mojado, pues tiende a pegarse en la parte inferior de la plataforma y evita que el pasto cortado se triture adecuadamente. Es posible que el césped nuevo o grueso requiera un corte más bajo. La velocidad en tierra debe ajustarse según las condiciones del pasto. Si el corte del pasto se ha retrasado y se dejó crecer el pasto más de 10 cm (4 pulg.), corte el pasto dos veces para reducir la altura del pasto a un máximo de 8.3 cm (3 1/4 pulg.).
- Pase la cortadora con pasos regulares. Superponga las hileras de corte. No deje que el pasto crezca demasiado alto. Si el pasto está muy largo, comience en la posición más alta de corte y después bájela hasta la altura deseada.

⚠ ADVERTENCIA: Si choca con un objeto extraño, detenga el motor y retire la batería. Examine detenidamente la cortadora para verificar si está dañada. Repare cualquier daño antes de usarla. La vibración excesiva de la cortadora durante el uso indica que hay daño. Examine detenidamente la cortadora y repare cualquier daño antes de volverla a usar.

Vaciado del receptor de hierba

Vea la figura 10

- Detenga la podadora, y espere a que las cuchillas se detengan por completo.
- Abra la tapa de las baterías.
- Retire la llave de arranque de fusible y paquete de baterías.
- Levante la puerta de descarga posterior.
- Levante el receptor de césped del mango para retirarlo de la podadora.
- Vacíe los recortes de hierba.
- Levante la puerta trasera y reinstale el receptor de césped como se indicó anteriormente en este manual.
- Vuelva a instalar la llave de arranque y el paquete de baterías cuando esté listo para podar el pasto.



Fig. 10

CARGA DEL PAQUETE DE BATERÍAS

Cargue el paquete de baterías únicamente con el cargador provisto.

Permita por lo menos 70 minutos de tiempo de carga para una batería de 2,0 Ah o 170 minutos de tiempo de carga para una batería de 5 Ah antes del uso inicial del cortadora.

El cargador de baterías debe funcionar en temperaturas que oscilen entre los 4 y 40 °C (39 y 104 °F).

La batería debe cargarse en un lugar fresco y seco.

Es posible que se necesiten de dos a tres ciclos de carga/descarga iniciales para obtener la máxima capacidad o tiempo de funcionamiento.

No intente abrir el cargador ni la unidad, ya que en su interior no existen piezas que el usuario pueda reparar. Comuníquese con nuestra línea de ayuda de atención al 1-800-618-7474 para recibir asistencia.

NO incinere los paquetes de baterías, aunque estén muy dañados o totalmente agotados, porque pueden estallar y provocar lesiones.

Utilice el cargador de baterías sólo bajo techo.

Desconecte el cargador del suministro eléctrico cuando no esté en uso para evitar daños en caso de que se produzca un pico de tensión.

Cuando la batería está cargada por completo, se puede almacenar de forma segura en temperaturas de hasta -20 °C (-4 °F) durante un período de cuatro semanas antes de que requiera una nueva carga. Cargue el paquete de baterías completamente cada 90 días.

Si transcurrido un tiempo determinado, el paquete de baterías se agota rápidamente después de un período de carga de 70 o 170 minutos, es necesario un cambio de batería.

Para prevenir un daño permanente a la batería, nunca la almacene descargada.

ALMACENAMIENTO EN INVIERNO. Recargue la batería completamente durante 75 minutos antes de guardarla y repita la operación cada 90 días.

Debido a que la batería no tiene ningún efecto memoria, no es necesario que esté totalmente descargada para volver a cargarla.

Es posible que ocurra una pequeña pérdida de líquido de las pilas en condiciones de uso, carga o temperaturas extremas. Esto no indica una falla. No obstante, si el sello externo está roto y el líquido entra en contacto con la piel:

- Lávese con agua y jabón de inmediato.
- Neutralice el efecto con un ácido débil como jugo de limón o vinagre.
- Si el líquido de la batería penetra en los ojos, enjuáguese con agua limpia durante un mínimo de 10 minutos y obtenga asistencia médica inmediata.

PROCEDIMIENTO DE CARGA

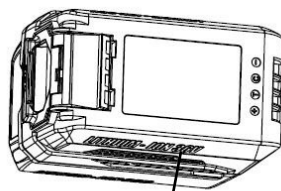
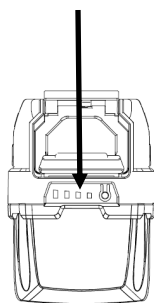
VER MANUAL DEL CARGADOR PARA INSTRUCCIONES COMPLETAS.

Una luz verde significa - ¼ Completo

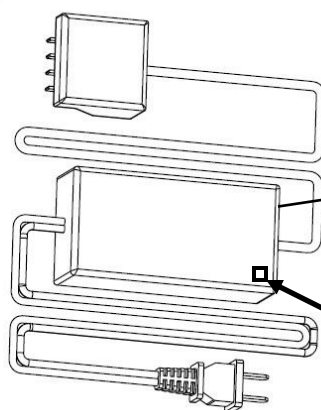
Dos luces verdes significan - ½ Completo

Tres luces verdes significan -3/4 Full

Cuatro luces verdes significan - batería llena



Paquete de baterías



Cargador

parpadeo en verde = La batería se está cargando

verde constante = La batería está completamente cargada

ELIMINACIÓN DE LA BATERÍA

Extraiga el paquete de baterías de la herramienta. Cubra los terminales con una cinta adhesiva resistente. No trate de destruir ni desarmar el paquete de baterías ni de extraer ninguno de sus componentes. Este producto contiene baterías de litio-ion, que se deben reciclar o desechar adecuadamente. Es posible que las leyes locales, estatales o federales prohíban eliminar estas baterías con los desechos comunes.



El sello RBRC que aparece en el paquete de baterías de litio-ion indica que los costos para reciclarlo al término de su vida útil ya han sido pagados por The Great States Corporation/American Lawn Mower Company. Es ilegal arrojar las baterías de litio-ion gastadas en un depósito municipal de residuos sólidos o en la basura. RBRC, en colaboración con The Great States Corporation/American Lawn Mower Company, ofrece una forma fácil y ecológica de reciclar las baterías de litio-ion gastadas. Simplemente comuníquese con un centro de reciclaje local o llame al 1.800.8.BATTERY para obtener información sobre dónde dejar las baterías gastadas.

MANTENIMIENTO

⚠ ADVERTENCIA:

Al efectuar el servicio técnico, use solo repuestos idénticos. El uso de otros repuestos puede provocar riesgos o dañar el producto.

⚠ ADVERTENCIA:

Al trabajar con una herramienta eléctrica o soplar el polvo con aire comprimido, use siempre gafas de seguridad con protectores laterales. Si la actividad genera mucho polvo, use también una mascarilla antipolvo.

MANTENIMIENTO GENERAL

Evite el empleo de solventes al limpiar piezas de plástico. La mayoría de los plásticos son susceptibles a diferentes tipos de solventes comerciales y pueden resultar dañados. Utilice paños limpios para eliminar la suciedad, el polvo, el aceite, la grasa, etc.

⚠ ADVERTENCIA:

Evite en todo momento que líquidos de frenos, gasolina, productos a base de petróleo, aceites penetrantes, etc. entren en contacto con las piezas plásticas. Las sustancias químicas pueden dañar, debilitar o destruir el plástico, lo cual a su vez puede producir lesiones corporales serias.

Verifique periódicamente que todas las tuercas y los pernos estén bien ajustados para asegurarse de que el equipo funcione correctamente.

Elimine el pasto y las hojas acumuladas sobre la cubierta del motor o a su alrededor. Limpie ocasionalmente la cortadora con un paño seco. **No utilice agua.**

LUBRICACIÓN

Todos los rodamientos de este producto están lubricados con suficiente cantidad de aceite de alta calidad para toda la vida útil de la unidad, en condiciones normales de funcionamiento. Por lo tanto, no se necesita lubricación adicional de los rodamientos.

Al inicio y al final de cada temporada de corte:

- Lubrique los resortes en la puerta de descarga posterior con aceite de baja viscosidad.
- Lubrique la palanca de ajuste de altura y las piezas de ferretería relacionadas con aceite de baja viscosidad.
- Retire las ruedas y lubrique la superficie del perno del eje y la superficie interior de la rueda con aceite de baja viscosidad.
- Retire el conjunto de la cuchilla y el cubo de la cuchilla, y lubrique el eje del motor con aceite de baja viscosidad o aceite para motor. **Consulte la sección Reemplazo de la cuchilla** para obtener instrucciones sobre cómo retirar la cuchilla.

⚠ ADVERTENCIA:

Siempre protéjase las manos usando guantes gruesos y/o envolviendo los bordes de corte de la cuchilla con paños y otro material al realizar el mantenimiento de la cuchilla. De lo contrario, podría sufrir lesiones corporales serias.

⚠ PELIGRO:

Antes de efectuar cualquier tarea de mantenimiento, asegúrese de extraer la batería de su compartimiento y retirar la llave de seguridad. De lo contrario, podría sufrir lesiones corporales serias.

REEMPLAZO DE LA CUCHILLA

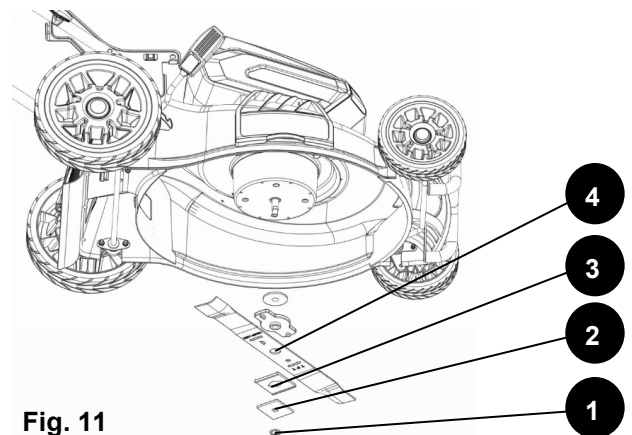
Ve a la figura 11

NOTA: Solo utilice cuchillas de repuesto idénticas.

- Detenga el motor y extraiga la llave de seguridad. Permita que la cuchilla se detenga por completo. Extraiga la batería de su compartimiento.
- Gire la cortadora sobre su costado.
- Introduzca a presión un bloque de madera entre la cuchilla y la plataforma de la cortadora para evitar que la cuchilla gire.
- Afloje la tuerca de la cuchilla (1) con una llave inglesa o de boca tubular (no se suministra). Gire la tuerca en sentido **CONTRARIO A LAS AGUJAS DEL RELOJ** para aflojarla.
- Retire la tuerca de la cuchilla (1), el espaciador (2), el aislante de cuchilla (3) y la cuchilla (4).
- Para volver a instalar la cuchilla, colóquela con los bordes de corte hacia el piso. Vuelva a colocar el aislante de cuchilla y el espaciador; luego, enrosque la tuerca de la cuchilla en el eje y ajústela con los dedos.

NOTA: Asegúrese de volver a colocar todas las piezas en el orden exacto en que fueron retiradas. Al instalar la cuchilla, verifique que esté instalada con los extremos curvos orientados hacia la plataforma de la cortadora, y no hacia el suelo.

- Apriete la tuerca de la cuchilla en sentido **HORARIO** con una llave de torsión (no suministrada) para asegurar que el perno esté ajustado correctamente. La fuerza de torsión recomendada para la tuerca de la cuchilla es de 350-400 lb-pulg.



MANTENIMIENTO

AFILADO DE LA CUCHILLA

Vea la figura 12

Para lograr un desempeño de corte óptimo, la cuchilla de la cortadora debe mantenerse afilada. Una cuchilla desafilada no corta el césped uniformemente y sobrecarga el motor. En circunstancias normales, afilar la cuchilla dos veces durante la temporada de corte suele ser suficiente. Sin embargo, si su césped tiene suelo arenoso, puede ser necesario afilarla con más frecuencia.

- Siga las instrucciones de la sección **Reemplazo de la cuchilla y retire la cuchilla de la cortadora**. NO intente afilar la cuchilla cuando está unida a la cortadora.

⚠ ADVERTENCIA:

Al retirarla, inspeccione la cuchilla con cuidado. Si está doblada o dañada, reemplácela inmediatamente por una nueva. No reemplazar una cuchilla doblada o dañada puede causar un accidente y, como consecuencia, posibles lesiones serias.

- Con una lima de diente fino o una piedra, afile los bordes de corte a ambos extremos de la cuchilla, eliminando igual cantidad de material de ambos extremos.

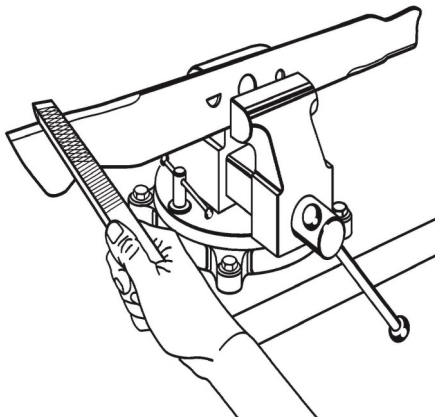


Fig. 12

EQUILIBRIO DE LA CUCHILLA

Vea la figura 13

Al afilarla, debe tenerse cuidado de mantener el equilibrio de la cuchilla. Una cuchilla desequilibrada causará una vibración excesiva cuando la cortadora esté funcionando. Esta vibración finalmente dañará la cortadora, especialmente el motor.

Para revisar el equilibrio de la cuchilla:

- Sujete horizontalmente un destornillador con una prensa, como se muestra.

NOTA: Si no dispone de ninguna prensa, también puede usar un clavo recto.

- Coloque el orificio central de la cuchilla en la pala del destornillador (o clavo).

- Si la cuchilla está equilibrada, permanecerá en posición horizontal. Si algún extremo de la cuchilla se cae, afile el lado más pesado hasta que la cuchilla esté equilibrada.

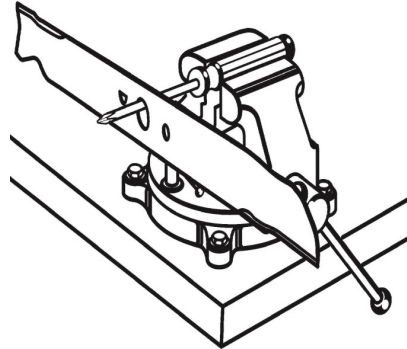


Fig. 13

REEMPLAZO DE RUEDAS

Vea la figura 14

Para reemplazar una rueda:

- Detenga el motor y extraiga la llave de seguridad. Extraiga la batería de su compartimiento.
- Gire la cortadora sobre su costado.
- Con un destornillador de punta plana, abra la tapa del cubo (1).
- Retire la tuerca autoblocante (2) del eje de la rueda (3), y quite la rueda (4).
- Instale la rueda nueva, coloque la tuerca autoblocante nueva (2) y ajuste bien.
- Vuelva a colocar la tapa del cubo (1).

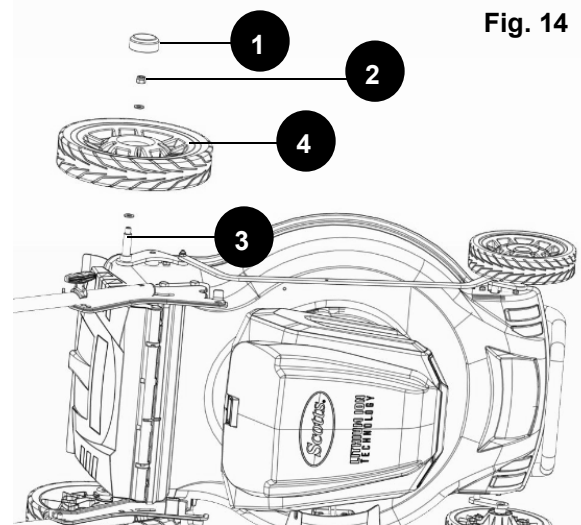


Fig. 14

MANTENIMIENTO DE LA BATERÍA

Cuando no se utilice la cortadora, se recomienda cargarla cada tres meses para lograr un rendimiento óptimo. Si la batería estuvo guardada por un largo tiempo sin haber sido cargada, estará con poca carga.

MANTENIMIENTO

GUARDADO DE LA CORTADORA

- Retire la llave de seguridad y la batería, y guárdalas en un lugar seguro fuera del alcance de los niños.
- Antes de guardar, limpie el polvo o los residuos del área de la batería.
- Gire la cortadora sobre su costado y limpie los recortes de pasto que se acumularon en la parte inferior de la plataforma.
- Limpie la cortadora con un paño seco.
- Verifique que todos los pernos, tuercas, perillas, tornillos, sujetadores, etc. estén bien ajustados.
- Inspeccione las piezas móviles para verificar si hay daños, rupturas y desgaste. Haga reparar todas las piezas dañadas o faltantes.
- Guarde la cortadora en un lugar seco, limpio y fuera del alcance de los niños.
- No la guarde cerca de materiales corrosivos como fertilizantes o sal gema.

Para almacenar la podadora en posición horizontal:

Vea la figura 15

- Jale las perillas T (3) a los lados de las manijas inferiores (1) y gírelas 90 grados.
- Con cuidado, gire las manijas inferiores (1) hacia la parte frontal de la cortadora.
- Afloje completamente las perillas de bloqueo de la cámara (2) a los lados de la manija y pliegue la manija superior hacia abajo, asegurándose de no doblar o torcer el cable de corriente.

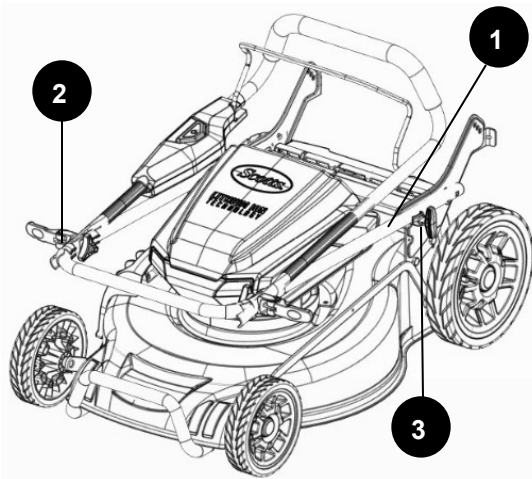


Fig. 15

Para

almacenar la podadora en posición vertical:

Vea las figuras 15-16

- Quite la bolsa para césped.
- Jale las perillas T (3) hacia afuera a los lados de las manijas inferiores (1) y gírelas 90 grados.
- Con cuidado, gire las manijas inferiores (1) hacia la parte frontal de la cortadora, gire las perillas T (3) 90 grados hacia atrás y siga girando la manija (1) hasta que escuche y sienta que el pasador de bloqueo se activa en la posición de almacenamiento bloqueada.

- Cuando se la almacene en posición vertical, el mango superior se puede almacenar ya sea, elevado o plegado.
- Para bajar la manija superior, afloje completamente las perillas de bloqueo de la cámara (2) a los lados de la manija y pliegue la manija superior hacia abajo, asegurándose de no doblar o torcer el cable de corriente.

NOTA: Asegúrese de que los pasadores de las perillas de ajuste del mango estén completamente asentados en los orificios de fijación antes de intentar levantar la podadora hasta la posición de pie.

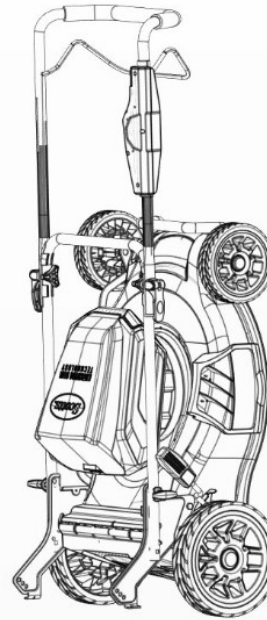
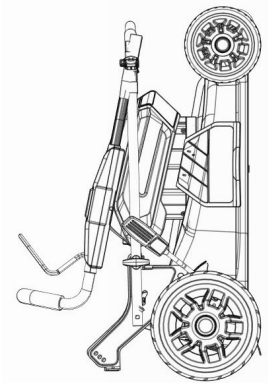


Fig. 16



⚠ ADVERTENCIA:

TENGA SUMA PRECAUCIÓN AL PLEGAR EL MANGO. SE PUEDE DAÑAR EL CABLE SI QUEDA ATRAPADO ENTRE LAS SECCIONES DEL MANGO, LO QUE PRODUCIRÍA UN RIESGO PARA SU SEGURIDAD.

⚠ ADVERTENCIA:

CUANDO SE PLEGUE EL MANGO, NO INTENTE ENCENDER LA CORTADORA. AL ALMACENAR LA CORTADORA EN LA POSICIÓN VERTICAL, POSICIÓN LA CORTADORA DE MANERA QUE LA CUCHILLA ESTÉ ENFRENTA A UNA PARED. EL INCUMPLIMIENTO DE ESTAS ADVERTENCIAS PUEDE LLEVAR A UNA LESIÓN PERSONAL GRAVE.

⚠ ADVERTENCIA:

SI LA CORTADORA CAE EN LA POSICIÓN VERTICAL, DAÑOS A LA CORTADORA O LESIONES PERSONALES PUEDEN RESULTAR. MANTENER SIEMPRE EL CORTADORA ESTABLE Y FUERA DEL ALCANCE DE LOS NIÑOS CUANDO ESTÁ EN LA POSICIÓN VERTICAL. SI ES POSIBLE, PONGA HORIZONTAL PARA EL ALMACENAMIENTO.

SOLUCIÓN DE PROBLEMAS

Problema	Posibles causas	Solución
El cortacésped no arranca.	<p>La llave de seguridad no está insertada en la ranura.</p> <p>La batería está agotada.</p> <p>La batería no está colocada en el cortacésped.</p> <p>La batería está en el lado equivocado.</p> <p>Los circuitos de la batería o del cortacésped están demasiado calientes.</p> <p>El asa no está en una de las posiciones de funcionamiento.</p> <p>La cubierta del cortacésped está obstruida con pasto y escombros.</p>	<p>Inserte la llave de seguridad.</p> <p>Cargue la batería.</p> <p>Coloque la batería en el cortacésped.</p> <p>Mueva la batería al lado correcto del compartimiento de la batería.</p> <p>Permita que la batería o el cortacésped se enfríen.</p> <p>Ajuste el mango a una de las posiciones de funcionamiento.</p> <p>Limpié la plataforma de corte y asegúrese de que la cuchilla tenga libertad de movimiento.</p>
El cortacésped corta de manera desigual.	<p>Hoja desafilada</p> <p>La altura de corte no está ajustada correctamente.</p> <p>La cuchilla está montada incorrectamente.</p>	<p>Afile o reemplace la cuchilla.</p> <p>Ajuste la cuchilla a un ajuste más alto.</p> <p>Vuelva a montar la cuchilla, siguiendo la sección "Reemplazo de la cuchilla de corte" en este manual.</p>
El cortacésped se detiene mientras corta el césped.	<p>La batería está agotada.</p> <p>El cortacésped está en condiciones de sobrecarga.</p> <p>La cubierta del cortacésped está obstruida con pasto y escombros.</p> <p>Los circuitos de la batería o del cortacésped están demasiado calientes.</p>	<p>Cargue la batería.</p> <p>Aumente la altura de corte o disminuya la velocidad de corte.</p> <p>Desatasca la plataforma del cortacésped. Levante la altura de corte, o corte una franja estrecha.</p> <p>Permita que la batería o el cortacésped se enfríen.</p>
El cortacésped no se aplasta correctamente.	<p>Los recortes de hierba húmeda se adhieren a la parte inferior de la cubierta.</p> <p>El dispositivo de triturado no está colocado.</p> <p>El cortacésped está preparado para cortar demasiada hierba.</p>	<p>Espere hasta que la hierba se seque antes de cortar el césped.</p> <p>Instale el dispositivo de triturado.</p> <p>Ajuste la cuchilla a un ajuste más alto.</p>
Vibración excesiva.	<p>La cuchilla de corte está suelta.</p> <p>La cuchilla de corte está desequilibrada.</p> <p>Cuchilla de corte doblada.</p> <p>Eje del motor doblado.</p>	<p>Apretar el tornillo de la cuchilla.</p> <p>Equilibre la cuchilla siguiendo las instrucciones.</p> <p>Reemplace la cuchilla.</p> <p>Comuníquese con el centro de servicio al 1-800-618-7474.</p>
El mango no está bien encajado.	<p>Los pernos con cabeza redonda no están asentados adecuadamente.</p> <p>Las perillas del mango no están ajustadas.</p>	<p>Ajuste la altura del mango y asegúrese de que los pernos con cabeza redonda estén asentados correctamente.</p> <p>Ajuste las perillas del mango.</p>

PIEZAS Y SERVICIO

Para solicitar repuestos o servicio técnico, llame al 1-800-618-7474 o visite nuestra página scotts.americanlawnmower.com. Asegúrese de proporcionar toda la información relevante cuando nos llame o visite.

REPUESTOS (KITS / ARTÍCULOS)

El número de modelo/ de serie de esta herramienta se encuentra en una placa o etiqueta adjunta a la caja. Registre el número de serie en el espacio provisto a continuación.

MODELO N.º 61940S

NÚMERO DE SERIE _____

Mencione siempre el serial del modelo cuando ordene kits para el mismo.

N.º	Número de kit/ Número de artículo	Descripción
1	LM62-HDW-1	Kit de hardware de la manija
2	LM62-FWK-2	Kit de rueda delantera
3	LM62-RWK-2	Kit de rueda trasera
4	LM62-HA-1	Kit de ajuste de altura de rueda
5	LM19-BK-1	Kit de cuchillas de cortadora
6	LM62-RDK-1	Kit de cubierta trasera
7	LM62-SDD-1	Cubierta de descarga lateral
8	LM62-SDC-1	Deflector de descarga lateral
9	LM62-MP-1	Dispositivo de triturado
10	LM62-KEY-1	Kit de llave de seguridad
11	LM62-GC-1	Kit de receptor de hierba
12	LM62-RFK-1	Kit de solapa trasera
13	BL85040	Batería 40V 5.0Ah
14	CHL84000	Cargador 40V

¡LLÁMENOS PRIMERO!

Si tiene preguntas sobre el funcionamiento o el mantenimiento de su producto al 1.800.618.7474, de 8:00 a 17:00, hora estándar del este, o obtener asistencia en scotts.americanlawnmower.com.



MANUAL DEL OPERARIO

48,3 cm (19 pulg.) - 40 VOLTIOS CORTADORA SIN CABLE CON BATERÍA DE IONES DE LITIO

Batería de litio 5,0 Ah

Copyright. Todos los derechos reservados.

Modelo 61940S

GARANTÍA

Política de garantía de Scotts

- **Garantía limitada de 4 años** para todas las herramientas eléctricas de iones de litio de 40 V Scotts a partir de la fecha de compra cuando se utilizan para uso personal, doméstico o familiar.
- **Garantía limitada de 4 años** para todas las baterías y cargadores de iones de litio de 40 V Scotts a partir de la fecha de compra cuando se utilizan para uso personal, doméstico o familiar.

The Great States Corp. (GSC) garantiza al propietario original que este producto y pieza de servicio Scotts están libres de defectos de materiales y mano de obra y acepta reparar o reemplazar cualquier producto o pieza defectuosa durante el período de garantía indicado anteriormente.

- La garantía queda anulada si se utiliza con fines comerciales o industriales o cualquier otro uso inadecuado según lo determine GSC.
- La garantía no incluye las reparaciones necesarias debido al abuso o negligencia del operador (incluyendo la sobrecarga del producto más allá de su capacidad o la inmersión en agua), o la falta de montaje, operación, mantenimiento o almacenamiento del producto de acuerdo con las instrucciones del manual del propietario.
- Esta garantía no cubre
 - ◇ Elementos de desgaste, incluyendo pero no limitado a: correas y engranajes de transmisión, púas, cuchillas de cortadoras, hojas de segadora, cadenas de motosierra, hojas de trituración, ventiladores, cubiertas de carretes, hilo de desbrozadora, tubos de soplador y de vacío, barras guía, mangueras de alta presión, ruedas, manijas, barrenas, bolsas desgastadas, cables de alimentación y otros elementos que se someten a desgaste a lo largo del tiempo.
 - ◇ Desgaste de las baterías, incluyendo pero no limitado a: caídas, desgaste y rotura del cargador, exposición a oscilaciones extremas de temperatura (caliente o fría), batería dejada en el cargador demasiado tiempo, batería dejada sin cargar por demasiado tiempo, y mal uso o abuso de la batería.
- Esta garantía no cubre los daños causados por el frío, el calor, la lluvia, el exceso de humedad u otras condiciones ambientales extremas.
- Esta garantía no cubre el deterioro normal del acabado exterior ni el desgaste normal de los productos, incluidos, entre otros, los arañazos, grietas, abolladuras o daños causados por productos químicos externos.
- Esta garantía no es transferible y sólo se aplica a productos nuevos vendidos directamente por un distribuidor autorizado. Esta garantía no se aplica a ningún producto, nuevo o usado, comprado a través de canales de terceros no autorizados. Para obtener información sobre distribuidores autorizados, comuníquese con nuestra línea de ayuda de asistencia al cliente llamando al 1-800-618-7474 (de lunes a viernes, de 8 a. m. a 5 p. m., hora del este).
- Cualquier pérdida, daño o gasto incidental, indirecto o consecuente que pueda derivarse de cualquier defecto o mal funcionamiento de los productos no está cubierto por la garantía.
- La garantía no incluye la instalación, el montaje o los ajustes normales que se explican en el manual del operador. Los gastos de entrega del producto al vendedor y los gastos de devolución del producto o de las piezas de recambio al propietario no están cubiertos por la garantía.

Limitaciones adicionales de la garantía

Algunos estados no permiten la exclusión o limitación respecto de la duración de una garantía implícita; por lo tanto, es posible que las limitaciones enunciadas anteriormente no le correspondan. Los productos vendidos con averías o incompletos, vendidos en las condiciones que se encuentren, o vendidos como reacondicionados no están cubiertos por la garantía.

Daños ni inconvenientes causados por envío, manipulación inadecuada, instalación incorrecta, voltaje incorrecto, cableado incorrecto, mantenimiento deficiente, modificaciones inadecuadas o el uso de accesorios o dispositivos de sujeción no recomendados específicamente no están cubiertos por la garantía.

Todos los reclamos de garantía deben estar acompañados de un comprobante de compra, recibo de compra original con fecha. Para reclamos vaya a scotts.americanlawnmower.com o llame a nuestra línea de ayuda de asistencia al cliente al 1-800-618-7474 de lunes a viernes, de 8 a. m. a 5 p. m., hora del este.



American Lawn Mower Company
The Great States Corporation
7444 Shadeland Station Way
Indianapolis, IN 46256
Estados Unidos
Teléfono 1-800-618-7474
scotts.americanlawnmower.com

Con el compromiso constante de mejorar la calidad, el fabricante se reserva el derecho de modificar los componentes o diseñar cambios cuando lo considere necesario.

Rev 12/08/18



MANUEL DE L'UTILISATEUR

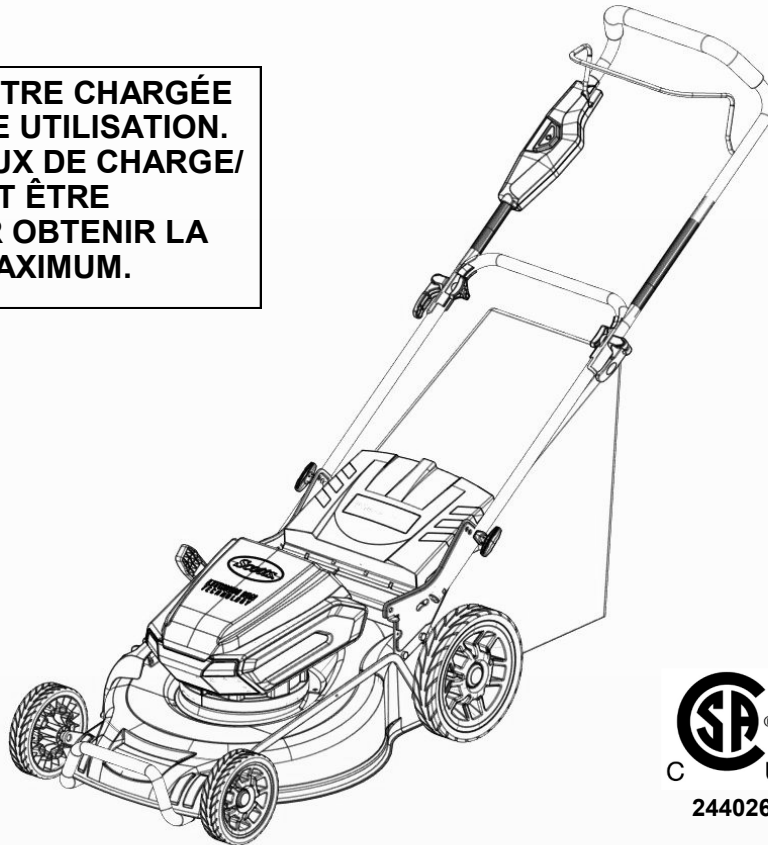
48,3 cm (19 po) - 40 VOLTS TONDEUSE SANS FIL À BATTERIE LITHIUM-ION

Batterie lithium-ion de 5,0 Ah

Copyright. Tous droits réservés.

Modèle 61940S

LA BATTERIE DOIT ÊTRE CHARGÉE AVANT LA PREMIÈRE UTILISATION. 2 À 3 CYCLES INITIAUX DE CHARGE/ DÉCHARGE PEUVENT ÊTRE NÉCESSAIRES POUR OBTENIR LA DURÉE/CAPACITÉ MAXIMUM.



Chargeur conforme à CA est inclus (Modèle n° CHL84000)

Votre tondeuse a été conçue et fabriquée selon nos normes élevées de fiabilité, de facilité d'utilisation et de sécurité de l'utilisateur. Correctement entretenue, elle vous procurera des années de service intensif et sans souci.



AVERTISSEMENT : Afin d'éviter de se blesser, l'utilisateur doit lire et comprendre le manuel de l'utilisateur avant d'utiliser ce produit.

Merci pour votre achat.

NE RENVOYEZ PAS CE PRODUIT AU MAGASIN. AVEZ-VOUS DES QUESTIONS CONCERNANT LE FONCTIONNEMENT, L'ASSEMBLAGE, LES PIÈCES OU LA RÉPARATION DU PRODUIT? ALLER À SCOTTS.AMERICANLAWNMOWER.COM OU COMPOSEZ LE 1-800-618-7474 DE 8 h 00 à 17 h 00, HEURE DE L'EST, POUR TOUTE ASSISTANCE.

CONSERVEZ CE MANUEL POUR POUVOIR LE CONSULTER ULTÉRIEUREMENT

TABLE DES MATIÈRES

• Introduction.....	2
• Instructions importantes concernant la sécurité	3-5
• Symboles.....	6
• Caractéristiques.....	7-8
• Assemblage.....	8-10
• Utilisation	11-12
• Charger la batterie	13
• Maintenance	14-16
• Dépannage	17
• Pièces et service	18
• Notes	19
• Garantie.....	Endos

INTRODUCTION

Ce produit contient plusieurs caractéristiques pour rendre son utilisation plus agréable et intéressante. La sécurité, la performance et la fiabilité ont été prioritaires lors de la conception de ce produit, le rendant facile d'entretien et d'utilisation.

Reportez-vous à la plage de température ambiante recommandée pour l'utilisation et le stockage de l'appareil et de la batterie, ainsi que pour le système de charge pendant la charge.

	Plage de température ambiante recommandée
Opération de tondeuse	5 °C - 40 °C (41 °F - 104 °F)
Stockage de la tondeuse	0 °C - 38 °C (32 °F - 100 °F)
Batterie en charge	4 °C - 40 °C (39 °F - 104 °F)
Fonctionnement du chargeur	4 °C - 40 °C (39 °F - 104 °F)
Stockage de la batterie	0 °C - 40 °C (32 °F - 104 °F) pendant 3 mois avant de charger est nécessaire.
Décharge de la batterie	0 °C - 40 °C (32 °F - 104 °F)



AVERTISSEMENT :

Afin d'éviter les blessures graves, n'essayez pas d'utiliser ce produit avant d'avoir lu et entièrement compris le manuel de l'utilisateur. Si vous ne comprenez pas les avertissements et les instructions dans le manuel de l'utilisateur, n'utilisez pas ce produit. Appelez le service à la clientèle Scotts pour obtenir de l'aide.



AVERTISSEMENT :



L'utilisation de tout outil électrique peut entraîner la projection de corps étrangers dans les yeux, aboutissant en de graves dommages oculaires. Avant de commencer l'utilisation de l'outil électrique, portez toujours des lunettes de sécurité avec des écrans latéraux et, si besoin est, un écran facial complet. Nous recommandons l'écran facial à vision élargie pour être utilisé sur des lunettes ou des lunettes de sécurité standards avec écrans latéraux. Portez toujours une protection oculaire qui est marquée conforme avec la norme ANSI Z87.1.

CONSERVEZ CES INSTRUCTIONS

INSTRUCTIONS IMPORTANTES CONCERNANT LA SÉCURITÉ

AVERTISSEMENT :

LISEZ ET COMPRENEZ TOUTES LES INSTRUCTIONS

Le non-respect des instructions indiquées ci-dessous et sur l'appareil peut entraîner des chocs électriques, un incendie et/ou des blessures graves.

INSTRUCTIONS DE SÉCURITÉ POUR LES TONDEUSES À OPÉRATEUR À PIED

IMPORTANT - Pratiques sécuritaires pour les tondeuses à opérateur à pied

Cette machine est capable d'amputer les mains et les pieds et de projeter des objets au loin. Le non-respect des instructions de sécurité suivantes peut entraîner des blessures graves, voire mortelles.

I. RENSEIGNEMENTS GÉNÉRAUX

1. Lisez, comprenez et suivez les instructions et les avertissements contenus dans ce manuel et sur la machine, le moteur et les accessoires.
2. Permettez l'utilisation de la machine seulement par des opérateurs responsables, formés, familiers avec les instructions et physiquement aptes.
3. Maintenez les autres personnes à l'écart.
4. N'utilisez pas la machine si vous êtes sous l'influence de l'alcool ou de drogues.

II. PRÉPARATION AVANT L'UTILISATION

1. Dégagez la zone de coupe de tout objet qui pourrait être projeté ou qui pourrait nuire au fonctionnement de la machine.
2. Maintenez toute autre personne, en particulier les jeunes enfants, à l'écart de la zone de coupe. Éteignez la machine et les accessoires si une personne pénètre dans la zone de coupe.
3. Évitez d'utiliser la machine sans avoir complètement mis en place le collecteur d'herbe, la goulotte d'éjection ou tout autre dispositif de sécurité et que ceux-ci soient en bon état de fonctionnement. Vérifiez fréquemment la présence de tout signe d'usure ou de détérioration et remplacez les pièces lorsque requis.
4. Portez un équipement de protection individuelle comme des lunettes de sécurité, une protection auditive et des chaussures.

III. UTILISATION

1. N'utilisez la machine qu'à la lumière du jour ou sous un bon éclairage artificiel.
2. Évitez les trous, ornières, bosses, roches ou autres dangers dissimulés. Un terrain accidenté peut renverser la machine ou faire perdre l'équilibre ou la stabilité de l'opérateur.
3. N'approchez pas les mains ou les pieds des pièces en rotation ou du dessous de la machine. Restez à l'écart de l'ouverture d'éjection en tout temps.
4. N'orientez jamais les matériaux éjectés en direction de quiconque. Évitez d'éjecter les matériaux contre un mur ou un obstacle. Les matériaux peuvent ricocher vers l'opérateur. Arrêtez le fonctionnement des lames lorsque vous traversez des surfaces de graviers.
5. Ne laissez jamais une machine en marche sans surveillance. Stationnez toujours la machine sur un sol horizontal, désengagez l'accessoire, mettez le frein de stationnement et arrêtez le moteur.
6. Ne tondez pas à reculons à moins que cela ne soit absolument nécessaire. Regardez toujours vers le bas et derrière avant et lorsque vous reculez.

IV. INSTRUCTIONS SPÉCIFIQUES AUX ENFANTS

1. Des accidents tragiques peuvent se produire si l'opérateur n'est pas conscient de la présence d'enfants. Très souvent, la machine et son activité attirent les enfants. Ne présumez pas que les enfants demeureront à l'endroit où vous les avez vus la dernière fois.
2. Tenez les enfants à l'écart de la zone de coupe et sous la surveillance vigilante d'un adulte responsable autre que l'utilisateur de la machine.

V. INSTRUCTIONS SPÉCIFIQUES AUX PENTES

Les pentes sont un facteur important associé aux accidents. L'utilisation de la machine sur des pentes exige une plus grande prudence.


1. Déplacez-vous sur les pentes dans le sens recommandé par le fabricant. Soyez prudent lors de l'utilisation près de points de chute.
2. Évitez de tondre l'herbe mouillée. (Une mauvaise stabilité peut entraîner un glissement et un accident.)
3. N'utilisez pas la machine sous toute condition où la traction, la conduite ou la stabilité sont en jeu. Les pneus peuvent glisser même si les roues sont à l'arrêt.
4. Maintenez toujours la machine en marche lors de la descente de pentes. Ne descendez pas les pentes en roue libre.
5. Évitez tout démarrage et arrêt en pente. Évitez les changements soudains de vitesse ou de direction. Tournez lentement et graduellement.
6. Soyez très prudent lors de l'utilisation de la machine avec un sac à herbe ou tout autre accessoire. Ils peuvent déstabiliser la machine.

VI. TRANSPORT

1. Utilisez des rampes de largeur pleine lors du chargement et déchargement de la machine pour son transport.


VII. RÉPARATION


1. Conservez la machine en bon état de fonctionnement. Remplacez les pièces usées ou endommagées.
2. Soyez prudent lors de l'entretien des lames. Enroulez les lames ou portez des gants. Remplacez toute lame endommagée. Ne réparez pas ni ne modifiez les lames.
3. Enlevez ou débranchez la batterie avant tout entretien ou toute réparation.

 **AVERTISSEMENT :** L'État de la Californie considère que des poussières et débris créés par l'utilisation de cet outil sont susceptibles de contenir des produits chimiques qui sont cancérigènes et à l'origine de malformations congénitales ou d'autres troubles de l'appareil reproducteur. Voici certains exemples de tels produits chimiques :

- * les produits chimiques contenus dans les engrais
- * les composés contenus dans les insecticides, les herbicides et les pesticides
- * l'arsenic et le chrome du bois traité chimiquement

Votre risque d'exposition à ces produits chimiques varie en fonction de la fréquence à laquelle vous effectuez ce type de travail. Afin de réduire l'exposition à ces produits chimiques, travaillez dans un endroit bien aéré et portez un équipement de sécurité homologué, comme un masque anti-poussière spécialement conçu pour filtrer les particules microscopiques.

 **AVERTISSEMENT :** Proposition 65 de l'État de la Californie : L'État de la Californie considère que certains produits chimiques contenus dans cet appareil sont à l'origine de cancers, de malformations congénitales et d'autres troubles de l'appareil reproducteur.

 **AVERTISSEMENT:** Cancer ET Troubles de l'appareil reproducteur - www.P65Warnings.ca.gov.

INSTRUCTIONS IMPORTANTES CONCERNANT LA SÉCURITÉ

- Évitez les environnements dangereux - N'utilisez pas la tondeuse dans un environnement humide et ne l'utilisez pas sous la pluie.
- Maintenez la zone libre de passants, d'enfants et d'animaux lorsque vous tondez la pelouse. Éteignez l'appareil si quiconque pénètre dans la zone de coupe.
- Porter une tenue appropriée - Ne portez pas de vêtements amples ou de bijoux lorsque vous tondez. Ceux-ci risquent en effet d'être happés par les pièces en mouvement. L'utilisation de gants en caoutchouc et de chaussures de protection est recommandée pour les travaux à l'extérieur.
- Ne pas travailler hors de portée - Conservez une prise de pied ferme et un bon équilibre. N'essayez pas d'atteindre trop loin. Essayez d'atteindre trop loin peut entraîner une perte d'équilibre.
- N'utilisez pas la tondeuse lorsque vous êtes pieds nus ou si vous portez des sandales ou des chaussures légères. Utilisez des chaussures de protection qui protégeront vos pieds et qui amélioreront votre prise de pied sur les surfaces glissantes.
- Porter des lunettes de sécurité - Portez toujours des lunettes de sécurité avec des écrans latéraux. Les lunettes ordinaires n'ont que des lentilles résistantes aux impacts. Ce ne sont PAS des lunettes de sécurité. Respecter cette règle réduira les risques d'une blessure oculaire. Portez un masque facial si l'environnement est poussiéreux.
- Portez des lunettes de sécurité avec une marque de conformité à la norme ANSI Z87.1 lorsque vous utilisez la tondeuse.
- Utilisez le bon appareil. N'utilisez pas la tondeuse pour réaliser un travail pour lequel elle n'est pas conçue.
- Ne forcez pas la tondeuse. La tondeuse fonctionne mieux et de façon plus sûre à la vitesse pour laquelle elle a été conçue.
- Restez vigilant, gardez à l'œil ce que vous faites et faites preuve de bon sens lorsque vous utilisez la tondeuse. N'utilisez pas la tondeuse si vous êtes fatigué ou sous l'influence de médicaments, de drogues ou d'alcool. Lors de l'utilisation de la tondeuse, un moment d'inattention peut entraîner des blessures graves.
- Faire l'entretien de la tondeuse avec soins - Conservez l'appareil en bon état de fonctionnement. Conservez les lames aiguisées et tous les déflecteurs en place et en bon état de marche.
- Vérifiez régulièrement qu'aucun écrou, boulon ou vis ne se soit desserré, afin d'être certain que la tondeuse ne présente pas de danger.
- Éteignez le moteur, retirez la clé de contact et attendez l'arrêt complet des lames avant de nettoyer la tondeuse, d'enlever le bac à herbe, de déboucher l'ouverture d'éjection, ou effectuer des réparations ou des inspections.
- Lorsqu'elle n'est pas utilisée, la tondeuse doit être rangée à l'intérieur dans un endroit fermé à clé et hors de portée des enfants.
- Toujours, utiliser des dispositifs de protection. Évitez d'utiliser la tondeuse sans avoir mis en place la protection d'éjection du bac à herbe, la protection arrière ou tout autre dispositif de protection en bon état de fonctionnement.
- Respectez les instructions du fabricant pour l'utilisation et l'installation adéquate des accessoires. Utilisez seulement des accessoires approuvés par le fabricant.
- Ne tondez pas sur de la pelouse mouillée ou sur des pentes excessivement inclinées. Une mauvaise prise de pied peut entraîner un glissement et un accident. Marchez, ne courez pas.
- Soyez très prudent lorsque vous approchez de virages sans visibilité, d'arbustes, d'arbres ou d'autres objets qui peuvent bloquer votre vue.
- Dégagez l'espace de travail avant chaque utilisation. Retirez tous les objets comme les roches, les bâtons, les fils, les os, les jouets et tout autre objet pouvant être projeté au loin par la lame. Demeurez derrière la poignée lorsque le moteur est en marche.
- Ne tondez pas près de points de chute, fossés ou digues.
- Tondez le long de la face des pentes, jamais de haut en bas. Soyez très prudent lorsque vous changez de direction sur une pente.
- Planifiez votre chemin de tonte pour éviter l'éjection de matériaux vers les routes, les trottoirs, les passants, etc. De plus, évitez l'éjection des matériaux contre un mur ou un obstacle, ce qui pourrait entraîner le rebond de ces matériaux vers vous.
- Ne tirez pas la tondeuse vers l'arrière à moins que cela ne soit absolument nécessaire. Si vous devez reculer la tondeuse depuis un mur ou un obstacle, regardez d'abord vers le bas et vers l'arrière pour éviter de trébucher.
- Les objets frappés par la lame de la tondeuse peuvent entraîner des blessures graves. La tondeuse doit toujours être examinée avec soin et libérée de tout objet avant chaque utilisation.
- Si la tondeuse frappe un objet inconnu, suivez ces étapes :
 - * Arrêtez la tondeuse et relâchez le fil de contrôle du contacteur.
 - * Retirez la clé de contact.
 - * Inspectez soigneusement la tondeuse pour tout dommage possible.
 - * Réparez les dommages avant de redémarrer et de poursuivre l'utilisation de la tondeuse.
- Éteignez le moteur, retirez la clé de contact et attendez que la lame s'arrête complètement avant de retirer le receveur d'herbe ou de déboucher l'évacuation. Prenez note que la lame de coupe continue de tourner pendant quelques secondes après l'arrêt du moteur. Ne mettez jamais toute partie du corps dans la zone de la lame à moins que vous ne soyez certain que la lame ait arrêté de tourner.
- Si la tondeuse se met à vibrer de façon anormale, éteignez immédiatement le moteur et recherchez la cause des vibrations. La présence de vibrations est généralement un signe de problème.
- L'entretien de ce produit doit être confié exclusivement à du personnel de réparation qualifié. Les opérations de réparation ou de maintenance réalisées par un personnel non qualifié pourraient provoquer des blessures à l'utilisateur ou des dommages au produit.
- Utilisez seulement des pièces de rechange identiques lorsque vous faites l'entretien du produit. L'utilisation de pièces non autorisées peut générer un risque de blessures graves pour l'utilisateur ou de dommages au produit.
- Remplacer la lame si elle est pliée ou fissurée. Une lame déséquilibrée provoque des vibrations qui peuvent endommager le moteur de l'appareil et provoquer des blessures. Affûtez également les extrémités de la lame émoussée afin de maintenir l'équilibre. Nettoyer complètement la lame et vérifier son équilibre en la déposant à l'horizontale et en plaçant l'orifice du centre sur un petit clou. Le clou doit être placé à l'horizontale. Si l'une des extrémités de la lame tourne vers le bas, enlever un peu de métal de la partie épaisse inférieure de la lame jusqu'à ce que celle-ci soit équilibrée. Une lame équilibrée lorsqu'aucune extrémité n'est inclinée.
- L'assemblage du collecteur d'herbe peut se détériorer et s'user et doit être vérifié chaque fois avant d'utiliser la tondeuse à gazon. S'il doit être remplacé, s'assurer que le nouveau collecteur d'herbe répond aux exigences et aux spécifications du fabricant d'origine.
- Conserver ou remplacer les étiquettes d'instructions de sécurité, si nécessaire.
- Ranger les appareils qui ne sont pas utilisés à l'intérieur - lorsque la tondeuse n'est pas utilisée, le ranger à l'intérieur dans un endroit sec et verrouillé hors de la portée des enfants. Retirer la clé de démarrage et la ranger dans un endroit situé hors de la portée des enfants.
- Suivre les instructions de lubrification et de changement d'accessoires.
- Ne jamais faire fonctionner l'appareil dans un endroit clos.
- Ne jamais modifier les dispositifs de sécurité. Vérifier périodiquement l'état de fonctionnement.
- N'essayez jamais de régler la hauteur de la roue lorsque le moteur est en marche.
- Ne pas laver avec un tuyau; évitez d'avoir de l'eau dans les connexions moteur et électriques.

INSTRUCTIONS IMPORTANTES CONCERNANT LA SÉCURITÉ






RÈGLES DE SÉCURITÉ POUR LA BATTERIE ET LE CHARGEUR

- Empêcher les démarrages involontaires. Assurez-vous que l'interrupteur est en position d'arrêt avant de brancher l'appareil sur la batterie, de prendre ou de transporter l'appareil. Porter l'appareil avec les doigts sur l'interrupteur ou l'appareil sous tension lorsque l'interrupteur est en position de marche invite aux accidents.
- Débranchez le bloc-batterie de l'appareil avant de procéder à des réglages, de changer d'accessoire ou de ranger l'appareil. De telles mesures de sécurité préventives réduisent le risque de démarrage accidentel de l'appareil.
- Rechargez uniquement avec le chargeur **Scotts 40V (CHL84000)**. Un chargeur adapté à un type de batterie peut créer un risque d'incendie s'il est utilisé avec une autre batterie.
- Utilisez des appareils uniquement avec des batteries lithium-ion **Scotts 40V (BL82040, BL85040)**. L'utilisation de toute autre batterie peut créer un risque de blessure et d'incendie. Voir le manuel du chargeur.
- Lorsque vous n'utilisez pas la batterie, gardez-la à l'écart d'autres objets métalliques, tels que des trombones, des pièces de monnaie, des clés, des clous, des vis ou tout autre petit objet métallique pouvant établir une connexion entre deux terminaux. Court-circuiter les bornes de la batterie peut provoquer des brûlures ou un incendie.
- Dans des conditions abusives, du liquide peut être éjecté de la batterie; éviter le contact. En cas de contact accidentel, rincer à l'eau. Si le liquide entre en contact avec les yeux, consultez également un médecin. Le liquide éjecté de la batterie peut provoquer une irritation ou des brûlures.
- N'utilisez pas de batterie ou d'appareil endommagé ou modifié. Les batteries endommagées ou modifiées peuvent présenter un comportement imprévisible entraînant un incendie, une explosion ou un risque de blessure.
- Ne pas exposer une batterie ou un appareil au feu ou à une température excessive. L'exposition au feu ou à une température supérieure à 130 °C (265 °F) peut provoquer une explosion.
- Suivez toutes les instructions de chargement et ne chargez pas la batterie ou l'appareil en dehors de la plage de température spécifiée dans les instructions. Une charge incorrecte ou à des températures inférieures à la plage spécifiée peut endommager la batterie et augmenter le risque d'incendie. Voir le manuel du chargeur.
- Confier les réparations à un réparateur qualifié en utilisant uniquement des pièces de rechange identiques. Cela garantira le maintien de la sécurité du produit.
- Ne modifiez pas et n'essayez pas de réparer l'appareil ou le module batterie (selon le cas), sauf si cela est indiqué dans les instructions d'utilisation et d'entretien.
- N'ouvrez pas et n'endommagez pas la (les) batterie(s). Le fluide de batterie libéré peut endommager les yeux ou la peau. Ce fluide peut être toxique si avalé.
- Manipuler les batteries avec soin pour éviter des courts-circuits avec des objets conducteurs comme des anneaux, des bracelets et des clés. La batterie ou l'objet conducteur peuvent surchauffer et causer des brûlures.
- Déconnecter le bloc-piles — Débrancher l'appareil de la source d'alimentation avant d'entreposer, d'effectuer l'entretien, transport, ou de changer les accessoires comme la lame. Ces mesures de sécurité réduisent les risques de démarrage accidentel de l'outil.
- Arrêter l'produit et retirer le bloc de piles et clé de démarrage lorsqu'il n'est pas utilisé. Attendre ou mettre l'arrêt complet du moteur et la clé de démarrage et le bloc-piles retirés de la tondeuse avant de déplacer l'produit.
- Les outils fonctionnant piles n'ayant pas besoin d'être branchés sur une prise secteur, ils sont toujours en état de fonctionnement. Tenir compte des dangers possibles lorsque l'outil n'est pas en usage et lors du remplacement des piles. Le respect de cette règle réduira les risques d'incendie, de choc électrique et de blessures graves.
- Ne pas utiliser un appareil alimenté par pile sous la pluie.
- Retirer ou débrancher la pile avant l'entretien ou le nettoyage de l'outil de jardin ou avant d'en retirer des matériaux.
- Ne pas charger l'outil sous la pluie ou dans un endroit mouillé.
- N'utilisez pas incorrectement le cordon. N'utilisez jamais le cordon pour transporter, tirer ou débrancher l'outil électrique. Conservez le cordon loin de la chaleur, de l'huile, de bords tranchants ou de pièces en mouvement. Des cordons endommagés ou entremêlés augmentent le risque de chocs électriques.
- L'utilisation d'un accessoire non recommandé ou vendu par le fabricant du chargeur de batterie peut entraîner un risque d'incendie, de chocs électriques ou de blessures. Respecter cette règle réduira les risques de chocs électriques, d'un incendie ou de blessures graves.
- Ne faites pas l'entretien de la tondeuse avec la batterie, la clé de contact ou le chargeur installé.
- N'utilisez pas le chargeur lorsque la température ambiante est au-dessus de 40 °C (104°F) ou en-dessous de 4 °C (39 °F).
- N'utilisez pas le chargeur avec un cordon ou une prise endommagée, cela pourrait provoquer un court-circuit et un choc électrique. Si le chargeur est endommagé, remplacez-le avec un chargeur identique d'un fournisseur d'entretien autorisé.
- N'utilisez pas le chargeur s'il a reçu un choc violent, s'il est tombé ou a été endommagé de toute autre manière. Amenez-le à un centre d'entretien autorisé pour une vérification électrique afin de déterminer s'il est en bon état de marche ou non.
- Débranchez le chargeur de la prise murale avant son entretien ou son nettoyage pour réduire les risques d'un choc électrique.
- Déconnectez le chargeur de l'alimentation quand il n'est pas utilisé afin d'éviter de l'endommager en cas de surtensions.
- Risque de chocs électriques. Ne touchez pas à la partie non isolée du connecteur de sortie ou à la borne non isolée de la batterie.
- N'exposez pas le chargeur à un environnement humide. Toute eau entrant dans le chargeur augmentera les risques d'un choc électrique.
- Assurez-vous que le cordon soit situé de manière à ce que personne ne marche ou ne trébuche dessus et qu'il ne subisse aucun dommage ou contrainte. Cela réduira les risques d'une chute accidentelle, qui pourrait provoquer des blessures, en plus d'endommager le cordon, ce qui pourrait entraîner un choc électrique.
- Conservez le cordon et le chargeur loin de la chaleur pour empêcher les dommages au bâti ou aux pièces internes.
- Ne permettez pas à l'essence, aux huiles, aux produits à base de pétrole d'entrer en contact avec les pièces de plastique. Ces substances contiennent des produits chimiques pouvant endommager, affaiblir ou détruire le plastique.




Conserver ces instructions. Les consulter fréquemment et les utiliser pour instruire les autres utilisateurs éventuels. Si cet outil est prêté, il doit être accompagné de ces instructions.

SYMBOLES

Certains des symboles suivants peuvent apparaître sur ce produit. Examinez-les et apprenez leur signification. Une interprétation correcte des symboles vous permettra d'utiliser ce produit plus efficacement et de façon plus sécuritaire.

SYMBOLE	NOM	APPELLATION / EXPLICATION
V	Volts	Tension
A	Ampères	Courant
Hz	Hertz	Fréquence (cycles par seconde)
W	Watt	Puissance
hrs	Heures	Heure
Gal	Gallon	Volume
qt	Pinte	Volume
	Avis de conditions mouillées	N'exposez pas à la pluie et ne l'utilisez pas dans des endroits humides.
	Lisez le manuel de l'utilisateur	Afin d'éviter de se blesser, l'utilisateur doit lire et comprendre le manuel de l'utilisateur avant d'utiliser ce produit.
	Protection oculaire	Portez toujours des lunettes de sécurité avec des écrans latéraux et, si besoin est, un écran facial complet lors de l'utilisation de ce produit.
	Avis de sécurité	Précautions concernant votre sécurité
	Choc électrique	Omettre d'utiliser la tondeuse dans des conditions sèches et de respecter les pratiques de sécurité peut entraîner un choc électrique.

Les mots-indicateurs et les significations suivants indiquent les niveaux de risque associés avec ce produit.

SYMBOLE	MOT-INDICATEUR	SIGNIFICATION
	DANGER	Indique une situation dangereuse immédiate qui, si non évitée, entraînera la mort ou des blessures graves.
	AVERTISSEMENT	Indique une situation dangereuse potentielle qui, si non évitée, peut entraîner la mort ou des blessures graves.
	MISE EN GARDE	Indique une situation dangereuse potentielle qui, si non évitée, peut entraîner des blessures mineures ou modérées.
	MISE EN GARDE	(Sans le symbole d'Avis de sécurité) Indique une situation qui peut entraîner des dommages aux biens.

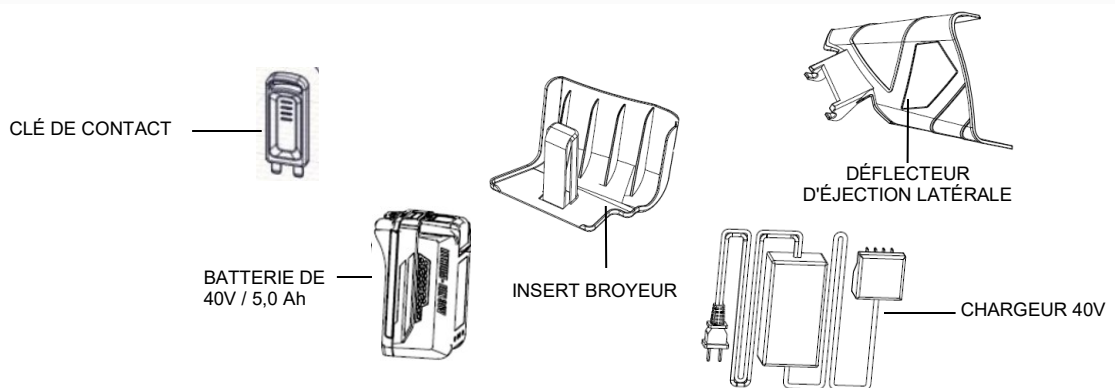
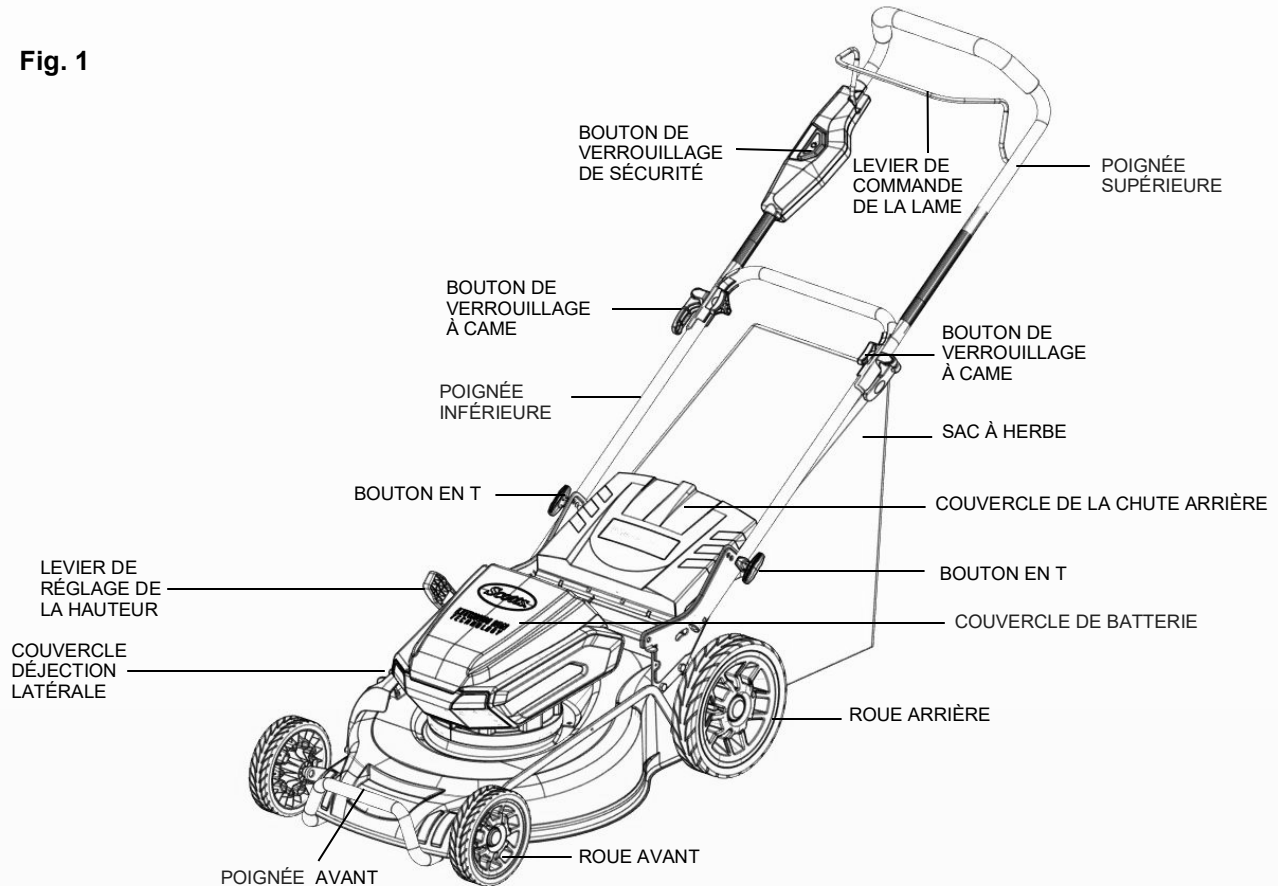
CARACTÉRISTIQUES

SPÉCIFICATIONS DU PRODUIT 61940S

*Batterie batterie lithium de 40 volts, de 5,0 Ah
 Entrée 40 V, CC uniquement
 Vitesse sans charge 2650 tours/minute (T/M)
 Durée de charge.....170 minutes

Réglages de la hauteur.....3,8 à 9,5 cm (1,5 à 3,75 po)
 Dimension de la roue.....17,8 cm (7 po) à l'avant,
 25,4 cm (10 po) à l'arrière
 Capacité du collecteur d'herbe60 litres (1.7 boisseau)
 Poids.....25 kg (55 livres)

Fig. 1



* Ce produit contient une batterie au lithium-ion rechargeable. La batterie doit être recyclée. Ne jetez pas ce produit dans le feu. La batterie dans ce produit peut exploser ou couler. Avant d'éliminer une batterie endommagée ou vide, contactez votre centre local d'élimination de déchets ou l'agence locale de protection de l'environnement pour plus d'informations et pour des instructions spécifiques. Amenez la batterie à un centre local de recyclage et/ou d'élimination des déchets. Ne jetez jamais la batterie dans une poubelle ordinaire et ne la faites pas brûler. Voir page 13 pour plus de détails.

CARACTÉRISTIQUES

CONNAÎTRE VOTRE TONDEUSE À GAZON

Voir la figure 1

L'utilisation sécuritaire de ce produit demande une compréhension des informations associées ainsi que celles contenues dans ce manuel de l'utilisateur, en plus d'une connaissance du projet que vous avez en tête. Avant d'utiliser ce produit, familiarisez-vous avec toutes les caractéristiques de fonctionnement et les règles de sécurité.

JAUGE DE BATTERIE

La jauge de batterie mesure la quantité de charge restant dans la batterie.

SAC À HERBE

Le sac à herbe empêche l'herbe coupée d'être projetée sur votre pelouse alors que vous tondez.

LEVIER DE RÉGLAGE DE LA HAUTEUR

Le levier de réglage de la hauteur permet de régler la hauteur de coupe.

ASSEMBLAGE DE COMMANDE DU MOTEUR / DE LA LAME

La commande du moteur / de la lame, située sur la poignée supérieure de la tondeuse, met en marche et arrête le moteur et la lame.

INSERT BROYEUR

Votre tondeuse est équipée d'un insert broyeur qui permet à la lame de couper deux fois l'herbe pour des coupes plus fines.

CLÉ DE CONTACT

La clé de contact doit être insérée avant que la tondeuse ne puisse être démarrée.

DÉFLECTEUR D'ÉJECTION LATÉRALE

Utilisez le déflecteur d'éjection latérale de votre tondeuse lorsque l'herbe est trop haute pour être broyée ou lorsqu'une éjection latérale est désirée. Les coupes de gazon produites lors de l'utilisation du déflecteur d'éjection latérale sont nettement plus grandes que celles produites lors de l'utilisation de l'insert broyeur.

ASSEMBLAGE

DÉBALLAGE

Ce produit requiert un assemblage.

- Enlevez avec précaution le produit et les accessoires du carton. Assurez-vous que tous les éléments figurant dans la liste du contenu soient inclus.
- Inspectez soigneusement le produit pour vous assurer que rien n'ait été cassé ou endommagé pendant le transport.
- Ne jetez pas le matériau d'emballage tant que vous n'avez pas soigneusement inspecté et utilisé le produit de façon satisfaisante.
- Si des pièces sont endommagées ou manquantes, veuillez appeler le 1-800-618-7474 pour obtenir de l'aide.

LISTE DU CONTENU

Description	Quantité
Tondeuse	1
Clé de contact	1
Insert broyeur	1
Déflecteur d'éjection latérale	1
Sac à herbe	1
Bouton de verrouillage à came	2
Batterie 40V 5,0Ah	1
Chargeur 40V	1
Manuel de l'utilisateur	1

⚠ AVERTISSEMENT :

Si des pièces sont endommagées ou manquantes, n'utilisez pas ce produit tant qu'elles ne sont pas remplacées. Le non-respect de cette consigne peut entraîner des blessures graves.

⚠ AVERTISSEMENT :

Ne tentez pas de modifier ce produit ou de créer des accessoires non recommandés pour une utilisation avec ce produit. Toute altération ou modification de ce type constitue une utilisation abusive et peut provoquer une condition dangereuse entraînant de possibles blessures graves.

⚠ AVERTISSEMENT :

N'insérez pas la clé de contact tant que l'assemblage n'est pas terminé. Le non-respect de cette consigne peut entraîner un démarrage accidentel et de possibles blessures graves.

⚠ DANGER :

Pour empêcher un démarrage accidentel, n'effectuez pas de réglage ou d'installation quelconque avec la clé de contact insérée ou les batteries installées.

⚠ AVERTISSEMENT :

N'utilisez jamais la tondeuse sans que les dispositifs de sécurité ne soient correctement en place et fonctionnels. N'utilisez jamais la tondeuse avec des dispositifs de sécurité endommagés. Le non-respect de cette consigne peut entraîner des blessures graves.

ASSEMBLAGE

Dévoilement et ajustement ensemble de poignée

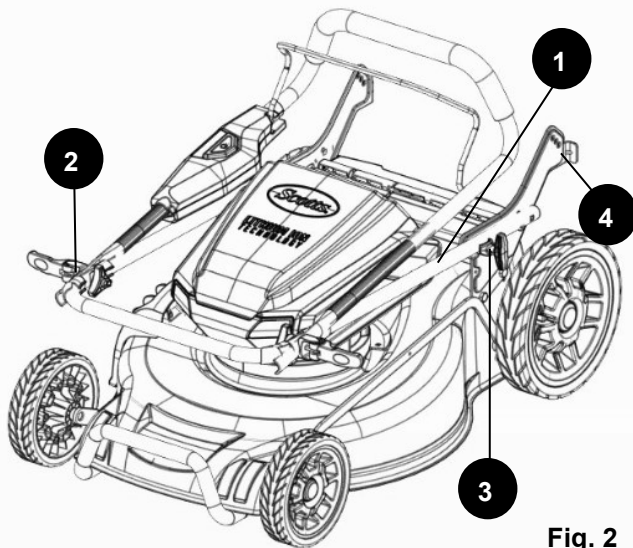
Voir la figure 2

AVERTISSEMENT Plier ou déplier la poignée de manière incorrecte peut endommager les câbles, provoquant une condition d'opération dangereuse.

- N'endommagez pas les câbles lorsque vous pliez ou dépliez la poignée.
- Si un câble est endommagé, communiquez avec un fournisseur de services autorisé.

Pour lever l'ensemble de poignée:

- Tirez vers le haut et l'arrière de la poignée inférieure (1) jusqu'à ce qu'elle soit alignée avec la position de trou du support de bras et du bâti de la tondeuse.
- Pour fixer la poignée inférieure (1) en place, tournez les boutons en T (3) de 90° jusqu'à ce que la tige de verrouillage s'engage dans une des trois positions debout verrouillées (4).
- Ouvrez les verrous à came supérieurs (2).
- Tirez vers le haut et l'arrière de la poignée supérieure pour la soulever en position d'utilisation.
- Pour fixer la poignée supérieure en place, fermez les verrous à came supérieurs (2).

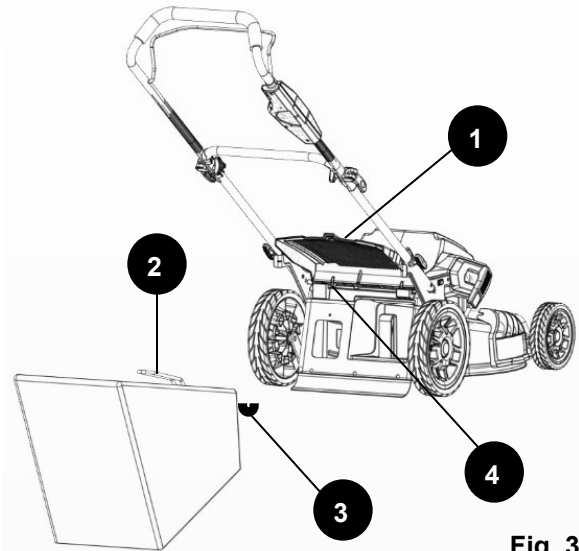


REMARQUE : Si la poignée supérieure est lâche, ou séparée de la poignée inférieure, serrez les boutons sur les verrous de la poignée supérieure en les tournant dans le sens horaire.

Installation du collecteur d'herbe (pour arrière utilisation d'ensachage)

Voir la figure 3

- Soulevez la porte d'éjection arrière (1).
- Soulevez le sac à herbe par sa poignée (2) et placez-le sous le couvercle d'éjection arrière de manière à ce que les crochets (3) sur le sac soient en place sur la tige de porte (4).
- Relâchez la porte d'éjection arrière. Lorsqu'ils sont installés correctement, les crochets sur le sac à herbe se prolongent dans les ouvertures sur la porte d'éjection arrière.



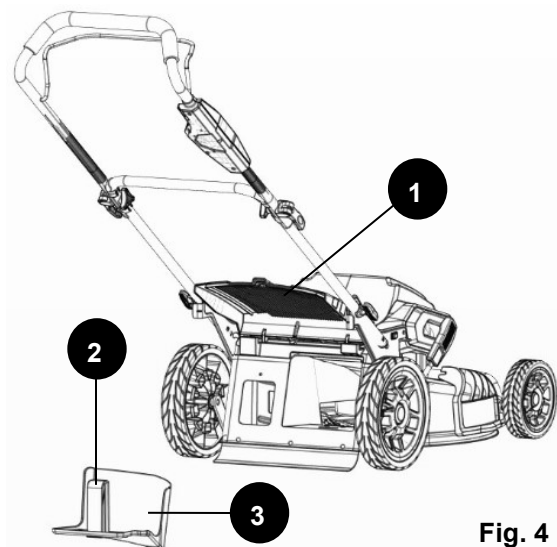
REMARQUE : Lors de l'utilisation du sac à herbe, n'installez pas le déflecteur d'éjection latérale ni l'insert broyeur.

Enlever/installer l'insert broyeur (pour le déchiquetage)

Voir la figure 4

L'insert broyeur doit être enlevé afin d'installer tout le à herbe.

- Pour enlever l'insert broyeur, soulevez la porte d'éjection arrière (1).
- Saisissez la poignée (2) de l'insert broyeur. Soulevez et sortez l'insert broyeur à l'aide de la poignée.
- L'insert broyeur (3) est introduit à un angle, donc il nécessite une certaine force pour le retirer.



L'insert broyeur doit être réinstallé lorsque le à herbe est retiré.

- Pour enlever l'insert broyeur, soulevez la porte d'éjection arrière (1).
- Saisissez la poignée (2) de l'insert broyeur. Soulevez et insérez le bouchon mulching en biais à l'aide de la poignée.

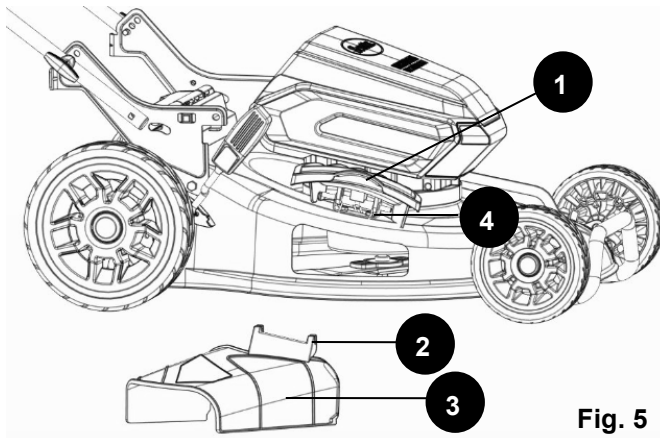
ASSEMBLAGE

REMARQUE: Lors du paillage, n'installez pas le déflecteur de décharge latérale ou le sac de ramassage d'herbe.

Installer la chute d'éjection latérale (Pour opération d'éjection latérale)

Voir la figure 5

- Soulevez le couvercle d'éjection latérale (1).
- Alignez les rainures (2) sur la chute d'éjection (3) avec les tiges (4) sur le dessous du couvercle d'éjection (1).
- Abaissez la chute d'éjection jusqu'à ce que les crochets du bâti de la tondeuse soient fixés dans les ouvertures de la chute d'éjection.
- Relâchez le couvercle d'éjection latérale.



REMARQUE : Lors de l'utilisation de l'éjection latérale, n'installez pas le collecteur d'herbe. Assurez-vous que l'insert broyeur est installé.

Installation / retrait du bloc-piles

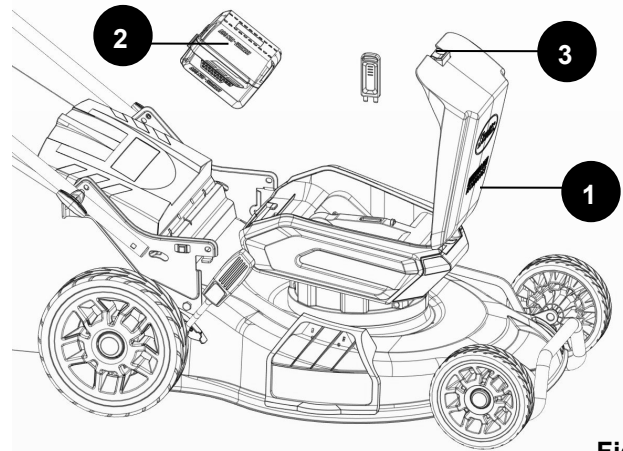
Voir la figure 6

Installer le bloc-piles:

- Levez et maintenez ouvert le couvercle de batterie (1).
- Alignez la batterie (2) avec le port de batterie de la tondeuse.
- Assurez-vous que le bouton de dégagement de la batterie (3) s'enclenche en place et que la batterie est complètement installée et fixée en place dans la tondeuse avant de commencer l'utilisation.
- Si la machine ne va pas être utilisée immédiatement, enlevez la batterie.

Retirer le bloc-piles:

- Relâchez le levier pour arrêter la tondeuse .
- Appuyez sur le bouton de dégagement de la batterie (3) sur la tondeuse. Ouvrez le couvercle de batterie.
- Enlevez la batterie de la tondeuse.



Ce produit acceptera seulement les blocs-batteries Scotts 40 V au lithium.

Pour les instructions de charge complètes, consultez les manuels de l'utilisateur de vos modèles de bloc-batterie et chargeur.

⚠ AVERTISSEMENT: Toujours retirer la pile de l'outil au moment d'assembler des pièces, d'effectuer des réglages et de procéder au nettoyage, ou lorsque l'outil n'est pas utilisé. Le fait de nettoyer, ou lorsque l'outil n'est pas utilisé. Le fait de pouvant entraîner des blessures graves.

REMARQUE : Pour éviter les blessures graves, toujours retirer le bloc-piles et garder les mains éloignées du dispositif de verrouillage de la gâchette pendant le transport de l'outil.

⚠ AVERTISSEMENT: S'assurer que le taquet de l'outil s'enclenche correctement et que le bloc-piles est complètement assis et inséré dans le port de pile avant de commencer le travail. Ne pas asseoir correctement le bloc-piles représente un risque de chute du bloc-piles et un risque de blessure grave.

Clé de sécurité

Pour empêcher une mise en marche accidentelle ou l'utilisation non autorisée de votre tondeuse sans fil, une clé de sécurité amovible a été intégrée à la conception de l'appareil. La tondeuse est complètement désactivée lorsque la clé de sécurité est retirée.

⚠ AVERTISSEMENT: Le cordon de la clé de sécurité est destiné à son remisage ; gardez-le hors de portée des enfants. N'attachez PAS la clé de sécurité de façon permanente à la tondeuse.

⚠ DANGER: Les lames rotatives peuvent causer des blessures graves. Pour prévenir les blessures graves, retirez la clé de sécurité lorsque la tondeuse est sans surveillance, ou lors du réglage, du nettoyage, de l'entretien, du transport, du relevage ou du remisage de la tondeuse.

UTILISATION



AVERTISSEMENT :

L'utilisation répétée de ce produit ne doit pas vous rendre imprudent. N'oubliez pas qu'une fraction de seconde d'inattention suffit pour infliger des blessures graves.



AVERTISSEMENT :

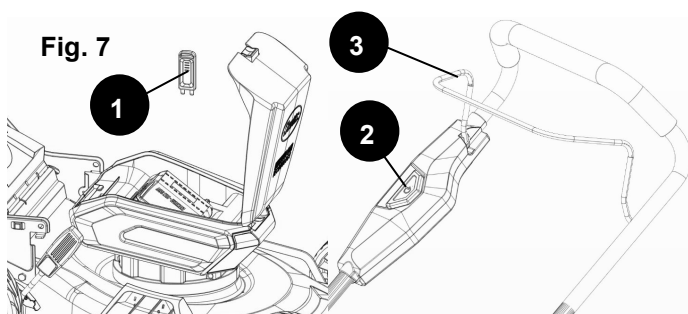
Portez toujours des lunettes de sécurité avec des écrans latéraux lors de l'utilisation de ce produit. Omettre cela pourrait entraîner la projection des objets dans les yeux, provoquant de possibles blessures graves.

Démarrage / arrêt de la tondeuse

Voir la figure 7

Pour mettre la tondeuse en marche :

- Ouvrir la couvercle des piles.
- Installer le bloc-piles.
- Insérer la clé de démarrage (1) dans la fente située à côté du port de pile.
- Fermeture la couvercle des piles.
- Appuyer sur le bouton de verrouillage de sécurité(2).
- Tout en maintenant le bouton de démarrage enfoncé, tirer le levier de commande de la lame (3) vers la poignée. Relâcher le bouton de démarrage dès que le moteur est démarré.



Pour arrêter la tondeuse:

- Relâcher le levier de commande de la lame.

DÉMARRAGE EN DOUCEUR

Cette tondeuse LI-ION est équipée d'une option de « démarrage en douceur ». Lors du démarrage initial, la tondeuse prendra environ 3 secondes à tourner à pleine vitesse. Si la tondeuse ne démarre pas initialement : Enlevez la batterie et vérifiez sous le bâti de la tondeuse pour vous assurer que rien ne bloque la lame et que celle-ci peut tourner librement à la main. Même une petite quantité d'herbe au démarrage empêchera le « démarrage en douceur » de mettre la tondeuse en marche.

ATTENTION : N'essayez pas de contourner l'opération du bouton de verrouillage de sécurité ou du levier.



AVERTISSEMENT :

N'utilisez pas toute pièce jointe ou accessoire non ecommandé par le fabricant de ce produit. L'utilisation de pièces jointes ou d'accessoires non recommandés peut entraîner des blessures graves.

UTILISATIONS :

Vous pouvez utiliser ce produit pour :

- tondre votre pelouse

AVERTISSEMENT : L'utilisation d'une tondeuse peut entraîner la projection de corps étrangers dans les yeux, provoquant de graves dommages oculaires. Portez toujours des lunettes de sécurité lors de l'utilisation de la tondeuse et lors de tout réglage ou réparation.

AVERTISSEMENT : Assurez-vous que les autres personnes et animaux de compagnie restent éloignés d'au moins 30 m (100 pi) lorsque la tondeuse est utilisée.

INSPECTEZ LA ZONE DE COUPE

Enlevez toutes les pierres, bâtons, fils, os et autres débris qui peuvent être projetés par les lames en rotation.

Régler la hauteur de la lame

Voir la figure 8

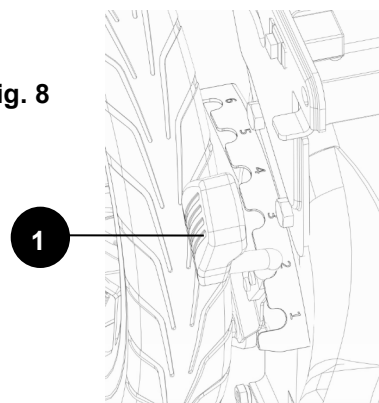
Lorsqu'expédiées, les roues sur la tondeuse sont réglées à une position de coupe basse. Avant d'utiliser la tondeuse pour la première fois, réglez la position de coupe à la hauteur la plus adaptée à votre pelouse. Une pelouse moyenne doit être d'une hauteur entre 3,8 et 5,0 cm (1,5 et 2 po) lors des mois frais et entre 5,0 et 8,2 cm (2 et 3,25 po) lors des mois chauds.

La tondeuse peut être réglée sur 6 hauteurs de coupe comprises entre 38mm (1,5 po.) et 95mm (3,75 po.). Choisissez la hauteur de coupe appropriée en fonction des types et des conditions de l'herbe.

Pour régler la hauteur de la lame :

- Pour élever la hauteur de la lame, saisissez le levier de réglage de la hauteur (1) et déplacez-le vers l'arrière de la tondeuse.
- Pour abaisser la hauteur de la lame, saisissez le levier de réglage de la hauteur (1) et déplacez-le vers l'avant de la tondeuse.

Fig. 8



UTILISATION

Conseils de tonte

- Assurez-vous que la pelouse soit libre de pierres, bâtons, fils et autres objets qui pourraient endommager le moteur ou les lames de la tondeuse. De tels objets pourraient accidentellement être projetés par l'utilisateur dans une direction quelconque et pourraient provoquer des blessures graves à l'utilisateur et à autrui.
- Pour une pelouse saine, coupez toujours un tiers ou moins de la longueur totale de l'herbe.
- Lors de la coupe d'herbe épaisse, réduisez votre vitesse de marche pour permettre une coupe plus efficace et une éjection adéquate de l'herbe coupée.
- Ne coupez pas de l'herbe mouillée. Elle collera sous le dessous du bâti et empêchera un broyage adéquat de l'herbe coupée.
- L'herbe nouvelle ou épaisse peut demander une coupe plus étroite.
- Nettoyez le dessous du bâti de la tondeuse après chaque utilisation pour retirer l'herbe coupée, les feuilles, la saleté et les autres débris accumulés.

Utilisation sur une pente

Voir la figure 9

⚠ AVERTISSEMENT : Les pentes sont un facteur principal lié aux accidents de glissement et de chute qui peuvent entraîner des blessures graves. Utiliser la tondeuses sur des pentes demande d'être plus prudent. Si vous vous sentez mal à l'aise sur une pente, ne la tondez pas. Pour votre sécurité, n'essayez pas de tondre des pentes inclinées à plus de 15 degrés.

- Tondez le long de la face des pentes, jamais de haut en bas. Soyez très prudent lorsque vous changez de direction sur une pente.
- Prenez garde aux trous, ornières, roches, objets dissimulés ou bosses qui pourraient vous faire glisser ou trébucher. L'herbe haute peut dissimuler des obstacles. Retirez tous les objets comme les roches, les branches d'arbres, etc., sur lesquels vous pourriez trébucher ou qui pourraient être projetés au loin par la lame.
- Soyez toujours certain de votre prise de pied. Un glissement et une chute peuvent entraîner des blessures graves. Si vous sentez que vous allez perdre l'équilibre, relâchez immédiatement le fil de contrôle du contacteur.
- Ne tondez pas près de points de chute, fossés ou digues : vous pourriez perdre l'équilibre.

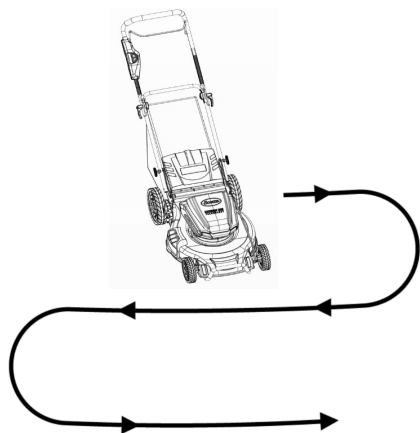


Fig. 9

Conseils sur le paillage

REMARQUE : Inspectez la zone où sera utilisée la tondeuse et enlevez toutes les pierres, bâtons, fils, os et autres débris qui peuvent être projetés par les lames en rotation.

- Relâchez le levier pour ARRÊTER la tondeuse lorsque vous traversez toute zone avec du gravier (les pierres peuvent être projetées par la lame).
- Réglez la tondeuse à la plus haute hauteur de coupe lorsque vous tondez sur un sol inégal ou dans de hautes herbes.
- Pour un paillage efficace, ne coupez pas l'herbe humide, car elle a tendance à coller au dessous du bâti, empêchant le paillage efficace des brins d'herbe. L'herbe nouvelle ou épaisse peut demander une coupe plus étroite. La vitesse au sol doit être réglée selon l'état de la pelouse. Si la tonte a été retardée et que l'herbe dépasse à présent 10 cm (4 po) de hauteur, tondez la pelouse en deux fois afin de réduire la hauteur de l'herbe à un maximum de 8,3 cm (3 1/4 po).
- Marchez d'un pas constant. Chevauchez les rangées de coupe. Ne laissez pas l'herbe trop pousser. Si l'herbe devient trop longue, commencez à la position de coupe la plus élevée et travaillez en descendant jusqu'à la hauteur de coupe désirée.

⚠ AVERTISSEMENT : Si vous heurtez un corps étranger, arrêtez le moteur et enlevez la batterie. Inspectez soigneusement la tondeuse pour tout dommage possible. Réparez les dommages avant d'utiliser la tondeuse. Une vibration excessive de la tondeuse lors de l'utilisation indique des dommages. Inspectez soigneusement la tondeuse et réparez les dommages avant d'utiliser la tondeuse.

Vider le collecteur d'herbe

Voir la figure 10

- Arrêter la tondeuse, laisser les lames s'arrêter complètement.
- Ouvrez le logement de piles.
- Retirer la clé de sécurité et bloc-piles.
- Soulever le couvercle d'éjection arrière.
- Soulever le collecteur d'herbe par sa poignée afin de le retirer de la tondeuse.
- Jetez les brins d'herbe.
- Soulever le couvercle arrière et réinstaller le collecteur d'herbe, comme décrit précédemment dans le présent manuel.
- Réinstaller la clé de démarrage et le bloc-piles dès le moment de la tonte.



Fig. 10

CHARGE DE LA BATTERIE

Ne chargez la batterie qu'avec le chargeur fourni.

Laissez au moins 70 minutes de temps de charge pour une batterie de 2,0 Ah ou 170 minutes pour une batterie de 5Ah avant la première utilisation du tondeuse.

Assurez-vous que l'alimentation est d'une tension domestique normale : 120 V, 60 Hz, CA uniquement

Le chargeur de batterie doit fonctionner à des températures comprises entre 4 et 40 °C (39 et 104°F).

La batterie doit être chargée dans un endroit frais et sec.

2 à 3 cycles initiaux de charge/décharge peuvent être nécessaires pour obtenir la durée/capacité maximum.

Ne tentez pas d'ouvrir le chargeur ou l'appareil. Ils ne contiennent pas de pièces réparables par le client. Appelez notre service clientèle au 1-800-618-7474 pour assistance.

NE brûlez PAS les batteries, même si elles sont sévèrement endommagées ou complètement usées. Elles peuvent exploser dans un feu et provoquer des blessures.

N'utilisez le chargeur de batterie qu'à l'intérieur.

Déconnectez le chargeur de l'alimentation quand il n'est pas utilisé afin d'éviter de l'endommager en cas de surtensions.

Lorsqu'elles sont entièrement chargées, les batteries peuvent être stockées de façon sûre à des températures pouvant atteindre - 20 °C (4 °F) pendant quatre semaines avant de devoir être chargées. Chargez complètement la batterie tous les 90 jours.

Si, avec le temps, la batterie s'épuise rapidement après une période complète de charge de 70 ou 170 minutes, une batterie de rechange est nécessaire.

Pour éviter que la batterie ne subisse des dégâts permanents, ne la stockez jamais lorsqu'elle est déchargée.

REMISAGE POUR L'HIVER - Effectuez une recharge complète de 75 minutes avant le remisage et ensuite tous les 90 days.

La batterie ne développant pas de mémoire, il n'est pas nécessaire qu'elle soit entièrement déchargée avant de la recharger.

Une faible fuite de liquide des compartiments de batterie peut se produire dans des conditions extrêmes d'utilisation, de charge ou de températures. Ceci n'est pas le signe d'une défaillance. Toutefois, si le joint extérieur est rompu et que cette fuite atteint votre peau :

- Lavez rapidement avec du savon et de l'eau.
- Neutralisez avec un acide doux, comme du jus de citron ou du vinaigre.
- Si du liquide de batterie atteint les yeux, rincez-les avec de l'eau pure pendant un minimum de 10 minutes et appelez immédiatement un médecin.

CHARGE DE LA BATTERIE

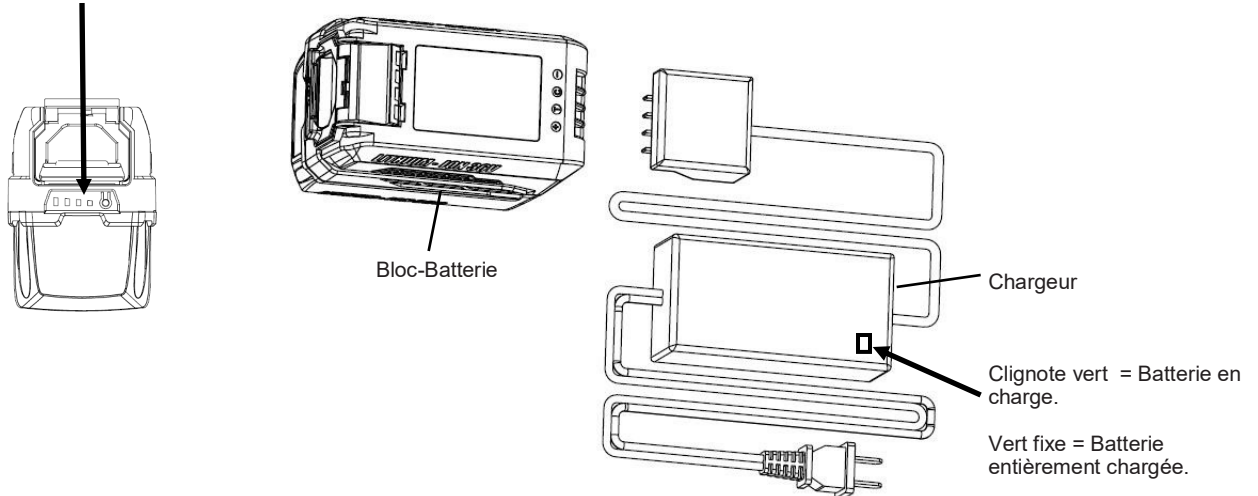
VOIR LE MANUEL DU CHARGEUR POUR DES INSTRUCTIONS COMPLÈTES.

Un feu vert signifie - ¼ complet

Deux feux verts signifient - ½ Full

Trois feux verts signifient - 3 / 4 Full

Quatre voyants verts signifient - Batterie chargée



MISE AU REBUT DE LA BATTERIE

Retirez la batterie de l'outil. Couvrez les bornes avec du ruban adhésif résistant. Ne tentez pas de détruire ou de démonter la batterie ou d'enlever des composants. Ce produit contient des batteries au lithium-ion qui doivent être recyclées ou éliminées de façon appropriée. Les lois locales, provinciales ou fédérales peuvent interdire l'élimination de ces batteries dans les déchets ménagers.



Le sceau RBRC sur la batterie au lithium-ion indique que le coût du recyclage de la batterie à la fin de sa durée de vie utile a déjà été payé par The Great States Corporation/American Lawn Mower Company. Il est illégal de placer des batteries lithium-ion usagées dans les ordures ménagères. RBRC, en coopération avec The Great States Corporation/American Lawn Mower Company, fournit un moyen facile et écologique de recycler les batteries lithium-ion usagées. Contactez votre centre de recyclage local ou appelez le 1-800-8-BATTERY pour des renseignements sur le lieu où vous pouvez apporter votre batterie morte.

MAINTENANCE

⚠ AVERTISSEMENT :

N'utilisez que des pièces de rechange identiques lors de l'entretien. L'utilisation de toute autre pièce peut constituer un danger ou endommager le produit.

⚠ AVERTISSEMENT :

Portez toujours des lunettes de sécurité avec des écrans latéraux lors de l'utilisation de l'outil électrique ou lorsque vous soufflez de la poussière. Si l'environnement est poussiéreux, portez toujours un masque antipoussières.

ENTRETIEN GÉNÉRAL

Évitez d'utiliser des solvants lorsque vous nettoyez les pièces en plastique. La plupart des plastiques sont susceptibles d'être endommagés par les divers types de solvants commerciaux. Utilisez des chiffons propres pour nettoyer la saleté, la poussière, l'huile, la graisse, etc.

⚠ AVERTISSEMENT :

Ne laissez jamais de liquide de frein, d'essence, de produits à base de pétrole, d'huiles pénétrantes etc. entrer en contact avec les pièces en plastique. Les produits chimiques peuvent endommager, affaiblir ou détruire le plastique, ce qui peut entraîner des blessures graves.

Vérifiez de temps en temps que tous les écrous et boulons soient bien serrés pour s'assurer d'une utilisation sécuritaire de la tondeuse.

Retirez tout amoncellement d'herbe et de feuilles sur ou autour du couvercle du moteur. Essayez la tondeuse proprement avec un chiffon sec de temps en temps. **N'utilisez pas d'eau.**

LUBRIFICATION

Tous les roulements dans ce produit sont lubrifiés avec une quantité suffisante de lubrifiant de haute qualité pour la durée de vie de l'appareil sous des conditions normales d'utilisation. C'est pourquoi aucune autre lubrification des roulements n'est requise.

Au début et à la fin de chaque saison de tonte :

- Lubrifiez les ressorts sur la porte d'éjection arrière avec une huile légère.
- Lubrifiez le levier de réglage de la hauteur et la quincaillerie associée avec de l'huile légère.
- Retirez les roues et lubrifiez la surface du boulon d'axe et la surface intérieure de la roue avec de l'huile légère.
- Retirez la lame et l'assemblage du moyeu de la lame, puis lubrifiez l'axe du moteur avec une huile légère ou une huile à moteur. **Voir Remplacement de la lame** de coupe pour les instructions sur comment retirer la lame.

⚠ AVERTISSEMENT :

Protégez toujours vos mains en portant des gants lourds et/ou en enveloppant les bords tranchants de la lame avec des chiffons et d'autres matériaux similaires lorsque vous effectuez l'entretien de la lame. Le non-respect de cette consigne peut entraîner des blessures graves.

⚠ DANGER :

Avant d'effectuer tout entretien, assurez-vous que la batterie soit retirée du compartiment de batterie et que la clé de contact soit également retirée. Le non-respect de cette consigne peut entraîner des blessures graves.

REMETTRE EN PLACE LA LAME DE COUPE

Voir la figure 11

REMARQUE: Utilisez seulement des lames de remplacement identiques.

- Éteignez le moteur et retirez la clé de contact. Permettez à la lame de s'arrêter complètement. Retirez la batterie de son compartiment.
- Tournez la tondeuse sur le côté.
- Calez un bloc de bois entre la lame et le bâti de la tondeuse pour empêcher la lame de tourner.
- Desserrez l'écrou de la lame (1) à l'aide d'une clé ou d'une clé à douille (non incluse). Tournez l'écrou **DANS LE SENS ANTIHORAIRE** pour le desserrer.
- Retirez l'écrou de la lame (1), la rondelle d'espacement (2), l'isolant de la lame (3) et, enfin, la lame (4) en soit.
- Pour réinstaller la lame, positionnez-la avec les bords de coupe vers le sol. Remettez en place l'isolant de la lame et la rondelle d'espacement, puis enfitez l'écrou de la lame sur l'axe et serrez manuellement.

REMARQUE: Assurez-vous que toutes les pièces soient remises dans le même ordre qu'au moment du démontage. Lors de l'installation de la lame de coupe, assurez-vous qu'elle est installée avec les bouts courbés orientés vers le bâti de la tondeuse et non orientés vers le sol.

- Vissez l'écrou de lame **DANS LE SENS DES AIGUILLES** à l'aide d'une clé dynamométrique (non incluse) pour s'assurer que le boulon soit bien serré. Le couple recommandé pour l'écrou de lame est de 350 à 400 po par lb.

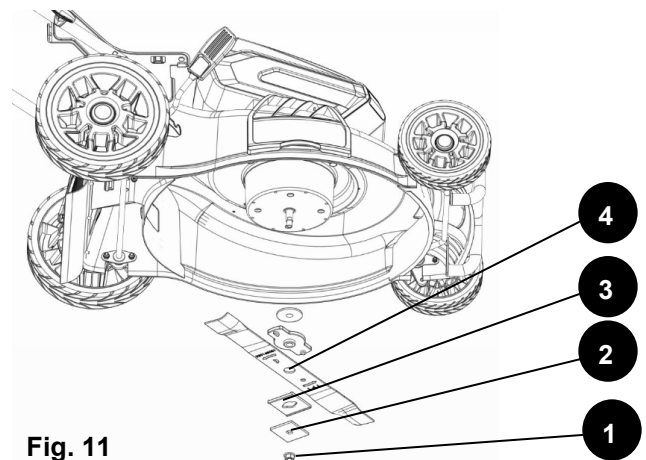


Fig. 11

MAINTENANCE

AIGUISER LA LAME

Voir la figure 12

La lame de la tondeuse doit être conservée tranchante pour une meilleure performance de l'équipement. Une lame émoussée ne coupera pas la pelouse de manière égale et surchargera le moteur. Dans des circonstances normales, aiguiser la lame deux fois lors de la saison de coupe est amplement suffisant. Cependant, si votre pelouse possède un sol sableux, un aiguisage plus fréquent de la lame peut être requis.

- Suivez les instructions dans la section **Remplacer la lame de coupe**, retirez la lame de la tondeuse. N'essayez PAS d'aiguiser la lame alors qu'elle est toujours fixée à la tondeuse.

⚠ AVERTISSEMENT :

Lors de son retrait, inspectez soigneusement la lame. Si elle est pliée ou endommagée, remplacez-la immédiatement avec une nouvelle lame. Omettre de remplacer une lame pliée ou endommagée peut entraîner un accident provoquant de possibles blessures graves.

- À l'aide d'une lime ou d'une pierre à aiguiser, affilez les bords tranchants aux deux bouts de la lame, en enlevant des quantités égales de matériaux aux deux bouts.

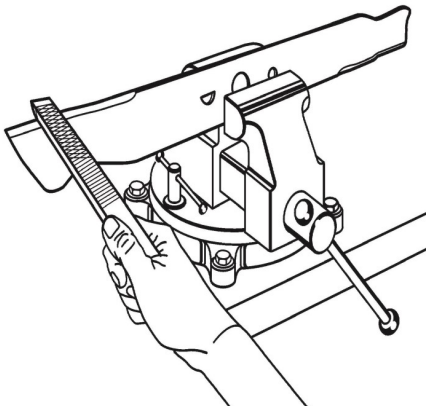


Fig. 12

ÉQUILIBRER LA LAME

Voir la figure 13

Lorsque vous aiguiser la lame, assurez-vous de la conserver bien équilibrée. Une lame mal équilibrée peut provoquer des vibrations excessives lors du fonctionnement de la tondeuse. Cette vibration endommagera éventuellement la tondeuse, spécialement le moteur.

Pour vérifier l'équilibre de la lame :

- Fixez un tournevis à l'horizontale dans un étau tel qu'illustré.

REMARQUE: Si un étau n'est pas disponible, un clou droit fera l'affaire.

- Placez le trou central de la lame sur le manche du tournevis (ou sur un clou).

- Si la lame est équilibrée, elle demeurera alors droite en position horizontale. Si un bout ou l'autre de la lame penche vers le bas, aiguiser le bout plus lourd jusqu'à équilibre complet de la lame.

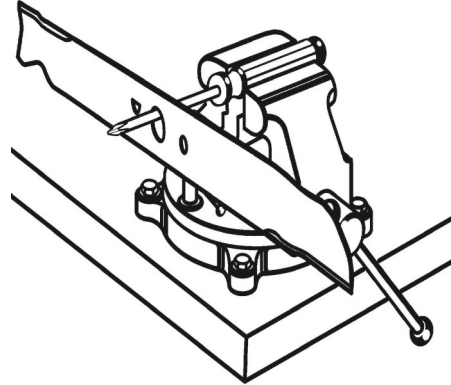


Fig. 13

REEMPLACER LES ROUES

Voir la figure 14

Pour remplacer une roue :

- Éteignez le moteur et retirez la clé de contact. Retirez la batterie de son compartiment.
- Tournez la tondeuse sur le côté.
- À l'aide d'un tournevis plat, retirez (en soulevant) l'enjoliveur (1).
- Retirez l'écrou autobloquant (2) de l'axe de la roue (3), puis retirez la roue (4).
- Remplacez avec la nouvelle roue et installez l'écrou autobloquant neuf (2) de façon sûre.
- Remplacez l'enjoliveur (1).

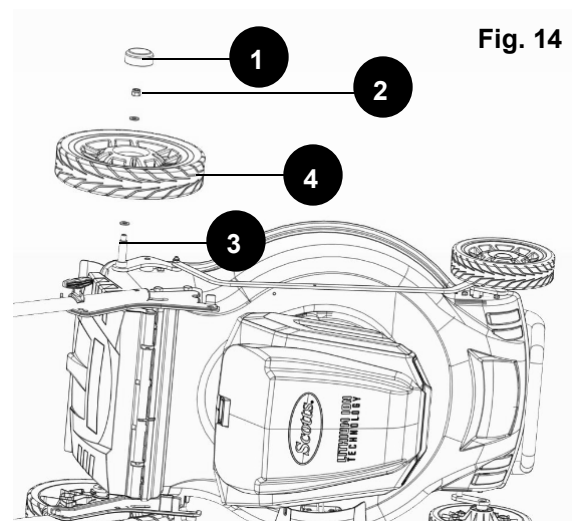


Fig. 14

ENTRETIEN DE LA BATTERIE

Il est recommandé de recharger la tondeuse tous les 3 mois pour une performance optimale lorsque vous ne l'utilisez pas. Si la batterie a été entreposée pendant une longue période sans qu'elle n'ait été rechargée, elle sera dans un état de charge faible.

MAINTENANCE

ENTREPOSER LA TONDEUSE

- Retirer la clé de sécurité et la batterie, et rangez-les dans un endroit sûr, hors de portée des enfants.
- Avant de ranger le produit, essuyer toute saleté ou tout débris se trouvant dans l'environnement de la pile.
- Tournez la tondeuse sur le côté et nettoyez l'herbe coupée qui s'est accumulée sur le dessous du bâti de la tondeuse.
- Essuyez la tondeuse proprement avec un chiffon sec.
- Assurez-vous que tous les écrous, boulons, molettes, vis, fixations, etc. soient bien serrés.
- Inspectez les pièces mobiles pour tout dommage, bris ou usure. Réparez toute pièce endommagée ou manquante.
- Rangez la tondeuse à l'intérieur, dans un endroit sec, propre et hors de portée des enfants.
- Ne la rangez pas près de matériaux corrosifs, comme des engrais ou du sel de roche.

Pour ranger la tondeuse à l'horizontale:

Voir la figure 15

- Tirez les boutons en T (3) sur les côtés des poignées inférieures (1) et tournez de 90°.
- Pivotez soigneusement les poignées inférieures (1) vers l'avant de la tondeuse.
- Desserrez complètement les boutons de verrouillage (2) sur les côtés de la poignée et repliez la poignée supérieure vers le bas en vous assurant de ne pas plier ou pincer le cordon électrique.

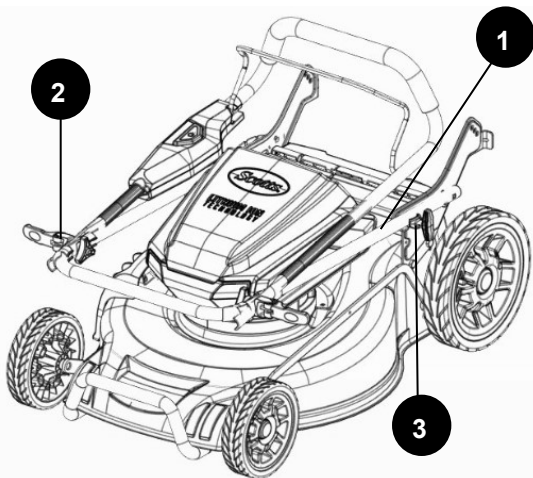


Fig. 15

Pour ranger la tondeuse à la vertical:

Voir les figures 15-16

- Retirer le sac à herbe.
- Sortez les boutons en T (3) des côtés des poignées inférieures (1) et tournez de 90°.
- Pivotez soigneusement les poignées inférieures (1) vers l'avant de la tondeuse; tournez les boutons en T (3) de 90° vers l'arrière et continuez à pivoter la poignée (1) jusqu'à ce que vous entendiez ou sentiez la tige de verrouillage engagée en position de rangement verrouillée.

- La poignée supérieure peut être rangée, soit déployée ou abaissée pour un rangement à la verticale.
- Pour abaisser la poignée supérieure, desserrez complètement les boutons de verrouillage (2) sur les côtés de la poignée et repliez la poignée supérieure vers le bas en s'assurant de ne pas plier ou pincer le cordon électrique.

REMARQUE: S'assurer que les tiges des boutons de réglage de la poignée sont complètement insérées dans les trous de verrouillage avant de tenter de relever la tondeuse en position debout.

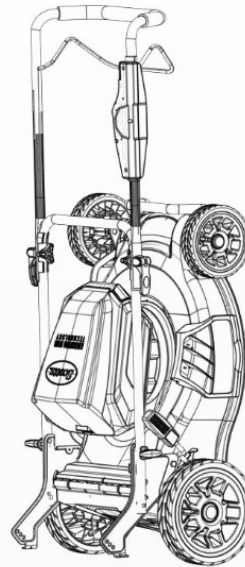
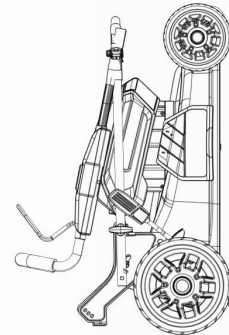


Fig. 16



⚠ AVERTISSEMENT :

SOYEZ EXTRÊMEMENT PRUDENT LORSQUE VOUS PLIEZ LA POIGNÉE. LE CORDON PEUT ÊTRE ENDOMMAGÉ SI PINCÉ ENTRE LES SECTIONS DE LA POIGNÉE, CRÉANT AINSI UN DANGER POUR LA SÉCURITÉ.

⚠ AVERTISSEMENT :

LORSQUE LA POIGNÉE EST PLIÉE, NE PAS ESSAYER DE DEMARRER LA TONDEUSE. LORS DE L'ENTREPOSAGE DE LA TONDEUSE EN POSITION VERTICALE, POSER LA TONDEUSE DE façon que la lame soit face à un mur. LE NON-RESPECT DE CES AVERTISSEMENTS PEUT ENTRAÎNER DES BLESSURES GRAVES.

⚠ AVERTISSEMENT :

SI LA TONDEUSE BASCULE À PARTIR DE LA POSITION VERTICALE, DES DOMMAGES À LA TONDEUSE OU DES BLESSURES CORPORELLES PEUVENT EN RÉSULTER. TOUJOURS GARDER LA TONDEUSE STABLE ET HORS DE LA PORTÉE DES ENFANTS QUAND ELLE EST EN POSITION DROITE. SI POSSIBLE, COUCHEZ-LE À PLAT POUR LE STOCKAGE.

DÉPANNAGE

Problème	Cause possible	Solution
La tondeuse ne démarre pas.	<p>La clé de sécurité n'est pas insérée dans la fente.</p> <p>La batterie est épuisée.</p> <p>La batterie n'est pas fixée à la tondeuse.</p> <p>La batterie est du mauvais côté.</p> <p>Le circuit de la batterie ou de la tondeuse est trop chaud.</p> <p>La poignée n'est pas réglée sur l'une des positions de fonctionnement.</p> <p>La tondeuse est encrassée d'herbe et de débris.</p>	<p>Insérez la clé de sécurité.</p> <p>Chargez la batterie.</p> <p>Fixez la batterie à la tondeuse.</p> <p>Placez la batterie du bon côté du compartiment de la batterie.</p> <p>Laissez la batterie ou la tondeuse refroidir.</p> <p>Ajustez la poignée à l'une des positions de fonctionnement.</p> <p>Nettoyez le carter de tondeuse et assurez-vous que la lame est libre de mouvement.</p>
La tondeuse coupe de manière inégale.	<p>Lame émoussée.</p> <p>La hauteur de coupe n'est pas réglée correctement.</p> <p>La lame est mal assemblée.</p>	<p>Affûter ou remplacer la lame.</p> <p>Élevez la lame à un réglage plus élevé.</p> <p>Remontez la lame en suivant les instructions de la section "Remplacement de la lame de coupe" de ce manuel.</p>
La tondeuse s'arrête pendant la tonte.	<p>La batterie est épuisée.</p> <p>La tondeuse est en surcharge.</p> <p>La tondeuse est encrassée d'herbe et de débris.</p> <p>Le circuit de la batterie ou de la tondeuse est trop chaud.</p>	<p>Chargez la batterie.</p> <p>Augmentez la hauteur de coupe ou ralentissez la tonte.</p> <p>Déboucher la tondeuse. Augmenter la hauteur de coupe ou couper une bande étroite.</p> <p>Laissez la batterie ou la tondeuse refroidir.</p>
La tondeuse ne paille pas correctement.	<p>Des coupures d'herbe mouillée collent au dessous de la terrasse.</p> <p>L'insert broyeur est manquant.</p> <p>La tondeuse est réglée pour couper trop d'herbe.</p>	<p>Attendez que l'herbe sèche avant de tondre.</p> <p>Installez l'insert broyeur.</p> <p>Élevez la lame à un réglage plus élevé.</p>
Vibration excessive.	<p>La lame de coupe est lâche.</p> <p>La lame de coupe est déséquilibrée.</p> <p>Lame de coupe courbée.</p> <p>Arbre moteur coudé.</p>	<p>Serrer le boulon de la lame.</p> <p>Équilibrez la lame en suivant les instructions.</p> <p>Remplacez la lame.</p> <p>Contactez le centre de service au 1-800-618-7474.</p>
La poignée n'est pas en position.	<p>Les boulons ordinaires ne sont pas bien fixés.</p> <p>Les molettes de la poignée ne sont pas serrées.</p>	<p>Réglez la hauteur de la poignée et assurez-vous que les boulons ordinaires soient bien fixés en place.</p> <p>Serrez les molettes de la poignée.</p>

PIÈCES ET SERVICE

RÉPARATION

Pour les pièces ou la réparation, veuillez appeler le 1-800-618-7474 ou visitez-nous en ligne au scotts.americanlawnmower.com. Veuillez fournir toute l'information pertinente lorsque vous nous appelez ou nous rendez visite.

PIÈCES DE RECHANGE (KITS/ ARTICLES)

Le numéro de modèle/ de série de cet outil se trouve sur une plaque ou une étiquette fixée au bâti. Notez votre numéro de série dans l'espace prévu ci-dessous.

NUMÉRO DE MODÈLE 61940S

NUMÉRO DE SÉRIE _____

Toujours mentionner le numéro de modèle lors de la commande de kits pour cet outil.

N°	Numéro de kit/ Numéro d'article	Description
1	LM62-HDW-1	Trousse de matériel de poignée
2	LM62-FWK-2	Kit de roue avant
3	LM62-RWK-2	Kit de roue arrière
4	LM62-HA-1	Kit de réglage de hauteur de roue
5	LM19-BK-1	Kit de lame de tondeuse
6	LM62-RDK-1	Kit de couvercle de la chute arrière
7	LM62-SDD-1	Couvercle déjection latérale
8	LM62-SDC-1	Défecteur d'éjection latérale
9	LM62-MP-1	Insert broyeur
10	LM62-KEY-1	Kit clé de sécurité
11	LM62-GC-1	Sac à herbe
12	LM62-RFK-1	Kit de rabat arrière
13	BL85040	Batterie 40V 5,0Ah
14	CHL84000	Chargeur 40V

APPELEZ-NOUS D'ABORD!!

Appelez-nous d'abord pour toute question concernant le fonctionnement ou la maintenance de produit au 1.800.618.7474 entre 8h00 et 17h00, heure normale de l'Est, ou obtenir de l'aide sur scotts.americanlawnmower.com.



MANUEL DE L'UTILISATEUR

48,3 cm (19 po) - 40 VOLTS TONDEUSE SANS FIL À BATTERIE LITHIUM-ION

Batterie lithium-ion de 5,0 Ah

Copyright. Tous droits réservés.

Modèle 61940S

GARANTIE

Politique de garantie Scotts

- **Garantie limitée de 4 ans** sur tous les outils électriques au lithium-ion 40 V Scotts à compter de la date d'achat lorsqu'il sont utilisés à des fins personnelles, domestiques ou familiales.
- **Garantie limitée de 2 ans** sur toutes les batteries et chargeurs au lithium-ion 40 V Scotts à compter de la date d'achat lorsqu'il sont utilisés à des fins personnelles, domestiques ou familiales.

The Great States Corp. (GSC) garantit au propriétaire original que ce produit et cette pièce de rechange Scotts sont exempts de défauts de matériaux et de fabrication et accepte de réparer ou remplacer tout produit ou pièce défectueux pendant la période de garantie indiquée ci-dessus.

- La garantie est annulée en cas d'utilisation du produit à des fins commerciales ou industrielles ou à toute fin inappropriée déterminée par GSC.
- La garantie ne comprend pas les réparations nécessaires découlant d'un mauvais usage ou d'une négligence de l'utilisateur (y compris surcharger le produit au-delà de sa capacité ou l'immerger dans l'eau), ou le manquement à assembler, opérer, entretenir ou ranger le produit selon les instructions du manuel du propriétaire.
- Cette garantie ne couvre pas
 - ◇ L'usure des articles, notamment les - courroies et engrenages d'entraînements, dents, lames de coupe, lames de tondeuse, chaînes de scie, lames à déchiqueter, ventilateurs de souffluse, couvercles de dévidoir, ligne de coupe, tubes de souffluse et d'aspiration, barres-guides, tuyaux à haute pression, roues, poignées, tarières, sacs usés, câbles électriques et autres articles sujets à l'usure au fil du temps.
 - ◇ L'usure des batteries, y compris notamment - les chutes, l'usure et le bris sur le chargeur, l'exposition à des changements extrêmes de températures (chaud ou froid), la batterie laissée trop longtemps sur le chargeur, la batterie laissée trop longtemps non chargée, et une mauvaise utilisation ou un mauvais traitement de la batterie.
- Cette garantie ne couvre pas les dommages causés par le froid, la chaleur, la pluie, l'humidité excessive et les autres conditions environnementales extrêmes.
- Cette garantie ne couvre pas la détérioration normale de la finition extérieure ou l'usure normale sur les produits, y compris notamment les éraflures, fissures, entailles ou dommages causés par des produits chimiques extérieurs.
- Cette garantie n'est pas transférable et s'applique seulement aux nouveaux produits vendus directement par un détaillant autorisé. Cette garantie ne s'applique pas à tout produit, neuf ou d'occasion, acheté par le biais de canaux tiers non autorisés. Pour de l'information sur les détaillants autorisés, communiquez avec notre ligne directe du service à la clientèle au 1-800-618-7474 (lun. au ven., 8 h à 17 h, HNE)
- Tout dommage, perte ou frais consécutif, indirect ou conséquent qui pourrait résulter d'un défaut, d'une défaillance ou d'un dysfonctionnement du produit n'est pas couvert par la garantie.
- La garantie ne comprend pas l'installation, l'assemblage ou les réglages normaux expliqués dans le manuel de l'opérateur. Les frais de livraison du produit au vendeur et les frais de renvoi du produit ou des pièces de rechange au propriétaire ne sont pas couverts par la garantie.

Limites supplémentaires concernant la garantie

Certains États/provinces ne permettent pas l'exclusion ou la limitation de la durée d'une garantie implicite; les restrictions ci-dessus peuvent donc ne pas s'appliquer. Les produits vendus endommagés ou incomplets, vendus tels quels, vendus remis en état ne sont pas couverts par la garantie. Les dommages ou responsabilités provoqués par le transport, une mauvaise manipulation, un mauvais assemblage, une tension ou un câblage incorrect, une mauvaise maintenance, une modification incorrecte ou l'utilisation d'accessoires ou d'outils non spécifiquement recommandés ne sont pas couverts par cette garantie.

Une preuve d'achat (original du reçu de vente daté) doit accompagner toute réclamation de garantie.

Pour les réclamations, allez à scotts.americanlawnmower.com ou communiquez avec notre ligne directe du service à la clientèle de 8 h à 17 h HNE, lun. au ven. au 1-800-618-7474



American Lawn Mower Company
The Great States Corporation
7444 Shadeland Station Way
Indianapolis, IN 46256 États-Unis
Téléphone 1-800-618-7474
scotts.americanlawnmower.com

Dans le cadre d'un engagement permanent d'amélioration de la qualité,
le Fabricant se réserve le droit d'apporter des modifications à des composants ou à la conception si nécessaire.