



3 Reach-In Glass Door Refrigerator (Swing Door) ♦ NPGR3-SB



Standard Feature

- ♦ Bottom Mounted Compressor
- ♦ Functional Accessory / Control Shelves
- ♦ Removable Door Gasket
- ♦ Insulating Anti-Fog Glass Door
- ♦ Accurate Temperature Control
- ♦ Interior LED lighting
- ♦ Heavy-duty caster wheels

Technical Specifications

Product Classification	Refrigerator
Climate Class	N
Number of Doors / Lids	3
External Cabinet Material	Coated Steel
Internal Cabinet Material	Aluminum Liner with Steel Floor
Type of Refrigeration Agent	R-290
Type of Temperature Control	Digital
Temperature Range °C	0°C to 5°C
Temperature Range °F	32°F to 41°F
Voltage / Frequency	115V / 60Hz
Amp	10.7
Compressor HP	3/4+ HP
Type of Insulation	High Density Polyurethane Foam
Door Handle	Partial

Certified Safety Standard

- ♦ ETL Listed
- ♦ ETL Sanitation Listed



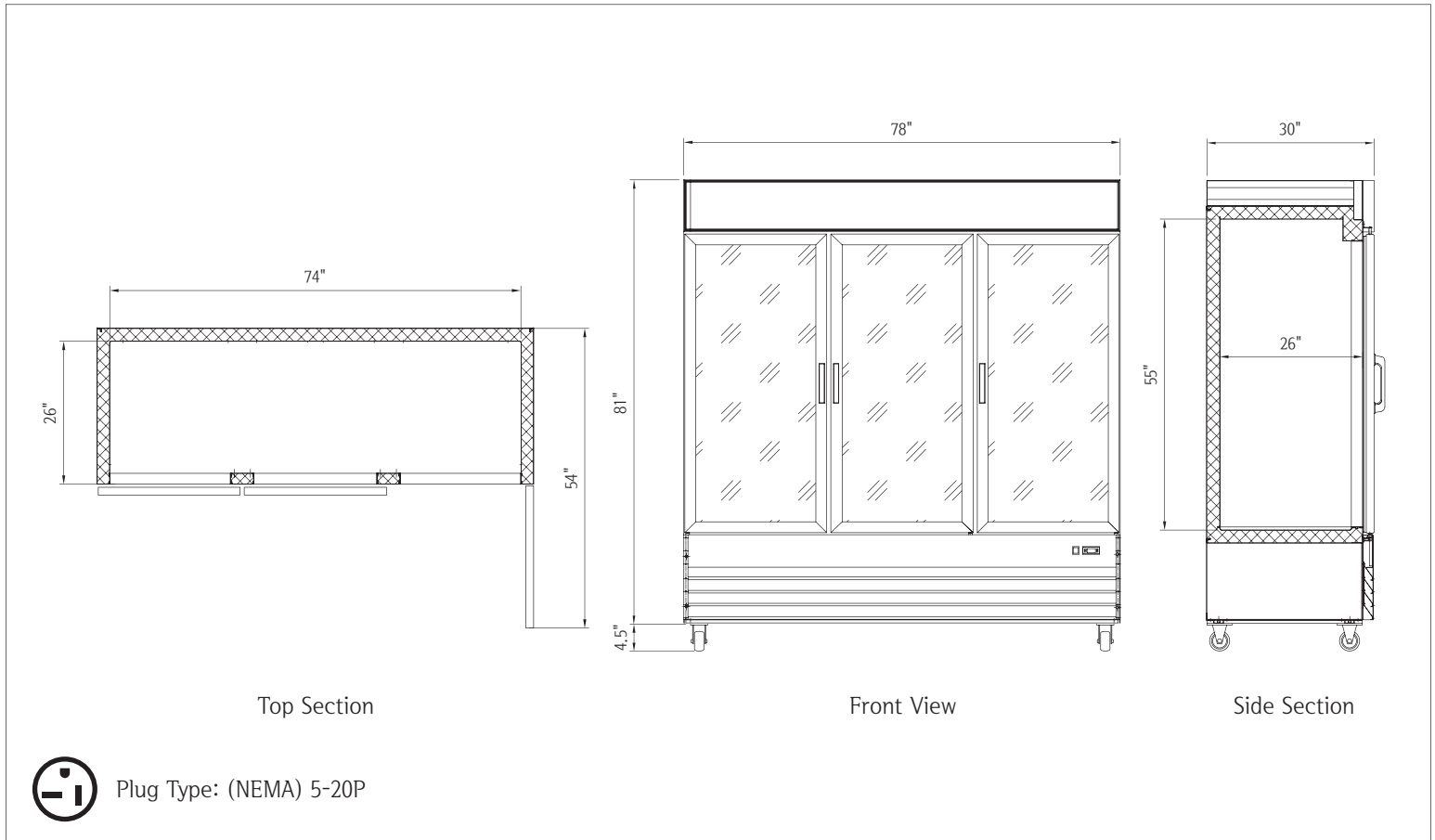
Warranty Information

- ♦ 5 Years Compressor
- ♦ 3 Year Parts & Labor





3 Reach-In Glass Door Refrigerator (Swing Door) ♦ NPGR3-SB



Capacity

Capacity 53 cu. ft.

Dimensions

Internal Cabinet Width 73 in
 Internal Cabinet Depth 26 in
 Internal Cabinet Height 55 in
 External Width 78 in
 External Depth 30 in
 External Height 85.5 in
 Shipping Dimensions (W x D x H) 80 x 33 x 83 in

Weight

Gross Weight 840 lbs.

Accessories

Frost Free Yes
 Adjustable Shelves 12
 Fixed Shelves No
 Internal Light Yes
 Internal Light Switch No
 External Light Switch No
 Self Closing Door/Lid Yes
 Adjustable Thermostat Yes