



YARDGARD SELECT™ Installation Instructions



Scan to view
installation video



TABLE OF CONTENTS

GETTING STARTED

STAGE 1: FENCE FRAMEWORK INSTALLATION 1

Tools and Materials 1

Fence Framework Parts List 1

Step 1: Installing Corner, End, and Gate Posts 2

Step 2: Installing Line Posts 3

Step 3: Installing Post Hardware 4

Step 4: Installing Top Rail 5

STAGE 2: FENCE PANEL INSTALLATION 6

Tools and Materials 6

Fence Panels Parts List 6

Step 1: Installing Tension Wire 7

Step 2: Installing Fence Panels 8

STAGE 3: GATE INSTALLATION 9

Tools and Materials 9

Auto Close Gate Parts List 9

Installing Gate 10

ESPAÑOL 11

AS A REMINDER...

- Have you completed your **YARDGARD SELECT™ Planning & Purchasing Guide?**
- Have you purchased all the required **YARDGARD SELECT™** components?
- Do you have all recommended tools and materials ready?

GETTING STARTED

Congratulations on your purchase of the **YARDGARD SELECT™** Fencing System. Please follow the step-by-step instructions for proper installation.

- Always wear safety goggles when working with metals which could potentially damage your eyesight. Other body protections such as knee pads, work gloves, etc. are also suggested.
- Use your **YARDGARD SELECT™** Planning & Purchasing Guide to assist with your installation process.
- Before you begin, visit homedepot.com or yardgardselect.com to watch our installation video.

REMINDER BEFORE YOU START DIGGING...

- Check local codes regarding height, locations, etc. Permits may be necessary.
- Consult plat of survey or professional surveyor to ensure that your fence footings are located within your property lines.
- Check with local utility company for cables, underground lines, etc. A check list is provided below for your convenience.

- | | |
|--|--|
| <input type="checkbox"/> Electricity Cable | <input type="checkbox"/> Sprinkler System |
| <input type="checkbox"/> Gas | <input type="checkbox"/> TV/Internet Cable |
| <input type="checkbox"/> Sewer Pipe | <input type="checkbox"/> Water |
| <input type="checkbox"/> Others (List your own check list at the note area below.) | |

TOOLS AND MATERIALS

Each section will have a list of Tools and Materials needed to complete the job. The following is a master list of the tools you will need to complete all stages of installation.

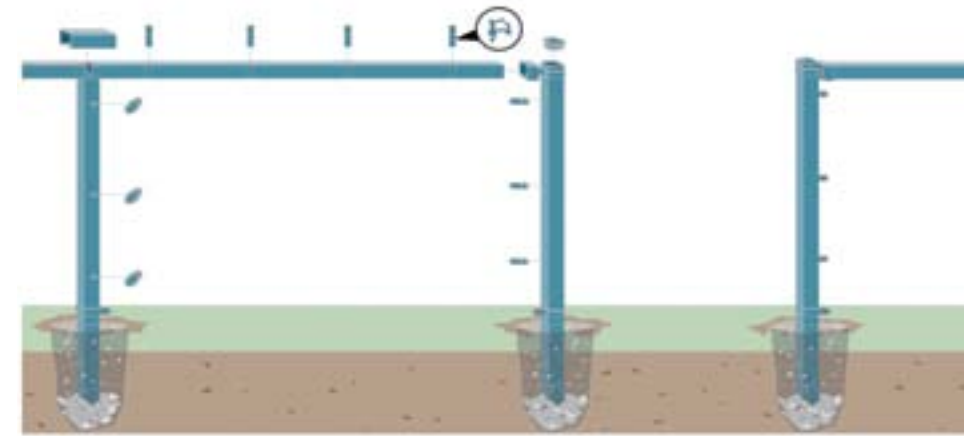
Setting Posts

- Post Hole Digger
- Shovel
- Mixing Tub
- Fast Set Concrete - (1) 50 lb bag per post
- Tape Measure
- String
- Stakes
- Level

Assembling Frame and Wire Mesh Panels

- Hacksaw or Reciprocating Saw
- Adjustable Wrench
- Channel-Lock Pliers
- 1/8" Drill Bit
- Cordless Drill
- 1/4" Nut Driver
- Phillips Bit
- Wire Cutter
- Black Spray Paint

1 STAGE 1: FRAMEWORK INSTALLATION



TOOLS AND MATERIALS

Setting Posts

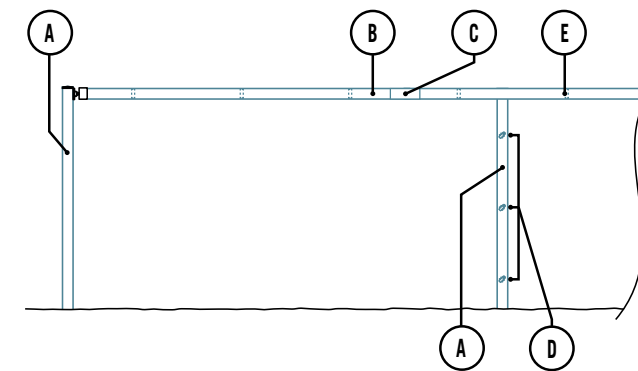
- Post Hole Digger
- Shovel
- Mixing Tub
- Fast Set Concrete - (1) 50 lb bag per post
- Tape Measure
- String
- Stakes
- Level

Assembling Framework

- Hacksaw or Reciprocating Saw
- Channel-Lock Pliers
- 1/8" Drill Bit
- Cordless Drill
- 1/4" Nut Driver
- Phillips Bit
- Black Spray Paint

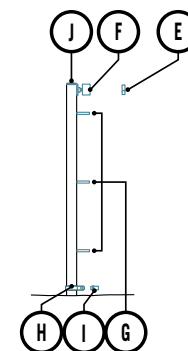
STAGE 1: PARTS LIST

FENCE FRAMEWORK - 4' x 24'



FENCE FRAMEWORK - 4' x 24' (1000-035-156)			QTY.
A		6-ft Post	3
B		8ft-ft Rail	3
C		Rail Sleeve	3
D		Panel-to-Post Clip	9
E		Panel-to-Rail Clip	18
---		Self-Tapping Screw	28

POST HARDWARE KIT



POST HARDWARE KIT (1000-034-742)			QTY.
F		Rail Connector	1
G		Panel-to-Post Bracket	3
H		Tension Band	1
I		Tension Wire Ratchet	1
J		Post Cap	1
---		Self-Tapping Screw	10
E		Panel-to-Rail Clip	1

1 STAGE 1: FRAMEWORK INSTALLATION

STEP 1: INSTALLING CORNER, END, AND GATE POSTS

TIP Have your **Fence Layout Guide** available before beginning installation of your **YARDGARD SELECT™** Fencing System.

- Referring your **Fence Layout Guide**, stake locations for all corner, end, and gate posts. The gate posts should always be 48" apart. (Fig. 1)

IMPORTANT

Before installing any posts, make sure the post locations are not on top of the marks identified by local utilities.

- Dig post holes at all staked locations using a power or manual post hole digger. Each post hole should be 6" wide and 22" deep. (Fig. 2)
- Mark a "ground" line 50" from the top down on each post (Fig. 1). **If you are installing on extremely uneven terrain or thick turf, mark at 51".**
- Insert marked posts into the center of the post holes. Align the "ground" line on the posts with the ground. Add gravel as necessary to achieve the desired height (Fig 2).

TIP

If a corner post hole is in a low or high spot, you might need to level the area by adding or removing top soil (Fig. 3).

- Add fast set concrete to the post hole. As the concrete is setting make sure the post is plumb on all sides using a level (Fig. 4). Check that the "ground" line is still level with the ground. Adjust as necessary. Refer to fast set concrete instructions for setting time.
- Crown all concrete at post footings so water runs away from your posts. Prior to the concrete completely setting, gently wash concrete residue off post surface.

NOTE: Each post hole will require approximately (1) 50 lb bag of fast set concrete.

Fig. 1

IMPORTANT
Gate posts should be level. Test the gate for desired height and adjust as necessary.

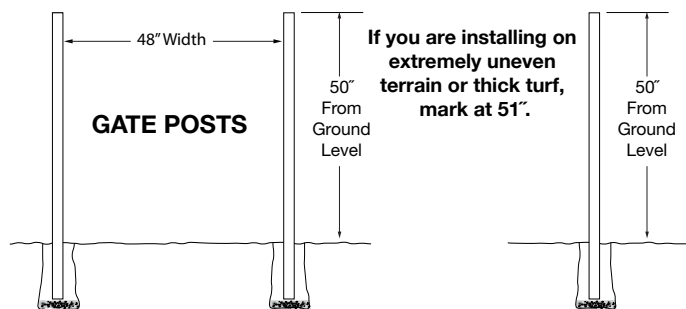


Fig. 2

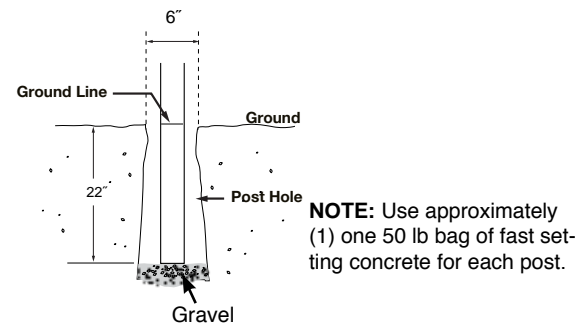


Fig. 3 Leveling Soil Surface for Adjusting Concrete Footings

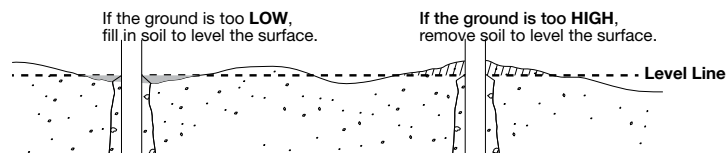
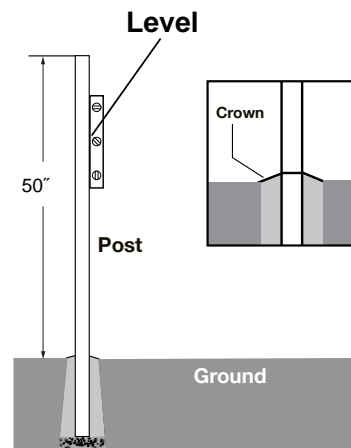


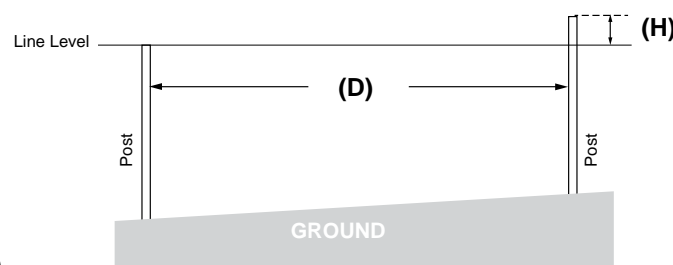
Fig. 4



STOP

Before proceeding to **STEP 2**, determine if the grade between the length of your installation exceeds 6%. Visit homedepot.com or yardgardselect.com for alternative installation instructions.

$$\text{Grade} = \frac{\text{Height (H)}}{\text{Distance (D)}} \geq 6\%$$



1 STAGE 1: FRAMEWORK INSTALLATION

STEP 2: INSTALLING LINE POSTS

- Tie a mason's line post to post along your fence line and snap it tight (Fig. 5).
- Using the line post spacing calculated on your **Fence Layout Guide**, place stakes in line post locations.
- Dig line post holes following the same process used in Step 1 (Fig. 2).
- Center line posts in holes and add fast set concrete.
- Before the concrete sets, raise or lower line posts so that the top of posts touch the mason's line (Fig. 6). Make sure posts are plumb.
- Crown all concrete at post footings so water runs away from your posts. Prior to the concrete completely setting, gently wash concrete residue off post surface.

Fig. 5 Tying a mason's line

To get a simple and effective guide line use a mason's line:

- Wrap around near the top of the post
- Loop it around a horizontal section, then up and over the top
- Keep it as close to the corner (outside edge) as possible

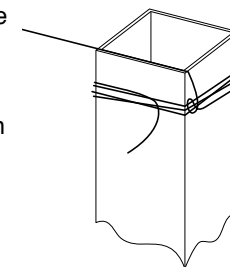
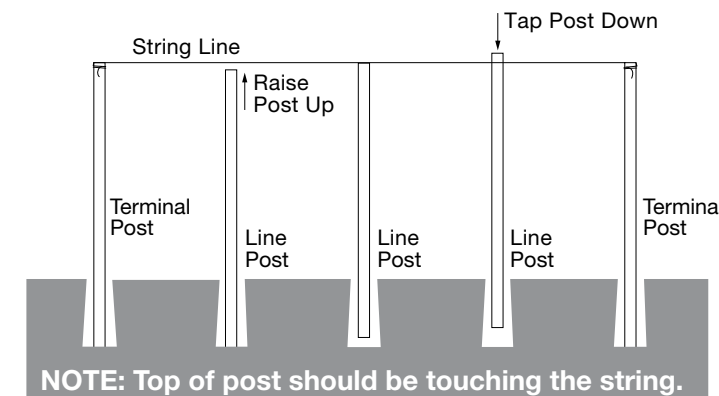


Fig. 6 Level out posts to be equal heights from ground surface.



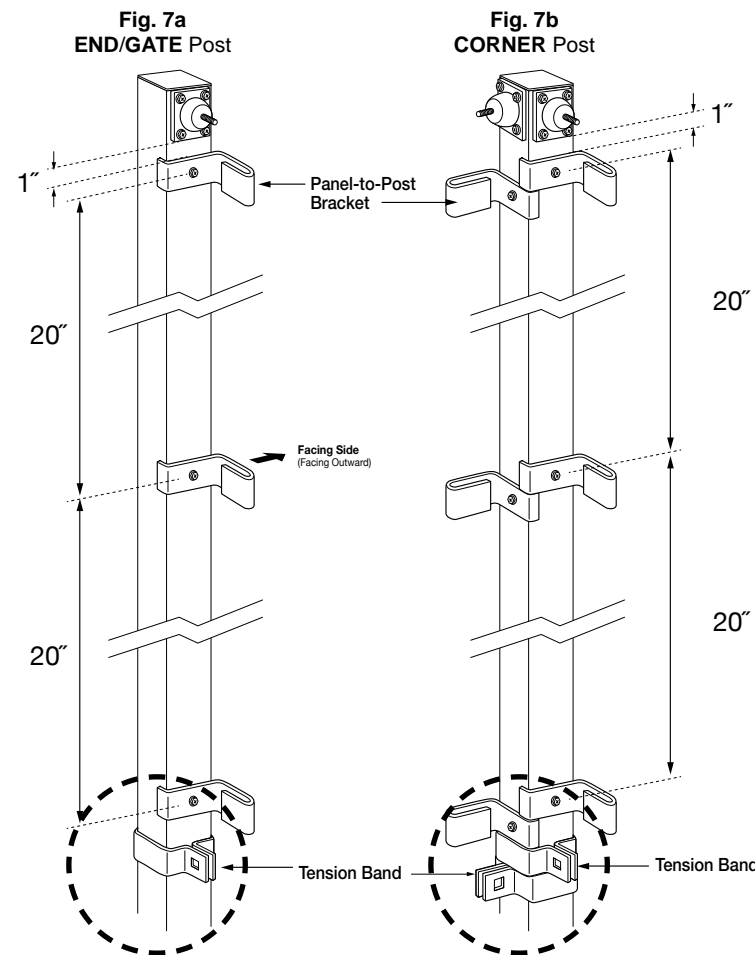
1 STAGE 1: FRAMEWORK INSTALLATION

STEP 3: INSTALLING POSTS

IMPORTANT Before installing hardware, make sure your posts are completely set. A cordless drill is required to install self-tapping screws.

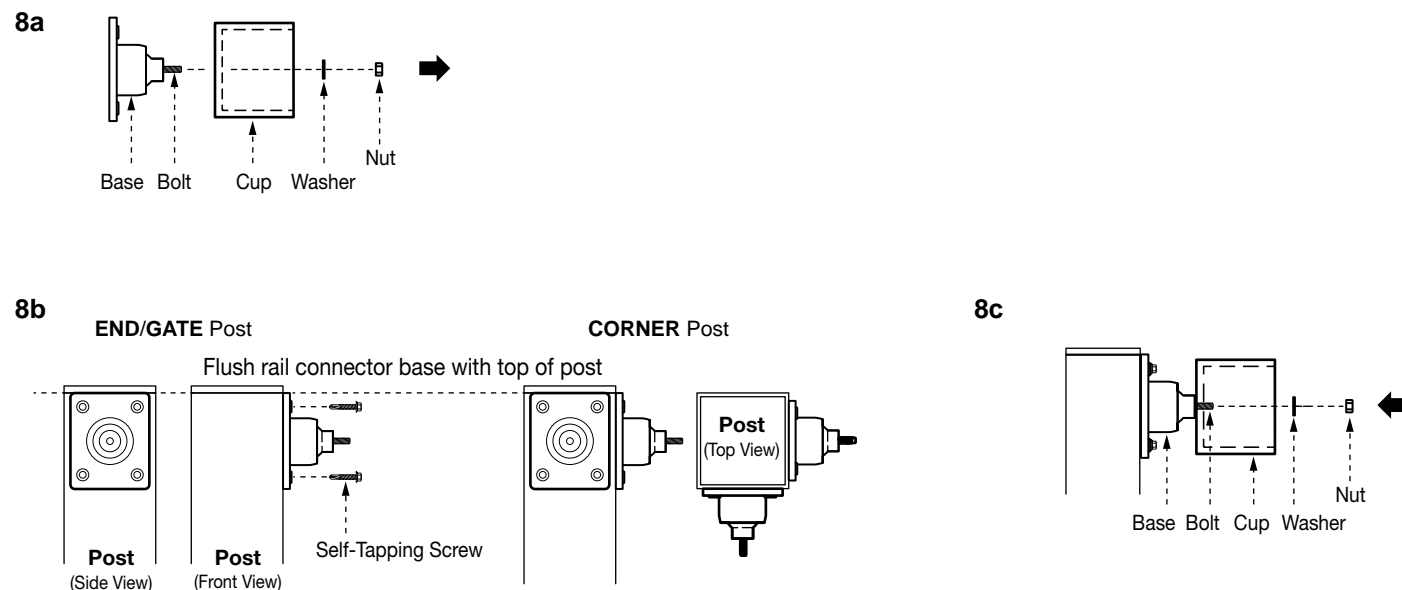
- Slide a tension band over each end post and gate post. Slide two tension bands perpendicular to one another over each corner post (bottom of Fig. 7). Do not tighten the tension bands until **STAGE 2**. Install post cap.
- Remove rail connector cup from the rail connector base by loosening and removing nut and washer. (Fig. 8a)
- Install rail connector base to top of each post with self-tapping screws. (Fig. 8b)
- TIP** Pre-drilling holes to install rail connector cup is suggested.
- Reconnect the rail connector cup back to base (Fig. 8c).
- Each end and gate post will require three Panel-to-Post Brackets. Install the first Panel-to-Post Bracket 1" below the rail connector base with self-tapping screws (Fig. 7a).
- **ALWAYS** install the Panel-to-Post Brackets with the flat side facing outward.
- Install the second bracket 20" below the first one (center-to-center). Install the third bracket 20" below the second one (Fig. 7a).
- Each corner post will require six Panel-to-Post Brackets. See Fig. 7b for location and placement of brackets.

Fig. 7 Hardware Installation



IMPORTANT: Insert tension bands before installing Panel-to-Post Brackets and Rail Connectors.

Fig. 8 Rail Connector Assembly



1 STAGE 1: FRAMEWORK INSTALLATION

STEP 4: INSTALLING TOP RAIL

IMPORTANT **ALWAYS** install the top rail with the flat side facing outward.

- Insert top rail into rail connector cup. Fasten the rail to the cup with a self-tapping screw inserted from the curved side (Fig. 9).
- Position the first section of top rail over line posts. To connect the next section of top rail, insert a rail sleeve over the top rail. Insert the next section of top rail into the opposite end of the rail sleeve.
- Fasten rail sleeves to top rails with self-tapping screws (Fig. 9). **DO NOT** fasten the rails to the line posts. If rail sleeve happens to be lined up with a line post, **DO NOT** fasten rail sleeve at this point. **DO NOT** fasten rail sleeve for the terminating section at this time.
- Follow this same process until you reach the terminating section of your fence line.
- Measure the last section of top rail from the rail sleeve (3" in) to the back of the rail connector cup (Fig. 10).
- Follow the numeric sequence in Fig. 11 to connect the terminating top rail to the post.
- After the terminating section is in place, fasten the rail sleeve for the terminating section.
- **DO NOT** fasten the top rail to the line posts at this time. This will be done in Stage 2 after the fence panels are inserted.
- Repeat the same process for each fence line.

Fig. 9

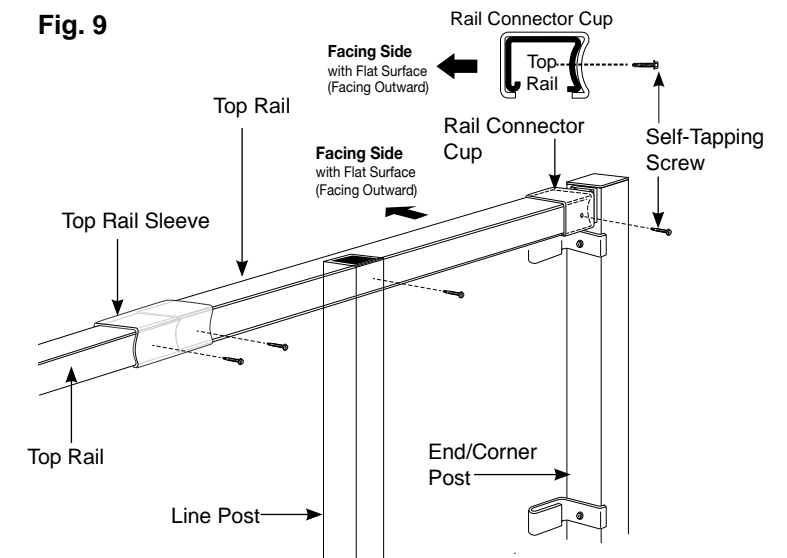


Fig. 10 Proper Length Measurement

IMPORTANT: Always measure from the inner wall of Rail Connector Cup to 3" inside of top rail sleeve.

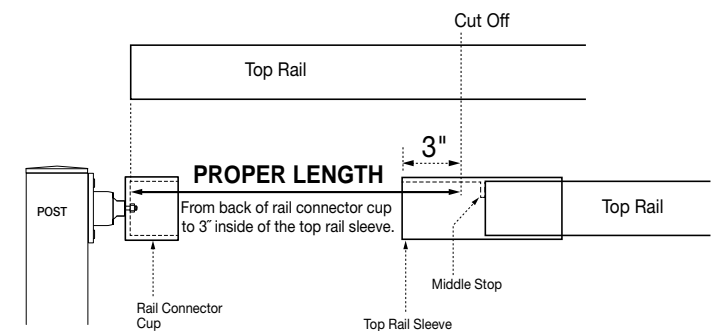
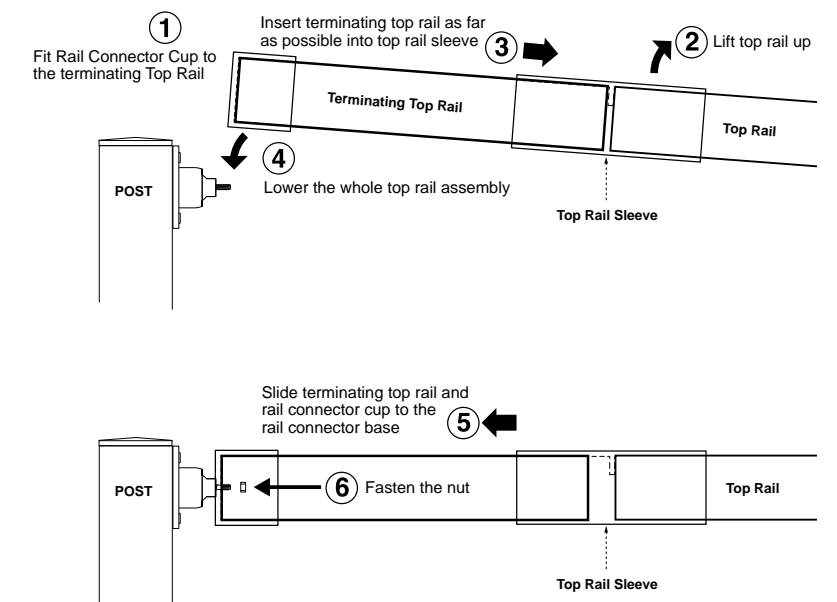
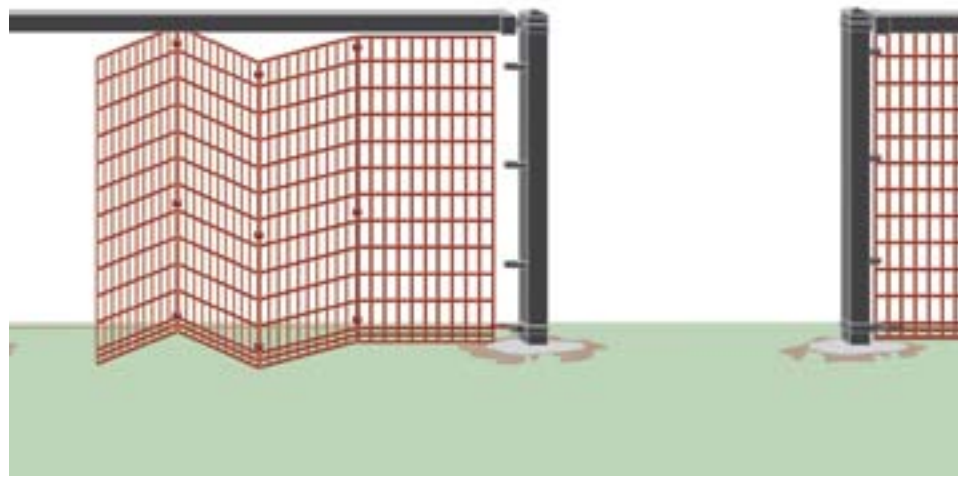


Fig. 11 Inserting the Terminating Top Rail





TOOLS AND MATERIALS

Installing Tension Wire

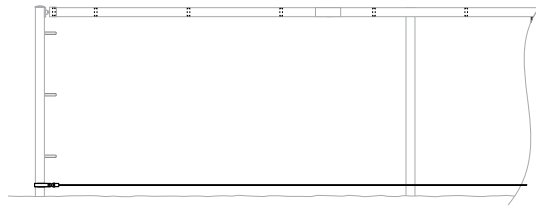
- Tape Measure
- Screwdriver (Phillips/Blade)
- Adjustable Wrench
- Wire Cutter
- Adjustable Pliers
- Cordless Drill

Installing Fence Panels

- Wire Cutter

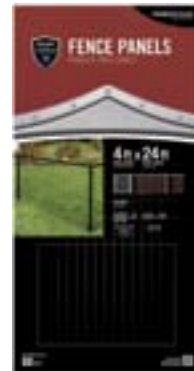
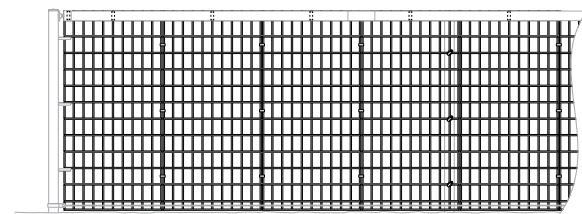
STAGE 2: PARTS LIST

TENSION WIRE (1000-034-747)



TENSION WIRE (1000-034-747)			QTY.
K		Tension Wire 200' Roll	1
		Panel-to-Wire Clip	100

FENCE PANELS (1000-034-736)



FENCE PANELS (1000-034-736)			QTY.
L		8' Fence Panel Section	3
M		Panel Clip	12

STEP 1: INSTALLING TENSION WIRE

- Position the tension band 3" from the ground (Fig. 12).
- Attach the tension wire ratchet (included in the Post Hardware Kit) to the tension band and tighten carriage bolt using an adjustable wrench (Fig. 12).
- Duplicate this step at the opposite corner, end, or gate post.
- Measure the distance between the two posts and add 1" to that measurement. Cut tension wire to size. (Fig. 13)
- Thread tension wire through hole in first ratchet and wrap using adjustable wrench making 3 to 4 rotations (Fig. 13 and 14).
- Stretch tension wire to tension wire ratchet at the opposite end of the fence line. Repeat the steps above and rotate until wire is tight.
- Repeat for each fence line.

Fig. 12 Tension Band Installation

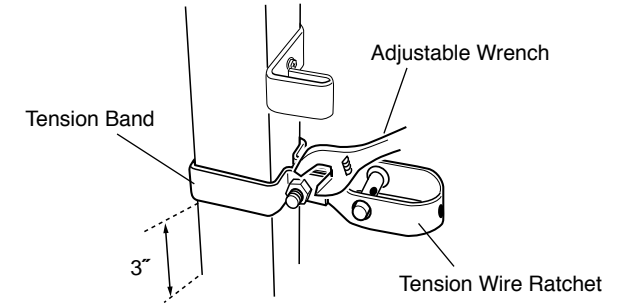


Fig. 13 Tension Wire Insertion

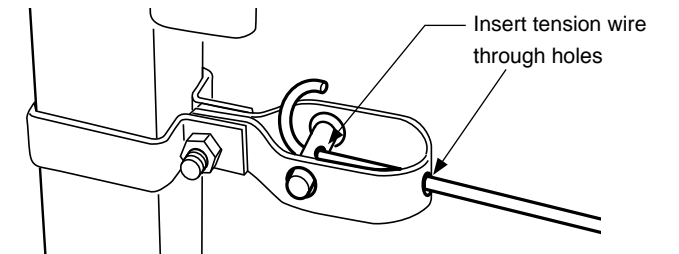
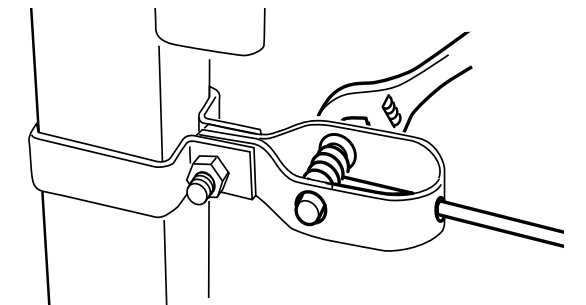


Fig. 14 Tighten Tension Wire



STEP 2: INSTALLING FENCE PANELS

IMPORTANT

Fence panels should be positioned on the outside of the tension wire.

- Unfold one section of fence panel (8'). Attach panel to all three panel-to-post brackets.
- Lift the fence panel section up into the rail. Insert a panel-to-rail clip inside the rail connector cup. Make sure the top wire is seated in the lip of the clip. Lock into place using supplied tool. (Fig. 15)

TIP

If fence panel sections don't align, tap panel-to-rail clips gently until fence panel sections touch each other.

- Repeat this process for each 8' section, positioning a clip in the center of each 2' panel (Fig. 16). Connect two panels together by using three panel clips.
- Continue installing in 8' sections until reaching the end of the fence line.
- Hook the terminating panel section to the three panel-to-post brackets on the terminating post and pull toward the previous panel section. If the terminating panel is not an even 2' you will need to cut the panel at the closest vertical wire using wire cutters. Flip panel so short panel connects to three post-to-panel clips. Connect the two panel sections with three panel clips. Secure the terminating fence panel to top rail by using panel-to-rail clips. (Fig. 17)
- Fasten fence panel to each line post with panel-to-post clips using self-tapping screws. (Fig. 18)
- Fasten top rail to each line posts using self tapping screws inserted from the curved side.
- Attach tension wire to fence panels with panel-to-wire clip using adjustable pliers. Attach one clip every 2'.

Fig. 15 Fence Panel Installation

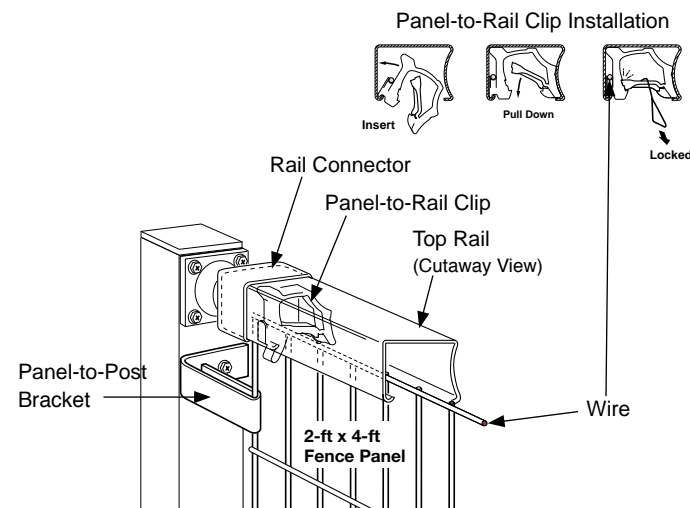


Fig. 16 Locations of Panel-to-Rail Clips and Panel Clips

- 1 Near center of each mesh panel
- 2 Inside of each rail connector cup
- 3 In both ends of each sleeve

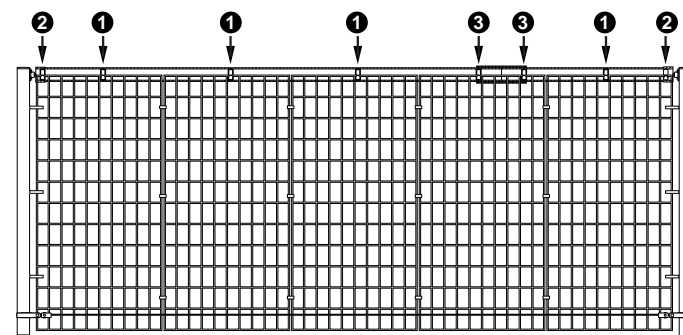


Fig. 18 Fence Panel Installation

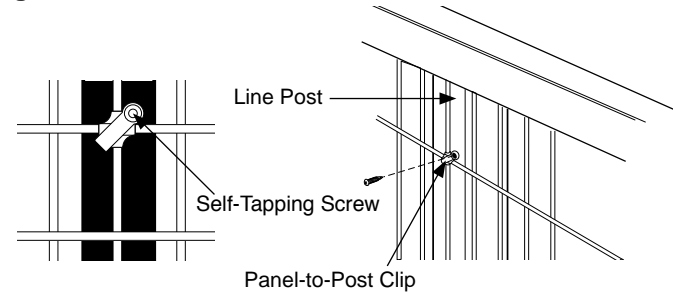
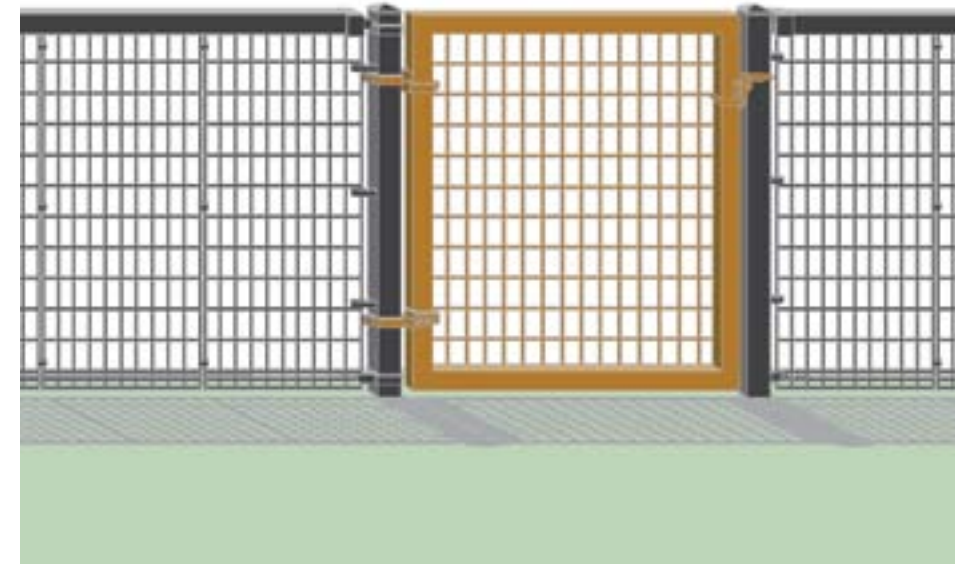
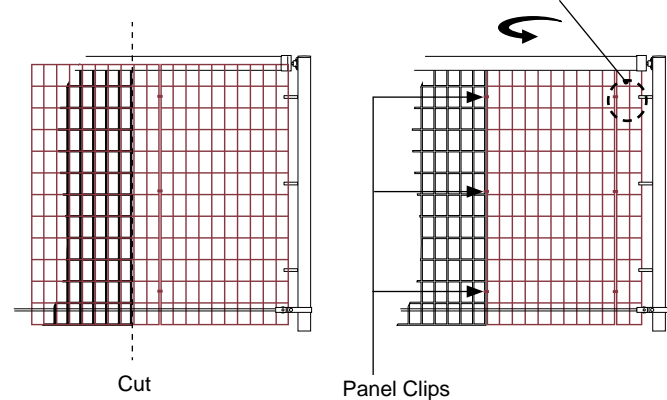


Fig. 17 Terminating Panel Installation

Red fence panel represents the terminating panel.

Overlap the terminating panel to the last full 8' section.

Flip panel so short panel connects to three post-to-panel clips.

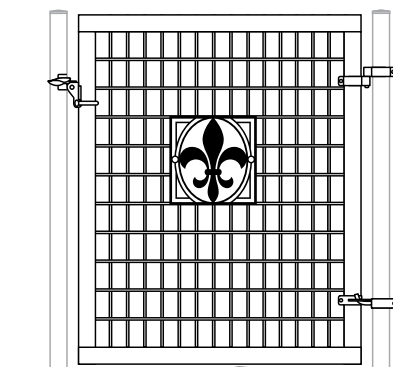


TOOLS AND MATERIALS

- Tape Measure
- Adjustable Wrench
- Cordless Drill
- 1/4" Nut Driver

STAGE 3: PARTS LIST

AUTO CLOSE GATE



* Decorative fence medallion sold separately at homedepot.com

AUTO CLOSE GATE (1000-034-737)			QTY.
N		4' Gate	1
O		Gate Latch	1
P		Self-Closing Gate Hinges	1
Q		PVC Post Protector	1
		Self-Tapping Screws	5

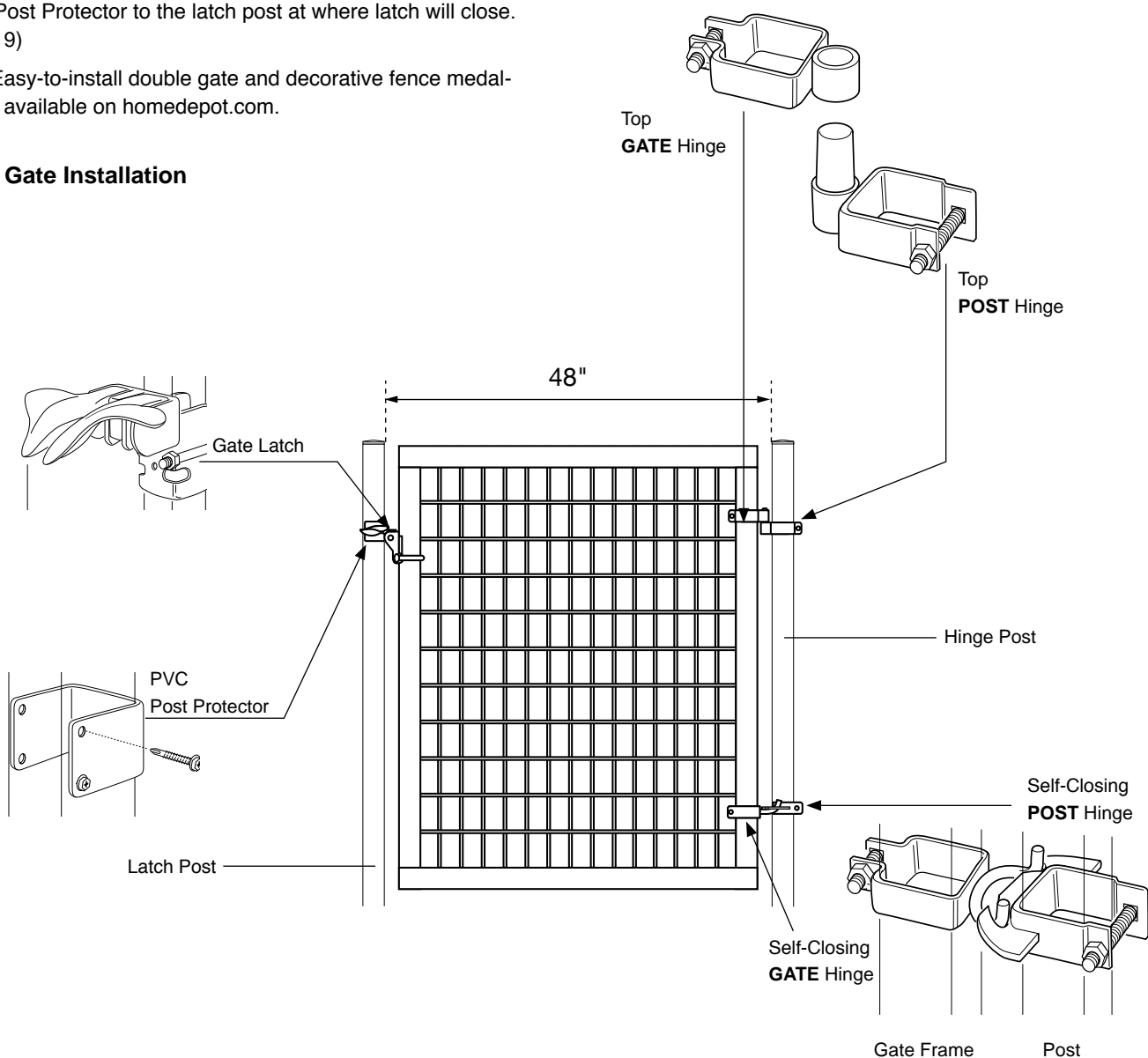
OPTIONAL (AVAILABLE ON HOMEDEPOT.COM)			QTY.
R		Decorative fence medallion*	4
		Decorative fence medallion*	1

3 STAGE 3: GATE INSTALLATION

- Determine which post will be the latch post and which will be the hinge post.
- Loosely install top post hinge with pin pointing up approximately 8" from the top of the hinge post (Fig. 19).
- Loosely install self-closing post hinge with pin pointing up approximately 10" from the bottom of the hinge post (Fig. 19).
- Loosely install top gate hinge to gate frame approximately 7" from the top of the hinge post (Fig. 19).
- Loosely install self-closing gate hinge to gate frame approximately 7" from the bottom of the gate (Fig. 19).
- Align the gate by placing it level with the top of the fence. Adjust the hinges to allow for full swing. Tighten all hinges.
- Install gate latch to the gate frame at the desired height. Install PVC Post Protector to the latch post at where latch will close. (Fig. 19)

NOTE: Easy-to-install double gate and decorative fence medallions are available on homedepot.com.

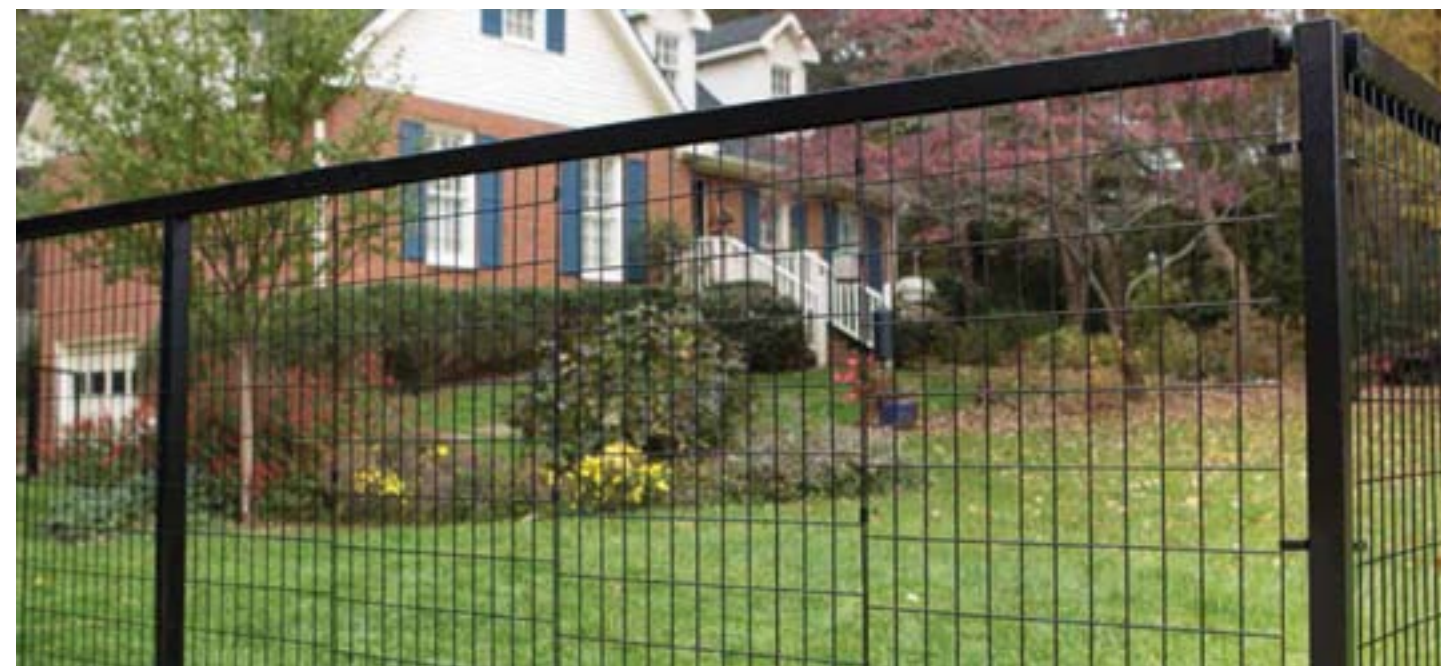
Fig. 19 Gate Installation



Instrucciones de instalación del YARDGARD SELECT™



Escanee para ver el video de instalación



ÍNDICE

PRIMEROS PASOS

ETAPA 1: INSTALACIÓN DEL ARMazón DE LA VALLA	13
Herramientas y materiales.....	13
Lista de piezas del armazón de la valla.....	13
Paso 1: Instalación de los postes de esquina, de extremo y de portón.....	14
Paso 2: Instalación de los postes de línea.....	15
Paso 3: Instalación de los herrajes de poste.....	16
Paso 4: Instalación del travesaño superior.....	17
ETAPA 2: INSTALACIÓN DE LOS PANELES DE LA VALLA	18
Herramientas y materiales.....	18
Lista de piezas de los paneles de la valla.....	18
Paso 1: Instalación del alambre tensor.....	19
Paso 2: Instalación de los paneles de la valla.....	20

ETAPA 3: INSTALACIÓN DEL PORTÓN	21
Herramientas y materiales.....	21
Lista de piezas del portón de cierre automático.....	21
Instalación del portón.....	22

COMO RECORDATORIO...

- ¿Ha completado su Guía de planificación y compra YARDGARD SELECT™?
- ¿Ha comprado todos los componentes del YARDGARD SELECT™ requeridos?
- ¿Tiene listas todas las herramientas y materiales recomendados?

PRIMEROS PASOS

Felicitaciones por su compra del Sistema de Vallado **YARDGARD SELECT™**. Por favor, siga las instrucciones paso a paso para realizar una instalación correcta.

- Use siempre anteojos de seguridad cuando trabaje con metales, ya que éstos podrían dañarle la vista. También se sugiere usar otras protecciones corporales, tales como rodilleras, guantes de trabajo, etc.
- Utilice su Guía de planificación y compra **YARDGARD SELECT™** para ayudarlo con su proceso de instalación.
- Antes de comenzar, visite homedepot.com o yardgardselect.com para ver nuestro video de instalación.

RECORDATORIO ANTES DE QUE COMIENCE A EXCAVAR.....

- Consulte los códigos locales en relación con la altura, las ubicaciones, etc. Es posible que se necesiten permisos.
- Consulte el plano parcelario o a un topógrafo profesional para asegurarse de que los cimientos de su valla estén ubicados dentro de las líneas de su propiedad.
- Consulte a la compañía local de servicios públicos para averiguar la ubicación de cables, tuberías subterráneas, etc. A continuación se proporciona una lista de verificación para su conveniencia.

- | | |
|---|--|
| <input type="checkbox"/> Cable de electricidad | <input type="checkbox"/> Sistema de aspersores |
| <input type="checkbox"/> Gas | <input type="checkbox"/> Cable de TV/Internet |
| <input type="checkbox"/> Tubería de alcantarillado | <input type="checkbox"/> Agua |
| <input type="checkbox"/> Otros (prepare su propia lista de verificación en el área de notas que se encuentra más adelante.) | |

HERRAMIENTAS Y MATERIALES

Cada sección tendrá una lista de Herramientas y Materiales necesarios para completar el trabajo. A continuación se presenta una lista maestra de las herramientas que necesitará para completar todas las etapas de instalación.

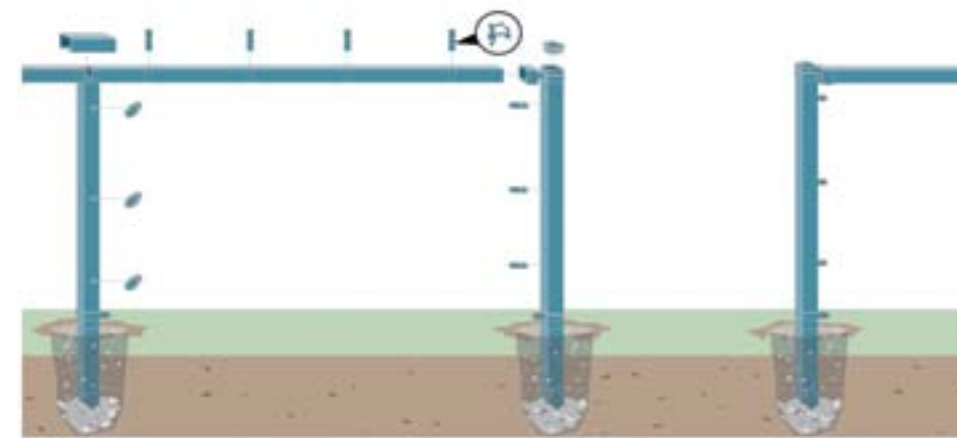
Instalación de los postes

- Ahoyador para postes
- Pala
- Cubeta para mezclar
- Concreto de fraguado rápido: (1) saco de 50 lb por poste
- Cinta métrica
- Cordel
- Estacas
- Nivel

Ensamblaje del armazón y los paneles de malla de alambre

- Sierra para metales o sierra alternativa
- Llave ajustable
- Alicates ajustables
- Broca taladradora de 1/8 de pulgada
- Taladro inalámbrico
- Aprietatuercas de 1/4 de pulgada
- Broca Phillips
- Cortador de alambre
- Black Spray Paint

1 ETAPA 1: INSTALACIÓN DEL ARMAZÓN DE LA VALLA



HERRAMIENTAS Y MATERIALES

Instalación de los postes

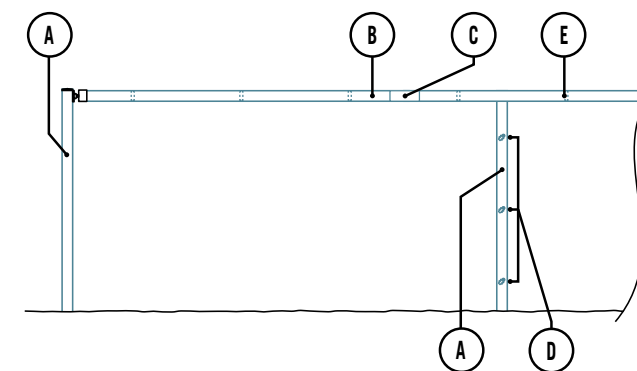
- Ahoyador para postes
- Pala
- Cubeta para mezclar
- Concreto de fraguado rápido: (1) saco de 50 lb por poste
- Cinta métrica
- Cordel
- Estacas
- Nivel

Ensamblaje del armazón

- Sierra para metales o sierra alternativa
- Alicates ajustables
- Broca taladradora de 1/8 de pulgada
- Taladro inalámbrico
- Aprietatuercas de 1/4 de pulgada
- Broca Phillips
- Pintura negra en aerosol

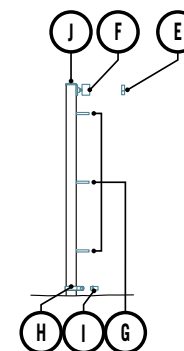
ETAPA 1: LISTA DE PIEZAS

ARMAZÓN DE VALLA DE 4 x 24 PIES



ARMAZÓN DE VALLA DE 4 x 24 PIES (1000-035-156)			CANT.
A		Poste de 6 pies	3
B		Travesaño de 8 pies	3
C		Manga de travesaño	3
D		Clip de panel a poste	9
E		Clip de panel a travesaño	18
---		Tornillo autorroscante	28

KIT DE HERRAJES DE POSTE



KIT DE HERRAJES DE POSTE (1000-034-742)			CANT.
F		Conector de travesaño	1
G		Soporte de panel a poste	3
H		Cinta tensora	1
I		Trinquete para alambre tensor	1
J		Tapa de poste	1
---		Tornillo autorroscante	10
E		Clip de panel a travesaño	1

1 ETAPA 1: INSTALACIÓN DEL ARMAZÓN DE LA VALLA

PASO 1: INSTALACIÓN DE LOS POSTES DE ESQUINA, DE EXTREMO Y DE PORTÓN

CONSEJO Tenga disponible su Guía de disposición de la valla antes de comenzar la instalación de su Sistema de Vallado **YARDGARD SELECT™**.

- Consultando su Guía de disposición de la valla, marque con estacas las ubicaciones de todos los postes de esquina, de extremo y de portón. Los postes de portón siempre deberán estar separados 48 pulgadas uno de otro. (Fig. 1)

IMPORTANTE Antes de instalar cualquier poste, asegúrese de que las ubicaciones de los postes no estén encima de las marcas identificadas por las compañías de servicios públicos locales.

- Cave agujeros para poste en todas las ubicaciones marcadas con estacas, utilizando un ahoyador para postes eléctrico o manual. Cada agujero para poste deberá tener 6 pulgadas de ancho y 22 pulgadas de profundidad. (Fig. 2)
- Marque una línea de "terreno" en la parte de abajo de cada poste, a **50 pulgadas** de su parte superior (Fig. 1). **Si está realizando la instalación en terreno sumamente desigual o pasto grueso, marque la línea a 51 pulgadas.**
- Inserte los postes marcados en el centro de los agujeros para poste. Alinee con el terreno la línea de "terreno" ubicada en los postes. Añada grava según sea necesario para lograr la altura deseada (Fig. 2).

CONSEJO Si un agujero para poste de esquina está en un punto bajo o alto, podría ser necesario nivelar el área añadiendo o quitando tierra de la capa superior (Fig. 3).

- Añada concreto de fraguado rápido al agujero para poste. Mientras el concreto esté fraguando, asegúrese de que el poste esté aplomado en todos los lados utilizando un nivel (Fig. 4). Compruebe que la línea de "terreno" aún está nivelada con el terreno. Haga ajustes según sea necesario. Consulte las instrucciones del concreto de fraguado rápido para conocer el tiempo de fraguado.
- Corone todo el concreto en los cimientos de los postes para que el agua corra alejándose de los postes. Antes de que el concreto haya fraguado por completo, lave suavemente la superficie de los postes para eliminar los residuos de concreto.

NOTA: Cada agujero para poste requerirá aproximadamente (1) saco de concreto de fraguado rápido de 50 lb.

Fig. 1

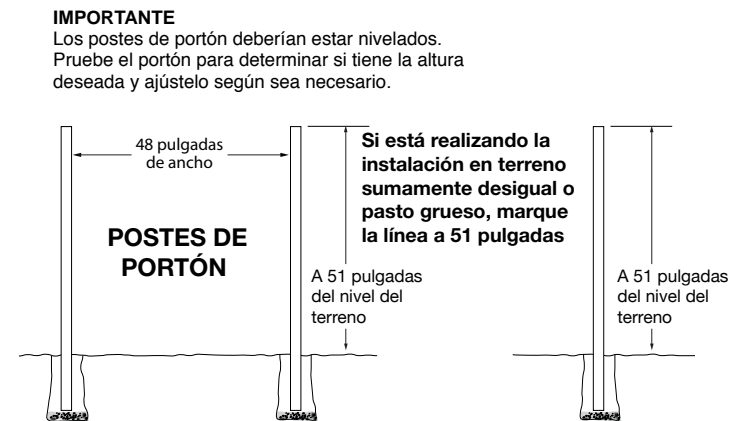


Fig. 2

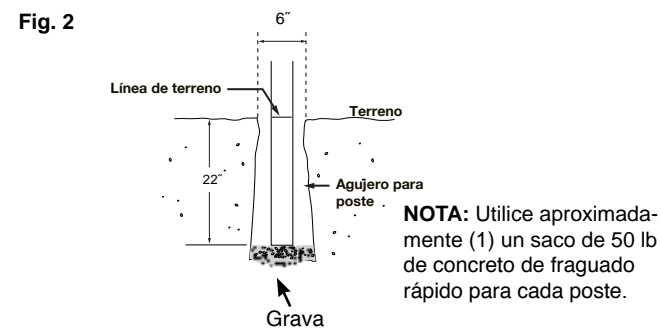


Fig. 3 Nivelación de la superficie de tierra para ajustar los cimientos de concreto

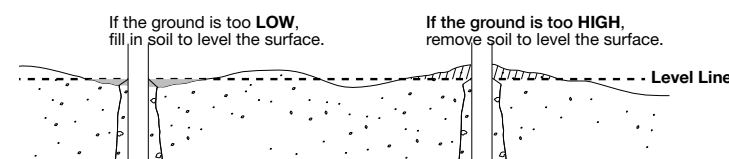
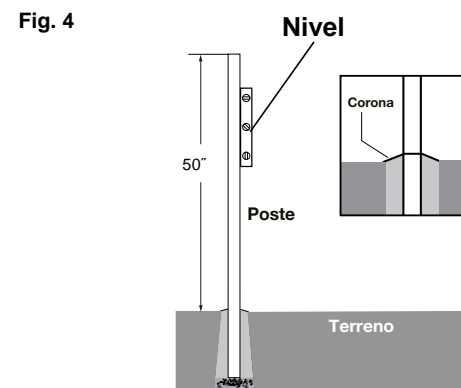
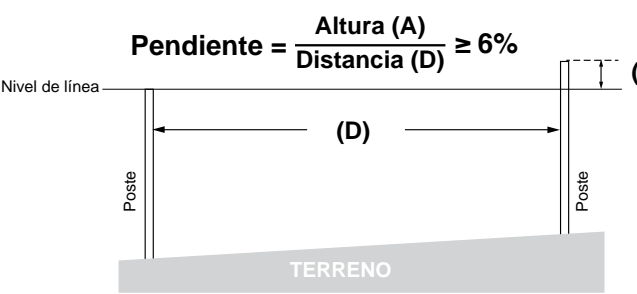


Fig. 4



ALTO Antes de proceder al **PASO 2**, determine si la pendiente de la longitud de su instalación excede el 6%. Visite homedepot.com o yardgardselect.com para obtener instrucciones alternativas de instalación.



1 ETAPA 1: INSTALACIÓN DEL ARMAZÓN DE LA VALLA

PASO 2: INSTALACIÓN DE LOS POSTES DE LÍNEA

- Amarre un poste con cuerda de albañil al poste a lo largo de la línea de su valla y apriételo firmemente a presión (Fig. 5).
- Utilizando la separación de los postes de línea calculada en su **Guía de disposición de la valla**, coloque estacas en las ubicaciones de los postes de línea.
- Excave los agujeros para los postes de línea siguiendo el mismo proceso utilizado en el Paso 1 (Fig. 2).
- Centre los postes de línea en los agujeros y añada concreto de fraguado rápido.
- Antes de que el concreto fragüe, suba o baje los postes de línea de manera que su parte superior toque la cuerda de albañil (Fig. 6). Asegúrese de que los postes estén aplomados.
- Corone todo el concreto en los cimientos de los postes para que el agua corra alejándose de los postes. Antes de que el concreto fragüe por completo, lave suavemente la superficie de los postes para eliminar los residuos de concreto.

Fig. 5 Amarre de una cuerda de albañil

Para obtener una guía simple y efectiva, utilice una cuerda de albañil:

- Enróllela cerca de la parte superior del poste
- Haga un bucle con ella alrededor de una sección horizontal y luego hacia arriba y por encima de la parte superior
- Manténgala tan cerca de la esquina (borde exterior) como sea posible

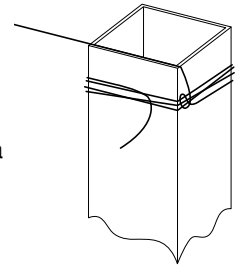
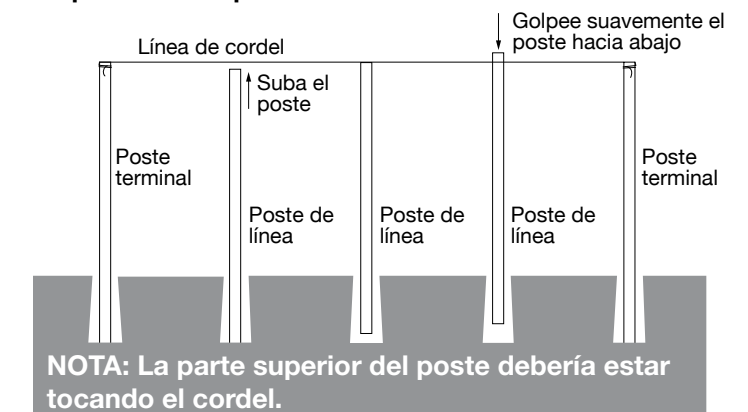


Fig. 6

Nivele los postes para que estén a la misma altura respecto a la superficie del terreno.



1 ETAPA 1: INSTALACIÓN DEL ARMAZÓN DE LA VALLA

PASO 3: INSTALACIÓN DE LOS POSTES

IMPORTANTE

Antes de instalar los herrajes, asegúrese de que los postes estén completamente asentados. Se requiere un taladro inalámbrico para instalar los tornillos autorroscantes.

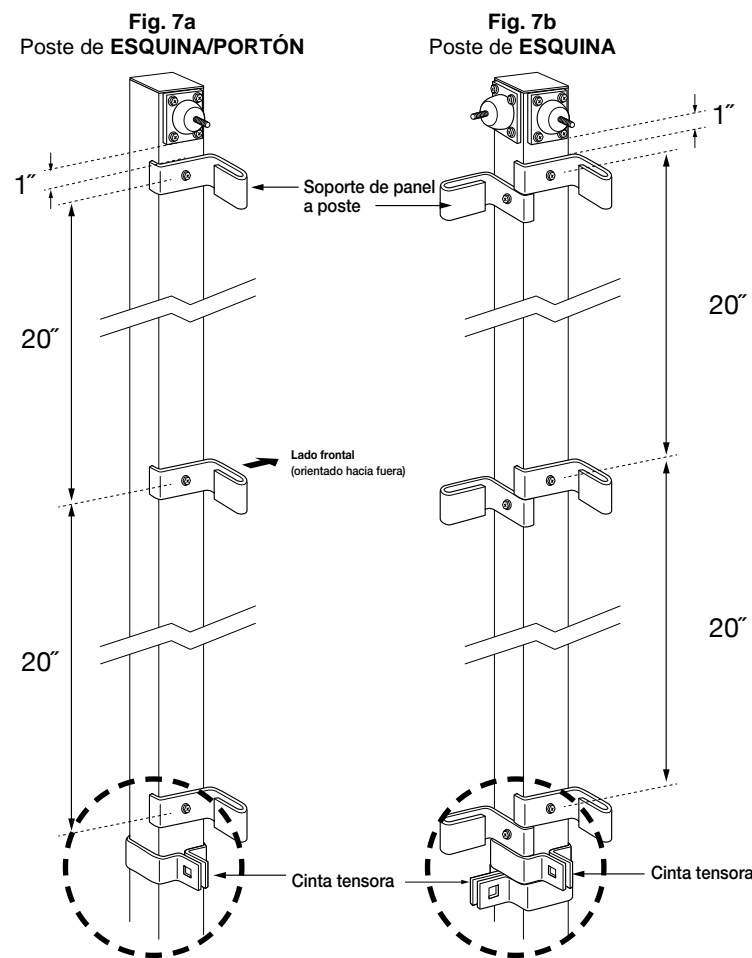
- Deslice una cinta tensora sobre cada poste de extremo y cada poste de portón. Deslice dos cintas tensoras perpendicularmente una a otra sobre cada poste de esquina (parte inferior de la Fig. 7). No apriete las cintas tensoras hasta la **ETAPA 2**. Instale la tapa de poste.
- Retire la copa del conector de travesaño de la base del conector de travesaño aflojando y quitando la tuerca y la arandela. (Fig. 8a)
- Instale la base del conector de travesaño en la parte superior de cada poste con tornillos autorroscantes. (Fig. 8b)

CONSEJO

Se sugiere pretaladrar agujeros para instalar la copa del conector de travesaño.

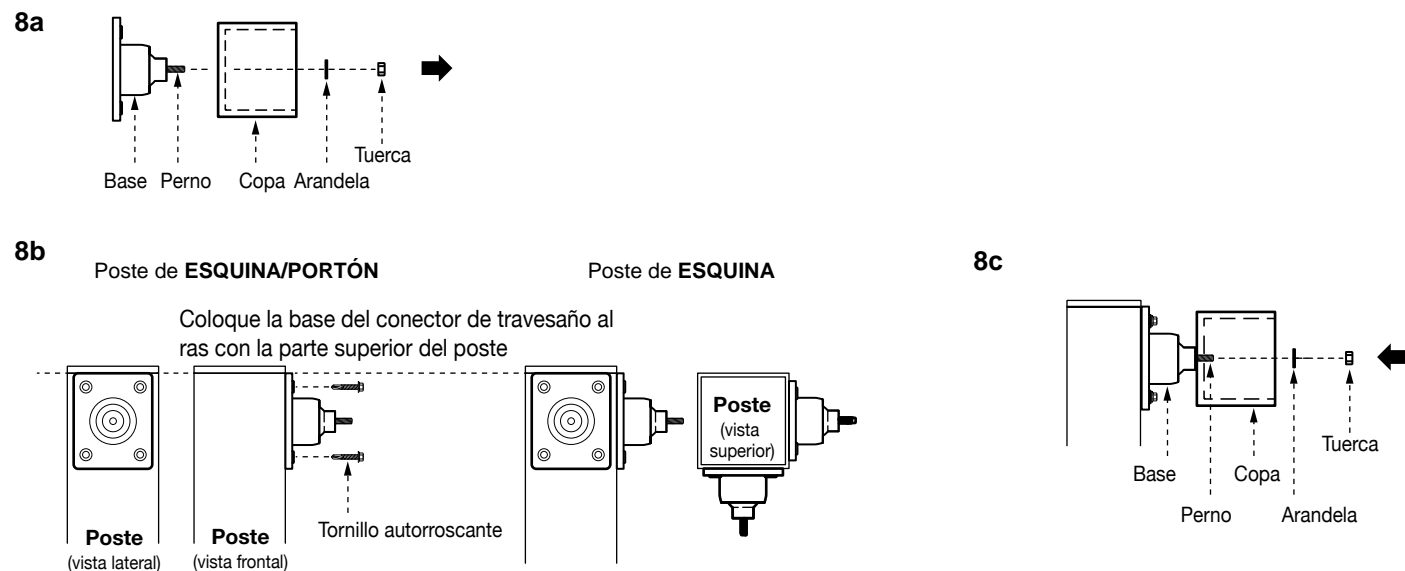
- Reconecte la copa del conector de travesaño de vuelta a la base (Fig. 8c).
- Cada poste de extremo y de portón requerirá tres soportes de panel a poste. Instale el primer soporte de panel a poste 1 pulgada por debajo de la base del conector de travesaño con tornillos autorroscantes (Fig. 7a).
- Instale **SIEMPRE** los soportes de panel a poste con el lado plano orientado hacia fuera.
- Instale el segundo soporte 20 pulgadas por debajo del primero (de centro a centro). Instale el tercer soporte 20 pulgadas por debajo del segundo (Fig. 7a).
- Cada poste de esquina requerirá seis soportes de panel a poste. Vea la Fig. 7b para conocer la ubicación y colocación de los soportes.

Fig. 7 Instalación de los herrajes



IMPORTANTE: Inserte las cintas tensoras antes de instalar los soportes de poste a panel y los conectores de travesaño.

Fig. 8 Ensamblaje de conector de travesaño



1 ETAPA 1: INSTALACIÓN DEL ARMAZÓN DE LA VALLA

PASO 4: INSTALACIÓN DEL TRAVESAÑO SUPERIOR

IMPORTANTE

Instale **SIEMPRE** el travesaño superior con el lado plano orientado hacia fuera.

- Inserte el travesaño superior en la copa del conector de travesaño. Fije el travesaño a la copa con un tornillo autorroscante insertado desde el lado curvo (Fig. 9).
- Posicione la primera sección de travesaño superior sobre los postes de línea. Para conectar la siguiente sección de travesaño superior, inserte una manga de travesaño sobre el travesaño superior. Inserte la siguiente sección de travesaño superior en el extremo opuesto de la manga de travesaño.
- Fije las mangas de travesaño a los travesaños superiores con tornillos autorroscantes (Fig. 9). **NO** fije los travesaños a los postes de línea. En el caso de que la manga de travesaño esté alineada con un poste de línea, **NO** fije la manga de travesaño en este momento. **NO** fije con sujeciones la manga de travesaño para la sección terminal en este momento.
- Siga el mismo proceso hasta que llegue a la sección terminal de la línea de su valla.
- Mida la última sección de travesaño superior desde la manga de travesaño (3 pulgadas hacia dentro) hasta la parte trasera de la copa del conector de travesaño (Fig. 10).
- Siga la secuencia numérica de la Fig. 11 para conectar el travesaño terminal superior al poste.
- Después de que la sección terminal esté colocada en su sitio, fije la manga de travesaño para la sección terminal.
- **NO** fije con sujeciones el travesaño superior a los postes de línea en este momento. Esto se hará en la Etapa 2 después de que se hayan insertado los paneles de la valla.
- Repita el mismo proceso para cada línea de la valla.

Fig. 9

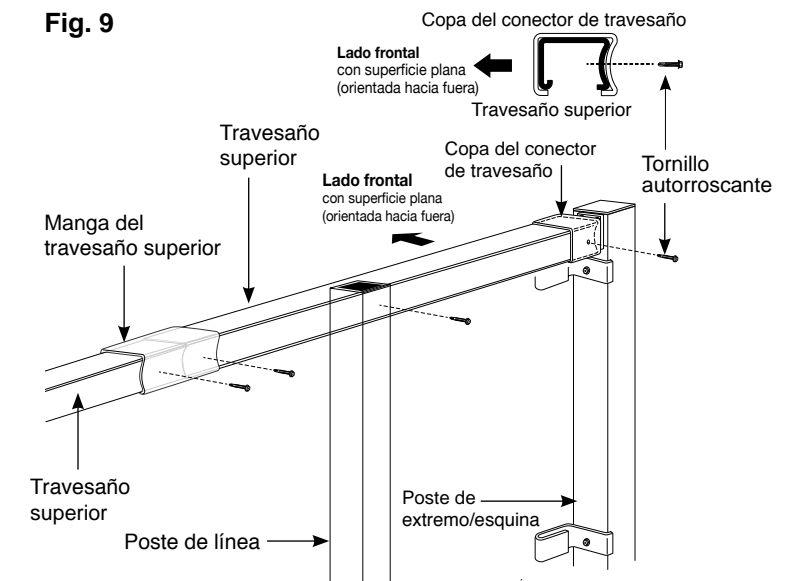


Fig. 10 Medición de la longitud apropiada

IMPORTANTE : Mida siempre desde la pared interior de la copa del conector de travesaño hasta 3 pulgadas en el interior de la manga del travesaño superior.

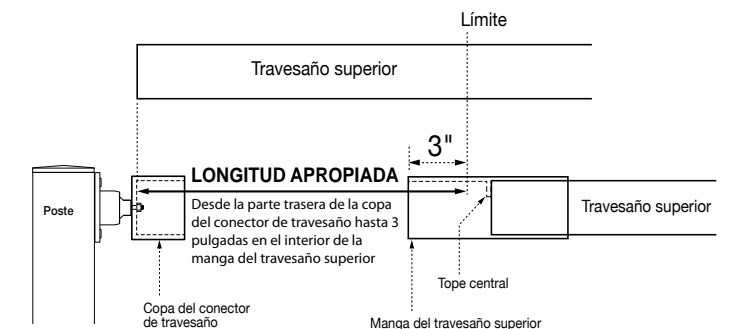
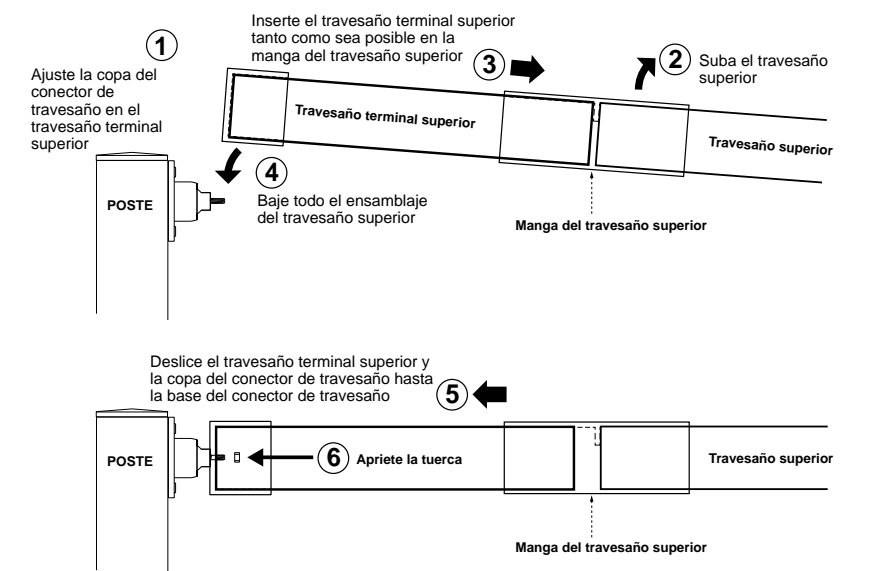
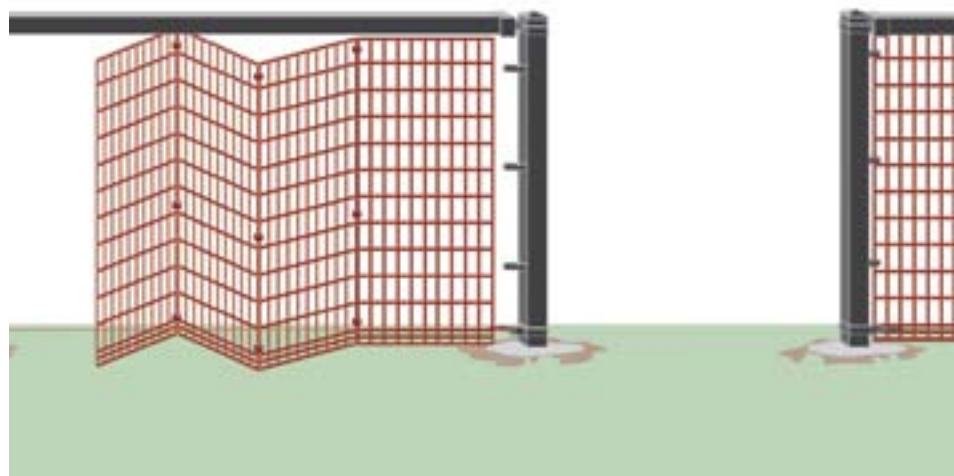


Fig. 11 Inserción del travesaño terminal superior



2 ETAPA 2: INSTALACIÓN DE LOS PANELES DE LA VALLA



HERRAMIENTAS Y MATERIALES

Instalación del alambre tensor

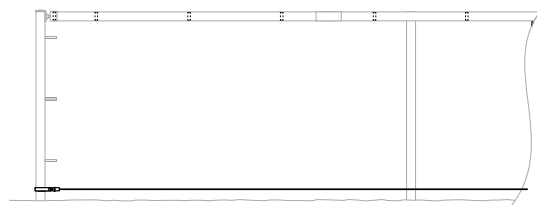
- Cinta métrica
- Destornillador (Phillips/de hoja plana)
- Llave ajustable
- Cortador de alambre
- Alicates ajustables
- Taladro inalámbrico

Instalación de los paneles de la valla

- Cortador de alambre

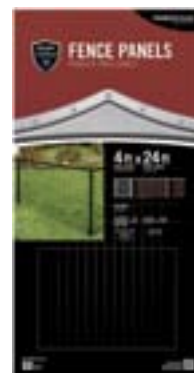
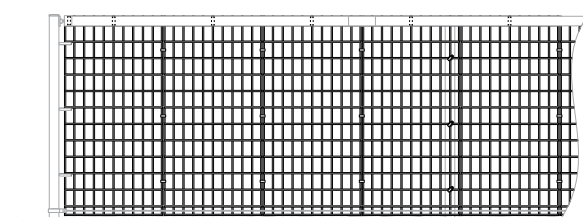
ETAPA 2: LISTA DE PIEZAS

ALAMBRE TENSOR (1000-034-747)



ALAMBRE TENSOR (1000-034-747)			CANT.
K		Alambre tensor Rollo de 200 pies	1
		Clip de panel a alambre	100

PANELES DE VALLA (1000-034-736)



PANELES DE VALLA (1000-034-736)			CANT.
L		Sección de paneles de valla de 8 pies	3
M		Clip de panel	12

2 ETAPA 2: INSTALACIÓN DE LOS PANELES DE LA VALLA

PASO 1: INSTALACIÓN DEL ALAMBRE TENSOR

- Posicione la cinta tensora a 3 pulgadas del terreno (Fig. 12).
- Acople el trinquete para alambre tensor (incluido en el Kit de herrajes de poste) en la cinta tensora y apriete el perno de carruaje utilizando una llave ajustable (Fig. 12).
- Repita este paso en el poste opuesto de esquina, de extremo o de portón.
- Mida la distancia entre los dos postes y añada 1 pulgada a esa medida. Corte el alambre tensor con el tamaño deseado. (Fig. 13)
- Inserte el alambre tensor a través del agujero ubicado en el primer trinquete y enróllelo utilizando la llave ajustable, haciendo de 3 a 4 rotaciones (Fig. 13 y 14).
- Estire el alambre tensor hasta el trinquete para alambre tensor ubicado en el extremo opuesto de la línea de la valla. Repita los pasos anteriores y rote hasta que el alambre esté tenso.
- Repita el proceso para cada línea de la valla.

Fig. 12 Instalación de la cinta tensora

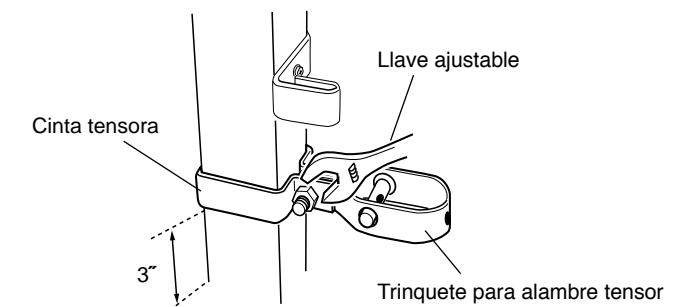


Fig. 13 Inserción de la cinta tensora

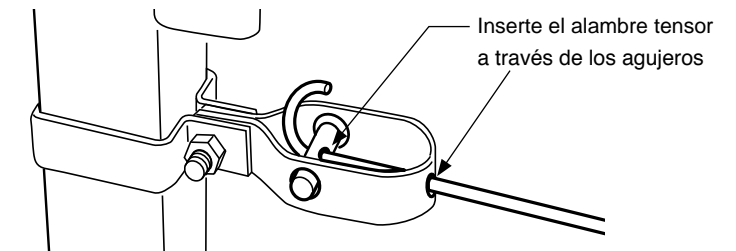
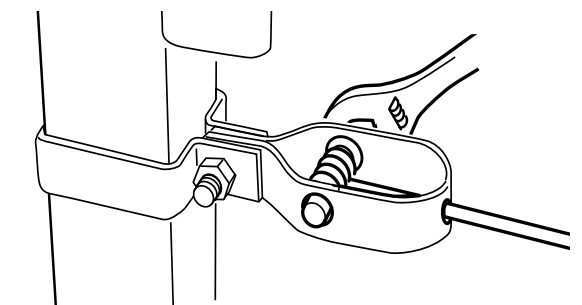


Fig. 14 Apriete el alambre tensor



2 ETAPA 2: INSTALACIÓN DE LOS PANELES DE LA VALLA

PASO 2: INSTALACIÓN DE LOS PANELES DE LA VALLA

IMPORTANTE

Los paneles de la valla se deberán posicionar en el exterior del alambre tensor.

- Desdoble una sección de paneles de valla (8 pies). Acople el panel a los tres soportes de panel a poste.
- Suba la sección de paneles de valla hacia el interior del travesaño. Inserte un clip de panel a travesaño en el interior de la copa del conector de travesaño. Asegúrese de que el alambre superior esté asentado en el reborde del clip. Bloquéelo en la posición correcta. (Fig. 15)

CONSEJO

Si las secciones de paneles de la valla no se alinean, golpee suavemente los clips de panel a travesaño hasta que las secciones de paneles de la valla se toquen una a otra.

- Repita este proceso para cada sección de 8 pies, posicionando un clip en el centro de cada panel de 2 pies (Fig. 16). Conecte dos paneles juntos utilizando tres clips de panel.
- Continúe instalando en secciones de 8 pies hasta que llegue al final de la línea de la valla.
- Enganche la sección del panel terminal a los tres soportes de panel a poste ubicados en el poste terminal y júlela hacia la sección de panel previa. Si el panel terminal no mide exactamente 2 pies, será necesario cortar el panel en el alambre vertical más cercano utilizando el cortador de alambre. Voltee el panel de manera que el panel corto se conecte a tres clips de poste a panel. Conecte las dos secciones de panel con tres clips de panel. Fije el panel terminal de la valla al travesaño superior utilizando clips de panel a travesaño. (Fig. 17)
- Fije el panel de la valla a cada poste de línea con clips de panel a poste utilizando tornillos autorroscantes. (Fig. 18)
- Fije el travesaño superior a cada poste de línea utilizando tornillos autorroscantes insertados desde el lado curvo.
- Fije el alambre tensor a los paneles de la valla con el clip de panel a alambre, utilizando los alicates ajustables. Instale un clip cada 2 pies.

Fig. 17 Instalación del panel terminal

El panel rojo de la valla representa el panel terminal.

Superponga el panel terminal a la última sección de 8 pies completa.

Voltee el panel de manera que el panel corto se conecte a tres clips de poste a panel.

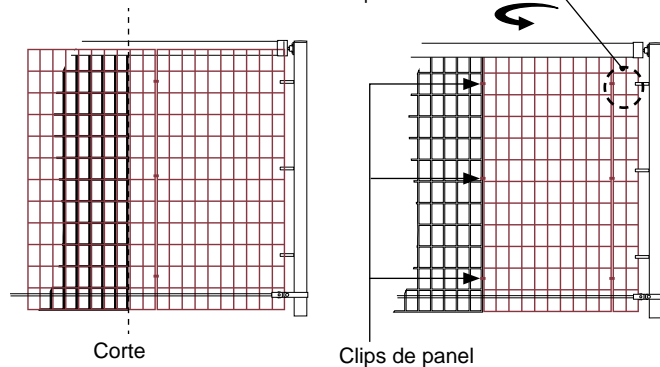


Fig. 15 Instalación de los paneles de la valla

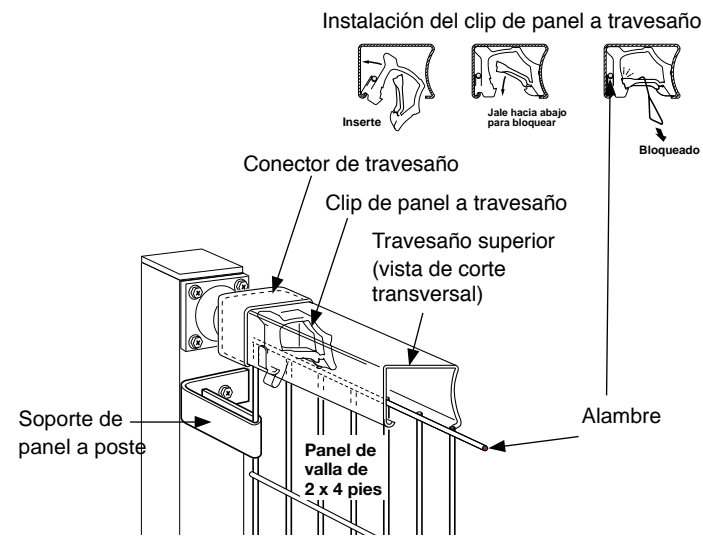


Fig. 16 Ubicaciones de los clips de panel a travesaño y los clips de panel

- 1 Cerca del centro de cada panel de malla
- 2 Dentro de la cada copa de conector de travesaño
- 3 En ambos extremos de cada manga

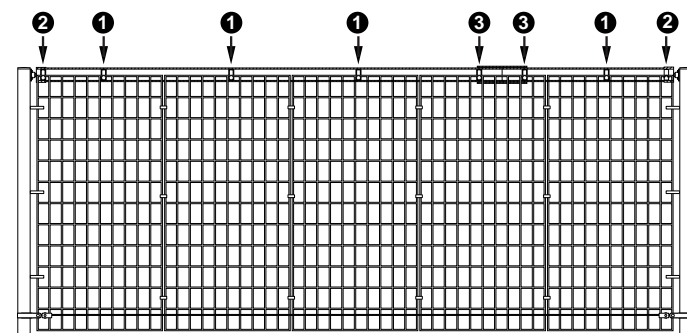
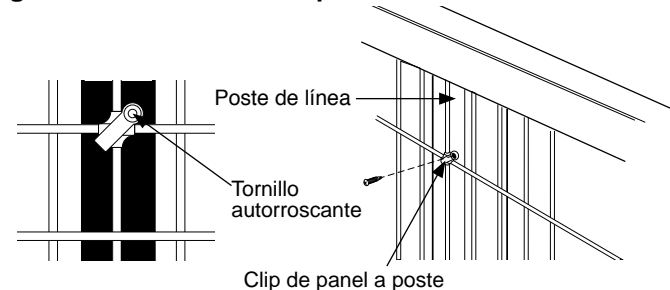
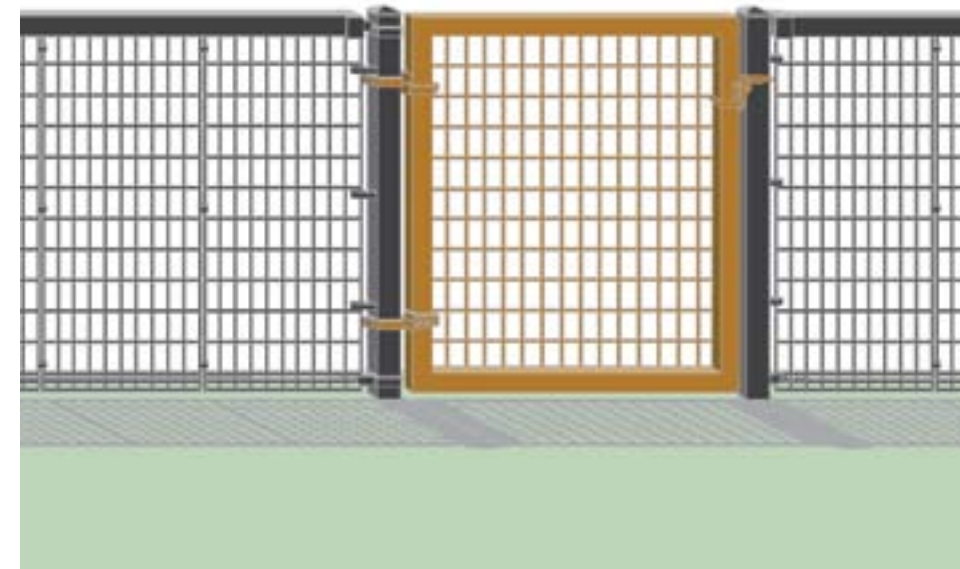


Fig. 18 Instalación de los paneles de la valla



3 ETAPA 3: INSTALACIÓN DEL PORTÓN

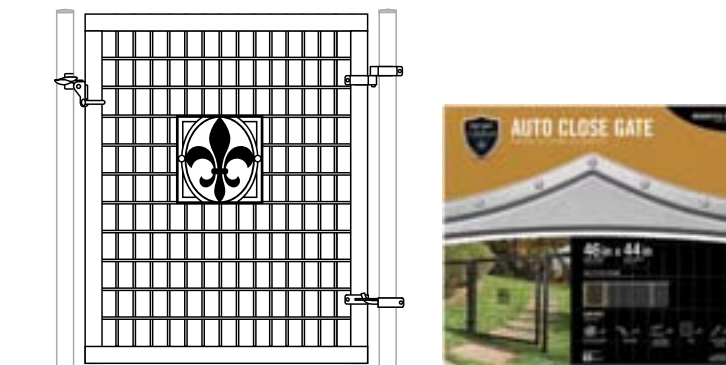


HERRAMIENTAS Y MATERIALES

- Cinta métrica
- Llave ajustable
- Taladro inalámbrico
- Aprietatuercas de 1/4 de pulgada

ETAPA 3: LISTA DE PIEZAS

PORTÓN DE CIERRE AUTOMÁTICO



* El medallón decorativo de vallas se vende por separado en homedepot.com

PORTÓN DE CIERRE AUTOMÁTICO (1000-034-737)			CANT.
N		Portón de 4 pies	1
O		Pestillo del portón	1
P		Bisagras de portón de cierre automático	1
Q		Protector de poste de PVC	1
		Tornillos autorroscantes	5

OPCIONALES (DISPONIBLES EN HOMEDEPOT.COM)			CANT.
R		Medallón decorativo de vallas*	4
		Medallón decorativo de vallas*	1

3

ETAPA 3: INSTALACIÓN DEL PORTÓN

- Determine qué poste será el poste del pestillo y qué poste será el poste de las bisagras.
- Instale la bisagra del poste superior sin apretarla, con el pasador orientado hacia arriba, aproximadamente a 8 pulgadas de la parte superior del poste de las bisagras (Fig. 19).
- Instale la bisagra de poste de cierre automático sin apretarla, con el pasador orientado hacia arriba, aproximadamente a 10 pulgadas de la parte inferior del poste de las bisagras (Fig. 19).
- Instale la bisagra superior del portón sin apretarla en el armazón del portón aproximadamente a 7 pulgadas de la parte superior del poste de las bisagras (Fig. 19).
- Instale la bisagra de portón de cierre automático sin apretarla en el armazón del portón aproximadamente a 7 pulgadas de la parte inferior del portón (Fig. 19).
- Alinee el portón colocándolo de manera que esté nivelado con la parte superior de la valla. Ajuste las bisagras para permitir un giro completo. Apriete todas las bisagras.
- Instale el pestillo del portón en el armazón del portón a la altura deseada. Instale el protector de poste de PVC en el poste del pestillo en el cual se cerrará el pestillo. (Fig. 19)

NOTA : Puede conseguir un portón doble fácil de instalar y medallones decorativos de vallas en homedepot.com.

Fig. 19 Instalación del portón

