

Installation Instructions

Model Concord™ and Silhouette™



Quality.

"We Set The Standard."

**Contractors
Wardrobe®**

DESIGNERS • MANUFACTURERS

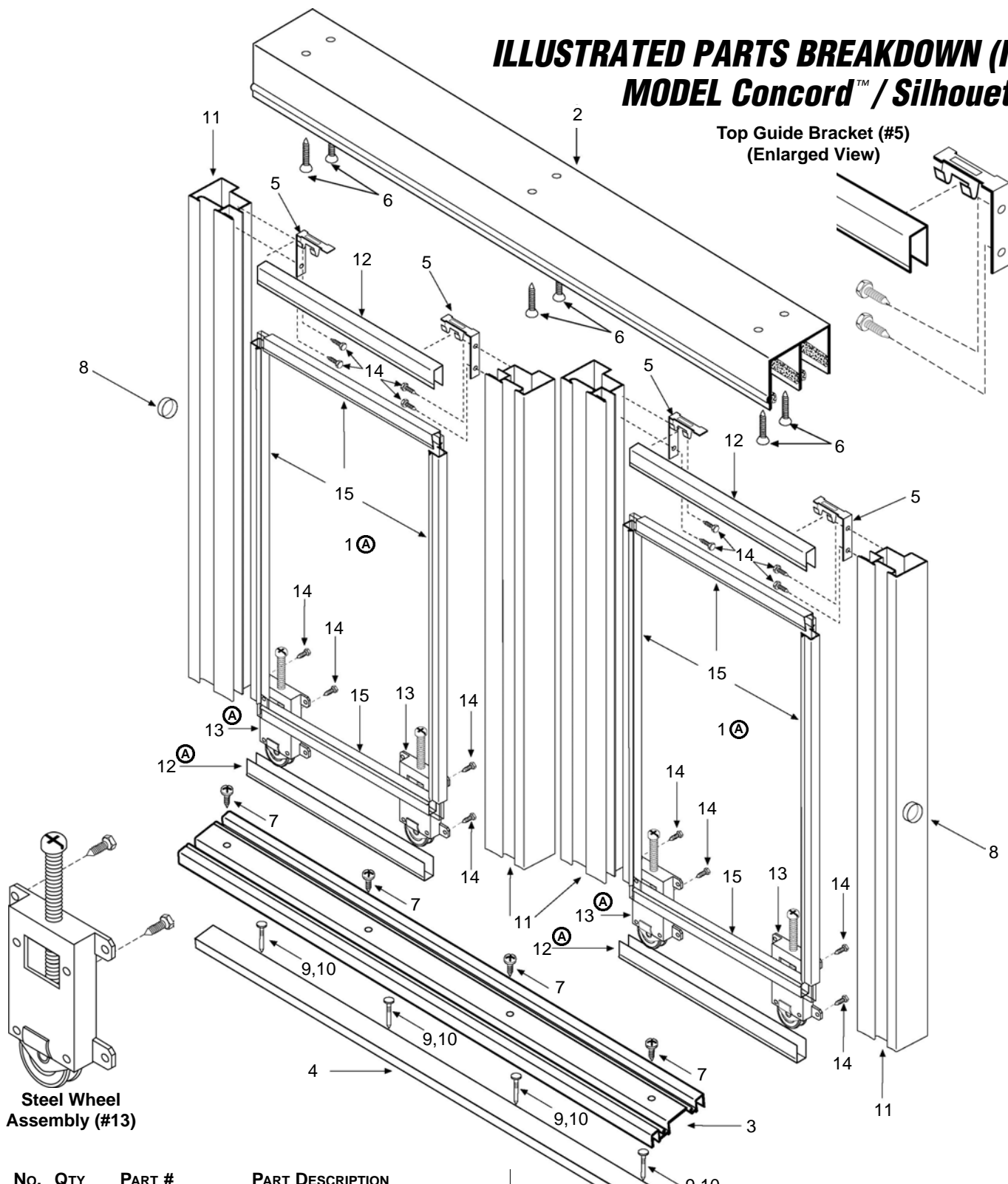
26121 Avenue Hall • Valencia, CA 91355

TOLL FREE: (800) CW-DOORS ((800) 293-6677)

(661) 257-1177 • FAX: (661) 257-4907

or visit our website at: www.cwdoor.com

ILLUSTRATED PARTS BREAKDOWN (IPB) MODEL Concord™ / Silhouette™



Steel Wheel Assembly (#13)






No.	QTY	PART #	PART DESCRIPTION
#1	2		Mirrored Glass Panels (A)
#2	1	A1012 F2020	Ultraglide® Top Channel with Felt Liner
#3	1	A2020	Bottom Track
#4	1	W0101	Wood Strip
#5	4	B3000	Top Guide Bracket
#6	4	S0095	#8 x 1-1/2 PH SMS Screw
#7	6	S0060	#8 x 1/2 Truss Screw
#8	4	B0101	Clear Plastic Bumper
#9	2	N2030	Concrete Nail

No.	QTY	PART #	PART DESCRIPTION
#10	4	N1030	5 Penny Nail
#11	4	A4810	Side Mold
#12	4	A3800	Top and Bottom Mold (A)
#13	4	W8020	Steel Wheel Assembly (A)
#14	16	S0084	#6 x 3/8 Hex Head Screw
#15	2	G2120	Glazing Vinyl

(A) Silhouette Series has different parts, see Supplemental Sheet Page 6.

Congratulations on purchasing your new CW® Wardrobe Doors. Now that you have opened the package, we want you to verify that you have all the necessary hardware supplied with your doors.

PARTS CHECK LIST:

No.	QTY	DESCRIPTION
(#1)	2	Mirrored Glass Panels [Ⓐ]
(#2)	1	Ultraglide® Top Channel with Felt Liner
(#3)	1	Bottom Track
(#4)	1	Wood Strip (located inside of track)
(#6)	6	#8 x 1-1/2 PH SMS Screws: 
(#7)	4	#8 x 1/2 Truss Screws: 
(#8)	2	Clear Plastic Bumpers: 
(#9)	4	Concrete Nails: 
(#10)	4	5 Penny Nails: 

If you find that any parts are damaged or missing, refer to the Parts Check List and IPB Drawing and contact Contractors Wardrobe®'s Customer Service Department at 661-257-1177.

TOOL CHECK LIST:

You will need:

1. Phillips Screwdriver
2. Tape Measure
3. Hammer
4. Pencil
5. 3/8 Drill Motor and 3/16 and 1/8 Drill Bits
6. Miter Box and Hacksaw
7. Square
8. Glass Cutter for optional Mirror Fascia
9. Four 1 Screws and Screw Anchors (For ceramic tile floors only. See Floor Check List #5.)
10. Adhesive (For ceramic tile floors only. See Floor Check List #5.)

Ⓐ Silhouette Series has different parts, see Supplemental Sheet Page 6.

FLOOR CHECK LIST

1. Do you have carpet?

It is highly recommended that if you have carpet and do not have a cut-out in the carpet already, you should cut the carpet in order to install the Bottom Track (#3). We do not recommend installing the Bottom Track (#3) directly on top of carpet.

2. Do you have a concrete, wood floor or ceramic tile floor?

- A. If it is a concrete floor, go to 3...
- B. If it is a wood floor, go to 4...
- C. If it is a ceramic tile floor, go to 5...

3. If you have a concrete floor you will: Use Concrete Nails (#9) to attach Wood Strip (#4) to floor.

4. If you have a wood floor you will: Use 5 Penny Nails (#10) to attach Wood Strip (#4) to wood floor.

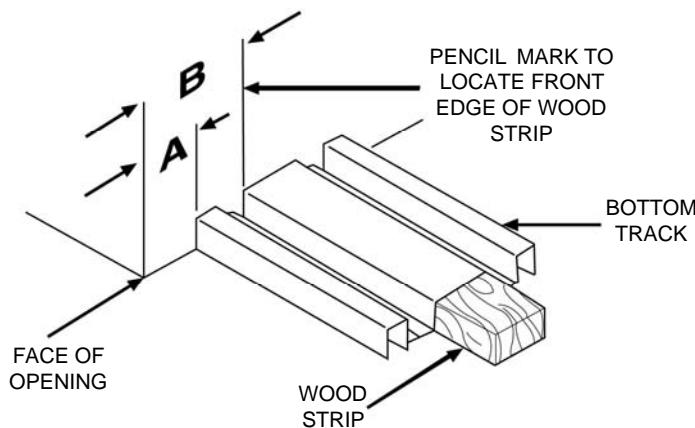
5. If you have a ceramic tile floor you will: Drill holes with a 3/16 Masonry Drill Bit. Insert Screw Anchors and attach Wood Strip (#4) to floor with Screws. Or, you may glue the Wood Strip (#4) down with Panel Adhesive.

NOTE: Drill Bit, Screws, Screw Anchors and Adhesive are not supplied.


TRACK OFFSET MEASUREMENTS FROM FACE OF OPENING TO FRONT EDGE OF TRACK

Track Offset	A	B
All Ultraglide® Track and Channel Concord™ / Silhouette™ doors	1/2	1-1/2

For Optional Mirror Fascia, add 1/4" to the Bottom Track offset measurement.



INSTALLING THE DOORS

* Before you get started if you purchased our **Silhouette™** model it is almost the same as our **Concord™** model. Any differences are noted with a **Silhouette™** Flag . If you see this flag during an installation step please turn to Supplemental Page 6 for that installation section.

Step 1 Removing Existing Wardrobe Doors

Remove existing doors, brackets, top channel and bottom track.

Step 2 Installing the Top Channel

- Measure the opening at the top of the closet from wall to wall.
- Cut the new Ultraglide® Top Channel (#2) to this dimension. When cutting the Top Channel (#2) we recommend that you use a Miter Box and Hacksaw for a straight cut. Cut one side only.

NOTE: If your closet has bumper jambs you may need to notch your Top Channel (#2) on each end.

- When cut to proper length, install Top Channel (#2) up to the top front of closet opening making sure that the front of the Top Channel (#2) is flush with outside walls (See Figure 1). Hold up the Top Channel (#2) in the desired position and with your Pencil, mark where the pre-drilled holes are in the Top Channel (#2).

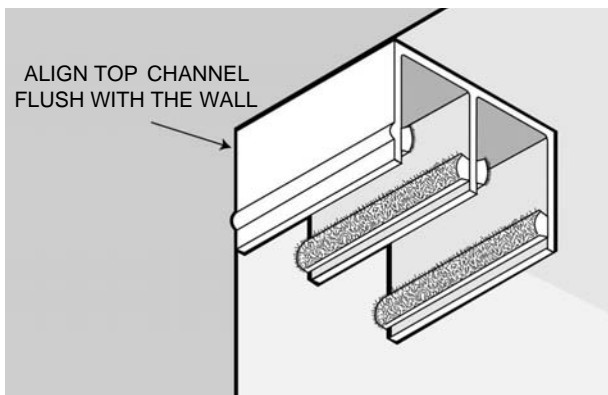


Figure 1

- Remove the Top Channel (#2) and drill holes using 1/8 Drill Bit where you made the pencil marks. Now install the Top Channel (#2) in place using six #8 x 1-1/2 PH SMS Screws (#6).

Step 3 Installing the Bottom Track

- Make sure that you have used the FLOOR CHECK LIST on Page 3 to determine which floor and installation you will use.

NOTE: If the floor board molding continues into the closet opening, you may need to remove it so that the Wardrobe Doors will close flush to the wall.

- Locate Wood Strip (#4) supplied in kit and measure inside bottom closet opening and cut to length.
- Find the correct offset measurement using the **Offset Measuring Table** on Page 3 (**B** Measurement) for your particular installation. From the front edge of closet opening inward, measure using dimension from table and make a pencil mark on wall. Do this on both walls, i.e., right and left walls (See Figure 2).

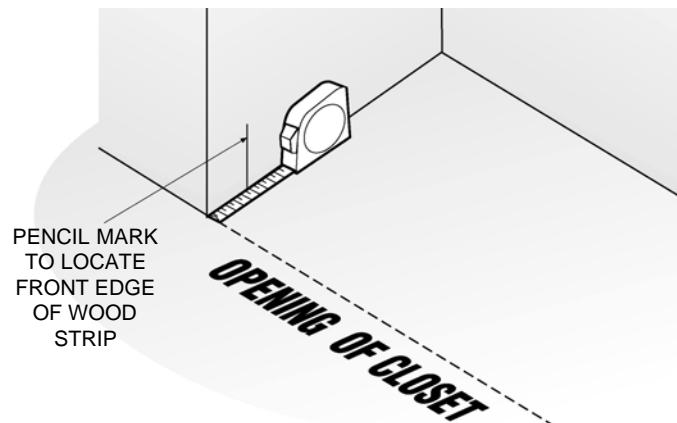


Figure 2

- Place front of Wood Strip (#4) up to pencil mark on wall (See Figure 3). Do this on both sides. Now attach Wood Strip (#4) according to your Offset Measuring Table.
- Cut the Bottom Track (#3) to your measurement of the inside closet opening. Slide the Bottom Track (#3) over Wood Strip (#4) and attach with four #8 x 1/2 Truss Screws (#7).

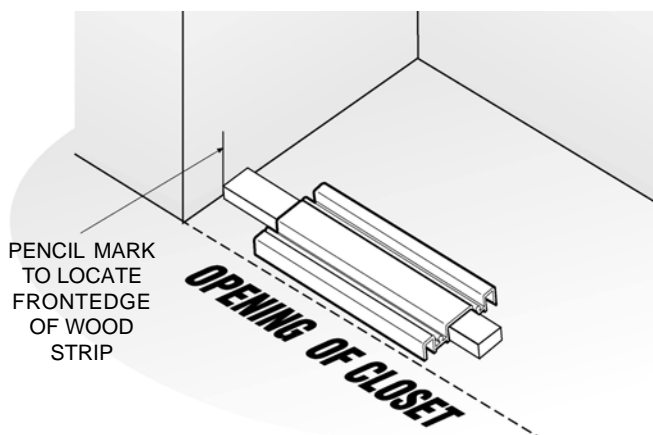


Figure 3

Step 4 Installing the Mirrored Glass Panels (Concord™ only)

- A. Make sure you have a pad or blanket to protect the Mirrored Glass Panels (#1) from scratches. Lay Mirrored Glass Panels (#1) with backside up on the floor. Locate one of the Steel Wheel Assemblies (#13) on the bottom of a Mirrored Glass Panel (#1). With a Phillips Screwdriver, turn the adjusting screw to the right to lower the roller. Do this until you have 1 of roller showing. Adjust both Wheel Assemblies (#13) on each Mirrored Glass Panel (#1) (This will avoid scratching the Bottom Track (#3) when installing the panels).
- B. Pick up one Mirrored Glass Panel (#1) and, with the mirror facing you, tilt the top of the Mirrored Glass Panel (#1) back and slip the Mirrored Glass Panel (#1) into the back runner of the Top Channel (#2). Next, set the bottom of the Mirrored Glass Panel (#1) into the back runner of the Bottom Track (#3).
- C. For the front Mirrored Glass Panel (#1), repeat B, but place the Mirrored Glass Panel (#1) into the front runner of the Top Channel (#2) and front runner of the Bottom Track (#3).

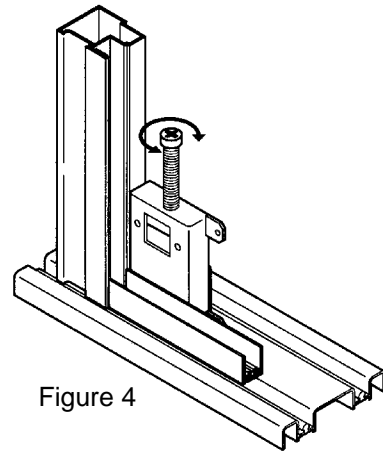
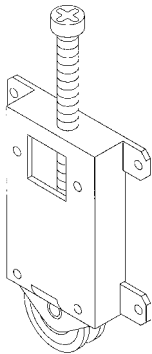


Figure 4

Step 6 **Installing the Clear Plastic Bumpers**

Peel paper off the back of the Clear Plastic Bumpers (#8) and place on the edge of the Mirrored Glass Panel (#1) frame 36 up from the bottom. The Clear Plastic Bumpers (#8) will cushion and protect the door and wall when you close the Wardrobe Doors (See Figure 5).

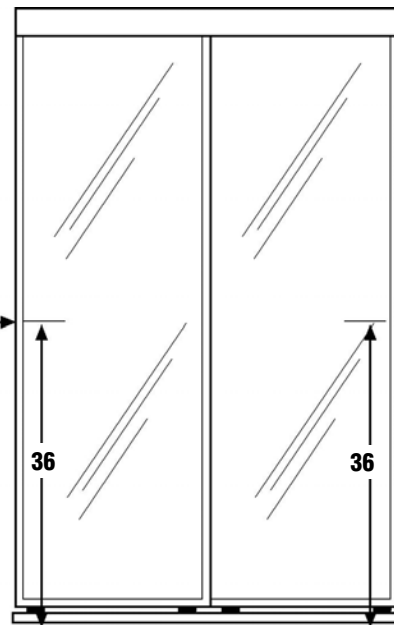


Figure 5

Step 5 Adjusting the Panels (Concord™ only)

Slide the front Mirrored Glass Panel (#1) to the side closest to the room's entrance door (This is how the Wardrobe Doors will be in position to look their best). Look at the space between the door edge and the wall. You want the door edge and the wall to be flush. If you see space at the top or bottom edge of the Mirrored Glass Panel (#1), turn the adjusting screw on top of the Steel Wheel Assembly (#13) on the lower back of the Mirrored Glass Panel (#1) nearest the wall. Turn the screw left or right until the Mirrored Glass Panel (#1) aligns flush with the wall. Repeat for each Mirrored Glass Panel (#1).

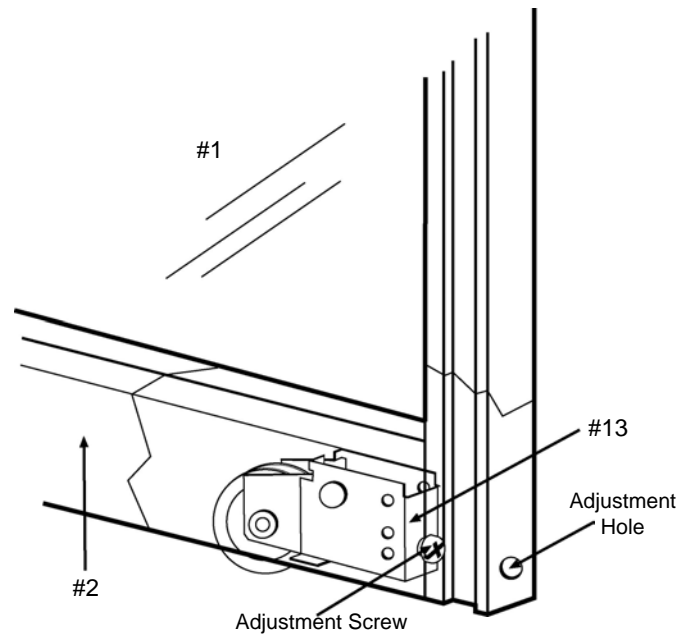
Thank you for purchasing a CW® Wardrobe Door. This is only one of a large line of wardrobe doors and high quality bath enclosure products. If you like this product, please contact Contractors Wardrobe® for more information about our many beautiful bath enclosures available in a vast array of colors and finishes to suit your designing needs.

SILHOUETTE™ SUPPLEMENTAL PARTS LIST

- #1 Tempered Glass Panels
- #12 Bottom Mold (Top Mold same as Concord™)
- #13 Concealed Wheel Assembly

Step 4 *Installing the Tempered Glass Panels*

- A. Make sure you have a pad or blanket to protect the Tempered Glass Panels (#1) from scratches. Lay Tempered Glass Panels (#1) with backside up on the floor. Locate one of the Concealed Wheel Assemblies (#13) on the bottom of a Tempered Glass Panel (#1). With a Phillips Screwdriver, turn the adjusting screw to the right to lower the roller. Do this until you have 3/4" of roller showing. Adjust both Concealed Wheel Assemblies (#13) on each Tempered Glass Panel (#1) (This will avoid scratching the Bottom Track (#3) when installing the panels).
- B. Pick up one Tempered Glass Panel (#1) and, with the outside of the panel facing you, tilt the top of the Tempered Glass Panel (#1) back and slip the Tempered Glass Panel (#1) into the back runner of the Top Channel (#2). Next, set the bottom of the Tempered Glass Panel (#1) into the back runner of the Bottom Track (#3).
- C. For the front Tempered Glass Panel (#1), repeat B, but place the Tempered Glass Panel (#1) into the front runner of the Top Channel (#2) and front runner of the Bottom Track (#3).



Step 5 *Adjusting the Tempered Glass Panels*

Slide the front Tempered Glass Panel (#1) to the side closest to the room's entrance door (This is how the Wardrobe Doors will be in position to look their best). Look at the space between the door edge and the wall. You want the door edge and the wall to be flush. If you see space at the top or bottom edge of the Tempered Glass Panel (#1), turn the adjusting screw through the hole in the side rail on the Steel Wheel Assembly (#13) on the lower back of the Tempered Glass Panel (#1) nearest the wall. Turn the screw left or right until the Tempered Glass Panel (#1) aligns flush with the wall. Repeat for each Tempered Glass Panel (#1).