



VC 75-1-A22

English

1 Information about the documentation

1.1 About this documentation

- Read this documentation before initial operation or use. This is a prerequisite for safe, trouble-free handling and use of the product.
- Observe the safety instructions and warnings in this documentation and on the product.
- Always keep the operating instructions with the product and make sure that the operating instructions are with the product when it is given to other persons.

1.2 Explanation of symbols

1.2.1 Warnings

Warnings alert persons to hazards that occur when handling or using the product. The following signal words are used:

DANGER

DANGER !

- ▶ Draws attention to imminent danger that will lead to serious personal injury or fatality.

WARNING

WARNING !

- ▶ Draws attention to a potential threat of danger that can lead to serious injury or fatality.



CAUTION

CAUTION !

- ▶ Draws attention to a potentially dangerous situation that could lead to slight personal injury or damage to the equipment or other property.






1.2.2 Symbols in the documentation

The following symbols are used in this documentation:

	Read the operating instructions before use
	Instructions for use and other useful information

1.2.3 Symbols in the illustrations

The following symbols are used in illustrations:

	These numbers refer to the corresponding illustrations found at the beginning of these operating instructions
	The numbering reflects the sequence of operations shown in the illustrations and may deviate from the steps described in the text
	Item reference numbers are used in the overview illustrations and refer to the numbers used in the product overview section
	This symbol is intended to draw special attention to certain points when handling the product.
	Wireless data transfer

1.3 Symbols on the product

1.3.1 Product-dependent symbols

The following symbols are used on the product:

	Risk of electric shock
	Risk of fire
	Direct current (DC)
	Do not pick up moisture

1.4 Product information

Hilti products are designed for professional users and only trained, authorized personnel are permitted to operate, service and maintain the products. This personnel must be informed of any particular hazards that may be encountered. The product and its ancillary equipment can present hazards if used incorrectly by untrained personnel or if used not in accordance with the intended use.

The type designation and serial number are stated on the rating plate.

- ▶ Write down the serial number in the table below. You will be required to state the product details when contacting Hilti Service or your local Hilti organization to inquire about the product.

Product information

Dry vacuum cleaner	VC 75-1 A22
Generation	01
Serial no.	

1.5 Declaration of conformity

We declare, on our sole responsibility, that the product described here complies with the applicable directives and standards. A copy of the document issued by the certification body can be found at the end of this documentation.

The technical documentation is filed here:

Hilti Entwicklungsgesellschaft mbH | Tool Certification | Hiltistrasse 6 | 86916 Kaufering, Germany

2 Safety

2.1 Important safety instructions

WARNING! READ ALL INSTRUCTIONS. Failure to follow all instructions listed below can result in electric shock, fire and/or serious injury. **KEEP THESE INSTRUCTIONS IN A HANDY YET SECURE PLACE.**

2.2 General safety instructions for electric devices

⚠ WARNING! Read all safety precautions and other instructions. Failure to observe the safety instructions and other instructions can result in electric shock, fire and/or serious injury.

Keep all safety precautions and instructions for future reference.

- ▶ This product is not intended for use by persons (including children) with physical, sensory or mental disabilities or persons lacking the appropriate experience and/or knowledge.
- ▶ Only persons who are familiar with it, who have been trained on how to use it safely and who understand the resulting hazards are permitted to use the tool. The tool is not intended for use by children.
- ▶ Do not allow children to play with the product. Do not allow unsupervised children to clean the device or to carry out user-maintenance tasks.
- ▶ Do not use the device to vacuum up flammable and/or explosive dusts (magnesium or aluminum dust etc.) or dusts that constitute a health hazard. Do not use the device to vacuum up materials with a temperature of over 60 °C (e.g. glowing cigarettes, hot ash).
- ▶ Do not use the product outside enclosed spaces or on wet surfaces.
- ▶ To avoid electric shock, use the product only in enclosed spaces.
- ▶ Do not use water, oil, grease or cleaning products.
- ▶ Do not use gasoline or other flammable liquids for cleaning.
- ▶ Do not cover or obstruct openings in the housing. Do not operate the product with openings in the housing covered or obstructed. Keep the openings in the housing free of dust, lint, strands of hair, and everything that could reduce the air flow.
- ▶ Use extra care when working on stairs.
- ▶ Switch the product off before removing the battery.
- ▶ Remove the battery before making adjustments to the product, changing accessories, or putting the product away. This safety precaution prevents the product from starting accidentally.
- ▶ When not in use, keep the battery away from paper clips, coins, keys, nails, screws and other small metal objects that could cause a short circuit at the contacts. A short circuit between the contacts can cause burn injuries or result in fire.
- ▶ Recharge the batteries only with the chargers recommended by the manufacturer. A charger that is suitable for a certain type of battery can be a fire hazard if used with other batteries.

2.3 Battery use and care

- ▶ Observe the special regulations and instructions applicable to the transport, storage and use of Li-ion batteries.
- ▶ Do not expose batteries to high temperatures, direct sunlight or fire.
- ▶ Do not disassemble, crush or incinerate batteries and do not subject them to temperatures over 80 °C.
- ▶ Do not use or charge batteries that have suffered mechanical impact, have been dropped from a height or show signs of damage. In this case, always contact your **Hilti Service**.
- ▶ If the battery is too hot to touch it may be defective. In this case, place the product in a non-flammable location, well away from flammable materials, where it can be kept under observation and allowed to cool down. In this case, always contact your **Hilti Service**.

2.4 Additional safety instructions for vacuum cleaners

Work area safety

- ▶ Keep bystanders, children and visitors away while operating the power tool. Distractions may cause you to lose control of the tool.

Electrical safety

- ▶ Avoid body contact with earthed / grounded surfaces such as pipes, radiators, cookers, stoves and refrigerators. There is an increased risk of electric shock if your body is grounded.
- ▶ Do not expose the vacuum cleaner to rain or wet conditions. Water entering a vacuum cleaner will increase the risk of electric shock.

Personal safety

- ▶ Stay alert, watch what you are doing and use common sense when operating a power tool. Do not use a power tool while you are tired or under the influence of drugs, alcohol or medication. A moment of inattention while operating the power tool may result in serious personal injury.
- ▶ Wear your personal protective equipment and always wear protective glasses. Depending on the type of power tool you are using and its purpose, wearing safety equipment such as a dust mask, slip-resistant safety shoes, a hard hat or hearing protection will reduce the risk of injury.
- ▶ Do not use the vacuum cleaner in extremely dusty conditions.
- ▶ Do not point the hose toward persons.
- ▶ Misuse can result in liquid escaping from the battery. Avoid contact with the liquid. Liquid escaping from the battery can cause skin irritation or burns. If contact occurs, rinse off with water. In the event of the liquid coming into contact with the eyes, rinse the eyes with plenty of water and consult a doctor.

Using and handling the power tool

- ▶ Store power tools out of reach of children when not in use. Do not allow persons who are not familiar with the tool or these instructions to operate it. Power tools are dangerous in the hands of inexperienced persons.
- ▶ Take good care of the power tool. Check that moving parts operate satisfactorily and do not jam, and make sure that no parts are broken or damaged in such a way that the power tool might no longer function correctly. Have damaged parts repaired before using the tool. Many accidents are caused by poorly maintained power tools.
- ▶ Use power tools, accessories, insert tools, etc. in accordance with these instructions. Take the working conditions and the work to be performed into account. Use of power tools for applications other than those intended can result in hazardous situations.
- ▶ Use the right appliance for the job. Do not use the appliance for purposes for which it was not intended. Use it only as directed and when in faultless condition.
- ▶ Do not use the vacuum cleaner as a dust extractor in combination with other electric appliances.
- ▶ Operate the vacuum cleaner only with the filter installed.
- ▶ Avoid unintentional starting. Switch the device off before inserting the battery and before lifting or transporting the device. Never carry the device with your finger on the on/off switch. Always remove the battery when the device is not in use, before maintenance, before changing accessory tools and in preparation for and throughout transport.
- ▶ Do not sit or stand on the device.
- ▶ Do not use the vacuum cleaner to spray flammable liquids.

Service

- ▶ Have the power tool repaired only by a qualified specialist using only genuine Hilti spare parts. The safety of the power tool can thus be maintained.

3 Description

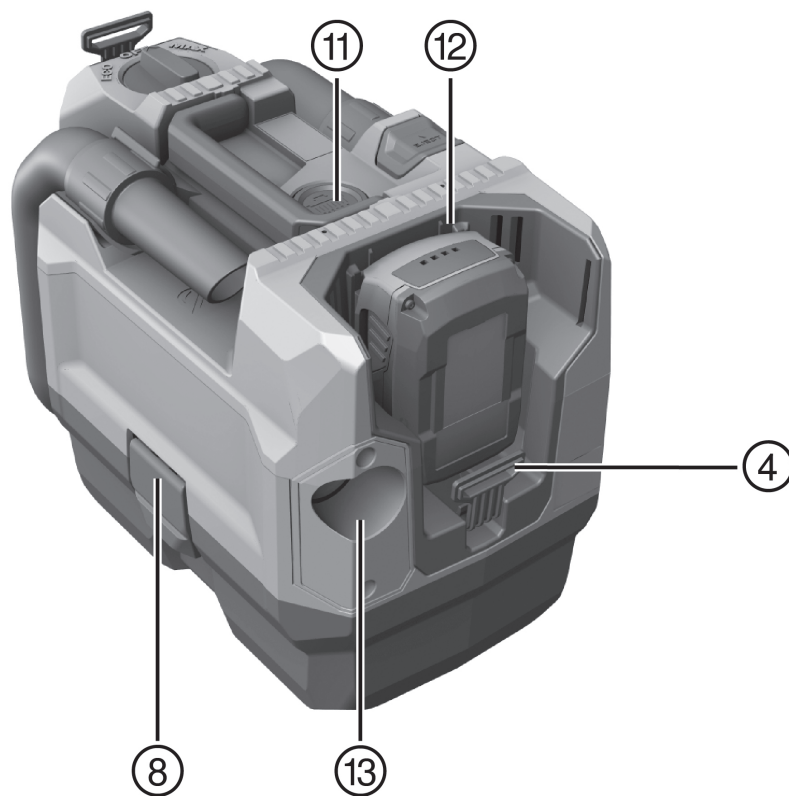
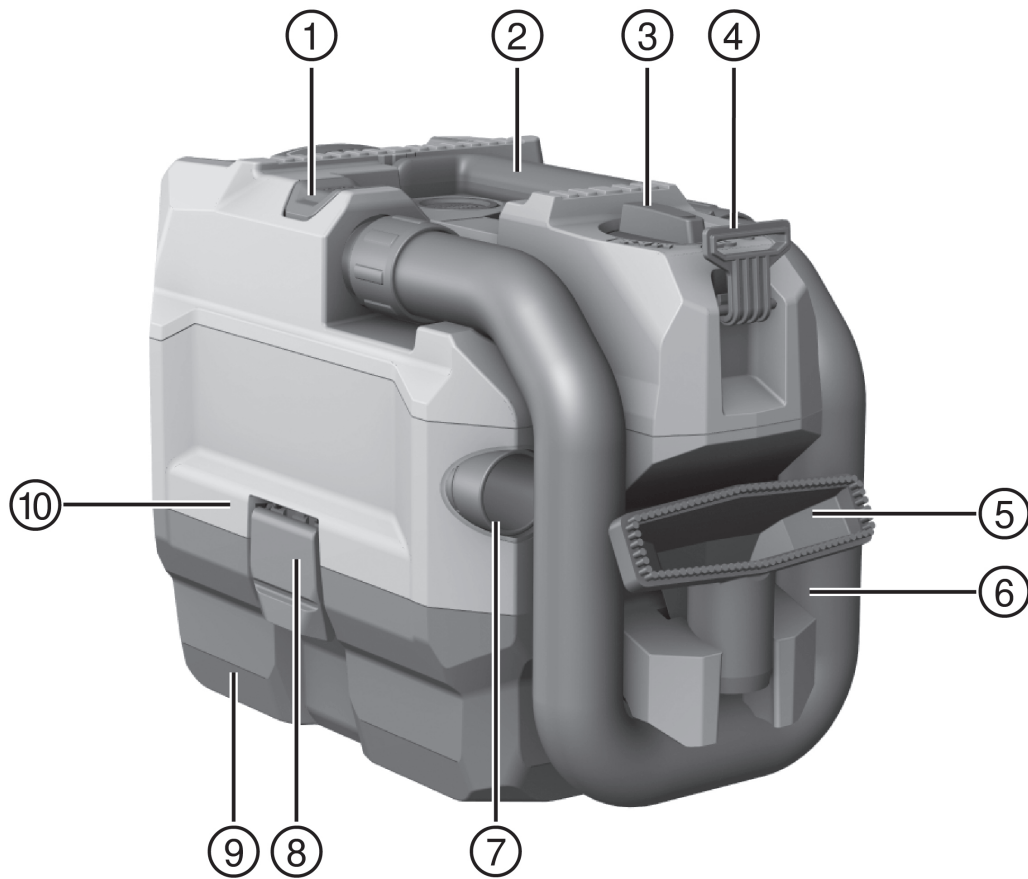
3.1 Intended use

The product described here is a vacuum cleaner suitable for commercial use, e.g. in hotels, schools, hospitals, factories, shops, offices and by rental companies. It is suitable for dry applications only.

Hilti products are designed for professional users and only trained, authorized personnel are permitted to operate, service and maintain the products. The product and its ancillary equipment can present hazards if used incorrectly by untrained personnel or if used not in accordance with the intended use.

- ▶ Use only **Hilti** Li-ion batteries of the B 22 series with this product.
- ▶ Use only **Hilti** battery chargers of the C4/36 series for charging these batteries.

3.2 Product overview



① **EJECT** button for hose

② Grip

- ③ Control switch
- ④ Holder for shoulder strap
- ⑤ Hand nozzle
- ⑥ Hose
- ⑦ Slit nozzle
- ⑧ Catch
- ⑨ Waste material container
- ⑩ Suction head
- ⑪ **CLEAN** button for filter cleaning
- ⑫ Battery compartment
- ⑬ Outlet fitting for blow function

3.3 Control switch

Status	Meaning
ECO	<ul style="list-style-type: none"> • Energy-saving mode
MAX	<ul style="list-style-type: none"> • Switching on
OFF	<ul style="list-style-type: none"> • Switching off

3.4 Items supplied

Dry vacuum cleaner complete with filter element, suction hose with connectors, hand nozzle, crevice nozzle, shoulder strap and operating instructions.

Other system products approved for use with this product can be found at your local **Hilti Store** or online at: www.hilti.group | USA: www.hilti.com

3.5 Li-ion battery state of charge display

The state of charge of the Li-ion battery and malfunctions of the appliance are indicated by the display on the Li-ion battery. The state of charge of the Li-ion battery is displayed after pressing one of the two battery release buttons.

Status	Meaning
4 LEDs light.	<ul style="list-style-type: none"> • State of charge: 75 % to 100 %
3 LEDs light.	<ul style="list-style-type: none"> • State of charge: 50 % to 75 %
2 LEDs light.	<ul style="list-style-type: none"> • State of charge: 25 % to 50 %
1 LED lights.	<ul style="list-style-type: none"> • State of charge: 10 % to 25 %
1 LED blinks, the appliance is ready for use.	<ul style="list-style-type: none"> • State of charge: < 10 %
1 LED blinks, the appliance is not ready for use.	<ul style="list-style-type: none"> • The battery has overheated.
4 LEDs blink, the appliance is not ready for use.	<ul style="list-style-type: none"> • The appliance has overheated or is overloaded.

Battery state of charge cannot be displayed while the control switch is pressed and for up to 5 seconds after releasing the control switch.

If the battery charge state LEDs blink, please refer to the information given in the Troubleshooting section.

3.6 Indication of overloading and overheating

The power tool is equipped with an electronic system to protect against overloading and overheating. The power tool switches itself off automatically in the event of overloading or overheating. After releasing the control switch, the power tool may not restart immediately when the switch is pressed again (while the power tool is cooling down).

4 Technical data

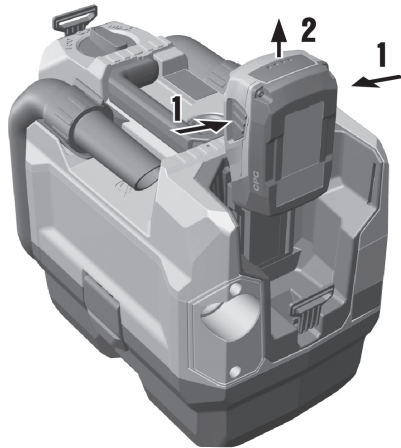
	VC 75-1-A22
Rated voltage (DC)	21.6 V
Rated current input	16 A
Weight	5.2 kg (11.5 lb)
Ambient temperature	-17 °C ... 60 °C (1 °F ... 140 °F)
Storage temperature	-20 °C ... 70 °C (-4 °F ... 158 °F)
Maximum partial vacuum	11 kPa (2 psi)
Maximum volumetric flow rate (air)	35 l/s (9 liq. gal _{US} /s)

5 Operation

5.1 Preparations at the workplace

Observe the safety instructions and warnings in this documentation and on the product.
WARNING The appliance may be operated only by authorized, trained personnel.

5.1.1 Inserting the battery



CAUTION

Electrical hazard. Dirty contacts can cause a short circuit.

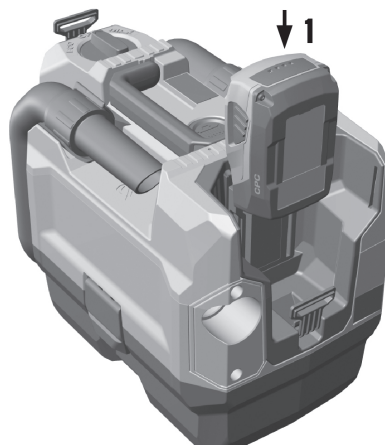
- ▶ Before inserting the battery, make sure that the contacts on the battery and the contacts on the device are free of foreign matter.

CAUTION

Risk of injury. The battery can drop out if it is not fitted correctly.

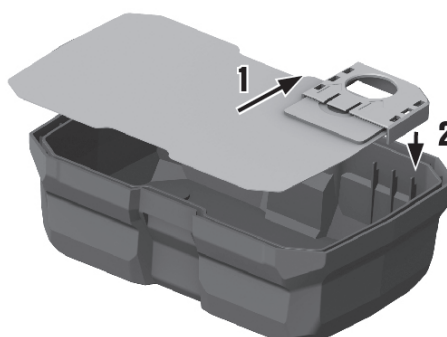
- ▶ Check that the battery is securely seated in the device so that it cannot drop out and possibly injure you or other persons.
- ▶ Insert the battery and check that the battery is securely seated in the appliance.

5.1.2 Removing the battery



1. Press both release buttons.
2. Lift the battery up and out of the appliance.

5.1.3 Changing the filter bag



1. Switch the appliance off.
2. Open the two catches.
3. Lift the suction head off the waste material container.
4. Remove the filter bag and remove the holder for the filter bag.
5. Push the holder for the filter bag on to a new filter bag.
6. Secure the holder with the filter bag to the ribs of the waste material container.
7. Set the suction head on the waste material container and close the two catches.

5.1.4 Connecting/disconnecting the suction hose

1. Connect the suction hose to the suction hose intake socket.
 - ◀ The suction hose should be heard to engage.
2. To disconnect the suction hose, press and hold down the **EJECT** button.
3. Disconnect the suction hose from the suction hose intake socket.

5.2 Types of work


WARNING Use of this product to pick up hazardous dusts is not permissible.

WARNING Use the product for dry applications only.

WARNING The product is for indoor use only.


5.2.1 Switching the device on / off

1. To switch on the device, turn the control switch to this position: **MAX**.


 To operate the device for a longer period at reduced suction power, set the control switch to this position: **ECO**.

2. To switch off the device, set the control switch to this position: **OFF**.

5.2.2 Blower function

 Before using the blower function, check that there is nothing inside the hose.
Do not point the hose toward persons.

1. To disconnect the suction hose, press and hold down the **EJECT** button.
2. Disconnect the suction hose from the suction hose intake socket.
3. Connect the hose to the outlet socket.
 - ◁ The vacuum cleaner is ready for use

 In order to use the suction function, reconnect the hose to the intake socket.

5.2.3 Cleaning the filter

1. Switch the appliance on.
2. Hold your hand over the end of the hose.
3. Wait until maximum vacuum pressure is reached.
4. Press the **CLEAN** button 4-5 times.
5. Switch the appliance off.

5.2.4 After vacuuming

1. Turn the control switch to this position: **OFF**.
2. Empty the container and clean the appliance by wiping it with a damp cloth.
3. Snap the hose into the hose holder.
4. Stow the nozzles away.
5. Store the vacuum cleaner in a secure, dry place where it is inaccessible to unauthorized users.
 - ◁ CAUTION This vacuum cleaner may be stored only indoors.

6 Care and maintenance of cordless tools

WARNING

Risk of injury with battery inserted !

- ▶ Always remove the battery before carrying out care and maintenance tasks!

Care and maintenance of the tool

- Carefully remove stubborn dirt from the tool.
- Clean the air vents carefully with a dry brush.
- Use only a slightly damp cloth to clean the casing. Do not use cleaning agents containing silicone as these may attack the plastic parts.

Care of the Li-ion batteries

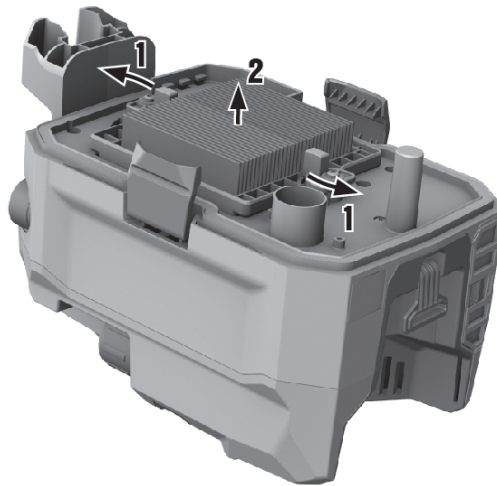
- Keep the battery free from oil and grease.
- Use only a slightly damp cloth to clean the casing. Do not use cleaning agents containing silicone as these may attack the plastic parts.

- Avoid ingress of moisture.

Maintenance

- Check all visible parts and controls for signs of damage at regular intervals and make sure that they all function correctly.
- Do not operate the cordless tool if signs of damage are found or if parts malfunction. Have the tool repaired by **Hilti Service** immediately.
- After cleaning and maintenance, fit all guards or protective devices and check that they function correctly.

6.1 Changing the filter



1. Switch the device off.
2. Open the two catches.
3. Lift the suction head off the waste material container.
4. To remove the filter frame, turn the filter latch through 180 °.
5. Remove the filter along with the filter frame.
6. Remove all dust from the seal and from the filter frame holder.
7. Set the filter frame on a new filter.
8. Fit the filter frame into the holder for the filter frame.
9. Lock the filter frame into position with the filter latches.
10. Set the suction head on the waste material container and close the two catches.

7 Transport and storage of cordless tools

Transport

CAUTION

Accidental starting during transport !

- ▶ Always transport your products with the batteries removed!
- ▶ Remove the battery.
- ▶ Transport the tool and batteries individually packaged.
- ▶ Never transport batteries in bulk form (loose, unprotected).
- ▶ Check the tool and batteries for damage before use after long periods of transport.

Storage

CAUTION

Accidental damage caused by defective or leaking batteries !

- ▶ Always store your products with the batteries removed!

- ▶ Store the tool and batteries in a place that is as cool and dry as possible.
- ▶ Never store batteries in direct sunlight, on heating units or behind a window pane.
- ▶ Store the tool and batteries in a place where they cannot be accessed by children or unauthorized persons.
- ▶ Check the tool and batteries for damage before use after long periods of storage.

8 Troubleshooting

If the trouble you are experiencing is not listed in this table or you are unable to remedy the problem by yourself, please contact **Hilti** Service.

8.1 Troubleshooting

Trouble or fault	Possible cause	Action to be taken
The battery does not engage with an audible double click.	The retaining lugs on the battery are dirty.	▶ Clean the retaining lugs and push the battery in until it engages.
1 LED flashes. The device does not work.	The battery is discharged.	▶ Change the battery and charge the empty battery.
	The battery is too hot or too cold.	▶ Allow the battery to cool down or warm up slowly to room temperature.
4 LEDs blink.	The motor has overheated.	▶ Switch the appliance off. ▶ Wait 10 minutes. ▶ Remove the blockage or clean the filter, intake connector, hose or exhaust air filter. ▶ Switch the appliance on.
Reduced suction performance.	The waste material container is full.	▶ Empty the waste material container.
	The suction hose or nozzle is blocked.	▶ Clean the suction hose and nozzle.
	The filter is clogged.	▶ Clean the filter. → page 10
		▶ Change the filter. → page 11
		▶ Check that the filter is seated correctly.
	The suction hose or nozzle is damaged.	▶ Replace the suction hose or nozzle.
The suction hose is not engaged.	▶ Connect/disconnect the suction hose. → page 9	
Slight electric shocks are felt.	Electrostatic discharge.	▶ Increase the air humidity. ▶ Operate the vacuum cleaner in ECO mode.

9 Disposal

Most of the materials from which **Hilti** tools and appliances are manufactured can be recycled. The materials must be correctly separated before they can be recycled.

In many countries, your old tools, machines or appliances can be returned to **Hilti** for recycling. Ask **Hilti** Service or your Hilti representative for further information.

Battery disposal

Improper disposal of batteries can result in health hazards from leaking gases or fluids.

- ▶ DO NOT send batteries through the mail!
- ▶ Cover the terminals with a non-conductive material (such as electrical tape) to prevent short circuiting.
- ▶ Dispose of your battery out of the reach of children.
- ▶ Dispose of the battery at your **Hilti Store**, or consult your local governmental garbage disposal or public health and safety resources for disposal instructions.



-
- ▶ Do not dispose of power tools, electronic equipment or batteries as household waste!
-

10 Manufacturer's warranty

- ▶ Please contact your local **Hilti** representative if you have questions about the warranty conditions.

This Product is Certified
Ce produit est homologué
Producto homologado por
Este producto está registrado





Hilti Corporation
LI-9494 Schaan
Tel.: +423 234 21 11
Fax: +423 234 29 65
www.hilti.com