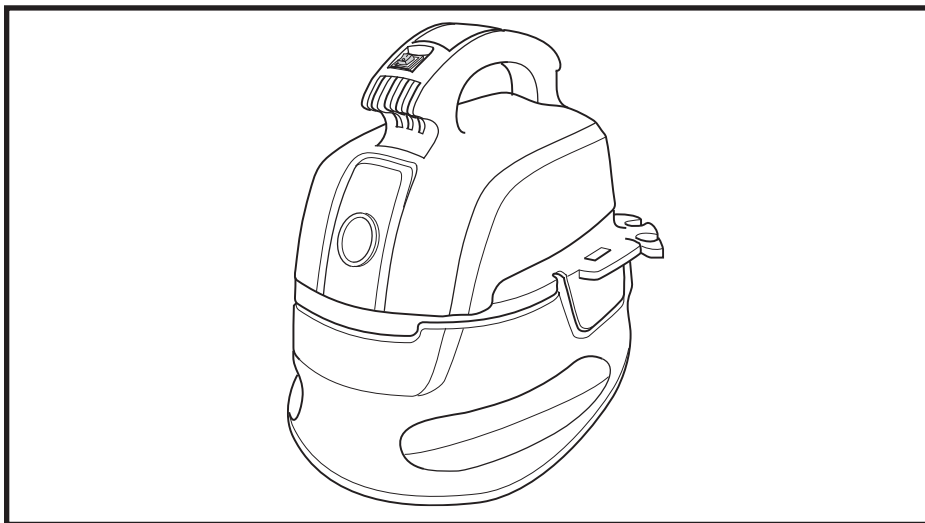




WET/DRY VAC

2.5 GAL/9.5 LITER



OWNERS MANUAL

HD2025

- **Assembly**
- **Operation**

QUESTIONS OR COMMENTS?

In the US or Canada: 1-866-994-8759

In Mexico: 001-888-237-8981

⚠ WARNING:

For Your Safety: Read All Instructions Carefully

Stock No. HD2025
Model No. HD20250

Model and serial number may be found inside the Vac handle and/or on the drum latch.
You should record both model and serial number in a safe place for future use.

Part No. SP7068

Printed in Mexico

Table of Contents

Section	Page	Section	Page
Important Safety Instructions	2-3	Accessory Storage Instructions	9
Introduction	4	Cord Storage	9
Checking Carton Contents	4	Hose Storage	9
Getting to Know Your Vac	4	Maintenance	10-11
Grounding Instructions	5	Filter Bag	10
Operation	6-8	Easy to Replace Filter Bag	10
Vacuuming Dry Materials	7	Installation of Filter Bag	10
Vacuuming Liquids	7	Cleaning	11
Emptying the Drum	8	Storage	11
Blowing Feature	8	Troubleshooting	11
		Replacement Filter Bag	11
		Warranty	12

IMPORTANT SAFETY INSTRUCTIONS

Safety is a combination of common sense, staying alert, and knowing how your Wet/Dry vacuum cleaner ("Vac") works.

Safety Signal Words

⚠ DANGER:

Indicates a hazardous situation which, if not avoided, **will** result in death or serious injury.

⚠ WARNING:

Indicates a hazardous situation which, if not avoided, **could** result in death or serious injury.

⚠ CAUTION:

Indicates a hazardous situation which, if not avoided, **may** result in minor or moderate injury.

When using your Vac, always follow basic safety precautions including the following:

⚠ WARNING:

- To reduce the risk of fire, electric shock, or injury:

- Read and understand this manual and all labels on the Vac before operating.
- Use only as described in this manual.
- Do not leave Vac running while unattended - you may fail to notice important signs indicating abnormal operation such as loss of suction, debris/liquid exiting exhaust, or abnormal motor noises. Immediately stop using Vac if you notice these signs.

- Do not leave Vac when plugged in. Unplug from outlet when not in use and before servicing.
- Sparks inside the motor can ignite flammable vapors or dust. To reduce the risk of fire or explosion, do not vacuum or use near flammable or combustible liquids, gases, or dusts, such as gasoline or other fuels, lighter fluid, cleaners, oil-based paints, natural gas, coal dust, magnesium dust, grain dust, aluminum dust, or gun powder.
- Do not vacuum anything that is burning or smoking, such as cigarettes, matches, or hot ashes.
- To avoid the risk of self-ignition of drum debris, empty drum after each use. Combustible materials, such as rags or sawdust containing stain or urethane, can be sources of such overheating.
- Do not vacuum drywall dust, cold fireplace ash, or other fine dusts, which may pass through the filter bag and be exhausted back into the air.
- To reduce the risk of inhaling toxic vapors, do not vacuum or use near toxic or hazardous materials.
- To reduce the risk of electric shock, do not expose to rain or allow liquid to enter motor compartment. Store indoors.
- Do not allow to be used as a toy. Close attention is necessary when used by or near children.

- This Wet/Dry Vac is not intended for use by persons (including children) with reduced physical, sensory, or mental capabilities, or lack of experience and knowledge, unless they have been given supervision or instruction concerning use of the appliance by a person responsible for their safety.
- Do not use with a torn filter or without the filter installed except when vacuuming liquids as described in this manual. Dry debris ingested by the impeller may damage the motor or be exhausted back into the air.
- Turn off Vac before unplugging.
- To reduce the risk of injury from accidental starting, unplug power cord before changing or cleaning filter.
- Do not unplug by pulling on cord. To unplug, grasp the plug, not the cord.
- Do not use with damaged cord, plug or other parts. If your Vac is not working as it should, has missing parts, has been dropped, damaged, left outdoors, or dropped into water, call customer service.
- Do not pull or carry by cord, use cord as handle, close a door on cord, or pull cord around sharp edges or corners. Do not run Vac over cord. Keep cord away from heated surfaces.
- Do not handle plug, switch, or the Vac with wet hands.
- Use only extension cords that are rated for outdoor use and have a grounding conductor. Extension cords in poor condition or too small in wire size can pose fire and shock hazards. To reduce the risk of these hazards, be sure the cord is in good condition and that the liquid does not contact the connection. Do not use an extension cord with conductors smaller than 1,3 mm² (16 AWG) in size.
- Connect only to a properly-grounded outlet. See grounding instructions.
- Do not put any object into ventilation openings. Do not vacuum with any ventilation openings blocked; keep free of dust, lint, hair or anything that may reduce air flow.
- Keep hair, loose clothing, fingers, and all parts of body away from openings and moving parts.
- To reduce the risk of falls, use extra care when cleaning on stairs.
- To reduce the risk of personal injury or damage to Vac, use only Stinger recommended accessories.
- When using as a blower:
 - Direct air discharge only at work area.
 - Do not direct air at bystanders.
 - Keep children away when blowing.
 - Do not use blower for any job except blowing dirt and debris.
 - Do not use as a sprayer.
- To reduce the risk of eye injury, wear safety eyewear. The operation of any utility Vac or blower can result in foreign objects being blown into the eyes, which can result in severe eye damage.

CAUTION:

- To reduce the risk of hearing damage, wear ear protectors when using for extended time or in a noisy area.
- For dusty operations, wear dust mask.
- Static shocks are common when the relative humidity of the air is low. Vacuuming fine debris with your Vac can deposit static charge on the hose or Vac. To reduce the frequency of static shocks in your home or when using this Vac, add moisture to the air with a humidifier.

Observe the following warning that appears on the motor housing of your Vac:

WARNING:

- **For your own safety, read and understand owner's manual.**
- **Do not run unattended.**
- **Do not pick up hot ashes, coals, flammable, combustible / self-igniting, toxic, or other hazardous materials.**
- **Do not use around explosive liquids or vapors.**

WARNING:

- **To reduce the risk of electric shock - do not expose to rain - store indoors.**

SAVE THIS MANUAL

Introduction

This Vac is intended for household use. It may be used for light vacuuming of wet or dry debris and may also be used as a blower. The light weight design allows usage for most small household

vacuuming chores. Familiarize yourself with the following product features and read the entire Owner's Manual for specific usage of your new Wet/Dry Vac.

Checking Carton Contents

Remove entire contents of carton. Check each item against the Carton Contents List.

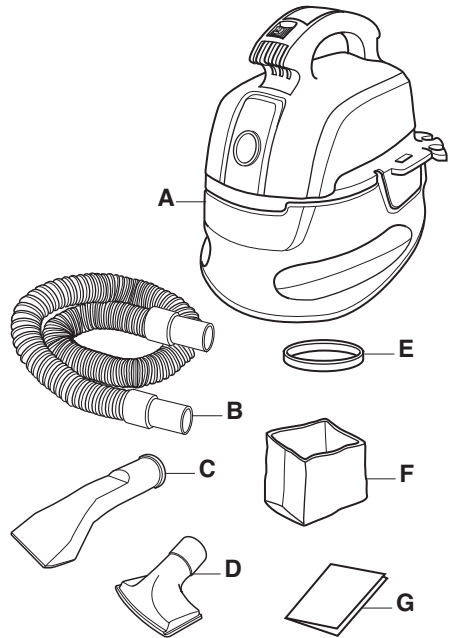
In the US or Canada, call 1-866-994-8759 or in Mexico, call 001-888-237-8981, if any parts are damaged or missing.

Carton Contents Lists

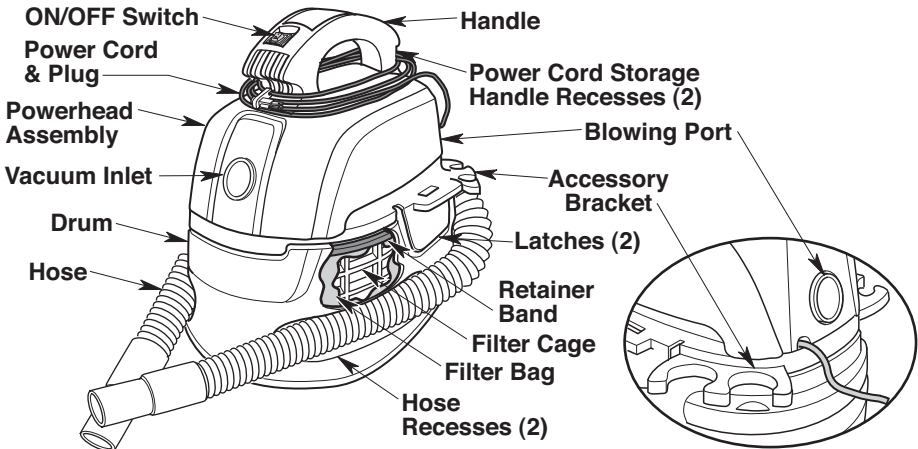
Key	Description	Qty.
A	Vac	1
B	Hose	1
C	Car Nozzle	1
D	Utility Nozzle	1
E	*Retainer Band	1
F	*Filter Bag	1
G	Owner's Manual	1

* Replacement Filter Bags and Retainer Band (already assembled)

Replacement Filter Bags are sold by Stock No. VF2000. They are available where you purchased your Stinger Vac.

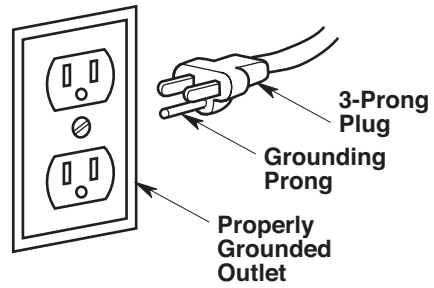


Getting to Know Your Vac



Grounding Instructions

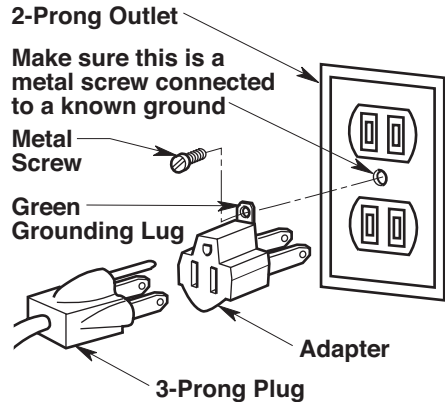
This Vac must be Grounded. If it should malfunction or break down, grounding provides a path of least resistance for electric current to reduce the risk of electric shock. This Vac is equipped with a Cord having an Equipment-Grounding Conductor and Grounding Plug. The Plug must be inserted into an appropriate Outlet that is properly installed and Grounded in accordance with all Local Codes and Ordinances.



⚠ WARNING:

Improper connection of the equipment grounding conductor can result in a risk of electric shock. Check with a qualified electrician or service person if you are in doubt as to whether the outlet is properly grounded. Do not modify the plug provided with the vac - if it will not fit the outlet, have a proper outlet installed by a qualified electrician.

This Vac is for use on a nominal 120 Volt circuit, and has a Grounded Plug that looks like the Plug shown. A temporary Adapter that looks like the Adapter shown may be used to connect this Plug to a 2-Pole Receptacle, as shown. If a properly Grounded Outlet is not available, the temporary Adapter should be used only until a properly Grounded Outlet can be installed by a Qualified Electrician. The green colored rigid ear, lug or the like extending from the Adapter must be connected to a Permanent Ground such as a properly Grounded Outlet Box Cover. Whenever the Adapter is used, it must be held in place by a Metal Screw.



NOTE: In Canada, the use of a temporary Adapter is not permitted by the Canadian Electrical Code.

Operation

⚠ WARNING:

To reduce the risk of fire, explosion, or damage to Vac:

- Do not leave Vac running while unattended - you may fail to notice important signs indicating abnormal operation such as loss of suction, debris/liquid exiting the exhaust, or abnormal motor noises. Immediately stop using Vac if you notice these signs.
- Do not leave Vac plugged in when not in use.
- Do not continue running when float has cut off suction.
- Sparks inside the motor can ignite airborne flammables. Do not operate Vac near flammable liquids or in areas with flammable gases, vapors, or explosive/airborne dust. Flammable liquids, gases, and vapors include: lighter fluid, solvent-type cleaners, oil-based paints, gasoline, alcohol, and aerosol sprays. Explosive dusts include: coal, magnesium, aluminum, grain, and gun powder.
- Do not vacuum up explosive dusts, flammable liquids, or hot ashes.
- Do not leave sawdust or rags with stain or polyurethane residue inside Vac. Empty drum after picking up these potentially self-heating materials.

⚠ WARNING:

To reduce the risk of electric shock or injury:

- Do not expose to rain or allow liquid to enter motor compartment. Store indoors.
- Do not handle plug, switch, or Vac with wet hands.
- Unplug Vac before servicing. If your Vac is not working as it should, has missing parts, has been dropped, damaged, left outdoors, or dropped into water, return it to an authorized service center or call customer service.
- When using an extension cord, use only outdoor-rated cords that are in good condition. Do not allow the connection to come into contact with liquid.

⚠ CAUTION:

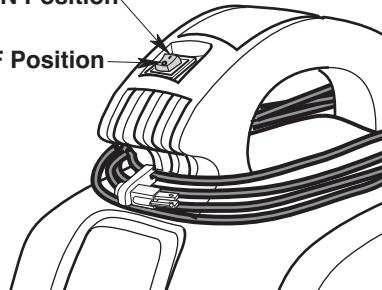
To reduce the risk of hearing damage, wear ear protectors when using the Vac/Blower for extended time or in a noisy area.

Your Two and a Half-Gallon Wet/Dry Vac is assembled at the factory and ready for use when you remove it from the carton. The unit is ready for dry vacuuming or blowing.

After you plug the Power Cord into the outlet, turn the unit ON by pushing the Switch from position "O" to position "I". The symbols used on the Switch actuator are international "On & Off" symbols:

○ = OFF | = ON

"I"
ON Position
"O"
OFF Position

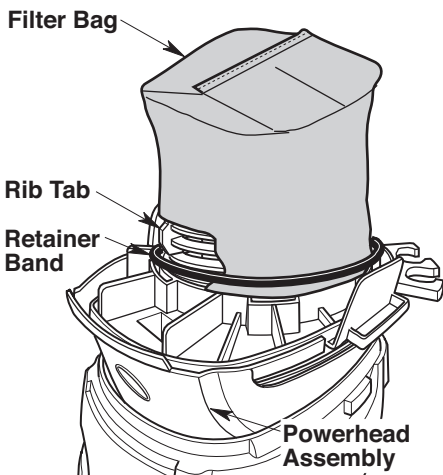


Operation (continued)

Vacuumping Dry Materials

1. The Filter Bag must always be in correct position to reduce the risk of leaks and possible damage to Vac. Make sure that the Filter Bag is completely covering the Filter Cage and that the Retainer Band is as close to the Powerhead Assembly as possible, located above the Rib Tabs on the Filter Cage. Make sure there are no gaps between the Filter Bag and the Powerhead Assembly. (See illustration).

It is very important to assemble the Filter Bag to the Cage without allowing any possible leaks or tears. Any leaks will allow the picked up media to be blown out of the Blowing Port and back into the surrounding environment.



2. To maintain peak performance of your Vac when picking up small debris such as sawdust, it may be helpful to empty the Drum and clean or replace the Filter at more frequent intervals.

NOTE: The Filter Bag should be dry to pick up dry material. If you use your Vac to pick up dry debris when the Filter Bag is wet, the Filter Bag will clog quickly and be very difficult to clean. In case the Filter Bag gets wet, replace it before continuing dry pickup.

Vacuumping Liquids

1. Removal of the Filter Bag is highly recommended for wet pickups.
2. This Wet/Dry Vac is equipped with a Float Mechanism which will rise automatically to cut off the airflow when the liquid in the Drum reaches a predetermined level. When this happens, turn OFF Vac, unplug the Power Cord, and empty the Drum. You will know that the Float has shut the airflow OFF because the suction ceases and the Motor noise becomes higher in pitch, due to increased Motor speed. The liquid capacity may vary with the rate of pickup.
3. Be sure to replace Filter Bag after wet pickup. Never pick up dry debris without the Filter Bag properly installed.

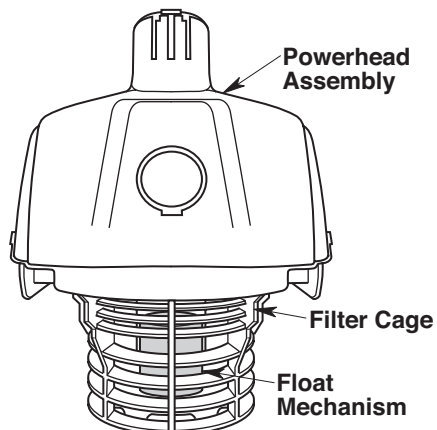
IMPORTANT: To reduce the risk of damage to the Vac, do not run Motor with Float in raised position.

⚠ WARNING:

Do not operate without filter cage and float, as they prevent liquid from entering the impeller and damaging the motor.

⚠ WARNING:

Never leave Vac running while unattended.

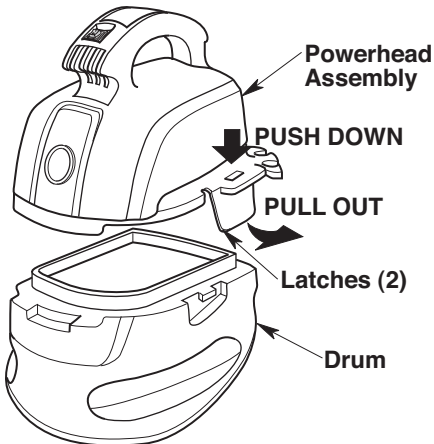


Operation (continued)

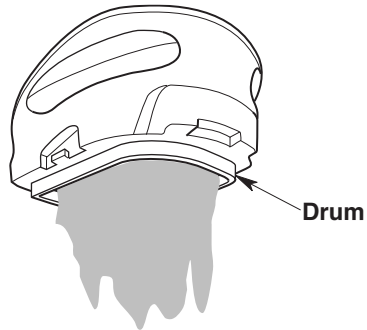
Emptying the Drum

⚠ WARNING:

To reduce the risk of injury from accidental starting, unplug power cord before emptying the drum.



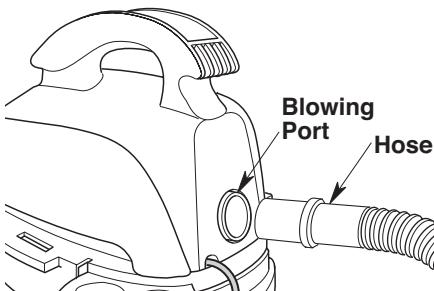
1. Place Vac squarely on a stable surface, such as ground, floor, bench, etc.
2. Remove the Powerhead Assembly of the Wet/Dry Vac by pulling upward on the Latches, located on each side of the Vac. Lift off the Powerhead Assembly.
3. Dump the Drum contents into the proper waste disposal container.



Blowing Feature

Your Vac contains a Blowing feature. It has the capability to blow sawdust and other debris. It is excellent to use to blow dust and debris out of garages or off patios and driveways. Follow the Steps below to use your Vac as a Blower.

1. Locate Blowing Port of your Vac, located on the back of the Powerhead Assembly.
2. Insert one end of the 4 foot x 1-1/4 inch Hose into the Blowing Port.
3. Turn Vac "ON" and you are ready to use your Vac as a blower.



⚠ WARNING:

Always wear safety eyewear complying with ANSI Z87.1 (or in Canada, CSA Z94.3) before using as a blower.

⚠ WARNING:

To reduce the risk of injury to bystanders, keep them clear of blowing debris.

⚠ CAUTION:

Wear a dust mask if blowing creates dust which might be inhaled.

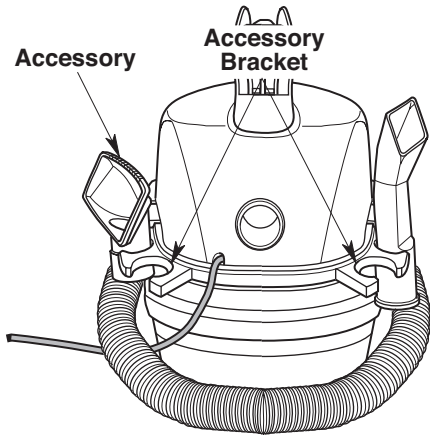
⚠ CAUTION:

To reduce the risk of hearing damage, wear ear protectors when using the Vac/Blower for extended time or in a noisy area.

Accessory Storage Instructions

Accessory Storage

Accessory Storage is provided on the rear of the unit. Clip the Accessory into the Bracket from the side, as shown.



Hose Storage

The Drum has Recesses on each side for Hose Storage.

⚠ CAUTION:

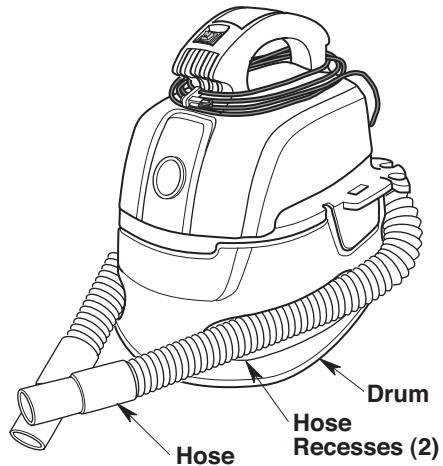
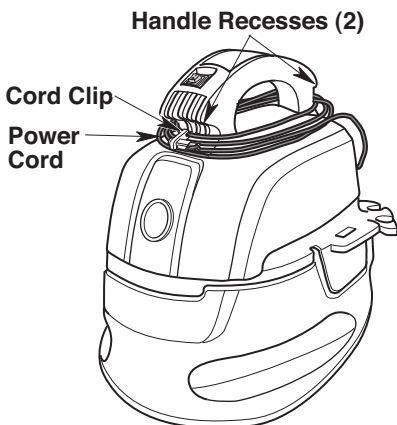
Do not operate vacuum while the hose is still wrapped around the powerhead assembly in the storage position.

⚠ WARNING:

Do not put any object into ventilation openings. Do not vacuum with any ventilation openings blocked; keep free of dust, lint, hair or anything that may reduce air flow.

Cord Storage

1. Your Wet/Dry Vac has a convenient area to store your Power Cord while not in use.
2. Coil the Power Cord around the Handle Recesses, and snap the Cord Clip onto the Power Cord, as shown.



Maintenance

Filter Bag

▲ WARNING:

To reduce the risk of injury from accidental starting, unplug power cord before changing or cleaning filter bag.

Your Filter Bag should be cleaned often to maintain peak Vac performance.

NOTE: The Filter Bag is made of high quality material designed to stop small particles such as sawdust. Handle the Filter Bag carefully when removing to clean or installing a New Filter Bag. Do not tear the Filter Bag during removal or installation if your intent is to reuse the Filter Bag.

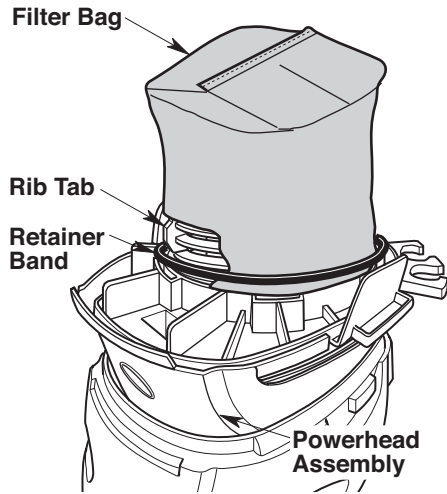
Easy to Replace Filter Bag

1. Remove the Retainer Band and Filter Bag from the Filter Cage.
2. Place the Replacement Filter Bag on the Filter Cage until the open end touches the bottom of the Powerhead Assembly.
3. Install the Retainer Band around the Filter Bag, locating it over the Rib Tabs on the Filter Cage.

IMPORTANT: To avoid damage to the Blower Wheel and Motor, always reinstall the Filter Bag before using the Vac for dry material pick-up.

Take the dirty Filter Bag to a disposal container and gently brush away small dirt particles that may be adhering to the Filter Bag material.

IMPORTANT: After cleaning, check the Filter Bag for tears or small holes. Do not use a Filter Bag with holes or tears in it. Even a small hole can allow a lot of dust to come out of your Vac. Replace it immediately.



Installation of Filter Bag

Before installing the Filter Bag on the Vac, clean the area of the Powerhead Assembly so that the Retainer Band will seal the Filter Bag against the Powerhead Assembly and stop small particles from bypassing the Filter Bag.

If the Filter Bag is clean and not damaged, replace it on the Filter Cage. If it cannot be reused, place a new Filter Bag over the Filter Cage.

Replace the Retainer Band around the Filter Bag. Make sure the Retainer Band is positioned on the Filter Bag, and the Filter Bag completely covers the Filter Cage. Also, make sure the edges of the Filter Bag are completely secured under the Retainer Band.

NOTE: Clean the Filter Bag in an open area. Cleaning should be done outdoors and not in the living quarters.

▲ WARNING:

Do not remove the filter cage and float. The float prevents liquid from entering the impeller and damaging the motor. The cage prevents fingers from touching the moving impeller.

Maintenance (continued)

Cleaning

To keep your Wet/Dry Vac looking its best, clean the outside with a cloth dampened with warm water and mild soap.

To clean the Drum:

1. Dump debris out.
2. Wash Drum thoroughly with warm water and mild soap.
3. Wipe out with dry cloth.

Storage

Before storing your Vac, the Drum should be emptied and cleaned. The Power Cord should be wrapped around the unit and the Hose should be stored as described in the Power Cord and Hose Storage Sections in this manual. Accessories should be kept in the same area as the Vac so they can be readily available. The Vac should be stored indoors.

The Power Cord cannot be replaced. If the Cord is damaged, the Vac should be destroyed and replaced.

Troubleshooting

Problem	Cause	Remedy
Vac will not pick up dirt	<ol style="list-style-type: none">1. Clogged Filter Bag.2. Clogged Hose.3. Air leak.	<ol style="list-style-type: none">1. Clean or replace Filter Bag (follow instructions on page 10).2. Remove Hose and clear debris.3. Make sure Powerhead is securely attached to Drum.
Vac will not run	<ol style="list-style-type: none">1. No electricity.	<ol style="list-style-type: none">1. Make sure electrical outlet has voltage. (A qualified electrician may need to be contacted).

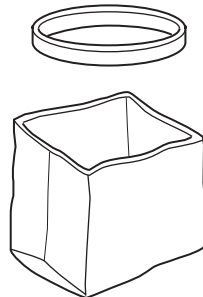
▲ WARNING:

If any of the powerhead assembly parts should become detached or broken, exposing motor or any other electrical components, operation should be discontinued immediately to avoid personal injury or further damage to the vacuum. This vacuum has no user serviceable parts.

Replacement Filter Bag

Replacement Filter Bags are available where you purchased your Vac.

The Stock Number is VF2000.





WET/DRY VAC

2.5 GAL/9.5 LITER

Model Number: HD20250

One Year Warranty

This limited warranty is offered by Emerson Tool Company, a division of Emerson Electric Co., located at the address below ("ETC" or "we" or "our" or "us") and applies to our STINGER - branded Wet/Dry Vacuums (collectively, the "STINGER™ Product").

If you have any questions or need assistance regarding the warranty of your STINGER Product, please contact ETC's STINGER Product Customer Service Department at the toll free number or at the address provided below.

STINGER™ Limited Warranty

ETC, located at 8100 W Florissant Ave, St. Louis, MO 63136 provides the following limited warranty to the original purchaser only ("you" or "your") subject to the exclusions described below: Your STINGER Product will be free from defects in material and workmanship when used under normal conditions in accordance with the terms of the Owner's Manual provided to you with the STINGER Product for a period of one (1) year beginning on the original date of purchase (the "Warranty Period"). This limited warranty terminates if the original purchaser transfers the STINGER Product to any other person or entity.

What is Not Covered - Warranty Exclusions

This limited warranty does not extend to and expressly excludes:

- Normal wear and tear and/or replacement attachments or accessories, including, without limitation, power cords, hoses, filters, and other attachments or accessories that may be offered for sale by us for use with the STINGER Product.
- Damage or burnout of the STINGER Product motor resulting from failure to clear a blockage occurring during the normal course of use.
- Loss or damage to the STINGER Product resulting from conditions beyond ETC's control including without limitation, misuse, accident, abuse, neglect, negligence (other than ETC's), overuse beyond intended capacity as set forth in the Owner's Manual, or modifications or alterations made by anyone other than ETC.
- Loss or damage to the STINGER Product resulting from failure to use the STINGER Product in accordance with the written instructions, guidelines, and terms and conditions set forth in the Owner's Manual.

Limited Warranty Notification and Claim Procedures

If you discover within the Warranty Period applicable to you that your STINGER Product has a defect that you believe is covered by this limited warranty, you must contact ETC's STINGER Product Customer Service Department at 1-866-994-8759 between the hours of 8:30 a.m. and 4:30 p.m. Central Time.

In order to make a warranty claim, you will need to provide us with a copy of your sales receipt or other proof of purchase showing the purchase date to confirm that your claim is within the Warranty Period and that you are the original purchaser.



EMERSON™

© 2019 Emerson

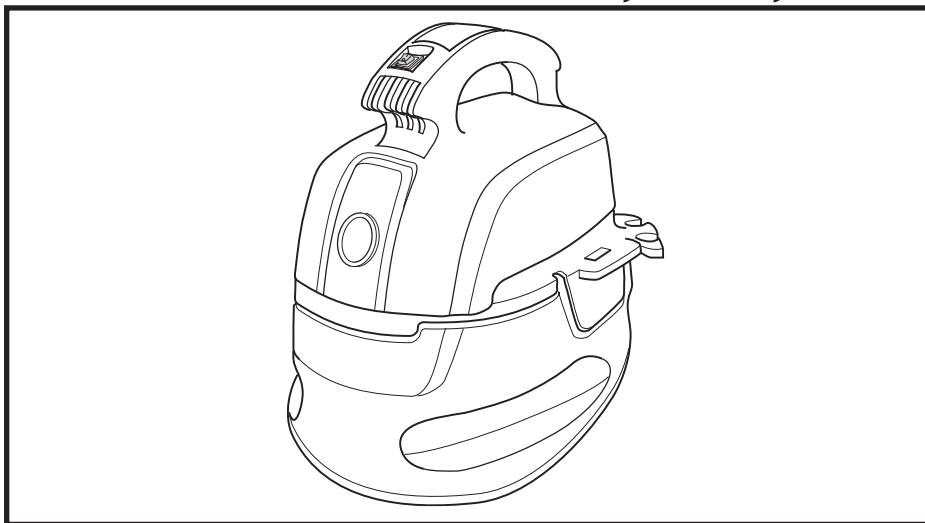
Part No. SP7068

Form No. SP7068

Printed in Mexico 02/19



ASPIRADORA PARA MOJADO/SECO 2,5 GAL/9,5 LITROS



MANUAL DEL USUARIO

HD2025

- **Ensamblaje**
- **Funcionamiento**

¿PREGUNTAS O COMENTARIOS? LLAME AL
En los EE.UU. o Canadá: 1-866-994-8759
En México: 001-888-237-8981

⚠ ADVERTENCIA:

Para su seguridad: Lea detenidamente todas las instrucciones

No. de existencias HD2025
No. de modelo HD20250

El número de modelo y el número de serie se pueden encontrar en el interior del asa de la aspiradora y/o en el pestillo del tambor. Se debe anotar tanto el número de modelo como el número de serie en un lugar seguro para uso futuro.

Índice

Sección	Página	Sección	Página
Instrucciones de seguridad importantes	14	Instrucciones de almacenamiento de accesorios	21
Introducción	16	Almacenamiento del cordón	21
Comprobación del contenido		Almacenamiento de la manguera	21
de la caja de cartón	16	Mantenimiento	22
Familiarización con la aspiradora	16	Bolsa de filtro	22
Instrucciones de conexión a tierra	17	Bolsa de filtro fácil de reemplazar	22
Funcionamiento	18	Instalación de la bolsa de filtro	22
Recogida de materiales secos		Limpieza	23
con la aspiradora	19	Almacenamiento	23
Recogida de líquidos con la aspiradora	19	Localización y resolución de problemas	23
Vaciado del tambor para polvo	20	Bolsa de filtro de repuesto	23
Dispositivo de soplado	20	Garantía	24

INSTRUCCIONES DE SEGURIDAD IMPORTANTES

La seguridad es una combinación de sentido común, permanecer alerta y saber cómo funciona la aspiradora para mojado/seco ("la aspiradora").

Palabras de señal de seguridad

⚠ PELIGRO:

Indica una situación peligrosa que, si no se evita, **causará** la muerte o lesiones graves.

⚠ ADVERTENCIA:

Indica una situación peligrosa que, si no se evita, **podría** causar la muerte o lesiones graves.

⚠ PRECAUCIÓN:

Indica una situación peligrosa que, si no se evita, **podría** causar lesiones leves o moderadas.

Cuando utilice la aspiradora, siga siempre las precauciones básicas de seguridad, incluyendo las siguientes:

⚠ ADVERTENCIA:

– Para reducir el riesgo de incendio, sacudidas eléctricas o lesiones:

- Lea y entienda este manual del usuario y todas las etiquetas que están colocadas en la aspiradora para mojado/seco antes de utilizarla.
- Utilice la aspiradora únicamente de la manera que se describe en este manual.
- No deje la aspiradora en marcha mientras esté desatendida. Usted podría no notar señales importantes que indiquen un funcionamiento anormal, tal como pérdida de succión, residuos o líquido que salen por el escape o ruidos anormales del motor. Deje de usar la aspiradora inmediatamente si observa estas señales.
- No abandone la aspiradora cuando esté enchufada. Desenchúfela del tomacorriente cuando no la esté utilizando y antes de realizar servicio de revisión.

- Las chispas que se producen en el interior del motor pueden incendiar los vapores inflamables o el polvo. Para reducir el riesgo de incendio o explosión: No recoja con la aspiradora líquidos, gases, o polvos combustibles como gasolina u otros combustibles, líquido encendedor, limpiadores, pinturas a base de aceite, gas natural, polvo de carbón, polvo de magnesio, polvo de aluminio, polvo de granos de cereal o pólvera, ni use la aspiradora cerca de estos materiales.
- No recoja con la aspiradora nada que esté ardiendo o humeando, como cigarrillos, fósforos o cenizas calientes.
- Para evitar el riesgo de autoignición de los residuos contenidos en el tambor, vacíe el tambor después de cada uso. Los materiales combustibles tales como los trapos y el aserrín, especialmente si contienen tinte para madera o uretano, pueden ser causas de dicho sobrecalentamiento.
- No recoja con la aspiradora polvo de panel de yeso, cenizas de chimenea frías ni otros polvos finos, los cuales es posible que pasen a través de la bolsa de filtro y sean expulsados de vuelta al aire.
- Para reducir el riesgo de inhalar vapores tóxicos, no recoja con la aspiradora materiales tóxicos o peligrosos ni la use cerca de dichos materiales.
- Para reducir el riesgo de descargas eléctricas, no exponga la aspiradora a la lluvia ni deje que entren líquidos en el compartimiento del motor. Guarde la aspiradora en un lugar interior.
- No permita que la aspiradora se utilice como un juguete. Se necesita prestar máxima atención cuando sea utilizada por niños o cerca de éstos.
- Esta aspiradora mojado/seco no se destina para utilizarse por personas (incluyendo niños) cuyas capacidades físicas, sensoriales o mentales sean diferentes o estén reducidas, o carezcan de experiencia o conocimiento, a menos que dichas personas reciban una supervisión o capacitación para el funcionamiento del aparato por una persona responsable de su seguridad.

- No use la aspiradora con un filtro desgarrado o sin tener el filtro instalado, excepto cuando recoja con ella líquidos de la manera que se describe en este manual. Los residuos secos absorbidos por el impulsor podrían dañar el motor o ser expulsados de vuelta al aire.
- Apague la aspiradora antes de desenchufarla.
- Para reducir el riesgo de lesiones debidas a un arranque accidental, desenchufe el cordón de energía antes de cambiar o limpiar el filtro.
- No desenchufe la aspiradora tirando del cordón. Para desenchufarla, agarre el enchufe y no el cordón.
- No use la aspiradora con el cordón dañado, el enchufe dañado u otras piezas dañadas. Si la aspiradora no funciona como debe, le faltan piezas, se ha caído, ha sido dañada, se ha dejado a la intemperie o se ha caído al agua, llame a servicio al cliente.
- No tire de la aspiradora usando el cordón ni la lleve por el cordón, ni use el cordón como asa, ni cierre una puerta sobre el cordón, ni tire del cordón alrededor de bordes o esquinas afilados. No pase la aspiradora en marcha sobre el cordón. Mantenga el cordón alejado de las superficies calientes.
- No maneje el enchufe, el interruptor o la aspiradora con las manos mojadas.
- Utilice únicamente cables de extensión con capacidad para uso a la intemperie y que tengan un conductor de conexión a tierra. Los cables de extensión que estén en malas condiciones o tengan un tamaño de alambre demasiado pequeño pueden presentar peligros de incendio y descargas eléctricas. Para reducir el riesgo de estos peligros, asegúrese de que el cable esté en buenas condiciones y que no entre ningún líquido en contacto con la conexión. No utilice un cable de extensión que tenga conductores de tamaño inferior a 1,3 mm² (16 AWG).
- Conecte la aspiradora solamente a un tomacorriente conectado a tierra apropiadamente. Consulte las instrucciones de conexión a tierra.
- No ponga ningún objeto en las aberturas de ventilación. No recoja nada con la aspiradora cuando cualquiera de las aberturas de ventilación esté bloqueada; mantenga dichas aberturas libres de polvo, pelusa, pelo o cualquier cosa que pueda reducir el flujo de aire.
- Mantenga el pelo, la ropa holgada, los dedos y todas las partes del cuerpo alejados de las aberturas y de las piezas móviles.
- Para reducir el riesgo de caídas, tenga cuidado adicional al limpiar en escaleras.
- Para reducir el riesgo de lesiones corporales o daños a la aspiradora, utilice únicamente accesorios recomendados por Stinger.
- Cuando utilice la aspiradora como soplador:
 - Dirija la descarga de aire solamente hacia el área de trabajo.
 - No dirija el aire hacia las personas que estén presentes.
 - Mantenga alejados a los niños durante la operación de soplado.
 - No utilice el soplador para trabajos que no sean soplar suciedad y residuos.
 - No use la aspiradora como rociador.
- Para reducir el riesgo de lesiones en los ojos, use protección ocular de seguridad. La utilización de cualquier aspiradora utilitaria o soplador utilitario puede hacer que se soplen objetos extraños hacia los ojos, lo cual puede causar daños graves en los ojos.

PRECAUCIÓN:

- Para reducir el riesgo de daños a la audición, use protectores de oídos cuando utilice la aspiradora durante muchas horas seguidas o cuando la emplee en un área ruidosa.
- Para operaciones que generan polvo, use una máscara antipolvo.
- Las descargas de estática son comunes cuando la humedad relativa del aire es baja. Si recoge residuos finos con la aspiradora, se puede depositar carga estática en la manguera o en la aspiradora. El mejor remedio para reducir la frecuencia de las descargas de estática en su casa o cuando use esta aspiradora es añadir humedad al aire con un humidificador.

Siga las siguientes advertencias que aparecen en la caja del motor de la aspiradora:

ADVERTENCIA:

- Para su propia seguridad, lea y entienda el manual del operador.
- No tenga en marcha la aspiradora desatendida.
- No recoja cenizas calientes, brasas, materiales inflamables, combustibles/autoincendiables o tóxicos, ni otros materiales peligrosos.
- No use la aspiradora alrededor de líquidos o vapores explosivos.

ADVERTENCIA:

- Para reducir el riesgo de sacudidas eléctricas, no exponga la aspiradora a la lluvia y almacénela en interiores.

GUARDE ESTE MANUAL

Introducción

Esta aspiradora está diseñada para uso doméstico solamente. Se puede utilizar para la recogida ligera de medios mojados o secos y también puede utilizarse como soplador. El diseño liviano permite la utilización para realizar la mayoría de las tareas domésticas de aspiración pequeñas.

Familiarícese con las siguientes características del producto y lea todo el manual del usuario para obtener instrucciones sobre la utilización específica de su nueva aspiradora para mojado/seco.

Comprobación del contenido de la caja de cartón

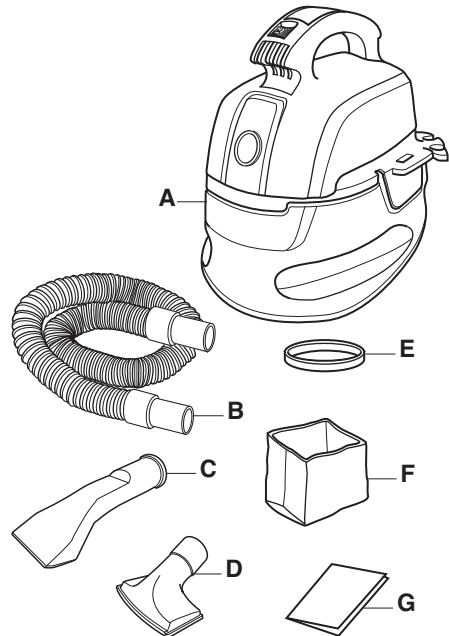
Saque todo el contenido de la caja de cartón. Asegúrese de que no falte ningún artículo utilizando la lista del contenido de la caja. En los EE.UU. o Canadá, llame al 1-866-994-8759, o en México llame al 001-888-237-8981, si alguna pieza está dañada o falta.

Lista del contenido de la caja de cartón

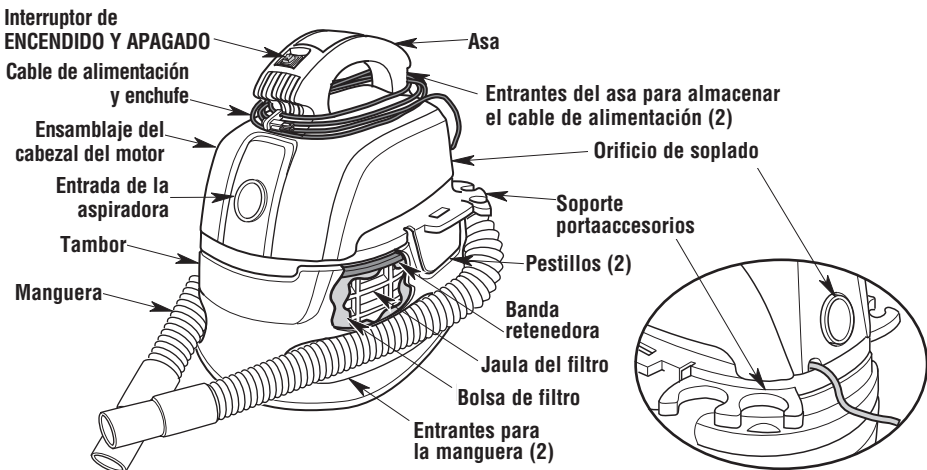
Clave	Descripción	Cant.
A	Aspiradora	1
B	Manguera	1
C	Boquilla para auto	1
D	Boquilla de uso general	1
E	* Banda retenedora	1
F	* Bolsa de filtro	1
G	Manual del usuario	1

* Reemplazo de las bolsas de filtro y la banda retenedora (ya ensambladas)

Las bolsas de filtro de repuesto se venden con el núm. de existencias VF2000. Están disponibles en el establecimiento donde usted compró la aspiradora Stinger.

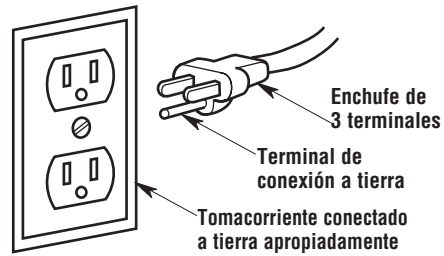


Familiarización con la aspiradora



Instrucciones de conexión a tierra

Este electrodoméstico se debe conectar a tierra. En caso de mal funcionamiento o avería, la conexión a tierra proporciona una ruta de resistencia mínima para la corriente eléctrica con el fin de reducir el riesgo de sacudidas eléctricas. Este electrodoméstico está equipado con un cordón que tiene un conductor de conexión a tierra del equipo y un enchufe de conexión a tierra. El enchufe debe introducirse en un tomacorriente apropiado que esté instalado correctamente y conectado a tierra adecuadamente, de acuerdo con todos los códigos y ordenanzas locales.

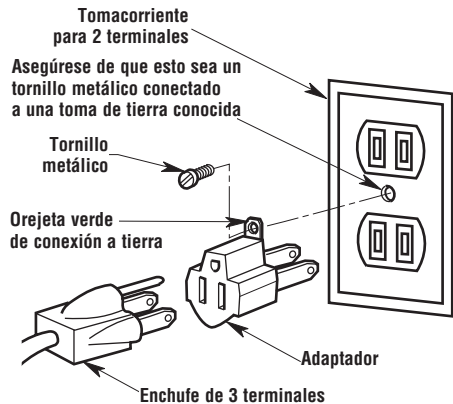


ADVERTENCIA:

La conexión incorrecta del conductor de conexión a tierra del equipo puede causar un riesgo de sacudidas eléctricas. Consulte a un electricista calificado o a una persona de servicio competente si tiene dudas sobre si el tomacorriente está conectado a tierra apropiadamente. No modifique el enchufe suministrado con el electrodoméstico. Si el enchufe no cabe en el tomacorriente, haga que un electricista calificado instale un tomacorriente apropiado.

Este electrodoméstico está diseñado para utilizarse en un circuito de 120 V nominales y tiene un enchufe conectado a tierra que tiene un aspecto como el del enchufe que se muestra en la ilustración. Se puede utilizar un adaptador temporal, que tenga un aspecto como el del adaptador que se muestra en la ilustración, para conectar este enchufe a un receptáculo de dos polos, de la manera que se muestra en la ilustración, si no se dispone de un tomacorriente conectado a tierra apropiadamente. El adaptador temporal debe utilizarse únicamente hasta que un electricista calificado pueda instalar un tomacorriente conectado a tierra apropiadamente. La orejeta, lengüeta o pieza similar rígida de color verde que sobresale del adaptador se debe conectar a una toma de tierra permanente, como por ejemplo una tapa de caja tomacorriente conectada a tierra apropiadamente. Siempre que se utilice el adaptador, se debe sujetar en la posición correcta con un tornillo metálico.

NOTA: En Canadá, el uso de un adaptador temporal no está permitido por el Código Eléctrico Canadiense.



Funcionamiento

⚠️ ADVERTENCIA:

Para reducir el riesgo de incendio, explosión o daños a la aspiradora:

- No deje la aspiradora en marcha mientras esté desatendida. Usted podría no notar señales importantes que indiquen un funcionamiento anormal, tal como pérdida de succión, residuos o líquido que salen por el escape o ruidos anormales del motor. Deje de usar la aspiradora inmediatamente si observa estas señales.
- Retire el paquete o los paquetes de batería cuando no estén en uso.
- No continúe usando la aspiradora cuando el flotador haya cortado la succión.
- Las chispas generadas dentro del motor pueden incendiar los materiales inflamables suspendidos en el aire. No utilice la aspiradora cerca de líquidos inflamables ni en áreas con gases o vapores inflamables o polvo explosivo/suspendido en el aire. Los líquidos inflamables, gases inflamables y los vapores inflamables incluyen: líquido encendedor, limpiadores tipo solvente, pinturas a base de aceite, gasolina, alcohol y rociadores tipo aerosol. Los polvos explosivos incluyen: carbón, magnesio, aluminio, grano de cereal y pólvora.
- No recoja con la aspiradora polvos explosivos, líquidos inflamables ni cenizas calientes.
- No deje aserrín ni trapos con residuos de tinte o de poliuretano dentro de la aspiradora. Vacíe el tambor después de recoger estos materiales potencialmente autocalentables.

⚠️ ADVERTENCIA:

Para reducir el riesgo de descargas eléctricas o lesiones:

- No exponga la aspiradora a la lluvia ni deje que entre líquido en el compartimiento del motor. Almacene la aspiradora en un lugar interior.
- No maneje el paquete o los paquetes de batería, el interruptor ni la aspiradora con las manos mojadas.
- Retire el paquete o los paquetes de batería de la aspiradora antes de hacer servicio de ajustes y reparaciones. Si su aspiradora no está funcionando como debiera, le faltan piezas, se ha caído, está dañada, se ha dejado a la intemperie o se ha caído al agua, devuélvala a un centro de servicio autorizado o llame a servicio al cliente.
- Cuando utilice un cordón de extensión, utilice únicamente cordones con capacidad nominal para uso a la intemperie que estén en buenas condiciones. No deje que la conexión entre en contacto con líquido.

⚠️ PRECAUCIÓN:

Para reducir el riesgo de daños a la audición, use protectores de oídos cuando utilice la aspiradora/soplador durante un tiempo prolongado o en un área ruidosa.

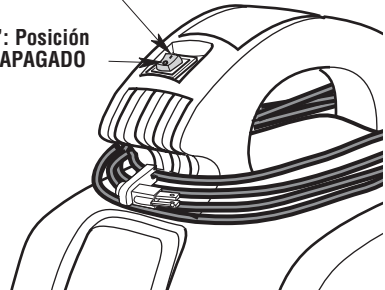
La aspiradora para mojado/seco de dos galones y medio se ensambla en la fábrica y está lista para utilizarse cuando se saca de la caja de cartón. La unidad está lista para aspirar o soplar materiales secos.

Después de enchufar el cordón de energía en el receptáculo de la pared, encienda la unidad empujando el interruptor de la posición "O" a la posición "I". Los símbolos utilizados en el interruptor son símbolos internacionales:

○ = APAGADO | ◐ = ENCENDIDO

"I": Posición de ENCENDIDO

"O": Posición de APAGADO

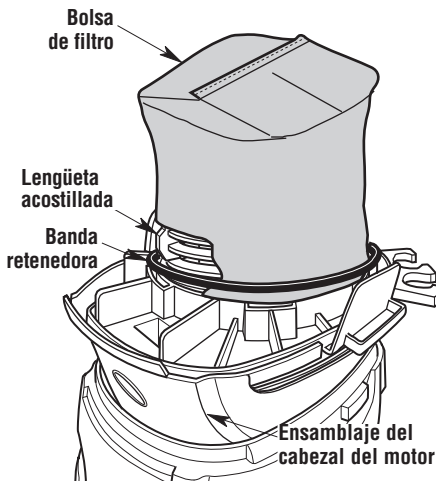


Funcionamiento (continuación)

Recogida de materiales secos con la aspiradora

1. La bolsa de filtro debe estar siempre en la posición correcta para reducir el riesgo de fugas y posibles daños a la aspiradora. Asegúrese de que la bolsa de filtro esté cubriendo completamente la jaula del filtro y que la banda retenedora esté lo más cerca posible del ensamblaje del cabezal del motor, ubicada encima de las lengüetas acostilladas que se encuentran en la jaula del filtro. Asegúrese de que no haya holguras entre la bolsa de filtro y el ensamblaje del cabezal del motor. (Vea la ilustración).

Es muy importante ensamblar la bolsa de filtro en la jaula sin permitir ninguna fuga o desgarradura posible. Cualquier fuga permitirá que el medio recogido se expulse por el orificio del soplador y vuelva al entorno circundante.



2. Para mantener el máximo rendimiento de la aspiradora cuando recoja residuos pequeños, como por ejemplo aserrín, podría ser útil vaciar el tambor para polvo y limpiar o reemplazar el filtro a intervalos más frecuentes.

NOTA: La bolsa de filtro debería estar seca para recoger material seco. Si usa la aspiradora para recoger residuos secos cuando el filtro está mojado, la bolsa de filtro se taponará rápidamente y será muy difícil limpiarlo. En caso de que la bolsa de filtro se moje, reemplácelo antes de continuar la recogida de material seco.

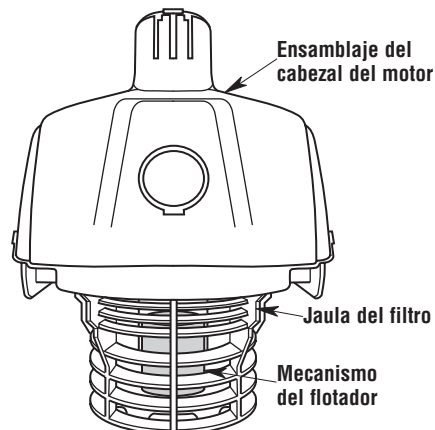
Recogida de líquidos con la aspiradora

1. Se recomienda enfáticamente quitar la bolsa de filtro para recoger material mojado.
2. Esta aspiradora para mojado/seco está equipada con un mecanismo de flotador que subirá automáticamente para cortar la circulación de aire cuando el líquido contenido en el tambor alcance un nivel predeterminado. Cuando esto ocurra, APAGUE la aspiradora, desenchufe el cordón de energía y vacíe el tambor. Sabrá que el flotador ha cortado la circulación de aire porque la succión cesará y el ruido del motor alcanzará una frecuencia más alta debido al aumento de la velocidad del motor. La capacidad de líquido puede variar con la velocidad de recogida.
3. Asegúrese de reemplazar la bolsa de filtro después de recoger material mojado. No recoja nunca residuos secos sin tener la bolsa de filtro instalado adecuadamente.

IMPORTANTE: Para reducir el riesgo de daños a la aspiradora, no haga funcionar el motor con el flotador en la posición subida.

⚠ ADVERTENCIA:
No utilice la aspiradora sin la jaula del filtro y el flotador, ya que estas piezas evitan que entre líquido en el impulsor y dañe el motor.

⚠ ADVERTENCIA:
No deje nunca la aspiradora en marcha mientras esté desatendida.



Funcionamiento (continuación)

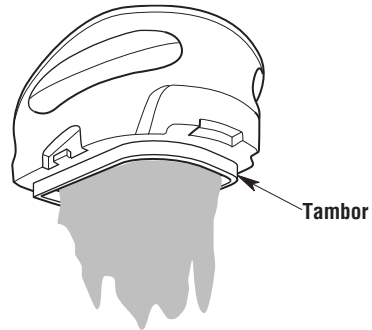
Vaciado del tambor para polvo

⚠ ADVERTENCIA:

Para reducir el riesgo de lesiones por causa de un arranque accidental, desenchufe el cable de alimentación antes de vaciar el tambor.



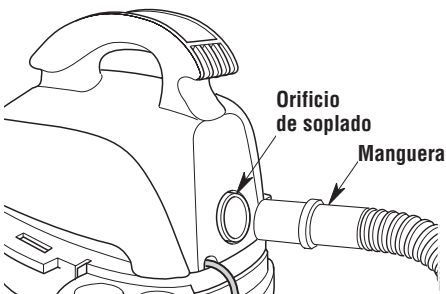
1. Ponga la aspiradora sobre una superficie estable, como el terreno, el piso, un banco, etc.
2. Quite el ensamblaje del cabezal del motor de la aspiradora para mojado/seco tirando hacia fuera de los pestillos ubicados a cada lado de la aspiradora. Levante el ensamblaje del cabezal del motor.
3. Tire el contenido del tambor en el recipiente de eliminación de residuos apropiado.



Dispositivo de soplado

La aspiradora contiene un dispositivo de soplado. Este dispositivo tiene capacidad para soplar aserrín y otros residuos. Es excelente para utilizarlo con el fin de soplar el polvo y los residuos para sacarlos de garajes o patios y entradas de autos. Siga los pasos que se indican más adelante para utilizar la aspiradora como soplador.

1. Localice el orificio de soplado de la aspiradora, ubicado en la parte trasera del ensamblaje del cabezal del motor.
2. Introduzca un extremo de la manguera de 4 pies x 1-1/4 pulgadas en el orificio de soplado.
3. ENCIENDA la aspiradora y estará listo para utilizarla como soplador.



⚠ ADVERTENCIA:

Use siempre protectores oculares de seguridad que cumplan con la norma ANSI Z87.1 (o en Canadá, con la norma CSA Z94.3) antes de utilizar la aspiradora como soplador.

⚠ ADVERTENCIA:

Para reducir el riesgo de lesiones a las personas que estén presentes, manténgalas alejadas de los residuos soplados.

⚠ PRECAUCIÓN:

Use una máscara antipolvo si el soplado genera polvo que podría ser inhalado.

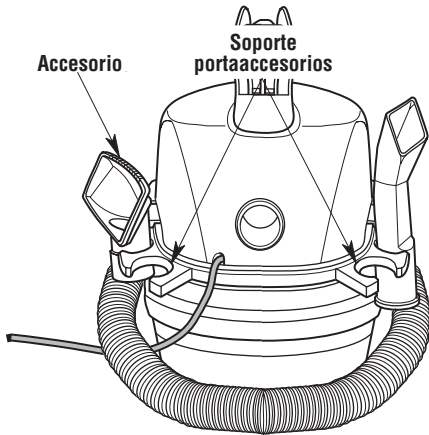
⚠ PRECAUCIÓN:

Para reducir el riesgo de daños a la audición, use protectores de oídos cuando utilice la aspiradora/soplador durante muchas horas seguidas o cuando la utilice en un área ruidosa.

Instrucciones de almacenamiento de accesorios

Área de almacenamiento de accesorios

Se proporciona un área de almacenamiento de accesorios en la parte trasera de la unidad. Sujete el accesorio en el soporte desde el lado de la manera que se muestra en la ilustración.



Almacenamiento de la manguera

El tambor tiene entrantes a cada lado para almacenar la manguera.

⚠ PRECAUCIÓN:

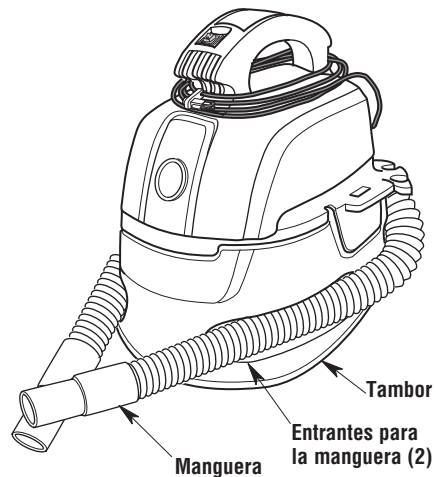
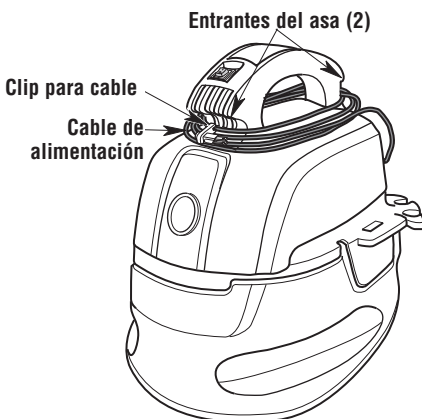
No utilice la aspiradora mientras la manguera aún esté enrollada alrededor del ensamblaje del cabezal del motor en la posición de almacenamiento.

⚠ ADVERTENCIA:

No ponga ningún objeto en las aberturas de ventilación. No recoja nada con la aspiradora cuando cualquiera de las aberturas de ventilación esté bloqueada; mantenga dichas aberturas libres de polvo, pelusa, pelo o cualquier cosa que pueda reducir el flujo de aire.

Almacenamiento del cordón

1. La aspiradora para mojado/seco tiene una práctica área para almacenar el cordón de energía cuando no se esté utilizando.
2. Enrolle el cable de alimentación alrededor de los entrantes del asa y acople a presión el clip para el cable en el cable de alimentación, de la manera que se muestra en la ilustración.



Mantenimiento

Bolsa de filtro

⚠ ADVERTENCIA:

Para reducir el riesgo de lesiones debidas a un arranque accidental, desenchufe el cordón de energía antes de cambiar o limpiar la bolsa de filtro.

Se debe limpiar a menudo la bolsa de filtro para mantener el rendimiento máximo de la aspiradora.

NOTA: La bolsa de filtro está hecho de material de alta calidad diseñado para detener partículas pequeñas, tales como aserrín. Maneje con cuidado la bolsa de filtro cuando lo quite para limpiarlo o instalar un filtro nuevo. No desgarre la bolsa de filtro al quitarlo o instalarlo si tiene intención de reutilizarlo.

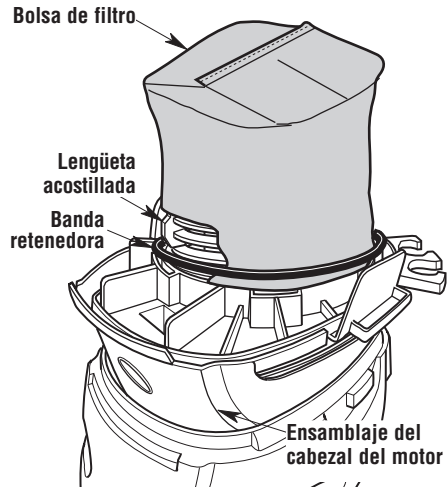
Bolsa de filtro fácil de reemplazar

1. Retire la banda retenedora y la bolsa de filtro de la jaula de filtro.
2. Coloque la bolsa de filtro de repuesto sobre la jaula del filtro hasta que el extremo abierto toque la parte inferior del ensamblaje del cabezal del motor.
3. Instale la banda retenedora alrededor de la bolsa de filtro, ubicándola sobre las lengüetas acostilladas de la jaula de filtro.

IMPORTANTE: Para evitar daños a la rueda del soplador y al motor, reinstale siempre la bolsa de filtro antes de utilizar la aspiradora para recoger material seco.

Lleve la bolsa de filtro sucia a un recipiente de desecho y quite suavemente con un cepillo las partículas de suciedad pequeñas que puedan estar adhiriéndose al material de la bolsa de filtro.

IMPORTANTE: Después de limpiar la bolsa de filtro, compruebe si tiene desgarraduras o agujeros pequeños. No utilice un filtro que tenga agujeros o desgarraduras. Incluso un agujero pequeño puede hacer que salga mucho polvo de la aspiradora. Reemplace inmediatamente dicho filtro.



Instalación de la bolsa de filtro

Antes de instalar la bolsa de filtro en la aspiradora, limpie el área del ensamblaje del cabezal del motor para que la banda retenedora selle la bolsa de filtro contra el ensamblaje del cabezal del motor e impida que las partículas pequeñas circunvalen la bolsa de filtro.

Si la bolsa de filtro está limpia y no está dañada, colóquela de nuevo en la jaula del filtro. Si la bolsa de filtro no se puede reutilizar, coloque una bolsa de filtro nueva sobre la jaula de filtro.

Coloque de nuevo la banda retenedora alrededor de la bolsa de filtro. Asegúrese de que la banda retenedora esté posicionada sobre la bolsa de filtro y de que la bolsa de filtro cubra completamente la jaula de filtro. Además, asegúrese de que los bordes de la bolsa de filtro estén completamente sujetos debajo de la banda retenedora.

NOTA: Limpie la bolsa de filtro en un área abierta. La limpieza se debe realizar en el exterior y no en áreas interiores de vivienda.

⚠ ADVERTENCIA:

No quite la jaula del filtro y el flotador. El flotador evita que entre líquido en el impulsor y dañe el motor. La jaula impide que los dedos toquen el impulsor cuando éste está en movimiento.

Mantenimiento (continuación)

Limpieza

Para mantener el mejor aspecto posible de la aspiradora para mojado/seco, limpie su exterior con un paño humedecido con agua templada y un jabón suave.

Para limpiar el tambor:

1. Vacíe de residuos del tambor.
2. Lave a fondo el tambor con agua templada y un jabón suave.
3. Limpie el tambor con un paño seco.

Almacenamiento

Antes de almacenar la aspiradora, se debe vaciar y limpiar el tambor para polvo. El cordón se debe enrollar alrededor de la unidad y la manguera se debe almacenar de la manera descrita en la sección sobre almacenamiento del cordón y de la manguera de este manual. Los accesorios se deben mantener en la misma área que la aspiradora para que estén al alcance de la mano cuando se necesiten. La aspiradora se debe almacenar en interiores.

El cordón de energía no se puede reemplazar. Si el cordón de energía se daña, la aspiradora debe ser destruida y reemplazada.

Localización y resolución de problemas

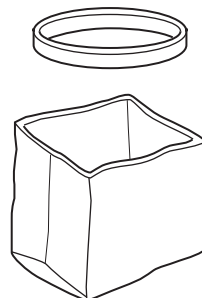
Problema	Causa	Remedio
La aspiradora no recoge la suciedad.	<ol style="list-style-type: none">1. Bolsa de filtro taponada2. Manguera taponada3. Fuga de aire	<ol style="list-style-type: none">1. Limpie o reemplace la bolsa de filtro (siga las instrucciones de la página 22)2. Quite la manguera y retire los residuos.3. Asegúrese de que el cabezal del motor esté sujeto firmemente al tambor para polvo.
La aspiradora no funciona.	<ol style="list-style-type: none">1. No hay electricidad	<ol style="list-style-type: none">1. Asegúrese de que el tomacorriente tenga corriente. (Es posible que sea necesario ponerse en contacto con un electricista calificado.)

⚠ ADVERTENCIA:

Si cualquiera de las piezas del ensamblaje del cabezal del motor se desprende o rompe, dejando al descubierto el motor o cualquier otro componente eléctrico, se debe interrumpir inmediatamente la operación para reducir el riesgo de lesiones personales o daños adicionales a la aspiradora. Esta aspiradora no tiene piezas que puedan ser ajustadas o reparadas por el usuario.

Bolsa de filtro de repuesto

Las bolsas de filtros de repuesto están disponibles en el establecimiento donde usted compró la aspiradora. El número de existencias es VF2000.





ASPIRADORA PARA MOJADO/SECO 2,5 GAL/9,5 LITROS

Número de modelo: HD20250

Garantía de un año

Esta garantía limitada es ofrecida por Emerson Tool Company, una división de Emerson Electric Co., radicada en la dirección que se indica más abajo ("ETC" o "nosotros" o "nuestro" o "nuestra") y se aplica a nuestras aspiradoras para seco/mojado de la marca STINGER (colectivamente, el "Producto STINGER™").

Si tiene preguntas o necesita asistencia en relación con la garantía de su Producto STINGER, sírvase contactar al Departamento de Servicio al Cliente de Productos STINGER de ETC llamando al número gratuito o escribiendo a la dirección provista más abajo.

Garantía limitada de STINGER™

ETC, radicada en 8100 W Florissant Ave, St. Louis, MO 63136, ofrece la siguiente garantía limitada al comprador original solamente ("usted" o "su"), sujeta a las exclusiones que se describen a continuación: Su Producto STINGER estará libre de defectos de material y de fabricación cuando se utilice en circunstancias normales de acuerdo con los términos establecidos en el Manual del Usuario que se le entregue a usted con el Producto STINGER, durante un período de un (1) año a partir de la fecha de compra original (el "Período de Garantía"). Esta garantía limitada se termina si el comprador original transfiere el Producto STINGER a cualquier otra persona o entidad.

Lo que no está cubierto: Exclusiones de la garantía

Esta garantía limitada no se extiende a lo siguiente y lo excluye expresamente:

- El desgaste por el uso normal y/o los aditamentos o accesorios de repuesto, incluyendo, sin limitación, cables de alimentación, mangueras, filtros y otros aditamentos o accesorios que pongamos a la venta para utilizarlos con el Producto STINGER.
- Los daños al motor del Producto STINGER o la quemadura de dicho motor que resulten del hecho de no despejar una obstrucción que ocurra durante el transcurso normal del uso.
- La pérdida del Producto STINGER o los daños al mismo que resulten de situaciones que estén más allá del control de ETC, incluyendo, sin limitación, uso incorrecto, accidente, abuso, descuido, negligencia (que no sea de ETC), sobreutilización más allá de la capacidad prevista según se establezca en el Manual del Usuario o modificaciones o alteraciones realizadas por alguien ajeno a ETC.
- La pérdida del Producto STINGER o los daños al mismo que resulten del hecho de no usar el Producto STINGER de acuerdo con las instrucciones escritas, las directrices y los términos y condiciones que se establezcan en el Manual del Usuario.

Procedimientos de notificación y reclamo bajo la garantía limitada

Si descubre dentro del Período de Garantía aplicable que su Producto STINGER tiene un defecto que cree que está cubierto por esta garantía limitada, debe contactar al Departamento de Servicio al Cliente de Productos STINGER de ETC llamando al 1-866-994-8759 entre las horas de 8:30 a.m. y 4:30 p.m. Hora Central.

Para presentar un reclamo bajo garantía, tendrá que proporcionarnos una copia de su recibo de venta u otro comprobante de compra que muestre la fecha de compra, para confirmar que su reclamo está dentro del Período de Garantía y que usted es el comprador original.



EMERSON™

© 2019 Emerson

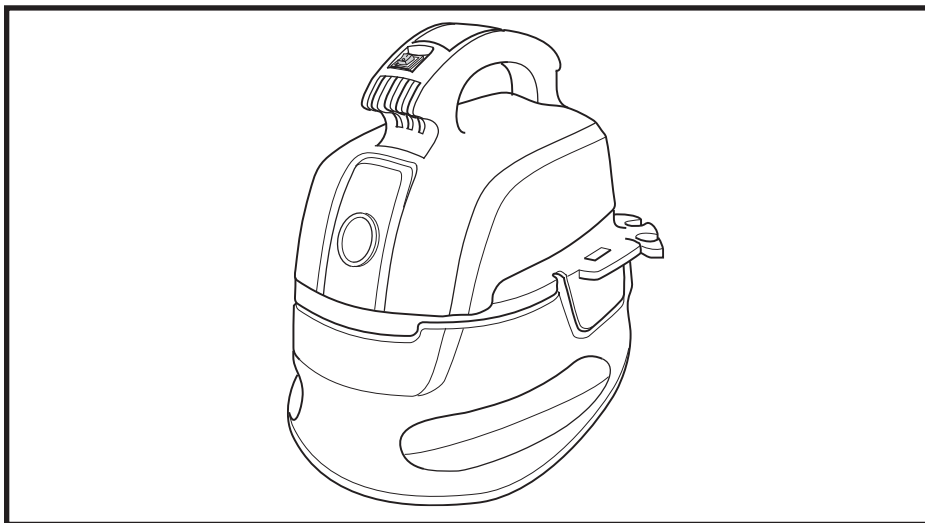
No. de pieza SP7068

Formulario No. SP7068

Impreso en México 02/19



ASPIRATEUR DE LIQUIDES ET DE POUSSIÈRES 2,5 GAL/9,5 LITRES



MODE D'EMPLOI

HD2025

• Montage • Fonctionnement

QUESTIONS OU COMMENTAIRES ? TÉLÉPHONER
Aux États-Unis ou au Canada : 1-866-994-8759
Au Mexique : 001-888-237-8981

⚠ AVERTISSEMENT :

Pour votre sécurité : Lire attentivement toutes les instructions.

N° de catalogue : HD2025
N° de modèle : HD20250

Les numéros de modèle et de série sont indiqués à l'intérieur de la poignée de l'aspirateur et/ou sur le loquet de verrouillage du tambour. Nous vous conseillons d'inscrire ces deux numéros dans un endroit sûr afin de pouvoir vous y référer à l'avenir.

Table des matières

Sujet	Page	Sujet	Page
Instructions importantes relatives à la sécurité	26	Instructions pour le rangement des accessoires	33
Introduction	28	Rangement du cordon d'alimentation	33
Déballage et contrôle du contenu du carton	28	Rangement du tuyau	33
Apprenez à connaître votre aspirateur	28	Entretien	34
Instructions relatives à la mise à la terre	29	Sac filtrant	34
Fonctionnement	30	Sac filtrant facile à remplacer	34
Aspiration de matériaux secs	31	Installation du sac filtrant	34
Aspiration de liquides	31	Nettoyage	35
Vidage du tambour à poussière	32	Rangement	35
Soufflerie	32	Localisation de la cause des problèmes	35
		Sac filtrant de rechange	35
		Garantie	36

INSTRUCTIONS IMPORTANTES RELATIVES À LA SÉCURITÉ

Pour utiliser cet aspirateur en toute sécurité, l'utilisateur doit faire preuve de bon sens, rester alerte et savoir comment l'appareil fonctionne.

Termes de signalisation de questions de sécurité

⚠ DANGER :

Indique une situation dangereuse imminente qui, si elle n'est pas évitée, **causera** la mort ou une blessure grave.

⚠ AVERTISSEMENT :

Indique une situation pouvant être dangereuse qui, si elle n'est pas évitée, **risque de causer** la mort ou une blessure grave.

⚠ MISE EN GARDE :

Indique une situation pouvant être dangereuse qui, si elle n'est pas évitée, **pourrait causer** une blessure légère ou modérée.

Prenez toujours des précautions élémentaires, notamment les précautions suivantes, lorsque vous utilisez votre aspirateur de liquides et de poussières :

⚠ AVERTISSEMENT :

– Pour réduire le risque d'incendie, de choc électrique ou de blessure :

- Lisez et comprenez ce manuel et toutes les étiquettes placées sur l'aspirateur avant de mettre celui-ci en marche.
- N'utilisez l'aspirateur que comme cela est décrit dans ce mode d'emploi.
- Ne laissez pas en marche pendant que vous êtes absent – vous vous risqueriez de manquer des signes importants indiquant un fonctionnement anormal, comme une perte de puissance d'aspiration, la sortie de débris ou de liquides par la bouche de soufflage d'air ou des bruits anormaux en provenance du moteur. Cessez immédiatement d'utiliser l'aspirateur si vous constatez de tels signes.

- Ne laissez pas l'aspirateur sans surveillance quand il est branché dans une prise de courant. Débranchez-le de la prise quand il n'est pas utilisé et avant toute opération de maintenance.
- Des étincelles à l'intérieur du moteur risquent de mettre feu à des vapeurs ou poussières inflammables. Pour réduire le risque d'incendie ou d'explosion : n'aspirez pas et n'utilisez pas à proximité de gaz ou de liquides inflammables ou combustibles, ou de poussières explosives, comme de l'essence automobile ou d'autres fiouls, de l'essence à briquet, des produits de nettoyage, de la peinture à l'huile, du gaz naturel, de la poussière de charbon, de la poussière de magnésium, de la poussière d'aluminium, de la poussière de céréales ou de la poudre.
- N'aspirez jamais de matières en train de brûler ou des matières fumigènes, telles que des cigarettes, des allumettes ou des cendres chaudes.
- Videz le tambour après chaque utilisation pour éviter le risque d'auto-inflammation des débris du tambour. Les matériaux combustibles, tels que des chiffons ou de la sciure contenant des colorants ou de l'uréthane, peuvent être des sources d'une telle surchauffe.
- N'aspirez pas de poussières de cloisons sèches, de cendres de cheminée froides ou d'autres poussières fines, parce qu'elles risqueraient de traverser le sac-filtre et d'être rejetées dans l'air ambiant.
- Pour réduire le risque d'inhalation de vapeurs toxiques, n'aspirez pas de matériaux toxiques ou dangereux, et n'utilisez pas à proximité de tels matériaux.
- Pour réduire le risque de choc électrique, n'exposez pas à la pluie et empêchez l'entrée de liquides dans le compartiment du moteur. Rangez à l'intérieur.
- Ne laissez pas les enfants se servir de l'aspirateur comme d'un jouet. Il faut surveiller de très près quand il est utilisé par des enfants ou à proximité d'enfants.
- Cet aspirateur de liquides et de poussières n'est pas conçu pour emploi par des personnes (y compris des enfants) ayant des capacités physiques, sensorielles ou mentales réduites, ou qui n'ont pas l'expérience ou les connaissances nécessaires, sauf en cas de supervision ou d'instructions sur l'utilisation de

cet appareil par une personne responsable de leur sécurité.

- N'utilisez pas avec un filtre déchiré ou sans avoir installé de filtre, sauf quand vous aspirez des liquides, comme cela est décrit dans ce mode d'emploi. Des débris secs capturés par la roue risquent d'endommager le moteur ou d'être expulsés à nouveau dans l'air ambiant.
- Éteignez l'aspirateur avant de le débrancher.
- Pour réduire le risque de blessure pouvant être causée par une mise en marche accidentelle, débranchez le cordon d'alimentation avant de changer le filtre ou de le nettoyer.
- Ne débranchez pas en tirant sur le cordon. Pour débrancher, saisissez la fiche – pas le cordon.
- N'utilisez pas l'aspirateur avec une fiche, un cordon ou un autre composant endommagé. Si votre aspirateur ne fonctionne pas comme il faut, s'il manque des pièces, s'il quelqu'un l'a laissé tomber, s'il est endommagé, s'il a été laissé à l'extérieur ou s'il est tombé dans de l'eau, téléphonez au service d'assistance à la clientèle.
- Ne tirez pas l'aspirateur et ne le portez pas par son cordon, n'utilisez pas le cordon pour servir de poignée, ne fermez pas une porte sur le cordon et ne laissez pas le cordon tendu passer sur des bords ou des coins tranchants. Ne traînez pas l'aspirateur sur son cordon. Maintenez le cordon à distance des surfaces chauffées.
- Ne touchez pas la fiche, l'interrupteur ou l'aspirateur avec des mains mouillées.
- Utilisez seulement des cordons de rallonge qui sont conçus pour emploi à l'extérieur. Les cordons de rallonge en mauvais état ou trop petits en termes de calibre des fils peuvent poser des risques d'incendie et de choc électrique. Pour réduire le risque de tels dangers, inspectez les cordons pour vous assurer qu'ils sont en bon état et que le liquide n'entre pas en contact avec le raccordement. N'utilisez pas de cordons de rallonge dont les conducteurs ont un calibre inférieur à 1,3 mm² (16 AWG).
- Connecter cet outil uniquement à une prise mise à la terre correctement. Veuillez vous reporter aux instructions relatives à la mise à la terre.
- Ne mettez aucun objet dans les orifices de ventilation. N'aspirez pas quand de quelconques orifices de ventilation sont obstrués ; assurez-vous que ces orifices ne sont pas bloqués par de la poussière, de la peluche, des cheveux ou de quelconques objets pouvant réduire la circulation de l'air.
- Gardez les cheveux, les vêtements flottants, les doigts et toutes les parties du corps à distance des orifices et des pièces mobiles.
- Pour réduire le risque de chute, faites très attention lorsque vous utilisez l'aspirateur dans des escaliers.
- Pour réduire le risque de blessure ou le risque d'endommagement de l'aspirateur, n'utilisez que des accessoires recommandés par Stinger.

- En cas d'utilisation de l'aspirateur comme soufflante :
 - Ne dirigez la décharge d'air que vers la zone de travail.
 - Ne dirigez pas l'air vers des personnes présentes à proximité.
 - Gardez les enfants à distance lors du fonctionnement de la soufflante.
 - N'utilisez la soufflante que pour souffler des saletés et des débris.
 - N'utilisez pas en guise de pulvérisateur.
- Pour réduire le risque de blessure pour les yeux, portez des lunettes de sécurité. L'utilisation de toute soufflante ou de tout aspirateur utilitaire peut toujours causer la projection de corps étrangers dans les yeux, ce qui risque d'entraîner des blessures graves aux yeux.

▲ MISE EN GARDE :

- Pour réduire le risque de perte auditive, portez des protecteurs d'oreilles lorsque vous vous servez de l'aspirateur pendant plusieurs heures ou quand vous l'utilisez dans un endroit bruyant.
- Portez un masque antipoussières en cas d'utilisation dans un environnement poussiéreux.
- Les décharges statiques sont fréquentes dans les endroits secs ou lorsque l'humidité relative de l'air ambiant est faible. L'aspiration de débris fins avec votre aspirateur peut déposer une charge statique sur le tuyau ou sur l'aspirateur. La meilleure chose à faire pour réduire la fréquence des décharges statiques chez vous ou lorsque vous utilisez cet aspirateur consiste à ajouter de l'humidité dans l'air avec un humidificateur.

Observez les avertissements suivants qui figurent sur le carter du moteur de votre aspirateur :

▲ AVERTISSEMENT :

- Pour votre propre sécurité, lisez et comprenez le manuel de l'opérateur.
- Ne laissez jamais l'aspirateur en marche sans surveillance.
- Ne ramassez pas de cendres chaudes, de charbon, de matériaux inflammables, combustibles/auto-inflammables, de matériaux toxiques ou d'autres matériaux dangereux.
- N'utilisez pas à proximité de vapeurs ou de liquides explosifs.

▲ AVERTISSEMENT :

- Pour réduire le risque de choc électrique – n'exposez pas à la pluie – rangez à l'intérieur.

CONSERVER CE MANUEL

Introduction

Cet aspirateur a été conçu pour une utilisation ménagère uniquement. Il peut être utilisé pour l'aspiration de débris humides ou secs, mais aussi comme une soufflerie. Sa conception légère lui permet d'être utilisé pour la plupart des travaux

ménagers d'aspiration. Familiarisez-vous avec les fonctions suivantes de ce produit, et lisez le mode d'emploi du début à la fin pour des détails spécifiques quant à l'utilisation de votre nouvel aspirateur de liquides et poussières.

Déballage et contrôle du contenu du carton

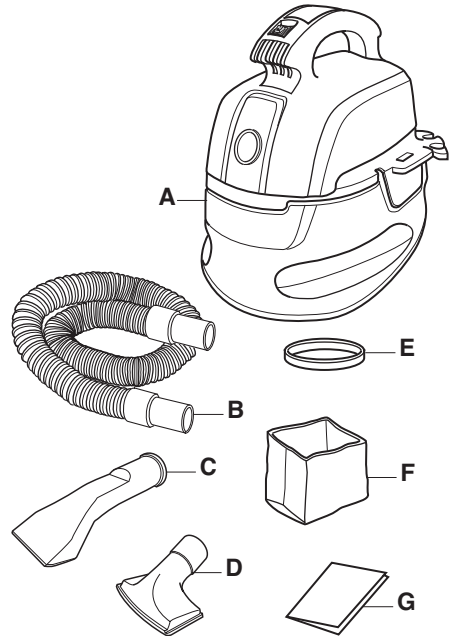
Vider complètement la boîte en carton. Inspecter chaque élément en le comparant à la liste incluse dans la boîte en carton. Aux États-Unis ou au Canada appelez le 1-866-994-8759, ou au Mexique appelez le 001-888-237-8981, si des pièces sont endommagées ou manquantes.

Liste du contenu de la boîte en carton

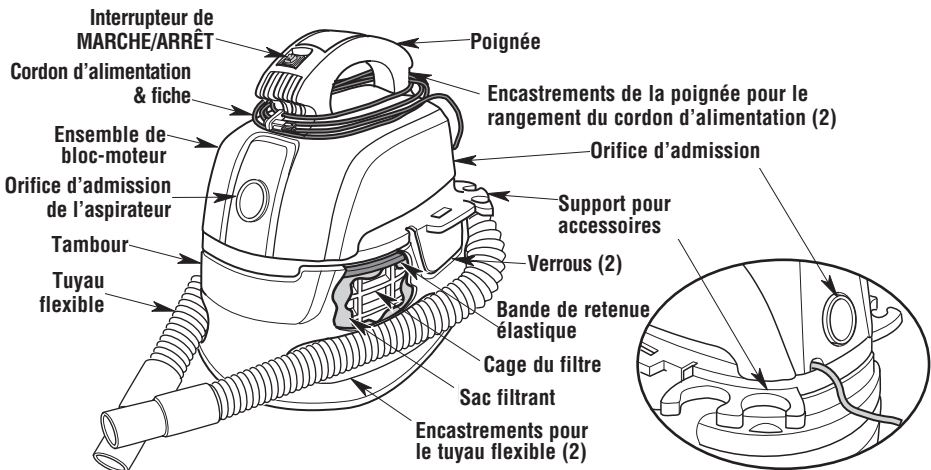
Légende	Description	Qté
A	Aspirateur	1
B	Tuyau	1
C	Suceur pour véhicules	1
D	Suceur à usages multiples	1
E	* Bande de retenue	
F	* Sac filtrant	1
G	Mode d'emploi	1

* Sacs filtrants de rechange et bande élastique de retenue (déjà assemblés)

Les sacs filtrants de rechange sont vendus sous le numéro de référence VF2000. Vous pouvez vous procurer ces filtres dans le magasin où vous avez acheté votre aspirateur Stinger.

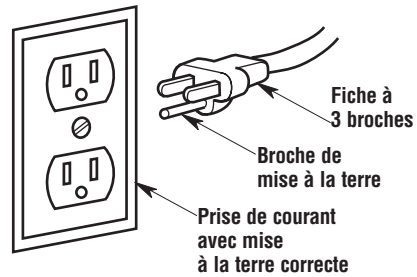


Apprenez à connaître votre aspirateur



Instructions relatives à la mise à la terre

Cet appareil doit être mis à la terre. Dans le cas d'un mauvais fonctionnement ou d'une panne de l'appareil, la mise à la terre fournit un chemin de moindre résistance pour le courant électrique qui permet de réduire le risque de choc électrique. Cet appareil est équipé d'un cordon électrique muni d'un conducteur de mise à la terre et d'une fiche de mise à la terre. Cette fiche doit être branchée dans une prise compatible qui a été correctement installée et mise à la terre conformément à tous les codes et à toutes les ordonnances en vigueur.

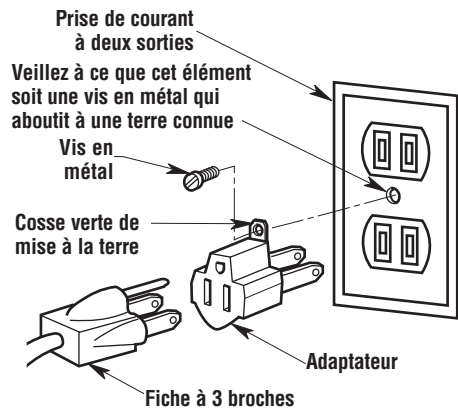


AVERTISSEMENT :

Une connexion erronée du conducteur de mise à la terre de l'appareil peut entraîner des risques de choc électrique. Adressez-vous à un électricien qualifié ou à un membre du personnel de service si vous n'êtes pas sûr que votre outil est correctement mis à la terre. Ne modifiez pas la fiche qui vous a été fournie avec cet appareil – Si elle n'est pas compatible avec votre prise de courant, demandez à un électricien qualifié de vous installer une prise appropriée.

Cet appareil a été conçu pour être utilisé sur un circuit nominal de 120 volts, et il est muni d'une fiche à trois broches (dont une de mise à la terre) qui ressemble à la fiche représentée sur l'illustration. Si vous n'avez pas à votre disposition une prise de courant avec mise à la terre correcte, un adaptateur temporaire qui ressemble à l'adaptateur représenté sur l'illustration peut être utilisé pour brancher cette fiche dans une prise de courant à deux sorties. Cet adaptateur temporaire ne doit être utilisé que jusqu'à ce qu'un électricien agréé ait installé une prise de courant avec mise à la terre correcte. La patte rigide de couleur verte, la cosse et les autres pièces qui dépassent de l'adaptateur doivent être connectées à une terre permanente telle qu'une boîte à prise de courant mise à la terre correctement. Chaque fois que l'adaptateur est utilisé, il doit être tenu en place par une vis en métal.

REMARQUE : Au Canada, l'utilisation d'un adaptateur temporaire n'est pas autorisée par le code d'électricité du Canada.



Fonctionnement

⚠ AVERTISSEMENT :

Pour réduire le risque d'incendie, d'explosion ou d'endommagement de l'aspirateur :

- Ne laissez pas en marche pendant que vous êtes absent – vous vous risqueriez de manquer des signes importants indiquant un fonctionnement anormal, comme une perte de puissance d'aspiration, la sortie de débris ou de liquides par la bouche de soufflage d'air ou des bruits anormaux en provenance du moteur. Cessez immédiatement d'utiliser l'aspirateur si vous constatez de tels signes.
- Ne laissez pas l'aspirateur branché lorsque vous ne l'utilisez pas.
- Ne continuez pas à utiliser l'aspirateur lorsque le flotteur a coupé l'aspiration.
- Les étincelles à l'intérieur du moteur risqueraient de mettre feu à des matières inflammables en suspension dans l'air. Ne pas utiliser l'aspirateur à proximité de liquides inflammables ou à des endroits où il y a des gaz ou des vapeurs inflammables, ou de la poussière explosive/dans l'air. Les liquides, gaz et vapeurs inflammables comprennent : essence à briquet, produits de nettoyage du type solvant, peinture à base d'huile, essence, alcool et aérosols. Types de poussières explosives : charbon, magnésium, aluminium, céréales et poudre noire.
- N'aspirez pas de poussières explosives, de liquides inflammables ou de cendres chaudes.
- Ne laissez pas de sciure ou de chiffons avec des résidus de teinture ou de polyuréthane à l'intérieur de l'aspirateur. Videz le tambour après avoir ramassé ces matériaux potentiellement autochauffants.

⚠ AVERTISSEMENT :

Pour réduire le risque de choc électrique ou de blessure :

- N'exposez pas à la pluie, et ne laissez pas de liquides pénétrer dans le compartiment du moteur. Rangez à l'intérieur.
- Ne touchez pas la fiche de branchement, l'interrupteur ou l'aspirateur si vous avez les mains mouillées.
- Débrancher l'aspirateur avant d'effectuer une quelconque opération de maintenance. Si votre aspirateur ne fonctionne pas comme il devrait, s'il manque des pièces, s'il est tombé par terre ou a été endommagé, s'il a été laissé à l'extérieur ou s'il est tombé dans de l'eau, rappelez-le à un centre de service après-vente agréé ou téléphonez au service à la clientèle.
- Lorsque vous utilisez un cordon de rallonge, n'utilisez qu'un cordon prévu pour emploi à l'extérieur et en bon état. Ne laissez pas la connexion entrer en contact avec des liquides.

⚠ MISE EN GARDE :

Pour réduire le risque de dommages auditifs, portez des protège-oreilles lorsque vous utilisez l'aspirateur/souffler pendant une période prolongée ou dans une zone bruyante.

Votre aspirateur de liquides et de poussières de 9,5 litres (2,5 gallons) a été assemblé en usine, et il est prêt à l'emploi quand vous le déballez du carton. L'appareil est prêt à assurer ses fonctions de soufflerie, ou d'aspiration de déchets secs.

Après avoir branché le cordon d'alimentation dans la prise de courant, mettez l'appareil sous tension en appuyant sur l'interrupteur pour le faire passer de la position « O » à la position « I ». Les deux symboles internationaux qui figurent sur l'interrupteur indiquent, respectivement, la position de marche et la position d'arrêt de votre aspirateur.



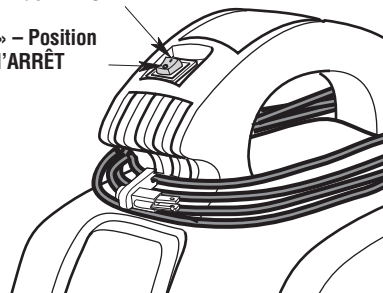
= ARRÊT



= MARCHÉ

« I » – Position
de MARCHÉ

« O » – Position
d'ARRÊT



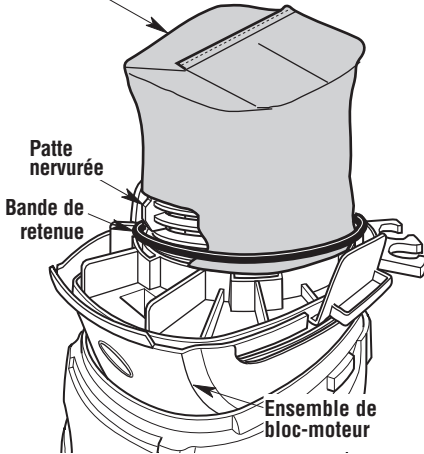
Fonctionnement (suite)

Aspiration de matériaux secs

1. Le sac filtrant doit toujours être dans la position correcte pour réduire le risque de fuites et d'endommagement de l'aspirateur. Assurez-vous que le sac filtrant recouvre complètement la cage du filtre et que la bande de retenue élastique est aussi près que possible de l'ensemble de bloc-moteur, au-dessus des nervures sur la cage du filtre. Assurez-vous qu'il n'y a pas d'écart entre le sac filtrant et l'ensemble de bloc-moteur. (Voir l'illustration).

Il est très important d'assembler le sac filtrant et la cage sans permettre la moindre possibilité de fuite ou de déchirure. Toute fuite causerait l'éjection des déchets aspirés par l'orifice de soufflerie et leur propagation dans l'environnement immédiat.

Sac filtrant



2. Lorsque vous utilisez votre aspirateur pour aspirer des poussières fines, vous devrez vider le tambour à poussière ou remplacer le filtre plus fréquemment afin de maintenir la performance maximale de l'aspirateur.

REMARQUE : Le sac filtrant doit être sec pour aspirer des déchets secs. Si vous vous servez de l'aspirateur en vue de ramasser de la poussière alors que le sac filtrant est humide, le filtre se bouchera très vite et il sera ensuite très difficile à nettoyer. Si le sac filtrant est humide, remplacez-le avant de continuer à ramasser des matériaux secs.

Aspiration de liquides

1. Il est fortement recommandé de retirer le sac filtrant avant d'aspirer des déchets humides.
2. Votre aspirateur de liquides et de poussières est muni d'un flotteur qui s'élève automatiquement afin de couper la circulation de l'air lorsque le liquide aspiré atteint un niveau prédéterminé dans le tambour. Lorsque ceci se produit, mettez l'aspirateur HORS TENSION, débranchez le cordon d'alimentation et videz le tambour. Vous vous rendrez compte que le flotteur a fermé la circulation de l'air parce que le bruit de succion s'interrompt et parce que le bruit du moteur devient alors plus aigu en raison de l'accélération de sa vitesse. La capacité d'aspiration de liquide de l'aspirateur peut varier en fonction de la vitesse de ramassage.
3. N'oubliez pas de changer le sac filtrant après un ramassage de débris humides. Ne ramassez jamais de débris secs si le sac filtrant n'est pas installé correctement.

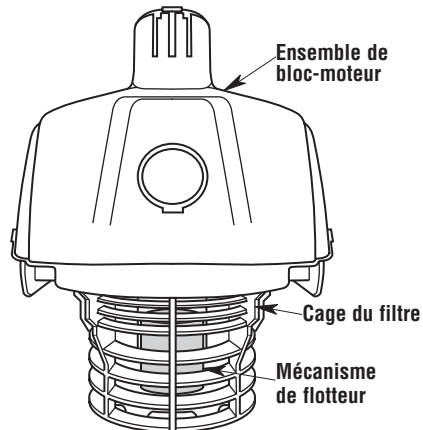
IMPORTANT : Pour réduire les risques d'endommager l'aspirateur, ne faites pas fonctionner le moteur quand le flotteur est dans la position élevée.

⚠ AVERTISSEMENT :

Ne faites pas fonctionner sans la cage du filtre et le flotteur étant donné qu'ils empêchent l'entrée de liquide dans la roue et protègent ainsi le moteur contre les dommages pouvant en résulter.

⚠ AVERTISSEMENT :

Ne laissez jamais l'aspirateur en marche sans surveillance.

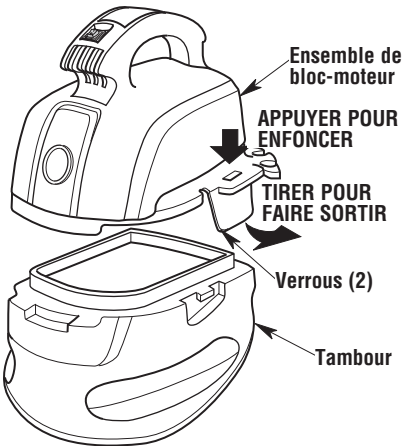


Fonctionnement (suite)

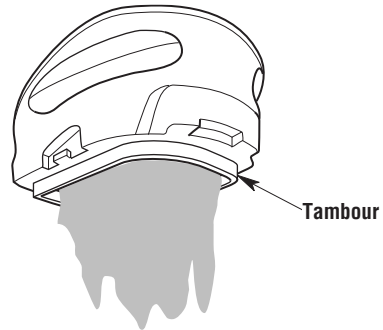
Vidage du tambour à poussière

AVERTISSEMENT :

Pour réduire le risque de blessure pouvant être causée par une mise en marche accidentelle, débranchez le cordon d'alimentation avant de vider le tambour.



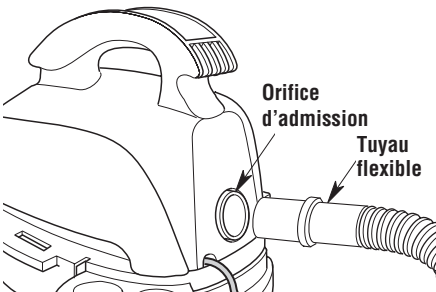
1. Placer l'aspirateur à plat sur une surface stable telle que le sol, le plancher, un banc, etc.
2. Retirer l'ensemble de tête du moteur de l'aspirateur de liquides et de poussières en tirant vers l'extérieur les mécanismes de verrouillage situés de chaque côté de l'aspirateur. Soulevez l'ensemble de tête du moteur.
3. Versez le contenu du tambour à poussière dans une poubelle appropriée.



Soufflerie

Votre aspirateur est muni d'une fonction de soufflerie; cela veut dire qu'il est capable de disperser la sciure de bois et d'autres débris. Il est excellent pour disperser la poussière et les débris hors d'un garage, d'une cour ou d'une allée. Suivez la procédure indiquée ci-dessous pour utiliser l'aspirateur comme une soufflerie.

1. Localisez l'orifice de soufflerie de votre aspirateur, qui est situé à l'arrière de l'ensemble de bloc-moteur.
2. Insérer une extrémité du tuyau flexible de 1,22 mètre (4 pi) x 3,2 cm (1,25 po) dans l'orifice de soufflerie.
3. Mettre l'aspirateur en MARCHÉ – l'aspirateur peut désormais être utilisé comme une soufflerie.



AVERTISSEMENT :

Il faut toujours porter des lunettes de protection conformes à la norme ANSI Z87.1 (ou, au Canada, ACNOR Z94.3) avant de se servir de l'aspirateur comme une soufflerie.

AVERTISSEMENT :

Pour ne pas risquer de causer des blessures à d'autres personnes, il est recommandé de leur demander de rester à distance suffisante des débris soufflés.

MISE EN GARDE :

Portez un masque anti-poussière si votre soufflage crée de la poussière qui pourrait être aspirée.

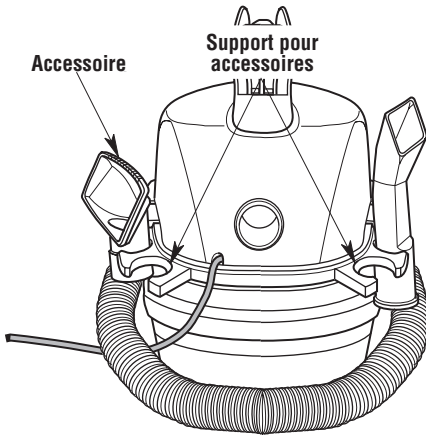
MISE EN GARDE :

Pour réduire le risque d'endommagement de l'ouïe, portez des protecteurs d'oreilles quand vous utilisez l'aspirateur/la soufflante pendant de longues périodes ou quand vous l'utilisez dans un environnement bruyant.

Instructions pour le rangement des accessoires

Rangement des accessoires

Un rangement est fourni pour les accessoires à l'arrière de l'appareil. Fixez l'accessoire dans le support depuis le côté, tel que cela est illustré.



Rangement du tuyau

Il y a des encastremets de chaque côté du tambour pour permettre d'y ranger le tuyau.

⚠ MISE EN GARDE :

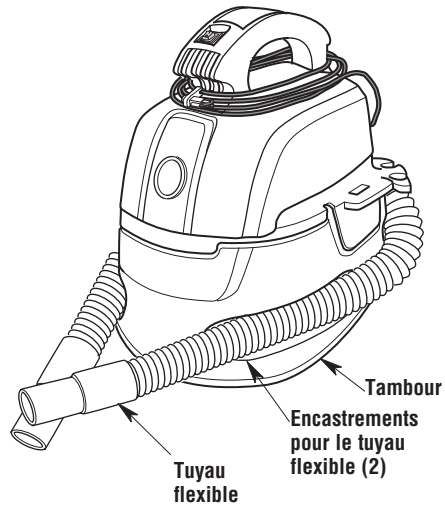
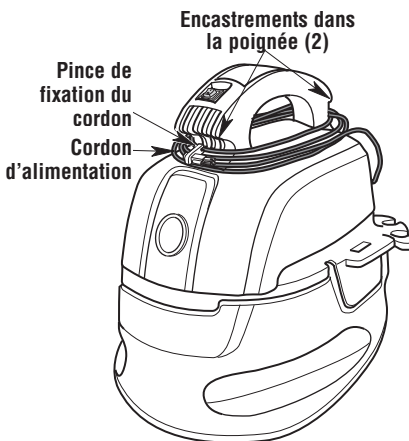
N'utilisez pas l'aspirateur pendant que le tuyau flexible est toujours enroulé autour de l'ensemble de bloc-moteur dans la position de rangement.

⚠ AVERTISSEMENT :

Ne mettez aucun objet dans les orifices de ventilation. N'aspirez pas quand de quelconques orifices de ventilation sont obstrués; assurez-vous que ces orifices ne sont pas bloqués par de la poussière, de la peluche, des cheveux ou de quelconques objets pouvant réduire la circulation de l'air.

Rangement du cordon d'alimentation

1. Votre aspirateur de liquides et de poussières est muni d'un système pratique pour ranger le cordon d'alimentation lorsque l'aspirateur n'est pas utilisé.
2. Enroulez le cordon d'alimentation autour des encastremets de la poignée et attachez la pince de fixation du cordon au cordon en faisant pression dessus comme illustré.



Entretien

Sac filtrant

⚠ AVERTISSEMENT :

Pour réduire le risque de blessure pouvant être causée par une mise en marche accidentelle, débranchez le cordon d'alimentation avant de changer le sac filtrant ou de le nettoyer.

Votre sac filtrant doit être nettoyé souvent afin de maintenir la performance maximale de votre aspirateur.

REMARQUE : Le sac filtrant est fait d'un matériau de haute qualité conçu pour arrêter de petites particules de poussière. Lorsque vous retirez un sac filtrant pour le nettoyer, ou lorsque vous installez un sac filtrant de rechange, manipulez toujours ce sac filtrant avec soin. Si vous avez l'intention de réutiliser un sac filtrant, ne l'arrachez jamais pendant son retrait ou pendant sa mise en place.

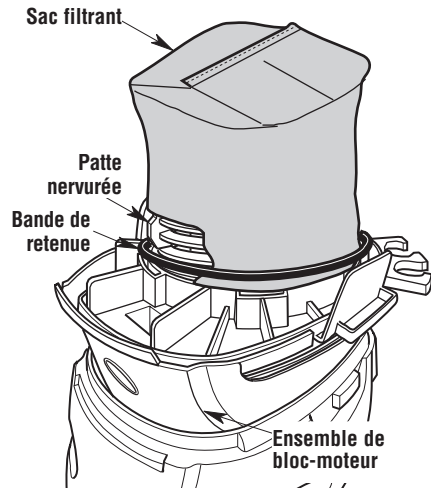
Sac filtrant facile à remplacer

1. Retirez l'élastique de retenue et le sac filtrant de la cage du filtre.
2. Placez le sac filtrant de rechange sur la cage de filtre jusqu'à ce que le bout ouvert entre en contact avec le fond de l'ensemble de bloc-moteur.
3. Installez l'élastique de retenue autour du sac filtrant, en le plaçant au-dessus des languettes nervurées sur la cage du filtre.

IMPORTANT : Pour éviter d'endommager la roue de la soufflerie et le moteur, remettez toujours le sac filtrant en place avant d'aspirer des matériaux solides.

Mettez le sac filtrant sale au-dessus d'une poubelle et brossez-le doucement pour enlever les petites particules de poussière qui peuvent adhérer au sac filtrant.

IMPORTANT : Après avoir nettoyé le sac filtrant, vérifiez qu'il ne présente pas de déchirures ou de petits trous. Si vous détectez des trous ou des déchirures, n'utilisez pas le sac filtrant. Même un trou de petite taille peut laisser beaucoup de poussière s'échapper de votre aspirateur. Remplacez le sac filtrant immédiatement.



Installation du sac filtrant

Avant d'installer le sac filtrant sur l'aspirateur, nettoyez la zone de l'ensemble de bloc-moteur de sorte que la bande de retenue élastique scelle le sac filtrant contre l'ensemble de bloc-moteur et empêche les petites particules de contourner le sac filtrant.

Si le sac filtrant est propre et non endommagé, remettez-le en place sur la cage à filtre. S'il ne peut pas être réutilisé, placez un nouveau sac filtrant sur la cage à filtre.

Remettez l'élastique de retenue autour du sac filtrant. Veillez à ce que l'élastique de retenue soit positionné sur le sac filtrant et à ce que le sac filtrant recouvre complètement la cage à filtre. De plus, veillez à ce que les rebords du sac filtrant soient tout à fait assujettis par l'élastique de retenue.

REMARQUE : Nettoyez le sac filtrant dans un espace ouvert. Un tel nettoyage doit être effectué à l'extérieur, et non pas à l'intérieur d'un bâtiment.

⚠ AVERTISSEMENT :

Ne faites pas fonctionner sans la cage du filtre et le flotteur étant donné qu'ils empêchent l'entrée de liquide dans la roue et protègent ainsi le moteur contre les dommages pouvant en résulter. La cage empêche les doigts d'entrer en contact avec le rotor quand il est en train de tourner.

Entretien (suite)

Nettoyage

Pour conserver l'esthétique optimale de votre aspirateur de poussières et de liquides, nettoyez la surface extérieure de l'aspirateur à l'aide d'un chiffon imbibé d'eau tiède savonneuse.

Procédure de nettoyage du tambour :

1. Vider les débris.
2. Nettoyez soigneusement le tambour à poussière à l'aide d'un savon doux et d'eau tiède.
3. Essuyer avec un chiffon sec.

Rangement

Vous devez vider et nettoyer le tambour à poussière avant de ranger votre aspirateur. Le cordon d'alimentation doit ensuite être enroulé autour de l'appareil et le tuyau doit être rangé de la façon décrite dans la section de ce mode d'emploi relative au rangement du cordon et du tuyau. Les accessoires doivent être rangés à proximité de l'aspirateur de façon à pouvoir les trouver facilement. L'aspirateur doit être rangé à l'intérieur d'un bâtiment.

Le cordon d'alimentation ne peut pas être remplacé. Si le cordon est endommagé, il faut détruire l'aspirateur et le remplacer.

Localisation de la cause des problèmes

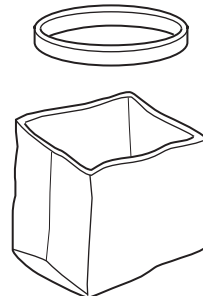
Problème	Cause	Solution
L'aspirateur n'aspire pas les déchets.	<ol style="list-style-type: none">1. Sac filtrant bouché2. Tuyau obturé3. Fuite d'air	<ol style="list-style-type: none">1. Nettoyez le sac filtrant ou remplacez-le (en suivant les instructions de la page 34).2. Retirez le tuyau et enlevez les débris.3. Veillez à ce que la tête du moteur soit fermement assujettie au tambour à poussière.
L'aspirateur ne fonctionne pas.	<ol style="list-style-type: none">1. Pas d'électricité	<ol style="list-style-type: none">1. Veillez à ce que la prise de courant soit sous tension (vous devrez peut-être faire appel à un électricien qualifié).

⚠ AVERTISSEMENT :

Au cas où les éléments de l'ensemble de tête du moteur seraient endommagés ou se détacheraient, exposant ainsi des éléments du moteur ou des composants électriques, vous devez cesser immédiatement d'utiliser l'aspirateur afin de réduire le risque de blessures personnelles ou d'endommagement supplémentaire de l'aspirateur. Cet aspirateur ne contient pas de composants pouvant être réparés par l'utilisateur.

Sac filtrant de rechange

Vous pouvez vous procurer des sacs filtrants de rechange dans le magasin où vous avez acheté votre aspirateur. Le numéro de catalogue de ces sacs filtrants est VF2000.





ASPIRATEUR DE LIQUIDES ET DE POUSSIÈRES 2,5 GAL/9,5 LITRES

Numéro du modèle : HD20250

Garantie d'un an

La présente garantie limitée est offerte par Emerson Tool Company, une division d'Emerson Electric Co., établie à l'adresse ci-dessous (« ETC » ou « nous » ou « notre » ou « nos »), et elle s'applique à nos aspirateurs à déchets secs/humides de la marque STINGER (collectivement, le « Produit STINGER™ »).

En cas de questions, ou si vous avez besoin d'assistance au sujet de la garantie de votre Produit STINGER, veuillez contacter le Département du service à la clientèle d'ETC pour le Produit STINGER au numéro de téléphone gratuit ou à l'adresse postale figurant ci-dessous.

Garantie limitée du Produit STINGER™

ETC, société établie au 8100 W Florissant Ave., St. Louis, MO 63136, offre la garantie limitée suivante à l'acheteur d'origine seulement (« vous » ou « votre » ou « vos ») sous réserve des exclusions décrites ci-dessous : votre Produit STINGER ne comporte aucun défaut de matériau ou de fabrication susceptible de survenir dans des conditions normales d'utilisation conformément aux dispositions du Mode d'emploi accompagnant le Produit STINGER pendant une période d'un (1) an à compter de la date originale d'achat (la « Période de garantie »). La présente Garantie limitée prendra fin si l'acheteur d'origine cède le Produit STINGER à une autre personne physique ou morale.

Ce qui n'est pas couvert – Exclusions de la garantie

La présente garantie limitée ne couvre pas et exclut spécifiquement ce qui suit :

- Usure normale et/ou remplacement de compléments ou d'accessoires, y compris, sans toutefois s'y limiter, les cordons d'alimentation, les tuyaux flexibles et autres compléments ou accessoires pouvant être proposés à la vente en vue d'emploi avec le Produit STINGER.
- Endommagement ou détérioration du moteur du Produit STINGER résultant de la non-élimination d'un blocage survenu pendant son emploi normal.
- Perte ou endommagement du Produit STINGER résultant de conditions au-delà du contrôle d'ETC, y compris, sans toutefois s'y limiter, une utilisation inappropriée ou abusive, un accident, de la négligence, l'absence d'entretien normal (sauf du fait d'ETC), une utilisation excessive au-delà de la capacité nominale indiquée dans le Mode d'emploi, ou des modifications ou altérations effectuées par quiconque autre qu'ETC.
- Perte ou endommagement du Produit STINGER résultant de l'utilisation du Produit STINGER d'une manière non conforme aux instructions écrites, aux directives et aux conditions et modalités énoncées dans le Mode d'emploi.

Notification en liaison avec la garantie limitée et procédures à suivre pour se prévaloir de la garantie

Si, pendant la Période de garantie qui vous est applicable, vous découvrez que votre Produit STINGER comporte un défaut qui, selon vous, est couvert par la présente garantie, vous devez contacter le Département du service à la clientèle d'ETC pour le Produit STINGER au numéro de téléphone 1-866-994-8759 entre les heures de 8h30 et de 16h30, Heure normale du Centre.

Pour faire valoir la garantie, vous devrez nous fournir une copie de votre reçu d'achat ou une autre preuve d'achat montrant la date de l'achat afin de confirmer que votre réclamation est transmise pendant la Période de garantie et que vous êtes bien l'acheteur d'origine.



EMERSON™

© 2019 Emerson

Pièce N° SP7068

Imprimé N° SP7068

Imprimé au Mexique 02/19