

# SERVICE BULLETIN

**i** This bulletin applies only to units within the affected serial number range that have the described symptom.

**LAWN MOWER #105**  
**APRIL 2015**

## HRX217K5VYA UNINTENTIONAL ROTO-STOP® DISENGAGEMENT

### SYMPTOM

In certain instances, the Roto-Stop® may unintentionally disengage (stopping blade rotation) while mowing.

### AFFECTED UNITS

MODEL	SERIAL NUMBER RANGE
HRX217K5VYA	MAGA-2370001 ~ 2405366



### CORRECTIVE ACTION

The Roto-Stop lever may not fit between the handlebars properly, resulting in side-to-side free play. This allows the lever pin to move to the left and disengage from the lock lever inside the Roto-Stop mechanism.

Follow the repair procedure below to increase the width of the lever on any affected unit with the described symptom.



### PROCEDURE

1. With the engine OFF, move the throttle lever to the FAST position.

Place a piece of duct or electrical tape on the left side of the handlebar directly above the Roto-Stop lever pivot to prevent scratching the handlebar.



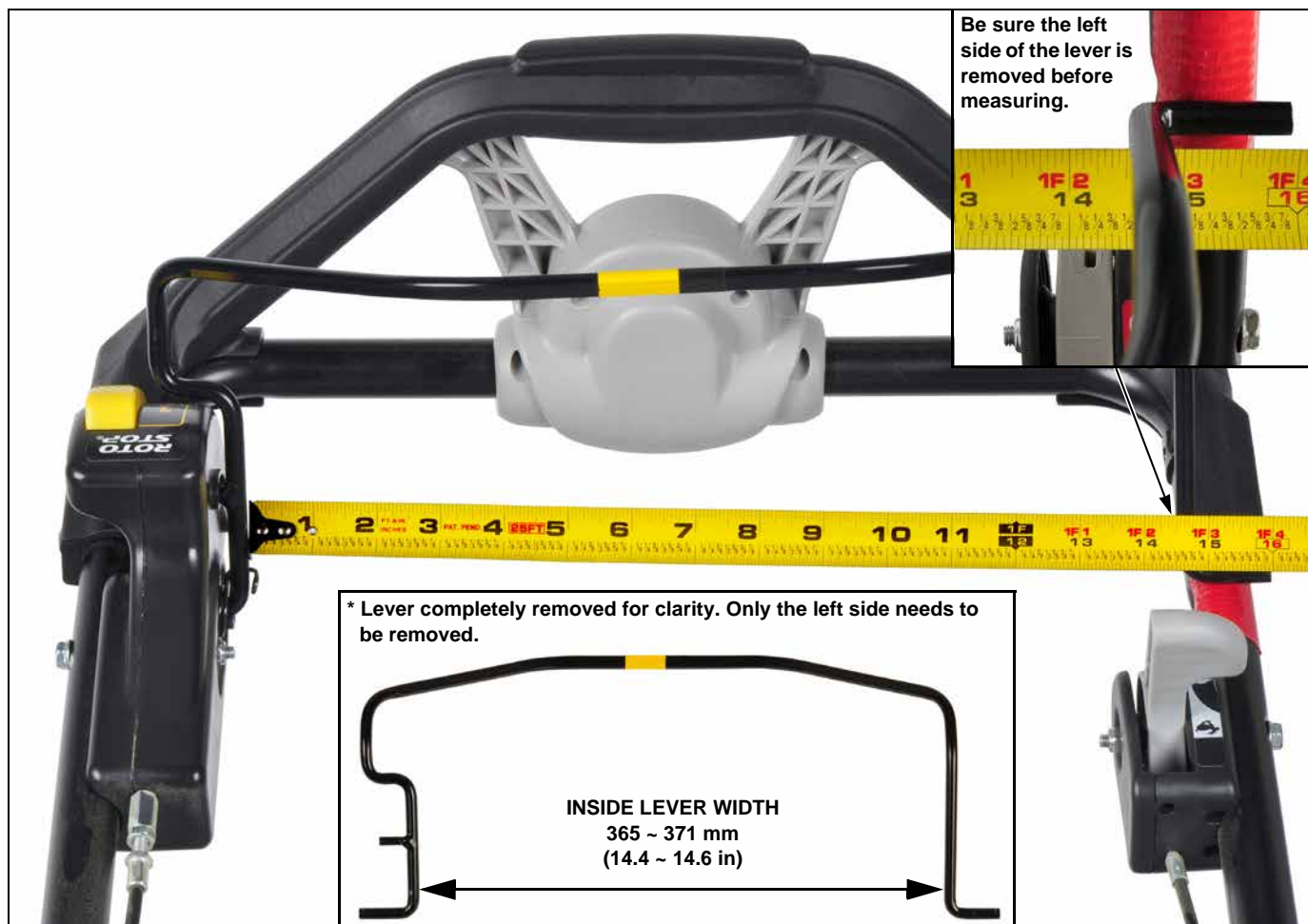
**CONSUMER INFORMATION:** The information in this service bulletin is intended for use only by skilled technicians who have the proper tools, equipment, and training to correctly and safely service and repair your Honda power equipment. These procedures should not be attempted by "do-it-yourselfers," and you should not assume that this bulletin applies to your equipment, or that your equipment has the condition described. To determine whether this information applies, contact an authorized Honda Power Equipment dealer.

2. Remove the left side of the Roto-Stop lever by pulling it out of the handlebar.



3. Hold the right side of the lever against the Roto-Stop control assembly, and then pull on the left side of the lever to widen (bend out) it slightly.

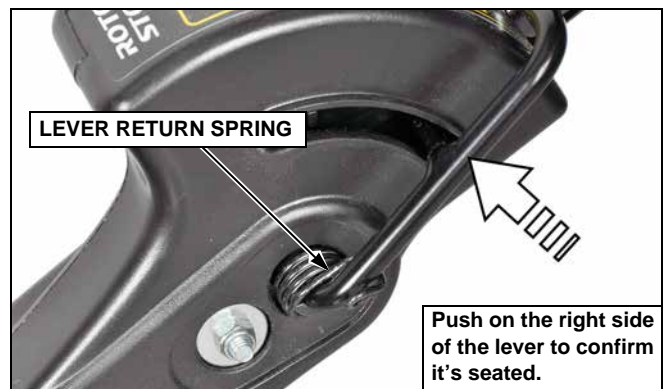
Carefully bend the lever until the width measures 365 ~ 371 mm (14.4 ~ 14.6 in). Do not bend it too far.



- Reinstall the Roto-Stop lever back into the left handlebar pivot hole.



- Push the right side of the lever firmly against the Roto-Stop control to ensure it is fully seated in the control mechanism. Be sure the lever return spring is still properly positioned around the lever.



- Cycle the Roto-Stop lever several times **without** engaging the yellow button to confirm it operates freely, and fully returns when released.



- Remove the protective tape from the handlebar.

- Start the engine, press and hold the yellow Roto-Stop button, and then pull the Roto-Stop lever towards the handlebar. Check the function of the Roto-Stop system several times to ensure consistent operation.



# LAWN MOWER #105

APRIL 2015

## PARTS INFORMATION

No replacement parts are required to complete this repair.

## WARRANTY INFORMATION

### Duration

#### In warranty

The normal warranty applies.

#### Out of warranty

Any repair performed after warranty expiration may be eligible for goodwill consideration. Contact Techline or your District Service Manager. You must request consideration and receive a decision before starting work.

### VIN Information

MODEL	SERIAL NUMBER RANGE
HRX217K5VYA	MAGA-2370001 ~ 2405366

### Processing

Service Bulletin warranty claim submission requirements apply. After completing the Service Bulletin repair procedure, submit one warranty claim per unit with the following information:

AN Dealers:
<ul style="list-style-type: none"><li>• Select <i>Service Bulletin</i> claim type.</li><li>• Enter VIN information.</li><li>• From the <i>Service Bulletin</i> drop down menu, select LM105 (Lawn Mower Service Bulletin #105) for appropriate model and repair.</li></ul>

### All others:

Adjust Roto-Stop lever	
Defect Code:	04900
Labor Operation Number:	810099
Flat Rate Time:	0.2 hr
Failed Part:	75161-VH7-P20ZA