

# ASSEMBLY INSTRUCTIONS

## STRATOS 3 BURNER

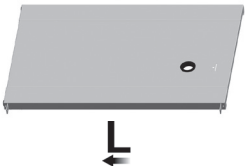
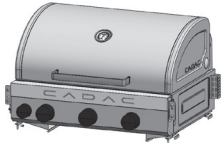

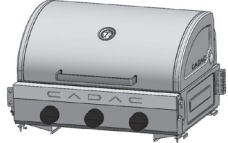

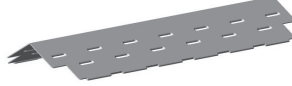
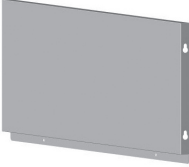
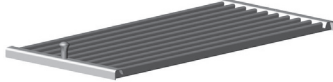

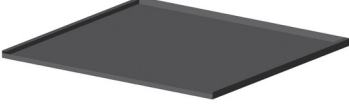

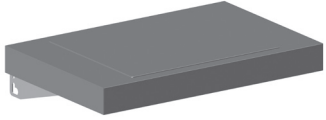
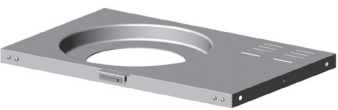
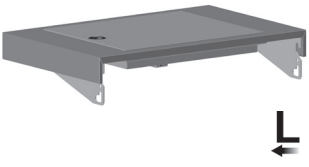
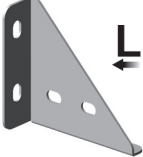
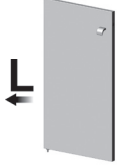
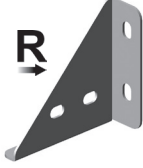




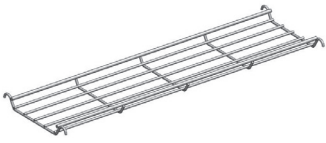
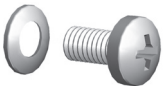
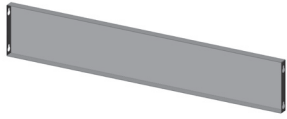
MODEL No's 9873I, 98733

## STRATOS 4 BURNER

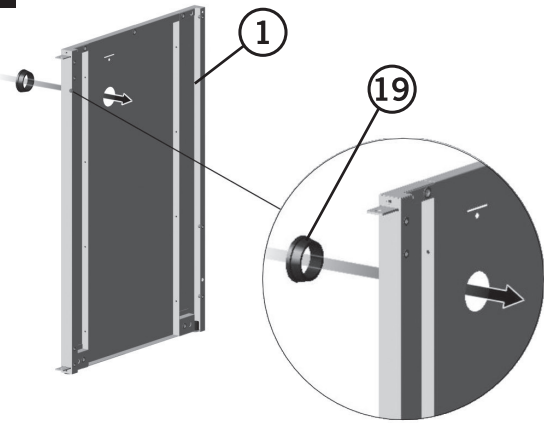
MODEL No's 9874I, 98743



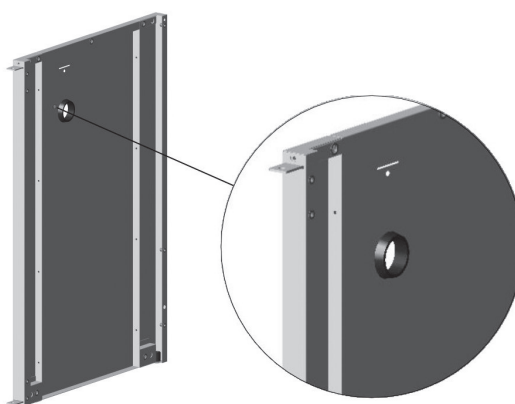
LIVE THE BRAAI LIFE

1		x 1	10		x 1 (98733, 98743)
2		x 4	11		x1 (98731, 98741)
3		x 1	12		x3 (3B) x4 (4B)
4		x 1	13		x3 (3B) x4 (4B)
5		x 1	14		x1
6		x 1	15		x 1 (98733, 98743) x2 (98731, 98741)
7		x 1	16		x1 (98733, 98743)
8		x 1	17		x1
9		x 1	18		x1
A		x 10 (98731, 98741) x 14 (98733, 98743) (M4x12)	19		x1
B		x 4 (M6x12)	20		x1
C		x 6 (M6x12)	21		x1

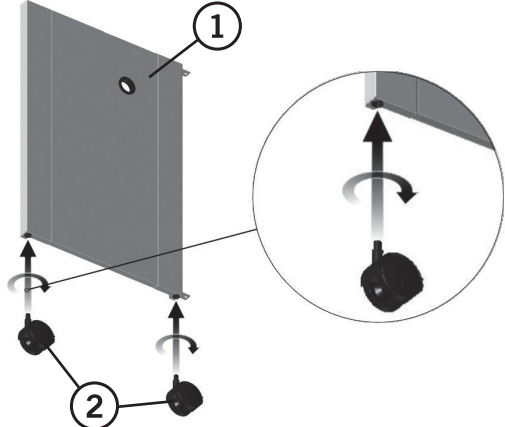
1.1



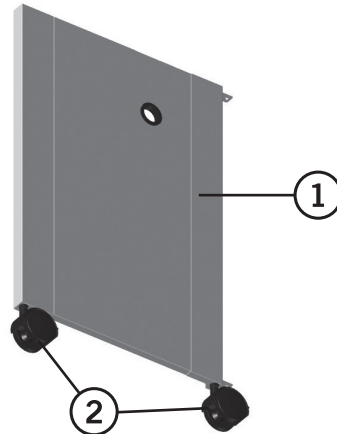
1.2



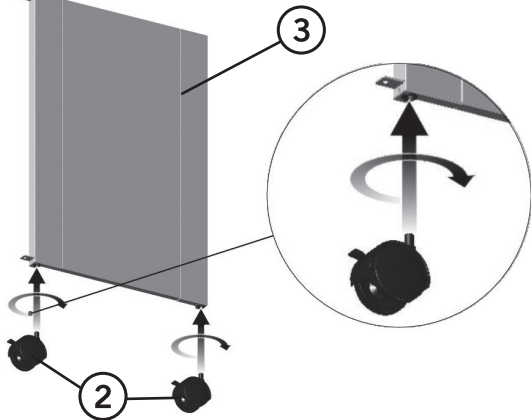
1.1



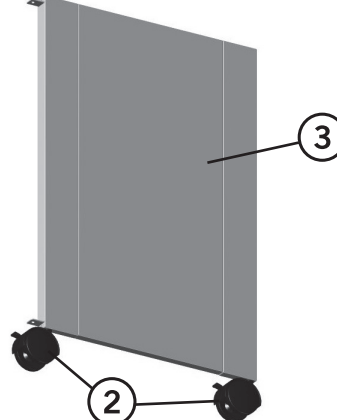
1.2



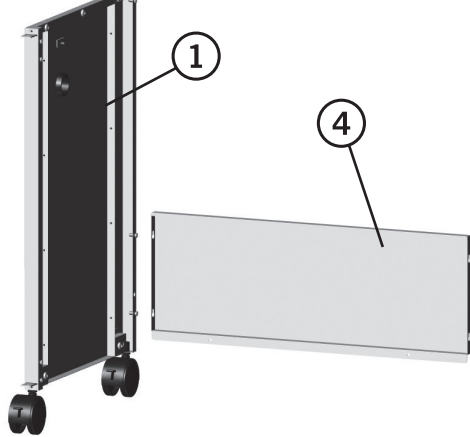
1.3



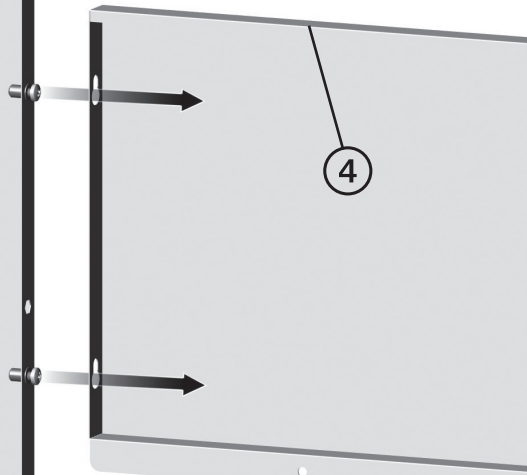
1.4



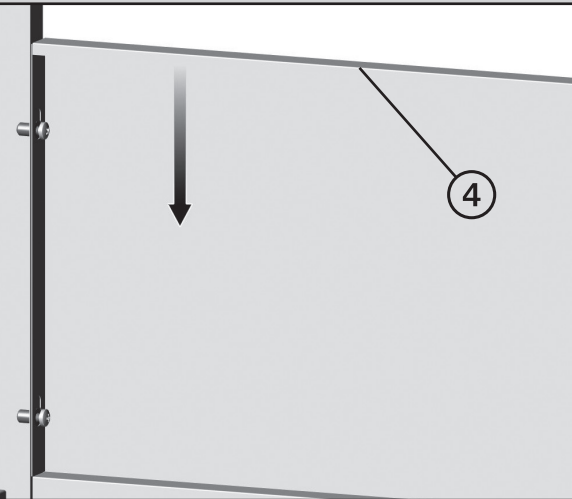
2.1



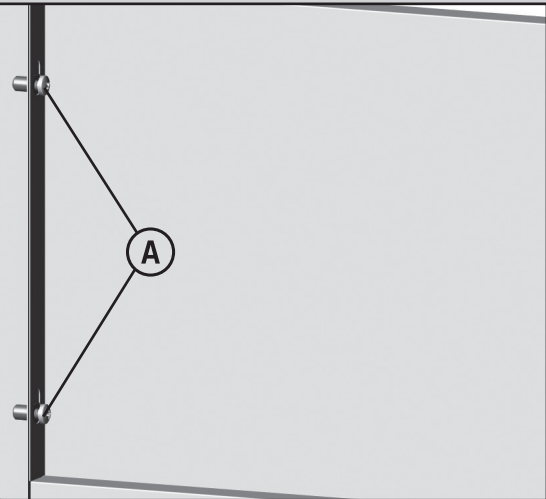
2.2



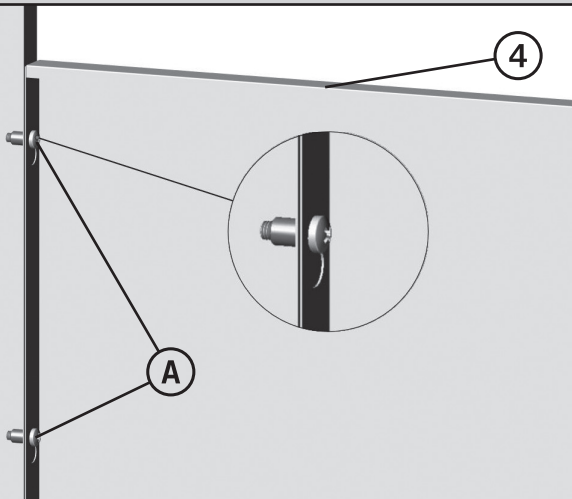
2.3



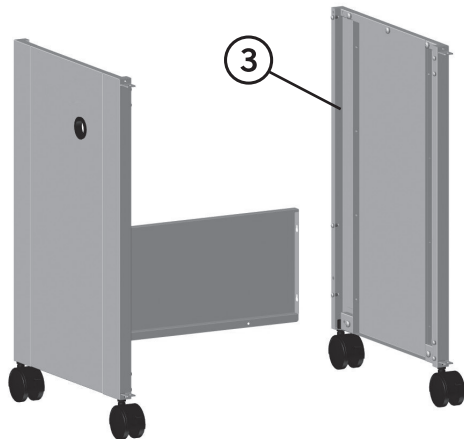
2.4



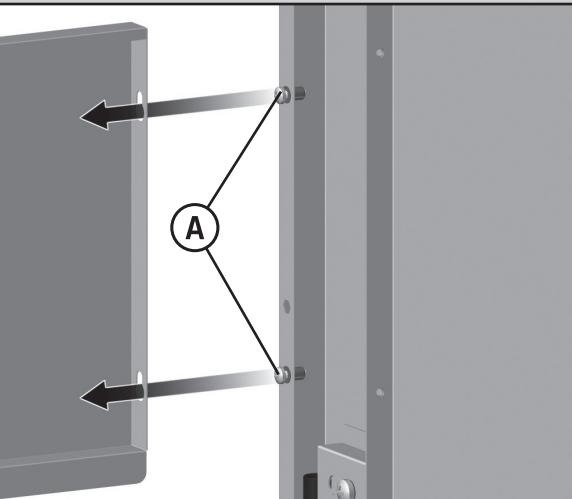
2.5



2.6



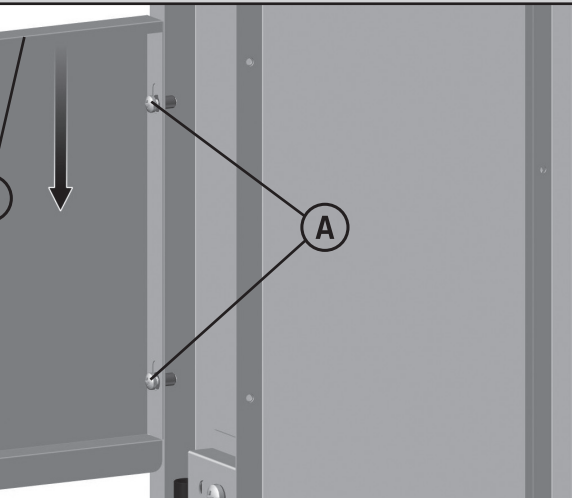
2.7



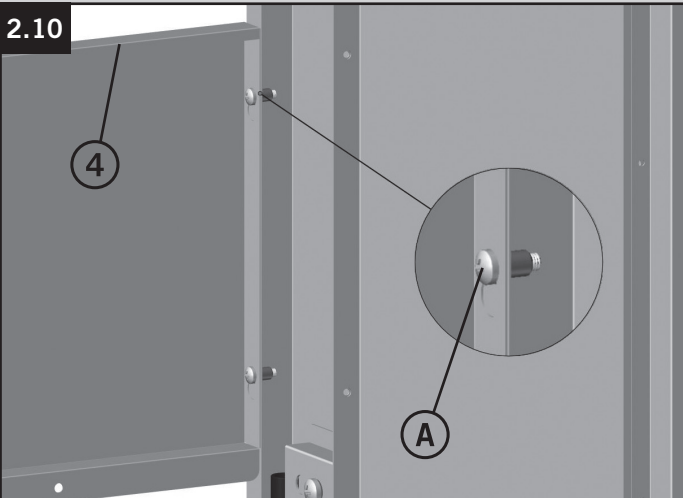
2.8



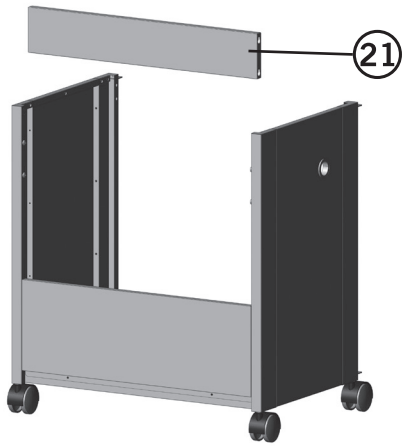
2.9



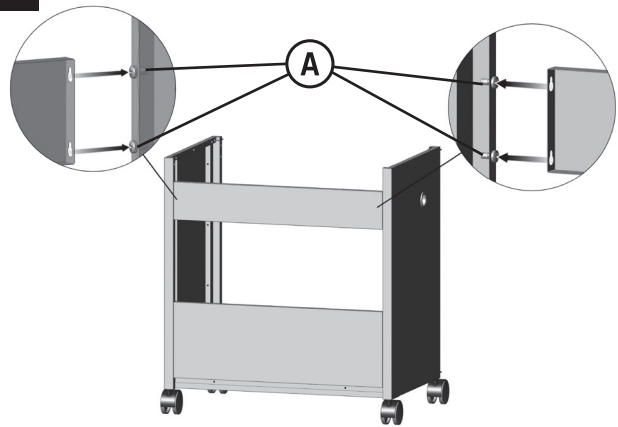
2.10



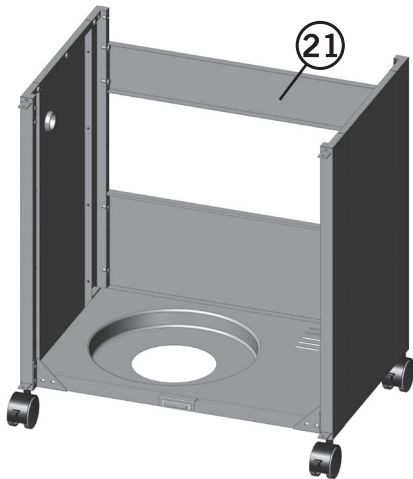
3.1



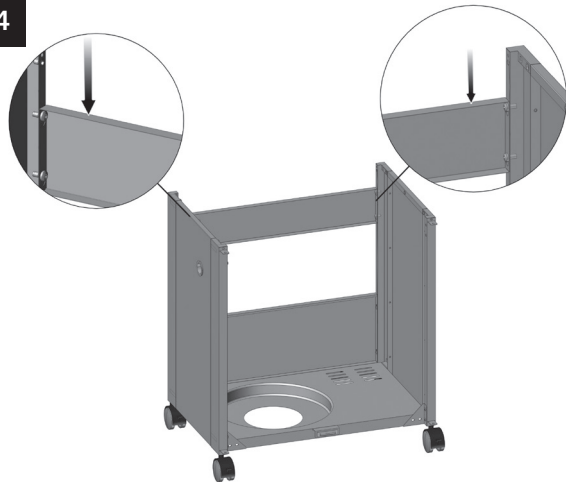
3.2



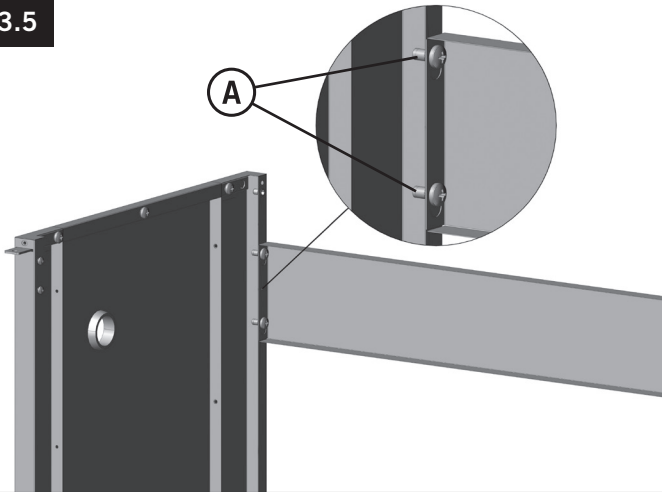
3.3



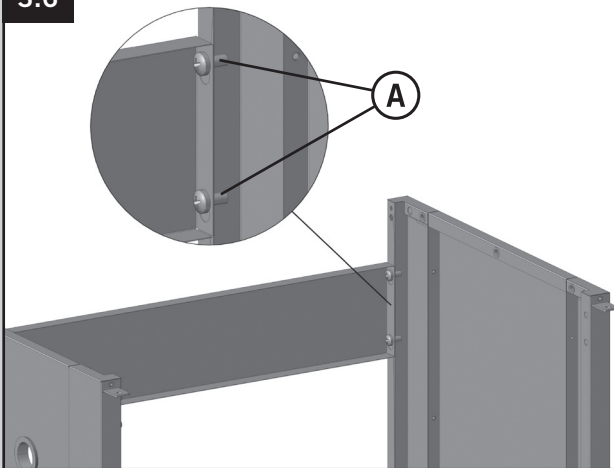
3.4



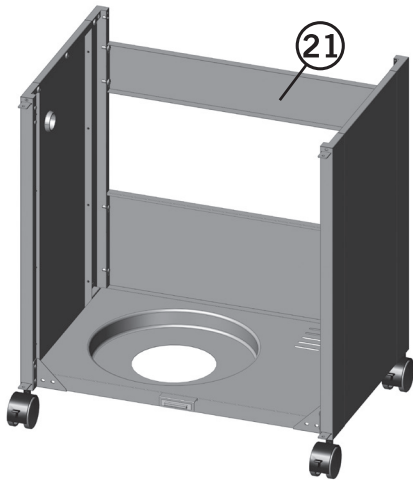
3.5



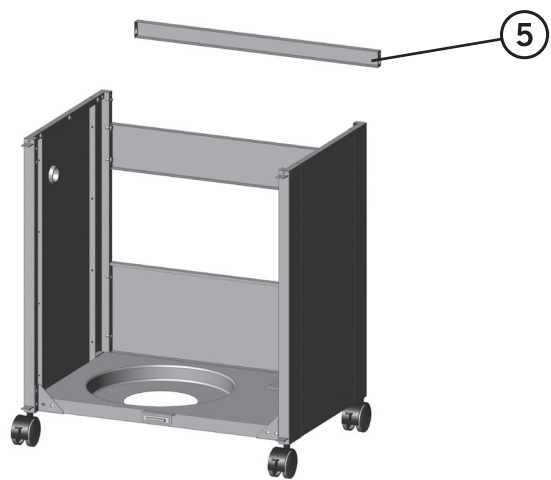
3.6



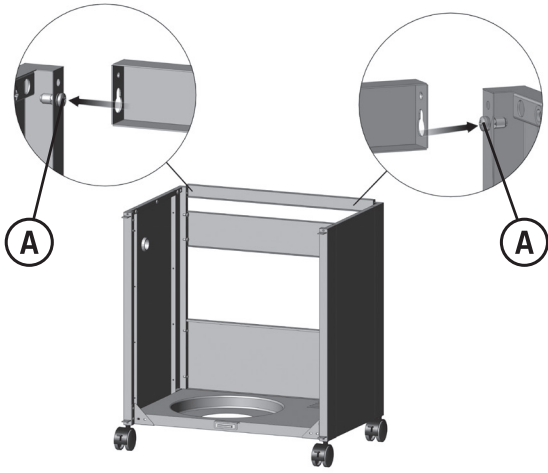
3.7



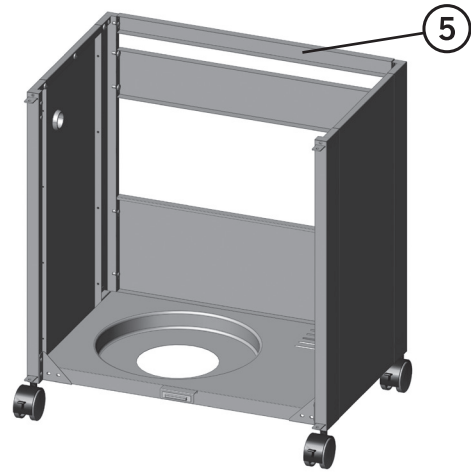
4.1



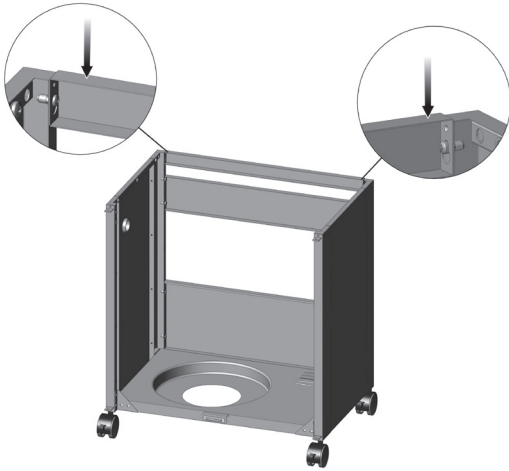
4.2



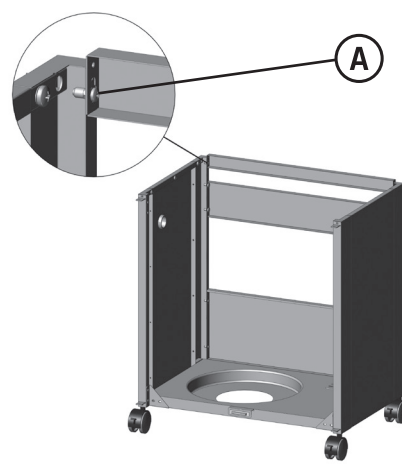
4.3



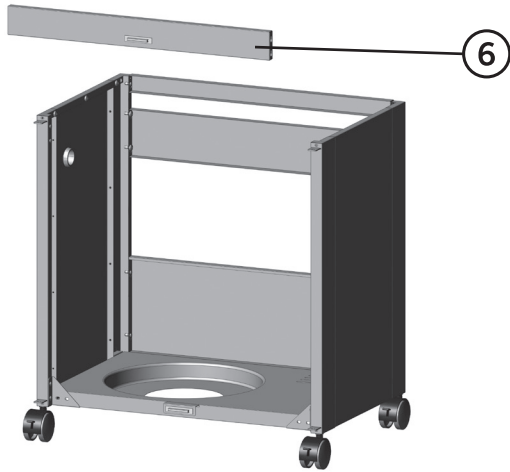
4.4



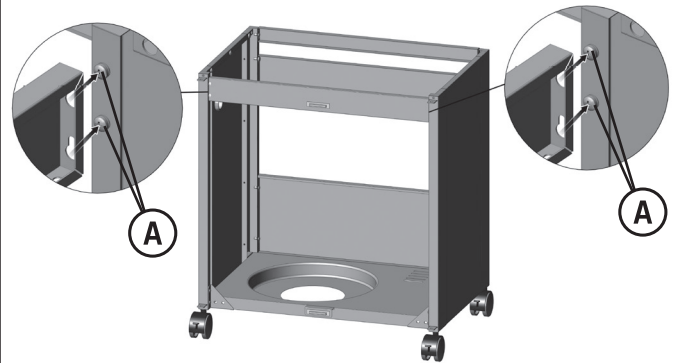
4.5



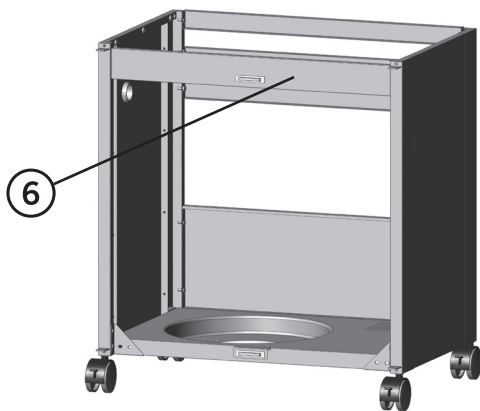
5.1



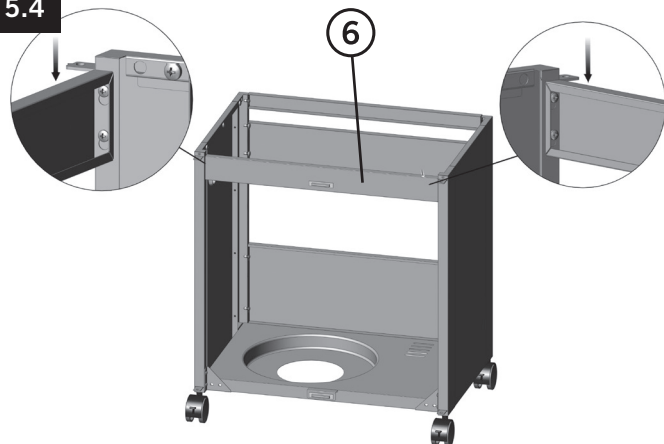
5.2



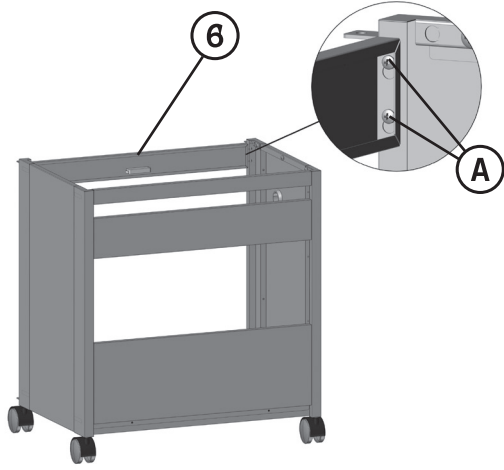
5.3



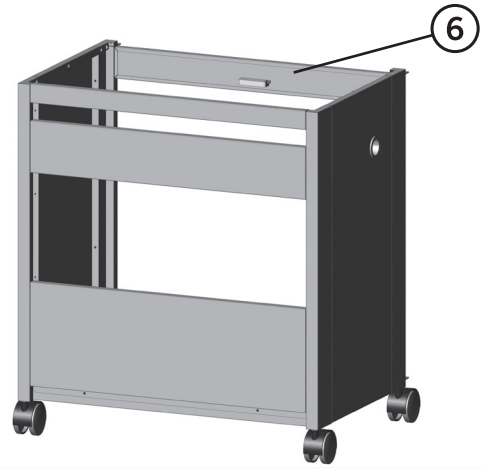
5.4



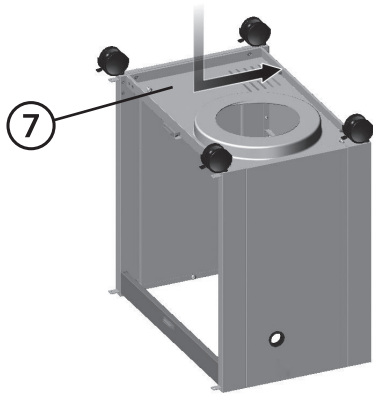
5.5



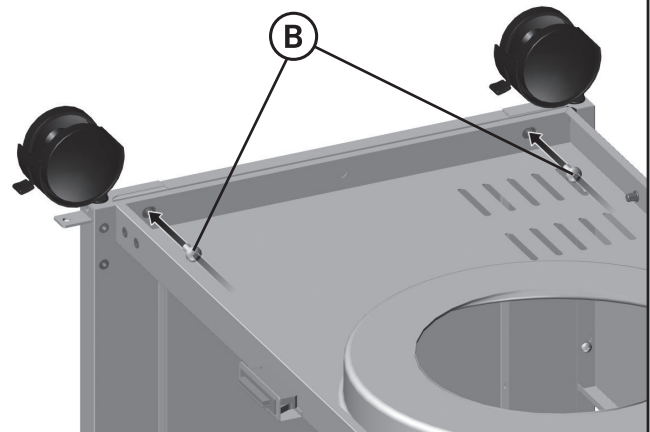
5.6



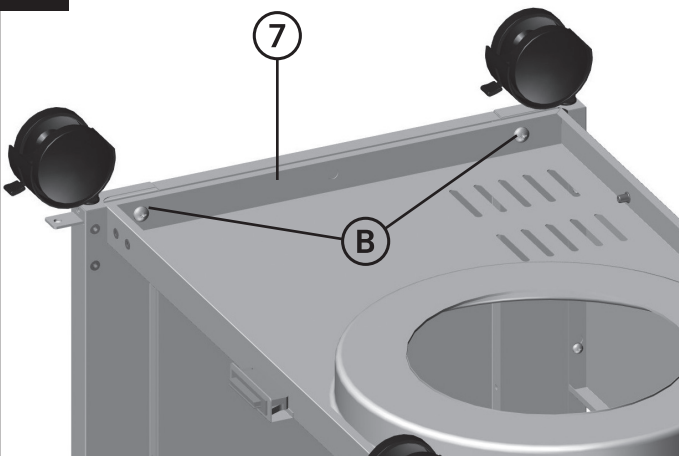
6.1



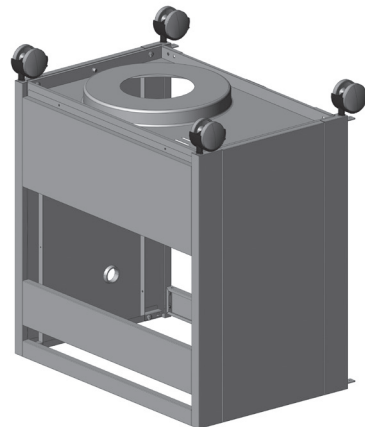
6.2



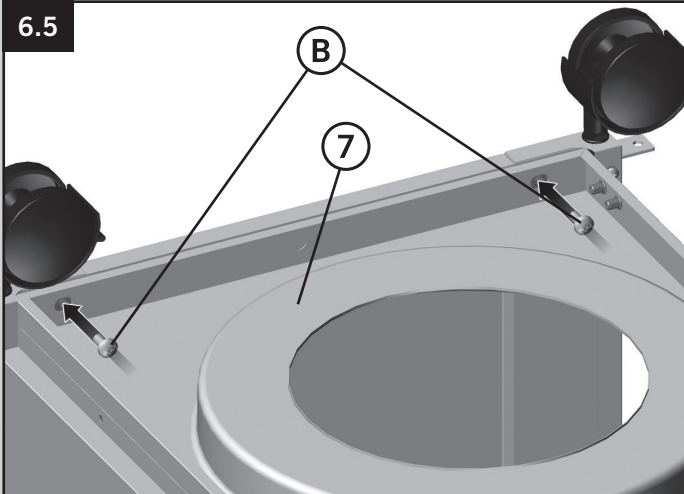
6.3



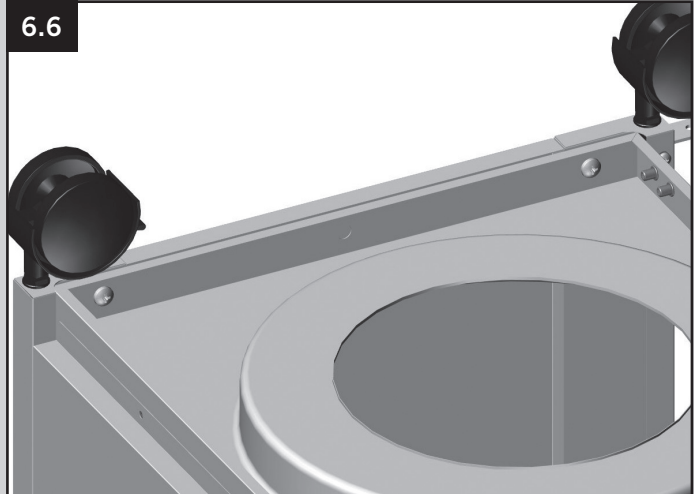
6.4



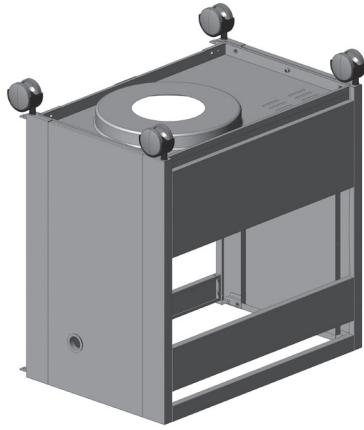
6.5



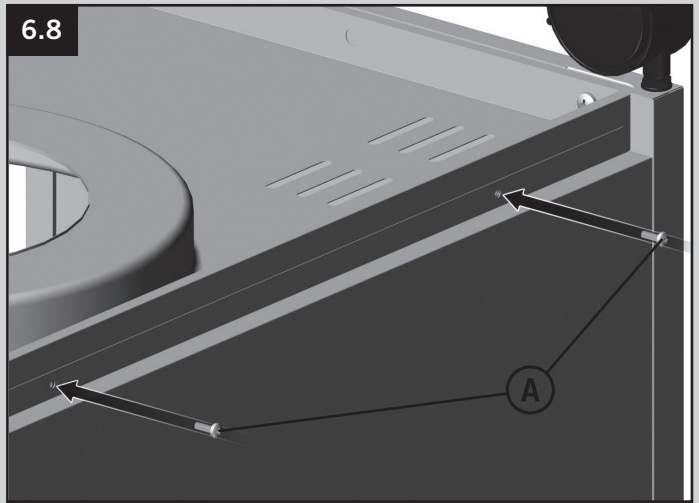
6.6



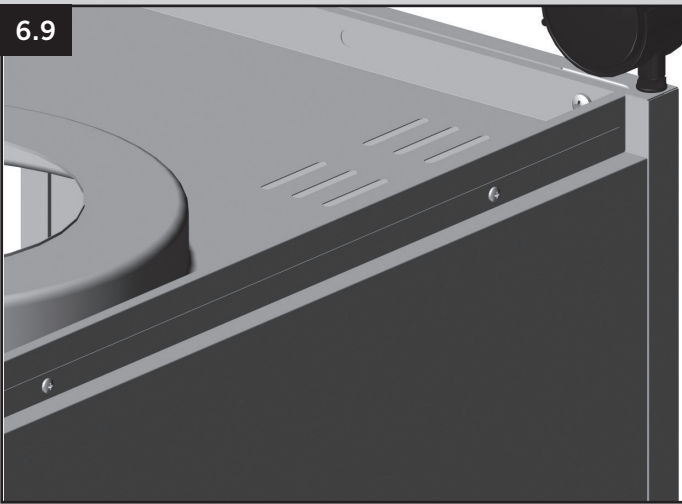
6.7



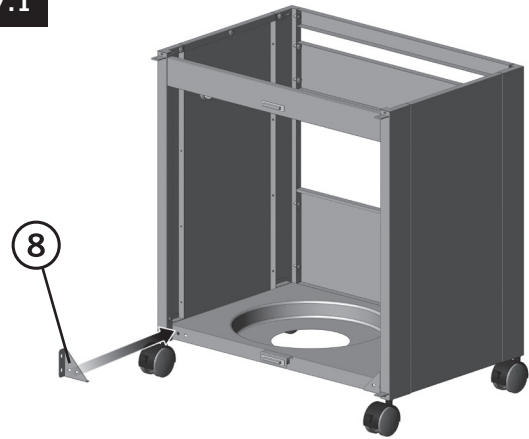
6.8



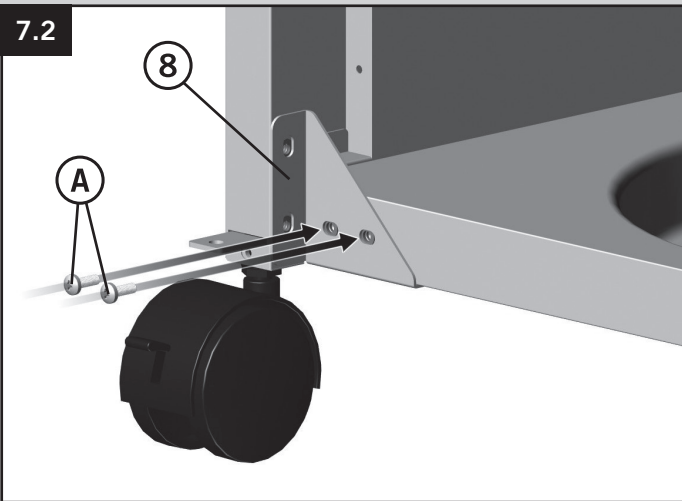
6.9



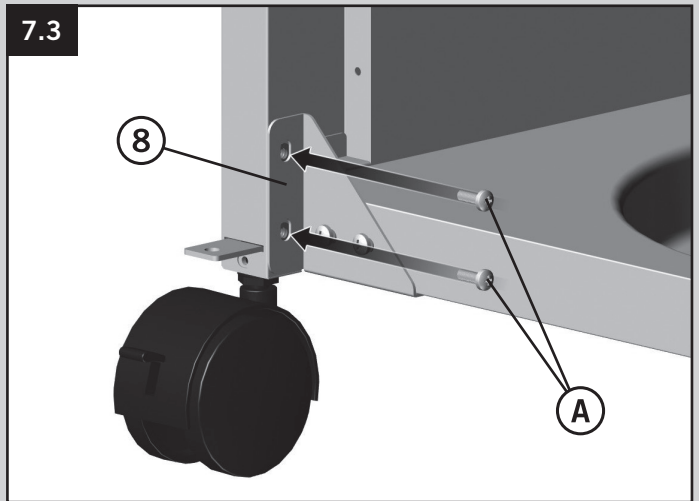
7.1



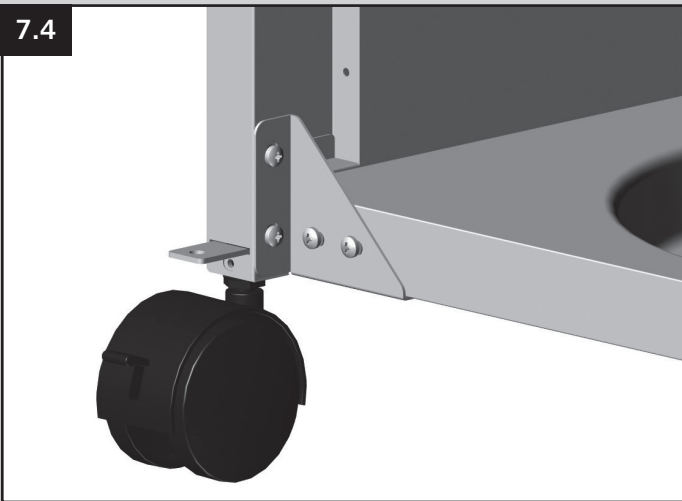
7.2



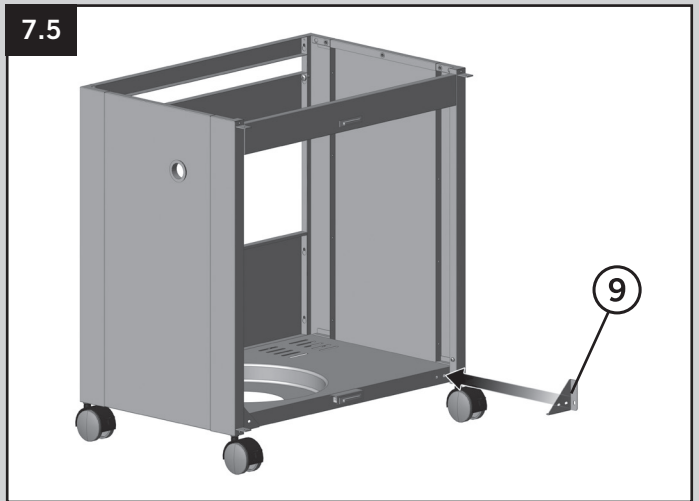
7.3



7.4

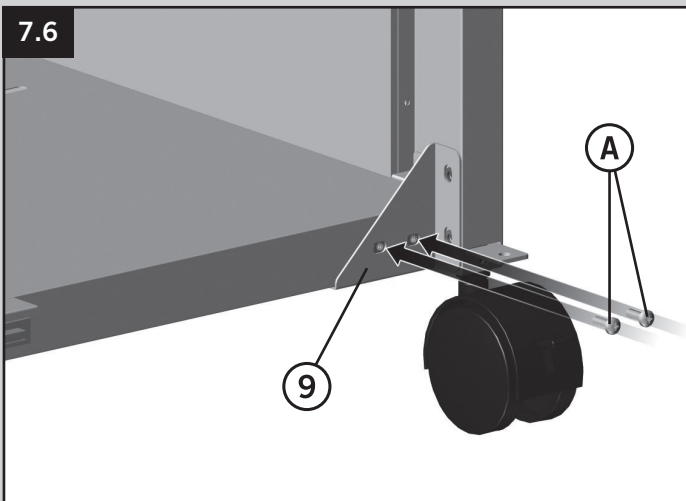


7.5

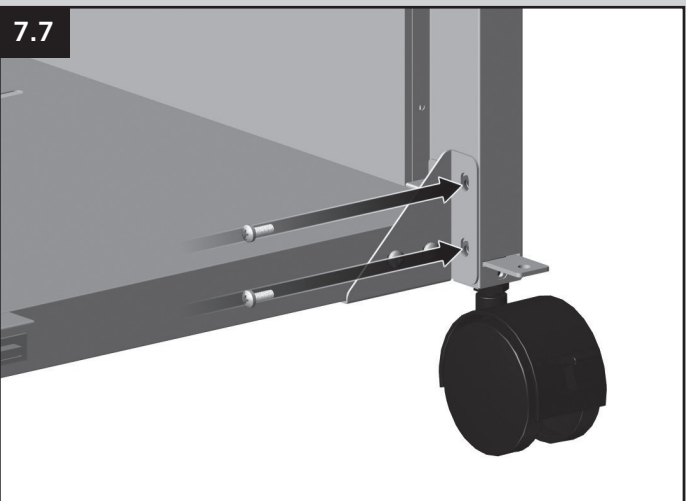




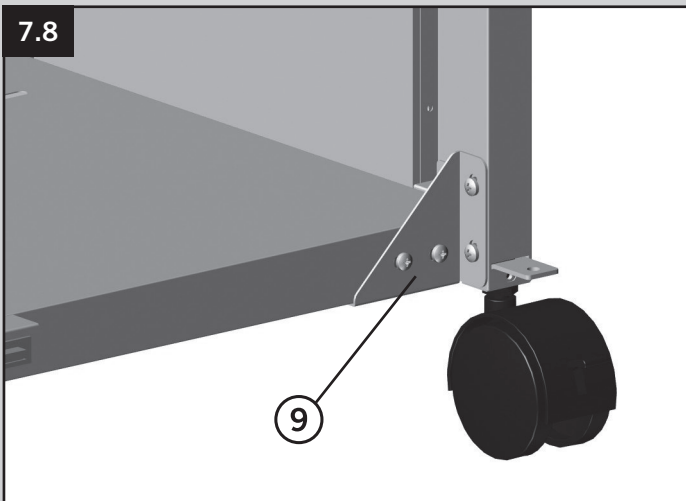
7.6



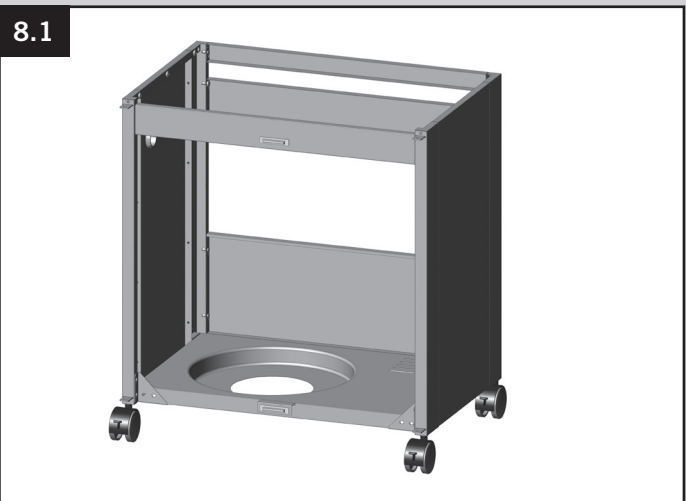
7.7



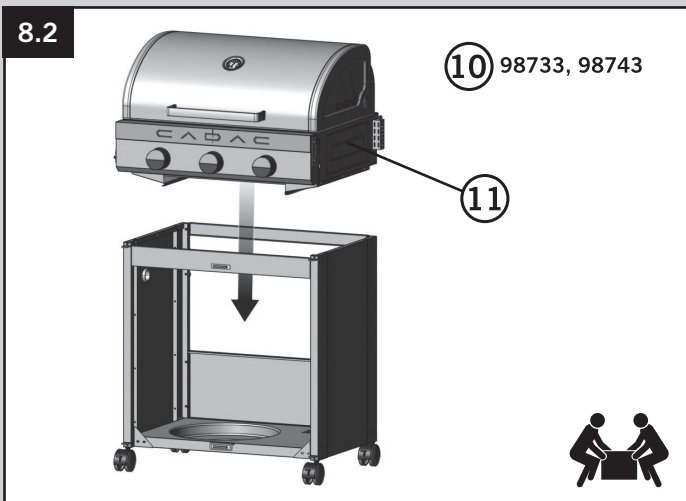
7.8



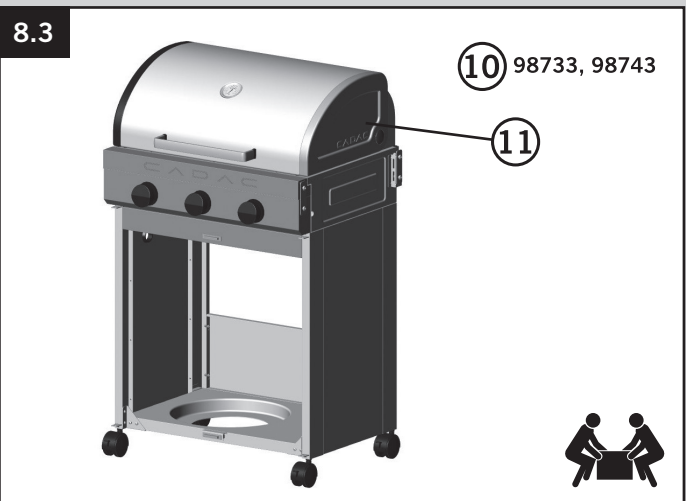
8.1



8.2



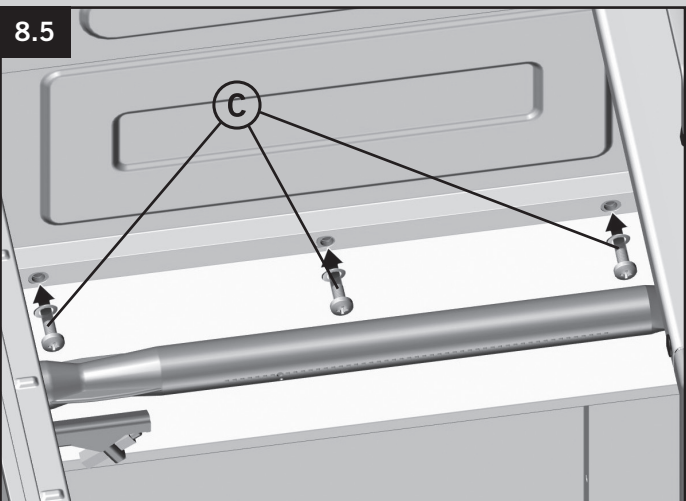
8.3



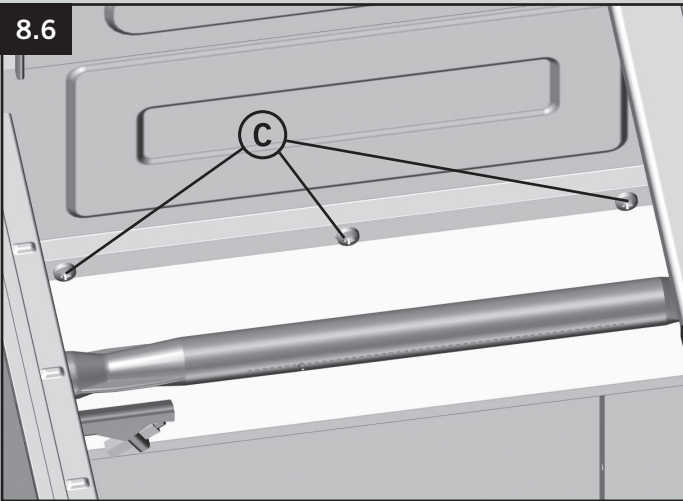
8.4



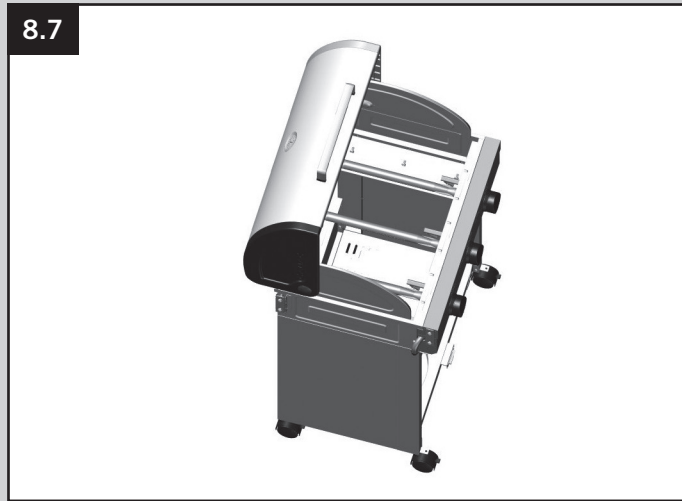
8.5



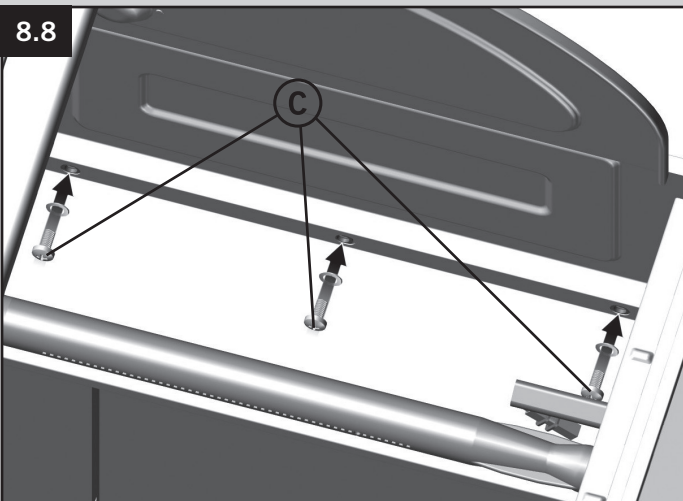
8.6



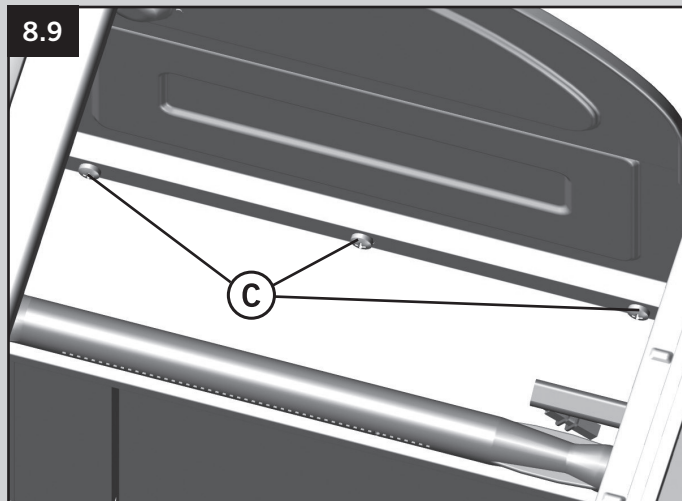
8.7



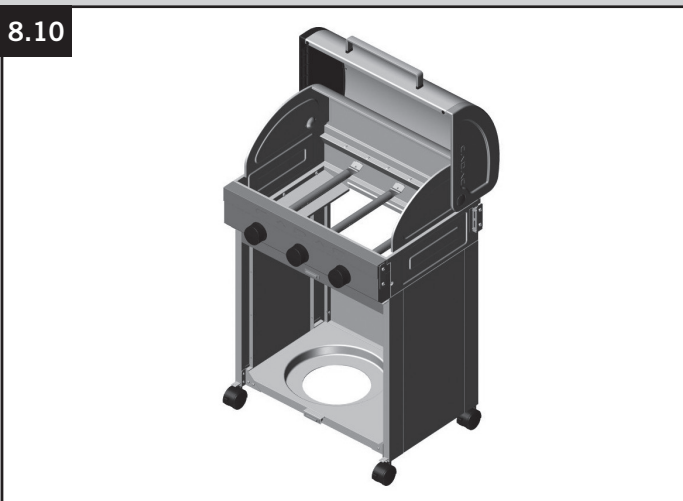
8.8



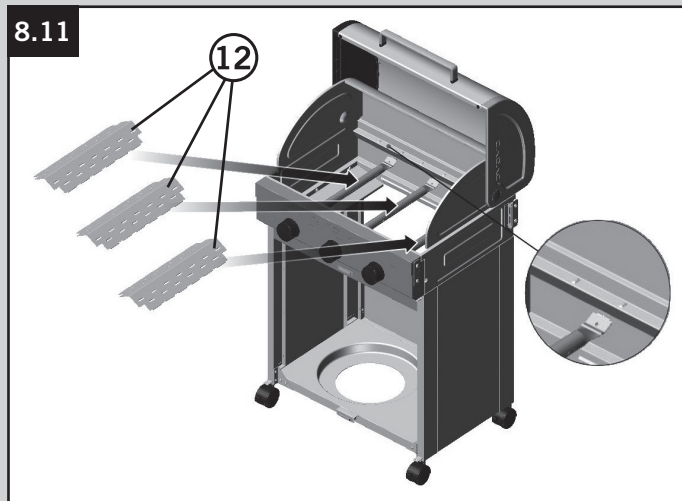
8.9



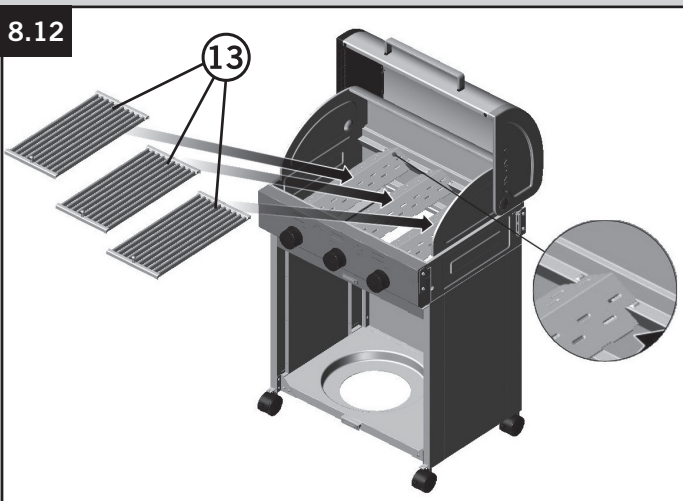
8.10



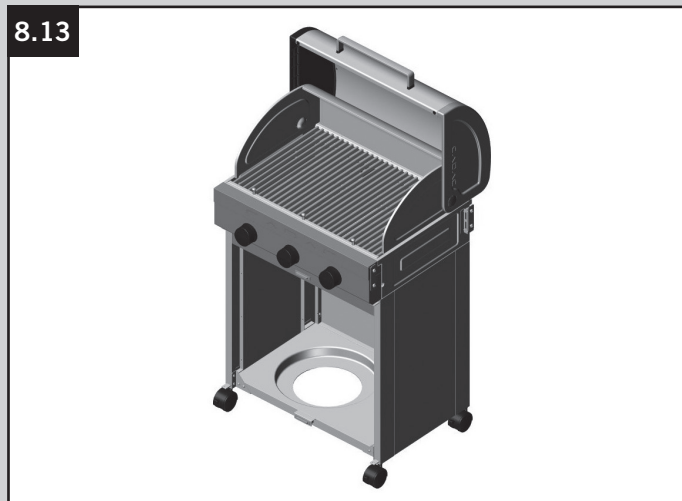
8.11



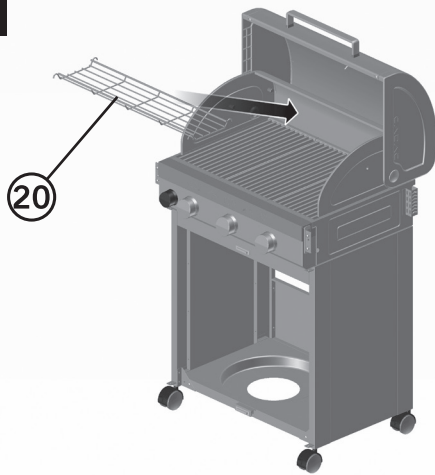
8.12



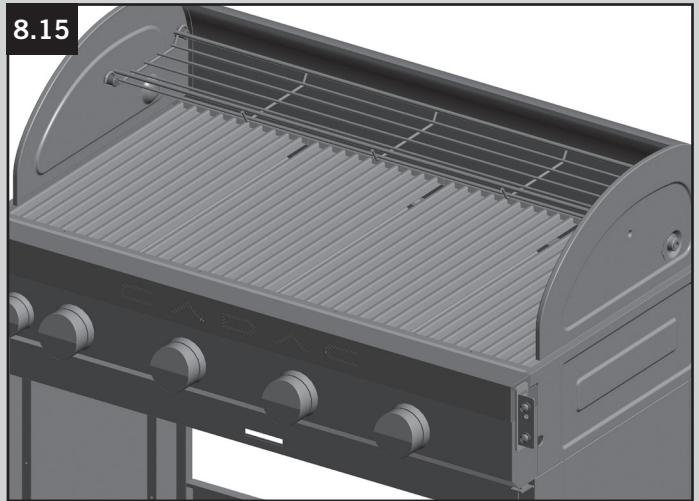
8.13



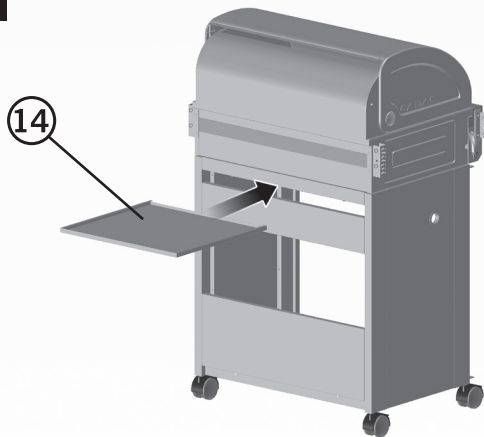
8.14



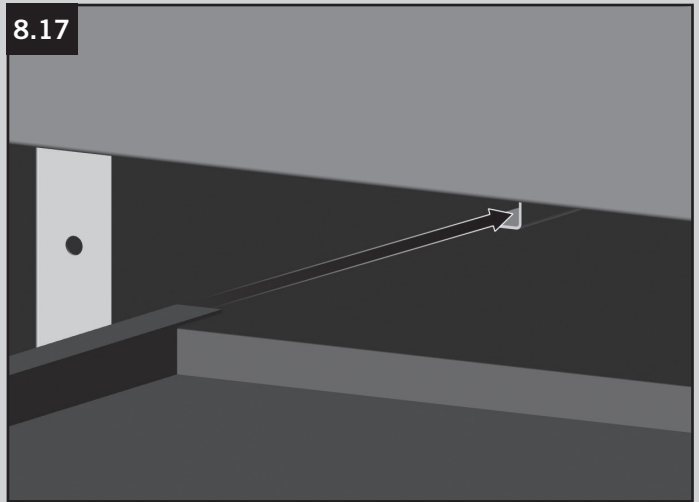
8.15



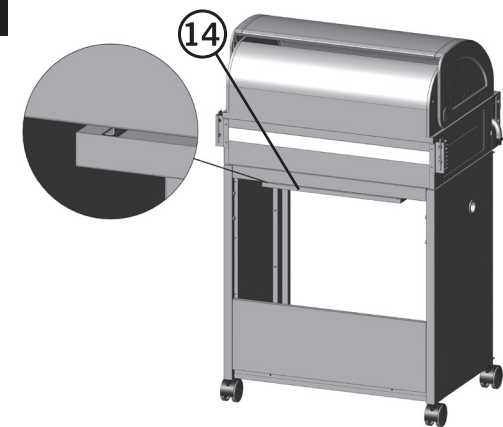
8.16



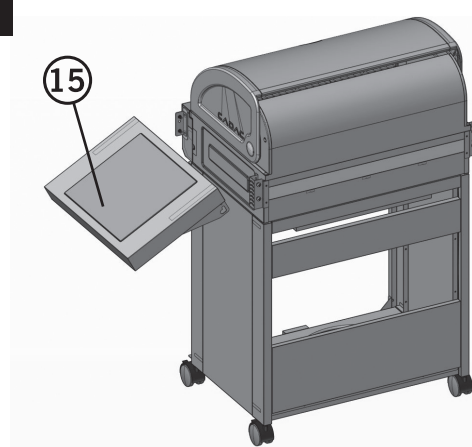
8.17



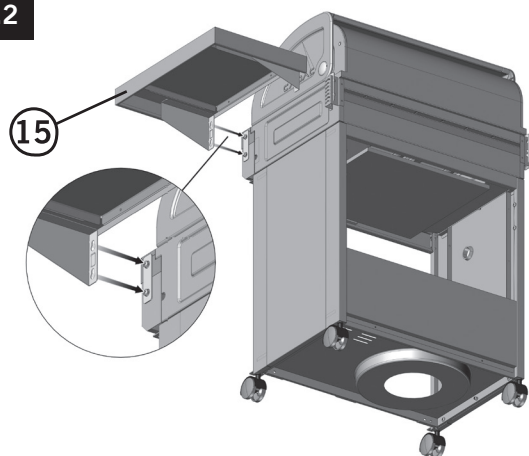
8.18



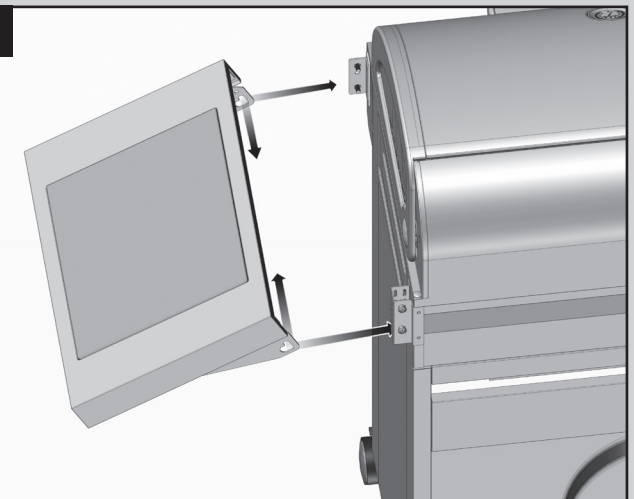
9.1



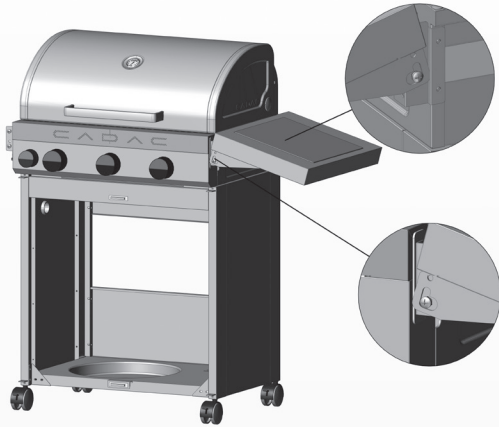
9.2



9.3



9.4



9.5



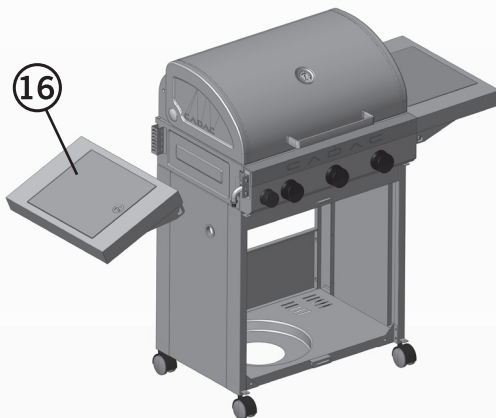
9.6



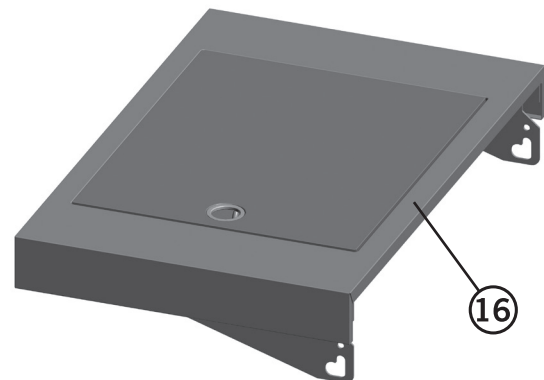
9.7 (98731, 98741)

- GB: Repeat Process for left side table
- DE: Wiederholen Sie den Vorgang für die linke Seite Tabelle
- NL: Herhaal de procedure voor de linker bijzettafel
- FR: Répéter l'opération pour la table de gauche
- DK: Gentag processen for venstre sidebord
- NO: Gjenta Prosess for tabellen venstre side
- IT: Ripetere il processo per la tavola a sinistra
- ES: Repita el proceso para la tabla del lado izquierdo
- PL: Powtórz Proces lewej stolik
- SE: Upprepa Process för vänster sidobord

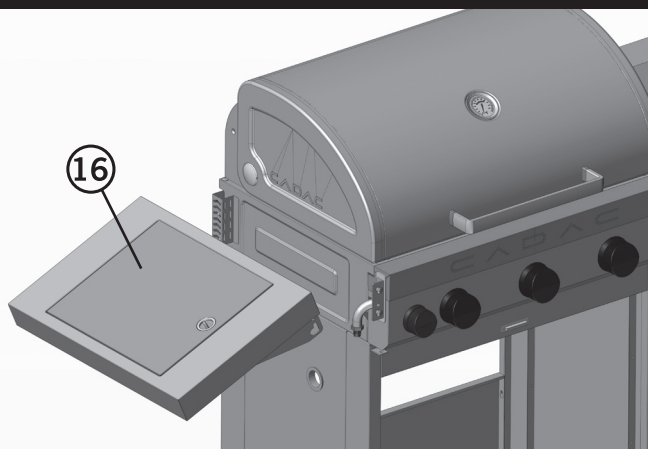
10.1 (98733, 98743)



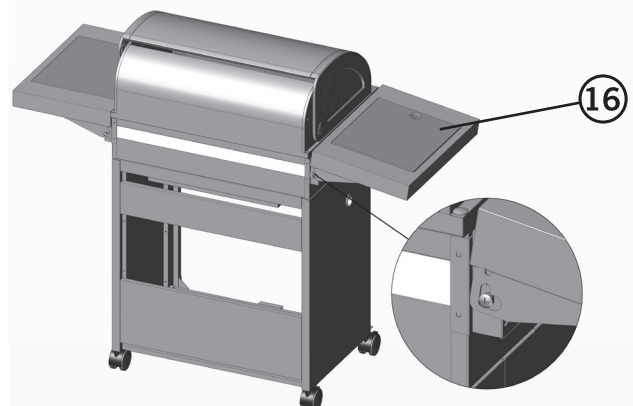
10.2 (98733, 98743)



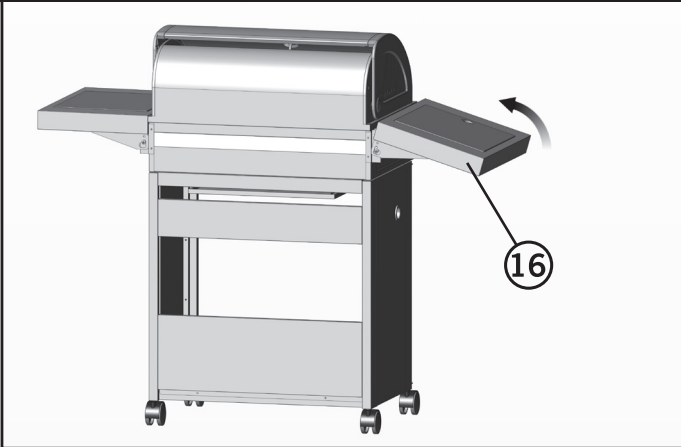
10.3 (98733, 98743)



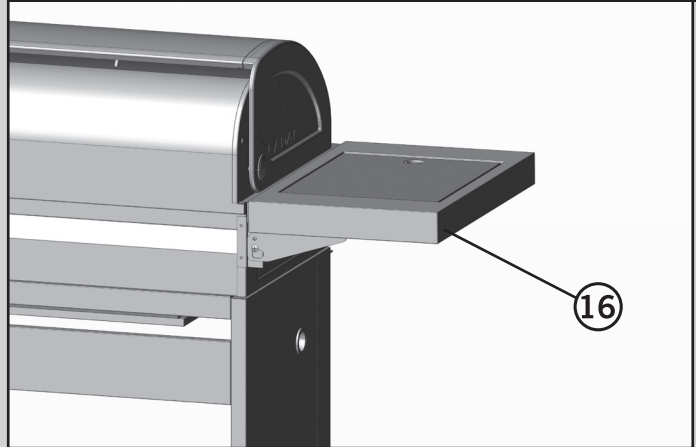
10.4 (98733, 98743)



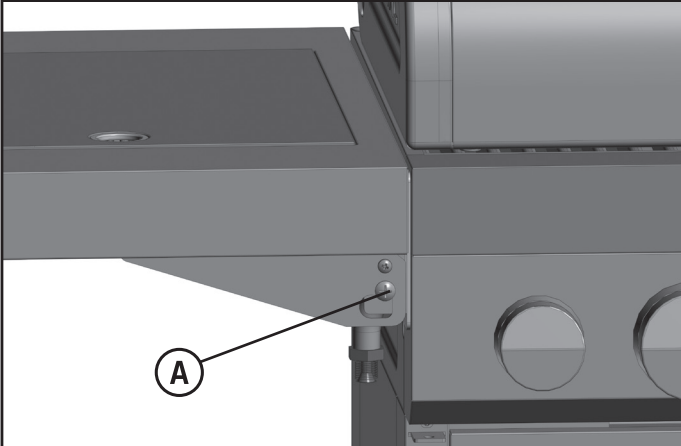
10.5 (98733, 98743)



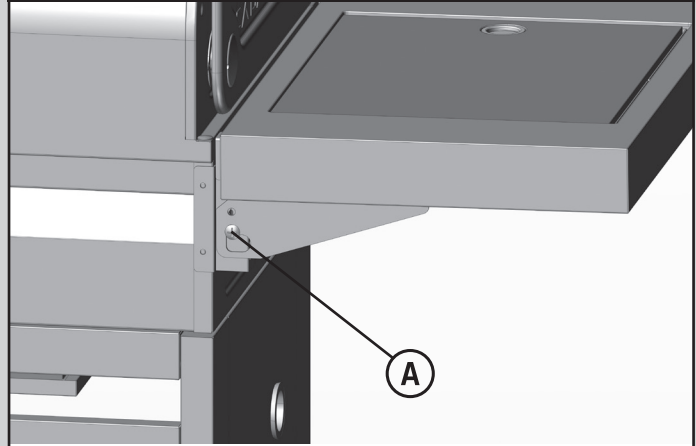
10.6 (98733, 98743)



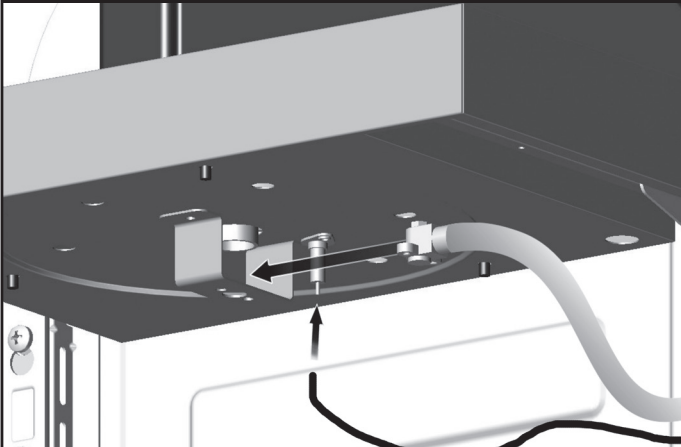
10.7 (98733, 98743)



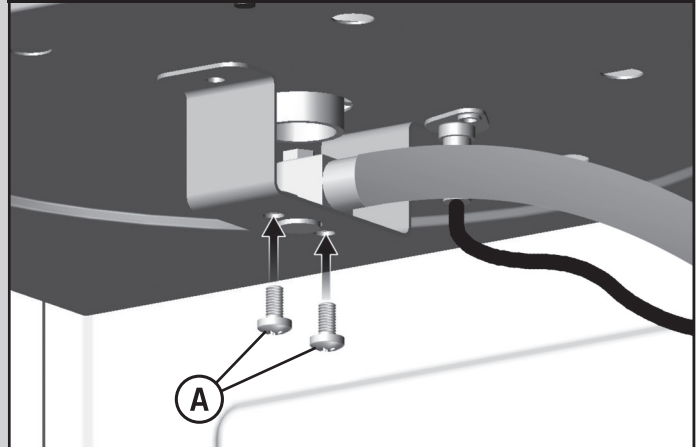
10.8 (98733, 98743)



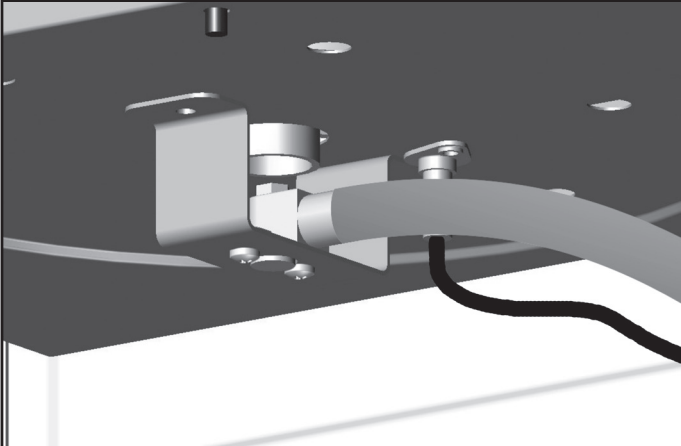
10.9 (98733, 98743)



10.10 (98733, 98743)



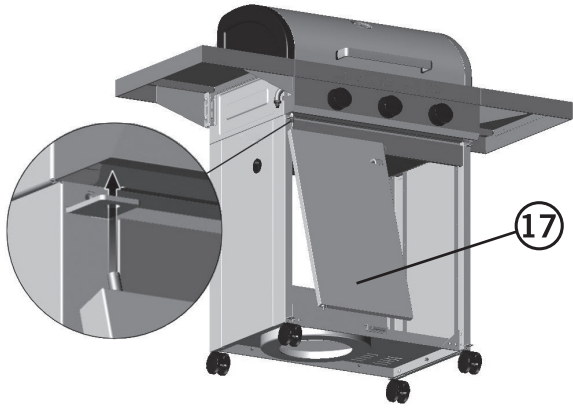
10.11 (98733, 98743)



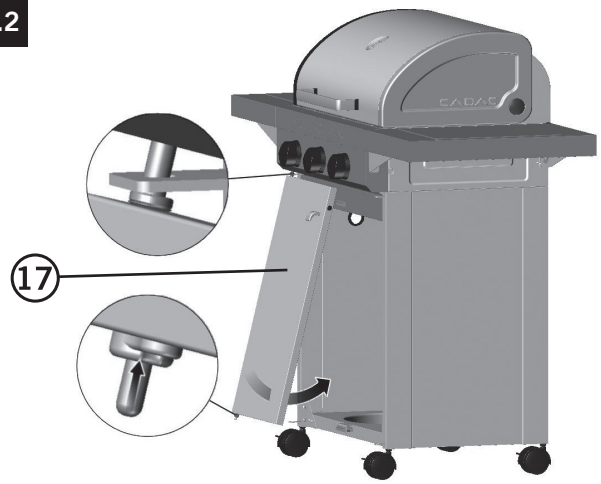
10.12 (98733, 98743)



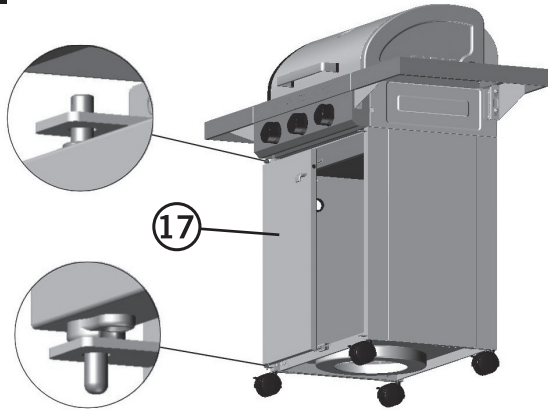
11.1



11.2



11.3



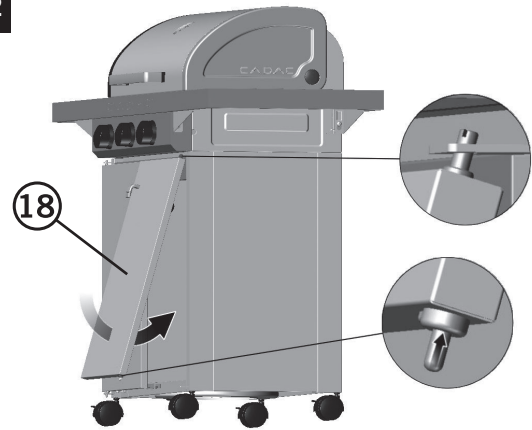
11.4



12.1



12.2



12.3

