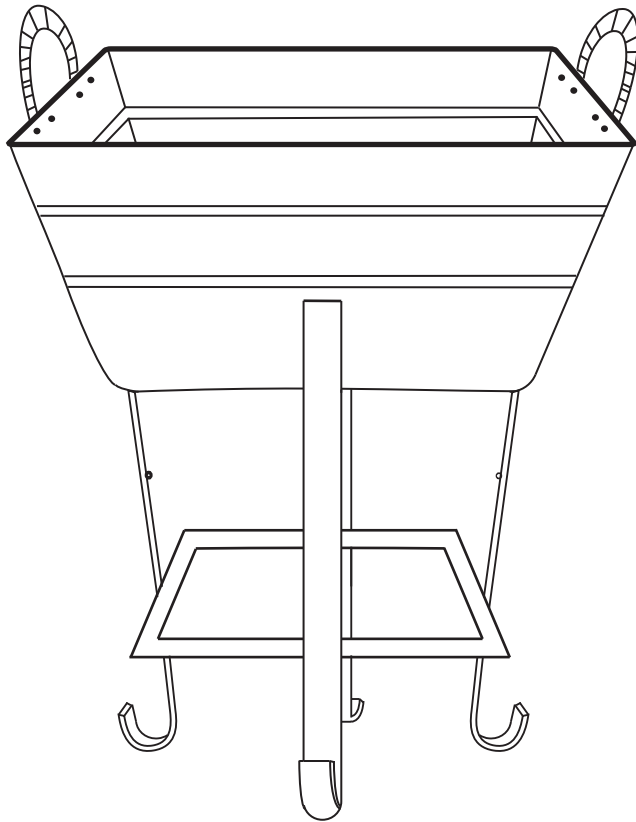


Item # 1001 503 898

Model # 14027

USE AND CARE GUIDE

BEVERAGE TUB WITH STAND AND TRAY



Questions, problems, missing parts?
Before returning to the store, call Customer Service
8 a.m. - 5 p.m., EST, Monday-Friday

1-877-527-0313

HOMEDEPOT.COM

Table of Contents

Table of Contents.....	2	Assembly	5
Safety Information.....	2	Care and Cleaning	6
Precautions	2		
Warranty.....	3		
Pre-Assembly	3		
Planning Assembly.....	3		
Hardware Included.....	3		
Package Contents	4		

Safety Information

PRECAUTIONS

Use caution and common sense when using your beverage tub. Failure to adhere to the safety warnings and guidelines in this manual could result in bodily injury or property damage. Save this manual for future reference.



WARNING: Do not use this tub for fires, as this is not designed to handle the heat.



WARNING: Do not leave unattended, especially around children, when the tub is full of ice or water.



WARNING: Do not drink directly from the tub as it is not food or beverage safe.



WARNING: Do not alter this stand in any manner.



WARNING: When using as a plant stand make sure the plant is planted in a pot prior to inserting into the tub, as there are no drainage holes.



WARNING: Always use this stand on a hard, level surface.

Warranty

This product carries no warranty. No replacement parts are available.

If there are any questions, contact the Customer Service Team at 1-877-527-0313 or visit www.Homedepot.com.

Pre-Assembly

PLANNING ASSEMBLY

Read all safety warnings and instructions carefully and thoroughly before assembling and operating your beverage tub with stand. Familiarize yourself with the inventory of parts and the accompanying illustrations to ensure safe and proper assembly. The manufacturer is not responsible for any injury that may occur during the assembly of this product.

Place the parts on a soft surface to assemble and prevent scratching the finish.

TOOLS NOT REQUIRED

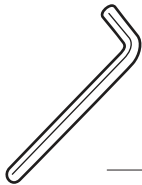
HARDWARE INCLUDED



NOTE: Hardware not shown to actual size.



AA

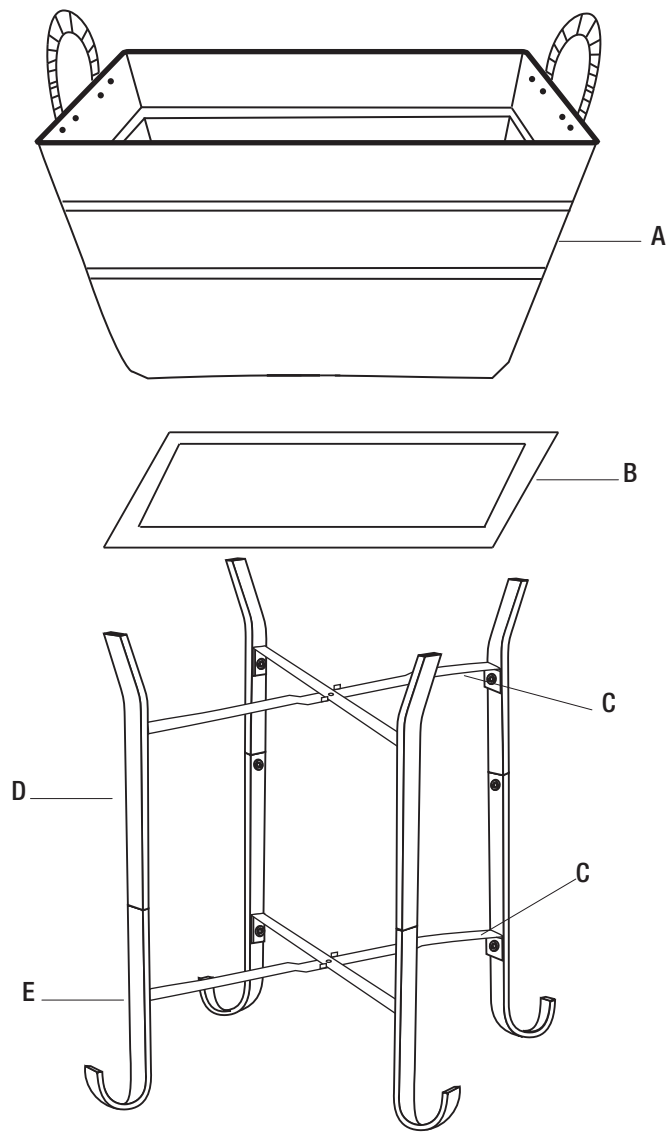


BB

Part	Description	Quantity
AA	M6 Bolt	12
BB	Hex wrench	1

Pre-Assembly (continued)

PACKAGE CONTENTS

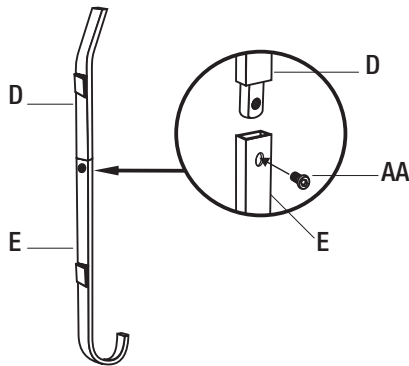


Part	Description	Quantity
A	Tub	1
B	Tray	1
C	Leg connector	2
D	Upper leg	4
E	Bottom leg	4

Assembly

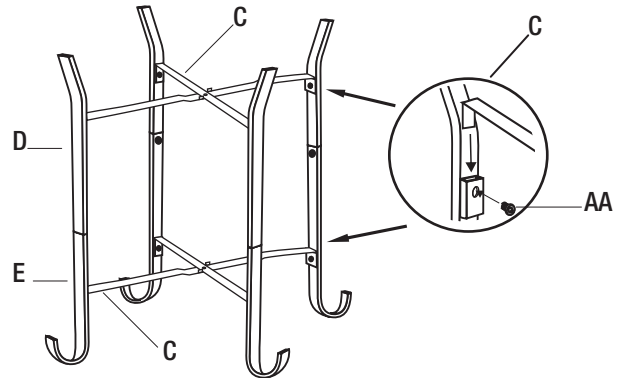
1 Assembling the legs

- Insert the upper leg (D) into the bottom leg (E) and secure together using a bolt (AA). Tighten with the hex wrench (BB).



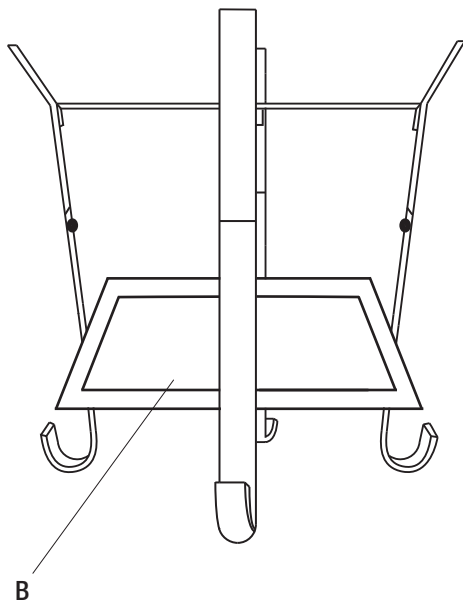
2 Attaching the rings

- Extend the leg connector (C).
- Attach the leg connector (C) to the bottom leg (E) by inserting the hinge of the leg connector (C) into the ledge of the bottom leg (E) and secure together using a bolt (AA). Tighten with the hex wrench (BB).
- Attach the leg connector (C) to the upper leg (D) by inserting the hinge of the leg connector (C) into the ledge of the upper leg (D) and secure together using a bolt (AA). Tighten with the hex wrench (BB).



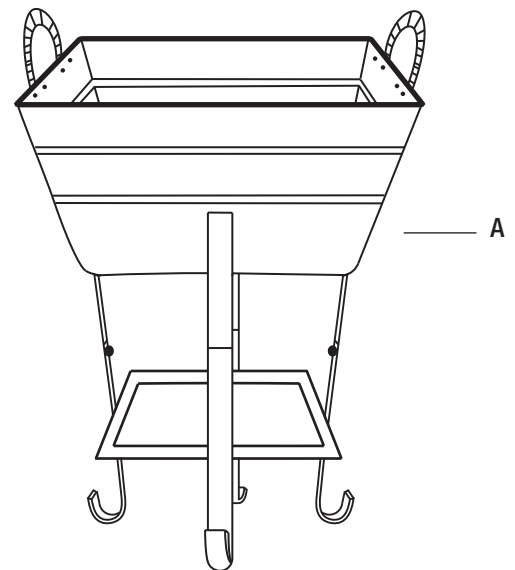
3 Assembling the tray

- Place the tray (B) onto the lower leg connector (C).



4 Assembling the tub

- Carefully place the tub (A) on the upper leg connector (C).



Care and Cleaning

- Wipe the tub, tray and stand with a soft cloth and mild soap and water after each use.
- Do not use abrasive cleaners as they may cause parts to tarnish or rust.
- Do not use a pressure washer to clean.
- Dry immediately with a soft cloth.

Questions, problems, missing parts?
Before returning to the store, call Customer Service
8 a.m. - 5 p.m., EST, Monday-Friday

1-877-527-0313

HOMEDEPOT.COM

MADE IN CHINA

Retain this manual for future use.