



ARIENS

Ikon-X

Parts Manual

Models:

915220
915222
915223
915224
915225



THE MANUAL

Before you operate your unit, carefully and completely read manuals supplied with the unit. The contents will provide you with an understanding of safety instructions and controls during normal operation and maintenance.

For your safety and the safety of others always read, understand, and follow all DANGER, WARNING, and CAUTION messages found in manuals and on safety decals.

Hardware descriptions are given in decimals.

Decimals to Fractions			
.063	1/16	.563	9/16
.125	1/8	.625	5/8
.188	3/16	.688	11/16
.250	1/4	.750	3/4
.313	5/16	.813	13/16
.375	3/8	.875	7/8
.438	7/16	.938	15/16
.500	1/2	1.00	1

SERVICE AND REPLACEMENT PARTS

When ordering replacement parts or making service inquiries, know the Model and Serial numbers of your unit and engine.

Numbers are located on the product registration card in the unit literature package. They are printed on a serial number label, located on the frame of your unit.

- Record Unit Model and Serial numbers here:

- Record Engine Model and Serial numbers here:

UNAUTHORIZED REPLACEMENT PARTS

Use only Ariens replacement parts. The replacement of any part on this vehicle with anything other than an Ariens authorized replacement part may adversely affect the performance, durability, or safety of this unit and may void the warranty. Ariens disclaims liability for any claims or damages, whether warranty, property damage, personal injury or death arising out of the use of unauthorized replacement parts.

PRODUCT REGISTRATION

The Ariens dealer must register the product at the time of purchase. Registering the product will help the company process warranty claims or contact you with the latest service information. All claims meeting requirements during the limited warranty period will be honored, whether or not the product registration card is returned. Keep a proof of purchase if you do not register your unit.

Customer Note: If Dealer does not register your product, please fill out, sign and return the product registration card to Ariens or go to www.ariens.com.

YOUR SATISFACTION IS IMPORTANT

Questions? Please follow these helpful steps:

1. Refer to the manuals supplied with your unit.
They will guide you through safe and proper operation and maintenance.
They contain specifications on your unit.
If your questions are not answered in these manuals, go to step number two.

2. Contact Your Dealer.
Our dealers will be happy to supply any service or advice required to keep your unit operating at peak efficiency.

A factory trained staff is available to support your equipment needs. They stock genuine Ariens parts and lubricants manufactured with the same precision and skill as the original.

If your questions are not resolved by the support staff, ask for the manager or owner.

When contacting your Dealer supply your model and serial numbers.

TO SPEED PARTS ORDERING:

1. Know the model and serial numbers of your unit.
2. Know the part number required.
3. Know the quantity required.
4. Know the part description.

MODELS

Model 915220 (Ikon-X 42)

Kohler 22HP, 42" Mower Deck
Serial No.000101 +

Model 915222 (Ikon-X 52)

Kohler 24HP, 52" Mower Deck
Serial No. 000101 +

Model 915223 (Ikon-X 52)

Kawasaki FX750V, 48" Mower Deck
Serial No. 000101 +

Model 915224 (Ikon-X 42 CARB)

Kohler 22HP, 42" Mower Deck
Serial No.000101 +

Model 915225 (Ikon-X 52 CARB)

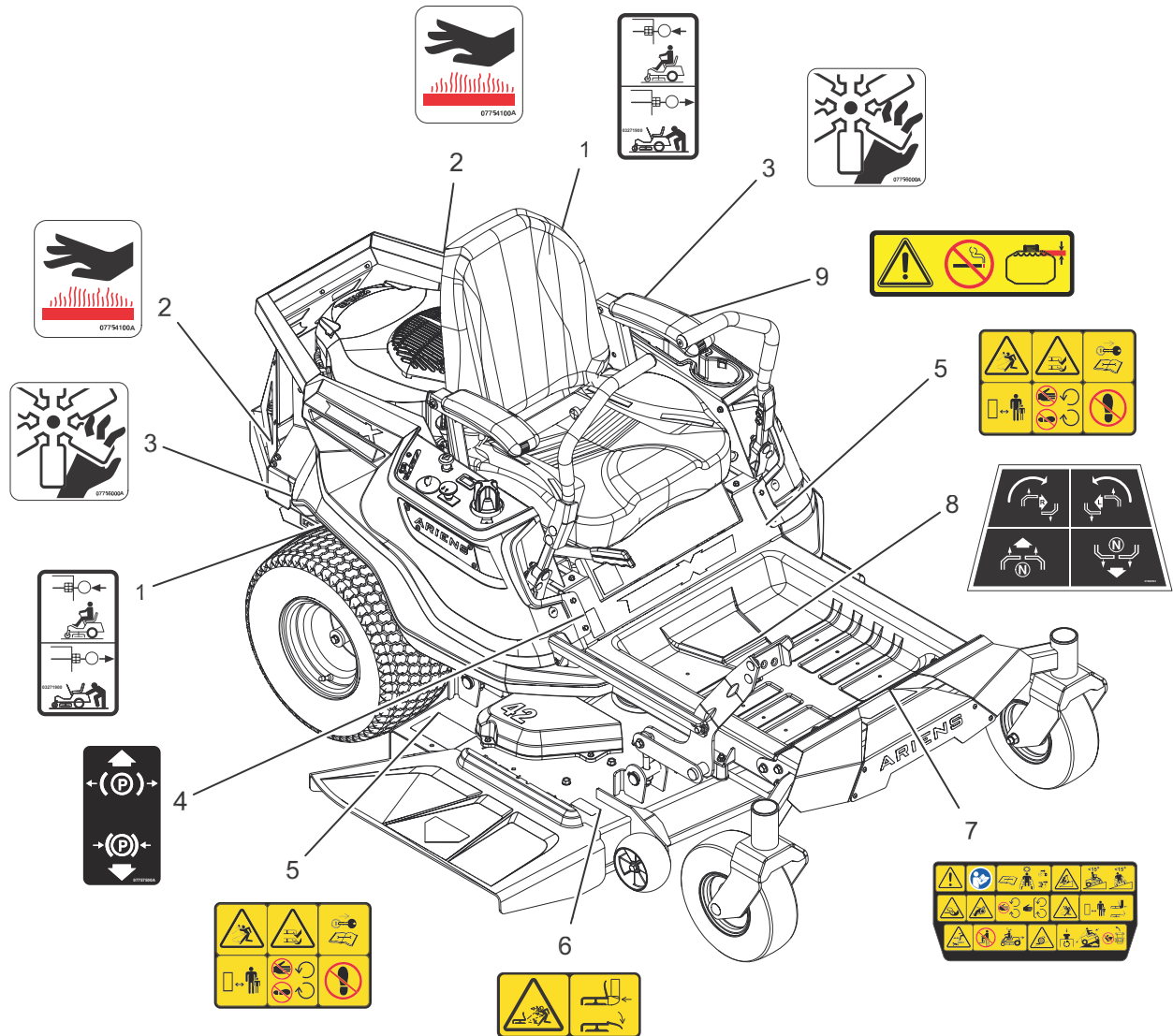
Kohler 24HP, 52" Mower Deck
Serial No. 000101 +

TABLE OF CONTENTS

Decals – Safety	4
Decals – Style 42"	5
Decals – Style 52"	6
Frame	7
Engine – Kohler 22HP	8
Engine – Kohler 24HP	9
Engine – Kawasaki	10
Seat	11
Bumper	12
Fenders	13
Fuel System – Non-CARB	14
Fuel System – CARB	15
Control Panel	16
Electrical	17
Wiring Diagram	18
Front Caster Wheels	19
Rear Tires and Transaxles	20
Transaxle Drive	21
Controls	22
Parking Brake	23
Deck Lift	24
Height of Cut	25
Deck Mount	26
Deck. Belt, Blades and Spindles – 42 inch	27
Deck, Belt, Blades and Spindles – 52 Inch	28
Idlers and Sheaves – 42 Inch	29
Idlers and Sheaves – 52 Inch	30
Anti-Scalp Rollers – 42 Inch	31
Anti-Scalp Rollers – 52 Inch	32
Belt Covers and Baffles – 42 Inch	33
Belt Covers and Baffles – 52 Inch	34
Chute	35

DECALS – SAFETY

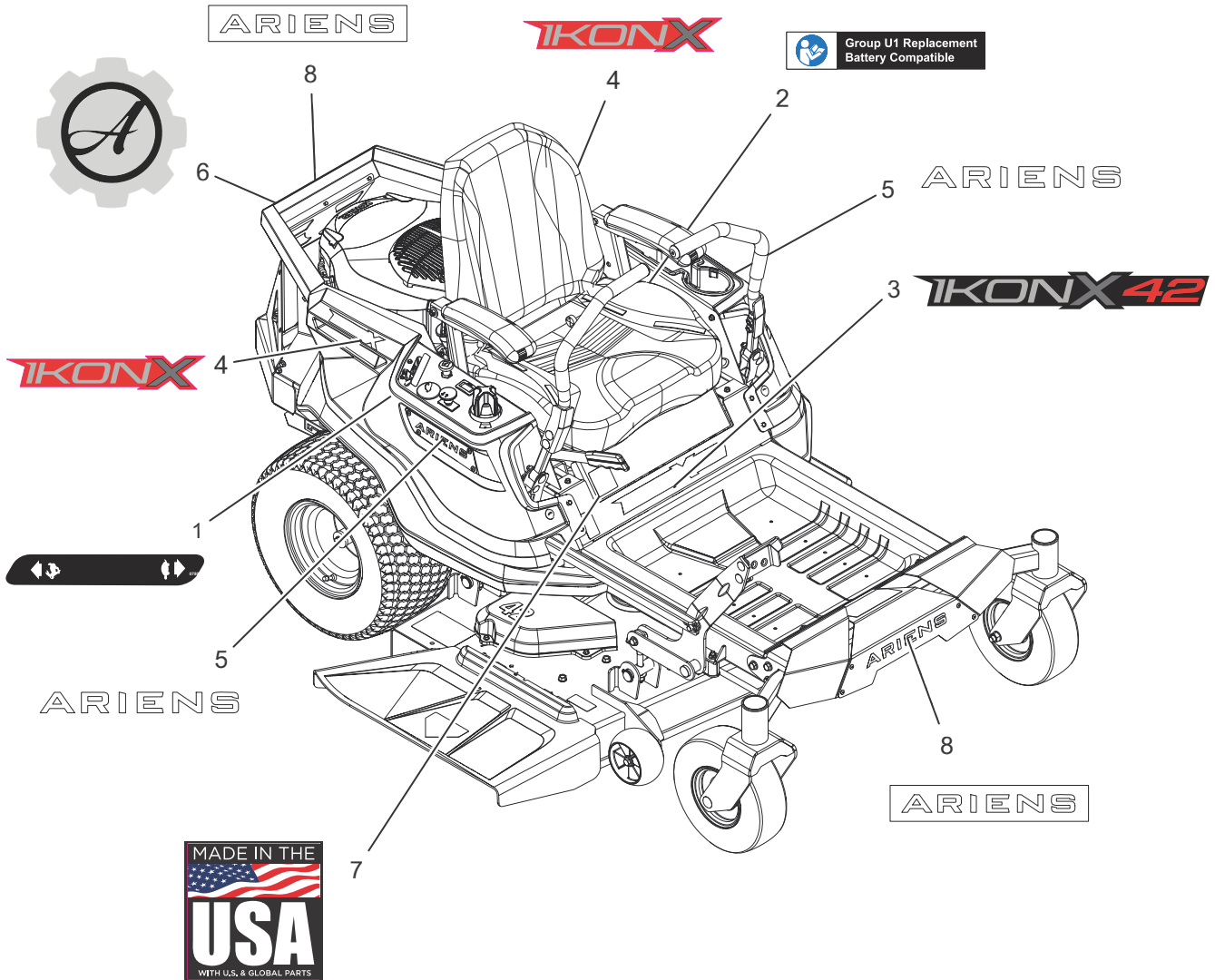
Model ALL



BOM ID	Number	Qty	Description
1	03271900	2	DECAL, TRANSMISSION DISCONNECT
2	07754100	2	DECAL HOT SURFACE
3	07756000	2	DECAL, DANGER - FAN
4	07757500	1	DECAL, PARKING BRAKE LEVER
5	07800340	2	DECAL, SAFETY - MOWER DECK
6	07800402	1	DECAL, SAFETY - DECK GUARDING
7	07800537	1	DECAL, MAIN SAFETY-IKON ZTX
8	07800541	1	DECAL, STEERING
9	07800820	1	DECAL, FUEL WARNING

DECALS – STYLE 42"

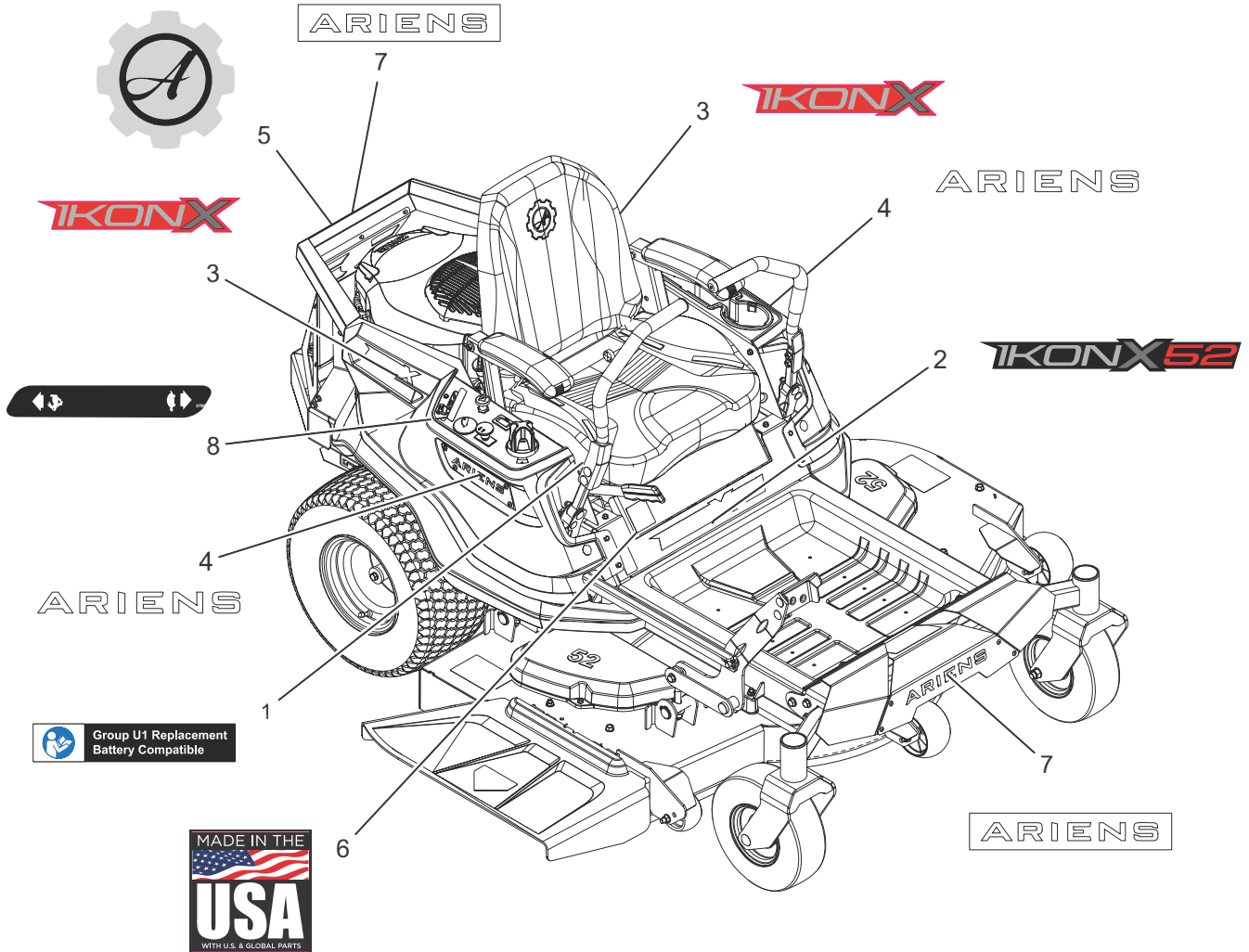
Model 915220, 224



BOM ID	Number	Qty	Description
1	07800540	1	DECAL, DASH
2	07800336	1	DECAL, U1 REPLACEMENT BATTERY
3	07800822	1	DECAL, IKON-X 42 KICKPLATE
4	07800827	2	DECAL, IKON-X FENDER
5	07800829	2	DECAL, ARIENS 6.00"
6	08001034	1	DECAL, ARIENS
7	08001038	1	DECAL, MADE IN USA
8	08001108	2	DECAL, ARIENS - BADGE

DECALS – STYLE 52"

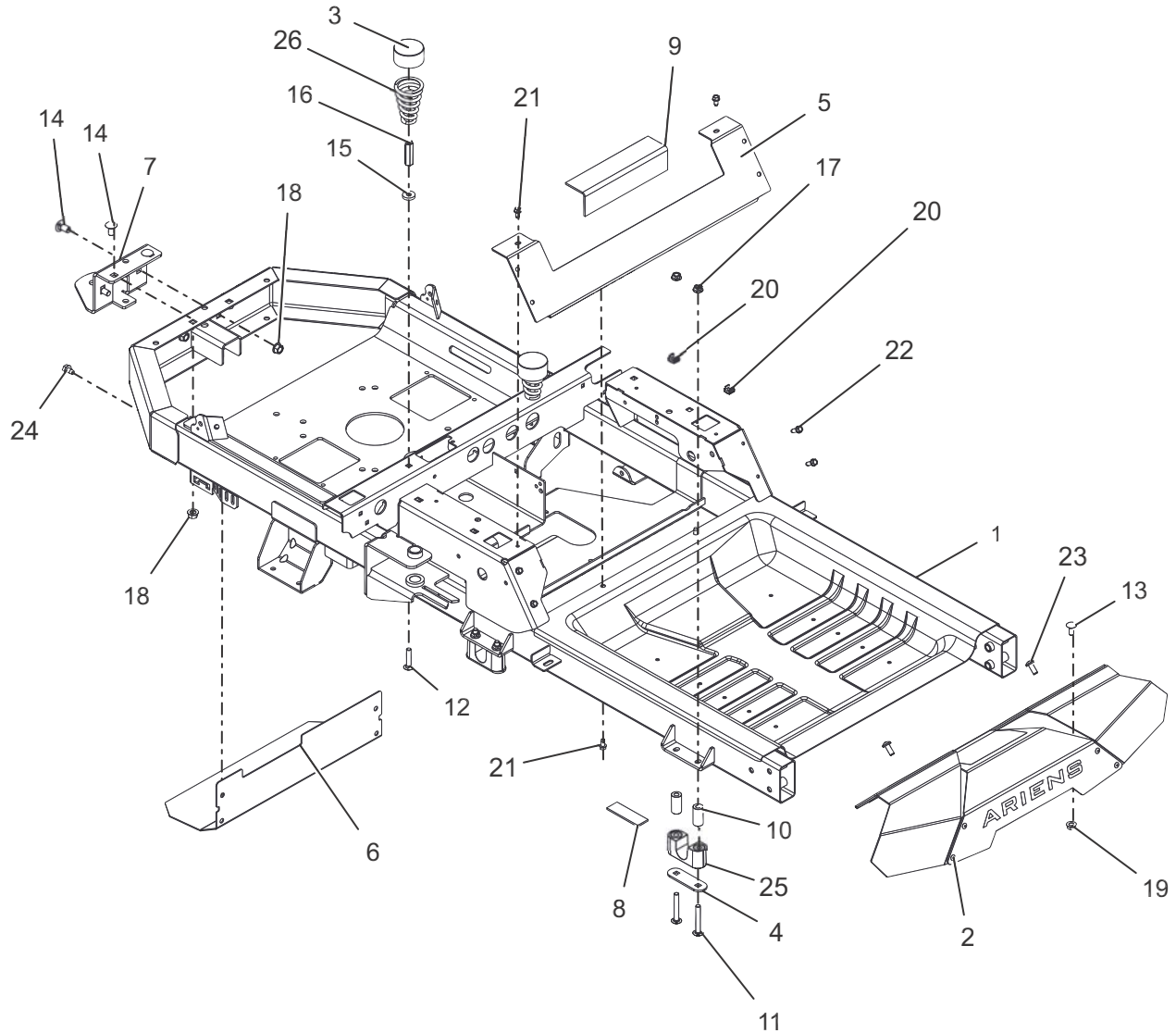
Model 915222, 223, 225



BOM ID	Number	Qty	Description
1	07800336	1	DECAL, U1 REPLACEMENT BATTERY
2	07800823	1	DECAL, IKON-X 52 KICKPLATE
3	07800827	2	DECAL, IKON-X FENDER
4	07800829	2	DECAL, ARIENS 6.00"
5	08001034	1	DECAL, ARIENS
6	08001038	1	DECAL, MADE IN USA
7	08001108	2	DECAL, ARIENS - BADGE
8	07800540	1	DECAL, DASH

FRAME

Model All



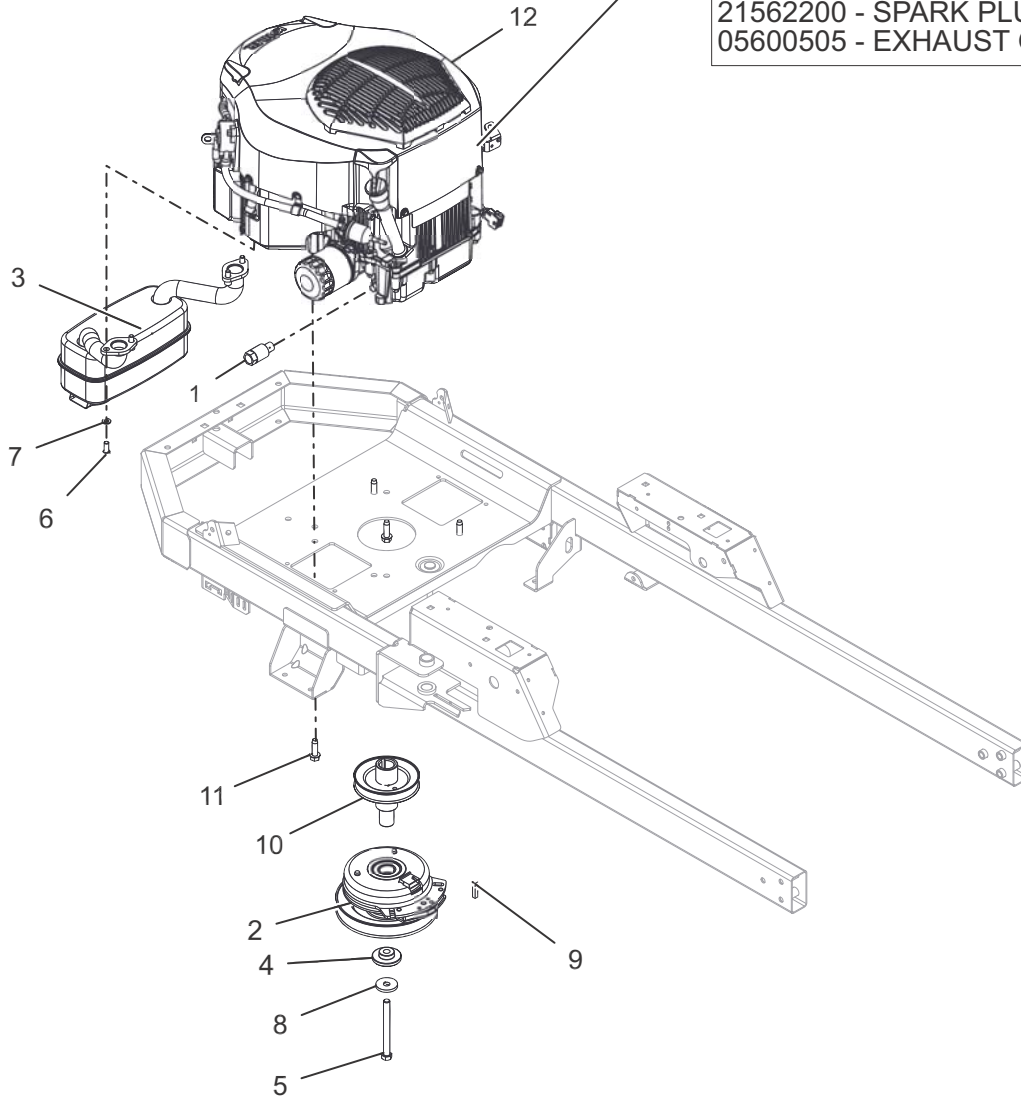
BOM ID	Number	Qty	Description
1	51531600	1	KIT, IKON-XL FRAME SERVICE
2	51531300	1	KIT, IKON FOOTREST W/ DECAL
3	00337700	2	HUB CAP
4	04766551	4	PLATE, BEARING SUPPORT
5	04772359	1	PLATE, SEAT
6	04807951	1	HEAT, SHIELD
7	04751523	1	BRKT, HITCH
8	04850000	4	PAD, RBR 1.0"X3.0" W/ADHESIVE
9	04864600	1	PAD, RBR -TANK
10	05501230	8	SPCR, SLV .323X.448X1.403
11	06200226	8	BLT-RDHDSQSHNK .31-18X2.25 YWZC
12	06212100	2	BOLT, CARRIAGE 0.3125-18X1.5 GR5
13	06215700	2	BOLT, CARRIAGE 0.3125-18X0.75 GR5
14	06223900	4	BOLT, CARRIAGE 0.375-16X0.75 GR5

BOM ID	Number	Qty	Description
15	06439100	2	WSHR-FL-STL .328X.87X.179 YWZC
16	06500015	2	NUT, COUPLER 5/16-18 x 1.75
17	06528700	8	NUT, LK-CTR-FLG .31-18 YWZC
18	06542000	4	NUT, LK-TOP-FLG .38-16 YWZC
19	06543100	2	NUT, LK-TOP-FLG .312-18 YWZC
20	07009300	4	NUT, RETAINER .25-20
21	07400034	4	SCR-TAP .25-20X.50 HWH TR YWZ
22	07400111	4	SCR-TAP .25-20X.75 HWH TR YWZ
23	07400120	2	SCR-TAP 10-24X.25 CRSLPH TR YZ
24	07411500	2	SCR-TAP .31-18X.50 HWH TR YWZ
25	07500327	4	BSHG, DECK
26	08300021	2	SPRG, COMPRESSION

ENGINE – KOHLER 22HP

Model 915220, 224

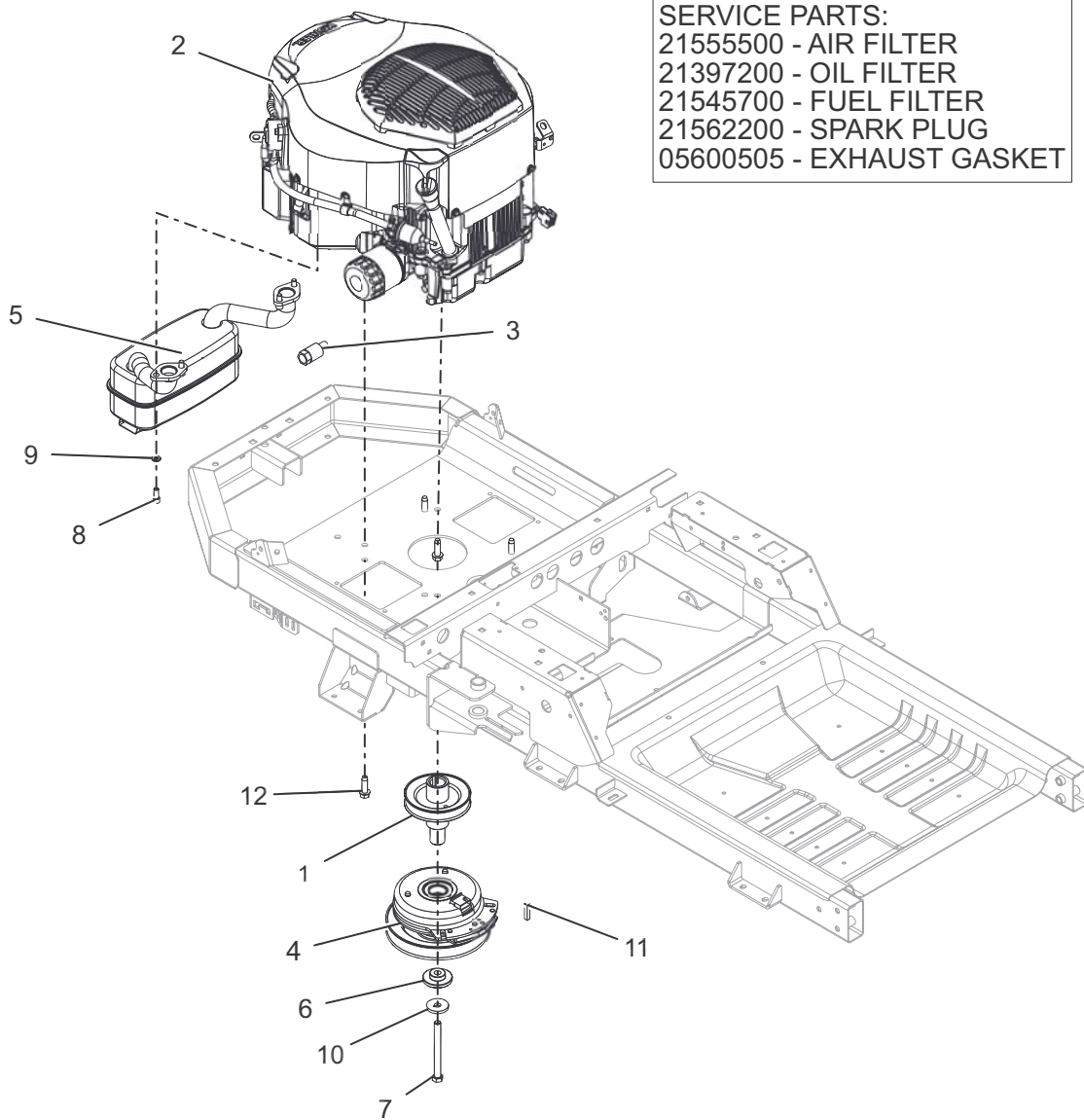
SERVICE PARTS:
 21555500 - AIR FILTER
 21397200 - OIL FILTER
 21541500 - FUEL FILTER
 21562200 - SPARK PLUG
 05600505 - EXHAUST GASKET



BOM ID	Number	Qty	Description
1	03943600	1	DRAIN, OIL
2	04678300	1	CLUTCH, ELEC 105 FT LB MONOPOLE 6.83"
3	05088400	1	MUFFLER, KOHLER
4	05501206	1	BSHG, -FLG .469 x 1.06 x .574 x 2.0
5	05901707	1	BLT-HEX .44-20X4.50 GR8 YWZC NYTORQ
6	05933100	4	SCR, CAP
7	06308600	4	WSHR-LK .31X.078 REG YWZC
8	06400936	1	WSHR, 7/16" SPRING DISC
9	06603400	1	KEY-SQ .250X.250X1.250
10	07345100	1	WLDMT, DRIVE SHEAVE-X
11	07414700	4	SCR-TAP .38-16X1.25 HWH TR YZ
12	08201140	1	ENGINE, KOHLER 22HP TWIN

ENGINE – KOHLER 24HP

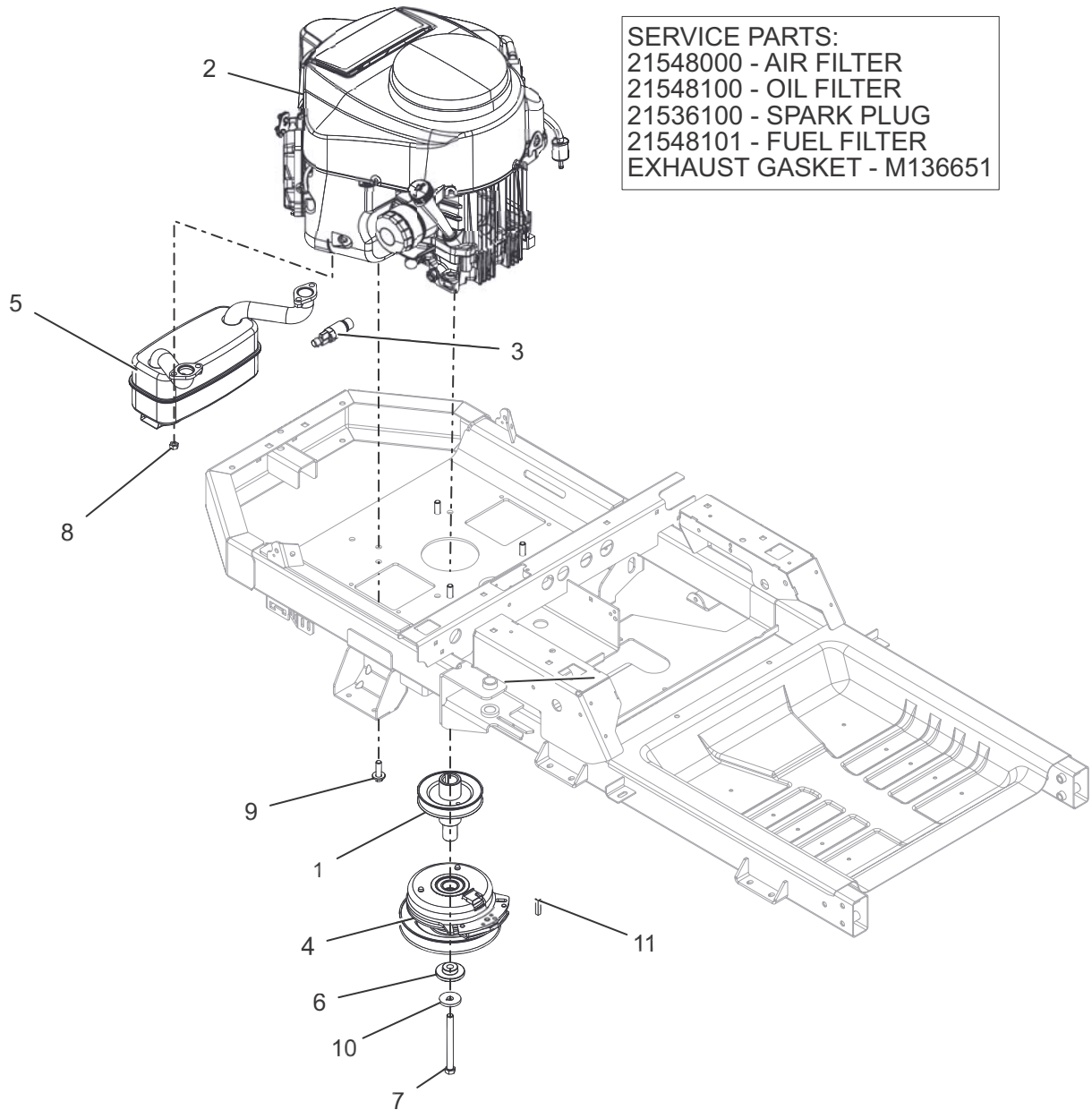
Model 915222, 224



BOM ID	Number	Qty	Description
1	07345100	1	WLDMT, DRIVE SHEAVE-X
2	08201201	1	ENGINE, KOHLER 24HP TWIN
3	03943600	1	DRAIN, OIL
4	04678300	1	CLUTCH, ELEC 105 FT LB MONOPOLE 6.83"
5	05088400	1	MUFFLER, KOHLER
6	05501206	1	BSHG, -FLG .469 x 1.06 x .574 x 2.0
7	05901707	1	BLT-HEX .44-20X4.50 GR8 YWZC NYTORQ
8	05933100	4	SCR, CAP
9	06308600	4	WSHR-LK .31X.078 REG YWZC
10	06400936	1	WSHR, 7/16" SPRING DISC
11	06603400	1	KEY-SQ .250X.250X1.250
12	07414700	4	SCR-TAP .38-16X1.25 HWH TR YZ

ENGINE – KAWASAKI

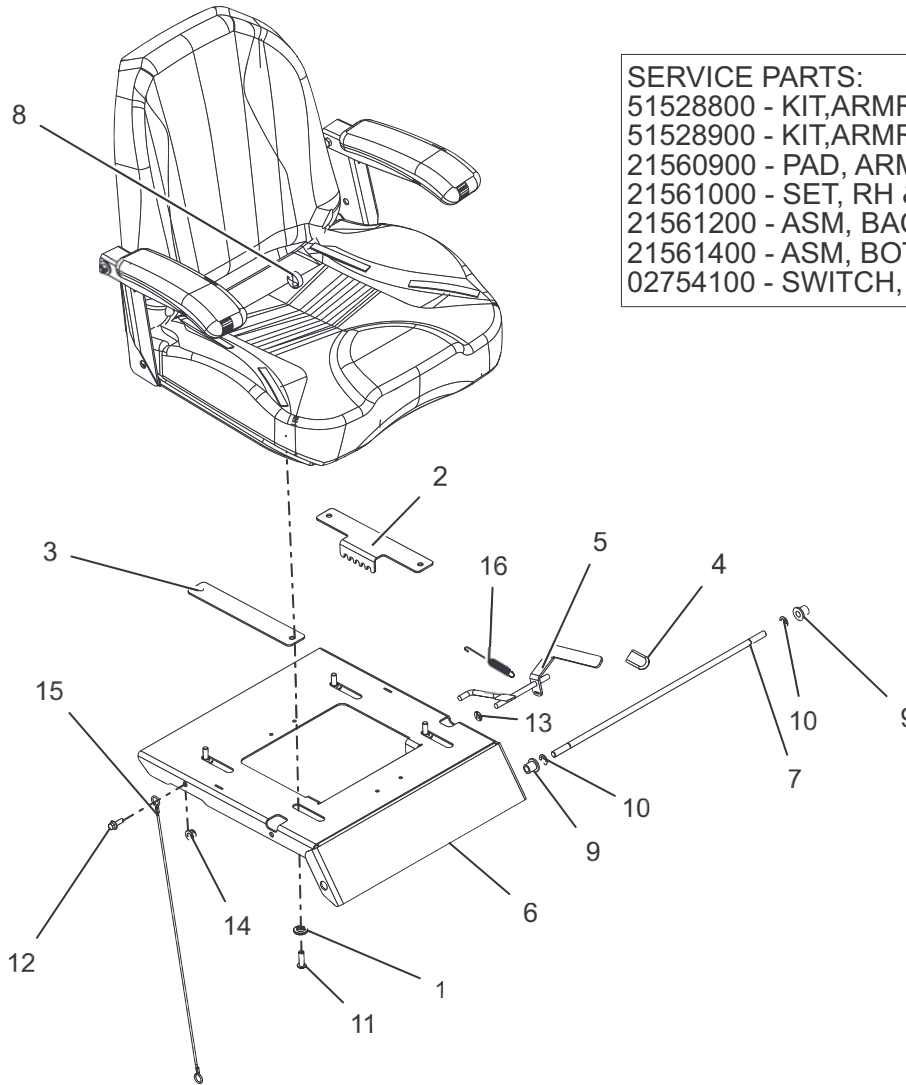
Model 915223



BOM ID	Number	Qty	Description
1	07345100	1	WLDMT, DRIVE SHEAVE-X
2	08201128	1	ENGINE, KAWASAKI
3	04977100	1	VALVE, DRAIN -M20X2.5
4	04678300	1	CLUTCH, ELEC 105 FT LB MONOPOLE 6.83"
5	05083300	1	MUFFLER, KAWASAKI
6	05501206	1	BSHG, -FLG .469 x 1.06 x .574 x 2.0
7	05901707	1	BLT-HEX .44-20X4.50 GR8 YWZC NYTORQ
8	06500018	4	NUT-LK-TOP M8-1.25 YWZC
9	05901522	4	BOLT, HEX 0.375-16X1.25 GR5
10	06400936	1	WSHR, 7/16" SPRING DISC
11	06603400	1	KEY-SQ .250X.250X1.250

SEAT

Model All

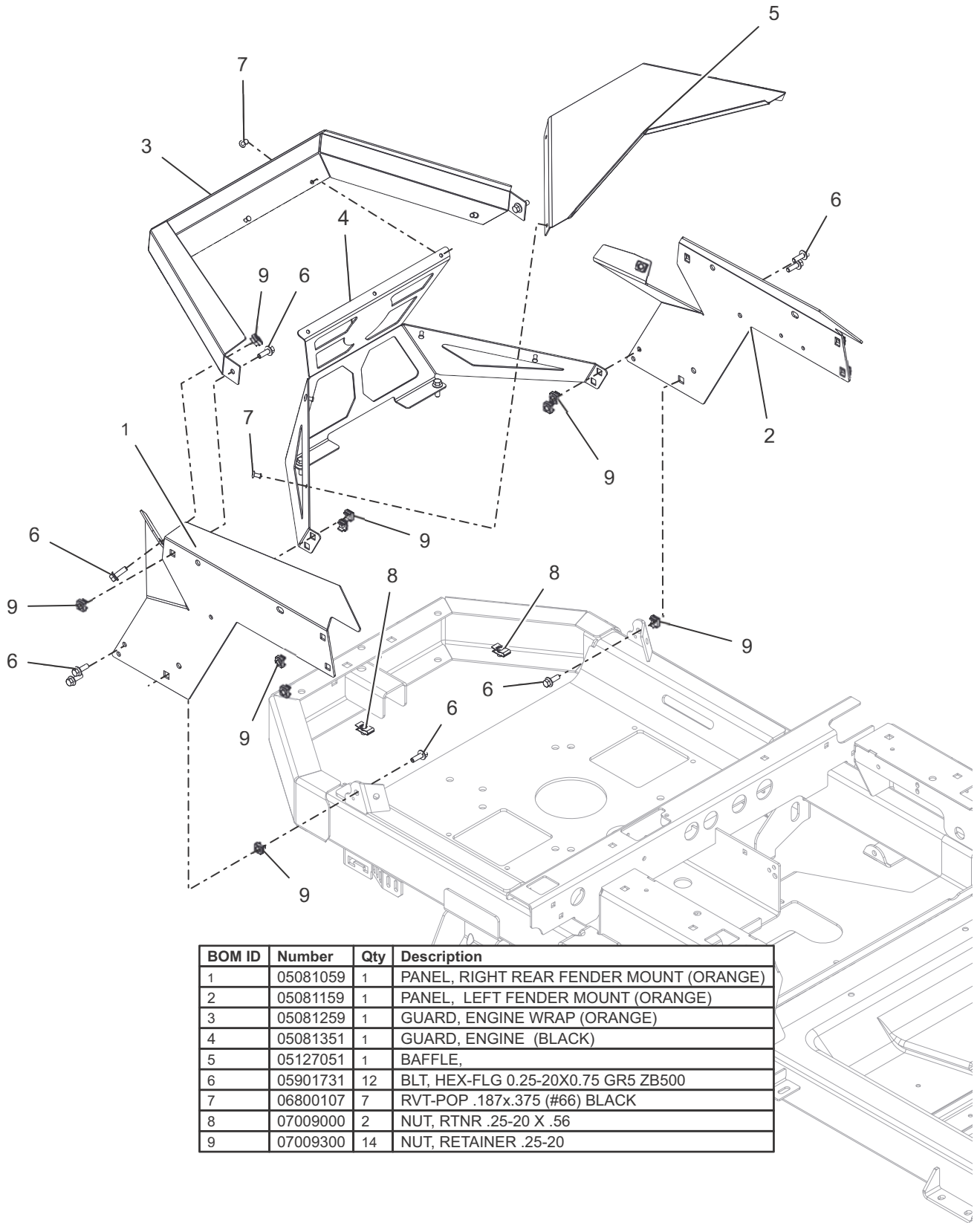


SERVICE PARTS:
 51528800 - KIT, ARMREST LH W/HDWR
 51528900 - KIT, ARMREST RH W/HDWR
 21560900 - PAD, ARMREST
 21561000 - SET, RH & LH ARMREST
 21561200 - ASM, BACK CUSHION
 21561400 - ASM, BOTTOM CUSHION
 02754100 - SWITCH, SEAT

BOM ID	Number	Qty	Description
1	01305900	4	BSHG, FLG .325X.499X.26X.88
2	04376951	1	PLATE, ADJUSTABLE SEAT TRACK
3	04377051	1	PLATE, ADJUSTABLE SEAT SLIDE
4	04396600	1	GRIP, SEAT LEVER
5	04756451	1	WLDMT, ADJUSTABLE SEAT LATCH
6	04757059	1	PLATE, SEAT
7	04816200	1	ROD, SEAT PIVOT
8	05092300	1	SEAT, MOWER
9	05501231	2	BSHG, FLANGE .380 X .580 X .667 X .875
10	05710600	2	RING, RETAINING-E .375X.035
11	05901508	4	SCR-SKH .31-18X1.00 BTNHD YWZC
12	05901731	1	BLT, HEX-FLG 0.25-20X0.75 GR5 ZB500
13	06514900	1	NUT, PUSH .312
14	06545400	1	NUT-LK-NYL-FLG .31-18 YWZC
15	06900623	1	CABLE, WIRE (LANYARD)-.093X19.5
16	08321100	1	SPRG, EXTENSION

BUMPER

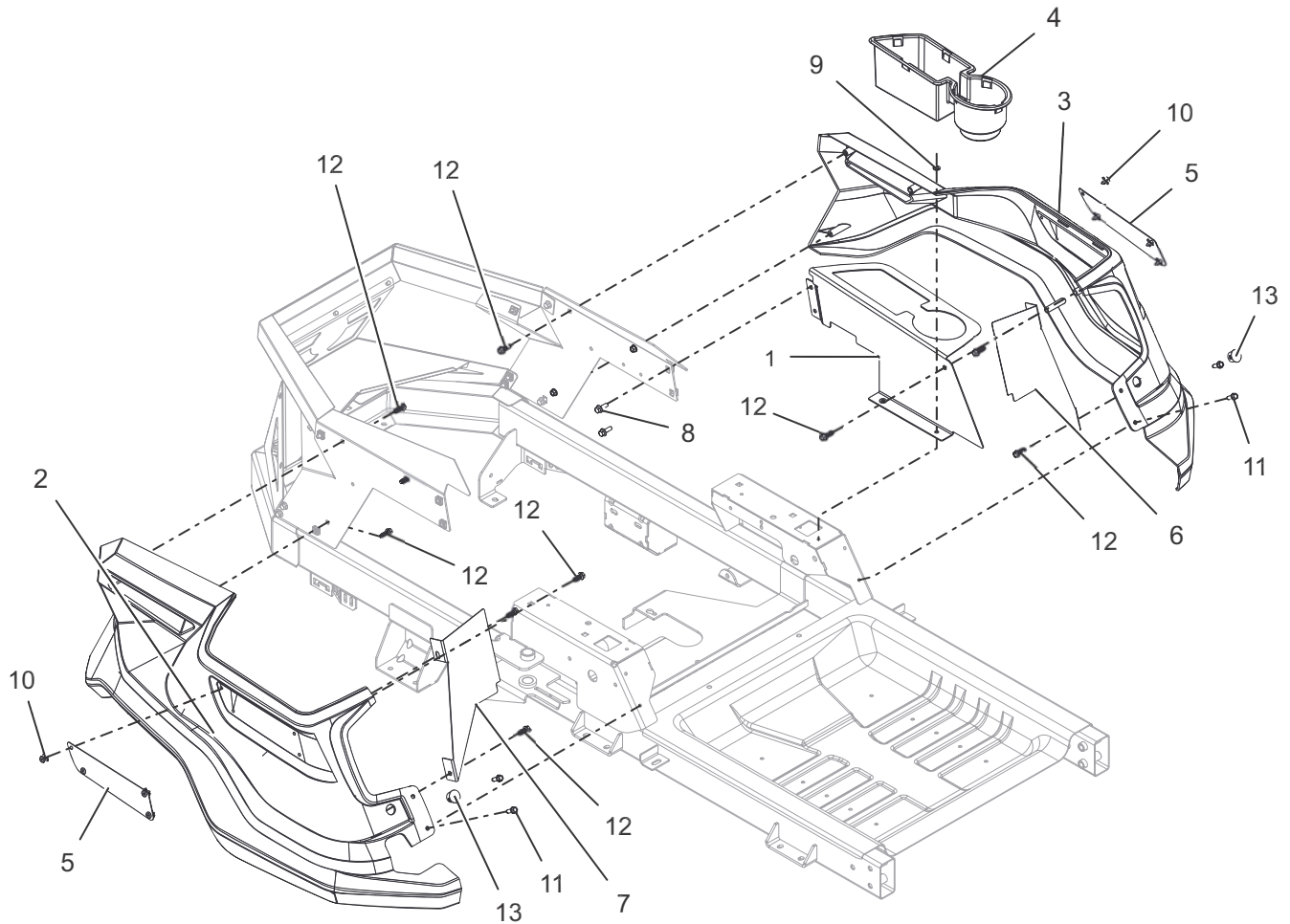
Model All



BOM ID	Number	Qty	Description
1	05081059	1	PANEL, RIGHT REAR FENDER MOUNT (ORANGE)
2	05081159	1	PANEL, LEFT FENDER MOUNT (ORANGE)
3	05081259	1	GUARD, ENGINE WRAP (ORANGE)
4	05081351	1	GUARD, ENGINE (BLACK)
5	05127051	1	BAFFLE,
6	05901731	12	BLT, HEX-FLG 0.25-20X0.75 GR5 ZB500
7	06800107	7	RVT-POP .187x.375 (#66) BLACK
8	07009000	2	NUT, RTNR .25-20 X .56
9	07009300	14	NUT, RETAINER .25-20

FENDERS

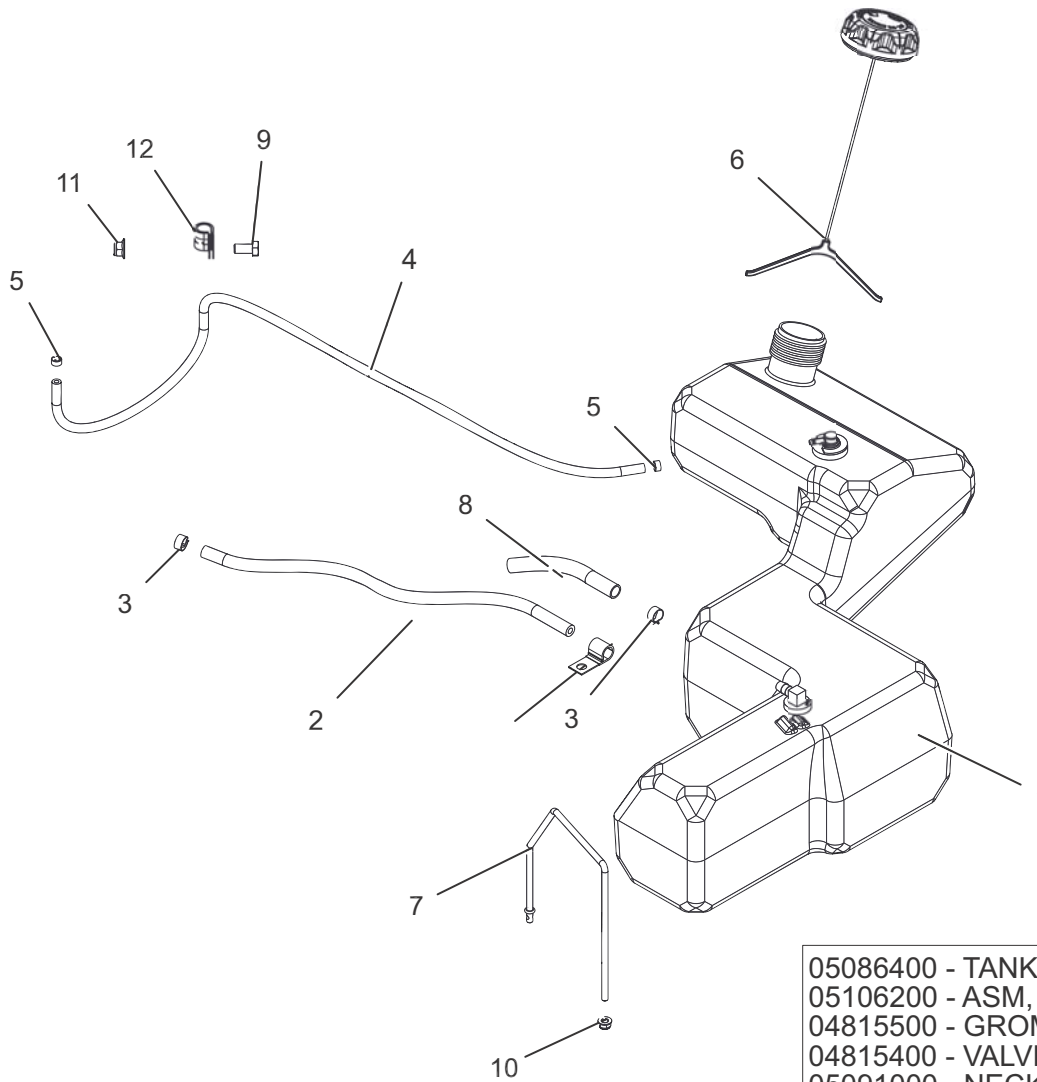
Model All



BOM ID	Number	Qty	Description
1	05080959	1	PANEL, RIGHT SIDE FENDER MOUNT (ORANGE)
2	05089900	1	FENDER, RH IKON 2017
3	05090000	1	FENDER, LH IKON
4	05091800	1	INSERT, CUP/STORAGE HOLDER
5	05097359	2	PLATE, ARIENS NAME
6	05110951	1	PLATE, LH BLOCKER
7	05115751	1	PLATE, RH BLOCKER
8	05901731	4	BLT, HEX-FLG 0.25-20X0.75 GR5 ZB500
9	06308400	2	WSHR-LK .25X.062 REG YWZC
10	06830000	8	RVT-POP .195 PLASTIC
11	07400111	4	SCR-TAP .25-20X.75 HWH TR YWZ
12	07400119	12	SCR-HEX .312-14X.75 H/L
13	07500402	2	PLUG, HOLE .750-BLACK

FUEL SYSTEM – NON-CARB

Model 915220, 222, 223

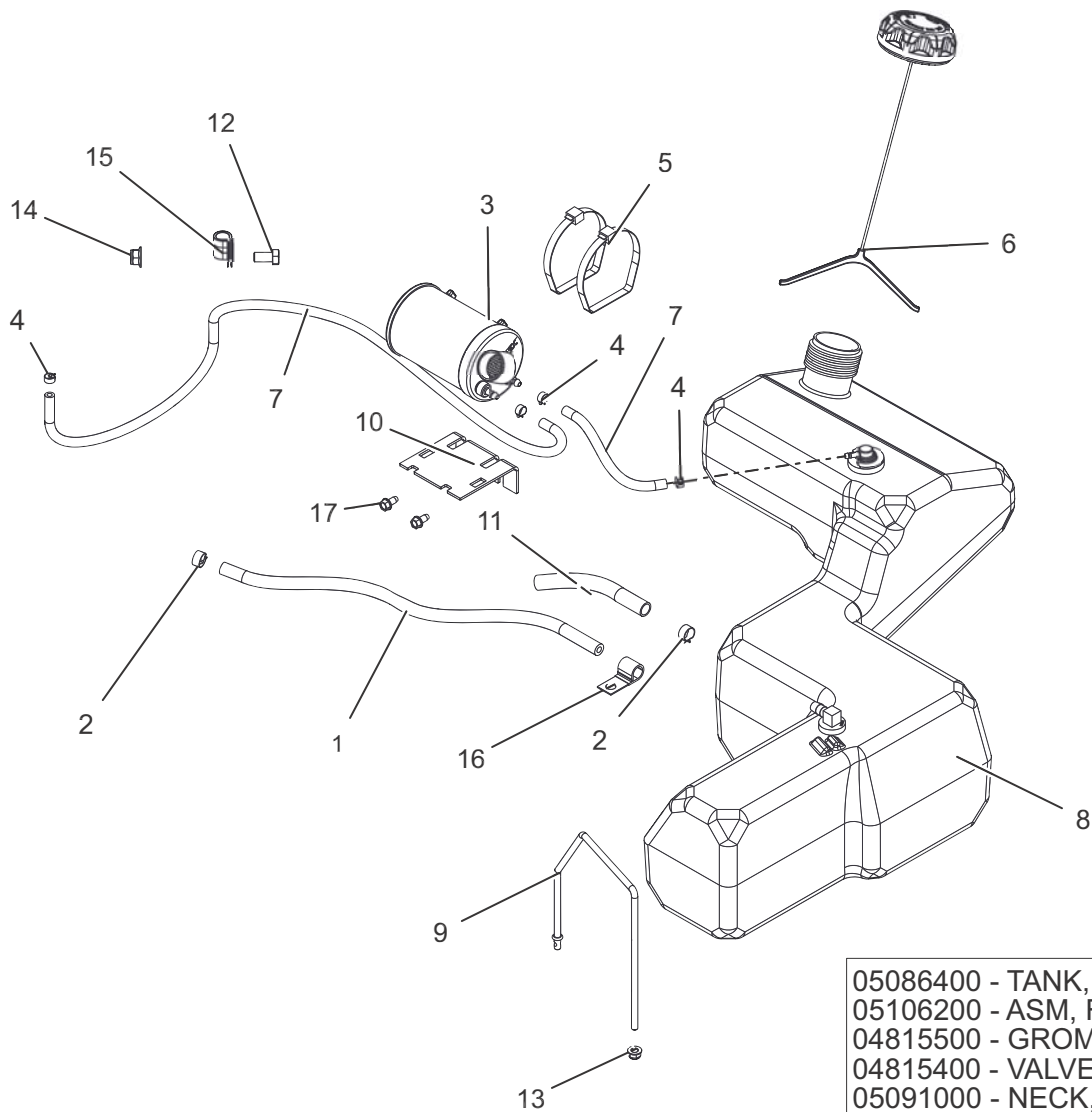


05086400 - TANK, IKON FUEL
 05106200 - ASM, FUEL PICK-UP
 04815500 - GROMMET, 2-WAY
 04815400 - VALVE, 2-WAY
 05091000 - NECK, FALSE FILL

BOM ID	Number	Qty	Description
1	05086600	1	ASM, FUEL TANK IKON
2	03278100	1	.25 LOW PERM FUEL X 22.0 LG - FUEL PICK-UP TO ENGINE
3	03278800	2	CLAMP, FUEL LINE
4	03375900	1	.188 ID LOW-PERM X 39.0 LG - TANK VENT TO ENGINE
5	04097700	2	CLAMP - HOSE, SPRING .188
6	04589200	1	CAP, FUEL VENT-IN 2.25" RATCHET
7	05099867	1	BRKT, FUEL
8	05118500	1	SLEEVE, ANTI ABRASION .5" X .064" WALL
9	05959400	1	BOLT, HEX 0.375-16X0.75 GR5
10	06500012	1	NUT-LK-NYL-FLG .25-20 YWZC
11	06545500	1	NUT-LK-NYL-FLG .38-16 YWZC
12	06908200	1	CLAMP, CUSHIONED STEEL

FUEL SYSTEM – CARB

Models 9152224, 225

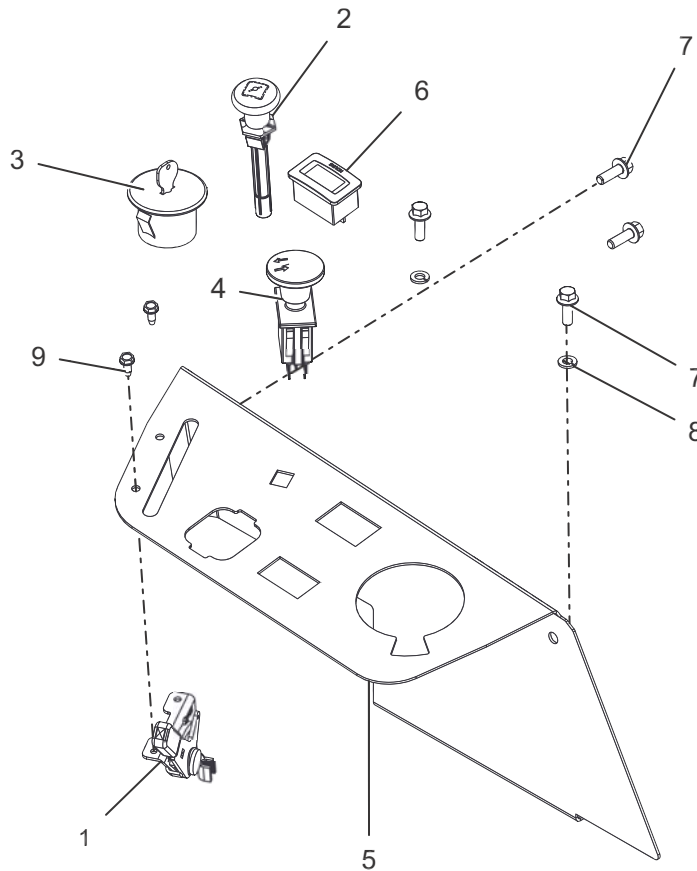


05086400 - TANK, IKON FUEL
 05106200 - ASM, FUEL PICK-UP
 04815500 - GROMMET, 2-WAY
 04815400 - VALVE, 2-WAY
 05091000 - NECK, FALSE FILL

BOM ID	Number	Qty	Description
1	03278100	1	.25 LOW PERM FUEL X 22.0 LG - FUEL PICK-UP TO ENGINE
2	03278800	2	CLAMP, FUEL LINE
3	04082500	1	CARBON CANISTER, 300CC
4	04097700	4	CLAMP - HOSE, SPRING .188
5	04102900	2	P-PLASTIC TIE STRAP LARGE
6	04589200	1	CAP, FUEL VENT-IN 2.25" RATCHET
7	04745900	2	HOSE, .188 30R7 BULK
8	05086600	1	ASM, FUEL TANK IKON
9	05099867	1	BRKT, FUEL
10	05107351	1	BRKT, MOUNT
11	05118500	1	SLEEVE, ANTI ABRASION .5" X .064" WALL
12	05959400	1	BOLT, HEX 0.375-16X0.75 GR5
13	06500012	1	NUT-LK-NYL-FLG .25-20 YWZC
14	06545500	1	NUT-LK-NYL-FLG .38-16 YWZC
15	06908200	1	CLAMP, CUSHIONED STEEL
16	06916000	1	J-CLAMP
17	07400034	2	SCR-TAP .25-20X.50 HWH TR YWZ

CONTROL PANEL

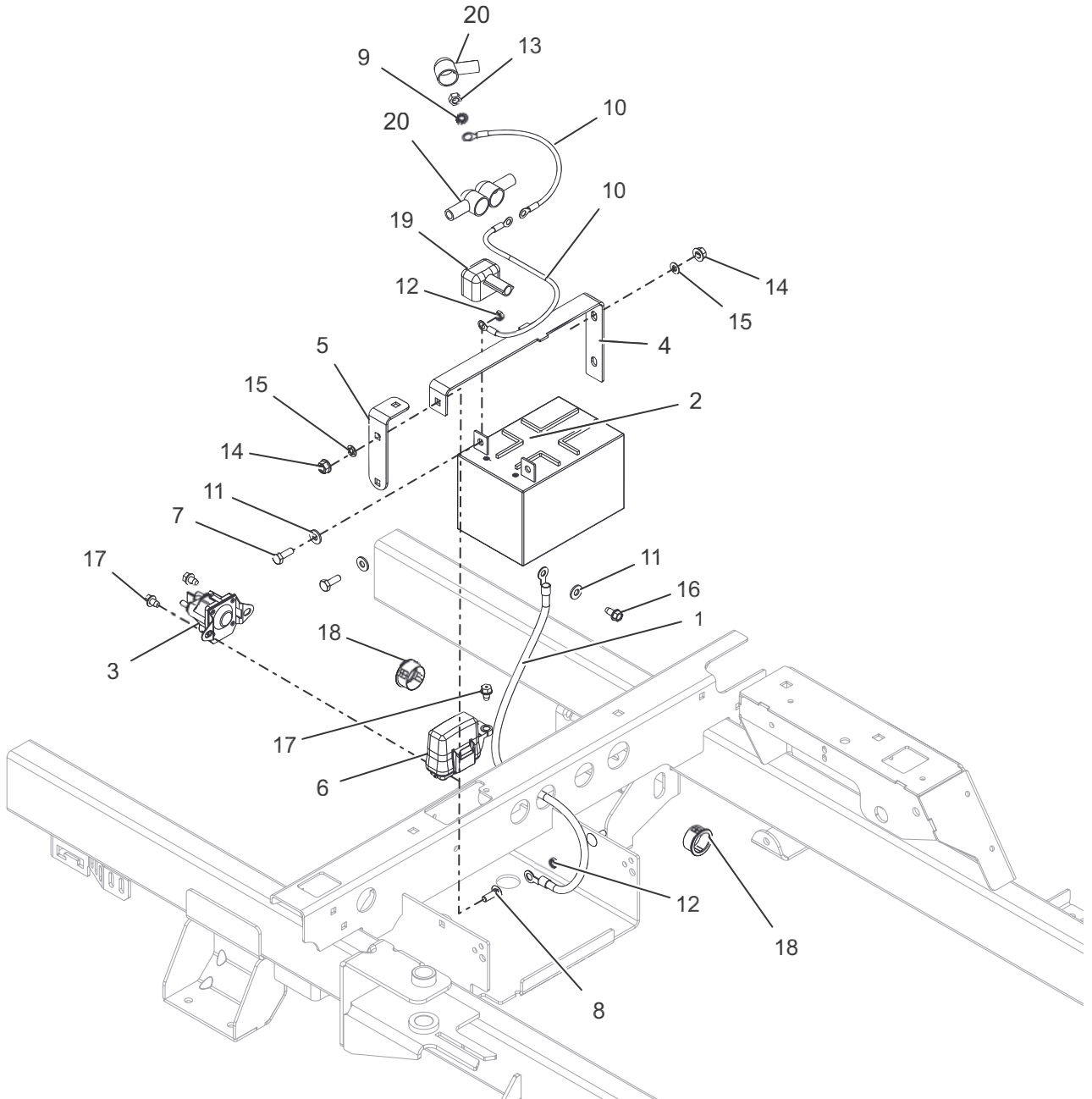
Models All



BOM ID	Number	Qty	Description
1	06900620	1	CABLE, THROTTLE 90DEG 33"
2	06900621	1	CABLE, CHOKE
3	03290500	1	KEY, SWITCH
4	04399600	1	SWITCH, CLUTCH YELLOW(W/GRAPHIC)
5	05080859	1	PANEL, RIGHT SIDE FENDER MOUNT (ORANGE)
6	05126400	1	HOUR, METER
7	05901731	4	BLT, HEX-FLG 0.25-20X0.75 GR5 ZB500
8	06308400	2	WSHR-LK .25X.062 REG YWZC
9	07415800	2	SCR-TAP 10-24X.50 HWH TR YWZC

ELECTRICAL

Model All

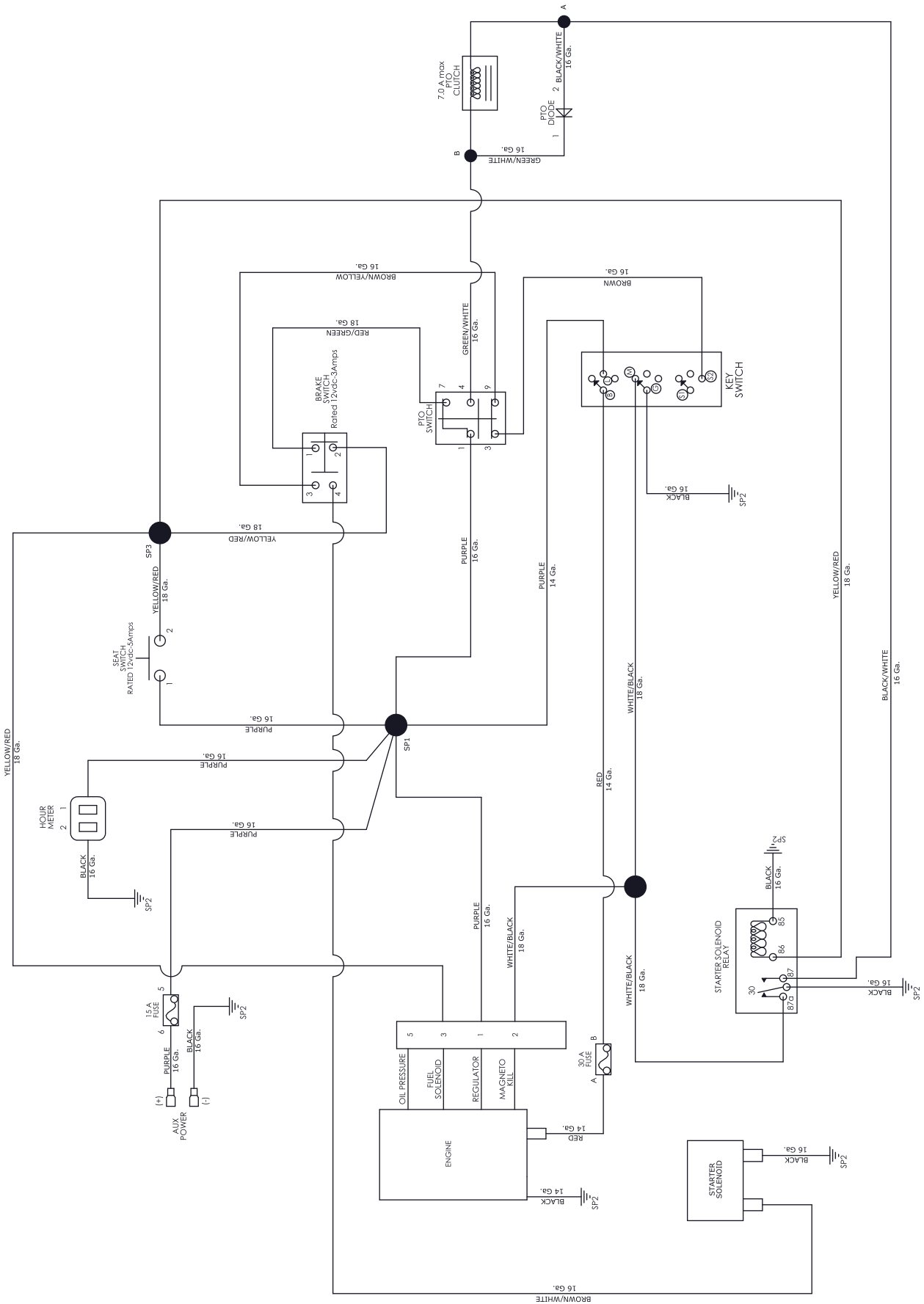


BOM ID	Number	Qty	Description
1	03288100	1	CABLE, NEGATIVE BATTERY 24"
2	04738800	1	BATTERY, 12V 12A-190CCA
3	04781700	1	SOLENOID, STARTER (SEALED)
4	04794651	1	BRKT, BATTERY
5	04833651	1	BRKT, BATTERY
6	04974400	1	HARNESS, WIRE
7	05946800	2	BOLT, HEX 0.25-20X0.75 GR5
8	06219900	2	BOLT, CARRIAGE 0.25-20X0.75 GR5
9	06306800	1	@, WSHR-LK-EXT.262X.502X.026 YWZC
10	04787400	2	CABLE, POS BAT 15.00"
11	06437300	3	WSHR-FL-STL.281X.62X.065 YWZC

BOM ID	Number	Qty	Description
12	06500704	2	NUT-KEPS 10-24
13	06533200	1	NUT-HEX .25-20 YWZC
14	06543500	2	NUT, LK-TOP-FLG .25-20 YWZC
15	07027600	2	NUT, PUSH .25X.50 O.D.
16	07400034	1	SCR-TAP .25-20X.50 HWH TR YWZ
17	07411600	3	SCR-TAP .25-20X.37 HWH YWZ TR
18	07500308	2	BSHG, PANEL SNAP .937X1.109X.56
19	07505700	1	INSULATOR
20	07533200	3	BOOT, EYELET TERMINAL

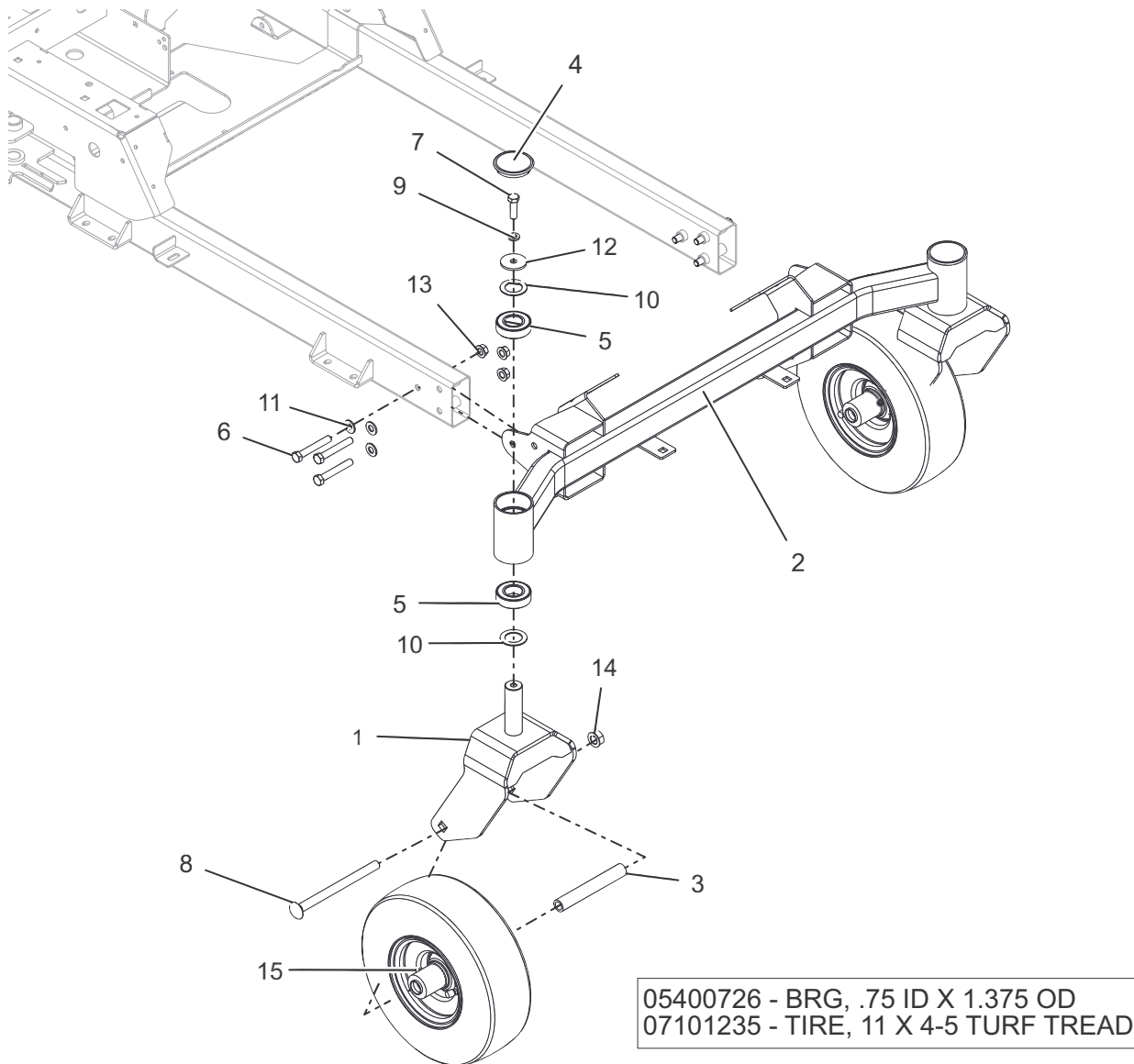
WIRING DIAGRAM

Model All



FRONT CASTER WHEELS

Model All

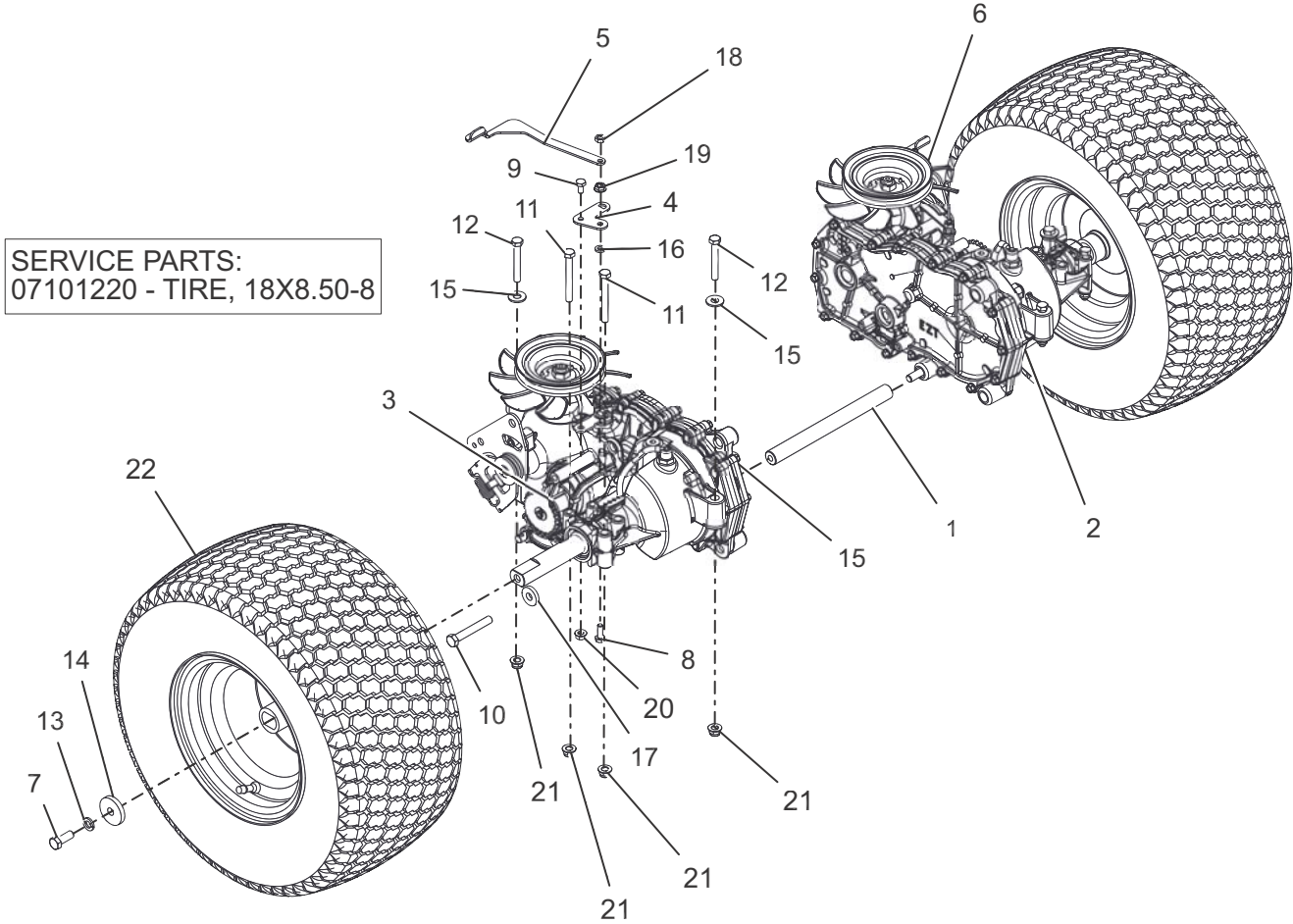


05400726 - BRG, .75 ID X 1.375 OD
07101235 - TIRE, 11 X 4-5 TURF TREAD

BOM ID	Number	Qty	Description
1	04736659	2	WLDMT, CASTER FORK
2	04968659	1	WLDMT, AXLE FRONT
3	00278500	2	SPCR, ROLLED WHEEL
4	04792200	2	CAP, DUST
5	05400722	4	BRG-BALL 1.00X2.00X.56
6	05901601	6	BOLT, HEX 0.375-16X2.5 GR8
7	05958000	2	BOLT, HEX 0.375-16X1.25 GR5
8	06200219	2	BOLT, CARRIAGE 0.5-13X6.5 GR5
9	06308800	2	WSHR-LK .38X.094 REG YWZC
10	06416600	4	WSHR, HRD THRS 1.007X1.542X.062
11	06439900	6	WSHR-HDND .406X.812X.075
12	06443400	2	WSHR-FL-STL .380X1.50X.125 YWZC
13	06500736	6	NUT, LK-TOP-FLG .38-16 GRG YWZC
14	06543600	2	NUT, LK-TOP-FLG .50-13 YWZC
15	07101127	2	TIRE/WHEEL, 11 X 4-5

REAR TIRES AND TRANSAXLES

Model All



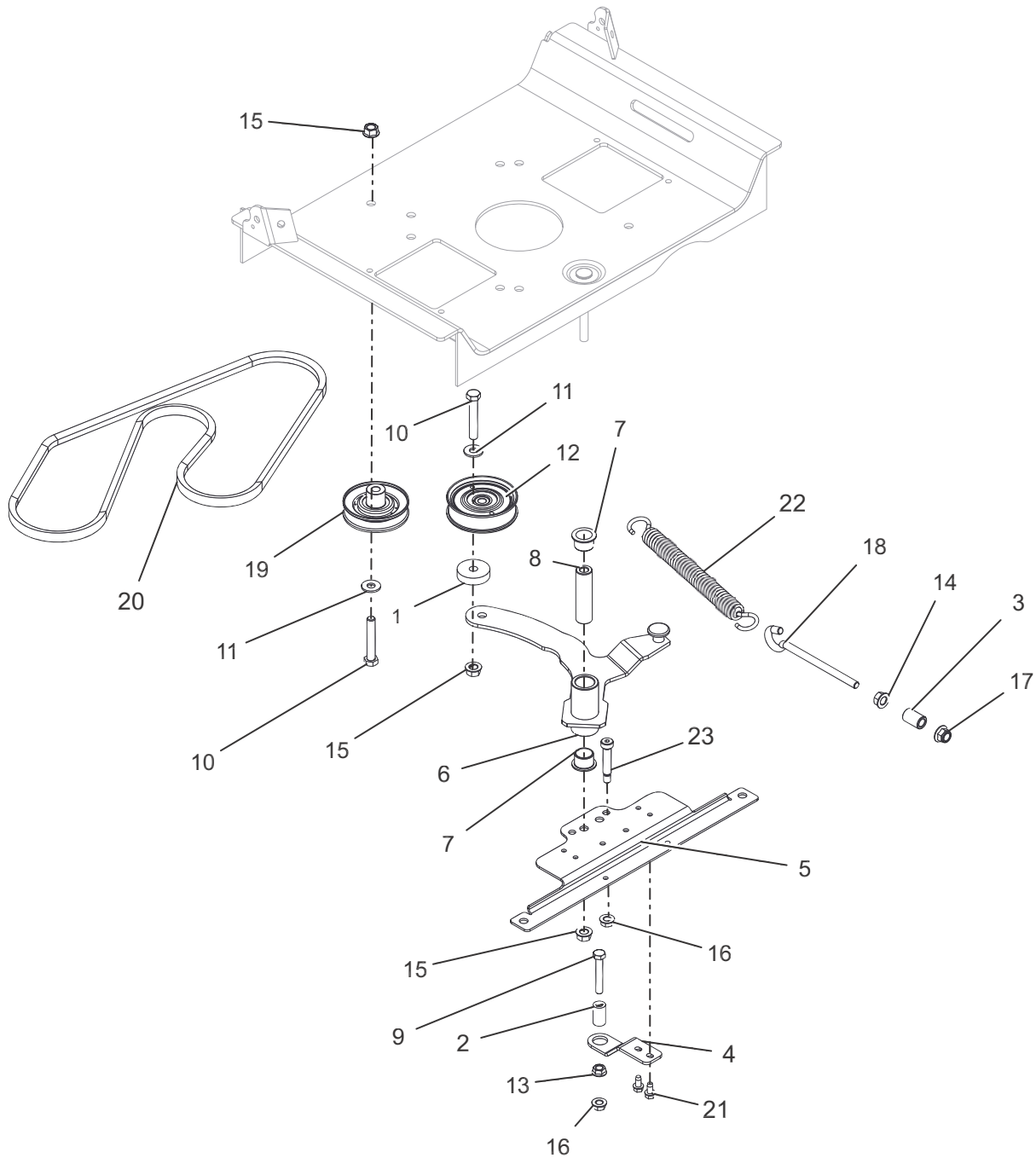
SERVICE PARTS:
07101220 - TIRE, 18X8.50-8

BOM ID	Number	Qty	Description
1	04788951	1	ROD, TRANSAXLE
2	04794700	1	TRANSAXLE, LH EZT D-SHAFT SHORT
3	04794800	1	TRANSAXLE, RH EZT D-SHAFT SHORT
4	04806851	2	BRKT, DUMP VALVE EXTENSION
5	04808551	1	BRKT, VALVE DUMP RH
6	04808651	1	BRKT, VALVE DUMP LH
7	05900013	2	BOLT, HEX 0.375-16X1 GR8
8	05946800	2	BOLT, HEX 0.25-20X0.75 GR5
9	05947900	2	BOLT, HEX 0.25-20X0.5 GR5
10	05958400	2	BOLT, HEX 0.375-16X2.5 GR5
11	05960600	4	BOLT, HEX 0.313-18X2.75 GR5
12	05963700	4	BOLT, HEX 0.313-18X2.25 GR5

BOM ID	Number	Qty	Description
13	06308800	2	WSHR-LK .38X.094 REG YWZC
14	06400006	2	WSHR-FL-STL .406X1.50X.245 YWZC
15	06435700	6	WSHR-FL-STL.38X.875X.083 YWZC
16	06439500	2	WASHER-FLAT-STL, .265 X .50 X .087
17	06444000	2	WSHR-FL-STL .406X1.00X.188 YWZC
18	06500635	2	NUT-LK-CTR-JAM .25-20 YWZC
19	06530100	2	@NUT-SPNLK-FLG .25-20 YWZC
20	06543500	2	NUT, LK-TOP-FLG .25-20 YWZC
21	06545400	8	NUT-LK-NYL-FLG .31-18 YWZC
22	07101130	2	ASSM TIREWHEEL,

TRANSAXLE DRIVE

Model All

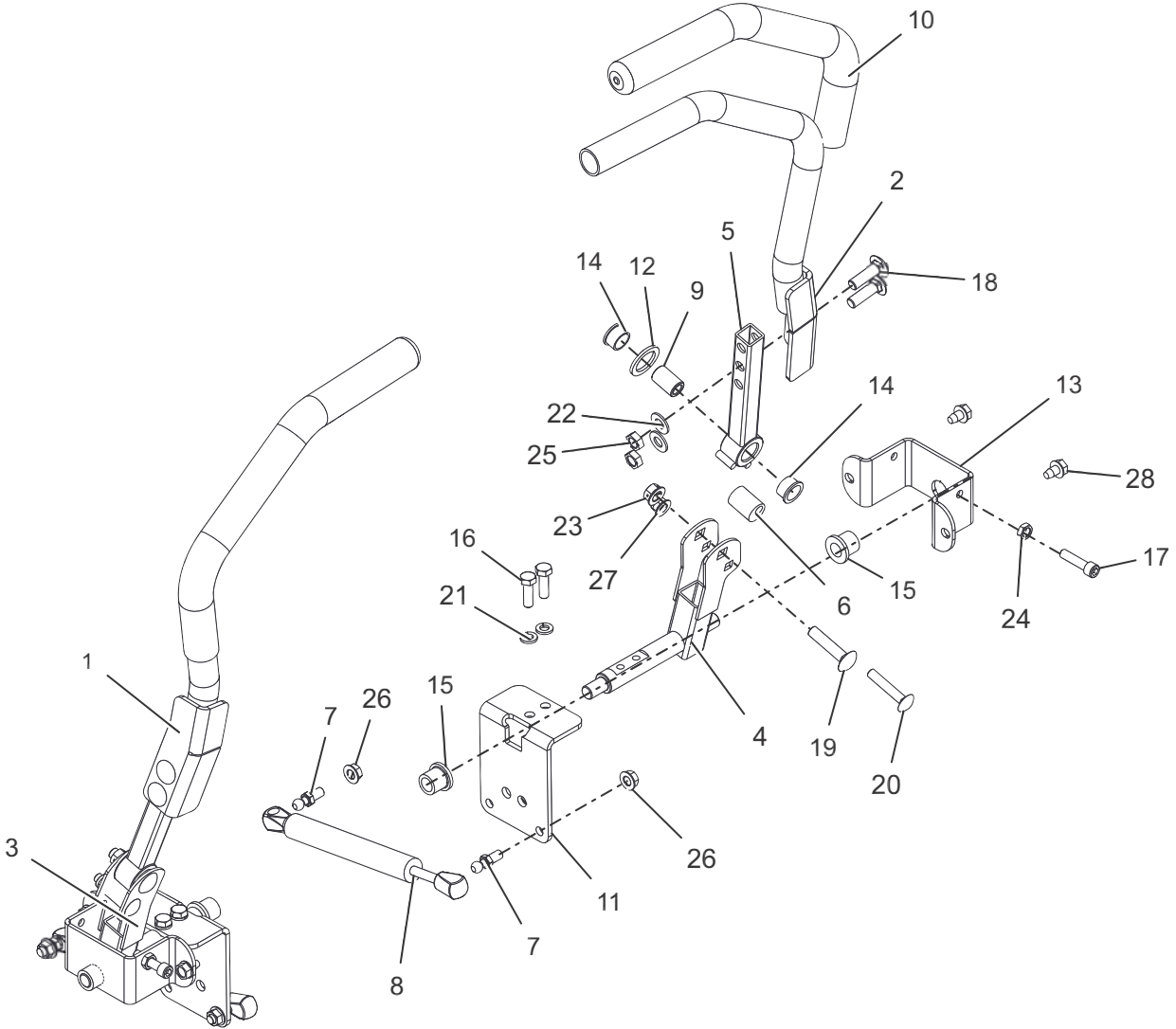


BOM ID	Number	Qty	Description
1	01594000	1	SPCR, .39X1.50X.380
2	03980200	1	SPCR, RUBBER 5/16 ID X 1.0 LG
3	04193500	1	SPCR, .375X.625X.970
4	04793951	1	BRKT, CLUTCH STOP
5	04875151	1	BRKT, DRIVE IDLER MTG
6	04890451	1	WLDMT, IDLER
7	05500039	2	BSHG, FLANGE 0.75 X 0.875 X 0.625 X 0.125
8	05501237	1	BSHG, SLV .380x.750x2.53
9	05957200	1	BOLT, HEX 0.313-18X2 GR5
10	05962900	2	BOLT, HEX 0.375-16X2.25 GR5
11	06435700	2	WSHR-FL-STL.38X.875X.083 YWZC
12	07340000	1	IDLER, FLAT - 3.05" X .75"

BOM ID	Number	Qty	Description
13	06530400	1	@NUT-SPNLK-FLG .312-18 YWZC
14	06534900	1	@NUT-SPNLK-FLG .375-16 YWZC
15	06542000	3	NUT, LK-TOP-FLG .38-16 YWZC
16	06543100	2	NUT, LK-TOP-FLG .312-18 YWZC
17	06545500	1	NUT-LK-NYL-FLG .38-16 YWZC
18	07001640	1	BOLT, EYE .38-16X6.00 .62 DIA
19	07345400	1	ASM, 3.00" V IDLER
20	07200718	1	V-BELT, A SECTION RAW EDGE
21	07400034	2	SCR-TAP .25-20X.50 HWH TR YWZ
22	08300507	1	SPRG, EXTENSION - SWIVEL
23	07070118	1	BLT-SHLDR .375X1.50X.31-18

CONTROLS

Model All

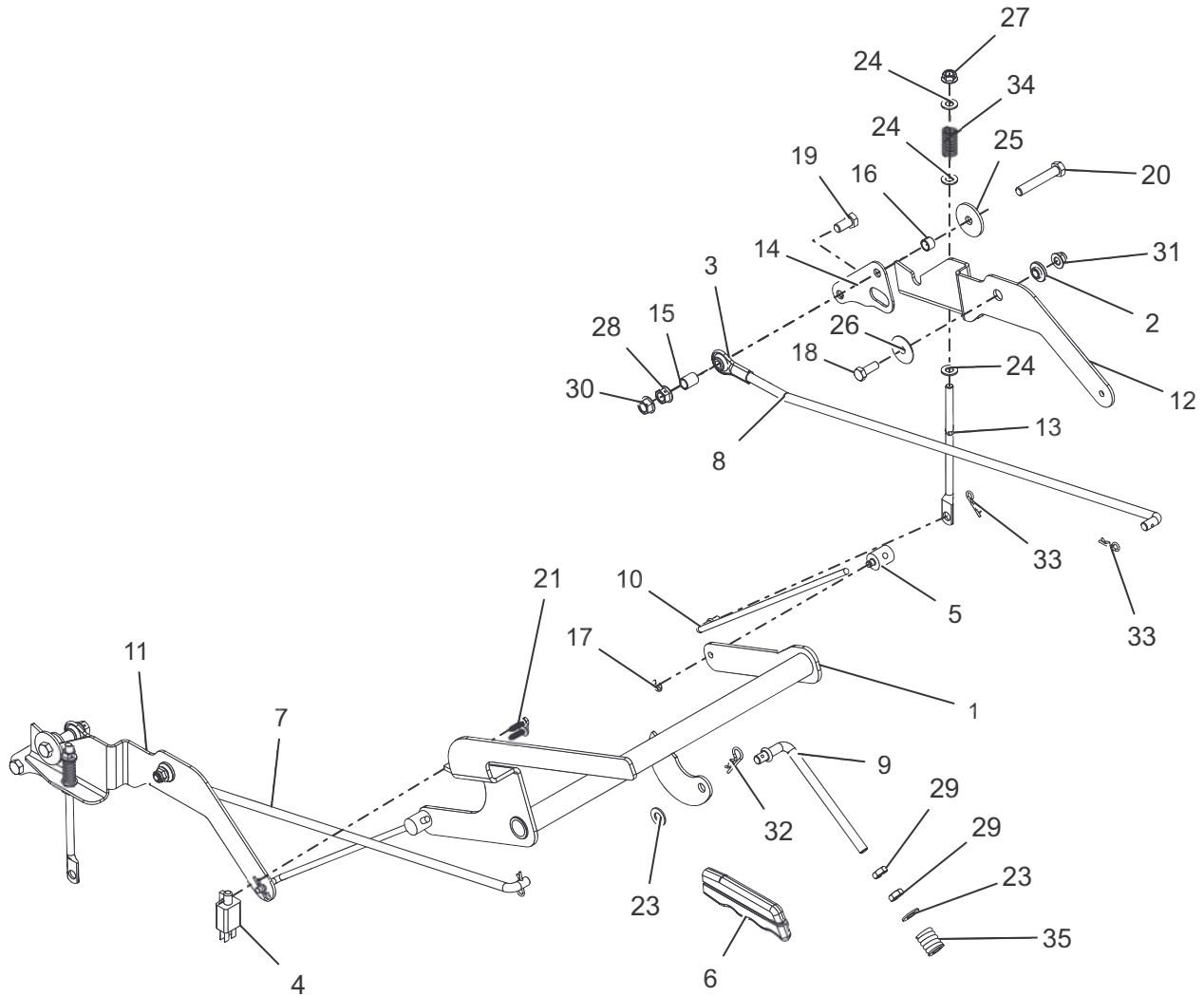


BOM ID	Number	Qty	Description
1	04796051	1	WLDMT, STEERING
2	04796151	1	WLDMT, STEERING
3	04959051	1	WLDMT, LOWER
4	04959151	1	WLDMT, LOWER
5	04959251	2	WLDMT, UPPER CONTROL ARM (BLACK)
6	00372300	2	BSHG, SPCR
7	03652200	4	STUD-BALL
8	03943800	2	DAMPER,
9	04193500	2	SPCR, .375X.625X.970
10	04257400	2	GRIP, HANDLEBAR 15" FOAM
11	04764151	2	BRKT, STEERING
12	04832600	2	WSHR, FRICTION .875X1.25X.10
13	04776401	2	BRKT, STEERING
14	05501017	4	BSHG,
15	05521100	4	BSHG, FLANGE .515 X .750 X .745 X 1.00 NYLON

BOM ID	Number	Qty	Description
16	05901311	4	BOLT, HEX 0.313-18X1 GR8
17	05901320	2	SHCS .312-18 X 1.25 GR8 YWZC
18	06200220	4	BTL,RHSSN .375-16 X 1.25 G5 RIE5230
19	06200221	2	BTL,RHSSN .375-16 X 1.75 G5 RIE5230
20	06200222	2	BTL,RHSSN .313-18 X 1.75 G5 RIE5230
21	06308600	4	WSHR-LK .31X.078 REG YWZC
22	06436200	4	WSHR-FL-STL.406X.812X.065 YWZ
23	06534800	2	NUT, LK-CTR-FLG .38-16 YWZC
24	06536100	2	NUT, JAM .312-18 YWZC
25	06537200	4	NUT-LK-CTR-JAM .375-16 YWZC
26	06543100	4	NUT, LK-TOP-FLG .312-18 YWZC
27	06545400	2	NUT-LK-NYL-FLG .31-18 YWZC
28	07411500	4	SCR-TAP .31-18X.50 HWH TR YWZ

PARKING BRAKE

Model All

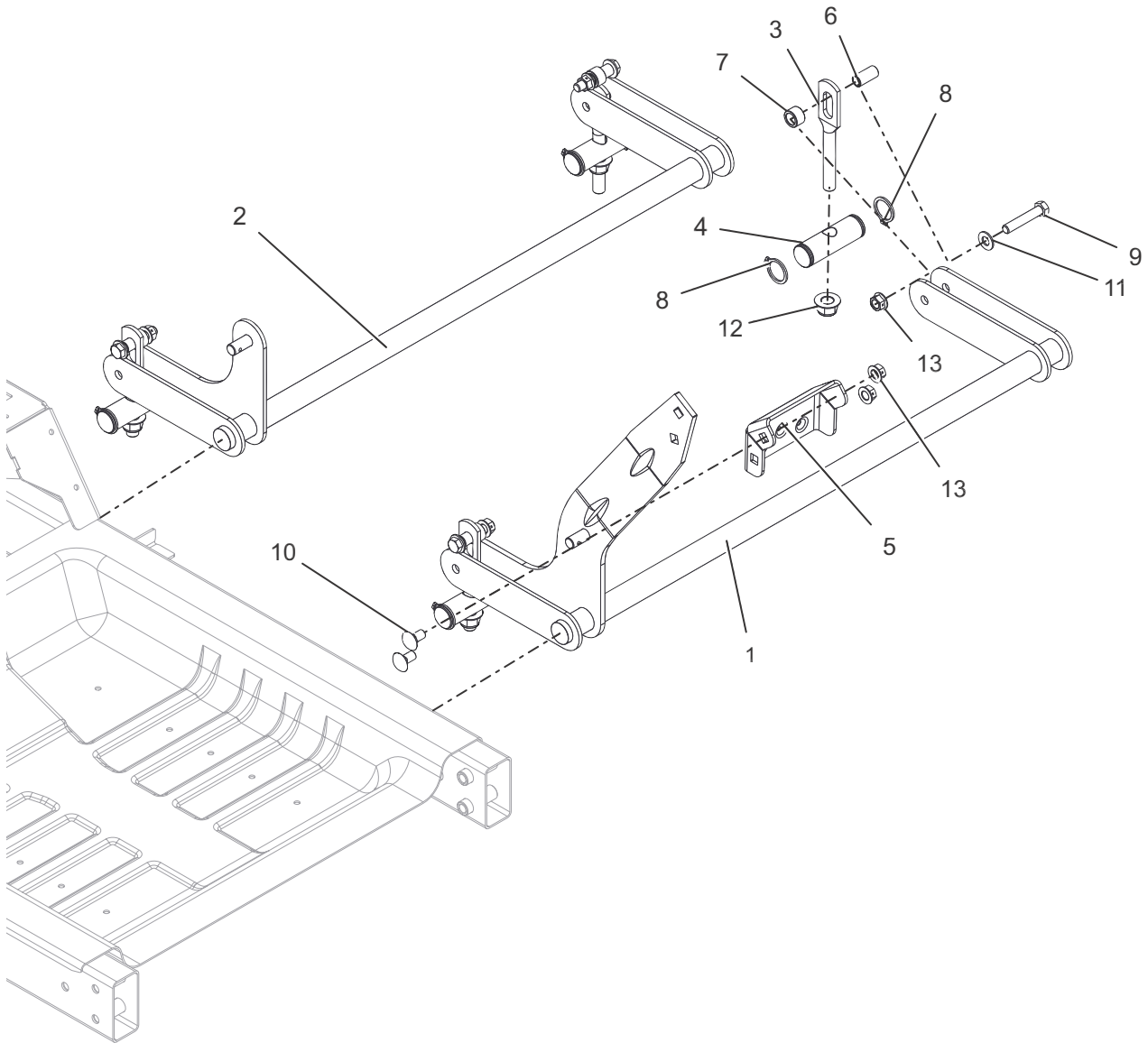


BOM ID	Number	Qty	Description
1	04787851	1	WLDMT, BRAKE
2	01305900	2	BSHG, FLG .325X.499X.26X.88
3	03563100	2	ROD END, .38 RH
4	03606600	1	SWITCH- DOUBLE POLE N.O./N.O.
5	03764800	2	TRUNION, 1/4-20
6	03826900	1	GRIP, PARKING BRAKE (YELLOW)
7	04778700	1	LINK, RH
8	04778800	1	ROD, STEERING
9	04787900	1	LINK, OVER
10	04788000	2	LINK, BRAKE
11	04788100	1	INTERLOCK, RH
12	04788100	1	INTERLOCK, LH
13	04790600	2	LINK, BRAKE
14	04799351	2	PLATE, TRANSAXLE
15	05501226	2	SPCR, .385X.500X.652
16	05501235	2	SPCR, .385X.500X.350
17	05700125	2	RING, RETAINING-E .25X.025
18	05947800	2	BOLT, HEX 0.313-18X0.875 GR5

BOM ID	Number	Qty	Description
19	05959400	2	BOLT, HEX 0.375-16X0.75 GR5
20	05962900	2	BOLT, HEX 0.375-16X2.25 GR5
21	06100216	2	SCR-TAP #12X.75 BOSS INDHXHD
23	06436200	2	WSHR-FL-STL.406X.812X.065 YWZ
24	06437200	6	WSHR-FL-STL.344X.688X.065YWZC
25	06443400	2	WSHR-FL-STL .380X1.50X.125 YWZC
26	06446900	2	WSHR-FL-STL .347X1.254X.048 YWZC
27	06528700	2	NUT, LK-CTR-FLG .31-18 YWZC
28	06534800	2	NUT, LK-CTR-FLG .38-16 YWZC
29	06535900	2	NUT, JAM .375-16 YWZC
30	06542000	2	NUT, LK-TOP-FLG .38-16 YWZC
31	06545400	2	NUT-LK-NYL-FLG .31-18 YWZC
32	06700002	1	PIN, HAIR .09 X 1.50 YWZC
33	06713500	4	PIN, HAIR INT .08X.18X1.18 YWZC
34	08300028	2	SPRG, COMPRESSION
35	08320900	1	SPRG, COMPRESSION

DECK LIFT

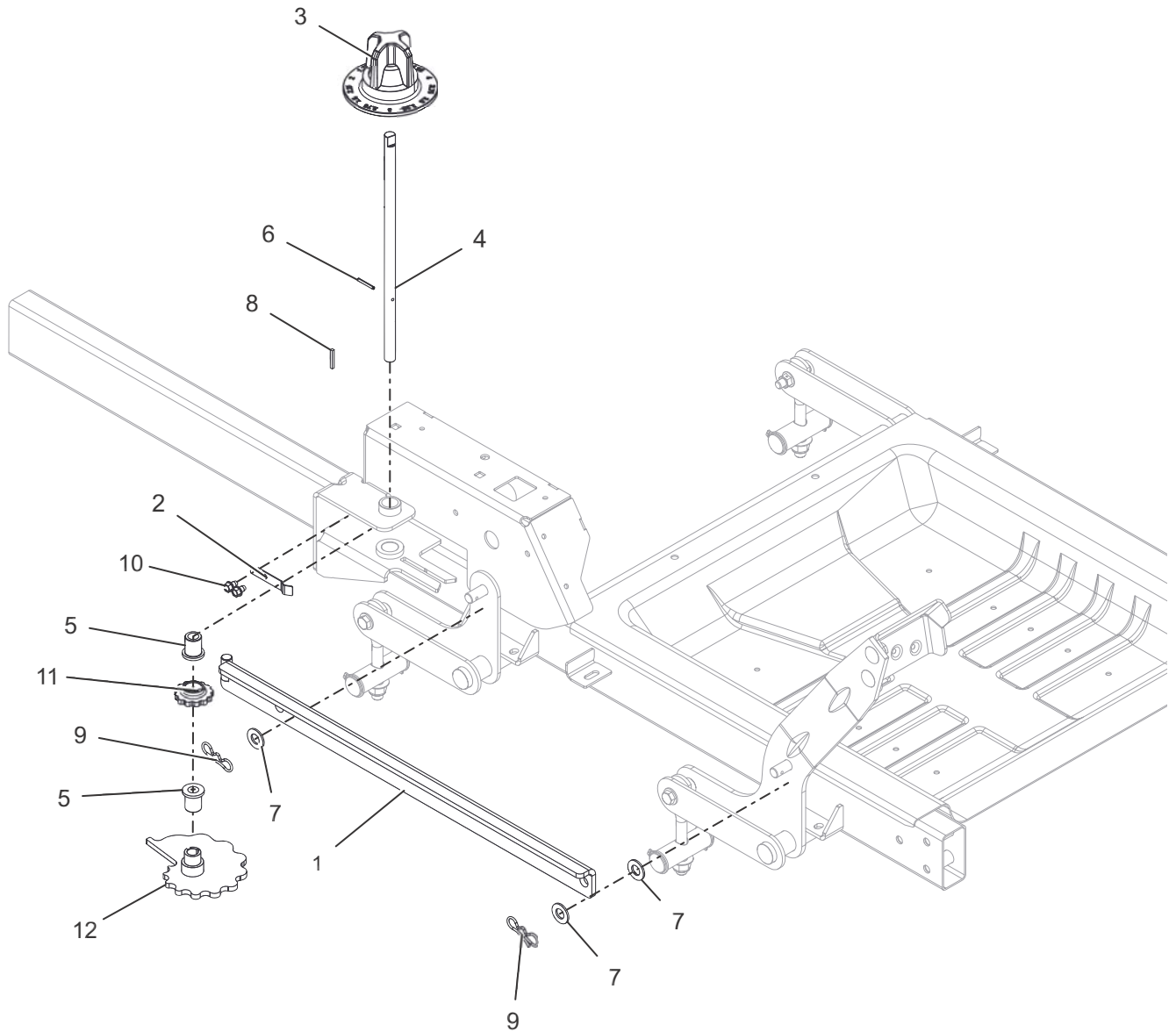
Model All



BOM ID	Number	Qty	Description
1	04778259	1	WLDMT, FRONT DECK LIFT PIVOT (ORANGE)
2	04778359	1	WLDMT, REAR DECK LIFT PIVOT (ORANGE)
3	04778400	4	LINK, DECK
4	04795500	4	SHAFT, DECK
5	04869259	1	PEDAL, DECK LIFT (BOLT ON) (ORANGE)
6	05500106	4	BSHG, SLV .385 X .500 X 1.045
7	05500107	4	BSHG, SLV .510 X .751 X .475
8	05707300	8	RG-RTNG-EXT 1.00X.078
9	05963100	4	BOLT, HEX 0.375-16X2 GR8
10	06200225	2	BTL,RHSN .375-16 X 0.75 G5 RIE5230
11	06436200	4	WSHR-FL-STL.406X.812X.065 YWZ
12	06500010	4	NUT-LK-NYL-FLG .50-13 YWZC
13	06534800	6	NUT, LK-CTR-FLG .38-16 YWZC

HEIGHT OF CUT

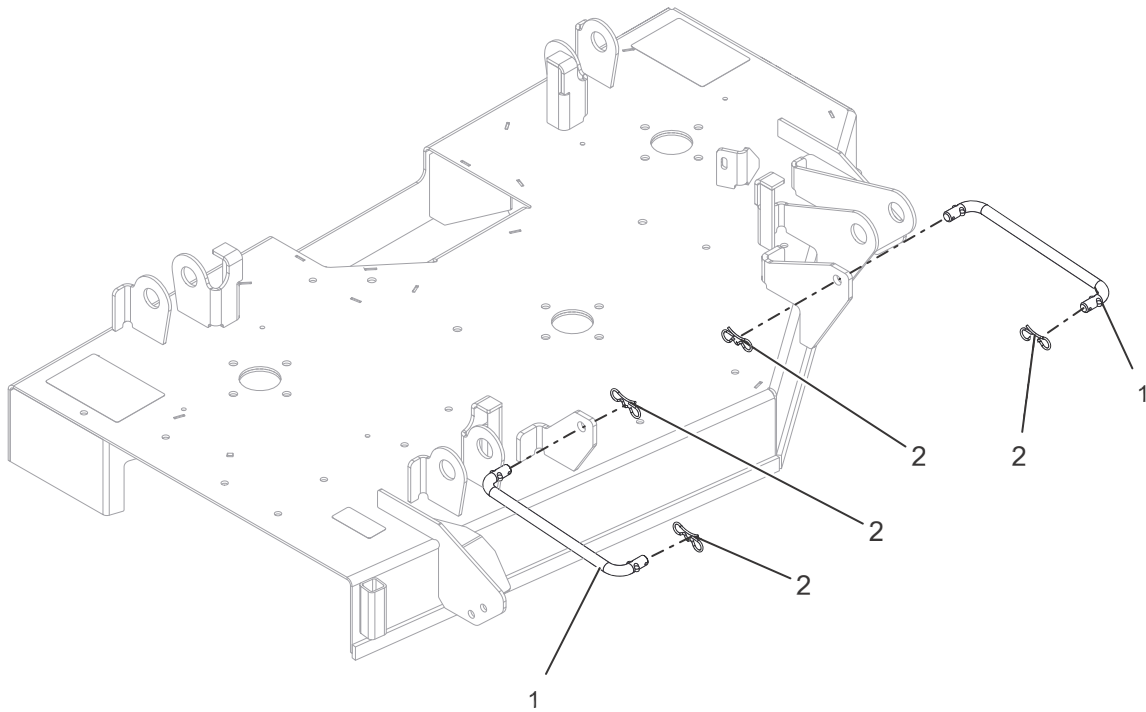
Model All



BOM ID	Number	Qty	Description
1	04741759	1	WLDMT, HOC LINK (ORANGE)
2	04742100	1	ARM, HOC DETENT
3	05091700	1	KNOB, HOC DIAL
4	05091900	1	CAMSHAFT,
5	05501218	2	BUSHING, FLANGE .503X.75X.875X1.0
6	05800900	1	PIN-ROLL .125X1.00
7	06443300	3	WSHR-FL-NYL .518X1.00X.08
8	06600211	1	KEY, 1/8 X 1/8 X 1.0 REV
9	06700201	2	PIN, BOWTIE LOCKING .091X1.875
10	07411600	2	SCR-TAP .25-20X.37 HWH YWZ TR
11	07500319	1	CAM, HOC INDEX
12	04741800	1	WLDMT, HOC CAM

DECK MOUNT

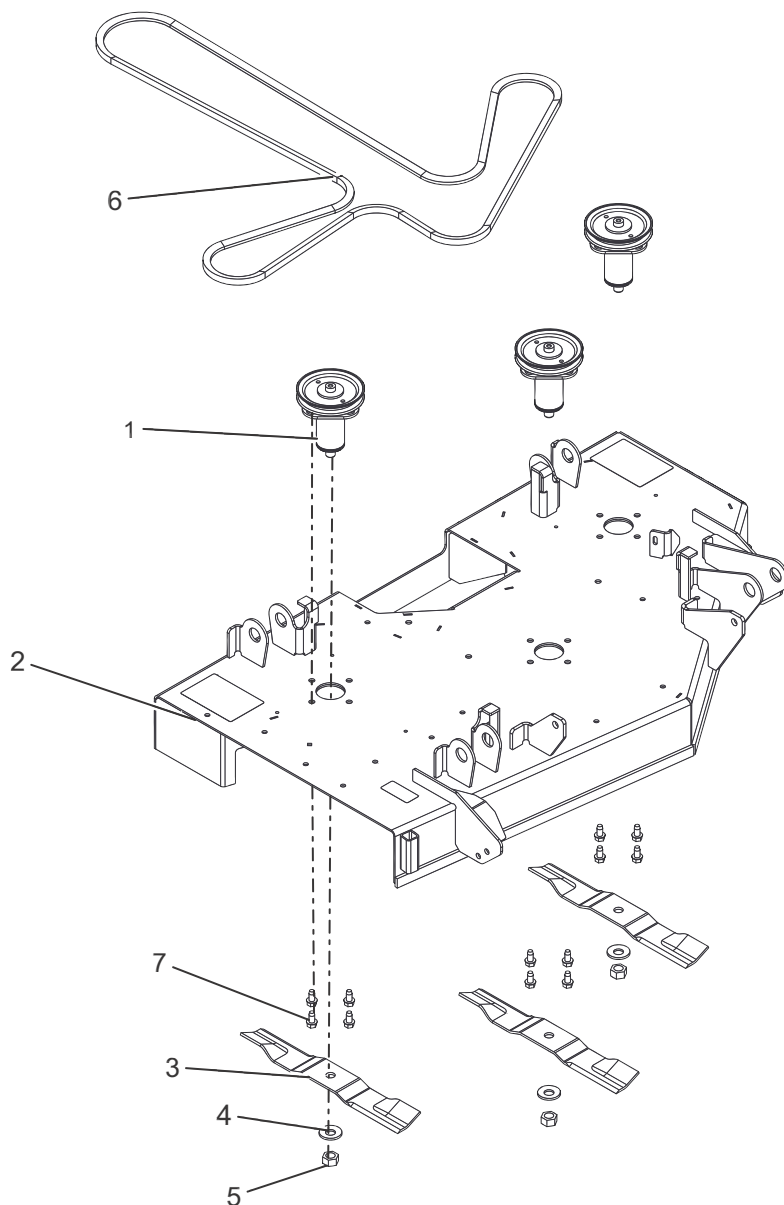
Model All



BOM ID	Number	Qty	Description
1	02004500	2	LINK, DRAG
2	06700201	4	PIN, BOWTIE LOCKING .091X1.875

DECK, BELT, BLADES AND SPINDLES – 42 INCH

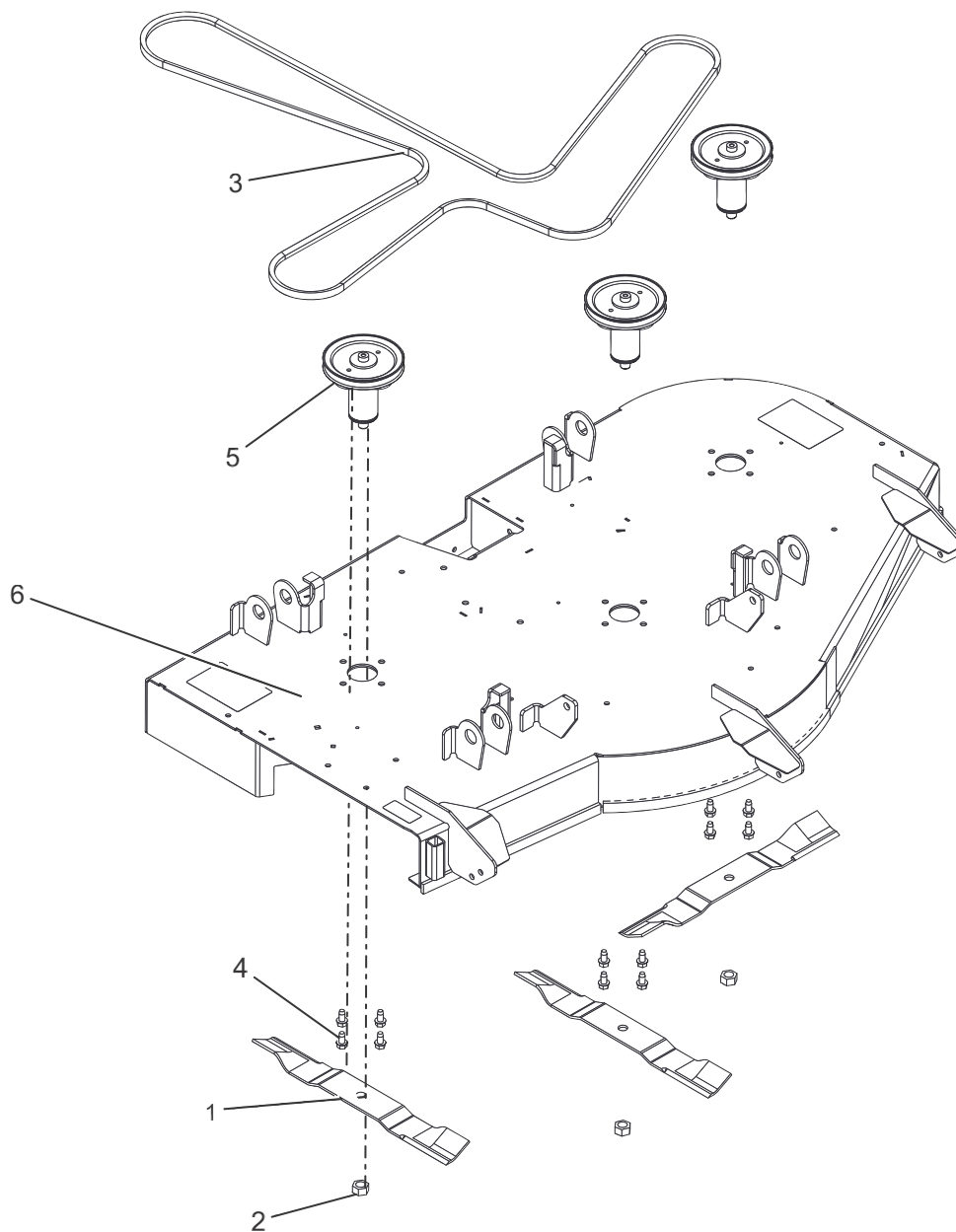
Model 915220, 224



BOM ID	Number	Qty	Description
1	51527900	3	ASM, SPINDLE
2	51528100	1	WLDMT, DECK
3	04769800	3	BLADE, MOWER
4	06445700	3	WSHR, BLVL-.63X1.625X.14
5	06500630	3	NUT-HEX .62-18 YWZC
6	07200523	1	V-Belt, HA-WRAPPED CLUTCHING (NO RUBBER BLEED THRU)
7	07415400	12	SCR-TAP .38-16X.75 HWH TR YWZ

DECK, BELT, BLADES AND SPINDLES – 52 INCH

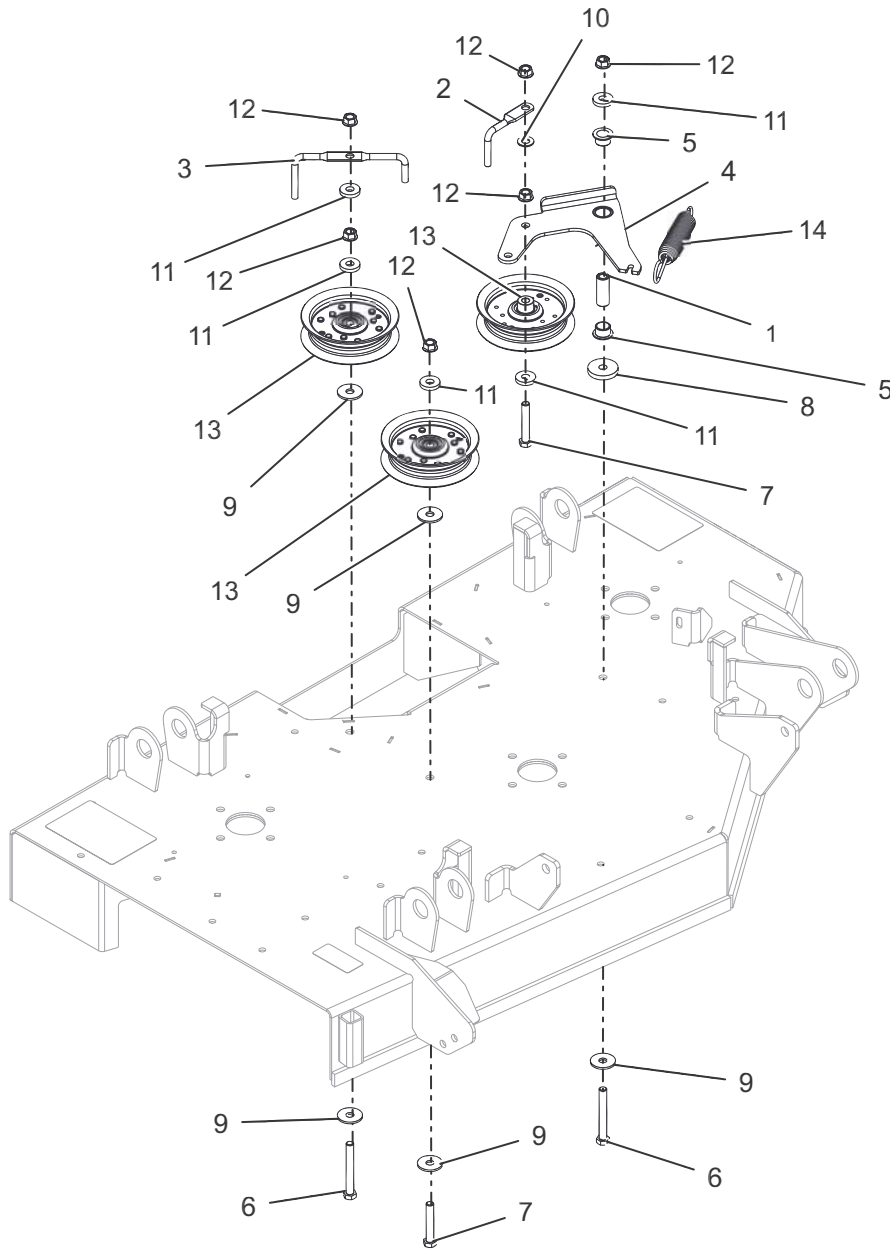
Model 915222, 223, 225



BOM ID	Number	Qty	Description
1	04771200	3	BLADE, 18" - 20 DEG .5 OFFSET
2	06500630	3	NUT-HEX .62-18 YWZC
3	07200023	1	V-BELT, HA-WRAPPED
4	07415400	12	SCR-TAP .38-16X.75 HWH TR YWZ
5	51528000	3	ASM, SPINDLE
6	51528300	1	WLDMT, DECK

IDLERS AND SHEAVES – 42 INCH

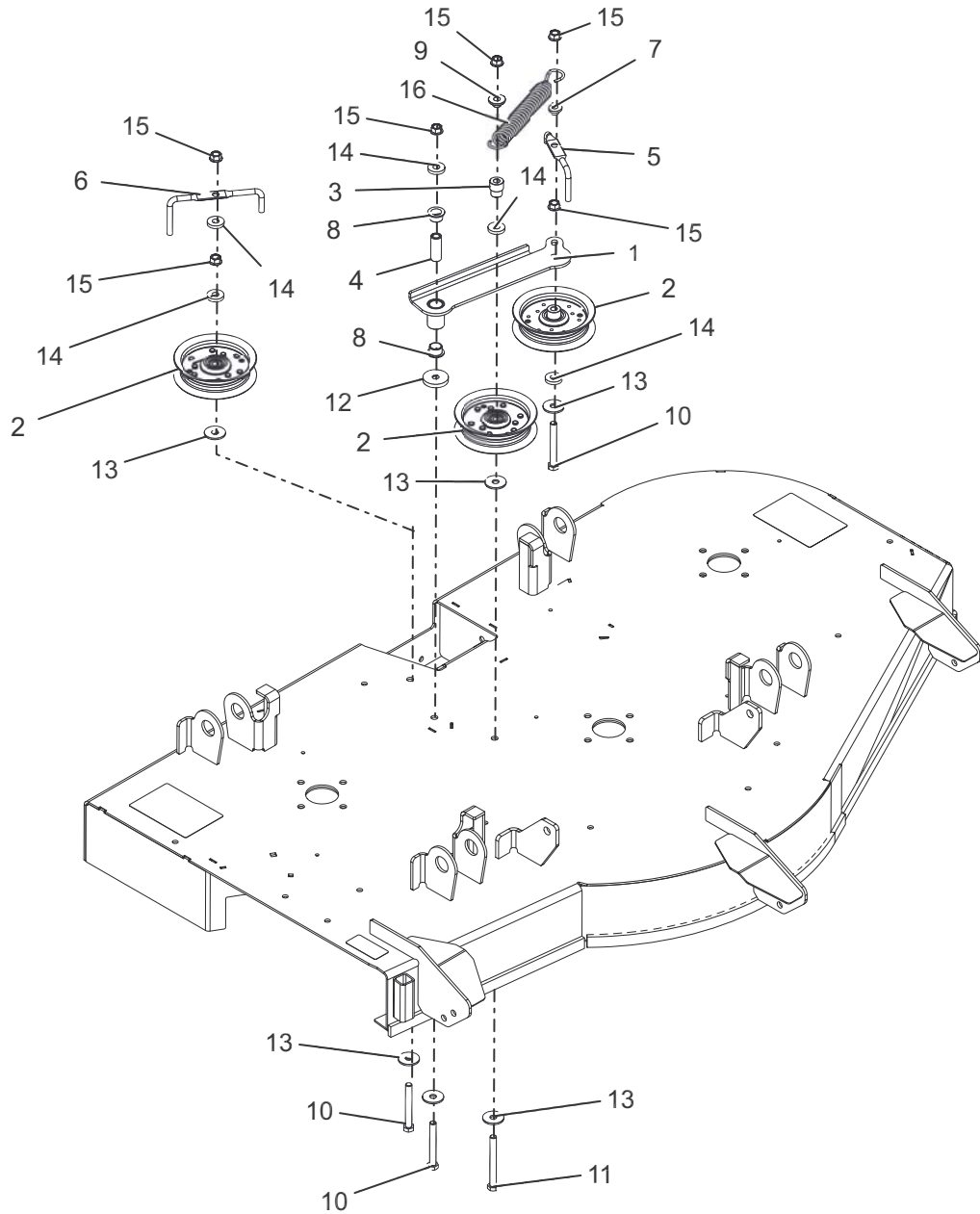
Model 915220, 224



BOM ID	Number	Qty	Description
1	03763400	1	SPCR, .375IDX.625ODX1.66 PM
2	03828859	1	WIREFORM, BELT FINGER
3	03974100	1	FINGER, BELT
4	04773359	1	WLDMT, IDLER ARM (ORANGE)
5	05500907	2	BSHG, FLANGE
6	05958300	2	BOLT, HEX 0.375-16X3 GR5
7	05962900	2	BOLT, HEX 0.375-16X2.25 GR5
8	06400006	1	WSHR-FL-STL .406X1.50X.245 YWZC
9	06400917	5	WSHR-FL-STL .406X1.25X.10 YWZC
10	06436200	1	WSHR-FL-STL.406X.812X.065 YWZ
11	06444000	5	WSHR-FL-STL .406X1.00X.188 YWZC
12	06542000	6	NUT, LK-TOP-FLG .38-16 YWZC
13	07300039	3	ASM, IDLER 4"
14	08320300	1	SPRG, EXTENSION

IDLERS AND SHEAVES – 52 INCH

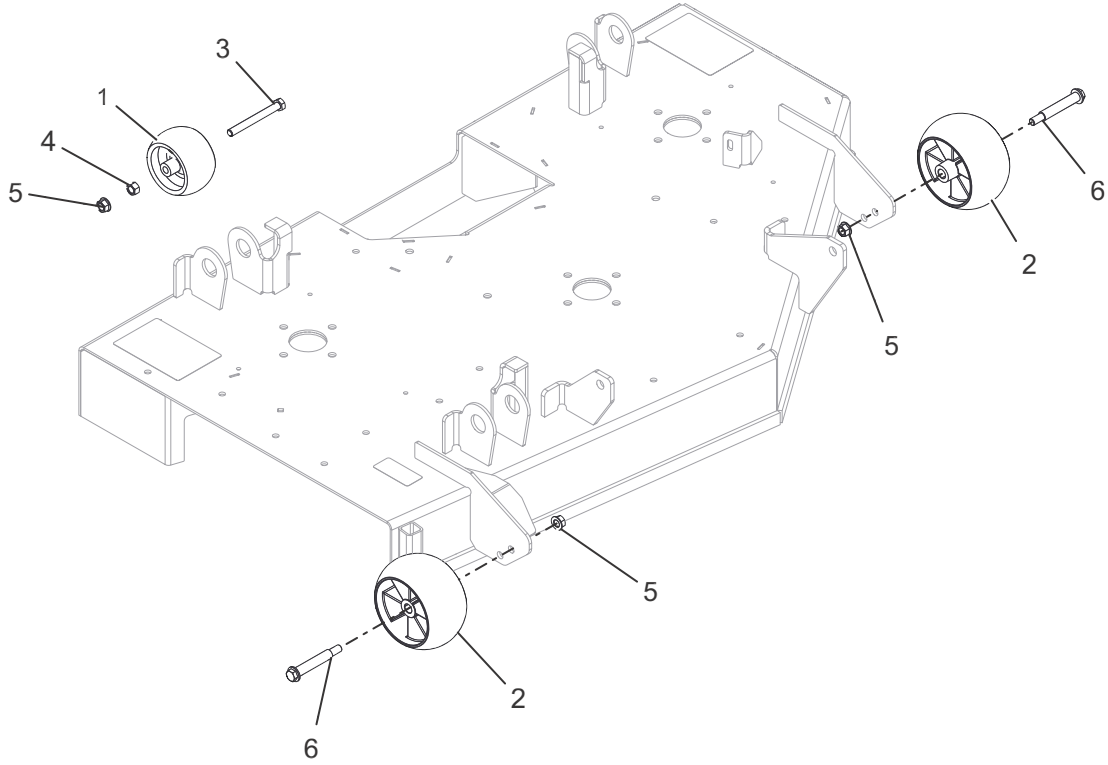
Model 915222, 223, 225



BOM ID	Number	Qty	Description
1	04795659	1	WLDMT, IDLER - 52" IDLER ARM
2	07300039	3	ASM, IDLER 4"
3	00679300	1	BUSHING, IDLER
4	03763400	1	SPCR, .375IDX.625ODX1.66 PM
5	03856859	1	WIREFORM, BELT FINGER-ORANGE
6	03974100	1	FINGER, BELT
7	05500435	1	BSHG, FLG .385 X .500 X .875 X .406
8	05500907	2	BSHG, FLANGE
9	05501028	1	BSHG-FLG .385X.500X.875X.31
10	05958300	3	BOLT, HEX 0.375-16X3 GR5
11	05960900	1	BOLT, HEX 0.375-16X3.5 GR5
12	06400006	1	WSHR-FL-STL .406X1.50X.245 YWZC
13	06400917	6	WSHR-FL-STL .406X1.25X.10 YWZC
14	06444000	5	WSHR-FL-STL .406X1.00X.188 YWZC
15	06542000	6	NUT, LK-TOP-FLG .38-16 YWZC
16	08320300	1	SPRG, EXTENSION

ANTI-SCALP ROLLERS – 42 INCH

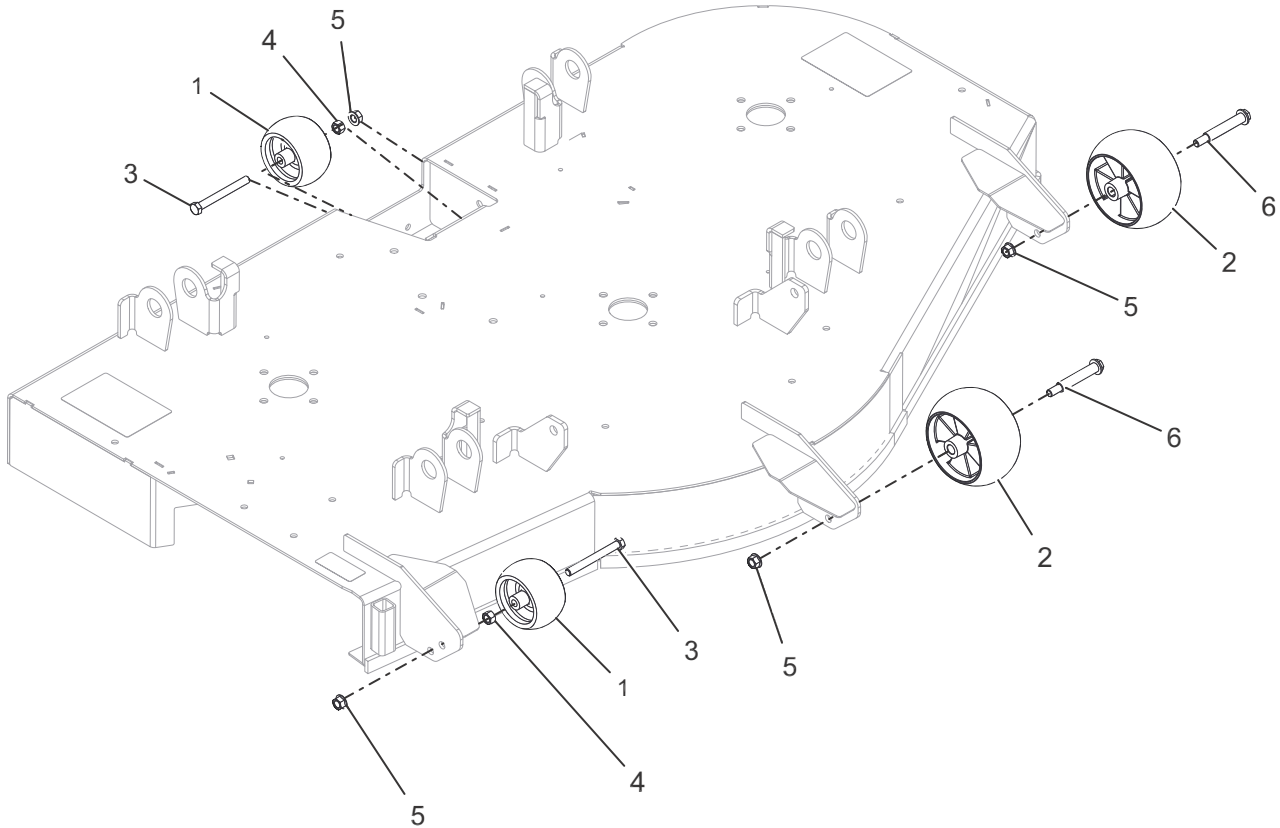
Model 915220, 224



BOM ID	Number	Qty	Description
1	02745400	1	ROLLER
2	03905600	2	ANTI-SCALP WHEEL - 5XOS
3	05960900	1	BOLT, HEX 0.375-16X3.5 GR5
4	06529400	1	NUT-HEX .38-16 YWZC
5	06542000	3	NUT, LK-TOP-FLG .38-16 YWZC
6	07056800	2	BLT-SHLDR .38-16X2.50 HWH G5YZ

ANTI-SCALP ROLLERS – 52 INCH

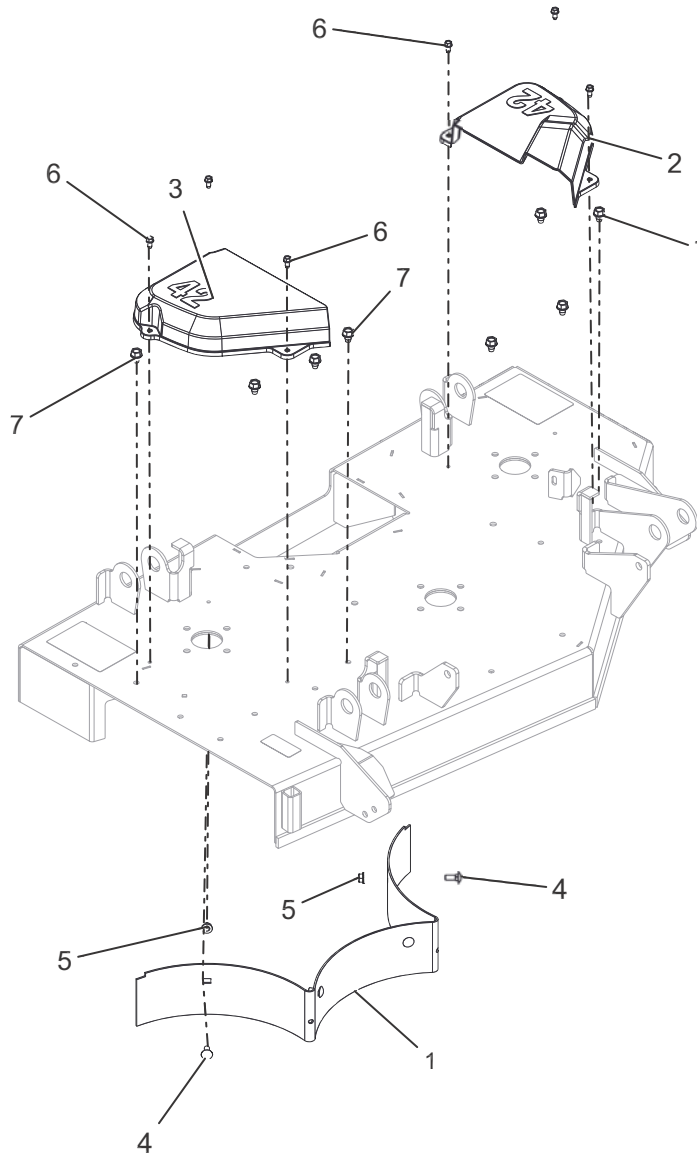
Model 915222, 223, 225



BOM ID	Number	Qty	Description
1	02745400	2	ROLLER
2	03905600	2	ANTI-SCALP WHEEL - 5XOS
3	05960900	2	BOLT, HEX 0.375-16X3.5 GR5
4	06529400	2	NUT-HEX .38-16 YWZC
5	06542000	4	NUT, LK-TOP-FLG .38-16 YWZC
6	07056800	2	BLT-SHLDR .38-16X2.50 HWH G5YZ

BELT COVERS AND BAFFLES – 42 INCH

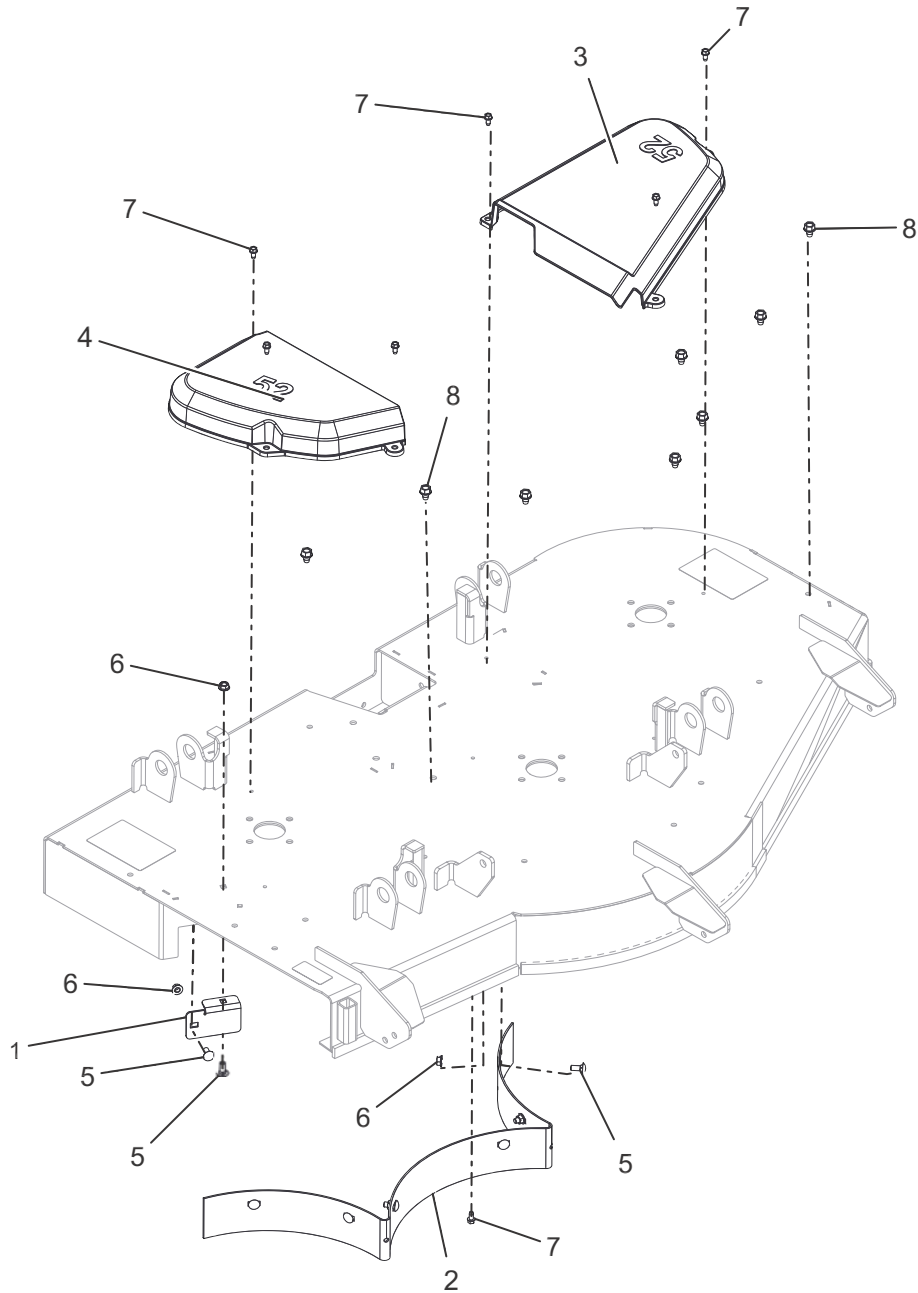
Model 915220, 224



BOM ID	Number	Qty	Description
1	04769759	1	BAFFLE, REAR 42"
2	04789100	1	COVER, BELT 42" LEFT
3	04789200	1	COVER, BELT 42" RIGHT
4	06215700	4	BOLT, CARRIAGE 0.3125-18X0.75 GR5
5	06543100	4	NUT, LK-TOP-FLG .312-18 YWZC
6	07400034	6	SCR-TAP .25-20X.50 HWH TR YWZ
7	07412900	8	SCR-TAP .38-16X.50 HWH TR YWZ

BELT COVERS AND BAFFLES – 52 INCH

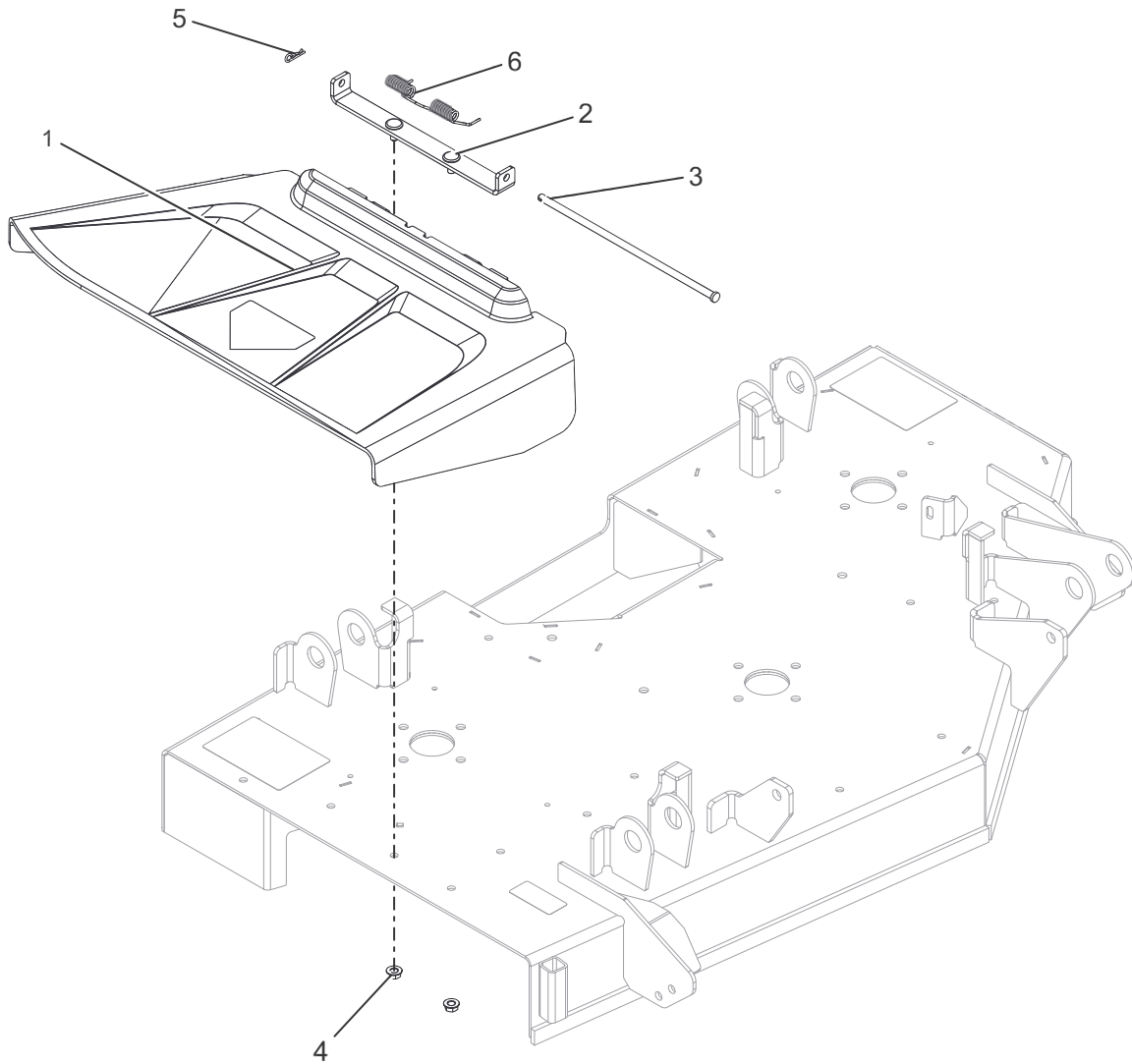
Model 915222, 223, 225



BOM ID	Number	Qty	Description
1	04771659	1	STRIP, DEFLECTOR
2	04775259	1	BAFFLE, REAR
3	04792900	1	COVER, BELT
4	04793300	1	COVER, BELT
5	06215700	8	BOLT, CARRIAGE 0.3125-18X0.75 GR5
6	06543100	7	NUT, LK-TOP-FLG .312-18 YWZC
7	07400034	7	SCR-TAP .25-20X.50 HWH TR YWZ
8	07412900	8	SCR-TAP .38-16X.50 HWH TR YWZ

CHUTE

Model All



BOM ID	Number	Qty	Description
1	04795000	1	CHUTE, SIDE DISCHARGE
2	04799859	1	WLDMT, CHUTE MOUNTING BRACKET (ORANGE)
3	04815900	1	PIN, 5/16 X 10.5
4	06543100	2	NUT, LK-TOP-FLG .312-18 YWZC
5	06713500	1	PIN, HAIR INT .08X.18X1.18 YWZC
6	08300621	1	SPRG, TORSION .35 ID (CHUTE)



ARIENS

Ariens Company
655 West Ryan Street
Brillion, WI 54110

ariensstore.com
(Dealer Locator)

ariens.custhelp.com
(Customer Support)



— An *Ariens* Company Brand