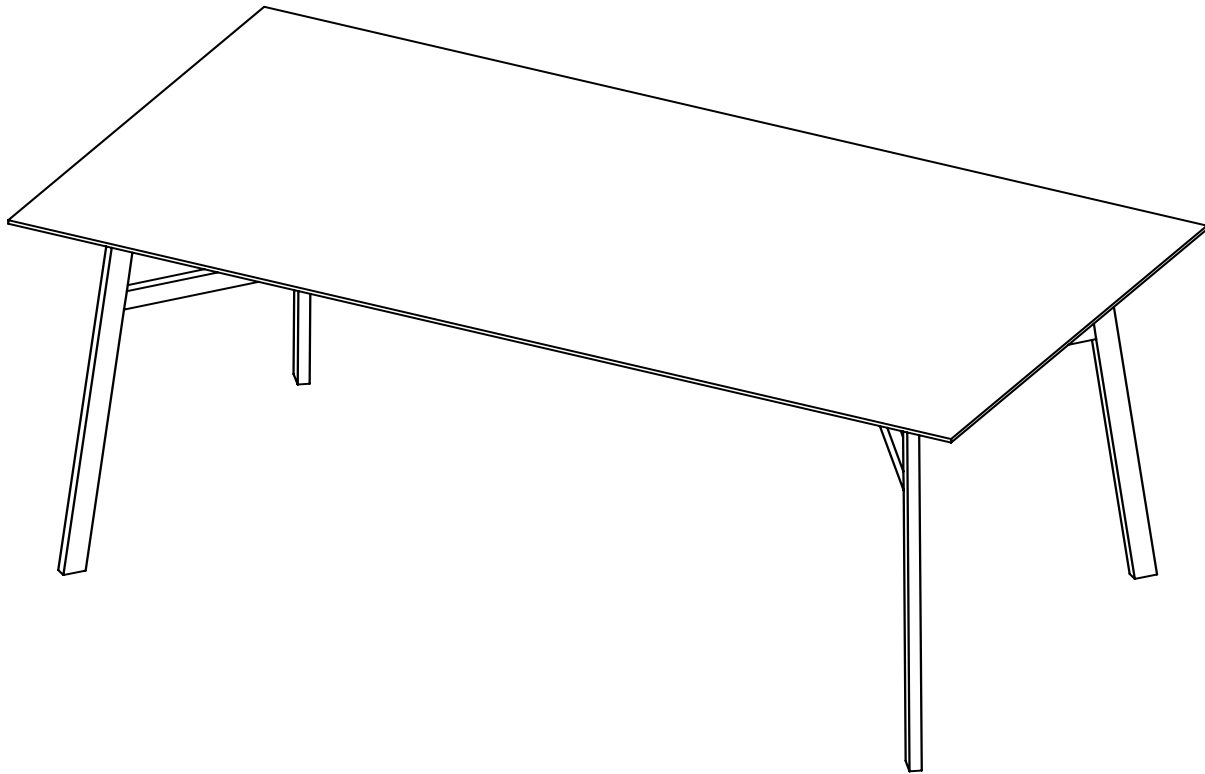


ASSEMBLY INSTRUCTION

RECTANGLE WOOD TOP BLACK METAL CROSS BASE DINING TABLE



Questions, problems, missing parts? Before returning to the store,
call Home Decorators Collection Customer Service.
8 a.m. - 7 p.m., EST, Monday - Friday, 9 a.m. - 6 p.m., EST, Saturday

1-800-998-7021

HOMEDEPOT.COM/HOMEDECORATORS

THANK YOU

We appreciate the trust and confidence you have placed in Home Decorators Collection through the purchase of this table. We strive to continually create quality products designed to enhance your home. Visit us online to see our full line of products available for your home improvement needs. Thank you for choosing Home Decorators Collection!

Table of Contents

Table of Contents	2	Tools Required	3
Safety Information.....	2	Hardware Included	3
Warranty	2	Pre-assembly (continued).....	4
3 Year Warranty	2	Package Contents	4
What is Covered	2	Assembly	5
What is Not Covered	2	Maintenance	6
Pre-assembly	3	Care and Cleaning	6
Planning Assembly	3		

Safety Information



DANGER

- Keep small parts away from children during assembly.
- Read and follow instructions carefully.



WARNING

- Read these instructions carefully and keep in a safe place.
- TO GUARANTEE THE SAFE USE OF THIS PRODUCT, FOLLOW THE WARNINGS, GUIDELINES AND RECOMMENDATIONS IN THIS MANUAL.
- Adult assembly required.
- Small parts may present choking hazard prior to assembly.



CAUTION

- Do not use power tools to assemble your furniture. Power tools may strip or damage parts/product.
- Do not overtighten connectors (screws, bolts, etc.). Overtightening can lead to product damage.
- Be sure to check all packing materials carefully for small parts that may have come loose inside the carton during shipment. If parts are missing, contact THE HOME DEPOT to obtain any missing parts.
- DO NOT USE SUBSTITUTE PARTS.
- This product should only be used on a flat, level surface.
- Assembly requires two people; assembly alone may cause injury.

Warranty

3 YEAR WARRANTY

WHAT IS COVERED

We guarantee this product to be free of manufacturing defects to the original purchaser for three years.

WHAT IS NOT COVERED

This warranty does not cover commercial use, acts of nature, and abusive use.

Pre-assembly

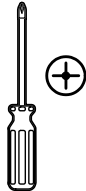
PLANNING ASSEMBLY

Keep children and pets away from the build area. Make sure that the area is large enough to unpack, sort, and assemble the unit.

TOOLS REQUIRED



Safety goggles



Phillips screwdriver

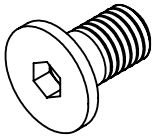


Level

HARDWARE INCLUDED



NOTE: Hardware not shown to actual size.



____ AA



____ BB



____ CC

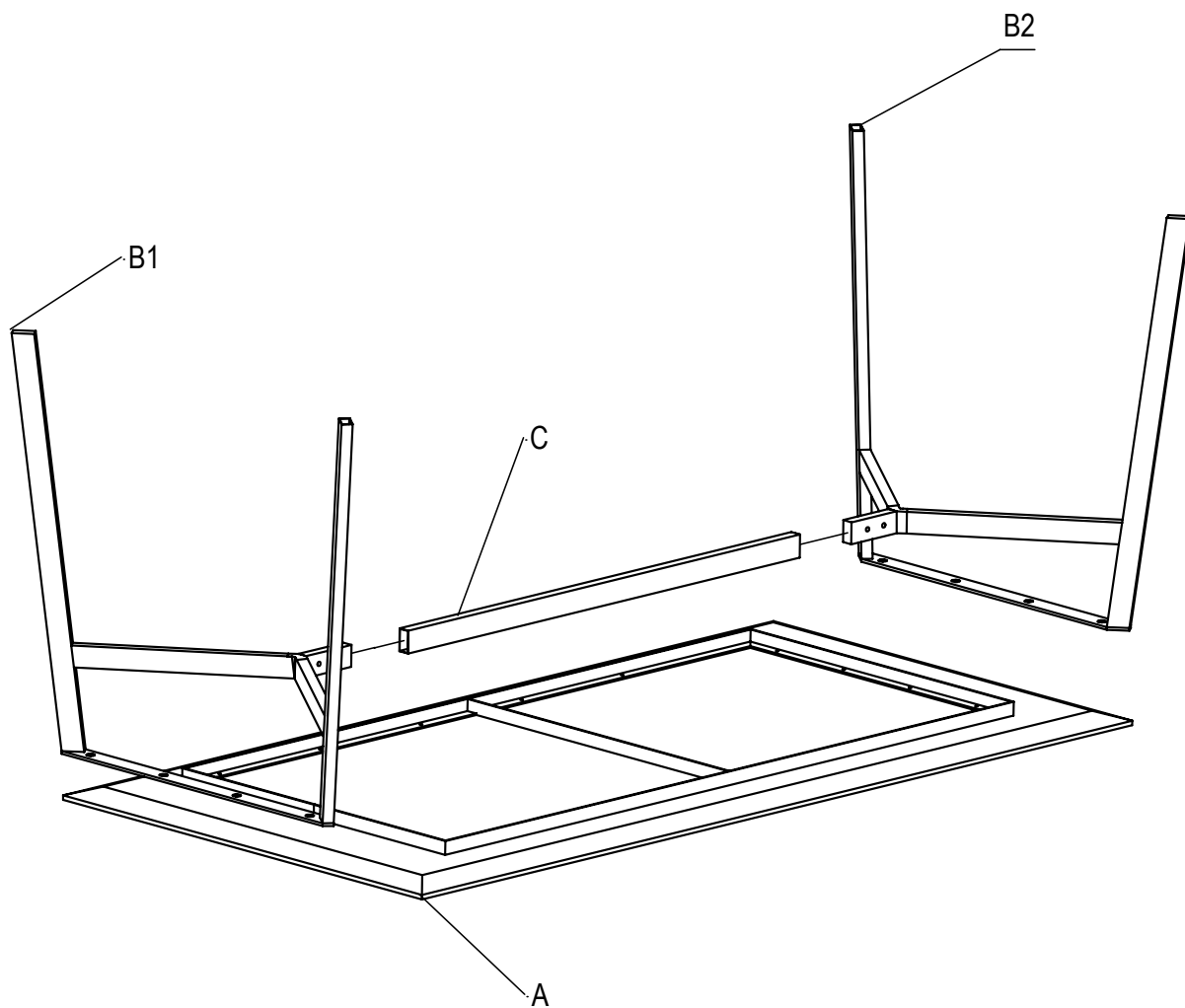


____ DD

Part	Hardware Description	Quantity
AA	M8X25 BOLT	08
BB	M8X12 BOLT	04
CC	M25X8 WASHER	08
DD	HEX KEY	01

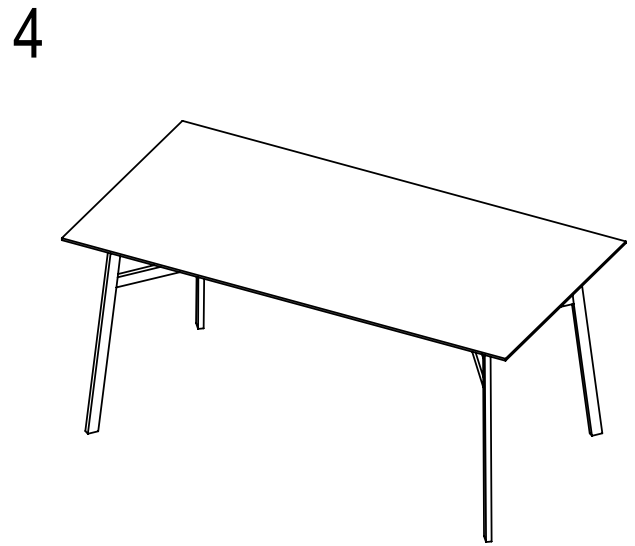
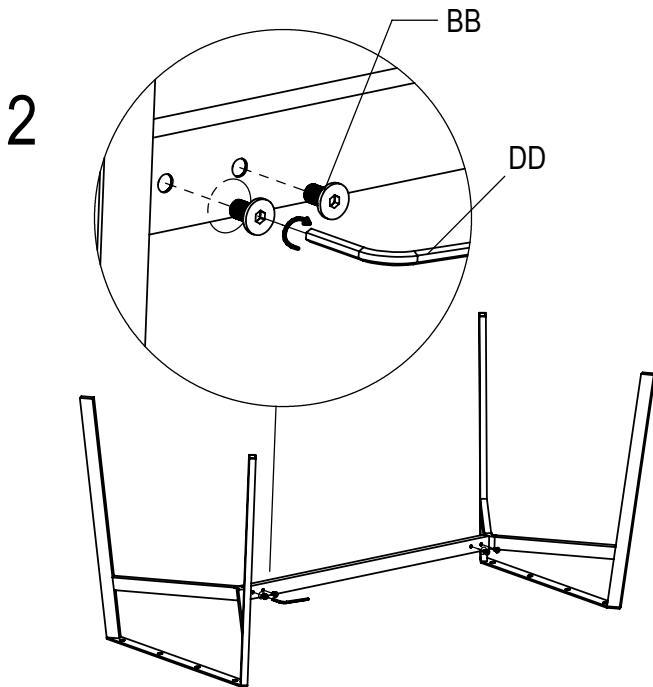
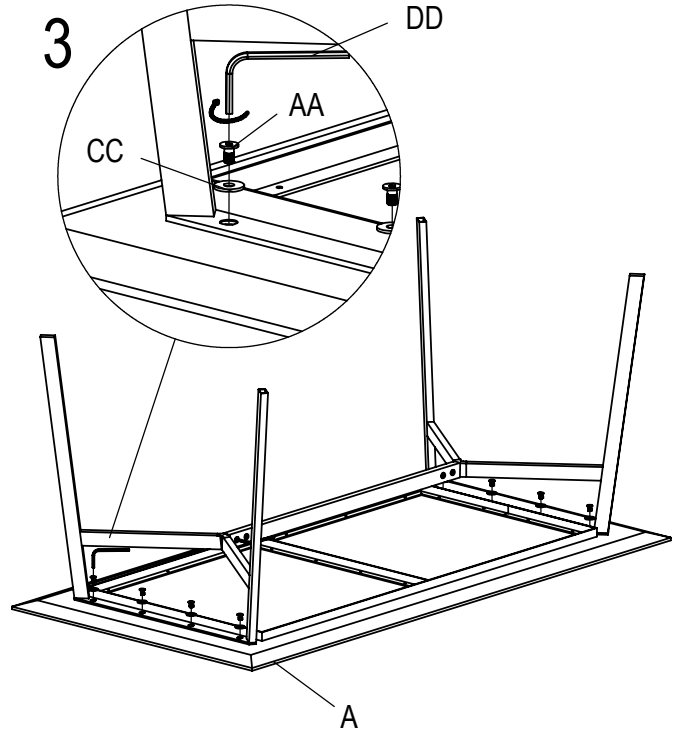
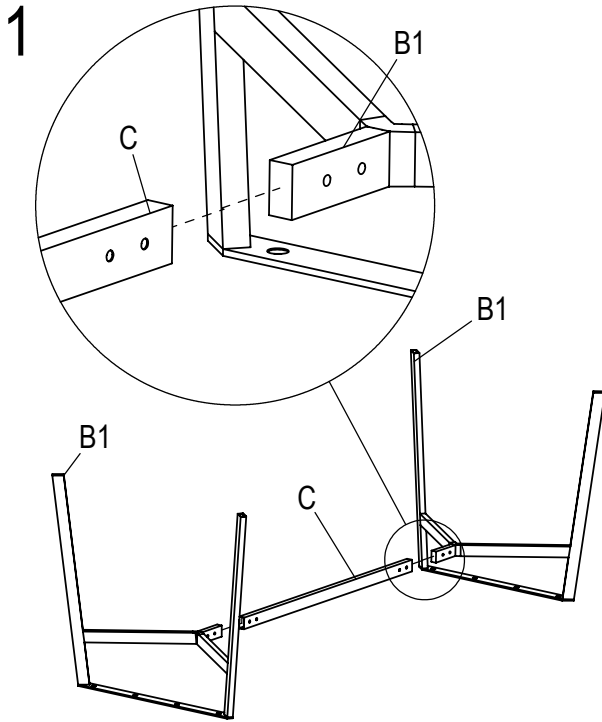
Pre-assembly (continued)

PACKAGE CONTENTS

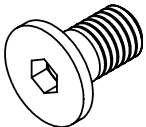


Part	Part Description	Quantity
A	TOP	01
B1-B2	LEG	02
C	CENTER PIPE	01

Assembly



M8X25 BOLT
(AA)X8



M8X12 BOLT
(BB)X4



M8X25 WASHER
(CC)X8



HEX KEY
(CC)X1



Maintenance

- Keep the product away from heat & sunlight.
- Prolonged exposure to heat sources may cause scorching, or even cause color to fade.
- Regular vacuuming and light brushing helps to remove dirt and prevent soil buildup, which increases the appearance of wear.
- Periodically (every 90 days), make sure that the screws are fully tightened.

Care and Cleaning

- Vacuum your product regularly. Small dust particles are very abrasive and can wear furniture prematurely.
- Never use harsh chemicals or solvents on your product, as this may damage the metal.
- Marks and stains from pens, crayons and ink markers are difficult to remove. In the event your product becomes permanently stained, we recommend that you consult a professional.

**HOME
DECORATORS
COLLECTION®**

Questions, problems, missing parts?
Before returning to the store, call Home Decorators Collection Customer Service.
8 a.m. – 7 p.m., EST, Monday – Friday, 9 a.m. – 6 p.m., EST, Saturday

1-800-998-7021

HOMEDEPOT.COM/HOMEDECORATORS

Retain this manual for future use.