



Concord 4pc Seating  
Assembly Instructions

Before beginning assembly, layout all parts on a soft, scratch resistant surface. Contact SE Brands directly if any parts are missing. We will gladly provide free replacements.

Please do not contact your retail store for replacement parts, or assembly questions.

During assembly, hand tighten each bolt until all bolts are started. Once each bolt is started, you can fully tighten them down. This helps to insure all piece align properly and makes assembly a much easier process.

QUESTIONS? MISSING PARTS?






Contact SE Brands directly for the fastest service.

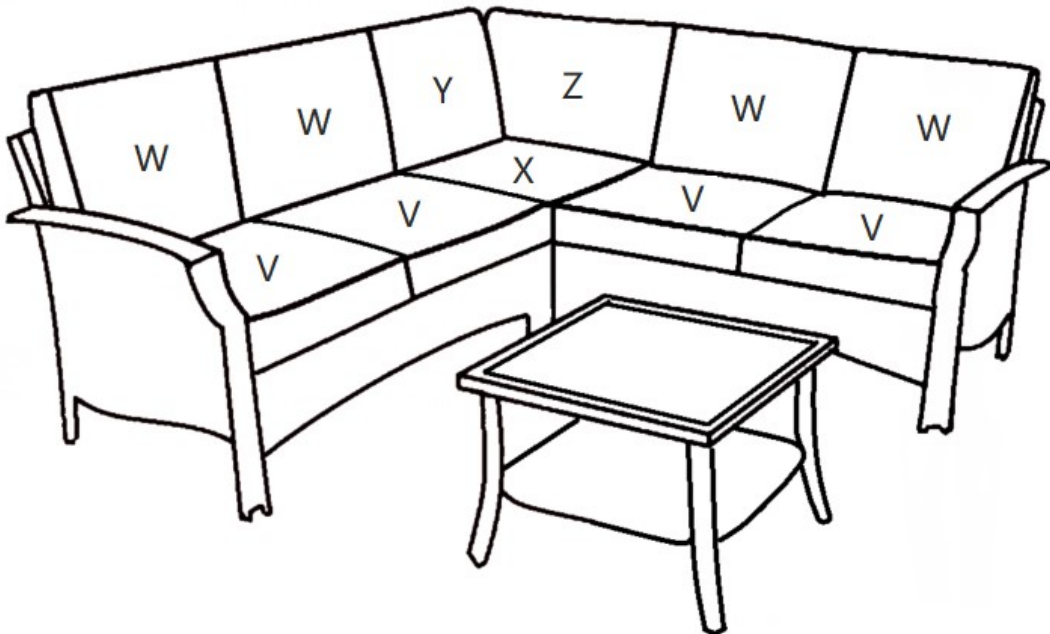
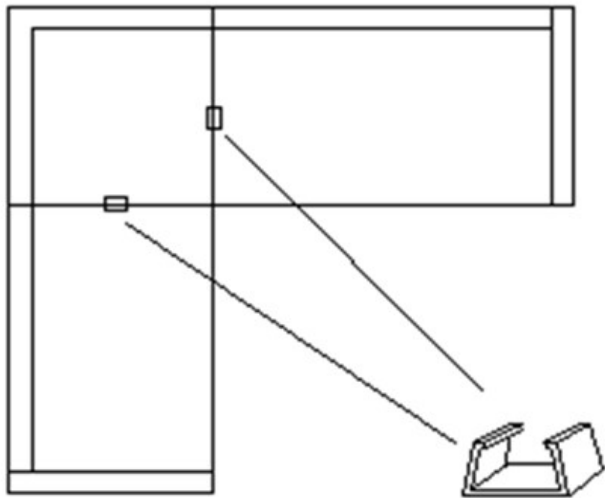
[hello@sebrandsinc.com](mailto:hello@sebrandsinc.com)

888-682-3012

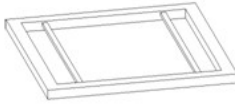






  
*Leisure Made*  
 - PATIO FURNITURE -

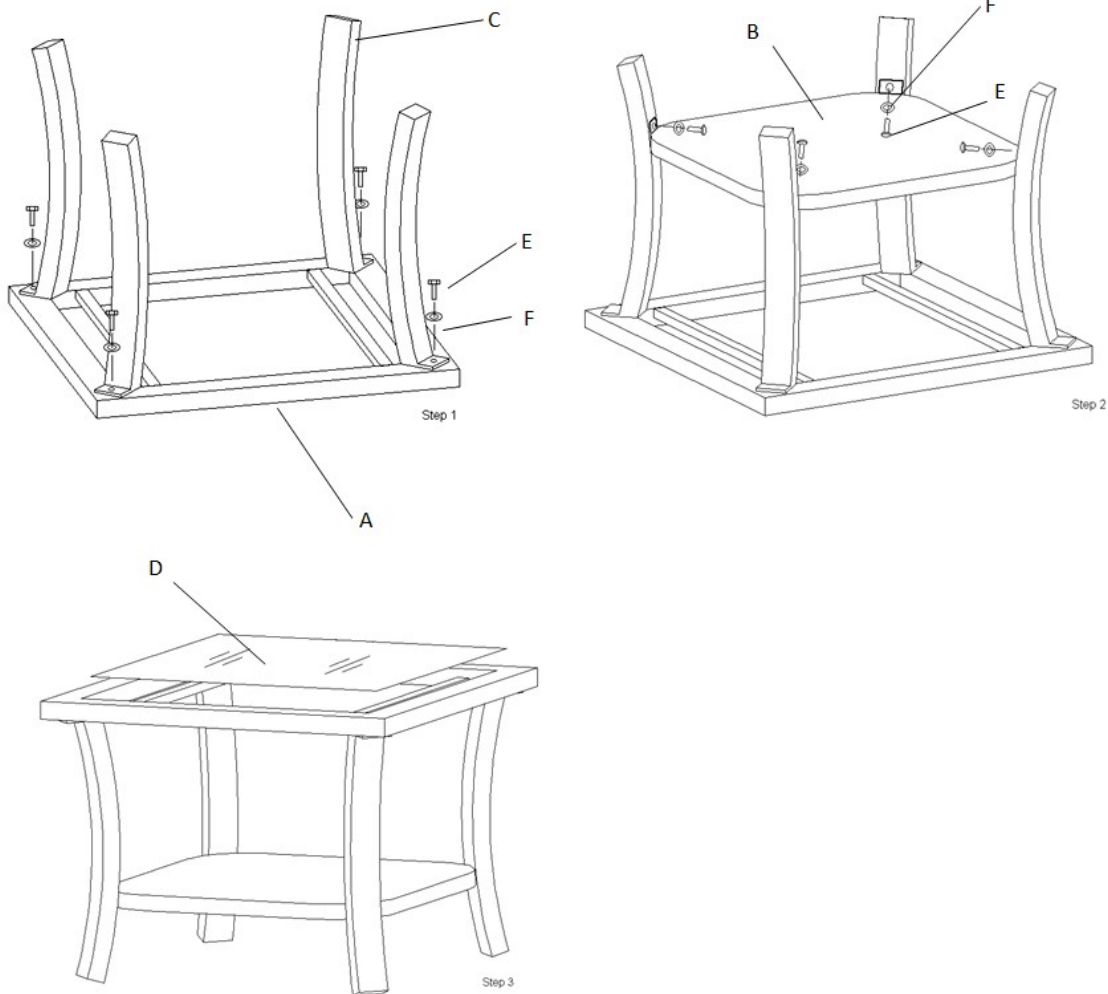
Concord

				
W. 22" Back Cushion	V. 22" Seat Cushion	X. Corner Seat Cushion	Y. Large Corner Back Cushion	Z. Small Corner Back Cushion
4PCS	4PCS	1PC	1PC	1PC



## Concord teatable

			
A Top 1PC	B 1PC	C Leg 4PCS	
			
D Glass 1PC	E M6 x 20mm 8PCS	F M6 8PCS	G 1PC



**Important: please do not tighten any screws until all the screws are in the right position.**