

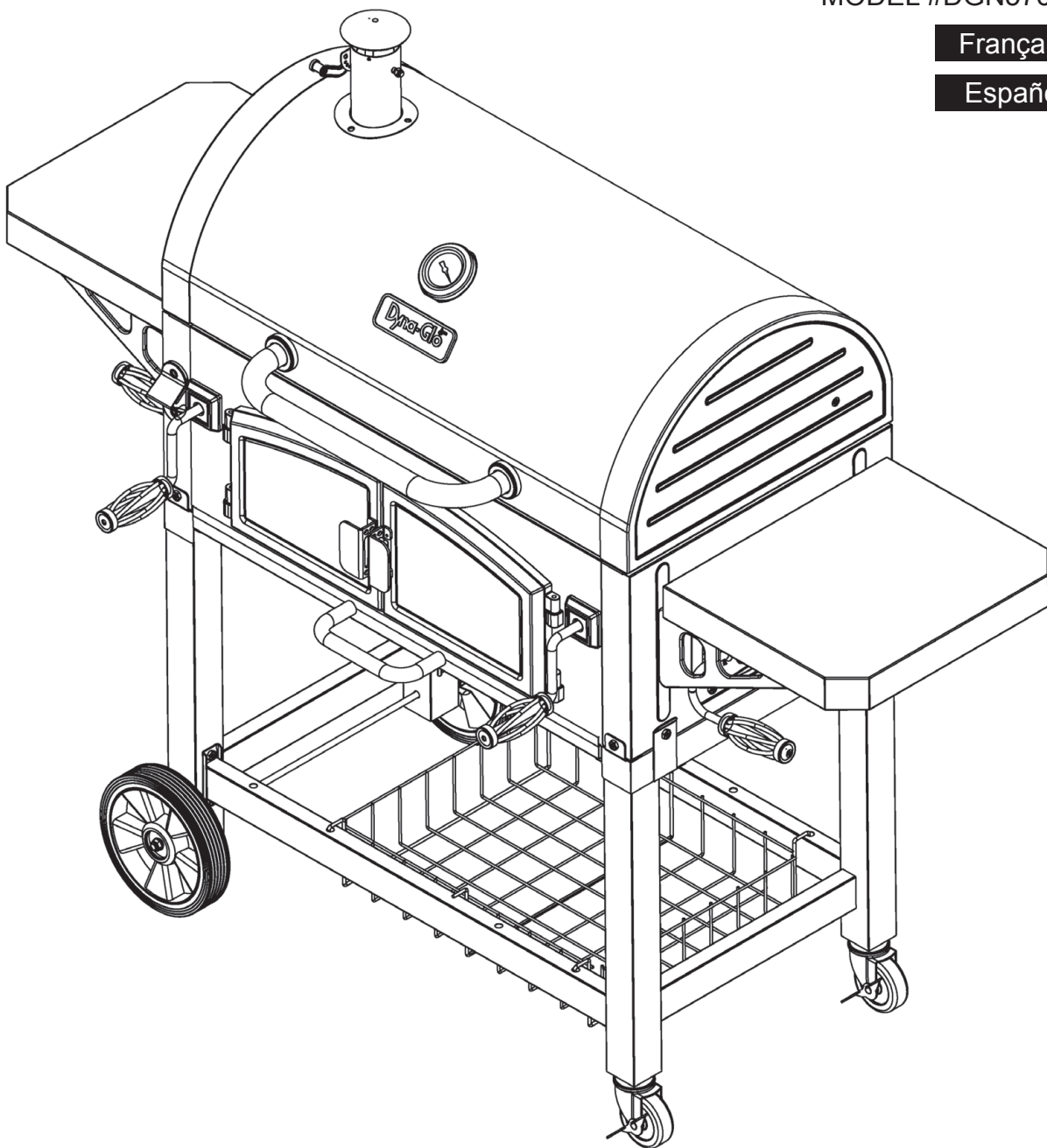


DUAL CHAMBER CHARCOAL GRILL

MODEL #DGN576SNC-D

Français p. 20

Español p. 39



ATTACH YOUR RECEIPT HERE

Serial Number _____ Purchase Date _____



Questions, problems, missing parts? Before returning to your retailer, call our customer service department at 1-877-447-4768, 8:30 a.m. – 4:30 p.m. CST, Monday – Friday, or log on to customerservice@ghpgroupinc.com

TABLE OF CONTENTS

Safety Information	2
Package Contents	4
Hardware Contents.....	5
Preparation	5
Assembly Instructions.....	6
Operating Instructions	15
Care and Maintenance	17
Warranty	17
Replacement Parts List	18



SAFETY INFORMATION

Please read and understand this entire manual before attempting to assemble, operate or install the product. If you have any questions regarding the product, please call customer service at: 1-877-447-4768, 8:30 a.m. – 4:30 p.m. CST, Monday – Friday.



CAUTION

- THIS UNIT IS HEAVY. TWO PEOPLE REQUIRED FOR SAFE ASSEMBLY. Some parts may contain sharp edges. Wear protective gloves if necessary. Read and follow all safety statements, warnings, assembly instructions, and use and care instructions before attempting to assemble and use.



WARNING

- Keep a fire extinguisher near this product at all times.
- This grill is for outdoor use only in well-ventilated areas.
- The use of alcohol, prescription or non-prescription drugs may impair the user's ability to properly assemble and safely operate this appliance.

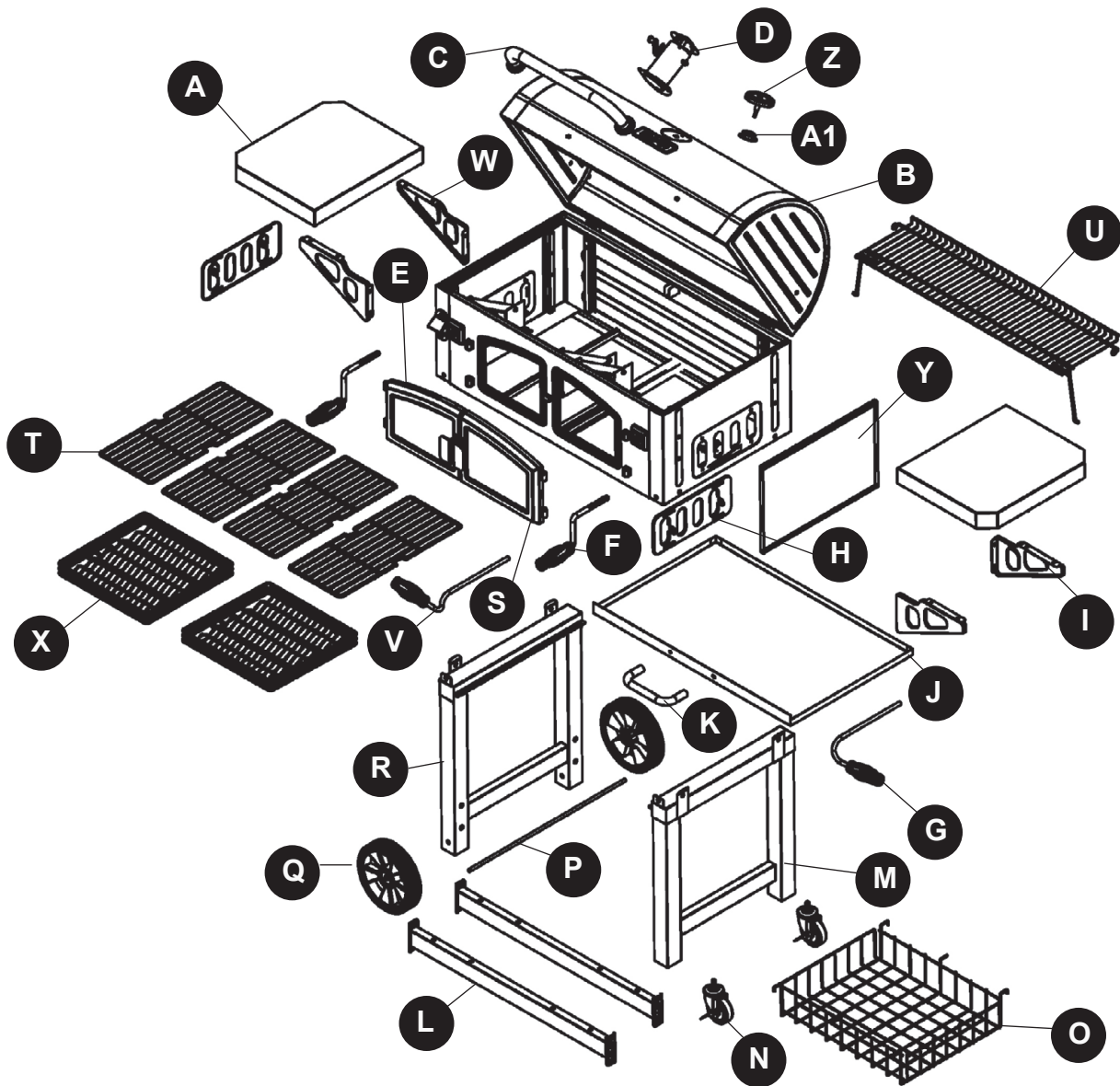
SAFETY INFORMATION

- Use caution when lifting and moving the unit to avoid back strain or back injury. Do not move the unit while it is in use.
- **DO NOT** operate the unit near or under flammable or combustible materials such as decks, porches or carports. A minimum clearance of 36 in. (91.4 cm) is recommended. **DO NOT** operate the unit under overhead construction.
- A minimum clearance to combustible construction is 36 in. (91.4 cm) from sides and back.
- **DO NOT** use this appliance as a heater.
- Operate the unit on a stable, level, non-flammable surface such as asphalt, concrete or solid ground. **DO NOT** operate the unit on flammable material such as carpet or wood deck.
- Use caution when assembling and operating this unit to avoid cuts and scrapes from edges.
- **DO NOT** use this product in a manner other than its intended purpose. It is NOT intended for commercial use. It is not intended to be installed or used in or on a recreational vehicle and/or boats.
- **DO NOT** store this unit near gasoline or other combustible liquids or where other combustible vapors may be present.
- **DO NOT** store or operate this product in an area accessible to children or pets. Store this unit in a dry protected location.
- **DO NOT** leave the unit unattended while in use.
- **DO NOT** leave hot ashes unattended until the grill cools completely.
- **DO NOT** move the unit while in use or while ashes are still hot. Allow the unit to cool completely before moving or storing.
- **NEVER** use gasoline or other highly volatile fluids as a starter.
- Always cook your food on the grate after the flame is burned out.
- Dispose of cold ashes by wrapping them in heavy-duty aluminum foil and placing in a noncombustible container. Make sure that there are no other combustible materials in or near the container.
- If you must dispose of ashes in less time than it takes for the ashes to completely cool down, then remove the ashes from the unit, using heat-resistant gloves along with long metal tongs or fireplace shovel. Place the coals in aluminum foil and soak them completely with water before disposing of them in a noncombustible container.
- Allow the unit to cool completely before conducting any routine cleaning or maintenance.

CALIFORNIA PROPOSITION 65

- Fuels used in wood and charcoal burning appliances and the products of combustion of such fuels contain chemicals known to the State of California to cause cancer, birth defects or other reproductive harm. This product contains chemicals, including lead and lead compounds, known to the State of California to cause cancer, birth defects or other reproductive harm. ***Wash hands after handling.***

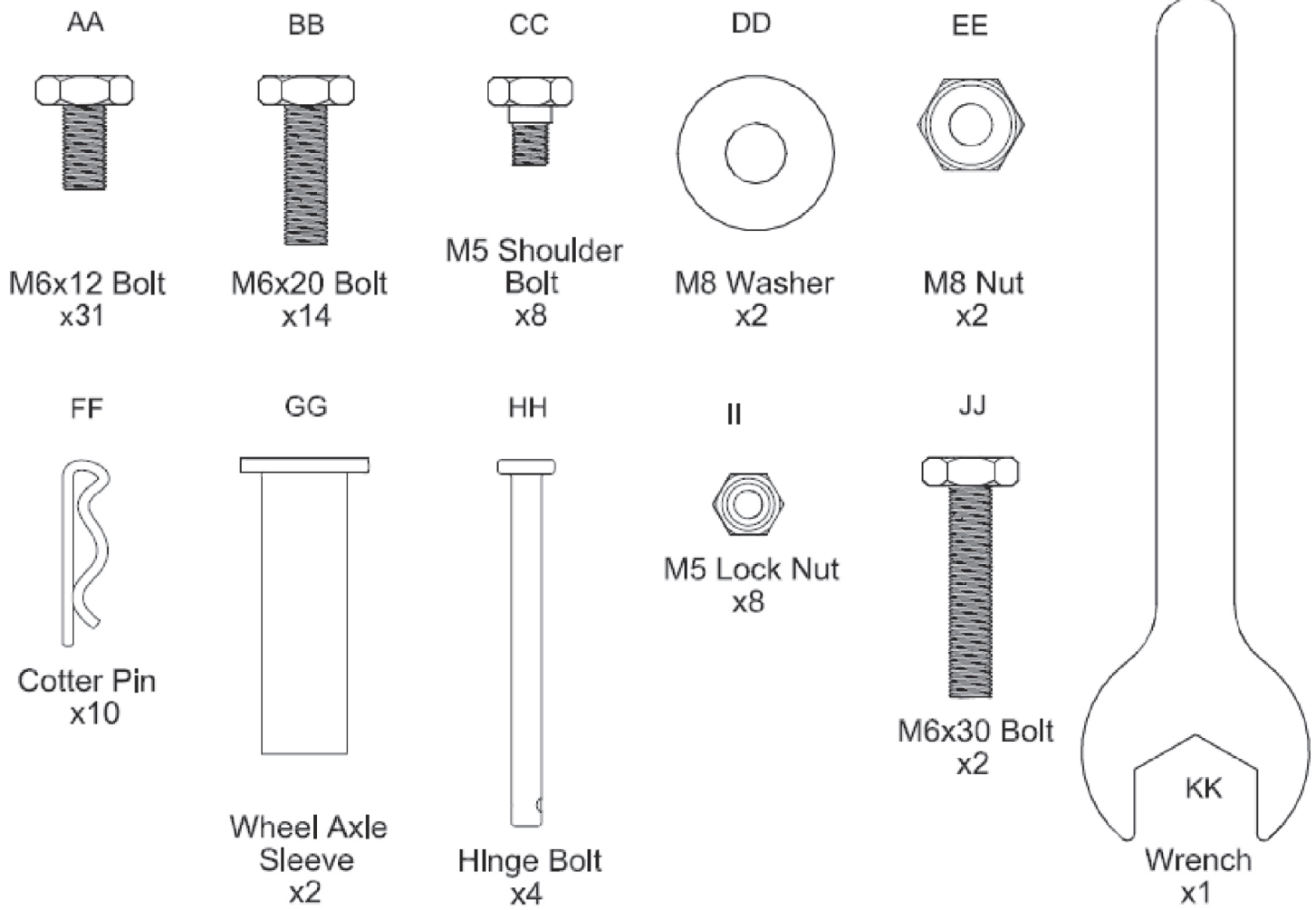
PACKAGE CONTENTS



PART	DESCRIPTION	QUANTITY
A	Side Shelf	2
B	Lid and Firebox Assembly	1
C	Lid Handle Assembly	1
D	Smoke Stack Assembly	1
E	Charcoal Access Door-Left	1
F	Crank Handle	2
G	Damper Handle-Right	1
H	Damper	2
I	Side Shelf Support-Right Rear/Left Front	2
J	Ash Tray	1
K	Ash Tray Handle	1
L	Cart Brace	2
M	Right Leg Assembly	1
N	Caster	2

PART	DESCRIPTION	QUANTITY
O	Storage Basket	1
P	Axle	1
Q	Wheel	2
R	Left Leg Assembly	1
S	Charcoal Access Door-Right	1
T	Grate	4
U	Warming Rack	1
V	Damper Handle-Left	1
W	Side Shelf Support-Left Rear/Right Front	2
X	Charcoal Tray	2
Y	Divider Panel	1
Z	Temperature Gauge	1
A1	Temperature Gauge Nut Bezel	1

HARDWARE CONTENTS (shown actual size)



PREPARATION

Before beginning assembly of product, make sure all parts are present. Compare parts with package contents list and hardware contents list. If any part is missing or damaged, do not attempt to assemble the product.


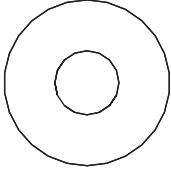
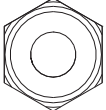
Estimated Assembly Time: 50 minutes with two people

Tools Required for Assembly (not included): Phillips screwdriver, adjustable wrench.

ASSEMBLY INSTRUCTIONS

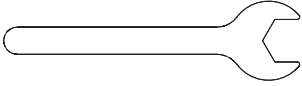
1. Insert axle (P) into left leg assembly (R). Attach one wheel (Q) to each side of axle (P) using one wheel axle sleeve (GG), one M8 washer (DD), and one M8 nut (EE).

Hardware Used

GG	Wheel axle sleeve		x 2
DD	M8 Washer		x 2
EE	M8 Nut		x 2

2. Attach two casters (N) to right leg assembly (M) and secure with wrench (KK).

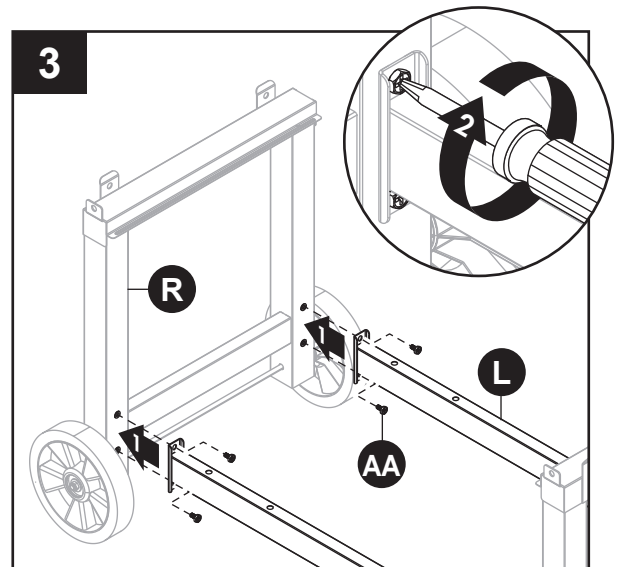
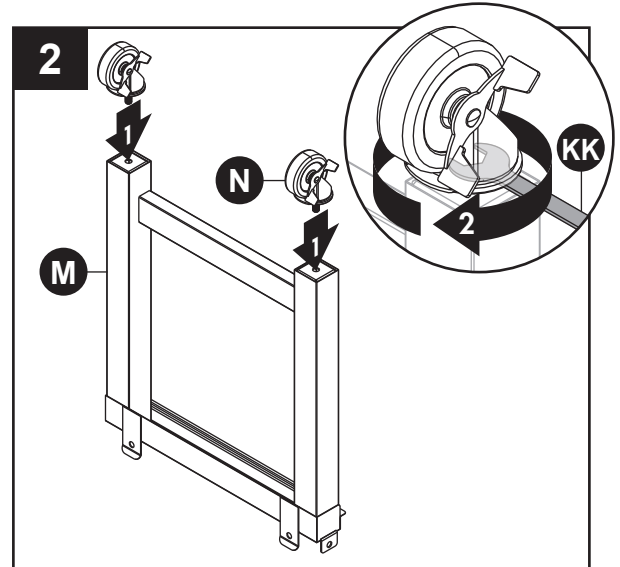
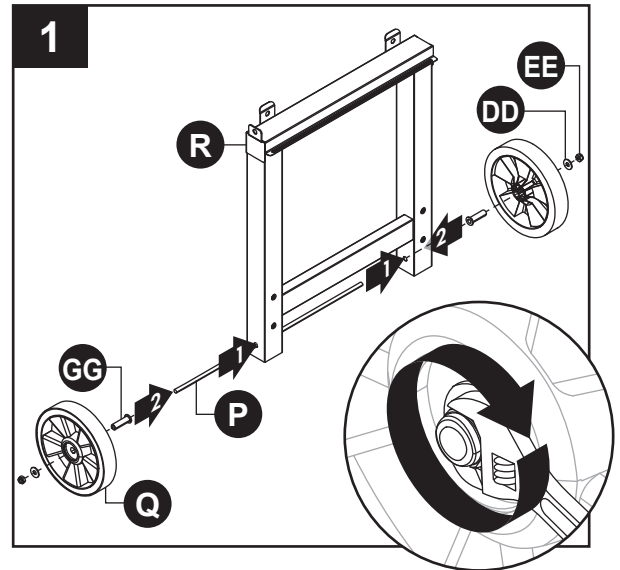
Hardware Used

KK	Wrench (not to scale)		x 1
-----------	--------------------------	---	-----

3. Attach two cart braces (L) to left leg assembly (R) using two M6x12 bolts (AA) on each side.

Hardware Used

AA	M6x12 Bolt		x 4
-----------	------------	---	-----

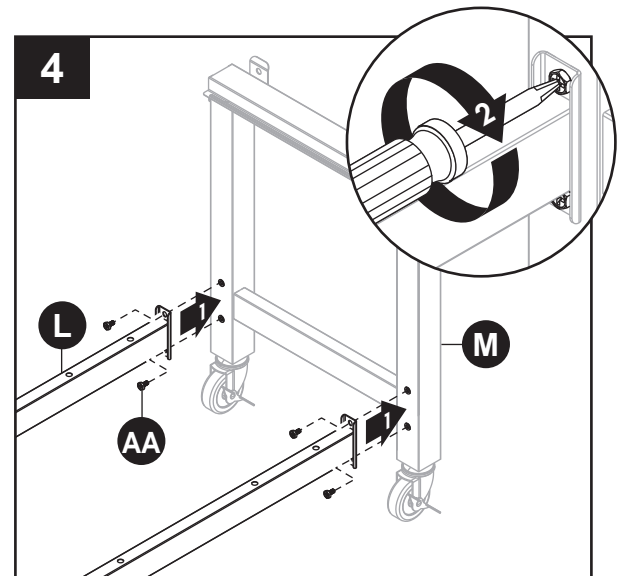


ASSEMBLY INSTRUCTIONS

- Attach two cart braces (L) to right leg assembly (M) using two M6x12 bolts (AA) on each side.

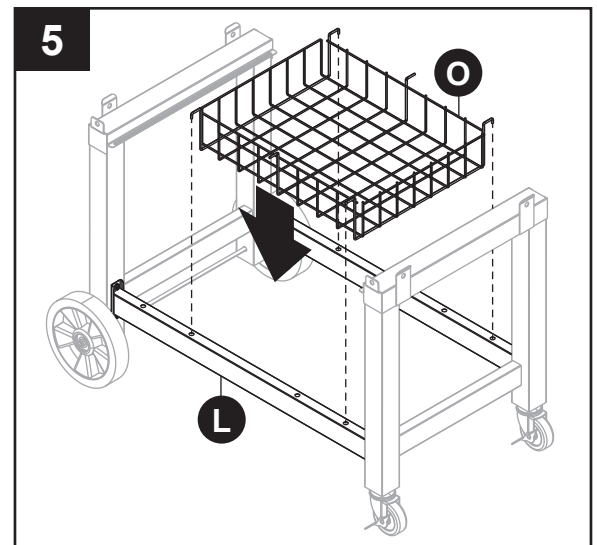
Hardware Used

AA	M6x12 Bolt		x 4
-----------	------------	---	-----

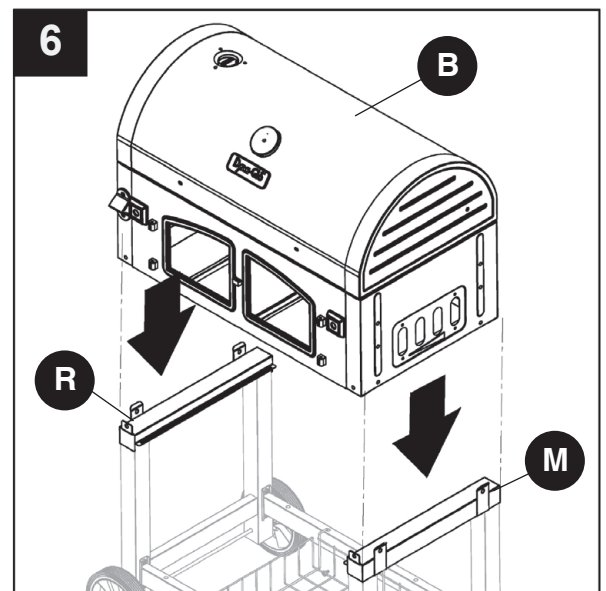


- Attach storage basket (O) to cart braces (L).

NOTE: Make sure four hooks on storage basket (O) are fully inserted into holes on cart braces (L).



- With the help of a second person, set lid and firebox assembly (B) on top of left leg assembly (R) and right leg assembly (M).

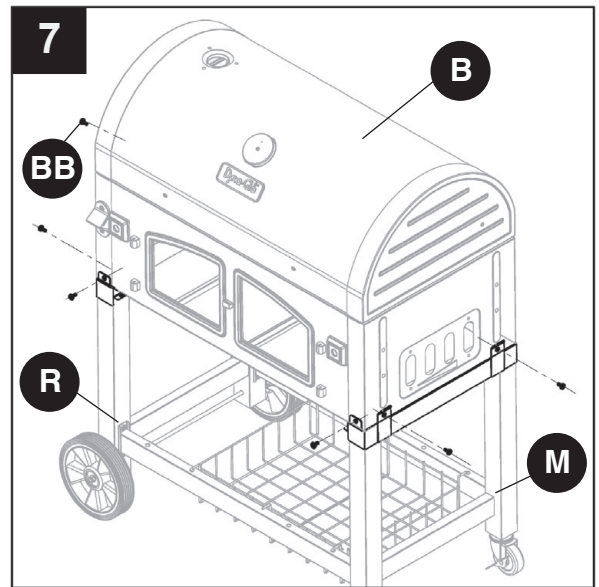


ASSEMBLY INSTRUCTIONS

7. Secure lid and firebox assembly (B) on top of left leg assembly (R) and right leg assembly (M) using six M6x20 bolts (BB).

Hardware Used

BB M6x20 Bolt  x 6



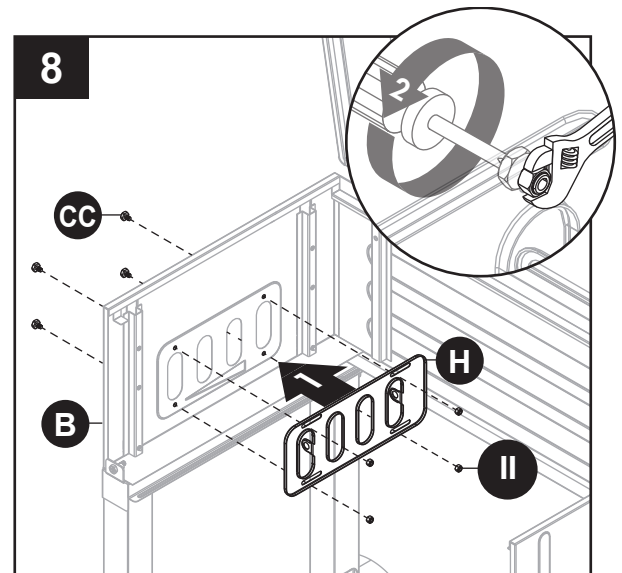
8. Attach damper (H) to inside of lid and firebox assembly (B) using four M5 shoulder bolts (CC) and four M5 lock nuts (II). Repeat for remaining damper (H).

NOTE: For clarity, illustration is shown with front of lid and firebox assembly (B) removed.

Hardware Used

CC M5 Shoulder Bolt  x 8

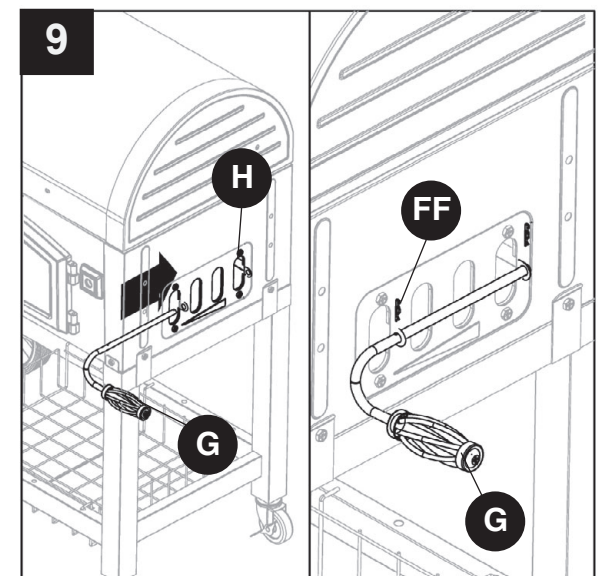
II M5 Lock Nut  x 8



9. Insert damper handle – right (G) into the two holes on right side damper (H). Secure with two cotter pins (FF). Repeat for damper handle – left (V).

Hardware Used

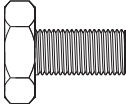
FF Cotter Pin  x 4

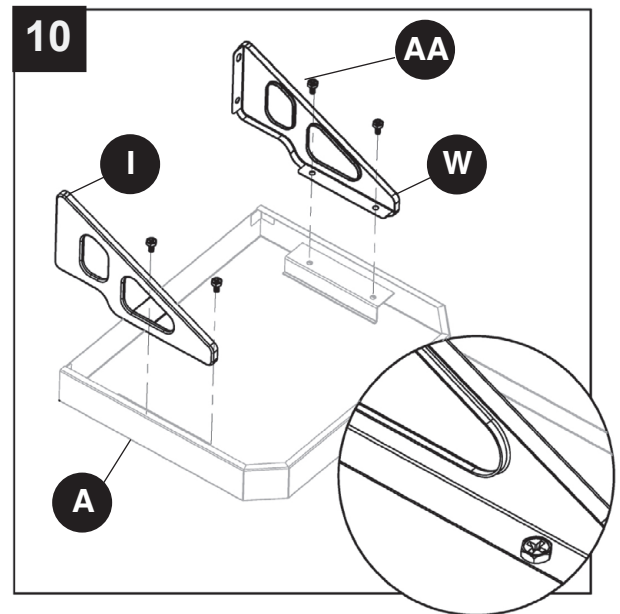


ASSEMBLY INSTRUCTIONS

10. With shelf upside down, attach side shelf support – left rear/right front (W) and side shelf support – left front/right rear (I) to side shelf (A) using four M6x12 bolts (AA) on each side. Repeat for remaining shelf (A).

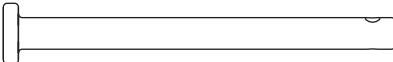
Hardware Used

AA M6x12 Bolt  x 8

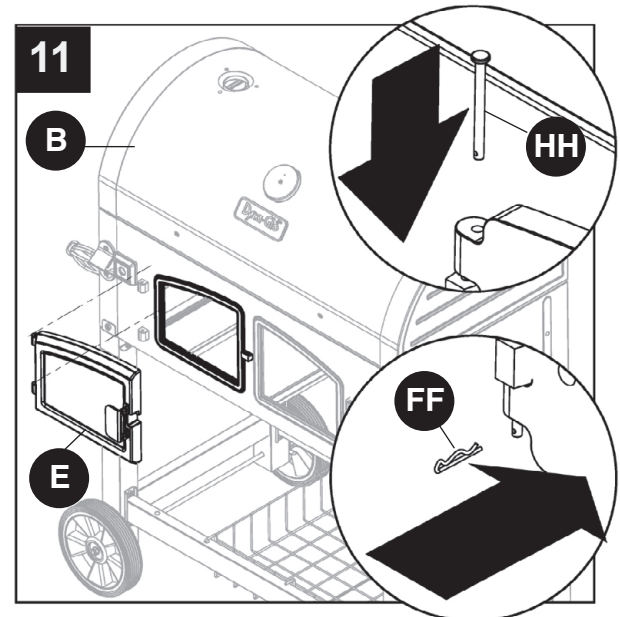


11. Attach left charcoal access door (E) to lid and firebox assembly (B). Insert two hinge bolts (HH) into hinges on charcoal access door (E) and secure with two cotter pins (FF). Repeat for right charcoal access door (S).

Hardware Used

HH Hinge Bolt  x 4

FF Cotter Pin  x 4

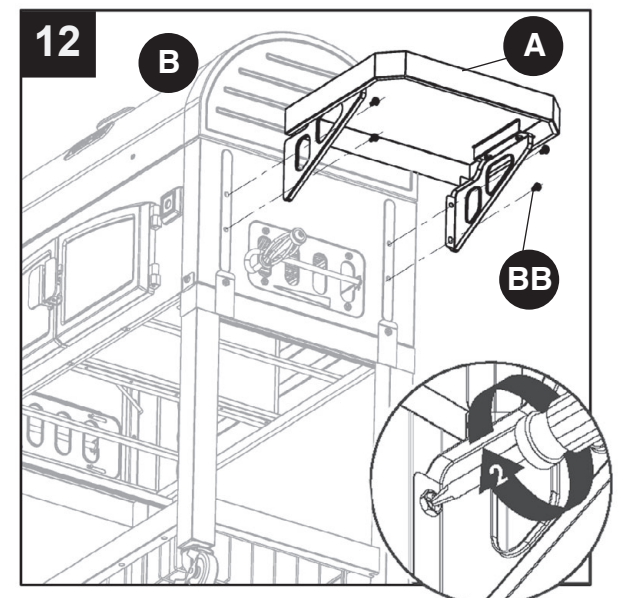


12. Attach right side shelf (A) to lid and firebox assembly (B) using four M6x20 bolts (BB). Repeat on left side with remaining side shelf (A).

NOTE: First secure two upper M6x20 bolts (BB), then lower M6x20 bolts (BB).

Hardware Used

BB M6x20 Bolt  x 8

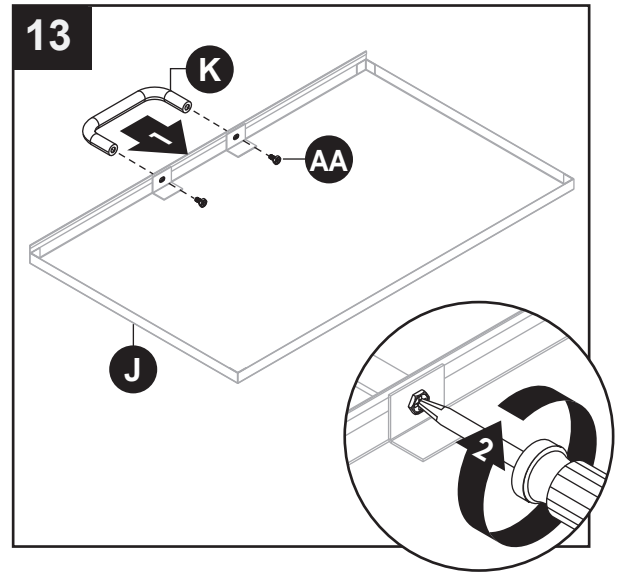


ASSEMBLY INSTRUCTIONS

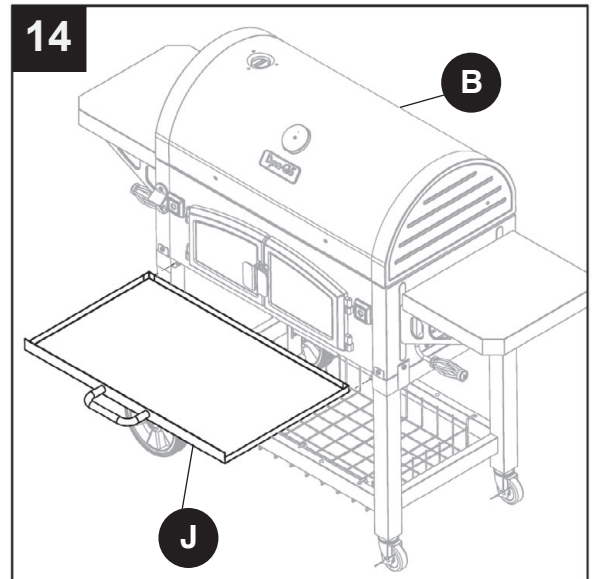
13. Attach ash tray handle (K) to ash tray (J) using two M6x12 bolts (AA).

Hardware Used

AA M6x12 Bolt  x 2



14. Insert ash tray (J) into lid and firebox assembly (B).

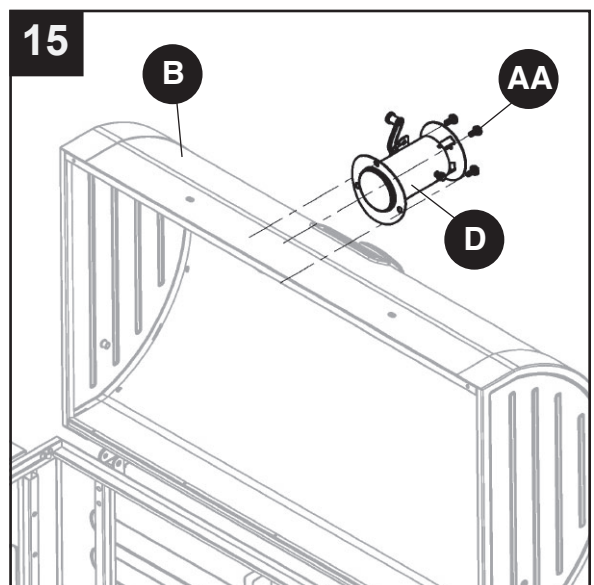


15. Attach smoke stack assembly (D) to lid and firebox assembly (B) using three M6x12 bolts (AA).

NOTE: Make sure the smoke stack damper adjustment handle faces the front of the grill.

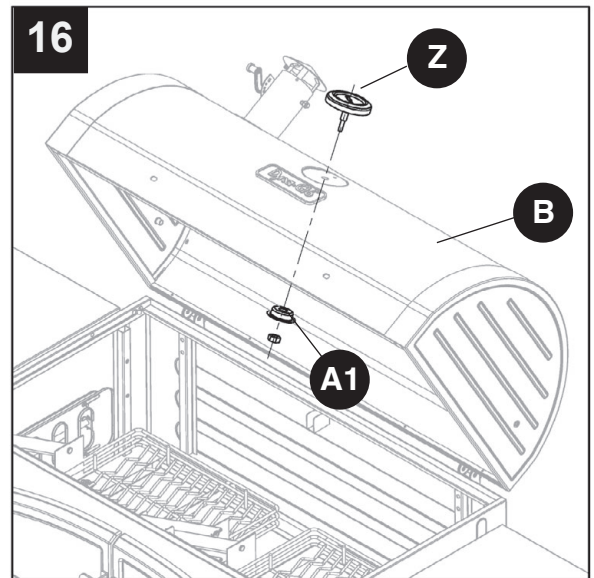
Hardware Used

AA M6x12 Bolt  x 3



ASSEMBLY INSTRUCTIONS

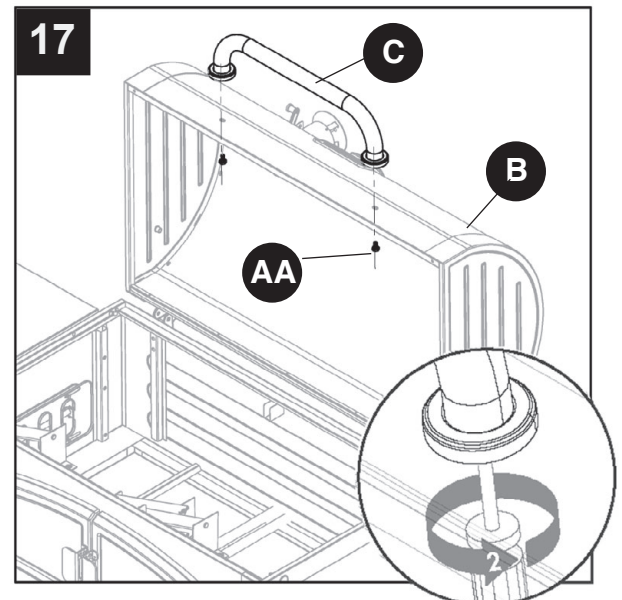
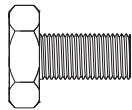
16. Attach temperature gauge (Z) and temperature gauge nut bezel (A1) to lid and firebox assembly (B) using pre-assembled nut .



17. Attach lid handle assembly (C) to lid and firebox assembly (B) using two M6x12 bolts (AA).

Hardware Used

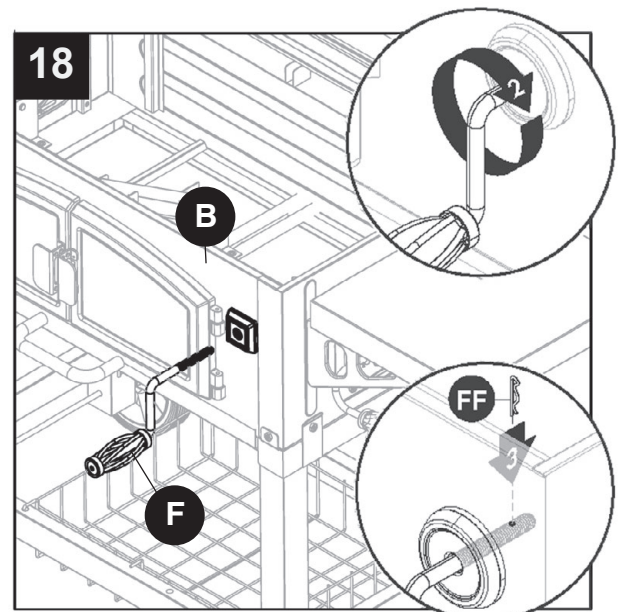
AA M6x12 Bolt x 2



18. Thread crank handle (F) into lid and firebox assembly (B). Secure with one cotter pin (FF). Repeat for remaining crank handle (F).

Hardware Used

FF Cotter Pin x 2



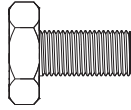
ASSEMBLY INSTRUCTIONS

19. Attach two charcoal trays (X) to inside of lid and firebox assembly (B) using four M6x12 bolts (AA) each.

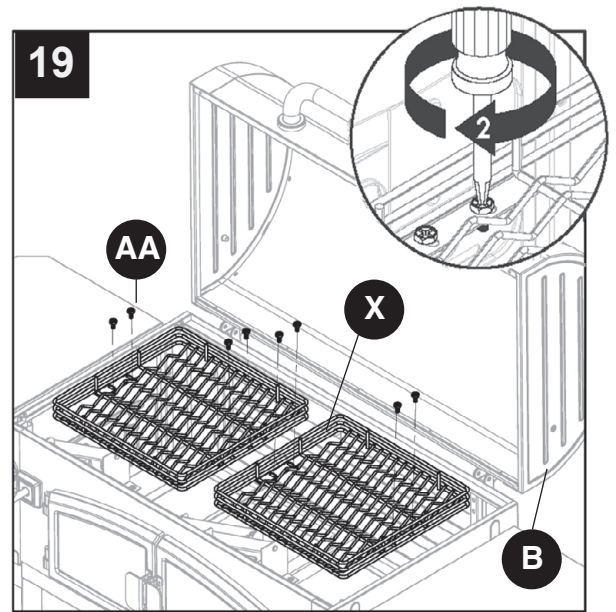
Hardware Used

AA

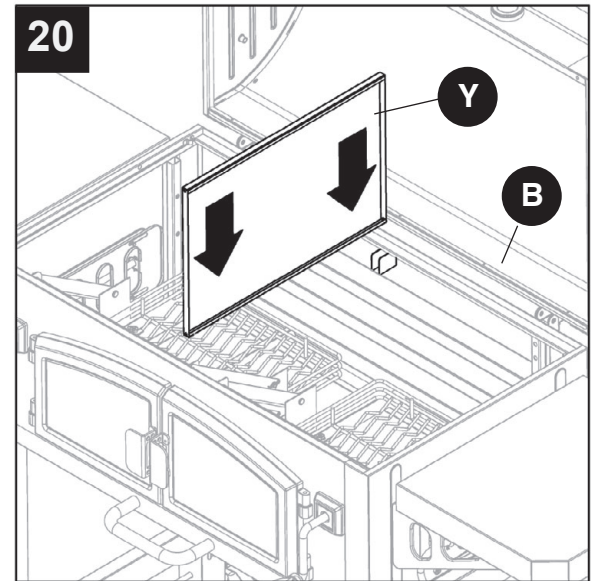
M6x12 Bolt



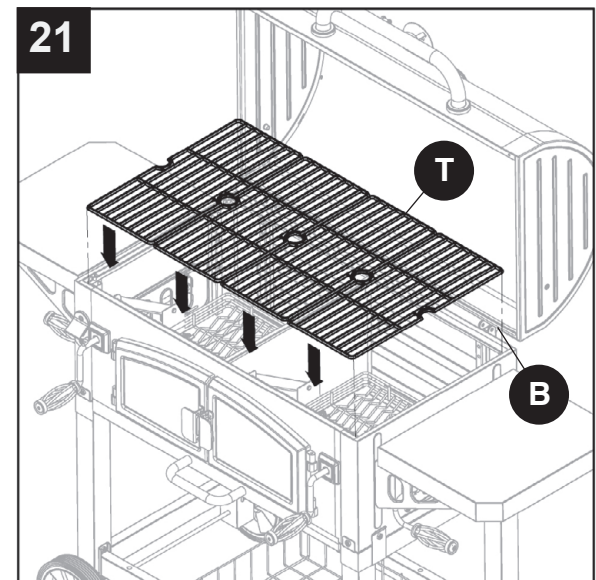
x 8



20. Insert the divider panel (Y) into the inside of the lid and firebox assembly (B).



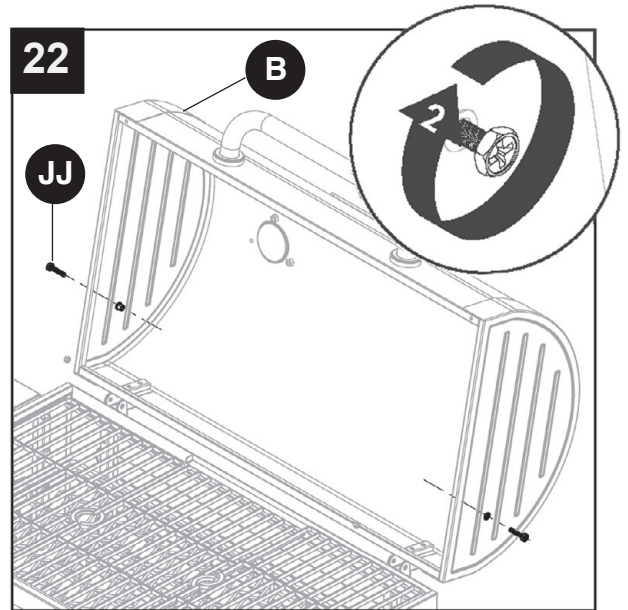
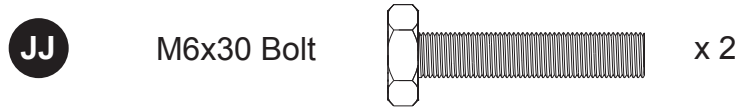
21. Place four grates (T) on lid and firebox assembly (B).



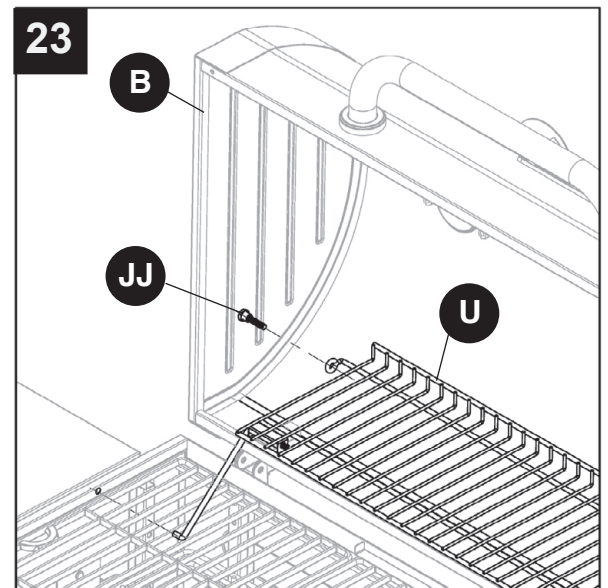
ASSEMBLY INSTRUCTIONS

22. Attach one M6x30 bolt (JJ) on each side of lid and firebox assembly (B). DO NOT fully tighten.

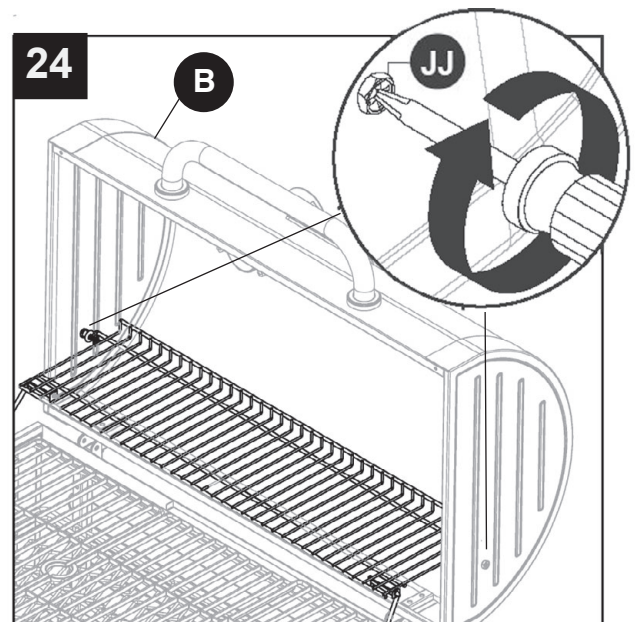
Hardware Used



23. Insert one end of warming rack (U) onto M6x30 bolt (JJ) and into the hole on lid and firebox assembly (B). Repeat for other side.



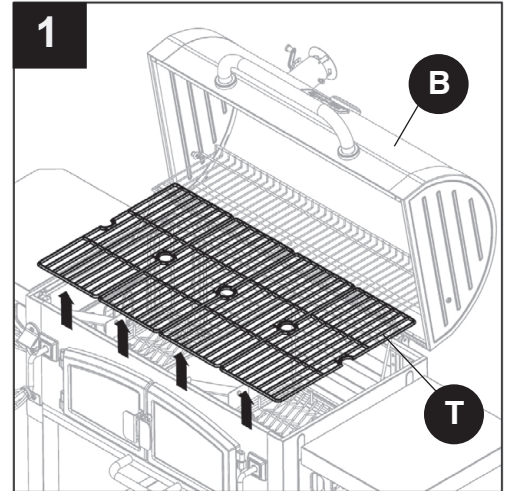
24. Fully tighten M6x30 bolts (JJ) on each side of lid and firebox assembly (B).



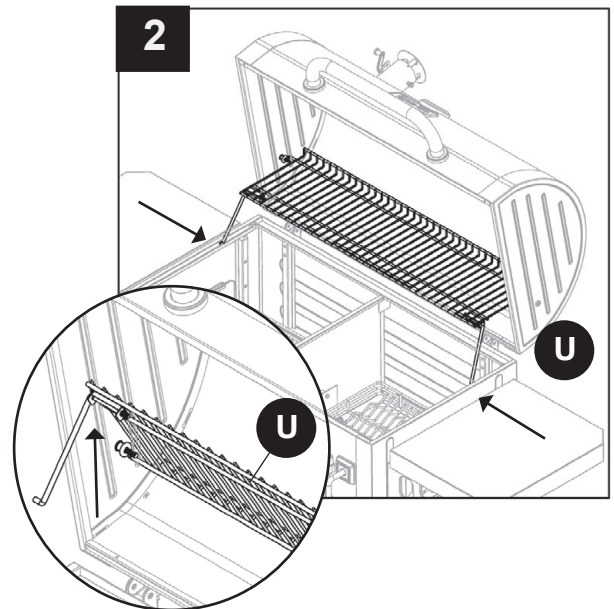
OPERATING INSTRUCTIONS

Removing divider panel from grill

1. Remove four grates (T) in lid and firebox assembly (B).

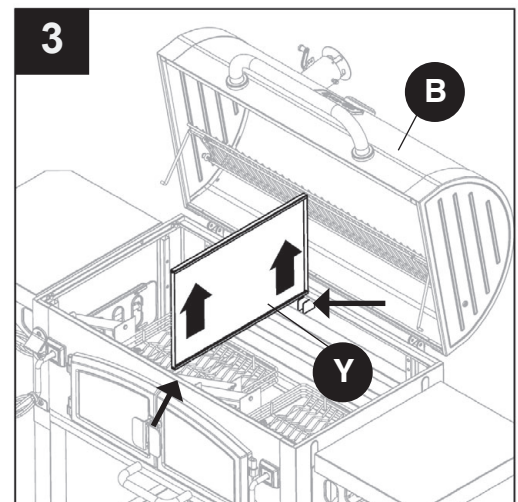


2. Remove warming rack supports (U), from the firebox, by pressing both bars in towards the center of the grill. Swing the warming rack (U) up, to make clearance for the divider panel (Y).



3. Remove divider panel (Y) from firebox assembly (B). Return grates and warming rack to their original positions.

NOTE: When placing the divider panel into the firebox assembly (B), please make sure the bottom of the divider fits between the support brackets located on the front and back sides of the firebox.



OPERATING INSTRUCTIONS

DANGER

- **CARBON MONOXIDE HAZARD.** Burning charcoal inside can kill you. It gives off carbon monoxide, which has no odor. NEVER burn charcoal inside homes, vehicles or tents.

This grill has an adjustable charcoal tray. By turning the crank handle, the charcoal tray can be raised or lowered to desired height. This allows for different heat settings depending on the food you are cooking and the temperature at which you want to cook. It also allows easy cleaning of the interior of the firebox after the unit has cooled down completely. It is not recommended to raise a fully loaded charcoal tray higher than the middle height setting.

NOTE: The grate is coated with porcelain which is a fragile coating. Handle with care to avoid damage. **DO NOT** cool the grate in cold water while it is still hot or the coating may crack. Let the grate cool off by itself.

Charcoal Lighting Instructions

- Open grill top.
- Remove cooking grates.
- Adjust the preferred charcoal tray(s) to the center position, and place one even row of charcoal briquettes in the tray.
- Make sure that charcoal does not go above the top of the tray.
- Light briquettes.
- Move charcoal tray(s) to the bottom position.
- With the top open, allow the briquettes to fully ignite (to the point where there is no further flame).
- Once the briquettes are lit, put the grates back in the grill using heat resistant gloves.
- Adjust charcoal tray as required to achieve the proper temperature.

Adjusting Temperature

- For maximum heat/temperature, open both side air vents located on the side of the main body as required. To reduce the heat/temperature, close the air vents on the side of the main body.

NOTE: The temperature should not go above 500°F(260°C). If the temperature goes above 500°F (260°C), you should open the lid and allow the briquettes to cool. The proper cooking temperature should not exceed 500°F (260°C).


Seasoning Unit

1. Before your first cooking you should season the unit to enhance the cooking and to provide better overall durability. Failure to properly follow these steps may damage the finish and/or impart metallic flavors to foods.
2. Remove all retail hangtags that are on the unit, making sure NOT to remove safety markings from the unit.
3. Place one even row of charcoal briquettes in both charcoal trays. Make sure that charcoal does not go above the top of the trays.
4. Coat interior surfaces with vegetable cooking oil.
5. Light briquettes and set charcoal tray at medium height by cranking the crank handle.
6. Sustain burn for about two hours with lid closed and all dampers to 1/4 of the way open. Allow the unit to cool down properly.
7. Once this is completed, the unit is ready for use.

OPERATING INSTRUCTIONS

Rust can appear on the inside of your grill. Maintaining a light coating of vegetable oil on interior surfaces will aid in the protection of your grill. Exterior surfaces of the grill may need occasional touch up. We recommend the use of commercially available black high temperature spray paint. NEVER PAINT THE INTERIOR OF THE UNIT!

Operating The Front Door, Dampers, And Smoke Stack

 **WARNING:** These metal parts could be very hot while grilling. Always operate these parts while wearing a heat-resistant glove.

- To open the door, lift the door slightly and pull.
- To close the door, lift the door slightly and push the door to the door frame catch.
- To adjust the side dampers, pull or push damper handle until desired air flow is achieved.
- To adjust the smoke stack, move the smoke stack adjustment handle away from the smoke stack and raise or lower the adjustment handle until the desired air flow is achieved.

Grilling

Charcoal is recommended, however wood or a combination of both may be used as the fuel source for grilling if the fuel source is placed and ignited on the charcoal pan. Do not build too large a fire. We recommend starting a fire with no more than 2 lbs of charcoal per tray (approximately 30 briquettes per tray) and adding more as needed during cooking. After allowing the fire to burn down, place the cooking grates in the unit. Failure to read and follow instructions for lighting charcoal may result in serious personal injury and or property damage.

WARNING

- Most surfaces on this unit are hot when in use. Use extreme caution. Keep others away from unit.
- Always wear protective clothing to prevent injury.
- Keep children and pets away.
- **DO NOT** move this unit during operation.
- Never substitute gasoline, kerosene or alcohol for charcoal starter. In some states, the use of charcoal starter is prohibited by law. In this case, paraffin-based starter cubes can be substituted for charcoal starter. Never use charcoal starter fluid with an electric starter.

CARE AND MAINTENANCE

Grill Maintenance

Frequency of cleaning is determined by how often the grill is used. Make sure coals are completely extinguished and the grates are cooled down before cleaning inside of the unit. To remove the stains on the lid and front panel caused by fumigation while grilling, use of a cleaning pad is recommended. Wipe out the interior of unit with a cloth or paper towel. Clean the grates with warm water and pat dry. The coating is fragile. Do not knock, hit or drop the grates.

WARRANTY

1-Year Limited Warranty

This charcoal grill is warranted for 1 year against broken or damaged parts at the time of purchase. It is warranted to be free of defects. Paint is warranted to be free of defects except for rust, which may appear after repeated use.

This warranty does not cover damage or issues related to neglect, abuse, or modifications to the appliance. Repair labor is not covered.

All parts that meet the warranty requirements will be shipped at no charge via the discretion of GHP Group, Inc (ground shipments, US Mail, or Parcel Post ONLY). Any special handling charges (i.e. Second Day, overnight, etc.) will be the responsibility of the consumer.

All warranty claims apply only to the original purchaser and require a proof of purchase verifying purchase date. This service is available by calling toll free 1-877-447-4768, 8:30 a.m. – 4:30 p.m. CST, Monday – Friday.

NOTICE: Some states do not allow the exclusion or limitations of incidental or consequential damages or limitations on how long an implied warranty lasts, so the above limitations or exclusions may not apply to you. This warranty gives you specific legal rights and you may also have other legal rights which may vary from state to state.

Manufactured by:
GHP Group Inc.
8280 Austin Avenue
Morton Grove, IL, USA
60053-3207

Item Name: Dual Chamber Charcoal Grill
Model #: DGN576SNC-D

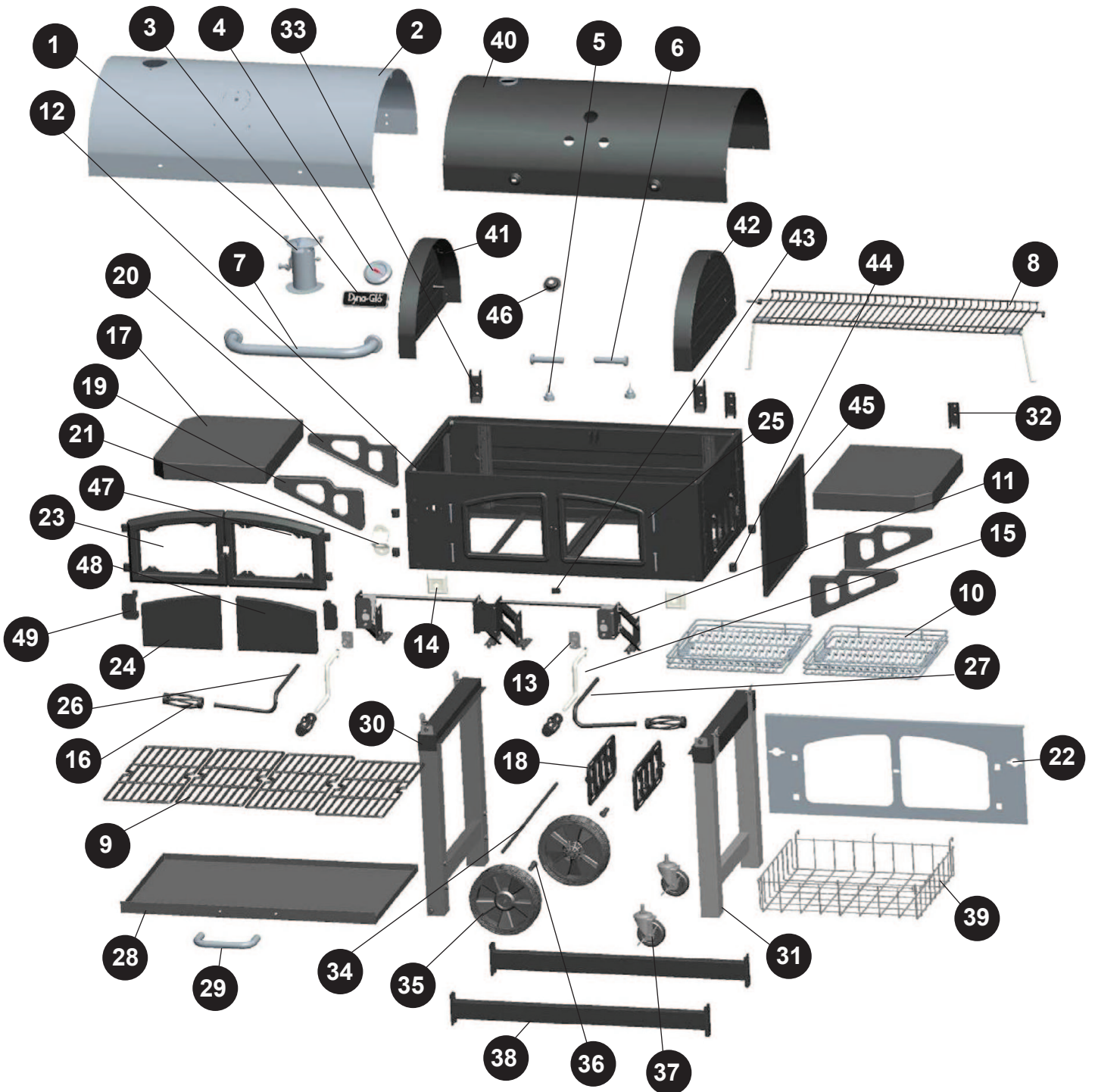
REPLACEMENT PARTS LIST

For replacement parts, call our customer service department at 1-877-447-4768, 8:30 a.m. – 4:30 p.m. CST, Monday – Friday.

PART	DESCRIPTION	PART #
n/a	Hardware pack	404-03025-00
n/a	Owner's/instruction manual	70-10-022
1	Smoke stack-stainless steel	404-01002-05
2	Lid outer	404-03003-03
3	DynaGlo badge	213-02002
4	Temperature gauge – with nut	213-02005
5	Lid bumper	403-01002-07
6	Lid pin with cotter pin	404-03002-03
7	Lid handle with hardware	403-01002-02
8	Warming rack with supports	403-03007-00
9	Cooking grate – 1 piece	403-03006-00
10	Charcoal tray (left or right)	404-03003-02
11	Charcoal tray adjustment arm assembly (left or right)	403-03003-04
12	Firebox bottom assembly ONLY, WITHOUT – side damper, charcoal pan/tray, arm assembly to charcoal pan/tray, crank arm assembly, front access door, and bottle opener	414-03003-01
13	Threaded mount for charcoal tray adjustment crank	404-02003-10
14	Charcoal tray adjustment crank handle bezel-with screws (left or right)	403-03003-05
15	Charcoal tray adjustment crank only (left or right)	403-02003-02
16	Charcoal tray adjustment crank handle or side damper adjustment crank handle (same)	403-02003-05
17	Side shelf	414-03004-01
18	Side damper adjustment plate – left or right	403-02003-08
19	Side shelf support-left front or right rear (same)	403-01004-01
20	Side shelf support-left rear or right front (same)	403-01004-02
21	Bottle opener	403-01003-05
22	Stainless front for firebox	414-03003-02
23	Charcoal access door frame only – left	404-03014-02
24	Charcoal access door insert with hardware – left	404-03015-01
25	Charcoal access door hinge pin with cotter pin	401-01013-03
26	Side damper adjustment bar – left (without wire grip)	404-02003-06
27	Side damper adjustment bar-right (without wire grip)	404-02003-07
28	Ash pan without handle	403-03005-01
29	Ash pan handle with hardware	403-01005-02
30	Left leg assembly	403-03001-01
31	Right leg assembly	403-03001-02
32	Upper lid hinge	404-03002-04
33	Lower lid hinge	404-03002-02
34	Axle rod for wheels	403-01018-00
35	Wheel	403-01019-00
36	Sleeve for wheel axle	403-01021-00
37	Caster (includes wrench)	403-01014-02
38	Bottom brace-front or rear (same)	403-03016-00
39	Storage basket	403-01015-00
40	Lid inner	404-01002-06
41	End cap--left	404-01002-07

REPLACEMENT PARTS LIST

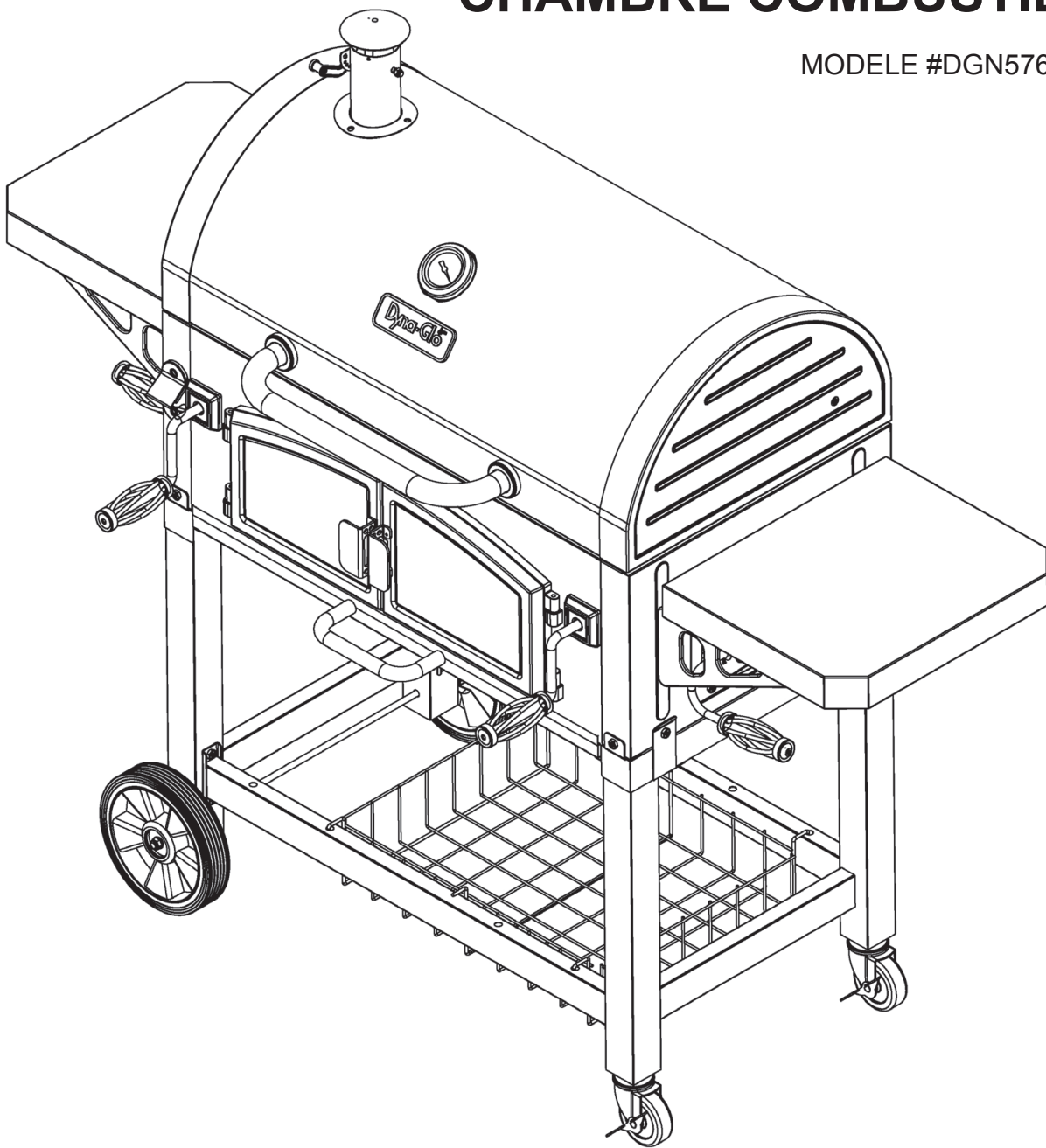
PART	DESCRIPTION	PART #
42	End cap--right	404-01002-08
43	Charcoal access door latch	403-03017-00
44	Charcoal access door hinge for firebox – with hardware	404-03016-00
45	Divider panel	404-03006-01
46	Temperature gauge nut bezel	213-02006
47	Charcoal access door frame only – right	404-03014-01
48	Charcoal access door insert with hardware – right	404-03015-02
49	Charcoal access door handle (left or right)	404-03017-01





GRIL À CHARBON DE BOIS À DOUBLE CHAMBRE COMBUSTIBLE

MODELE #DGN576SNC-D



JOIGNEZ VOTRE REÇU ICI

Numéro de série _____ Date d'achat _____



Des questions, des problèmes, des pièces manquantes? Avant de retourner l'article au détaillant, appelez notre service à la clientèle au 1-877-447-4768, 08:30-16 heures 30, HNC, du lundi - vendredi ou par e-mail à customerservice@ghpgroupinc.com.

TABLE DES MATIÈRES

Consignes de sécurité	21
Contenu de l'emballage	23
Quincaillerie incluse	24
Préparation	24
Instructions pour l'assemblage	25
Mode d'emploi	33
Entretien	36
Garantie	36
Liste des pièces de rechange	37



CONSIGNES DE SÉCURITÉ

Assurez-vous de lire et de comprendre l'intégralité de ce manuel avant de tenter d'assembler, d'utiliser ou d'installer le produit. Si vous avez des questions concernant ce produit, veuillez téléphoner au service à la clientèle au 1-877-447-4768, 08:30-16 heures 30, HNC, du lundi - vendredi.



ATTENTION

- Cette unité est lourde. DEUX PERSONNES DE SÉCURITÉ POUR ASSEMBLAGE REQUIS. Certaines pièces peuvent comporter des bords tranchants. Portez des gants si nécessaire. Lisez et suivez toutes les instructions de sécurité, les avertissements et les instructions de montage, utilisation et d'entretien avant d'essayer d'assembler et à utiliser.



AVERTISSEMENT

- Gardez un extincteur à proximité de ce produit à tout moment.
- Ce gril est pour usage extérieur seulement dans des zones bien ventilées.
- L'utilisation de médicaments d'alcool, d'ordonnance ou en vente libre peuvent nuire à la capacité de l'utilisateur à assembler correctement et en toute sécurité lors faire fonctionner cet appareil.



CONSIGNES DE SÉCURITÉ

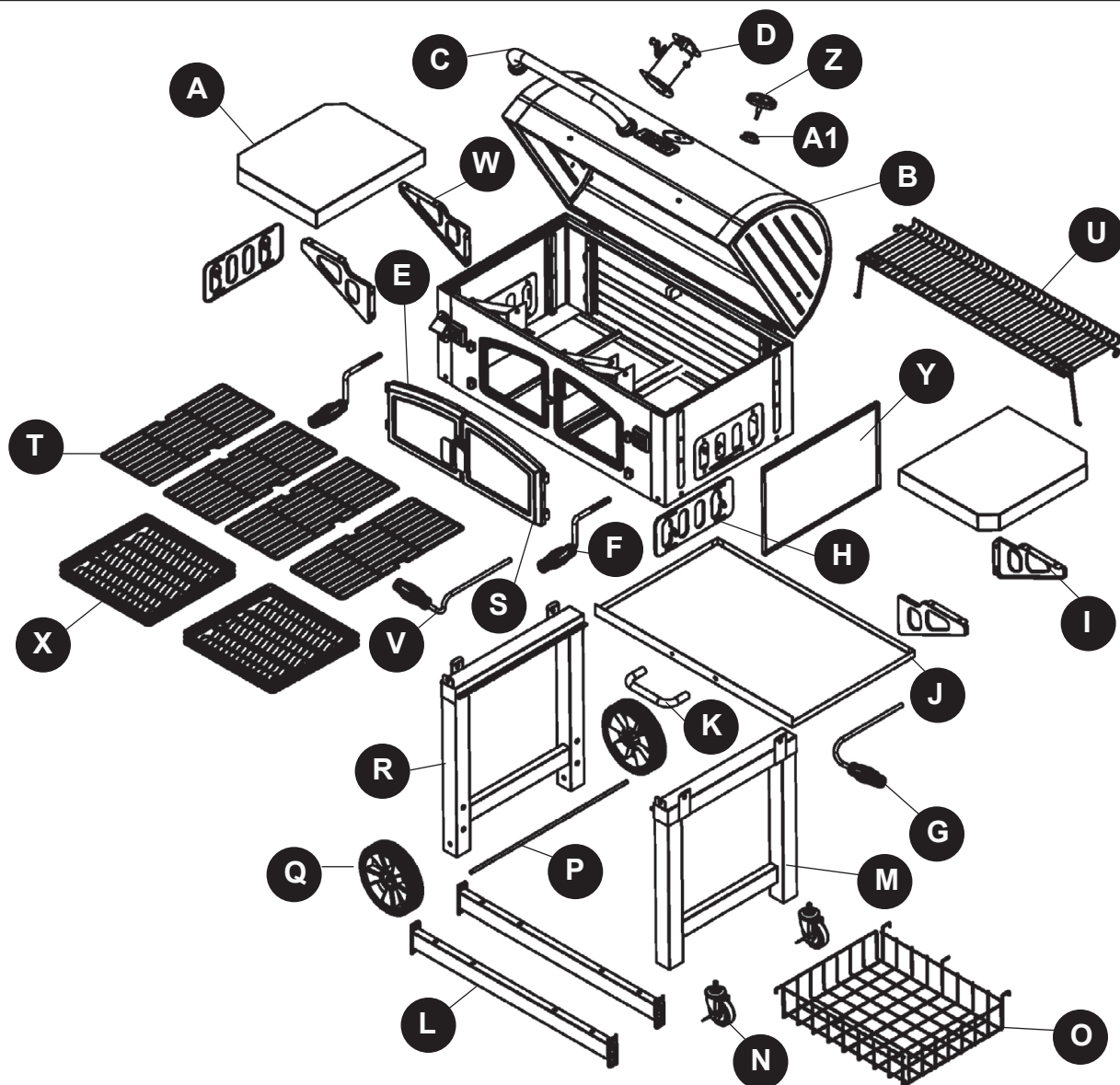
- Soyez prudent lorsque vous le levage et le déplacement de l'appareil pour éviter les maux de dos ou de blessures au dos. Ne déplacez pas l'appareil lorsqu'il est en cours d'utilisation.
- Ne pas faire fonctionner l'appareil à proximité de matériaux inflammables ou combustibles ou sous tel que les terrasses, les vérandas ou abris d'auto. Un dégagement minimum de 36 pouces. (91,4 cm) est recommandé. Ne pas faire fonctionner l'appareil dans les frais généraux de construction.
- Un dégagement minimal aux matériaux combustibles est de 36 po (91,4 cm) sur les côtés et le dos.
- NE PAS utiliser cet appareil comme un appareil de chauffage.
- Faites fonctionner l'appareil sur une surface stable, plane, ininflammable surface telle que l'asphalte, le béton ou la terre ferme. Ne pas faire fonctionner l'appareil sur des matériaux inflammables tels que des tapis ou terrasse en bois.
- Soyez prudent lorsque l'assemblage et le fonctionnement de cet appareil afin d'éviter les coupures et les éraflures de bords.
- NE PAS utiliser ce produit d'une manière autre que sa destination. Il n'est pas destiné à un usage commercial. Il n'est pas destiné à être installé ou utilisé dans ou sur un véhicule de loisir et / ou de bateaux.
- NE PAS entreposer cet appareil à proximité d'essence ou autres liquides inflammables ou de vapeurs inflammables où d'autres peuvent être présents.
- NE PAS entreposer ou d'utiliser cet appareil dans un endroit accessible aux enfants ou les animaux domestiques. Stockez l'appareil dans un endroit sec et protégé.
- NE PAS laisser l'appareil sans surveillance pendant son utilisation.
- NE PAS laisser les cendres chaudes sans surveillance jusqu'à la grille refroidit complètement.
- NE PAS déplacer l'appareil en cours d'utilisation ou en cendres sont encore chaudes. Laissez l'appareil refroidir complètement avant de déplacer ou de le ranger.
- Ne jamais utiliser d'essence ou d'autres liquides très volatils comme un démarreur.
- Toujours faire cuire vos aliments sur la grille après que la flamme est grillée.
- Disposez des cendres froides en les enveloppant dans du papier d'aluminium épais et placer dans un récipient incombustible. Assurez-vous qu'il n'y a pas d'autres matériaux combustibles ou à proximité du récipient.
- Si vous devez disposer des cendres en moins de temps qu'il n'en faut pour les cendres refroidir complètement, puis retirer les cendres de l'unité, en utilisant des gants isolants avec des pinces métalliques longues le long de pelle ou cheminée. Placez les braises dans du papier aluminium et faites-les tremper complètement avec de l'eau avant de les jeter dans un récipient incombustible.
- Laissez l'appareil refroidir complètement avant de procéder à tout nettoyage ou entretien régulier.



PROPOSITION 65 DE CALIFORNIE

- Les combustibles utilisés dans les appareils de chauffage et le charbon de bois et les produits de combustion de ces combustibles contiennent des produits chimiques connus dans l'État de Californie pour causer le cancer, des malformations congénitales ou d'autres problèmes de reproduction. Ce produit contient des produits chimiques, du plomb et des composés de plomb, y compris, reconnus par l'État de Californie pour causer le cancer, des malformations congénitales ou d'autres problèmes de reproduction. **Se laver les mains après manipulation.**




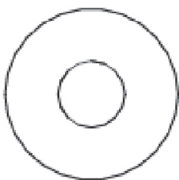


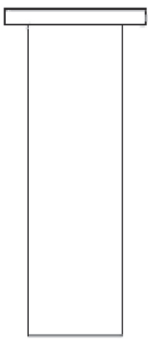



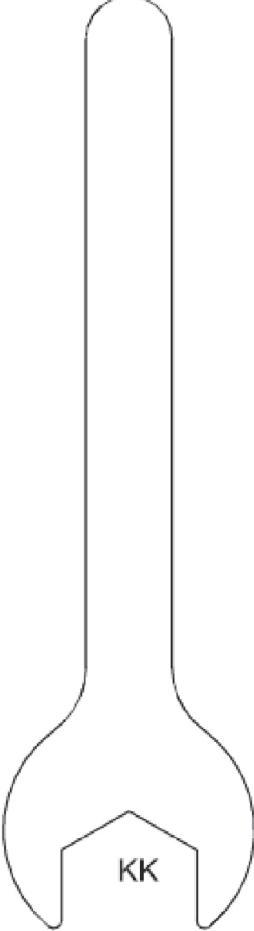
CONTENU DE L'EMBALLAGE



PIÈCE	DESCRIPTION	QTÉ
A	Tablette latérale	2
B	Couvercle et boîtier	1
C	Poignée du couvercle	1
D	Cheminée	1
E	Porte du compartiment à charbon	1
F	Manivelle	2
G	Poignée du registre de tirage-droite	1
H	Registre de tirage	2
I	Support de tablette latérale - droit arrière/gauche avant	2
J	Plateau à cendres	1
K	Poignée du plateau à cendres	1
L	Barre de soutien du chariot	2
M	Pattes droites	1
N	Roulettes	2

PIÈCE	DESCRIPTION	QTÉ
O	Panier de rangement	1
P	Axe de roue	1
Q	Roue	2
R	Pattes gauches	1
S	Accès charbon de porte-droit	1
T	Grille	4
U	Grille de réchauffement	1
V	Poignée du registre de tirage- gauche	1
W	Support de tablette latérale - gauche arrière/droit avant	2
X	Panier à charbon	2
Y	Panneau diviseur	1
Z	Indicateur de température	1
A1	Lunette de noix de température Jauge	1

HARDWARE CONTENTS (shown actual size)

 AA Vis M6 de 12 mm Qté : 31	 BB Vis M6 de 20 mm Qté : 14	 CC Boulon à épaulement M5 Qté : 8	 DD Rondelle de M8 Qté : 2	 EE Ecou M8 Qté : 2	
 FF Charnière Pin Qté : 10	 GG Gaine d'axe de roue Qté : 2	 HH Boulon d'articulation Qté : 4	 II M5 contre-écrou Qté : 8	 JJ Vis M6 de 30 mm Qté : 2	 KK Clé Qté : 1

PRÉPARATION

Avant de commencer l'assemblage du produit, assurez-vous d'avoir toutes les pièces. Comparez les pièces dans l'emballage avec la liste des pièces de la page précédente et la quincaillerie indiquée ci-dessus. S'il y a des pièces manquantes ou endommagées, ne tentez pas d'assembler le produit. Communiquez avec le service à la clientèle pour obtenir des pièces de rechange.

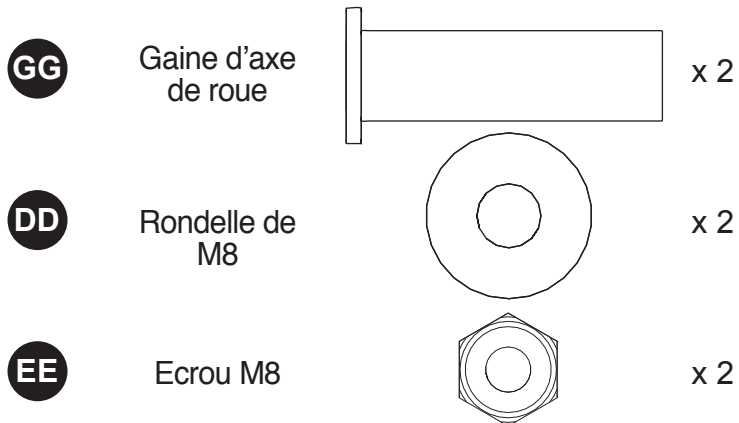
Temps d'assemblage approximatif : 50 minutes, par deux personnes

Outils nécessaires pour l'assemblage et la vérification des fuites (non inclus) : tournevis cruciforme

INSTRUCTIONS POUR L'ASSEMBLAGE

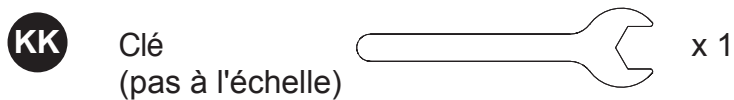
1. Insérez l'axe de roue (P) dans les pattes gauches (R). Fixez une roue (Q) à chaque extrémité de l'axe de roue (P) avec une gaine d'axe de roue (GG), une rondelle M8 (DD) et un écrou M8 (EE).

Quincaillerie utilisée



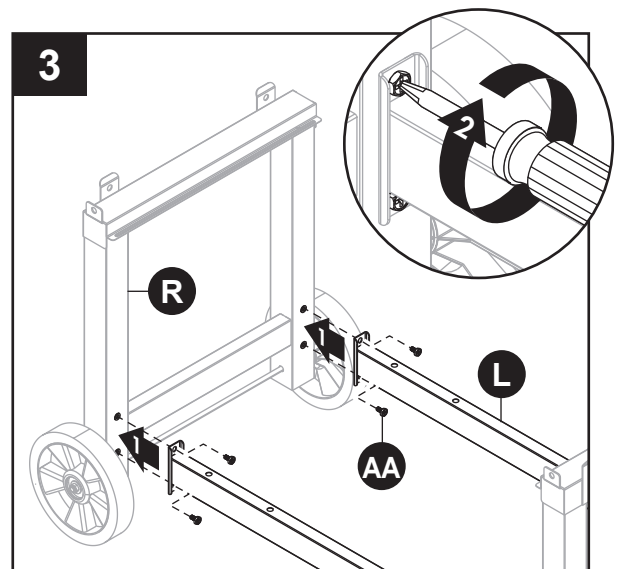
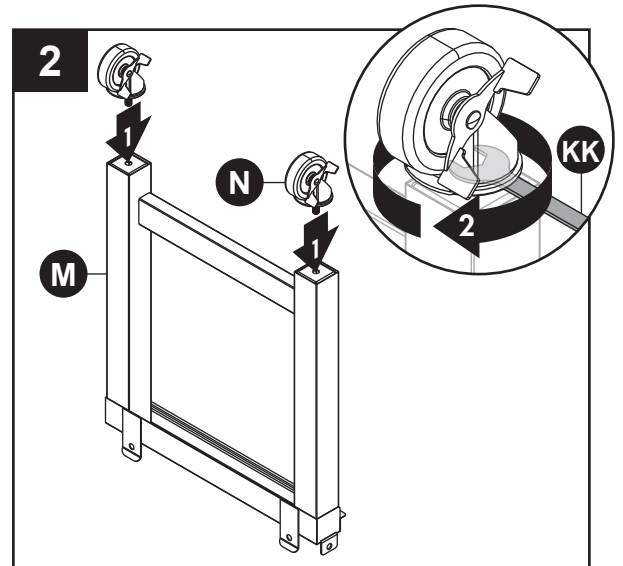
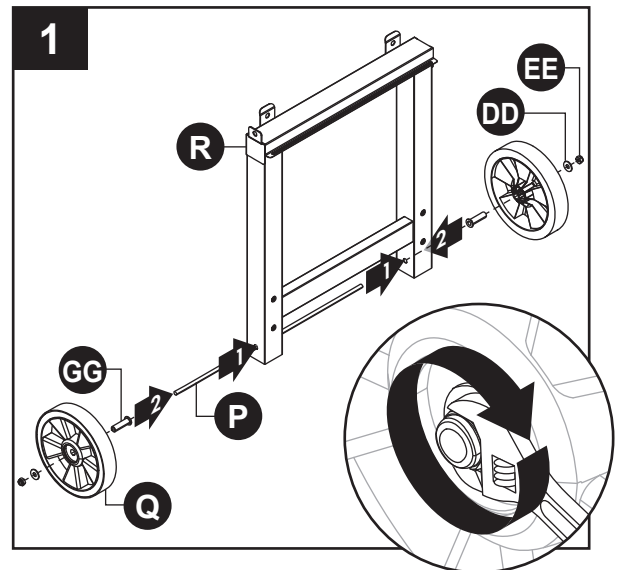
2. Fixez les roulettes (N) aux roues droites (M) et serrez avec la clef (KK).

Quincaillerie utilisée



3. Fixez les deux barres de soutien (L) aux pattes gauches (R) avec deux boulons M6x12 (AA) de chaque côté.

Quincaillerie utilisée

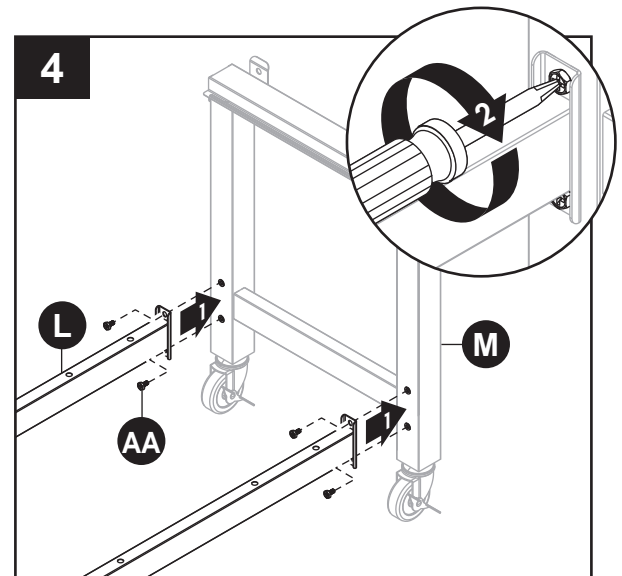
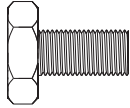


INSTRUCTIONS POUR L'ASSEMBLAGE

4. Fixez les deux barres de soutien (L) aux pattes droites (M) avec deux boulons M6x12 (AA) de chaque côté.

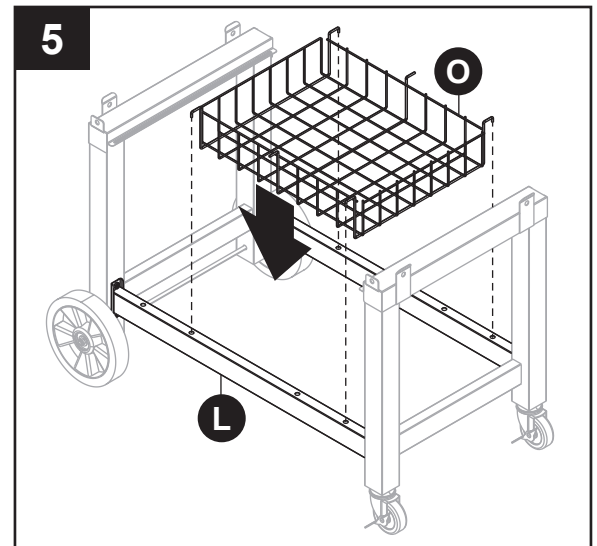
Quincaillerie utilisée

AA Vis M6 de 12 mm x 4

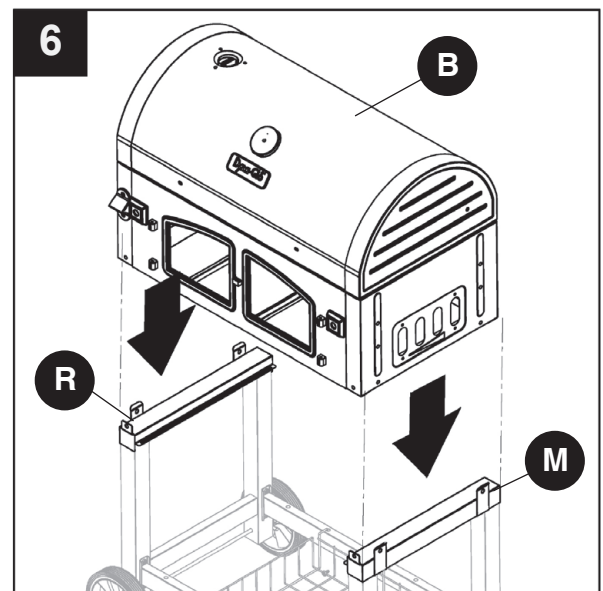


5. Fixez le panier de rangement (O) aux barres de soutien (L).

NOTE: Assurez-vous de bien insérer les quatre crochets du panier (O) dans les trous des supports du chariot (L).



6. Demandez à quelqu'un de vous aider à installer le couvercle et le boîtier du barbecue (B) sur les pattes gauches (R) et les pattes droites (M).

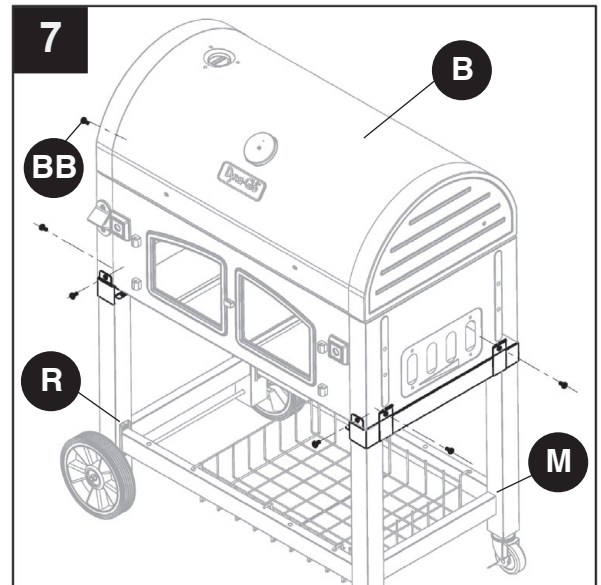


INSTRUCTIONS POUR L'ASSEMBLAGE

7. Fixez le couvercle et le boîtier du barbecue (B) sur les pattes gauches (R) et les pattes droites (M) avec six boulons M6x20 (BB).

Quincaillerie utilisée

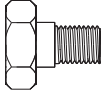

BB Vis M6 de 20 mm  x 6

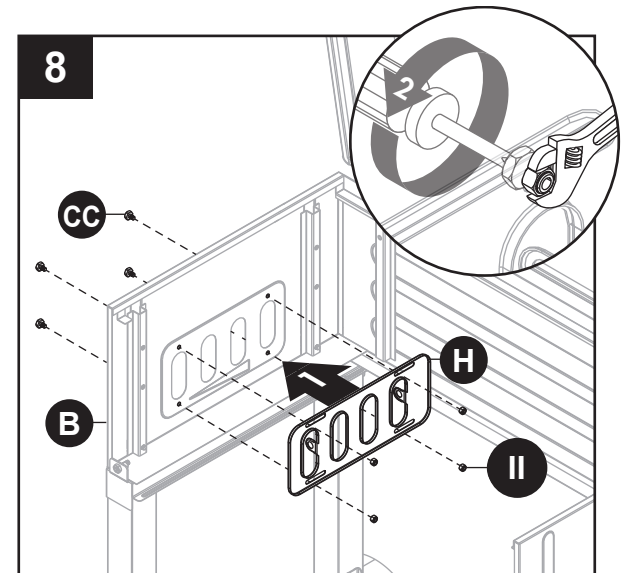


8. Fixez le registre de tirage (H) à l'intérieur du boîtier du barbecue sous le couvercle (B) avec quatre boulons à épaulement M5 (CC) et quatre écrous freinés M5 (II). Faites la même chose avec l'autre registre de tirage (H).

NOTE: La partie avant du couvercle et du boîtier (B) n'est pas montrée pour faciliter l'installation.


Quincaillerie utilisée

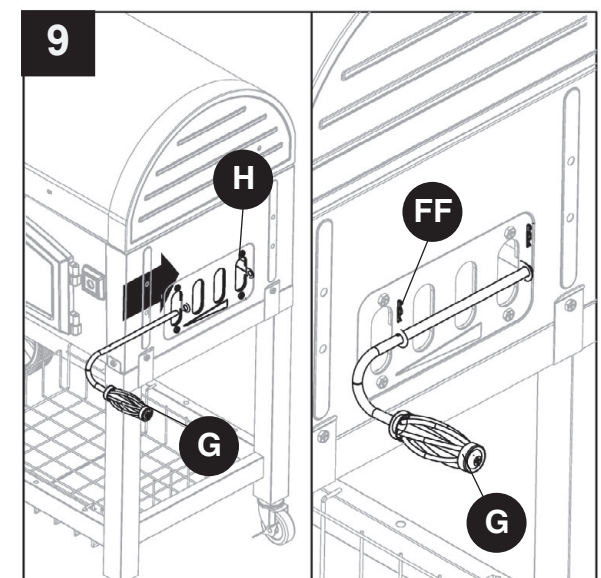
CC Boulon à épaulement M5  x 8
II M5 contre-écrou  x 8



9. Insérez la poignée du registre de tirage droit (G) dans les deux trous du registre (H). Faites tenir avec deux goupilles fendues (FF). Faites la même chose avec la poignée du registre gauche (V).

Quincaillerie utilisée

FF Goupille fendue  x 4

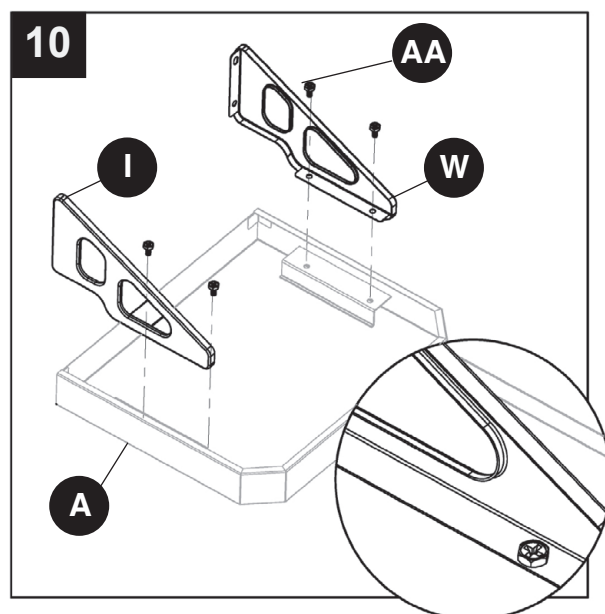


INSTRUCTIONS POUR L'ASSEMBLAGE

10. Placez la tablette à l'envers et fixez le support latéral gauche/arrière, droit/avant (W) et le support latéral gauche/avant, droit/arrière (I) à la tablette (A) avec quatre boulons M6x12 (AA) de chaque côté. Faites la même chose avec l'autre tablette.

Quincaillerie utilisée

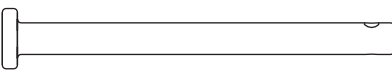
AA Vis M6 de 12 mm  x 8



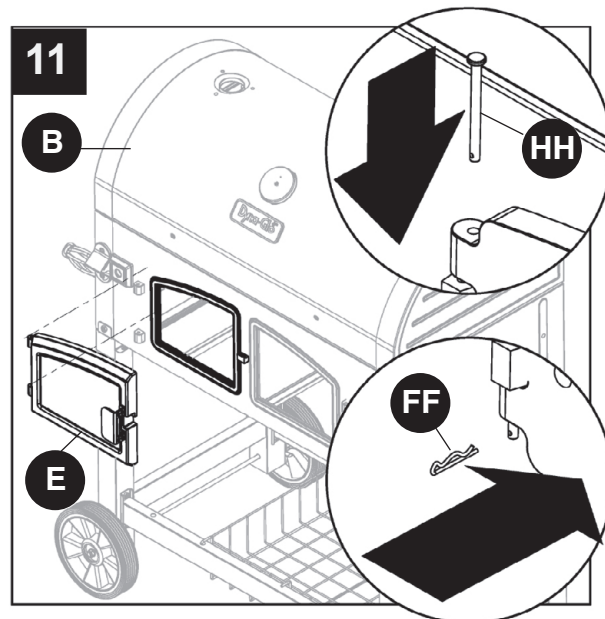
11. Fixez la porte d'accès gauche à la chambre de combustion (E) du gril à l'ensemble du foyer et couvercle (B). Insérez deux boulons à goupille dans cette porte d'accès (E) et fixez-la à l'aide de deux goupilles fendues (FF).

Répéter le même processus avec la porte d'accès à la chambre de combustion droite (S).

Quincaillerie utilisée

HH Boulon d'articulation  x 4

FF Goupille fendue  x 4

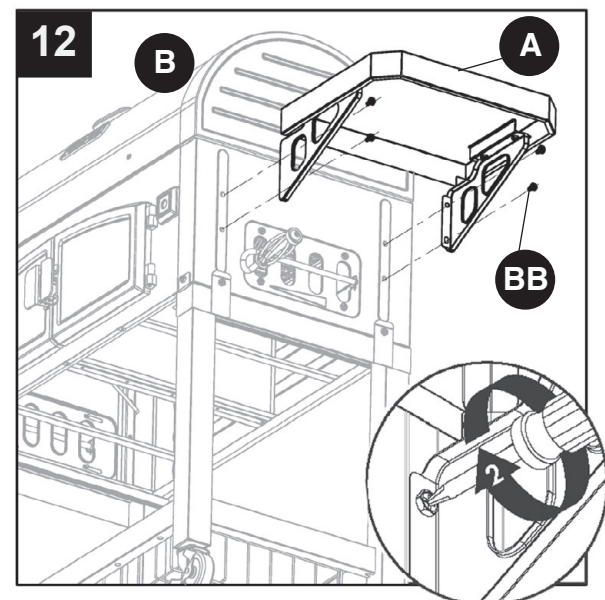


12. Fixez la tablette droite (A) au couvercle et au boîtier (B) avec quatre boulons M6x20 (BB). Faites la même chose à gauche avec l'autre tablette (A).

NOTE: Serrez les deux boulons du haut M6x20 (BB) avant de serrez les boulons du bas M6x20 (BB).

Quincaillerie utilisée

BB Vis M6 de 20 mm  x 8

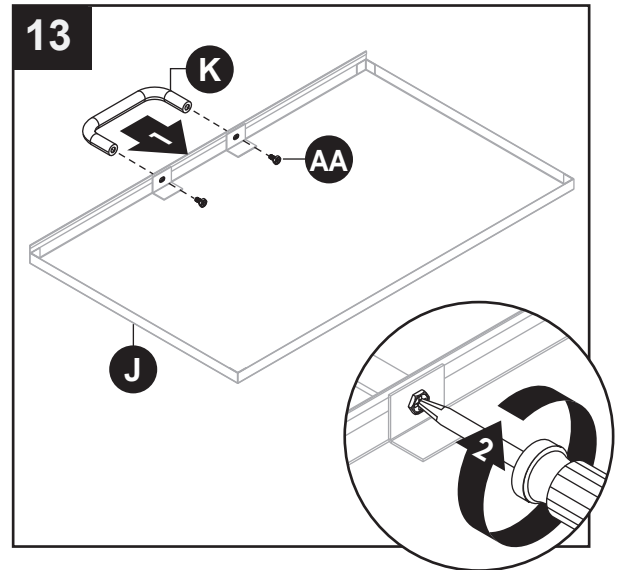


INSTRUCTIONS POUR L'ASSEMBLAGE

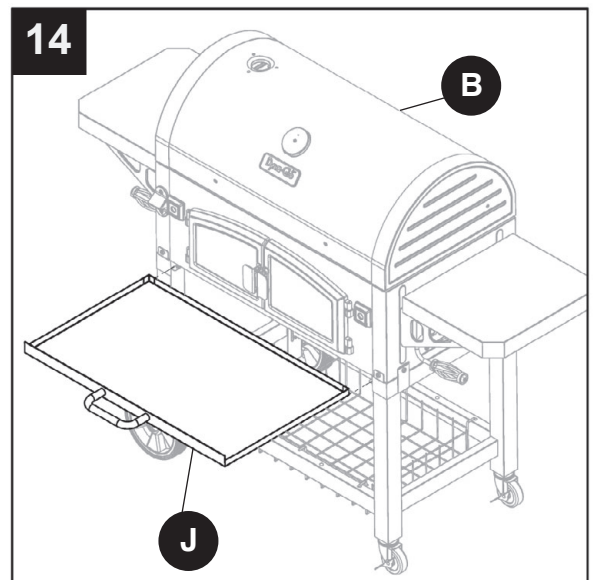
13. Fixez la poignée du cendrier (K) au cendrier (J) avec deux boulons M6x12 (AA).

Quincaillerie utilisée

AA Vis M6 de 12 mm  x 2



14. Mettez le cendrier (J) sous le boîtier du barbecue (B).

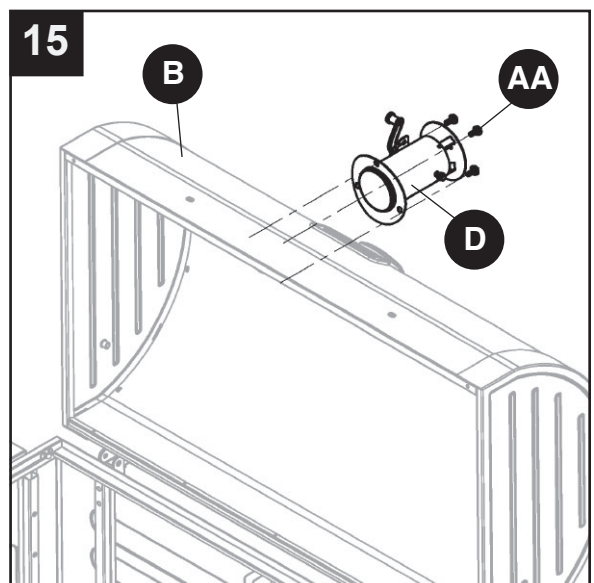


15. Fixez la cheminée (D) sur le couvercle du barbecue (B) avec trois boulons M6x12 (AA).

NOTE: Soyez certain que la poignée du registre de tirage se trouve du côté avant du barbecue.

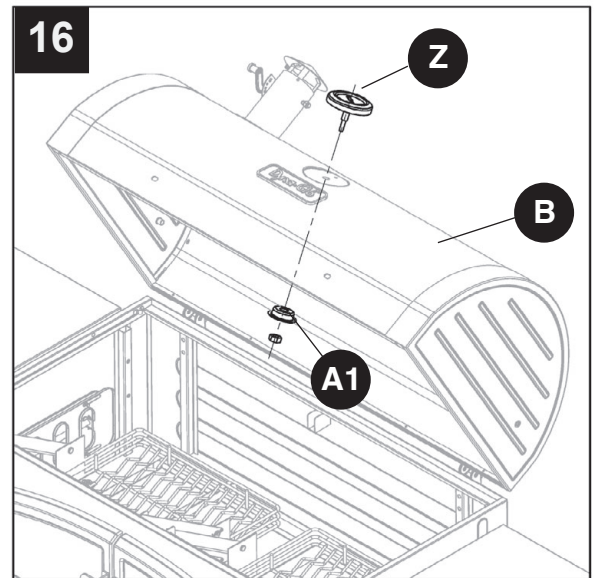
Quincaillerie utilisée

AA Vis M6 de 12 mm  x 3



INSTRUCTIONS POUR L'ASSEMBLAGE

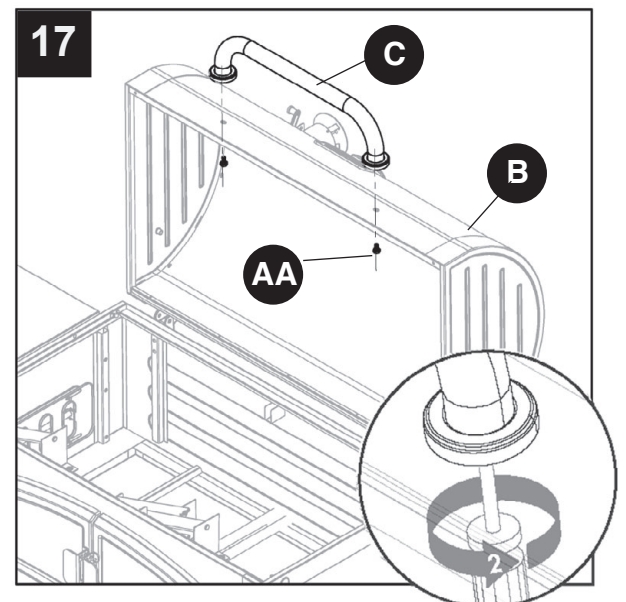
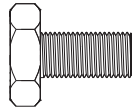
16. Fixez l'indicateur de température (X) au couvercle (B) avec un écrou.



17. Fixez la poignée du couvercle (C) au couvercle (B) avec deux boulons M6x12 (AA).

Quincaillerie utilisée

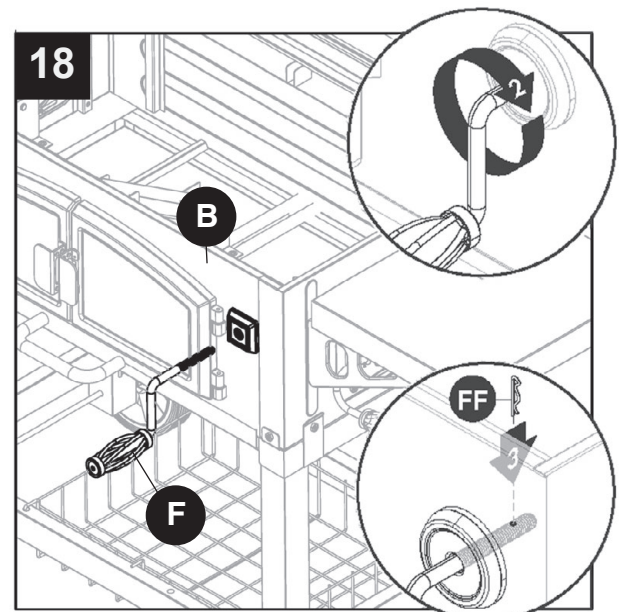
AA Vis M6 de 12 mm x 2



18. Insérez la manivelle (F) dans le boîtier du barbecue (B). Faites tenir avec une goupille fendue (FF).

Quincaillerie utilisée

FF Goupille fendue x 1



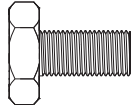
INSTRUCTIONS POUR L'ASSEMBLAGE

19. Fixez 2 bacs à charbon (X) à l'ensemble intérieur du couvercle et du foyer (B) avec l'aide de 4 boulons M6x12.

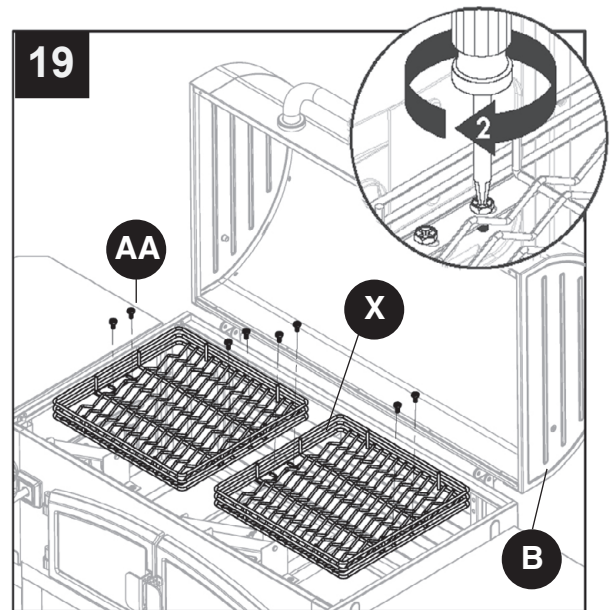
Quincaillerie utilisée

AA

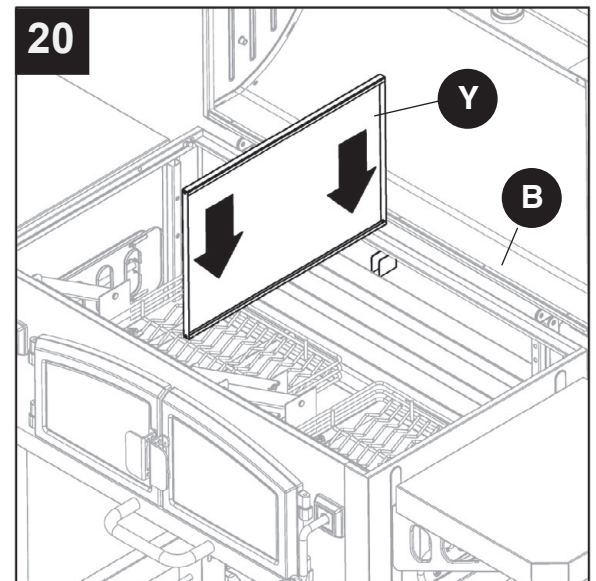
Vis M6
de 12 mm



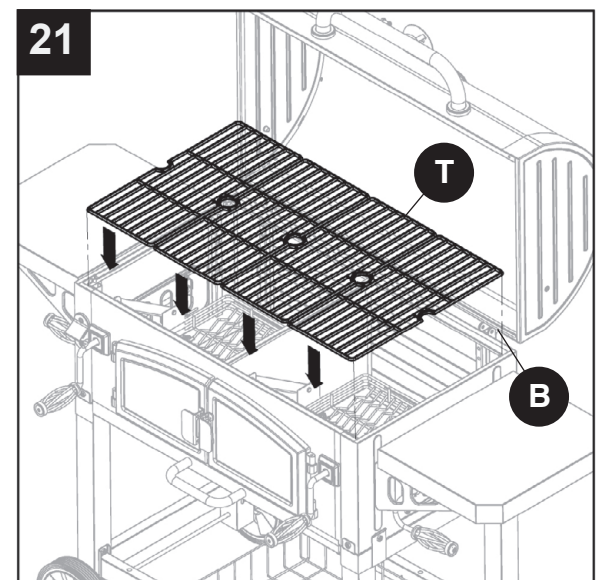
x 8



20. Insérez la cloison de séparation (Y) à l'intérieur du couvercle et de l'ensemble du foyer (B).



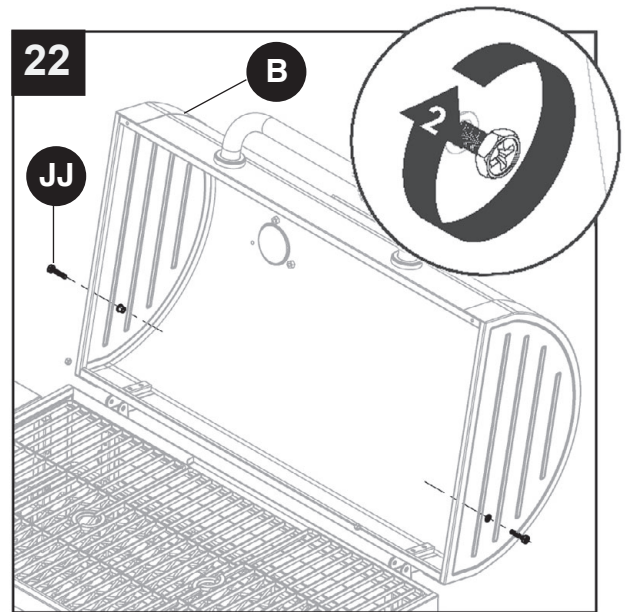
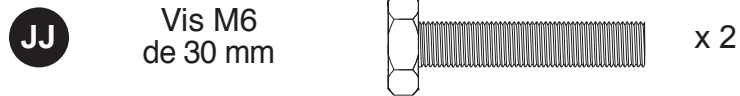
21. Placez quatre grilles (T) sur l'ensemble du foyer et du couvercle (B).



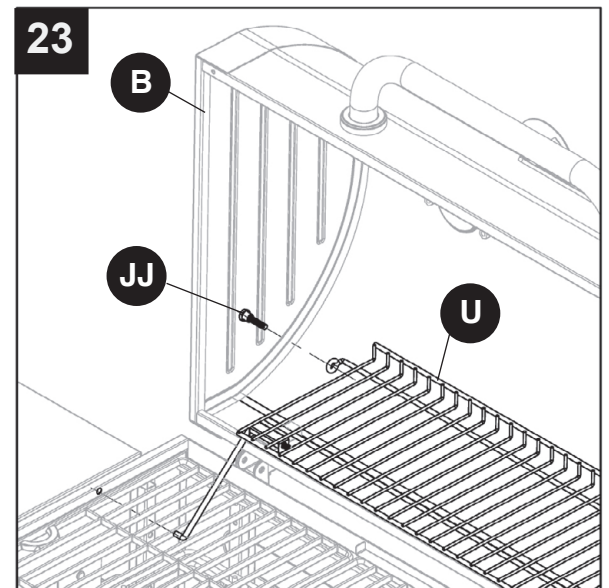
INSTRUCTIONS POUR L'ASSEMBLAGE

22. Insérez un boulon M6x30 (JJ) dans les parties latérales du couvercle (B), NE VISSEZ pas complètement.

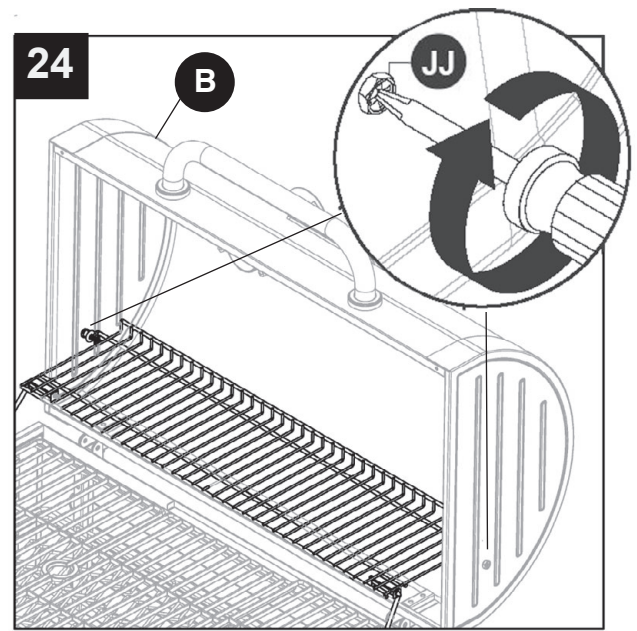
Quincaillerie utilisée



23. Insérez une extrémité de la grille de réchauffement (U) dans le boulon du couvercle M6x30 (JJ) et dans le trou du boîtier (B). Faites la même chose de l'autre côté.

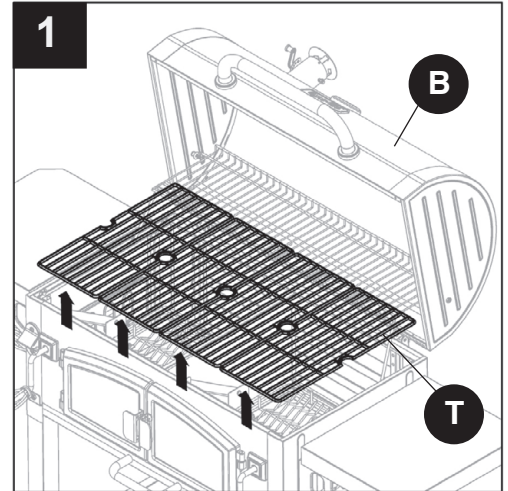


24. Serrez complètement les boulons M6x30 (JJ) de chaque côté du couvercle (B).

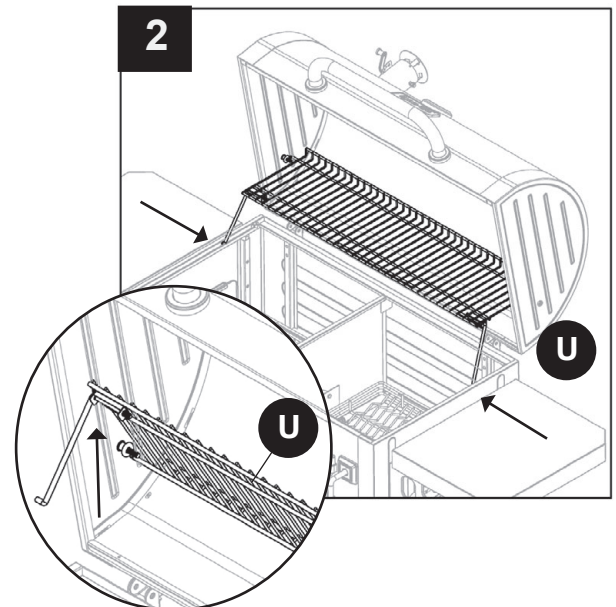


Retirer la cloison de séparation du grill

1. Retirez les quatre grilles (T) de l'ensemble du couvercle et du foyer (B).

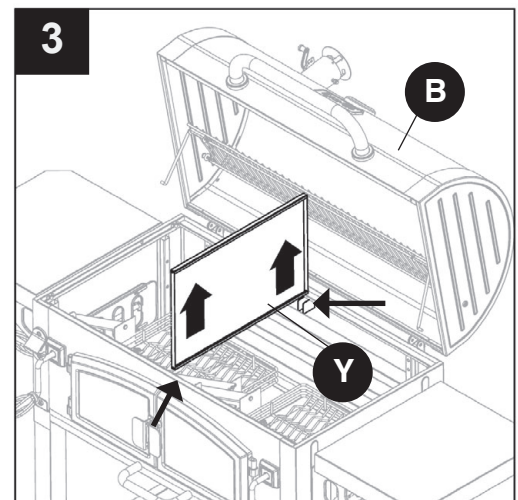


2. Retirez les supports de grille de réchaud (U) du foyer en appuyant sur les deux traverses tout en les tirant vers le centre du grill. Faites pivoter la grille de réchaud (U) vers le haut afin de faire de la place au cloison de séparation (Y).



3. Retirez la cloison de séparation (Y) de l'ensemble du foyer (B). Remettez les grilles et la grille de réchaud à leur position originale.

REMARQUE: En plaçant la cloison de séparation dans l'ensemble de foyer (B), assurez-vous, s'il vous plaît, que cette cloison soit bien logée entre les tasseaux de support situés sur le côté avant et arrière du foyer.



DANGER

• **DANGER MONOXYDE DE CARBONE.** Faire brûler du charbon à l'intérieur peut vous tuer. Les émissions de monoxyde de carbone qui s'y dégagent n'ont pas d'odeur. Ne faites JAMAIS brûler du charbon dans une maison, un véhicule ou une tente.

Il y a un plateau à charbon ajustable dans ce barbecue. Vous pouvez faire monter ou descendre le plateau à cendre en tournant la manivelle. Cela permet d'ajuster la température de cuisson en fonction du type d'aliment et du type de cuisson. Cela facilite aussi le nettoyage de l'intérieur du barbecue lorsque l'appareil est complètement refroidi. On ne recommande pas de lever un plateau de charbon plein à plus de la moitié du réglage de la hauteur.

NOTE: Le revêtement de la grille est fragile puisqu'il est fait de porcelaine. Manipulez avec soin pour ne pas l'endommager. NE refroidissez PAS la grille avec de l'eau froide lorsqu'elle est chaude puisqu'elle pourrait craquer. Elle se refroidira graduellement.

Instructions pour l'allumage du charbon

- Ouvrez le couvercle du barbecue
- Enlevez les grilles de cuisson
- Mettez le plateau de charbon à la mi-hauteur
- Mettez une couche uniforme de briquettes au charbon sur le plateau à charbon. Soyez certain que le charbon n'e déborde pas du plateau.
- Allumez les briquettes
- Mettez le plateau de charbon à la position du bas
- Laissez le couvercle ouvert jusqu'à ce que des flammes jaillissent des briquettes.
- Utilisez des gants résistant à la chaleur pour installer les grilles dans le barbecue lorsque les briquettes sont allumées.
- Ajustez le plateau de charbon pour obtenir la température désirée.

Réglage de la température

- Pour une température maximale, ouvrez et ajustez les deux événements sur les côtés du boîtier. Pour diminuer la température, fermez les événements sur les côtés du boîtier.

NOTE: La température ne doit pas être supérieure à 500°F (260°C). Vous devriez ouvrir le couvercle pour laisser refroidir les briquettes si la température est supérieure à 500°F (260°C). La température de cuisson ne doit pas être supérieure à 500°F (260°C).

La préparation

1. Vous devriez préparer l'appareil avant de l'utiliser la première fois, et ce, afin d'améliorer la qualité de la cuisson et la durabilité de l'appareil. Les aliments pourraient avoir un goût de métal et/ou la surface de l'appareil pourrait être endommagée si vous ne suivez pas ces instructions.
2. Enlevez les étiquettes mobiles du marchand sur l'appareil, mais N'ENLEVEZ PAS les avertissements de sécurité sur l'appareil.
3. Mettez une rangée uniforme de charbon sur le plateau à charbon. Soyez certain que le charbon ne déborde pas du plateau.
4. Appliquez une couche d'huile végétale de cuisson sur les surfaces à l'intérieur.
5. Allumez les briquettes et positionnez le plateau de charbon à la hauteur moyenne avec la manivelle.
6. Continuez à faire brûler pendant environ deux heures en gardant le couvercle fermé et les registres de tirage ouvert de ¼. Attendez le refroidissement de l'appareil.
7. Une fois terminé, l'appareil peut être utilisé.

Des traces de rouille peuvent apparaître à l'intérieur du barbecue. Une fine couche d'huile végétale à l'intérieur du barbecue protégera votre barbecue. Il faudra peut-être apporter des retouches sur les surfaces extérieures du barbecue. Nous vous recommandons d'utiliser de la peinture haute température en vaporisateur.



NE PEINTUREZ JAMAIS L'INTÉRIEUR DE L'APPAREIL!

Utilisation: La porte avant, registres de tirage, et la cheminée **AVERTISSEMENT:** Ces pièces de métal peuvent être très chaude lors de l'utilisation. Portez toujours des gants résistant à la chaleur lorsque vous touchez ces pièces.

- Pour ouvrir la porte, soulevez-la un peu et tirez.
- Pour fermer la porte, soulevez-la un peu et poussez-la sur le loquet.
- Ajustez le débit d'air en tirant ou en poussant la poignée des registres de tirage. Les registres sont sur les côtés.
- Ajustez le débit d'air de la cheminée en tirant la poignée dans le sens opposé de la cheminée et en baissant ou en levant la poignée jusqu'à l'obtention du débit d'air désiré.

Cuisson

Nous recommandons le charbon. Toutefois, le bois ou une combinaison des deux peut être utilisé comme combustible. Il faut placer ces matières combustibles sur le plateau avant de les allumer. Ne faites pas un trop gros feu. Nous recommandons de ne pas utiliser plus de 1,8 kg (environ 60 briquettes) et d'en ajouter d'autres au besoin lors de la cuisson. Placez les grilles de cuisson dans l'appareil avec des gants résistant à la chaleur lorsque le feu s'est éteint. Des blessures graves et/ou des dommages matériels peuvent survenir si l'on ne suit pas les instructions sur l'allumage du charbon.



Avertissement

- . La plupart des surfaces de l'appareil sont chaudes lors de l'utilisation. Soyez excessivement prudent
- . Ne laissez pas les personnes s'y approcher.
- . Portez des vêtements de protection pour empêcher les blessures.
- . Ne laissez pas les enfants et les animaux s'approcher.
- . **NE DÉPLACEZ PAS** l'appareil durant son utilisation.
- . Ne remplacez jamais l'allume-barbecue pour le charbon par de l'essence, du kérosène ou de l'alcool. La loi interdit dans certains États l'utilisation d'allume-barbecue pour le charbon. Dans ce cas, l'allume-barbecue en cube à la paraffine peu être utilisé au lieu d'un allume-barbecue pour le charbon . N'utilisez jamais un allume-barbecue liquide pour le charbon avec un allumeur électrique.

ENTRETIEN

Entretien du barbecue

Il faut nettoyer le barbecue en fonction de son utilisation. Soyez certain que les charbons sont complètement éteints et que les grilles sont refroidies avant de nettoyer l'intérieur de l'appareil. Nous recommandons l'utilisation d'un tampon nettoyeur pour enlever les taches sur le couvercle et le devant. Nettoyez l'intérieur avec un chiffon ou un essuie-tout. Nettoyez les grilles avec de l'eau tiède et asséchez en tapotant. Le revêtement est fragile. Il ne faut pas frapper ou laissez tomber les grilles.

GARANTIE LIMITÉE

Garantie limitée de 1 an

Ce barbecue est garanti 1 an contre les pièces cassées ou endommagées au moment de l'achat. Il est garanti exempt de défauts. La peinture est garanti exempt de défauts à l'exception de la rouille, qui apparaissent après un usage répété peut.

Cette garantie ne couvre pas les dommages ou les questions liées à la négligence, l'abus, ou des modifications à l'appareil. Les travaux de réparation ne sont pas couverts.

Toutes les pièces qui répondent aux exigences de garantie seront expédiés sans frais via la discrétion des GHP Group, Inc (expédition par voie terrestre, Mail États-Unis, ou par la poste SEULEMENT). Tous les frais de manutention spéciales (c.-à-deuxième jour, la nuit, etc) seront à la charge du consommateur.

Toutes les réclamations de garantie sont valables uniquement à l'acheteur original et nécessitent une preuve de la date d'achat de vérification. Ce service est disponible en composant le numéro sans frais 1-877-447-4768, 08:30-16 heures et demie HNC, du lundi - vendredi.

AVIS: Certains états ne permettent pas l'exclusion ou la limitation accidentels ou consécutifs de limitations sur les dommages ou la durée d'une garantie implicite, les exclusions ou limitations ci-dessus peuvent ne pas s'appliquer à vous. Cette garantie vous donne des droits légaux spécifiques et vous pouvez avoir d'autres droits légaux qui peuvent varier également d'un État à État.

Fabriqué par:
GHP Group Inc
8280 Austin Avenue
Morton Grove, IL, USA
60053-3207

Nom d'article : GRIL À CHARBON DE BOIS À DOUBLE CHAMBRE COMBUSTIBLE
Modele #: DGN576SNC-D

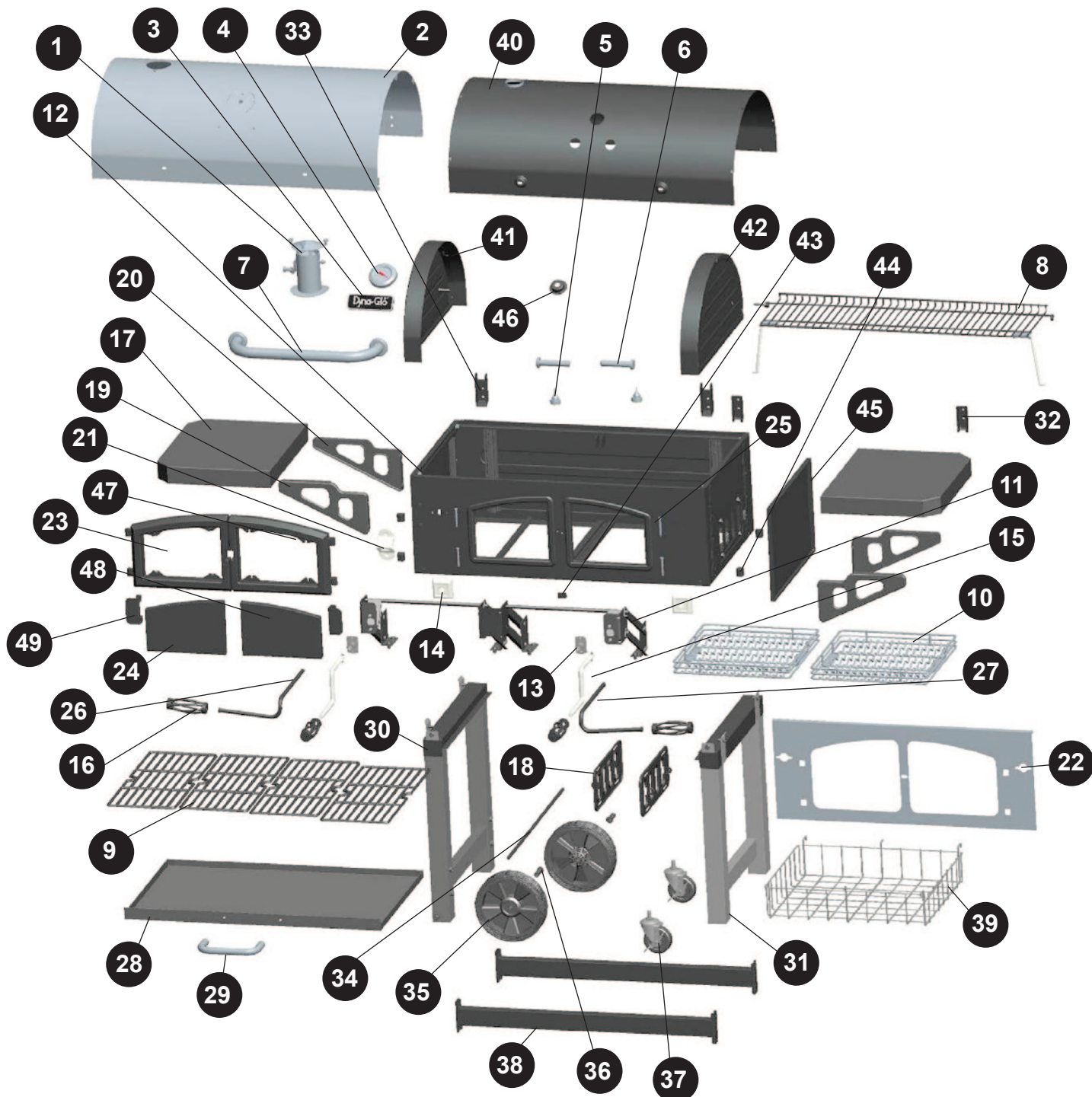
LISTE DES PIÈCES DE RECHANGE

Pour les pièces détachées, appelez notre service à la clientèle au 1-877-447-4768, 8 heures 30-16h30, HNC, du lundi - vendredi.

RÉF	DESCRIPTION	NO DE PIÈCE
n/a	Kit de quincaillerie	404-03025-00
n/a	Mode d'emploi / Manuel du propriétaire	70-10-022
1	Cheminée en acier inoxydable	404-01002-05
2	Extérieur du couvercle	404-03003-03
3	Badge Dyna-Glo	213-02002
4	Jauge de température – avec écrou	213-02005
5	Butoir du couvercle	403-01002-07
6	Goupille du couvercle avec goupille fendue	404-03002-03
7	Poignée de couvercle avec la quincaillerie	403-01002-02
8	Grille de réchaud avec les supports de fixation	403-03007-00
9	Grille de cuisson – 1 pièce	403-03006-00
10	Bac à charbon (gauche et droit)	404-03003-02
11	Ensemble du bras de réglage du bac à charbon (gauche et droit)	403-03003-04
12	Ensemble la partie inférieure du foyer SEULEMENT. NE SONT PAS COMPRIS-régulateur situé sur le côté, plateau/bac à charbon, ensemble de bras du plateau/bac à charbon	414-03003-01
13	Montage fileté de la manivelle de réglage du bac à charbon	404-02003-10
14	Collerette de poignée de manivelle de réglage du bac à charbon-(gauche ou droite)	403-03003-05
15	Manivelle de réglage du bac à charbon seulement (gauche ou droite)	403-02003-02
16	Poignée de la manivelle de réglage du bac à charbon ou la manivelle de réglage du régulateur	403-02003-05
17	Tablette latérale	414-03004-01
18	Plaque de réglage latérale du régulateur – gauche ou droite	403-02003-08
19	Support de tablette latérale – du côté gauche et devant ou du côté droit et à l'arrière	403-01004-01
20	Support de tablette latérale – du côté gauche et à l'arrière ou du côté droit et devant	403-01004-02
21	Ouvre-bouteille	403-01003-05
22	Plaque frontale inoxydable pour foyer	414-03003-02
23	Encadrement de la porte d'accès à la chambre de combustion seulement-celui de gauche.	404-03014-02
24	Insert de la porte d'accès à la chambre de combustion avec la quincaillerie-celui de gauche.	404-03015-01
25	Goupille de charnière la porte d'accès à la chambre de combustion avec goupille fendue.	401-01013-03
26	Barre de réglage du régulateur latéral- la gauche (sans poigne de tréfilerie).	404-02003-06
27	Barre de réglage du régulateur latéral – la droite (sans poigne de tréfilerie).	404-02003-07
28	Bac à cendre sans poignée	403-03005-01
29	Poignée du bac à cendre et sa quincaillerie	403-01005-02
30	Ensemble de l'encadrement du pied gauche	403-03001-01
31	Ensemble de l'encadrement du pied droit	403-03001-02
32	Charnière supérieure du couvercle	404-03002-04
33	Charnière inférieure du couvercle	404-03002-02
34	Essieu à roues	403-01018-00
35	Roue	403-01019-00
36	Manchon pour essieu à roue	403-01021-00
37	Roulette (avec clé à molette compris)	403-01014-02
38	Traverse de support du bas – par devant et par derrière (la même)	403-03016-00
39	Panier à rangement	403-01015-00
40	Intérieur du couvercle	404-01002-06
41	Bouchon – gauche	404-01002-07

LISTE DES PIÈCES DE RECHANGE

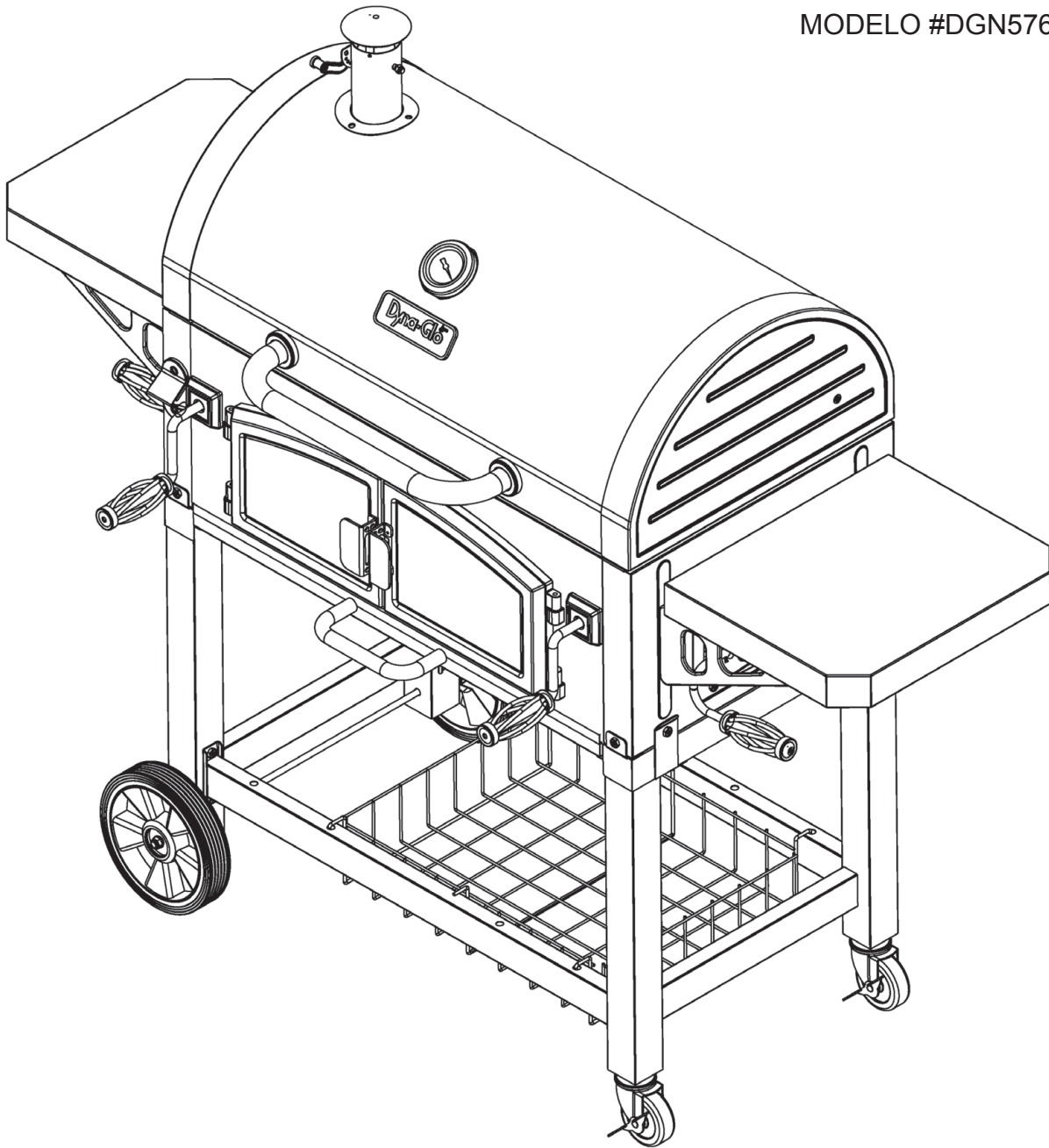
RÉF	DESCRIPTION	NO DE PIÈCE
42	Bouchon – droit	404-01002-08
43	Loquet de la porte d'accès au corps du gril à charbon	403-03017-00
44	Charnière de porte d'accès du foyer – avec sa quincaillerie	404-03016-00
45	Cloison de séparation	404-03006-01
46	Collerette d'écrou de la jauge de température	213-02006
47	Encadrement de la porte d'accès à la chambre de combustion seulement – Côté droit	404-03014-01
48	Insert de la porte d'accès à la chambre de combustion avec sa quincaillerie – Côté droit	404-03015-02
49	Poignée de la porte d'accès à la chambre de combustion (gauche ou droite)	404-03017-01





HORNO PARRILLA DE CAMARA DOBLE

MODELO #DGN576SNC-D



ADJUNTE SU RECIBO AQUÍ

Número de serie _____ Fecha de compra _____



¿Preguntas, problemas, piezas faltantes? Antes de volver a la tienda, llame a nuestro Departamento de Servicio al Cliente al 1-877-447-4768, de 8:30 am - 4:30 pm, hora central, de lunes - viernes o envíe un correo electrónico a customerservice@ghpgroupinc.com.

INDICE

Informacion de seguridad	40
Contenido del paquete	42
Aditamentos	43
Preparacion	43
Instrucciones de ensamblaje	44
Instrucciones de funcionamiento	52
Cuidado y mantenimiento	55
Garantia	55
Lista de piezas de repuesto	56



INFORMACION DE SEGURIDAD

Lea y comprenda completamente este manual antes de intentar ensamblar, usar o instalar el producto. Si tiene preguntas relacionadas con el producto, llame al Servicio al Cliente al: 1-877-447-4768, de 8:30 am - 4:30 pm, hora central, de lunes - viernes.



PRECAUCIÓN

- Esta unidad es pesada. DOS PERSONAS NECESARIAS PARA EL MONTAJE SEGURO. Algunas partes peut bordes afilados. Use guantes de protección si es necesario. Lea y siga todas las instrucciones de seguridad, advertencias, instrucciones de montaje y uso y cuidado antes de tratar de armar y usar.



ADVERTENCIA

- Mantenga un extinguidor de fuego cerca de este producto en todo momento.
- Esta parrilla es para uso exclusivo al aire libre en áreas bien ventiladas.
- El uso de drogas alcohol, con receta o sin receta puede usar la extraña habilidad de montar correctamente y de forma segura operar este aparato.

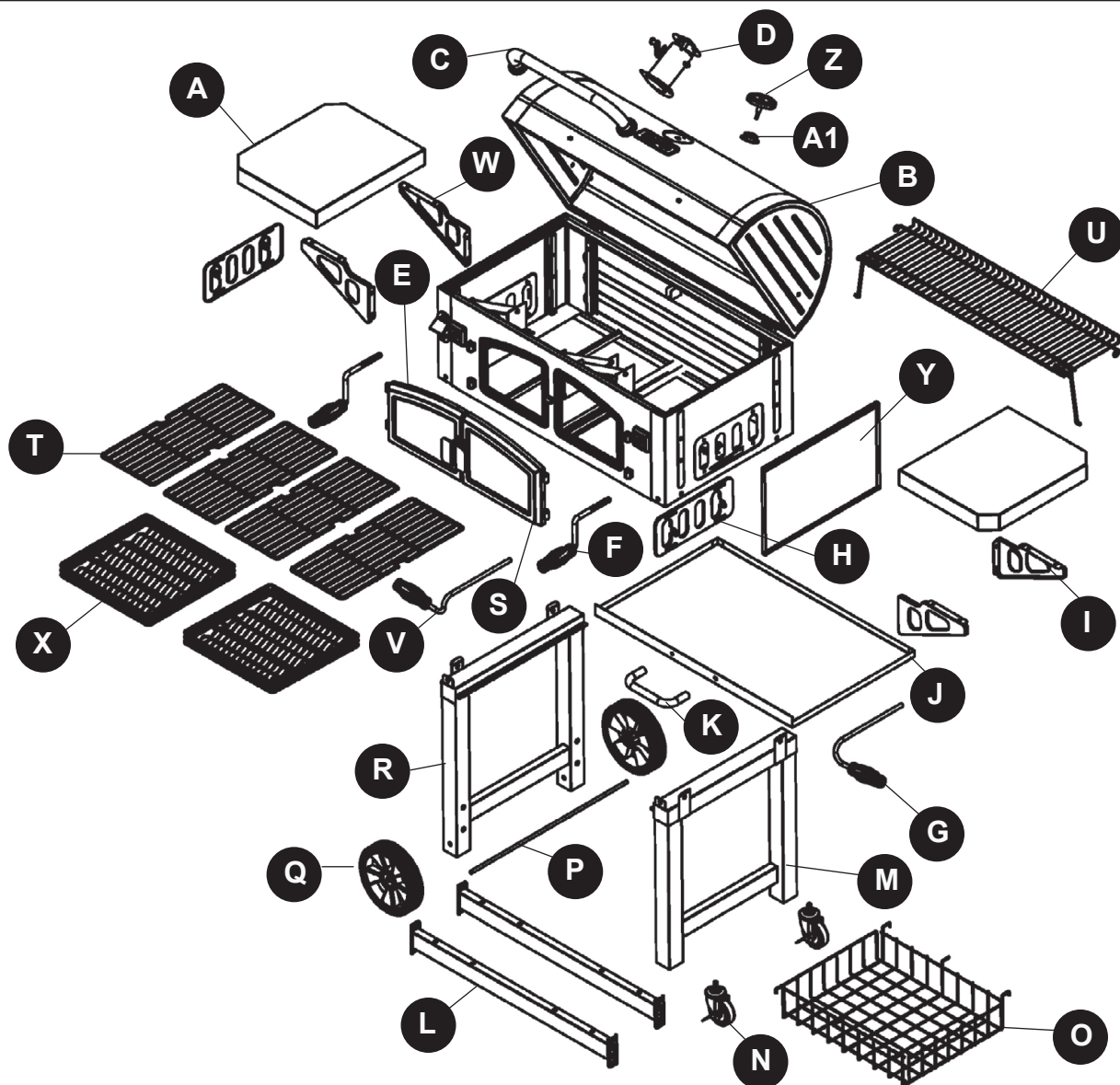
INFORMACION DE SEGURIDAD

- Tenga cuidado al levantar o mover el aparato para evitar lesiones en la espalda tensión o hacia atrás. No mueva la unidad mientras esté en uso.
- NO utilice el aparato cerca de materiales inflamables o combustibles o bajo Tales como terrazas, porches o cocheras. Un espacio mínimo de 36 pulgadas. (91,4 cm) se recomienda. NO opere la unidad en construcción por encima.
- Un espacio libre mínimo a la construcción de combustible es de 36 pulg (91,4 cm) desde los lados y atrás.
- NO use este electrodoméstico como un calefactor.
- Utilice la unidad sobre una superficie estable, nivelada, no inflamable de la zona como suelo de asfalto, concreto o sólido. NO opere la unidad sobre una superficie inflamable como una alfombra o cubierta de madera.
- Tenga cuidado al montar y operar esta unidad para evitar cortes y rasguños de los bordes.
- NO utilice este producto de una forma distinta a las TIC finalidad prevista. No se piensa para el uso comercial. No está diseñado para ser instalado o utilizado en o sobre un vehículo recreativo y / o barcos.
- NO almacene gasolina cerca de esta unidad u otros líquidos inflamables o combustibles, otra donde los vapores puedan estar presentes.
- NO almacene o utilice este producto en el año a disposición de los niños de la zona o mascotas. Almacene la unidad en un lugar seco protegido.
- NO deje la unidad desatendida mientras está en uso.
- NO deje ceniza caliente sin vigilancia hasta que la parrilla se enfríe completamente.
- NO mueva la unidad mientras esté en uso o cuando las cenizas están calientes. Deje que la unidad se enfríe por completo antes de moverlo o guardarlo.
- NUNCA utilice gasolina u otros fluidos altamente volátiles como titular.
- Siempre cocine los alimentos en la parrilla efectiva la llama se ha fundido.
- Deseche las cenizas frías envolviéndolas en papel de aluminio em pesado y colocación en un recipiente no combustible. Que hacer seguro que no hay otros materiales combustibles en o cerca del recipiente.
- Si usted debe tener las cenizas en menos tiempo que toma para que las cenizas se enfríen completamente, luego quite las cenizas de la unidad, utilizando guantes resistentes al calor, junto con pinzas de metal o una pala larga chimenea. Papel de aluminio en lugar de los carbones y em emparar completamente con agua antes de deshacerse de ellos en un recipiente no combustible.
- Deje que la unidad se enfríe completamente antes de limpiarlo o realizar cualquier mantenimiento rutinario.

PROPOSICIÓN 65 DE CALIFORNIA

- Los combustibles utilizados en la madera y el carbón ardiente electrodomésticos y los productos de la combustión de combustibles contienen sustancias químicas tales que el estado de California considera que produce cáncer, defectos de nacimiento u otros daños reproductivos. Este producto contiene productos químicos, plomo y compuestos de plomo, incluidos, según el Estado de California considera que produce cáncer, defectos de nacimiento u otros daños reproductivos. **Efectivas de manejo de lavarse las manos.**

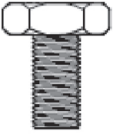


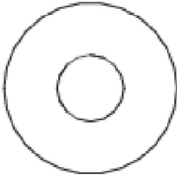


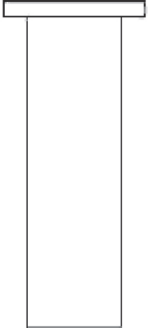



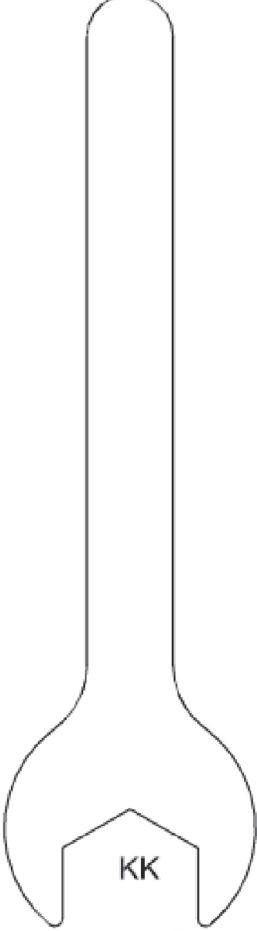
CONTENIDO DEL PAQUETE



PIEZA	DESCRIPCIÓN	CANT.
A	Repisa Auxiliar	2
B	Ensamble de Tapa y de Combustión	1
C	Ensamble de la Manija de la Tapa	1
D	Ensamble de la Chimenea	1
E	Carcoal puertas de acceso-Izquierda	1
F	Manivela	2
G	Manija del Amortiguador - Derecha	1
H	Amortiguador	2
I	Soporte de la Repisa Auxiliar - Trasero Derecho / Delantero Izquierdo	2
J	Bandeja de la Ceniza	1
K	Manija de la Bandeja de la Ceniza	1
L	Estribo del Carrito	2
M	Ensamble de la Pata Derecha	1
N	Ruedita	2

PIEZA	DESCRIPCIÓN	CANT.
O	Canasta de Almacenamiento	1
P	Eje	1
Q	Rueda	2
R	Ensamble de la Pata Izquierda	1
S	Charcoal puertas de acceso-Derecha	1
T	Parrilla	4
U	Parrilla de Calentamiento	1
V	Mango del Amortiguador - Izquierdo	1
W	Soporte de la Repisa Auxiliar - Trasero Izquierdo/Delantero Derecho	2
X	Bandeja para el Carbón	2
Y	Panel Divisor	1
Z	Medidor de temperatura	1
A1	Medidor de temperatura Nut Bisel	1

CONTENIDO DE HARDWARE (muestra en tamaño real)

AA	BB	CC	DD	EE	
					
Perno M6 x 12 Qté : 31	Perno M6 x 20 Qté : 14	M5 Tornillo de hombro Qté : 8	Arandela de M8 Qté : 2	M8 Tuerca Qté : 2	
FF	GG	HH	II	JJ	
					
Pasador Qté : 10	Pasador del eje de la rueda Qté : 2	Perno de la Bisagra Qté : 4	M5 Tuerca Qté : 8	Perno M6 x 30 Qté : 2	Llave inglesa Qté : 1

PREPARACION

Antes de comenzar a ensamblar el producto, asegúrese de tener todas las piezas. Compare las piezas con la lista del contenido del paquete de la página anterior y los aditamentos que aparecen arriba. No intente ensamblar el producto si falta alguna pieza o si estas están dañadas. Póngase en contacto con el Departamento de Servicio al Cliente para obtener piezas de repuesto.

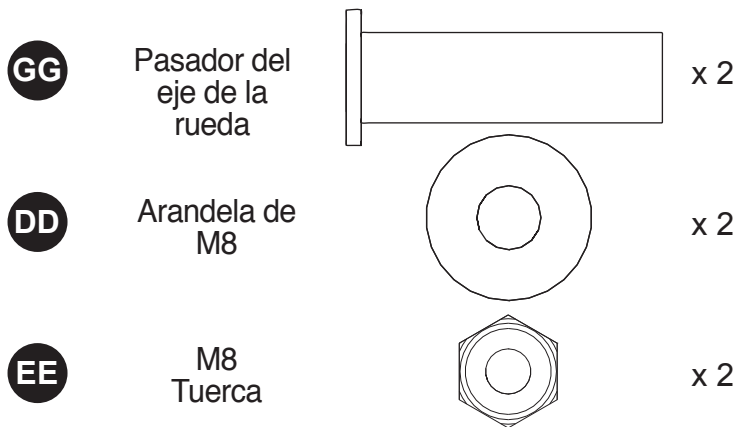
Tiempo estimado de ensamblaje: 50 minutos con 2 personas.

Herramientas necesarias para el ensamblaje y la prueba de fugas (no se incluyen):
Destornillador Phillips

INSTRUCCIONES DE ENSAMBLAJE

1. Inserte el eje (P) dentro del ensamblaje de la pata izquierda (R). Acople una rueda (Q) a cada lado del eje (P) utilizando un pasador del eje de la rueda (GG), una arandela M8 (DD), y una tuerca M8 (EE).

Aditamentos utilizados



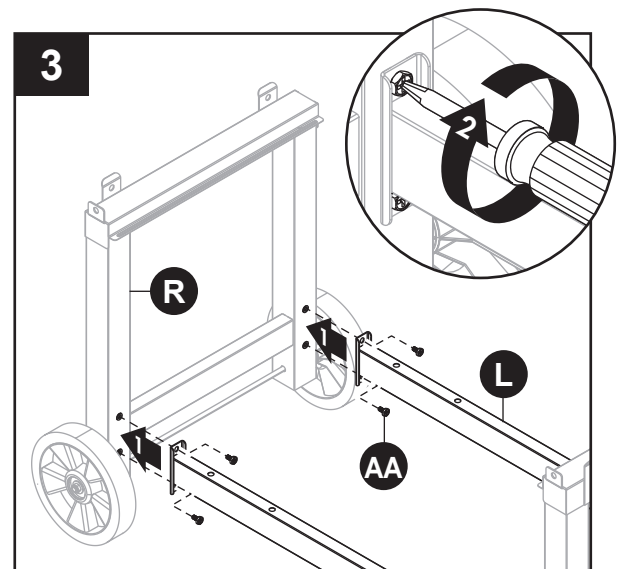
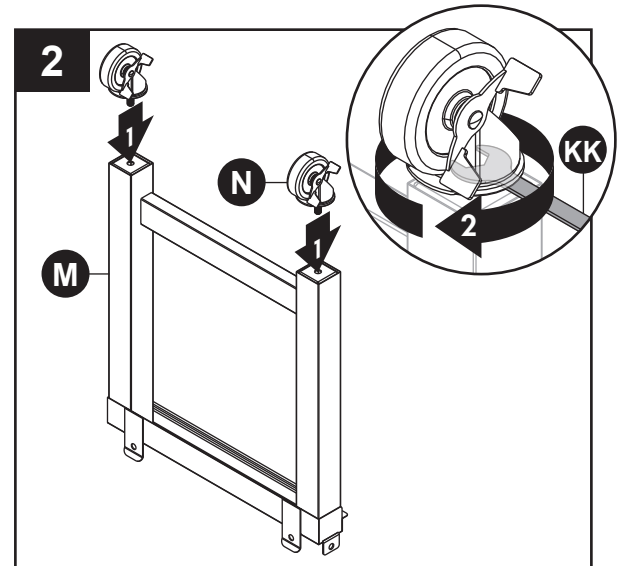
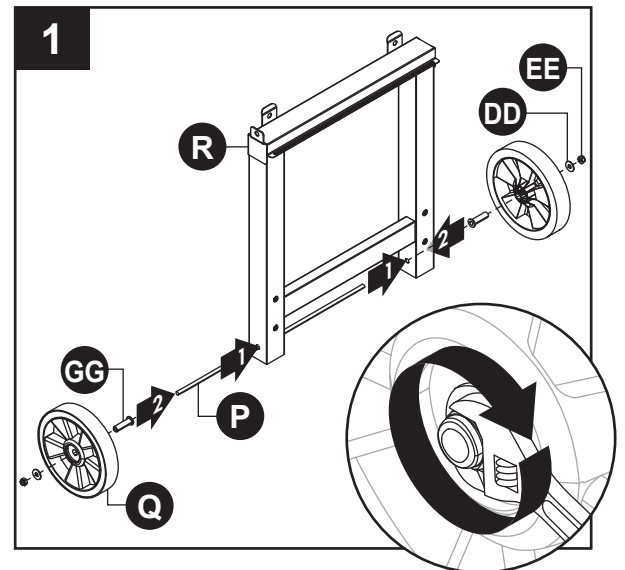
2. Acople dos rueditas (N) al ensamblaje de la pata derecha (M) y asegúrelas con la llave inglesa (KK).

Aditamentos utilizados



3. Acople los dos estribos del carrito (L) al ensamblaje de la pata izquierda (R) utilizando dos tornillos M6x12 (AA) en cada lado.

Aditamentos utilizados



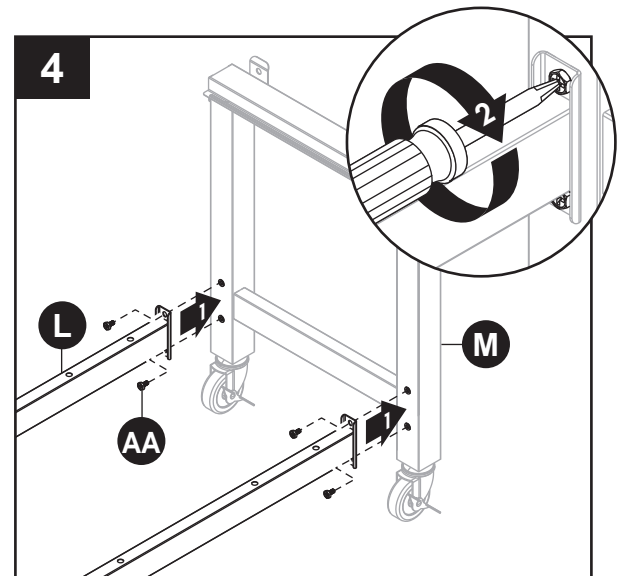
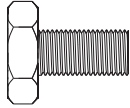
INSTRUCCIONES DE ENSAMBLAJE

- Acople los dos estribos del carrito (L) al ensamble de la pata derecha (M) utilizando dos tornillos M6x12 (AA) en cada lado.

Aditamentos utilizados

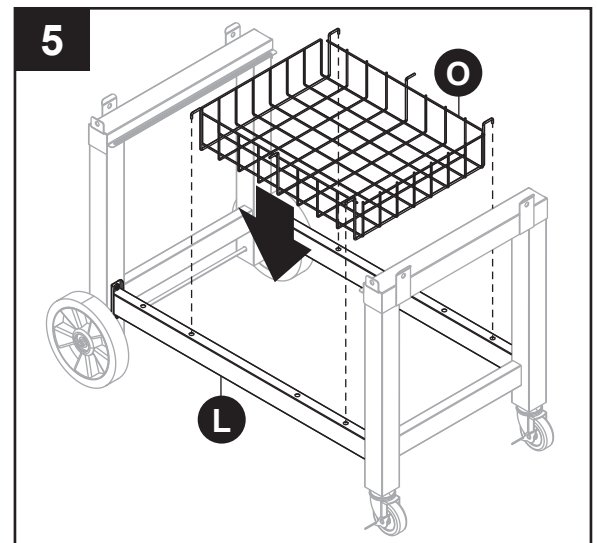
AA

Perno
M6 x 12

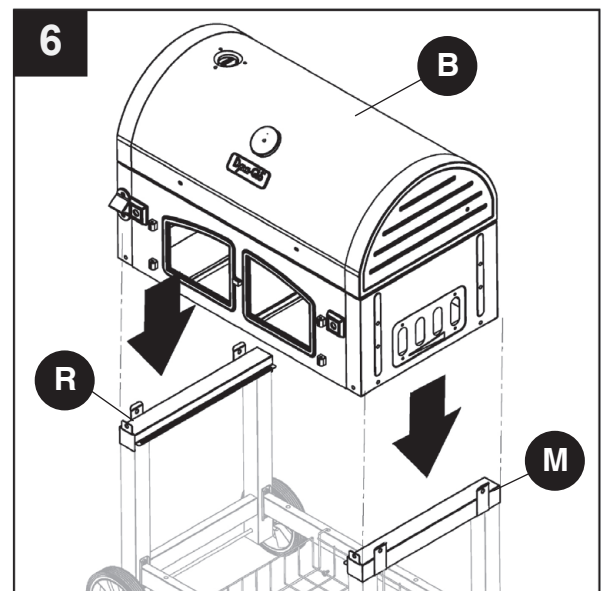


- Acople la canasta de almacenamiento (O) a los estribos del carrito (L).

NOTA: Asegúrese de que los cuatro ganchos de la canasta de almacenamiento (O) estén completamente insertados en los huecos de los estribos del carrito (L).



- Con la ayuda de una segunda persona, coloque el ensamble de la tapa y de la cámara de combustión (B) sobre los ensambles de las patas izquierda (R) y derecha (M).

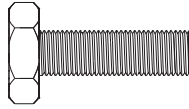


INSTRUCCIONES DE ENSAMBLAJE

7. Asegure el ensamble de la tapa y de la cámara de combustión (B) sobre el ensamble de las patas izquierda (R) y derecha (M) utilizando seis tornillos M6x20 (BB).

Aditamentos utilizados

BB Perno M6 x 20 x 6

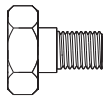


8. Acople el amortiguador (H) a la parte interna del ensamble de la tapa y de la cámara de combustión (B) utilizando cuatro tornillos con cuello M5 (CC) y cuatro tuercas de fijación M5 (II). Repita el proceso para el amortiguador restante (H).

NOTA: Para mayor claridad, la ilustración presenta retiradas la parte delantera del ensamble de la tapa y de la cámara de combustión (B).

Aditamentos utilizados

CC M5 Tornillo de hombro x 8



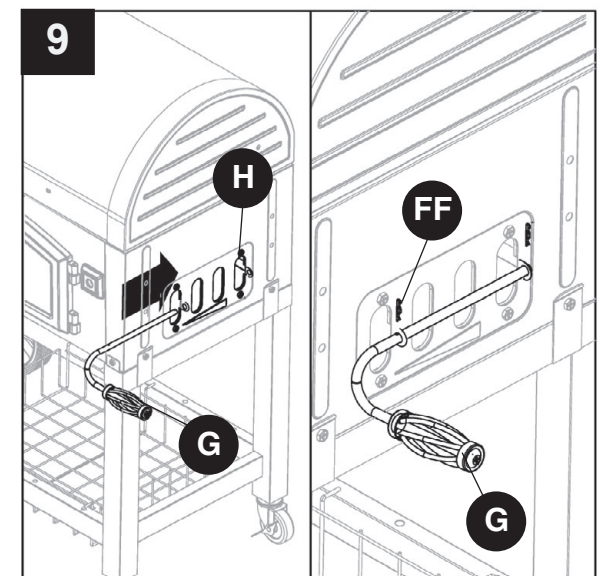
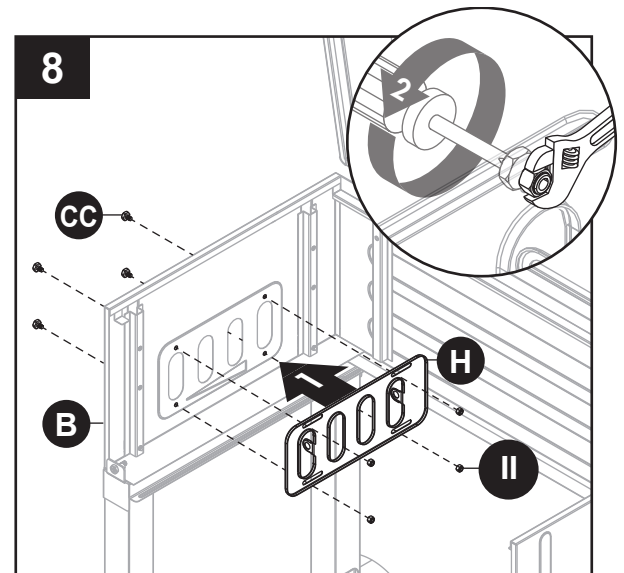
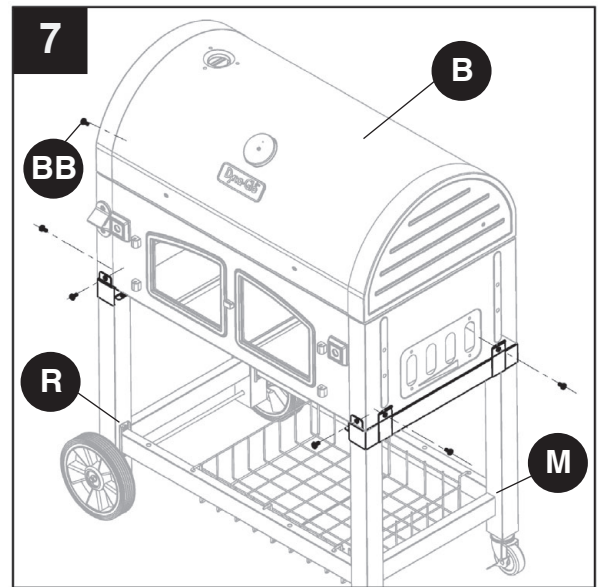
II M5 Tuerca x 8



9. Inserte la manija del amortiguador – derecha (G) dentro de los dos huecos del amortiguador del lado derecho (H). Asegúrela con dos pasadores de chaveta (FF). Repita el proceso para la manija del amortiguador del lado izquierdo (V).

Aditamentos utilizados

FF Chaveta x 4

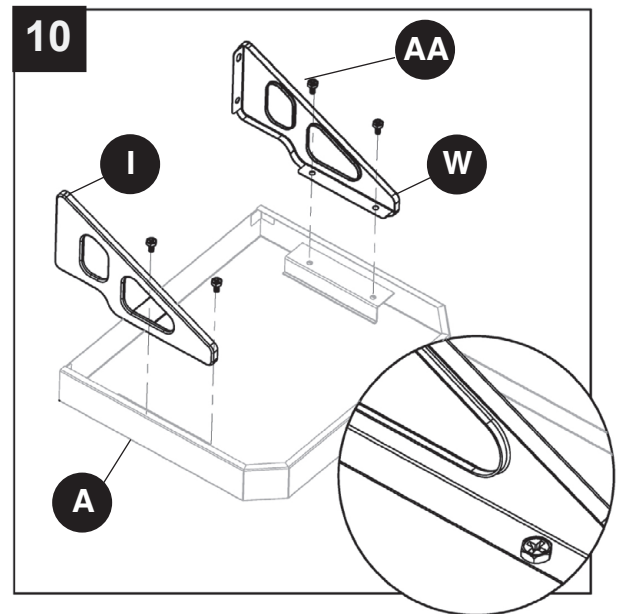
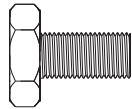


INSTRUCCIONES DE ENSAMBLAJE

10. Con la repisa boca-abajo, acople el soporte de la repisa auxiliar – trasero izquierdo/ delantero derecho (W) y el soporte de la repisa auxiliar – delantero izquierdo/trasero derecho (I) a la repisa auxiliar (A) utilizando cuatro tornillos M6x12 (AA) en cada lado. Repita el proceso para la repisa restante (A).

Aditamentos utilizados

AA Perno M6 x 12 x 8

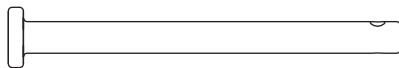


11. Colocar la puerta izquierda de acceso al carbon (E) a la tapa del fogon (B). Insertar dos valvulas (HH) a las bisagras de la puerta de acceso al carbon (E) y asegurar con dos chavetas (FF)

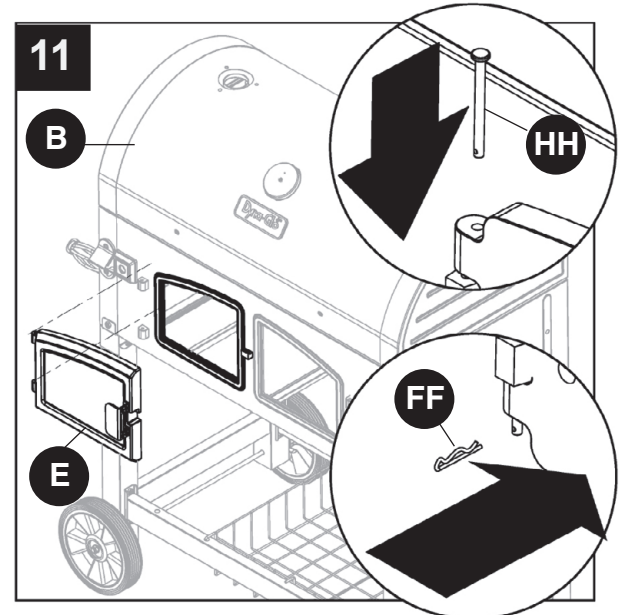
Repita lo mismo para la puerta del lado derecho

Aditamentos utilizados

HH Perno de la Bisagra x 4



FF Chaveta x 4

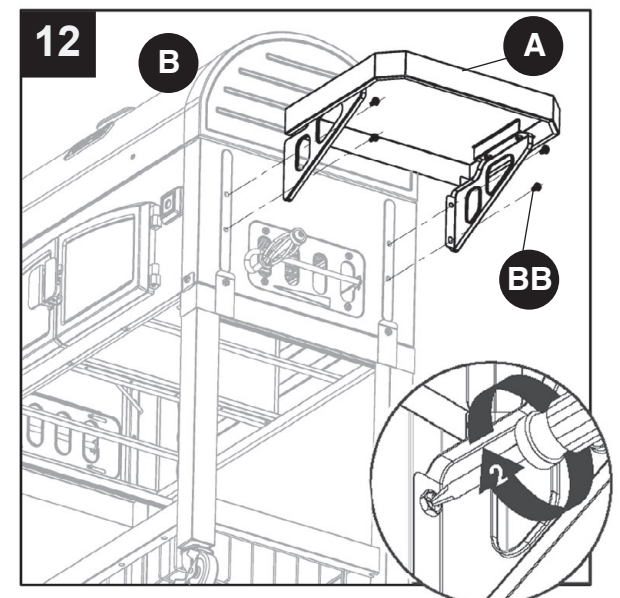
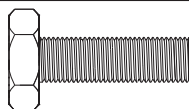


12. Acople la repisa auxiliar derecha (A) al ensamble de la tapa y de la cámara de combustión (B) utilizando cuatro tornillos M6x20 (BB). Repita el proceso en el lado izquierdo con la repisa auxiliar restante (A).

NOTA: Primero que todo asegure dos tornillos superiores M6x20 (BB) y luego los tornillos inferiores M6x20 (BB).

Aditamentos utilizados

BB Perno M6 x 20 x 8

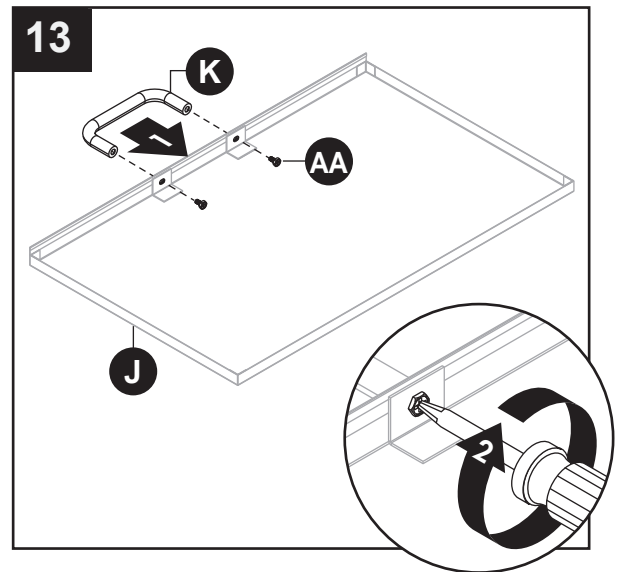
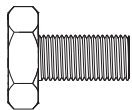


INSTRUCCIONES DE ENSAMBLAJE

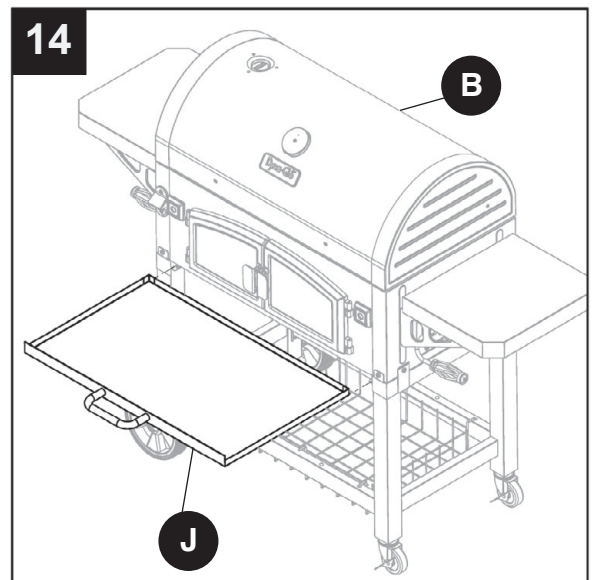
13. Acople la manija de la bandeja de ceniza (K) a la bandeja de ceniza (J) utilizando dos tornillos M6x12 (AA).

Aditamentos utilizados

AA Perno M6 x 12 x 2



14. Inserte la bandeja de ceniza (J) en el ensamble de la tapa y de la cámara de combustión (B).

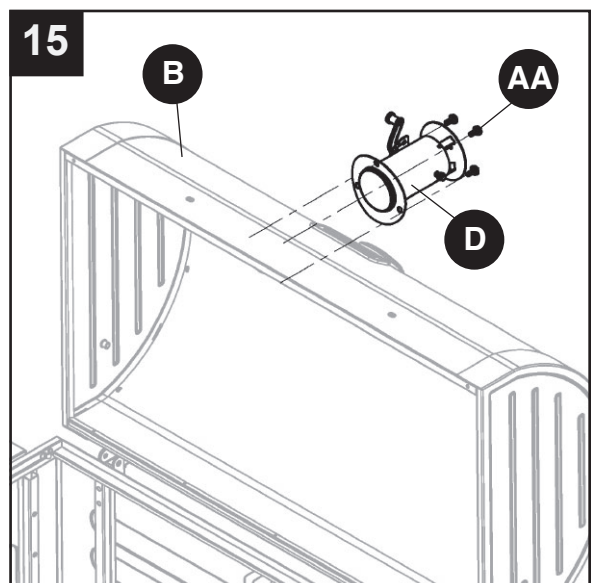
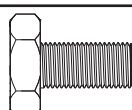


15. Acople el ensamble de la chimenea (D) al ensamble de la tapa y de la cámara de combustión (B) utilizando tres tornillos M6x12 (AA).

NOTA: Asegúrese de que la manija de graduación del amortiguador de la chimenea esté orientada hacia la parte delantera de la parrilla.

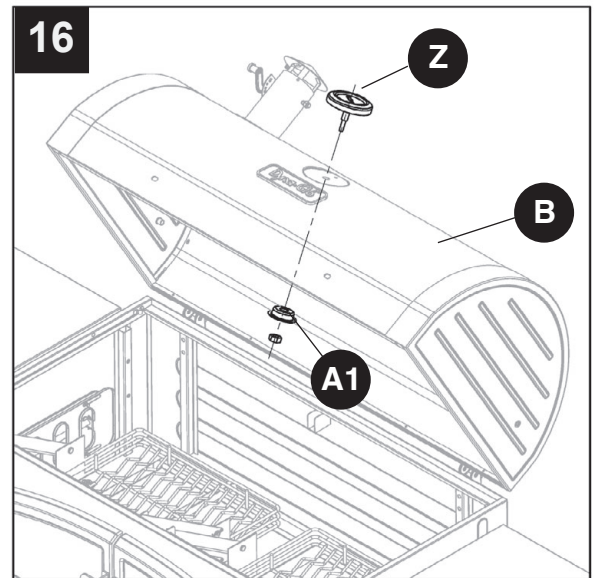
Aditamentos utilizados

AA Perno M6 x 12 x 3

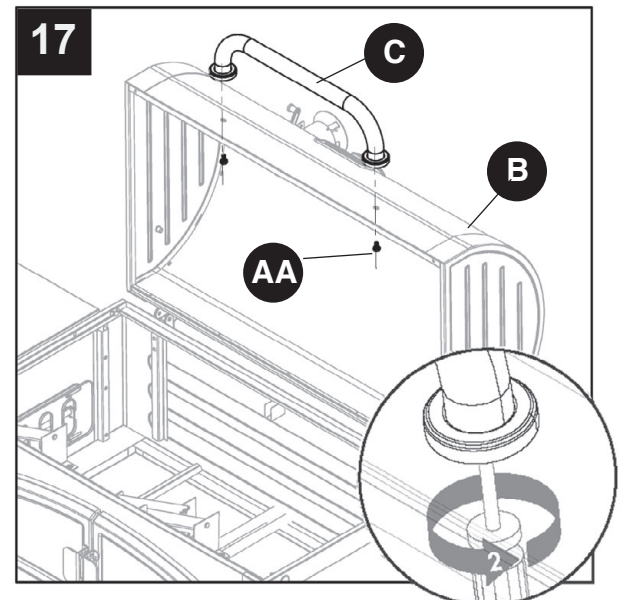


INSTRUCCIONES DE ENSAMBLAJE

16. Acople el medidor de temperatura (X) al ensamble de la tapa y de la cámara de combustión (B) utilizando tuercas pre-ensambladas.

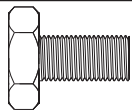


17. Acople el ensamble de la manija de la tapa (C) al ensamble de la tapa y de la cámara de combustión (B) utilizando dos tornillos M6x12 (AA).

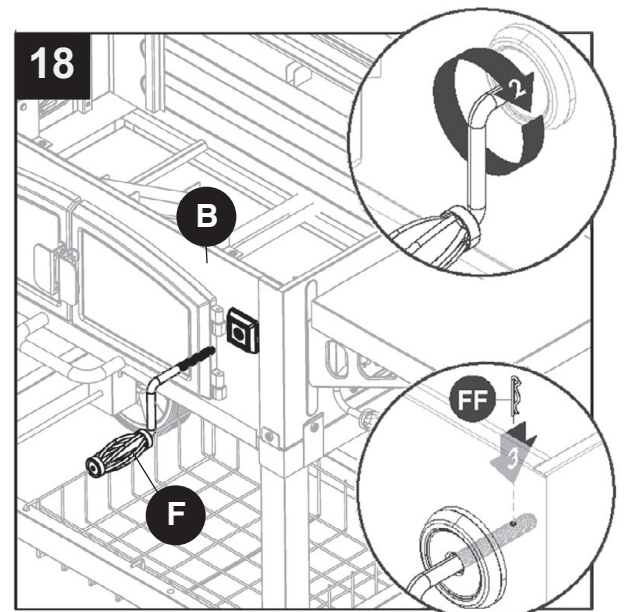


Aditamentos utilizados

AA Perno M6 x 12 x 2



18. Enrosque la manivela (F) en el ensamble de la tapa y de la cámara de combustión (B). Asegúrela con un pasador de chaveta (FF).



Aditamentos utilizados

FF Chaveta x 1



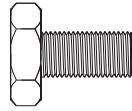
INSTRUCCIONES DE ENSAMBLAJE

19. Colocar dos bandejas de carbon (X) a la parte interior de la tapa del fogon (B) usando cuatro M6x12 valvulas (AA) para cada una.

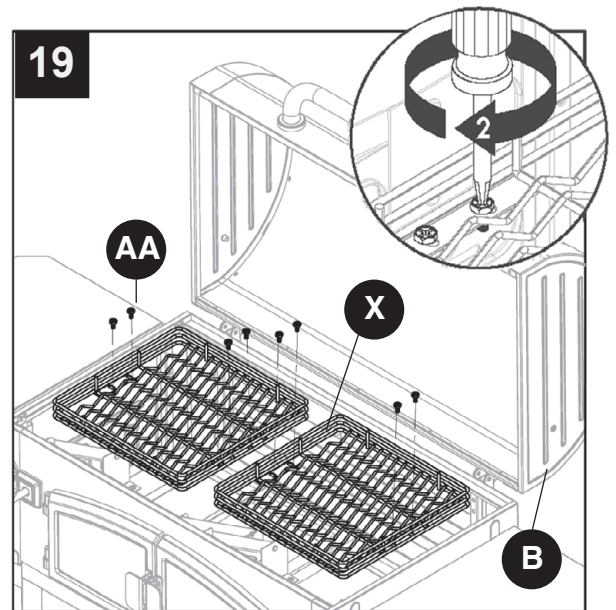
Aditamentos utilizados

AA

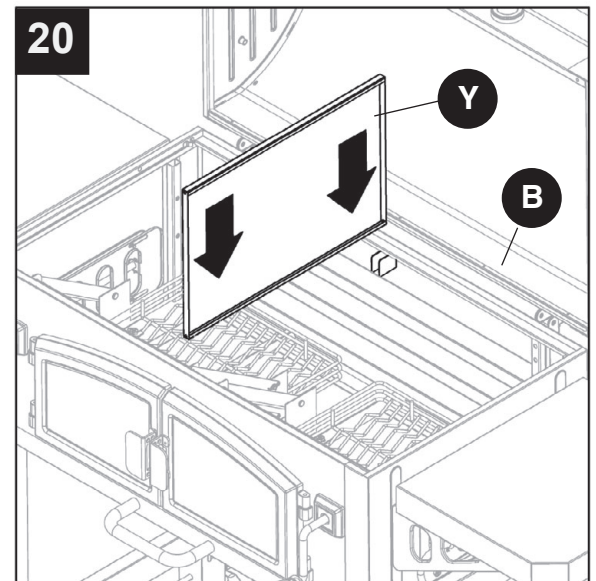
Perno
M6 x 12



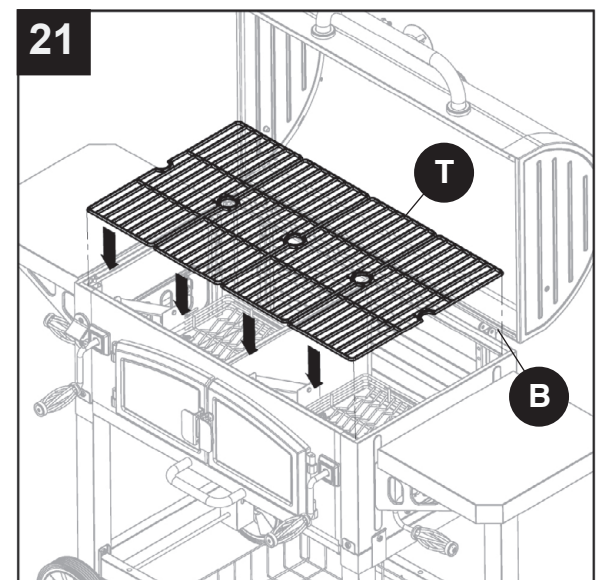
x 8



20. Insertar el panel divisorio (Y) al interior de la tapa y asamblea del fogon (B).



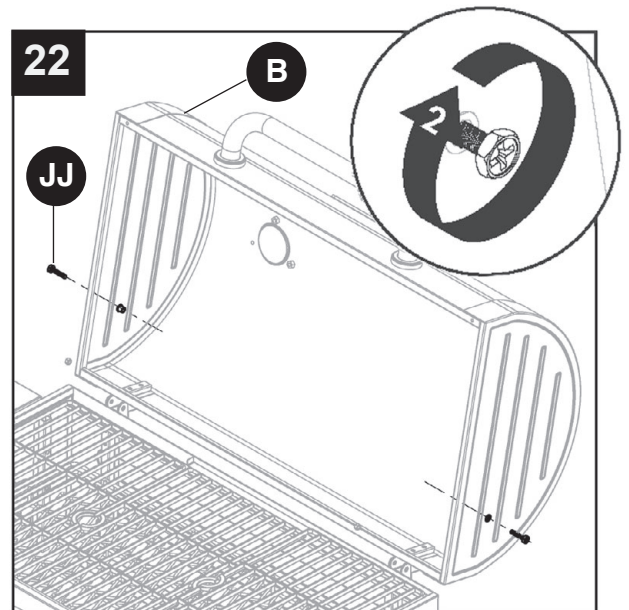
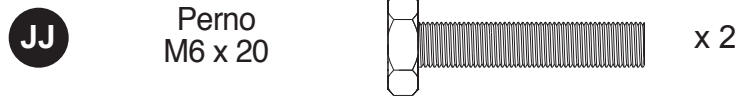
21. Poner cuatro rejillas (T) sobre la tapa del fogon (B).



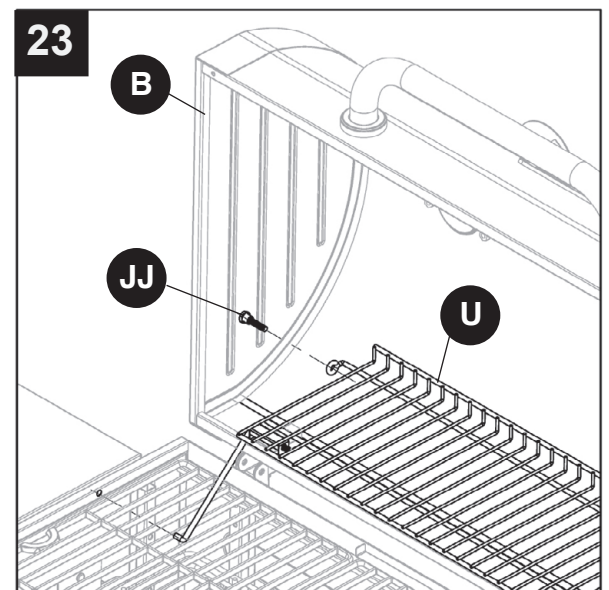
INSTRUCCIONES DE ENSAMBLAJE

22. Acople un tornillo M6x30 (JJ) en cada lado del ensamble de la tapa y de la cámara de combustión (B). NO lo apriete completamente.

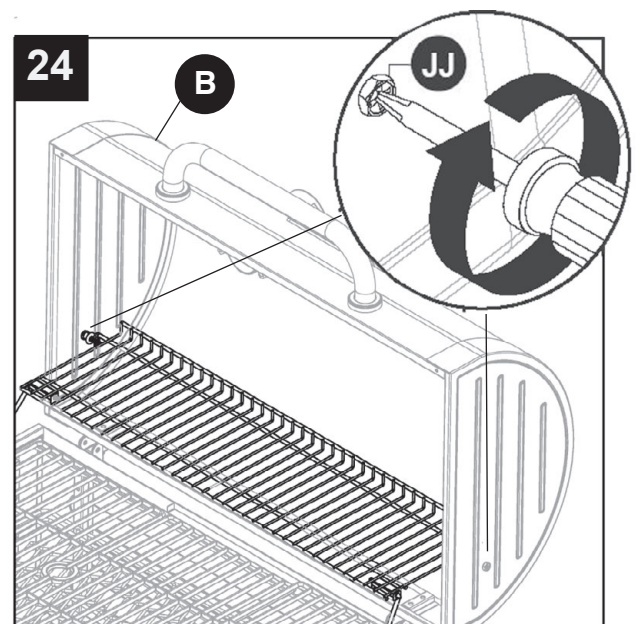
Aditamentos utilizados



23. Inserte uno de los extremos de la parrilla de calentamiento (U) dentro del tornillo M6x30 (JJ) y del hueco del ensamble de la tapa y de la cámara de combustión (B). Repita el proceso con el otro lado.



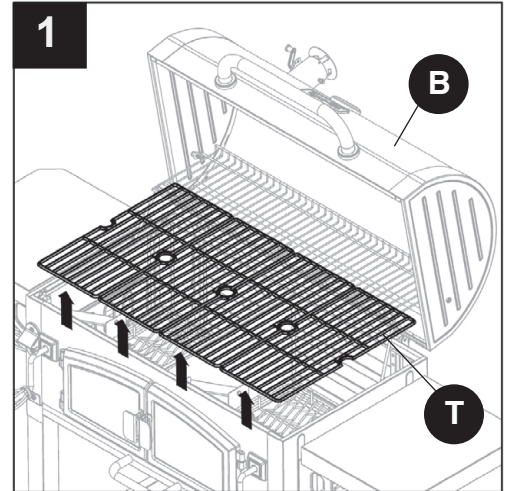
24. Apriete completamente los tornillos M6x30 (JJ) en cada lado del ensamble de la tapa y de la cámara de combustión (B).



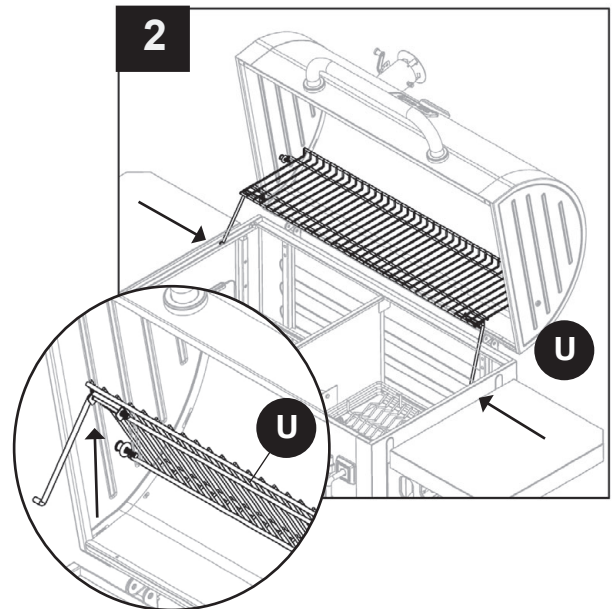
INSTRUCCIONES DE FUNCIONAMIENTO

Removiendo el panel divisorio de la parrilla

1. Remover las cuatro rejillas (T) de la tapa y el fogon.

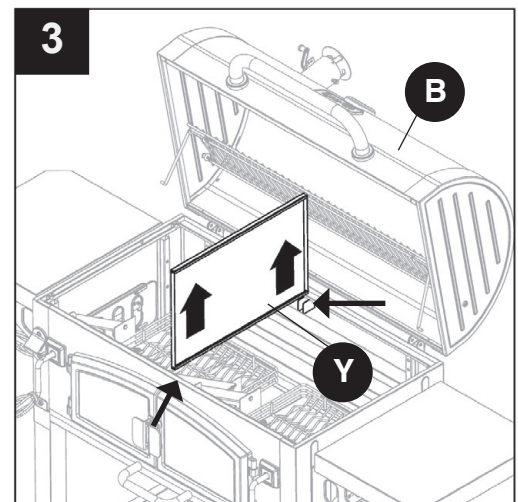


2. Remover los soporte de los estantes (U) del fogon apretando ambas barras hacia el centro de la parrilla. Dar vuelta el estante (U), para hacer lugar para el panel divisorio. (Y).



3. Quitar el panel divisorio (Y) del ensamblaje del fogon (B) Volver las rejillas y la bandeja a sus posiciones originales.

NOTA: Cuando coloque el panel divisorio adentro del fogon (B), por favor asegurese de que el fondo del panel divisorio encaje entre las barras de soporte localizadas adelante y atrás del fogon.



INSTRUCCIONES DE FUNCIONAMIENTO

PELIGRO

• **PELIGRO CON EL MONÓXIDO DE CARBONO.** La combustión de carbón en recintos cerrados puede causarle la muerte. Dicha combustión produce monóxido de carbono, el cual no tiene olor. NUNCA quemé carbón dentro de viviendas, vehículos o tiendas de campaña.

Esta parrilla cuenta con una bandeja de carbón ajustable. Al girar la manivela, la bandeja de carbón puede ser levantada o bajada a la altura deseada. Esto permite graduaciones de calor diferentes en función de los alimentos que se están cocinando y de la temperatura a la que desea cocinar. También permite una fácil limpieza del interior de la cámara de combustión después de que la unidad se ha enfriado completamente. No se recomienda elevar una bandeja de carbón que tiene plena carga, más arriba de la graduación media.

NOTA: La parrilla está revestida con porcelana la cual es un recubrimiento frágil. Manéjela con cuidado para evitar daños. NO enfríe la parrilla en agua fría mientras aún esté caliente, de lo contrario el revestimiento se puede agrietar. Deje que la parrilla se enfríe por sí misma.

Instrucciones de Encendido del Carbón

- Abra la tapa de la parrilla
- Retire las parrillas de cocción.
- Gradúe la bandeja del carbón a la posición del medio.
- Coloque una fila uniforme de briquetas de carbón en la bandeja del carbón. Asegúrese de que el carbón no sobrepase la parte superior de la bandeja.
- Encienda las briquetas.
- Baje la bandeja del carbón a la posición inferior.
- Con la tapa abierta, deje que las briquetas se enciendan completamente (hasta el punto en que ya no haya más llama).
- Una vez que las briquetas estén encendidas, coloque de nuevo las parrillas con la ayuda de guantes resistentes al calor.
- Gradúe la bandeja del carbón como convenga, con el fin de alcanzar la temperatura adecuada.

Graduación de la Temperatura

- Para un máximo calor / temperatura, abra tanto como sea necesario las dos salidas de aire laterales situadas en el costado del cuerpo principal. Para reducir el calor / temperatura, cierre las salidas de aire en el costado del cuerpo principal.

NOTA: La temperatura no debe sobrepasar los 500°F (260°C). Si la temperatura sobrepasa los 500°F (260°C), debe abrir la tapa y permitir que las briquetas se enfríen. La temperatura apropiada para cocinar no debe exceder los 500°F (260°C).

Curando la Unidad

1. Antes de cocinar por primera vez usted debe curar la unidad con el fin de mejorar la cocción y de propender por una mayor durabilidad en general. Si no se siguen correctamente estos pasos usted puede dañar el acabado y / o impartir sabores metálicos a los alimentos.
2. Retire todas las etiquetas de venta que se encuentren en la unidad, asegurándose de NO eliminar las que corresponden a las precauciones de seguridad.
3. Coloque una fila uniforme de briquetas de carbón en la bandeja del carbón. Asegúrese de que el carbón no sobrepase la parte superior de la bandeja.

INSTRUCCIONES DE FUNCIONAMIENTO

4. Cubra las superficies internas con aceite vegetal de cocina.
5. Encienda las briquetas y gradúe la bandeja del carbón a media altura, girando la manivela correspondiente.
6. Mantenga la combustión durante unas dos horas, con la tapa cerrada y todos los amortiguadores abiertos a 1/4. Deje que la unidad se enfríe completamente.
7. Una vez que esto se ha llevado a cabo, la unidad está lista para ser utilizada.

Puede aparecer óxido en el interior de su parrilla. Mantener una ligera capa de aceite vegetal en las superficies interiores ayudará a la protección de su parrilla. Las superficies exteriores de la parrilla pueden necesitar retoques de cuando en cuando. Se recomienda el uso de pintura negra, de tipo comercial, en espray, para altas temperaturas.

¡NUNCA PINTE EL INTERIOR DE LA UNIDAD!

Cómo Manipular la Puerta Delantera, los Amortiguadores y la Chimenea.



ADVERTENCIA: Estas piezas de metal pueden encontrarse muy calientes mientras se está cocinando. Manipule siempre estas partes llevando puestos guantes resistentes al calor.

- Para abrir la puerta, levántela un poco y hálela.
- Para cerrarla, levántela un poco y empújela hasta que ajuste con el marco de la puerta.
- Para graduar los amortiguadores laterales, hale o empuje la manija del amortiguador hasta que se logre el flujo de aire deseado.
- Para graduar la chimenea, aleje de la chimenea la manija de graduación y súbala o bájela hasta lograr el flujo de aire deseado.

Asando en la Parrilla

El carbón vegetal es el recomendado; sin embargo como combustible se puede utilizar madera o una combinación de ambos, siempre y cuando la fuente de combustible se coloque y sea encendida en la bandeja del carbón. No produzca un fuego exagerado. Se recomienda iniciar un fuego con no más de 4 libras de carbón (aproximadamente 60 briquetas) y añadiendo más según sea necesario durante la cocción. Después de dejar que el fuego se apague, coloque las parrillas de cocción en la unidad mediante el uso de guantes resistentes al calor. El no leer y seguir las instrucciones para el encendido del carbón puede resultar en lesiones personales graves y daños materiales.



ADVERTENCIA

- La mayoría de las superficies de esta unidad permanecen calientes durante su uso. Tenga mucho cuidado. Mantenga a los demás alejados de la unidad.
- Siempre use ropa protectora con el fin de prevenir lesiones.
- Mantenga alejados a los niños y a las mascotas.
- NO mueva la unidad durante su operación.
- Nunca sustituya los encendedores de carbón por gasolina, queroseno o alcohol. En algunos estados, el uso de encendedores de carbón está prohibido por la ley. En estos casos, los encendedores de carbón pueden ser reemplazados por cubos encendedores a base de parafina. Nunca utilice un líquido encendedor de carbón junto con un encendedor eléctrico.

CUIDADO Y MANTENIMIENTO

Mantenimiento de la Parrilla

La frecuencia de limpieza de la parrilla está determinada por la frecuencia con que se usa. Asegúrese de que el carbón esté completamente apagado y de que las parrillas se han enfriado antes de limpiar el interior de la unidad. Para quitar las manchas en la tapa y en el panel frontal, causadas por el humo de la cocción, se recomienda la utilización de un paño limpiador. Limpie el interior de la unidad con un paño o toalla de papel. Limpie las rejillas con agua tibia y séquelas. El recubrimiento es frágil. No golpee ni deje caer las parrillas.

GARANTÍA LIMITADA

1-año de garantía limitada

Esta parrilla de carbón tiene una garantía de 1 año contra piezas rotas o dañadas en el momento de la compra. El producto está garantizado de estar libre de defectos. La pintura es garantía de estar libre de defectos, excepto el óxido, que puede aparecer después de un uso repetido.

Esta garantía no cubre los daños o problemas relacionados con negligencia, abuso o modificaciones en el aparato. Trabajo de reparación no está cubierta.

Todas las partes que cumplan con los requisitos de la garantía serán enviados sin cargo a través de la discreción de GHP Group, Inc (envíos terrestres, Correo de EE.UU., o por paquete postal solamente). Los gastos de manipulación especiales (día segundo lugar, durante la noche, etc) será la responsabilidad del consumidor.

Todas las reclamaciones de garantía se aplican solamente al comprador original y requieren un comprobante de compra para verificar la compra. Este servicio está disponible llamando al número gratuito 1-877-447-4768, de 8:30 am - 4:30 pm CST, de lunes - viernes.

NOTA: Algunos estados no permiten la exclusión o limitación de daños incidentales o consecuentes, o limitaciones sobre cuánto dura una garantía implícita, de modo que las limitaciones o exclusiones anteriores pueden no aplicarse en su caso. Esta garantía le otorga derechos legales específicos y usted también puede tener otros derechos legales que pueden variar de estado a estado.

Fabricado por:
GHP Group Inc.
8280 Austin Avenue
Morton Grove, IL, EE.UU.
60053-3207

Nombre del Producto: HORNO PARRILLA DE CAMARA DOBLE
Modelo #: DGN576SNC-D

LISTA DE PIEZAS DE REPUESTO

Para obtener piezas de repuesto, llame a nuestro Departamento de Servicio al Cliente al 1-877-447-4768, de 8:30 am - 4:30 pm, hora central, de lunes - viernes.

REF.	DESCRIPCIÓN	PIEZA #
n/a	Equipo metalico Mochila de herramientas	404-03025-00
n/a	Manual de Instrucciones del dueño	70-10-022
1	Chimenea de acero inoxidable	404-01002-05
2	Cubierta exterior	404-03003-03
3	Log of DynaGlow	213-02002
4	Indicador de la temperatura – con tuerca	213-02005
5	Tapa de parachoques	403-01002-07
6	Tornillo de la tapa con chaveta	404-03002-03
7	Manija de la tapa con equipo metalico	403-01002-02
8	Parrilla del fuego con soportes	403-03007-00
9	Parrilla – 1 pieza	403-03006-00
10	Bandeja del carbon (izquierda o derecha)	404-03003-02
11	Bandeja del carbon	403-03003-04
12	Fondo del ensamblaje del horno SOLO, SIN – apagador del fuego lateral, bandeja del carbon, brazo del ensamblaje de la bandeja del carbon, brazo de la manivela	414-03003-01
13	Montaje enroscado para la manivela de ajuste de la bandeja del carbon	404-02003-10
14	Manivela de ajuste de la bandeja del carbon con bisel con tornillos (izquierda or derecha)	403-03003-05
15	Manivela de ajuste de la bandeja del carbon (izquierda o derecha)	403-02003-02
16	Manivela de ajuste la bandeja del carbon o manivela de ajuste del apagador del fuego	403-02003-05
17	Estante lateral	414-03004-01
18	Placa de ajuste lateral – izquierda o derecha	403-02003-08
19	Soporte de estante izquierdo frontal o derecho trasero	403-01004-01
20	Soporte de estante izquierdo trasero o derecho frontal	403-01004-02
21	Destapador de botella	403-01003-05
22	Frente inoxidable del horno	414-03003-02
23	Marco de la puerta de acceso del carbon solo - izquierda	404-03014-02
24	Inserte de la puerta de acceso del carbon - izquierda	404-03015-01
25	Pasador de la bisagra de la puerta de acceso del carbon lateral con chaveta.	401-01013-03
26	Barra de ajuste del apagador – izquierdo (sin sujecion de alambre)	404-02003-06
27	Barra de ajuste del apagador – derecho (sin sujecion de alambre)	404-02003-07
28	Bandeja de cenizas sin manivela	403-03005-01
29	Bandeja de cenizas con herramientas	403-01005-02
30	Asamblaje de la pierna izquierda	403-03001-01
31	Asamblaje de la pierna derecha	403-03001-02
32	Bisagra de la tapa superior	404-03002-04
33	Bisagra de la tapa inferior	404-03002-02
34	Varilla de eje de las ruedas	403-01018-00
35	Rueda	403-01019-00
36	Manga para el eje de la rueda	403-01021-00
37	Rueda con eje de eslabon giratorio para rodar por todos lados (incluye llave inglesa)	403-01014-02
38	Parte inferior de apoyo delantera o trasera (igual)	403-03016-00
39	Canasta de almacenaje	403-01015-00
40	Tapa interior	404-01002-06
41	Tapa de cierre - izquierda	404-01002-07

LISTA DE PIEZAS DE REPUESTO

REF.	DESCRIPCIÓN	PIEZA #
42	Tapa de cierre - derecha	404-01002-08
43	Pestillo de la puerta de acceso	403-03017-00
44	Bisagra de la puerta de acceso del carbon para el horno – con herramientas	404-03016-00
45	Panel divisorio	404-03006-01
46	Bisel de tuerca del indicador de temperatura	213-02006
47	Marco de la puerta de acceso del carbon solo - derecha	404-03014-01
48	Inserte de la puerta de acceso del carbon - derecha	404-03015-02
49	Manivela de la puerta de acceso del carbon (izquierda o derecha)	404-03017-01

