

Home Decorators

— Collection —

BF-22267 Hampton Bay Collection 28"W Sink Cabinet

ASSEMBLY INSTRUCTIONS

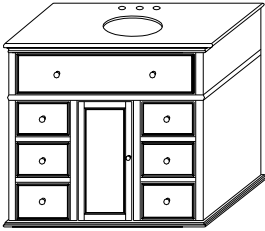

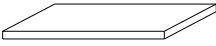

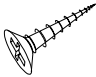
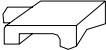
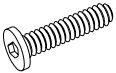
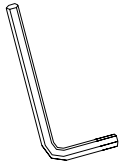
Made In China

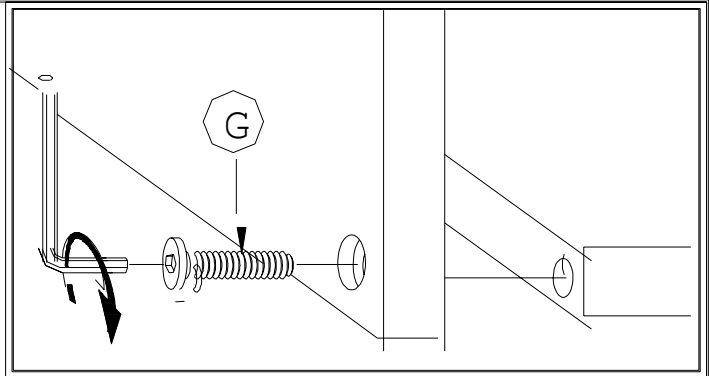


Thank you purchasing this quality product. Be sure to check all packing material carefully for small parts, which may have come loose inside the carton during shipment. Count all parts and material hardware, Compare with parts list to be sure all part are present. If any parts are missing or damaged, phone, fax, or mail to our Customer Service Department. For efficient and speedy service please indicate the model number and code letter of part(s) need

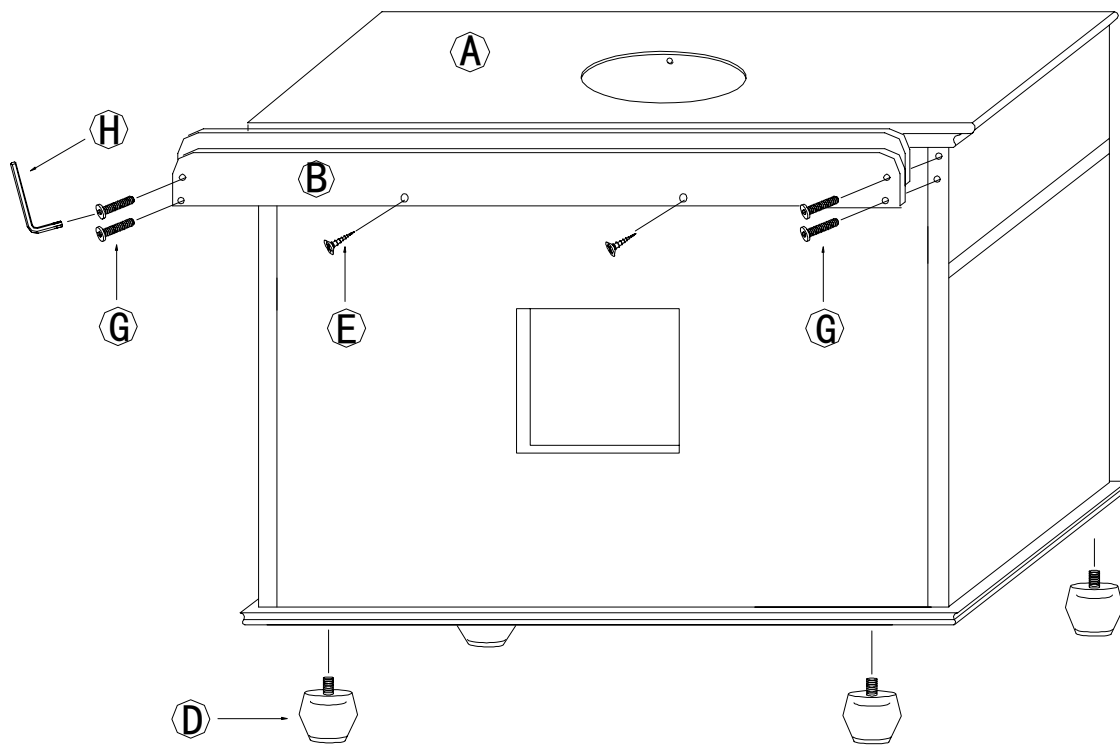
IMPORTANT NOTE: Follow instructions listed below in proper sequence as numbered to assure fast, easy and correct assembly.

NOTE: ● UPON OPENING THOROUGHLY CLEAN ALL WOODS SURFACES WITH FURNITURE POLISH TO REMOVE DUST AND DIRT THAT MAY HAVE SETTLED ONTO FINISH DURING SHIPMENT. IN ORDER TO PREVENT DAMAGE DURING ASSEMBLY, PLEASE ASSEMBLE THIS ITEM WITH AT LEAST THREE PEOPLE.

PARTS LIST		
<p>A</p>  <p>PANEL-1PC</p>	<p>B</p>  <p>ADORN PANEL-1PC</p>	<p>C</p>  <p>SHELF-1PC</p>
<p>D</p>  <p>FEETS-4PCS</p>	<p>E</p>  <p>SCREWS-2PCS</p>	<p>F</p>  <p>SHELF SUPPORT-4PCS</p>
<p>G</p>  <p>SCREWS-4PCS</p>	<p>H</p>  <p>ALLEN WRENCH-1PC</p>	



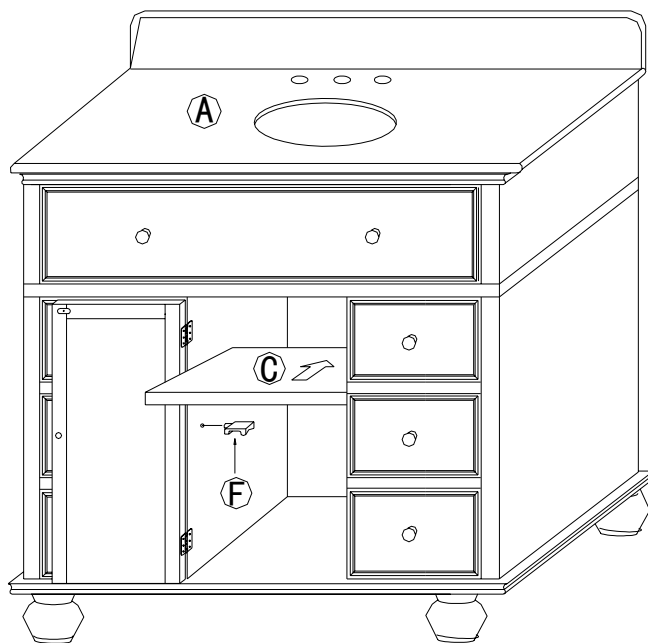
HOW TO USE THE ALLEN WRENCH



NOTE: THE FEET CAN BE ADJUSTED IF NOT LEVEL

1) . ASSEMBLE ADORN PANEL (B) .

- FIRST, PLACE SINK ON ITS BACK ON A CLEAN SMOOTH SURFACE. ROTATE THE 4 FEET INTO HOLES ON BOTTOM.
- ATTACH THE ADORN PANEL (B) TO PANEL (A) USING 2 SCREWS (E) AND 4 SCREWS (G) .



2) . ASSEMBLE THE SHELF (C) .

- INSERT THE 4 SHELF SUPPORTS (F) INTO HOLES IN STAND PANEL .
- PUT THE SHELF (C) ONTO THE SHELF SUPPORT (F) .