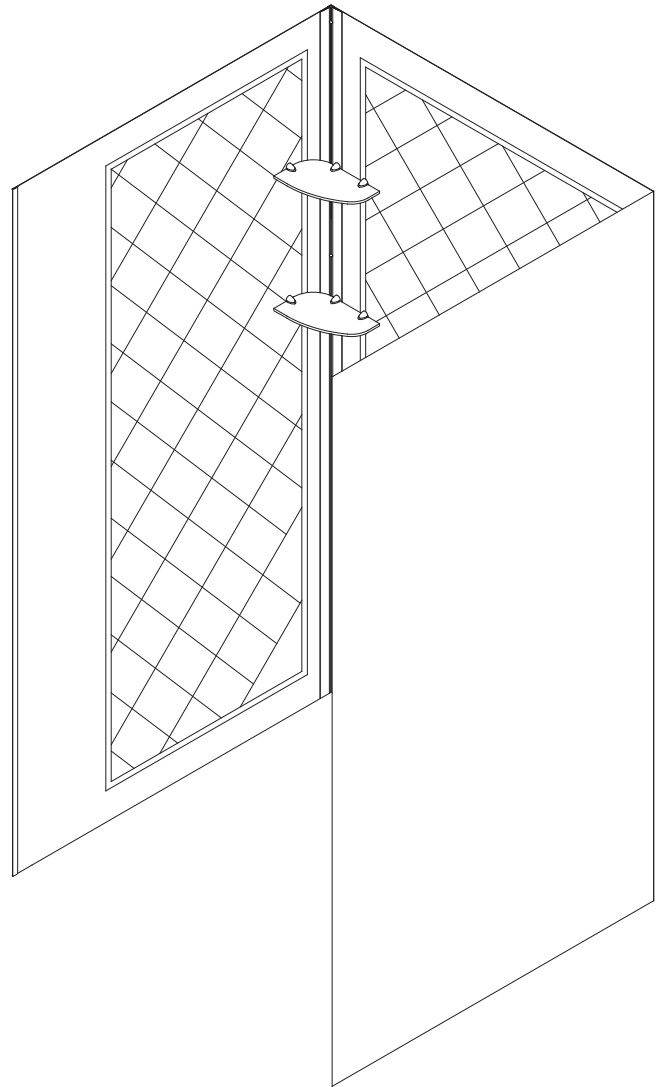
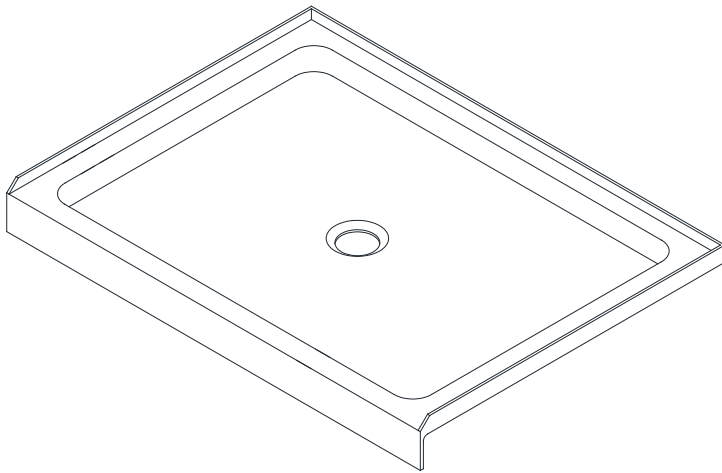


# SlimLine Single Threshold Base & Q-Wall-5.1

## BASE & BACKWALL INSTALLATION INSTRUCTIONS

### IMPORTANT

DreamLine<sup>®</sup> reserves the right to alter, modify or redesign products at any time without prior notice. For the latest up-to-date technical drawings, manuals, warranty information or additional details please refer to your model's web page on **DreamLine.com**



**STEP 1: Shower Base Installation Instructions**

**STEP 2: Shower Backwall Installation Instructions**

### Questions?

Please Call **DreamLine** Customer Support: **1-855-831-2126**  
Hours of Operation M-F 8AM - 7PM EST and Saturday 9AM - 5PM EST

**Support@DreamLine.com**

For more information about DreamLine<sup>®</sup> Shower Doors, Tub Doors & Enclosures, please visit **DreamLine.com**

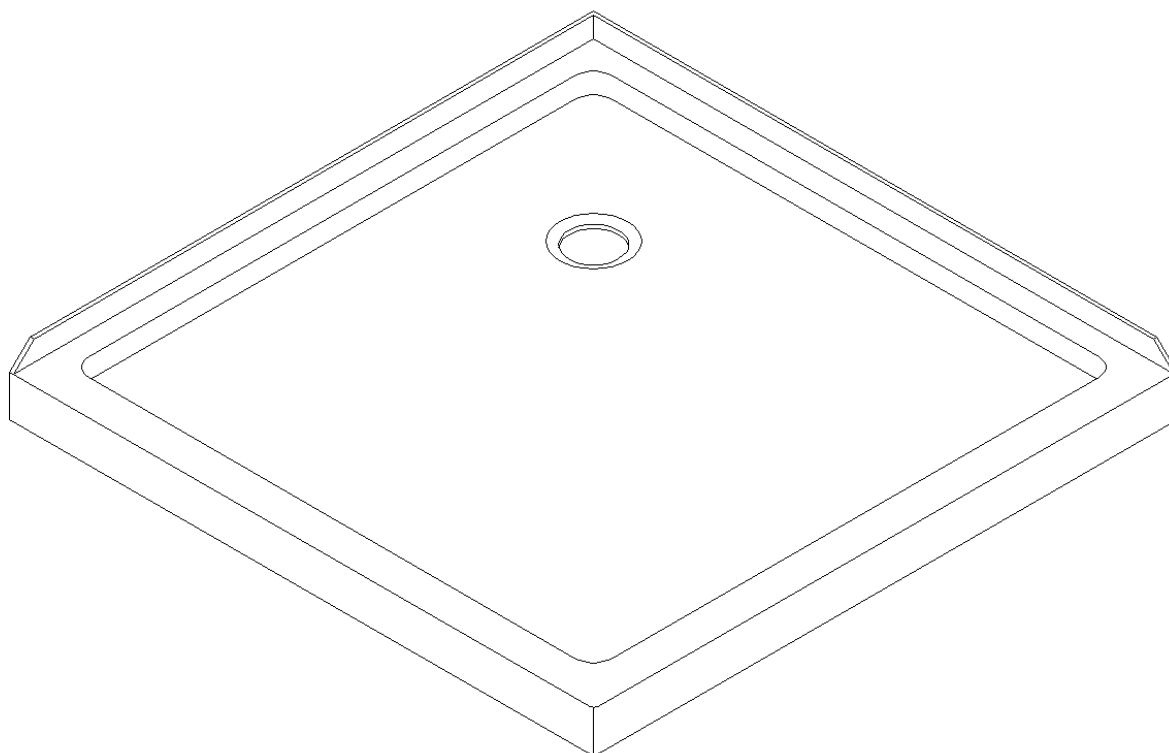


# SLIMLINE SHOWER BASE

## SHOWER BASE DIMENSIONS AND INSTALLATION INSTRUCTIONS

### IMPORTANT!

DreamLine® reserves the right to alter, modify or redesign products at any time without prior notice. For the latest up-to-date technical drawings, manuals, warranty information or additional details please refer to your model's web page on [DreamLine.com](http://DreamLine.com)



Double Threshold Shower Base with Corner Drain Configuration  
shown as an example

### Color options:

- - White
- 22- Biscuit
- 88- Black

**Please review this entire manual before beginning installation**



### Questions?

Please Call **DreamLine Customer Support: 1-855-831-2126**  
Hours of Operation M-F 8AM - 7PM EST and Saturday 9AM - 5PM EST

[Support@DreamLine.com](mailto:Support@DreamLine.com)



For more information about DreamLine® products please visit [DreamLine.com](http://DreamLine.com)

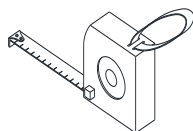
## Preparation

1. Prior to installation, examine all boxes and packages for shipping damage and compare the piece count with your packing slip. After opening all boxes and packages read this introduction carefully. Check that all of the needed parts are included in the package by checking off the components on the "Detailed Diagram of Shower Door Components". If the unit has been damaged, has a finishing defect, or has missing parts, please contact our customer support department within **3 business days** of the delivery date. Please note that **DreamLine® will not replace any damaged products or missing parts free of charge after 3 business days or if the product has been installed.** Please contact DreamLine® if you have any questions and please provide an order number, job name or other proof of purchase to help identify the original order.
2. Install all of the required plumbing and drainage before installing the shower base. **Use a competent and licensed (if required by local code) plumber for all plumbing installation.**
3. **Shower bases must be installed by a licensed plumber. Please note that you should consult your local building codes with questions on installation compliance standards. Building and plumbing codes may vary by location and DreamLine® is not responsible for code compliance standards for your project.**
4. Make sure that prior to the installation the installation surface is leveled and solid and will be able to support the total weight of the unit. Also make sure the walls are at right angles. While some adjustment in leveling of the tray is possible, irregular installation surface level or improper angle of side walls will result in serious problems for your installation. Please note that some adjustments may be necessary during the installation process.
5. **Center drain configurations are centered on the width only. See technical drawing tables for drain locations.**
6. **Drain not included with this product.** The drain *opening* is 3-3/8" in diameter and **accepts a standard 2" compression fitted drain.**

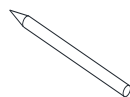
### **IMPORTANT NOTE:**

**Dimensions provided are for reference only. Measure the actual shower tray before installation. This includes overall dimensions and drain location. Allowed tolerance for center of the drain is +/-1/2".**

## Tools Required



Tape  
Measure



Pencil



Level

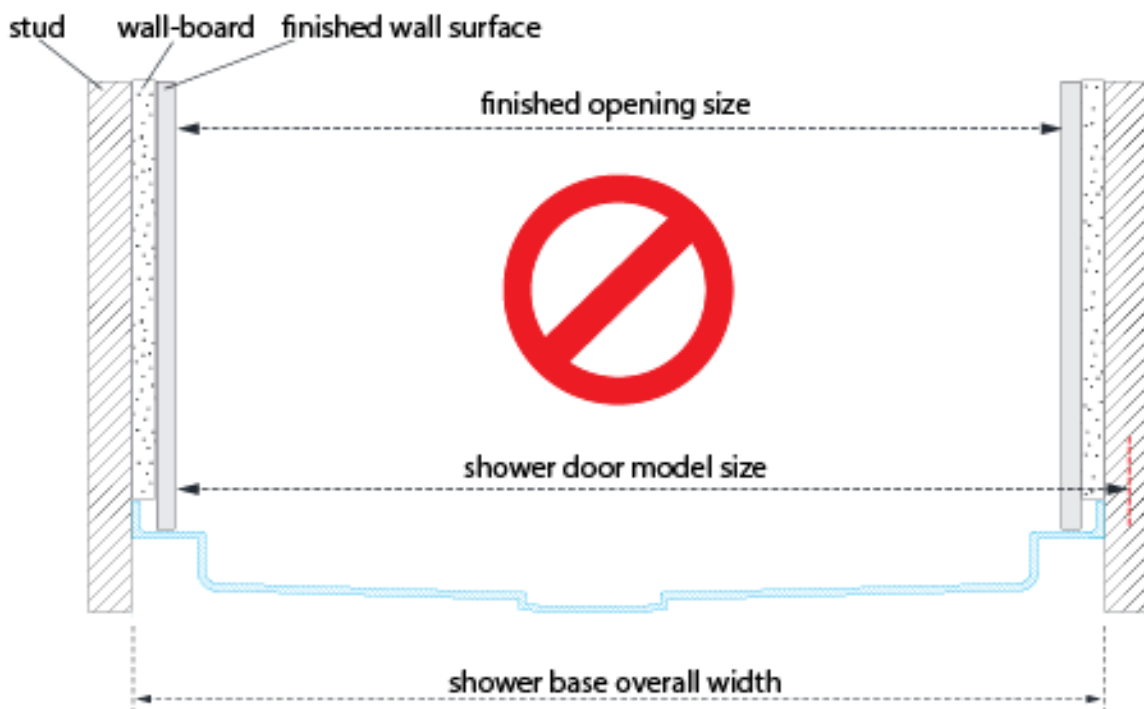
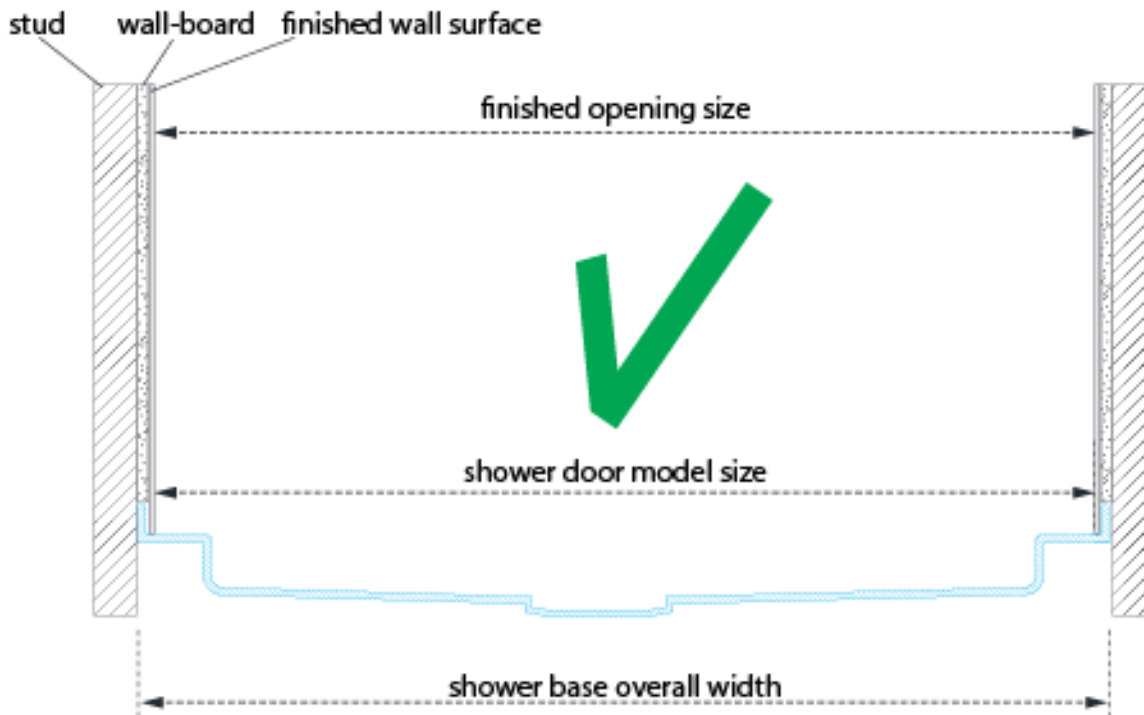


Mortar



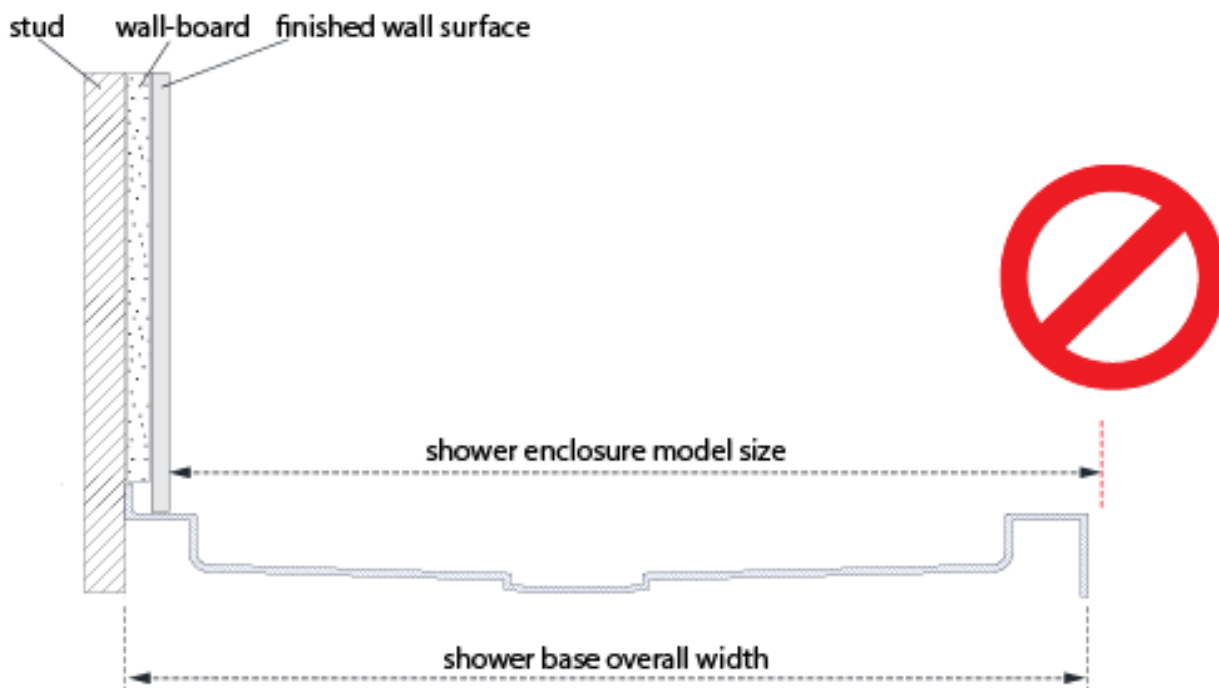
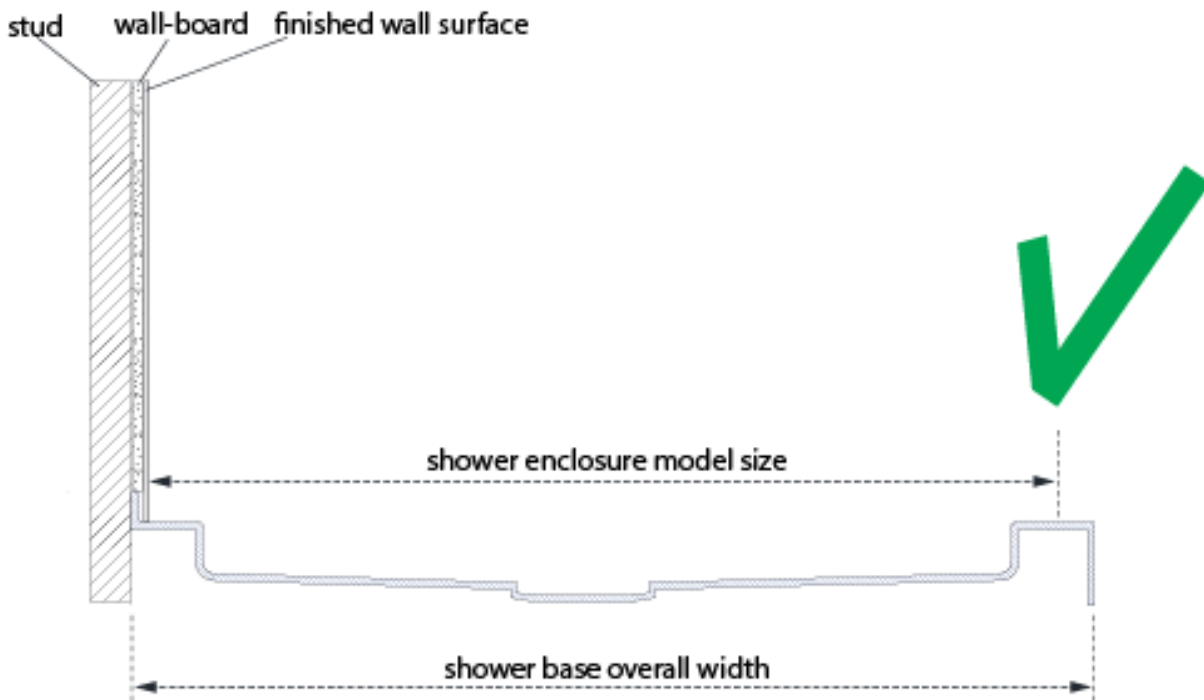
When constructing or installing a shower base, consider how **the thickness of the wall treatment (wallboard, tile, etc.) will affect the finished opening size for the shower door.**

Compare the overall dimensions of the shower door model with the finished opening size before proceeding with the installation.



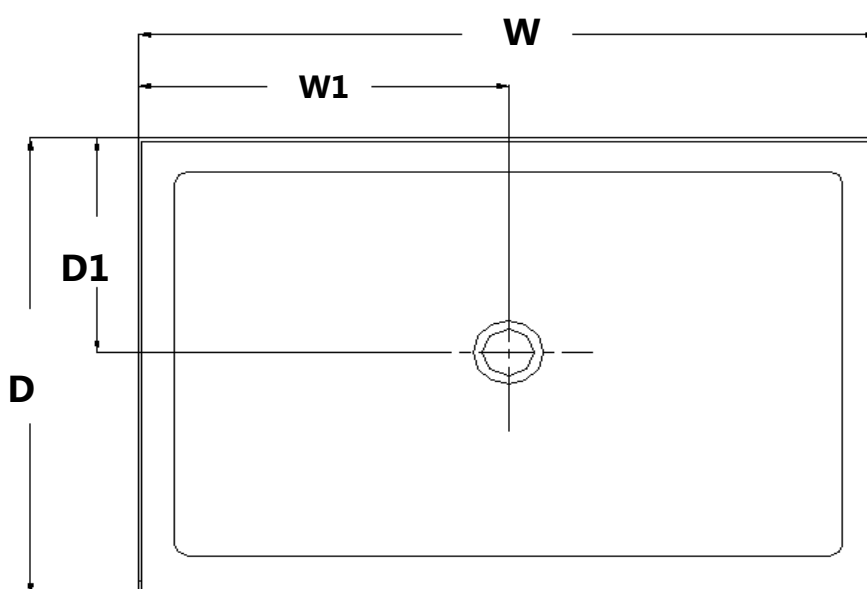
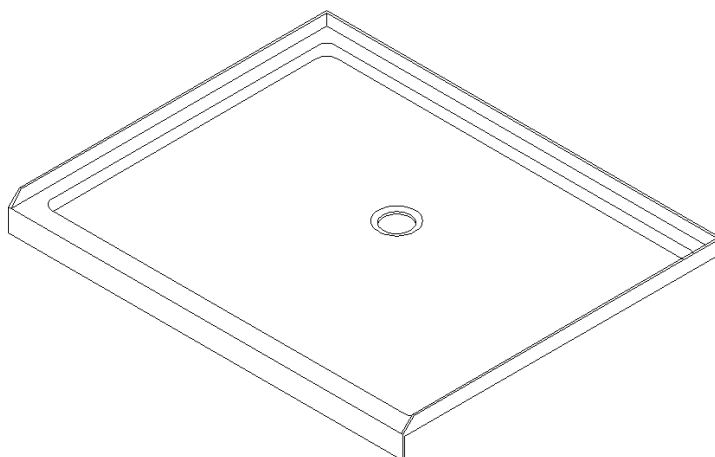


When constructing or installing a shower base, consider how **the thickness of the wall treatment (wallboard, tile, etc.) will affect where the shower enclosure will sit on the threshold.** Compare the overall outside dimensions of the shower enclosure model size with the finished threshold before proceeding with the installation.



## SINGLE THRESHOLD SHOWER BASE

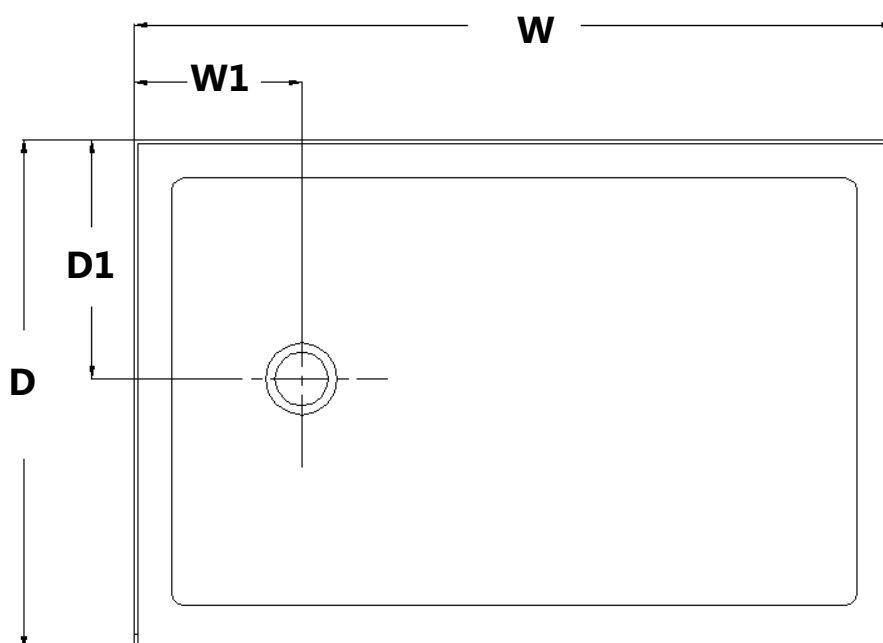
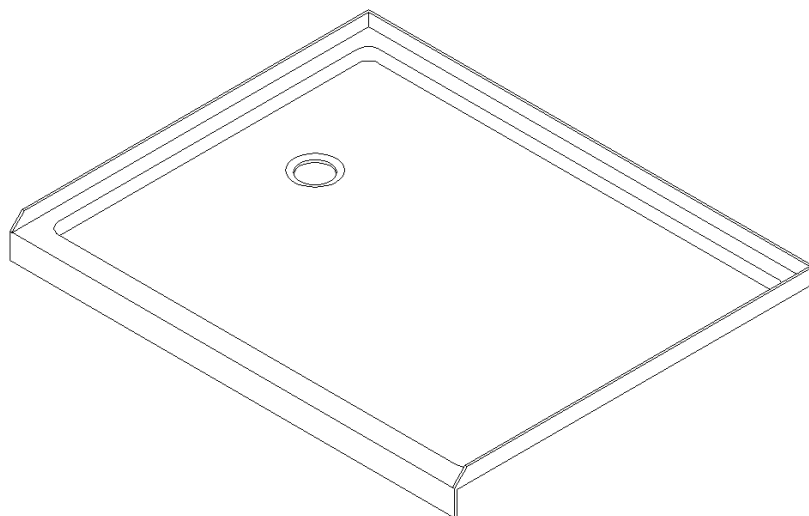
### Center Drain Configuration



| MODEL       | SPECIFICATION | D (in) | W (in) | D1 (in) | W1 (in) |
|-------------|---------------|--------|--------|---------|---------|
| DLT-1132320 | 32" x 32"     | 32"    | 32"    | 15"     | 16"     |
| DLT-1136360 | 36" x 36"     | 36"    | 36"    | 15"     | 18"     |
| DLT-1132420 | 32" x 42"     | 32"    | 42"    | 15"     | 21"     |
| DLT-1134420 | 34" x 42"     | 34"    | 42"    | 15"     | 21"     |
| DLT-1136420 | 36" x 42"     | 36"    | 42"    | 15"     | 21"     |
| DLT-1142420 | 42" x 42"     | 42"    | 42"    | 20"     | 21"     |
| DLT-1132480 | 32" x 48"     | 32"    | 48"    | 15"     | 24"     |
| DLT-1134480 | 34" x 48"     | 34"    | 48"    | 15"     | 24"     |
| DLT-1136480 | 36" x 48"     | 36"    | 48"    | 15"     | 24"     |
| DLT-1132540 | 32" x 54"     | 32"    | 54"    | 15"     | 27"     |
| DLT-1134540 | 34" x 54"     | 34"    | 54"    | 15"     | 27"     |
| DLT-1136540 | 36" x 54"     | 36"    | 54"    | 15"     | 27"     |
| DLT-1130600 | 30" x 60"     | 30"    | 60"    | 15"     | 30"     |
| DLT-1132600 | 32" x 60"     | 32"    | 60"    | 15"     | 30"     |
| DLT-1134600 | 34" x 60"     | 34"    | 60"    | 15"     | 30"     |
| DLT-1136600 | 36" x 60"     | 36"    | 60"    | 15"     | 30"     |

## SINGLE THRESHOLD SHOWER BASE

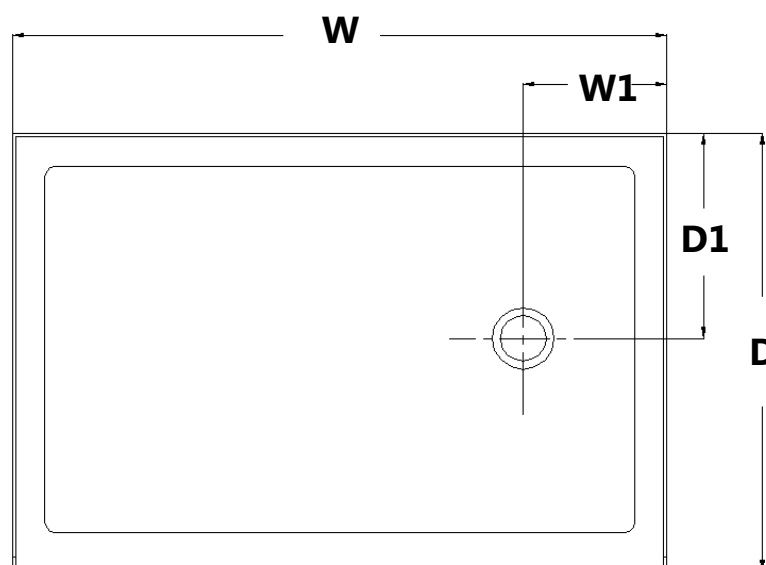
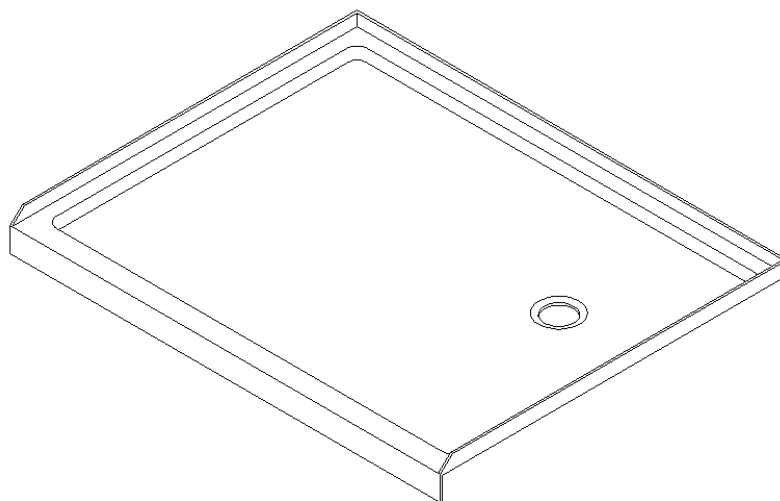
### Left-Hand Drain Configuration



| MODEL       | SPECIFICATION | D (in) | W (in) | D1 (in) | W1 (in) |
|-------------|---------------|--------|--------|---------|---------|
| DLT-1130601 | 30"×60"       | 30"    | 60"    | 15"     | 12"     |
| DLT-1132601 | 32"×60"       | 32"    | 60"    | 15"     | 12"     |
| DLT-1134601 | 34"×60"       | 34"    | 60"    | 17"     | 12"     |
| DLT-1136601 | 36"×60"       | 36"    | 60"    | 18"     | 12"     |

## SINGLE THRESHOLD SHOWER BASE

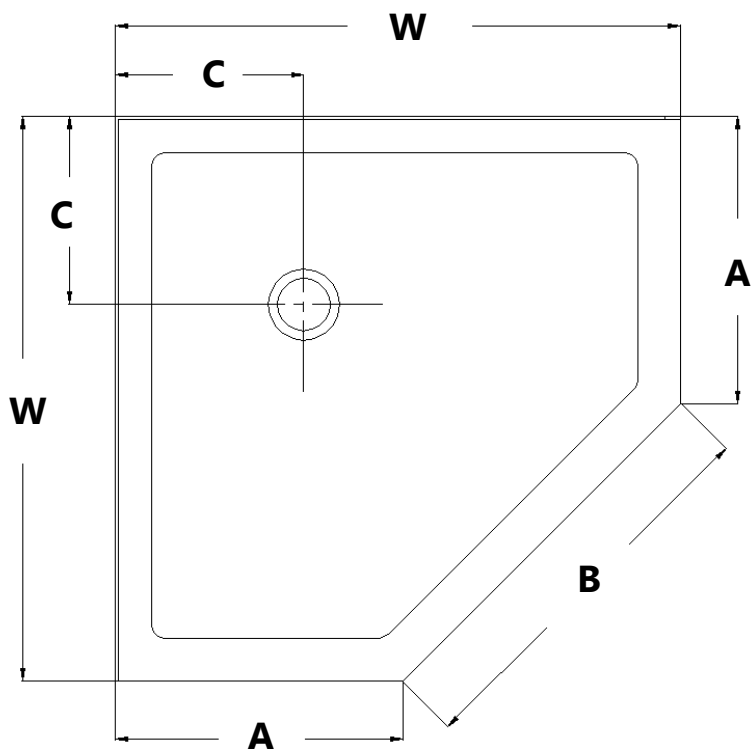
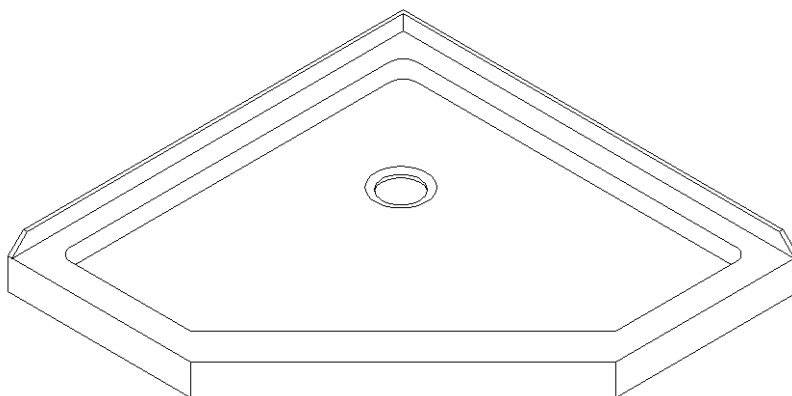
### Right-Hand Drain Configuration



| MODEL       | SPECIFICATION | D (in) | W (in) | D1 (in) | W1 (in) |
|-------------|---------------|--------|--------|---------|---------|
| DLT-1130602 | 30"×60"       | 30"    | 60"    | 15"     | 12"     |
| DLT-1132602 | 32"×60"       | 32"    | 60"    | 15"     | 12"     |
| DLT-1134602 | 34"×60"       | 34"    | 60"    | 17"     | 12"     |
| DLT-1136602 | 36"×60"       | 36"    | 60"    | 18"     | 12"     |

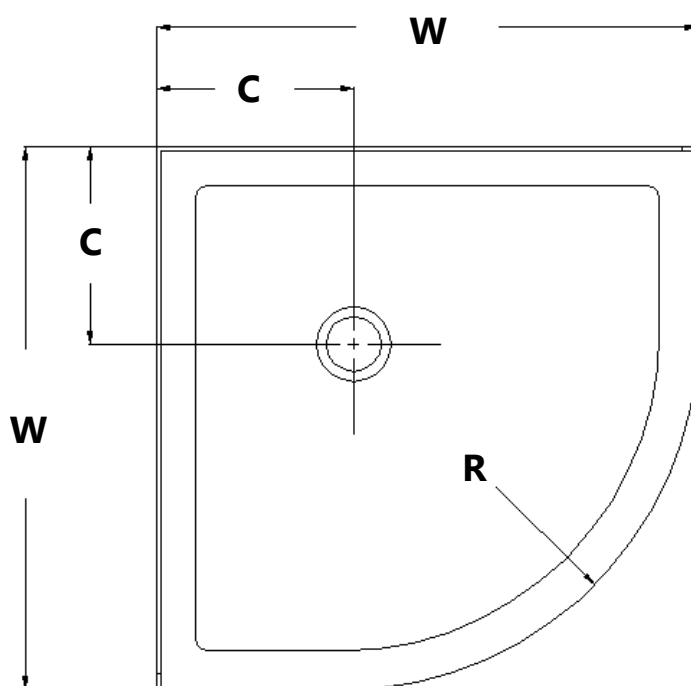
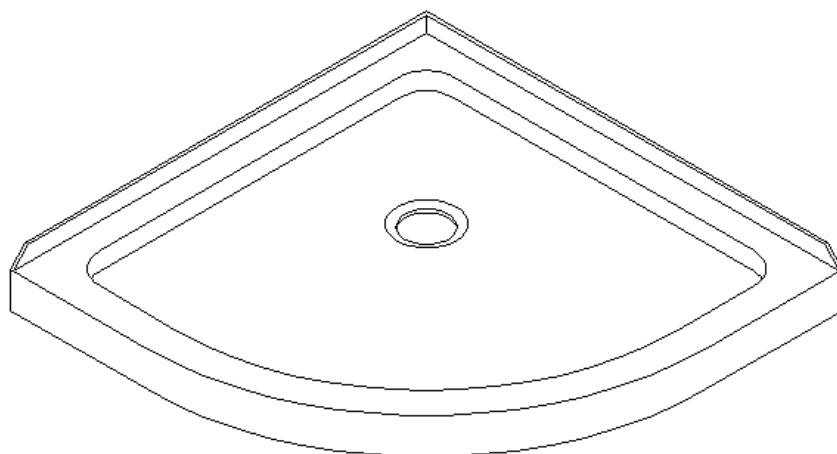


# NEO ANGLE SHOWER BASE



| MODEL       | SPECIFICATION | W (in) | A (in)   | B (in) | C (in)  |
|-------------|---------------|--------|----------|--------|---------|
| DLT-2036360 | 36"×36"       | 36"    | 18 5/16" | 25"    | 12"     |
| DLT-2038380 | 38"×38"       | 38"    | 20 5/16" | 25"    | 12"     |
| DLT-2040400 | 40"×40"       | 40"    | 22 5/16" | 25"    | 14 3/8" |
| DLT-2042420 | 42"×42"       | 42"    | 24 5/16" | 25"    | 14 3/8" |

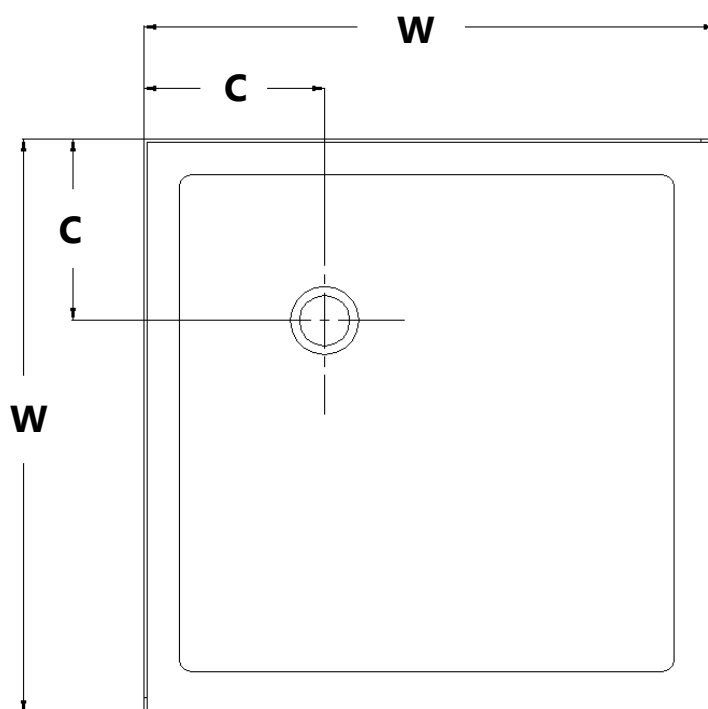
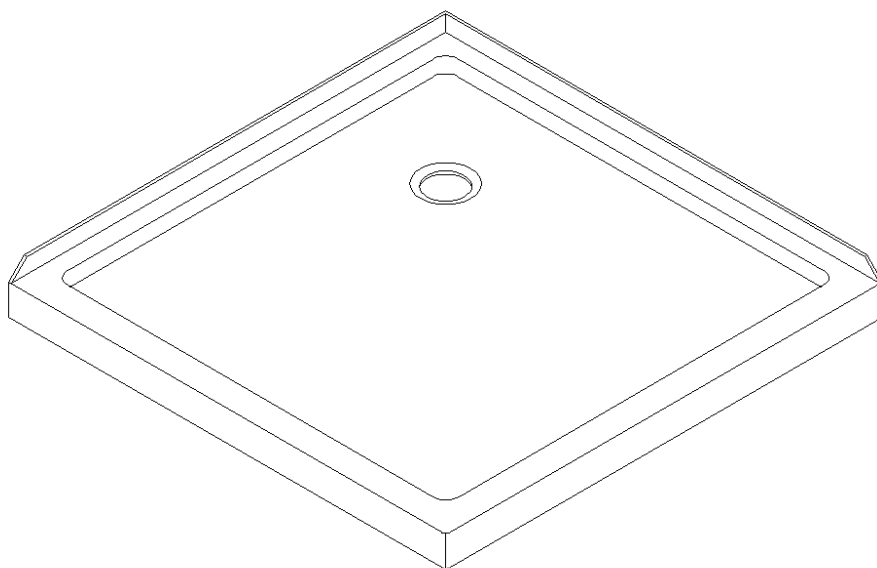
## QUARTER ROUND SHOWER BASE



| MODEL       | SPECIFICATION | W (in) | C (in) | R (in)  |
|-------------|---------------|--------|--------|---------|
| DLT-7033330 | 33"×33"       | 33"    | 12"    | 21 5/8" |
| DLT-7036360 | 36"×36"       | 36"    | 12"    | 21 5/8" |
| DLT-7038380 | 38"×38"       | 38"    | 12"    | 21 5/8" |

## DOUBLE THRESHOLD SHOWER BASE

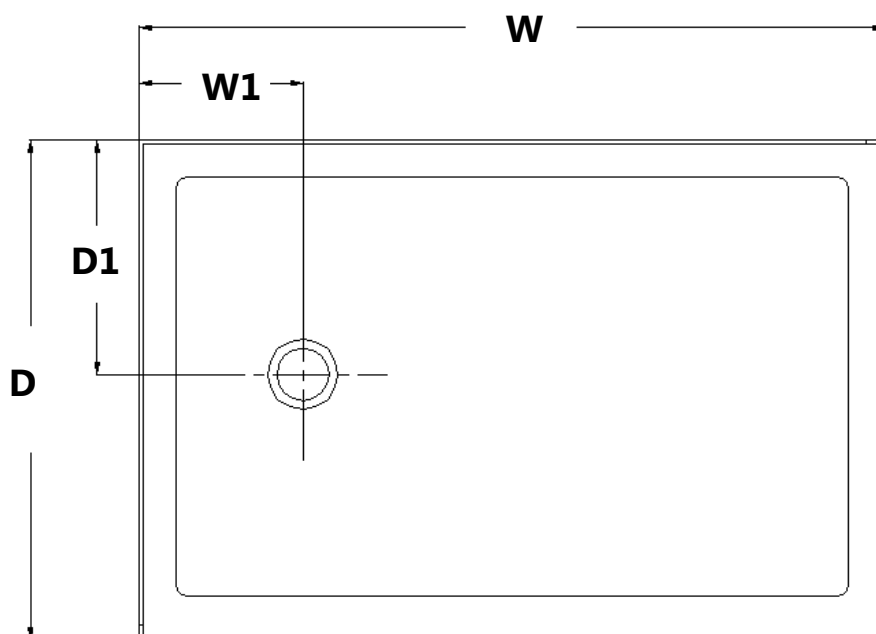
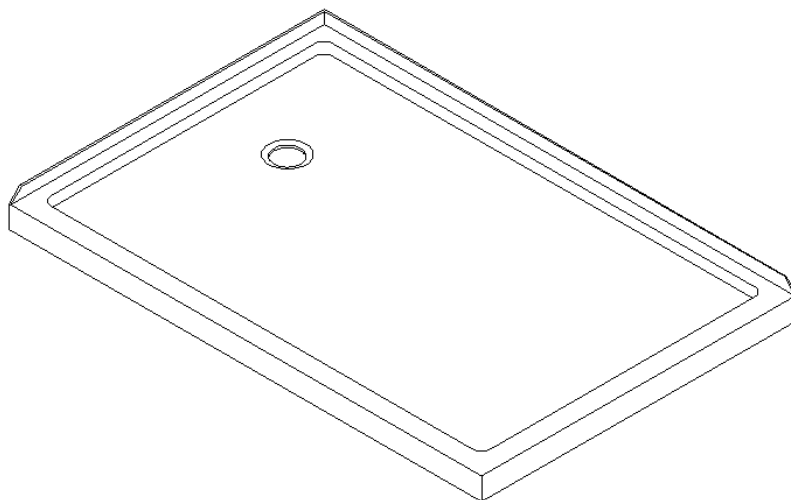
### Corner Drain Configuration



| MODEL       | SPECIFICATION | W (in) | C (in) |
|-------------|---------------|--------|--------|
| DLT-1032320 | 32"×32"       | 32"    | 12"    |
| DLT-1036360 | 36"×36"       | 36"    | 12"    |

## DOUBLE THRESHOLD SHOWER BASE

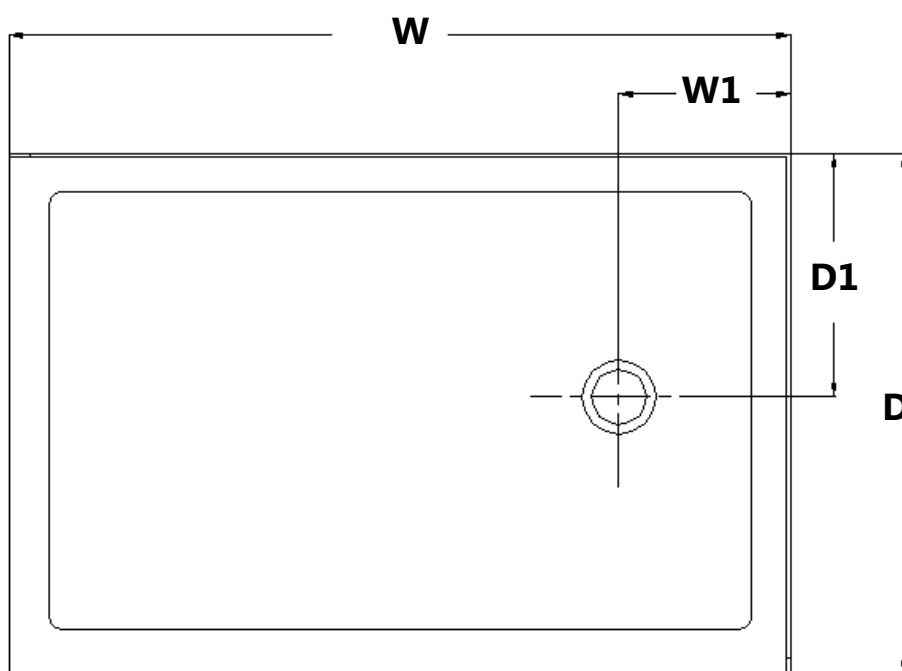
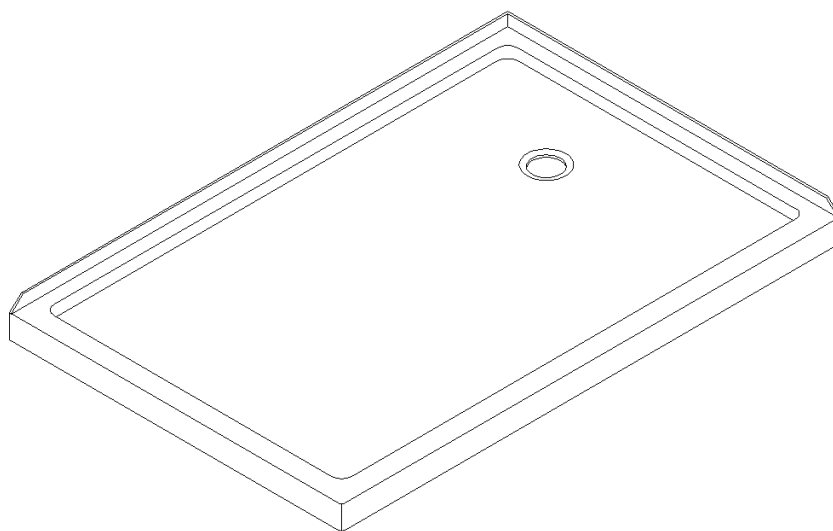
### Left-Hand Drain Configuration



| MODEL       | SPECIFICATION | D (in) | W (in) | D1 (in) | W1 (in) |
|-------------|---------------|--------|--------|---------|---------|
| DLT-1034481 | 34"×48"       | 34"    | 48"    | 17"     | 12"     |
| DLT-1036481 | 36"×48"       | 36"    | 48"    | 18"     | 12"     |
| DLT-1036541 | 36"×54"       | 36"    | 54"    | 18"     | 12"     |
| DLT-1036601 | 36"×60"       | 36"    | 60"    | 18"     | 12"     |

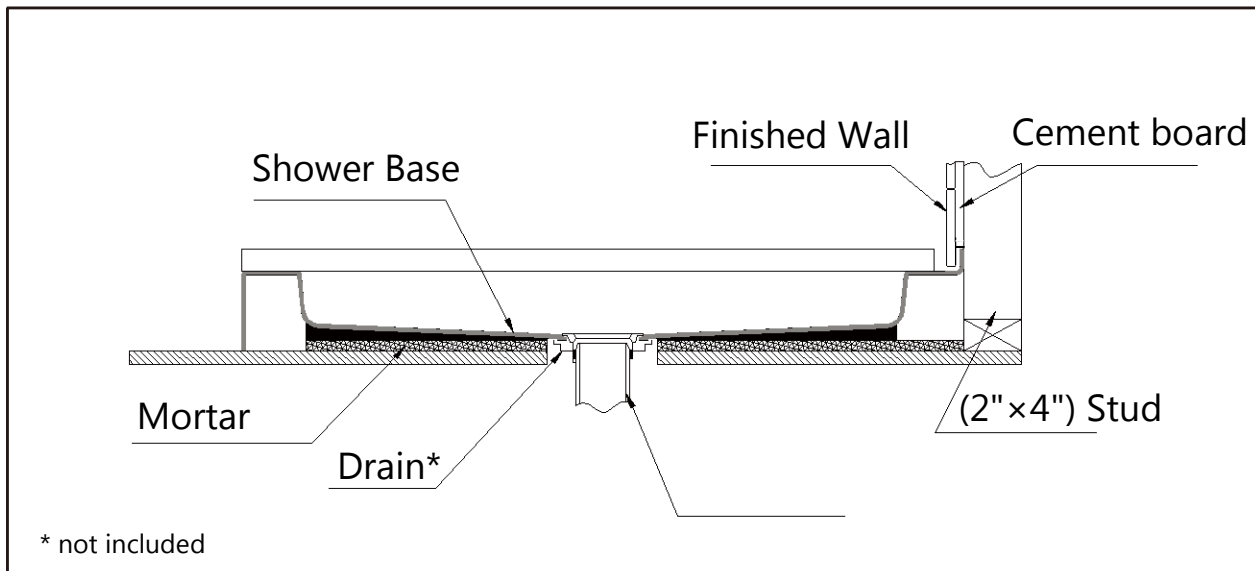
## DOUBLE THRESHOLD SHOWER BASE

### Right-Hand Drain Configuration



| MODEL       | SPECIFICATION | D (in) | W (in) | D1 (in) | W1 (in) |
|-------------|---------------|--------|--------|---------|---------|
| DLT-1034482 | 34"×48"       | 34"    | 48"    | 17"     | 12"     |
| DLT-1036482 | 36"×48"       | 36"    | 48"    | 18"     | 12"     |
| DLT-1036542 | 36"×54"       | 36"    | 54"    | 18"     | 12"     |
| DLT-1036602 | 36"×60"       | 36"    | 60"    | 18"     | 12"     |

## Shower Base Cross Section Diagram



## Shower Base Installation - Preparation

1. Ensure that the floor and the studs are at right angles.  
Provide a 5"×5" opening in the sub-floor for the drain.  
The 2" PVC waste pipe should extend above the surface of the sub-floor according to the drain installation instructions and the height of the Shower base.  
Refer to the product drawings and tables in this installation manual for the drain location.

See Fig. 1 and Fig. 2 for details.

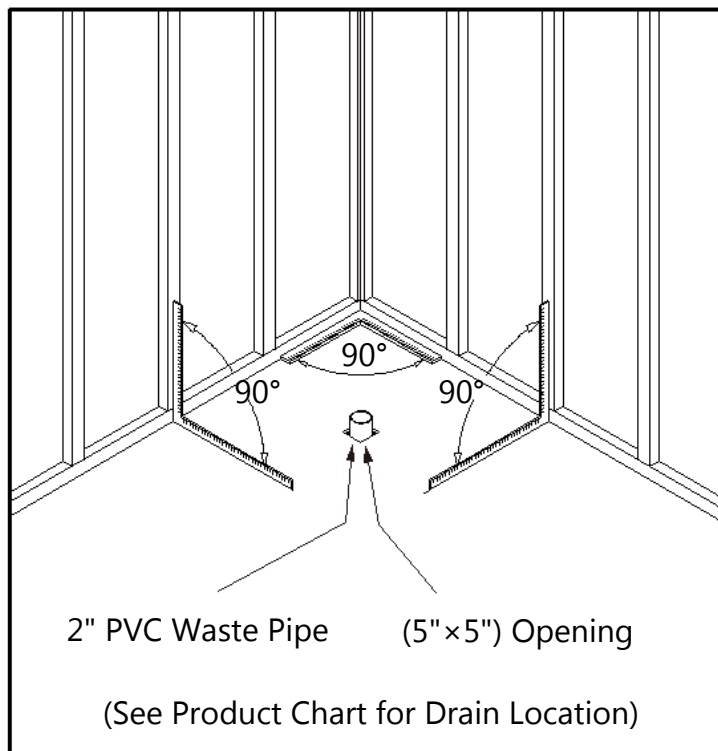


Fig. 1

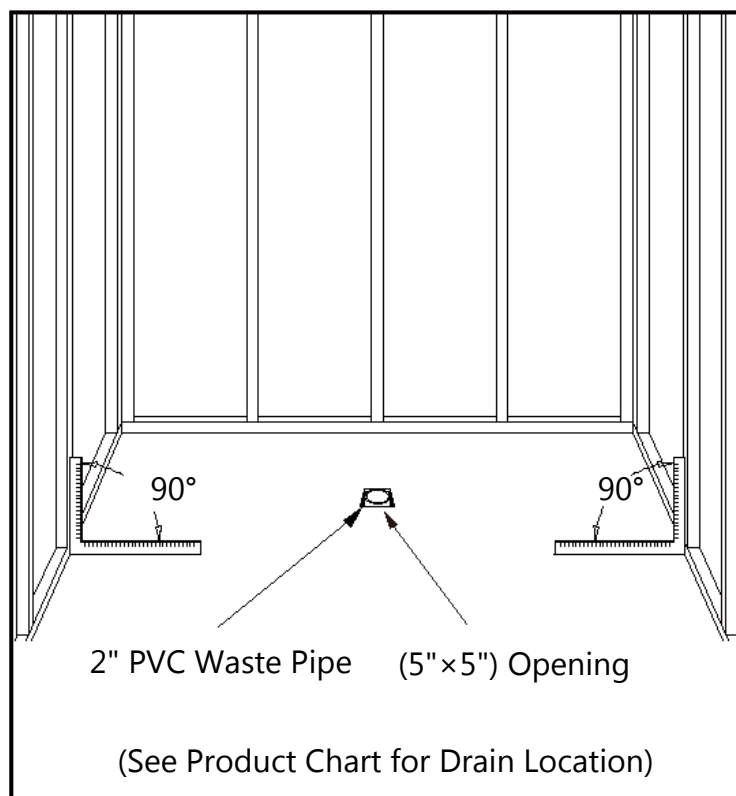


Fig. 2

2. Install the shower drain (**NOT INCLUDED**) according to the drain installation manual (supplied with the drain).

See Fig. 3 for example

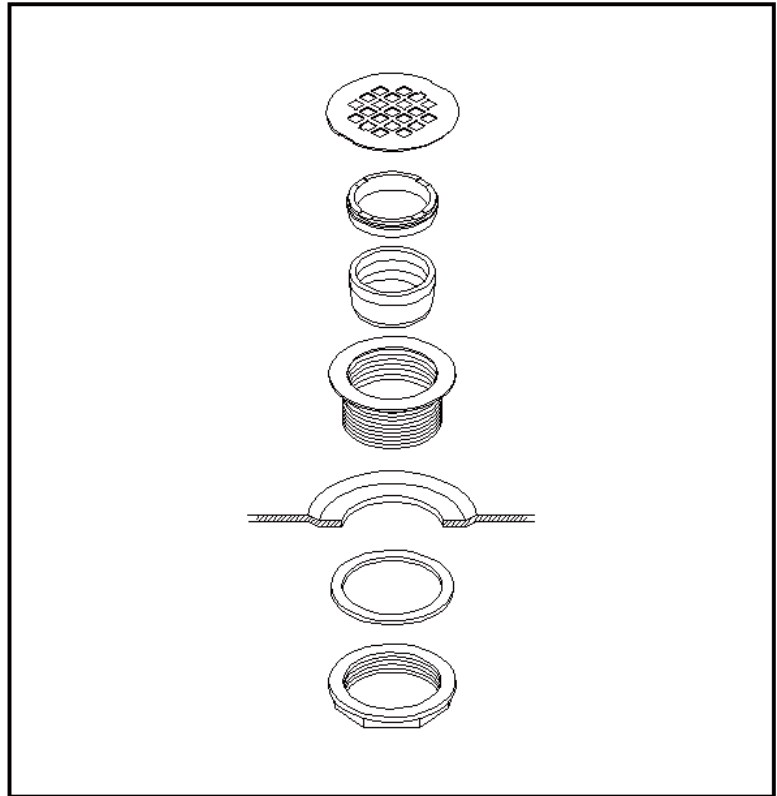
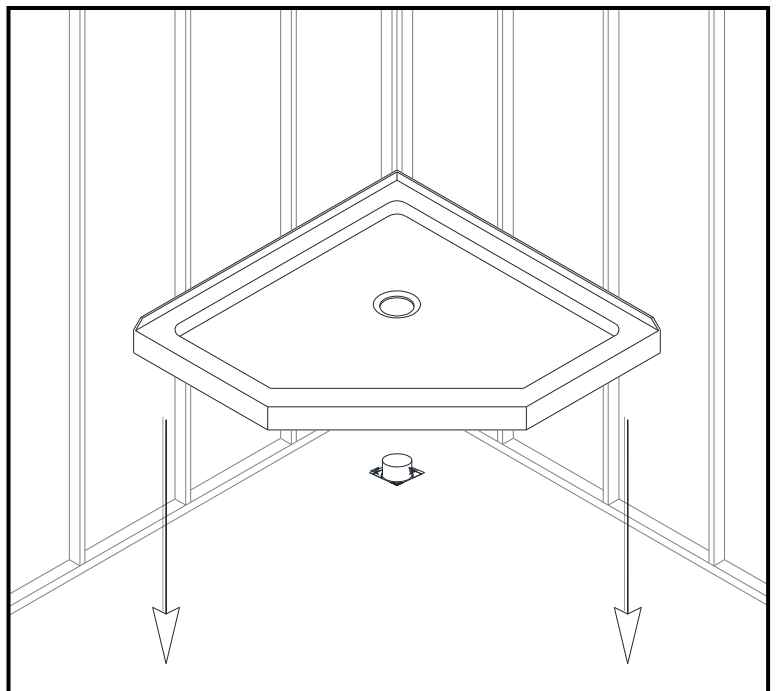


Fig. 3

3. Place the tray into the designated position so that the Drain cutout drops around the Drain Pipe and butt the Shower Base up against the studs.

See Fig. 4 for details.



Lower the base over the drain pipe and set it into place against the studs.

Fig. 4



4. Level the tray and place marks on the studs above the upper edge of the tile flange.

See Fig. 5 for details.

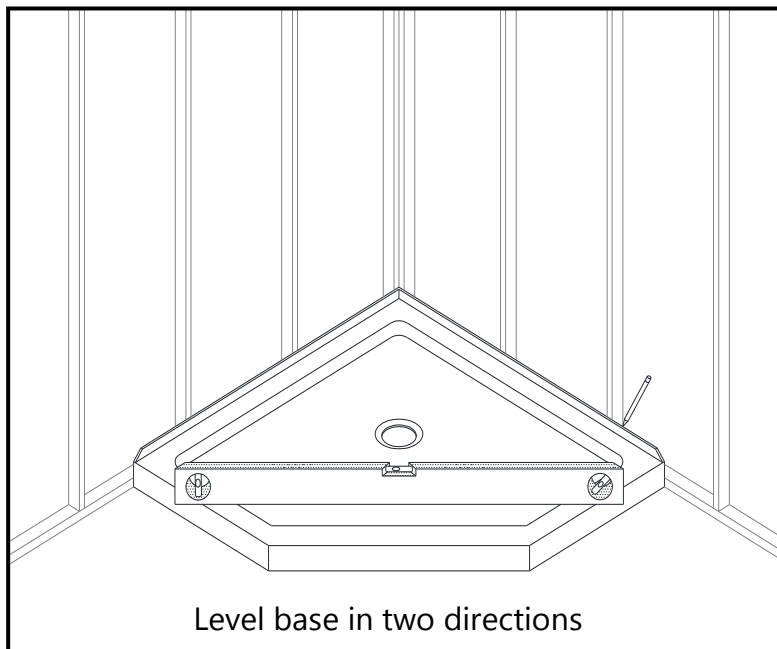


Fig. 5

5. Mix the bedding material (Mortar, cement-sand mix, etc.) **Concrete or plaster is not recommended.** Apply enough bedding material to support the entire bottom of the shower base. This will add additional stability and prevent the base from shifting position.

See Fig. 6 for details.

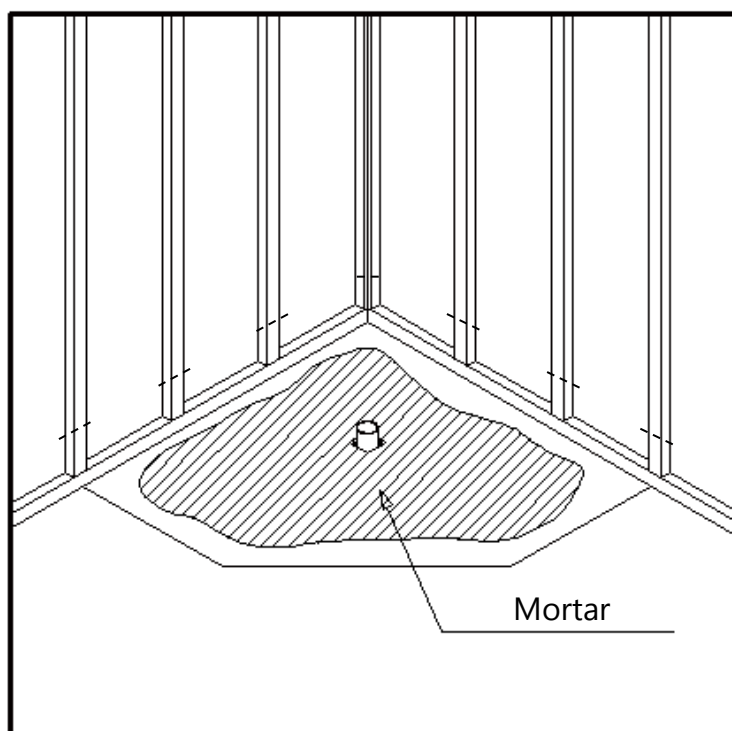


Fig. 6

6. After the bedding material has been poured and *before* it sets, place the shower base into the position with the drain assembly sliding over the PVC waste pipe. It will be necessary to push the shower base until the top of the tile flange aligns with the marks drawn on the studs and the front edge is contacting the rough floor along the entire length of the shower base. Ensure that the base is level in all directions. You may need to use shims to hold the tray level until the bedding fully sets. Remove all excess mortar.

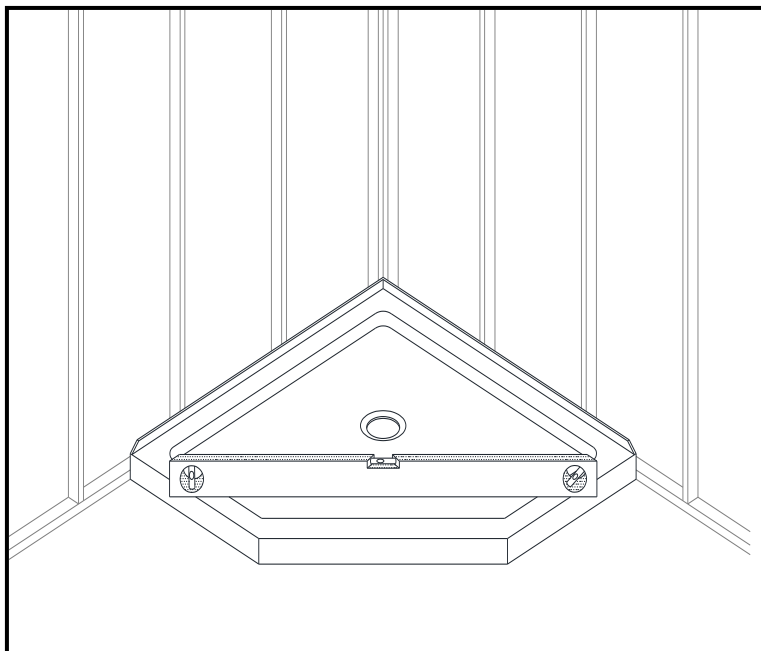


Fig. 7

7. Allow the bedding material to completely harden before applying weight to the bottom of the shower base.

Install the cement board (or the wallboard) above the tile flanges and secure it to the studs. Put the tiles (or other finishing wall material) over the cement board leaving 1/8" gap between the bottom of the tile or wall kit and the shower base. Use caulk to fill the gap.

See Fig. 8 and Fig. 9 for details.

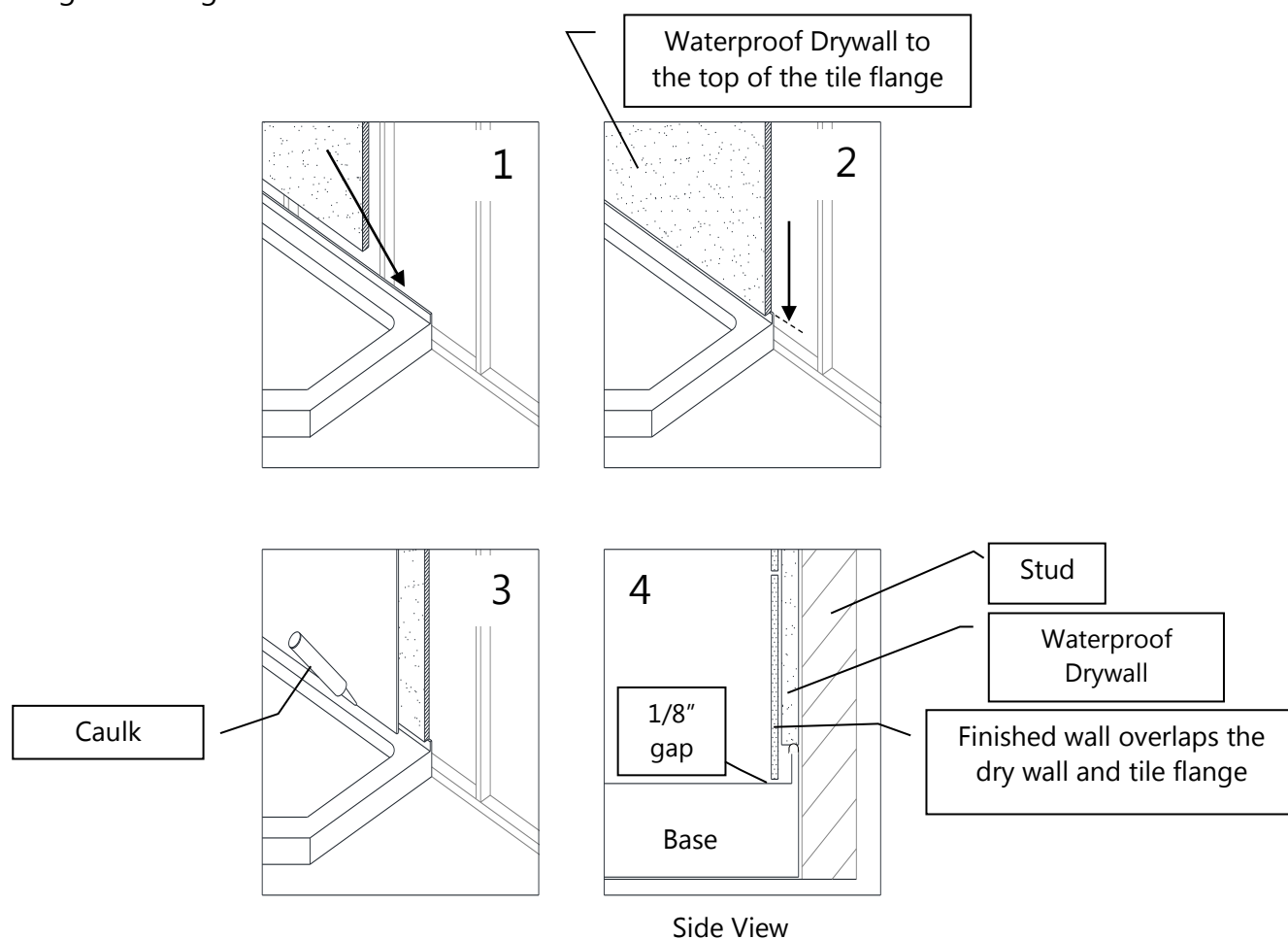


Fig. 8

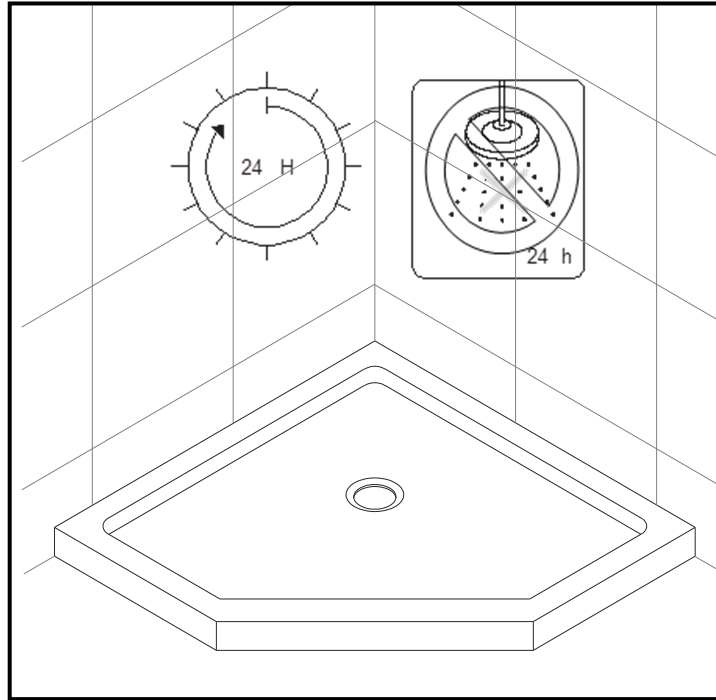


Fig. 9

## **Product Maintenance**

**BASES and BACKWALLS:** To ensure long lasting life for your acrylic base and/or back walls: wipe them off after each use with a soft cloth. To clean the acrylic base or back walls use non-abrasive sprays or cream based cleaners. Avoid the use of aerosol spray cleaners. Never use abrasive cleansers, metal brushes or scrapers that could scratch or dull the surface.

**GLASS:** To ensure long lasting life for your glass shower products: wipe them off after each use with a soft cloth. Rinse and wipe off the glass using either a soft cloth or a squeegee to prevent soap buildup and water spots (Hard water can etch the surface of the glass over time if left to dry). To prevent scratching the surface: never use abrasive cleaners or cleaning products that contain scouring agents. Never use bristle brushes or abrasive sponges that may scratch the surface.

**HARDWARE:** To ensure a long lasting finish: wipe off the metal parts after each use with a soft cloth. Do not use abrasive cleaners or cleaning products containing ammonia, bleach or acid. If accidentally used, rinse the surface as soon as possible to prevent damage to the finish (peeling or corrosion). After cleaning the polished finishes, rinse thoroughly and wipe dry with a soft cloth.

Clean stainless steel surfaces at least once a week. When applying stainless steel cleaner or polish to stainless steel hardware, work with (not across) the grain. Never use an abrasive sponge or cloth, steel wool or wired brush as these may permanently scratch the surfaces.

**NOTE:** To maximize the life of your door, it is important to regularly inspect the glass and other hardware for misalignment, proper attachment, and/or damage. Contact DreamLine with any questions or concerns.



TEL: [866-731-2244](tel:866-731-2244)

FAX: [866-857-3638](tel:866-857-3638)

[DREAMLINE.COM](http://DREAMLINE.COM)

For more information on [DreamLine® Shower Doors](http://DreamLine.com) and [Enclosures](#) please visit [DreamLine.com](http://DreamLine.com)

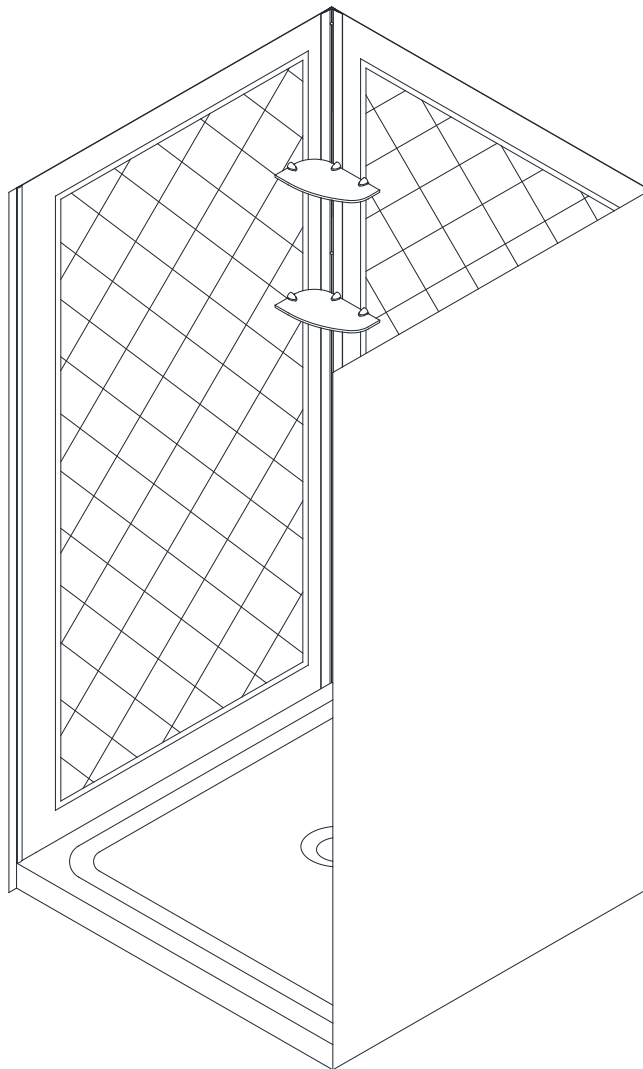


## QWALL – 5.1 (1 Back Panel)

### SHOWER ACRYLIC WALL INSTALLATION INSTRUCTIONS

#### **IMPORTANT**

DreamLine™ reserves the right to alter, modify or redesign products at any time without prior notice. For the latest up-to-date technical drawings, manuals or any other details please refer to your model's web page on [BathAuthority.com](http://BathAuthority.com)



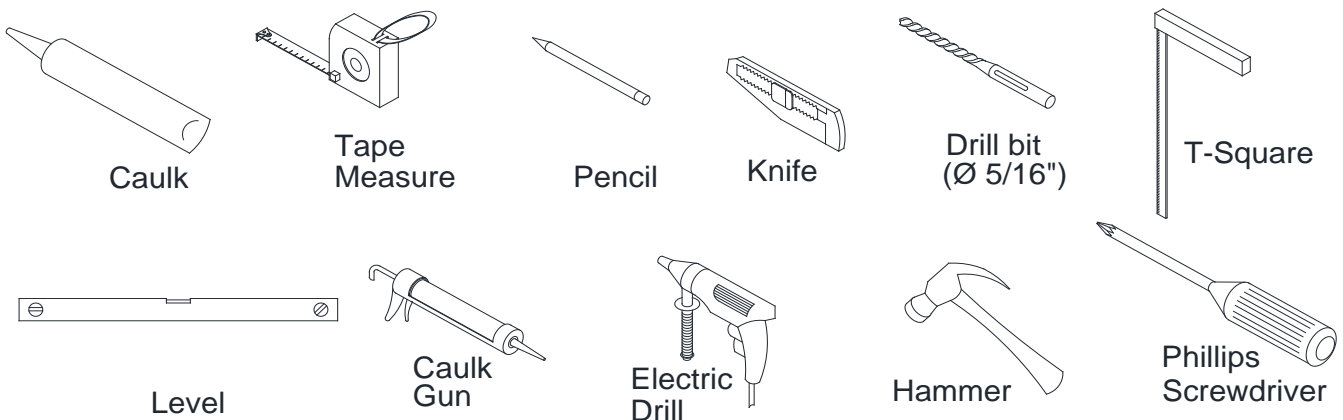
Please read these instructions carefully before installing. If you have any questions regarding installation, please call our technical support specialists Monday through Friday 8:00 AM – 7:00 PM EST at Phone: [1-866-731-2244](tel:1-866-731-2244), Fax: [1-866-857-3638](tel:1-866-857-3638) or e-mail our technical support group at [support@BathAuthority.com](mailto:support@BathAuthority.com).

For more information on [DreamLine™ Shower Back Wall](http://www.BathAuthority.com) please visit [www.BathAuthority.com](http://www.BathAuthority.com)

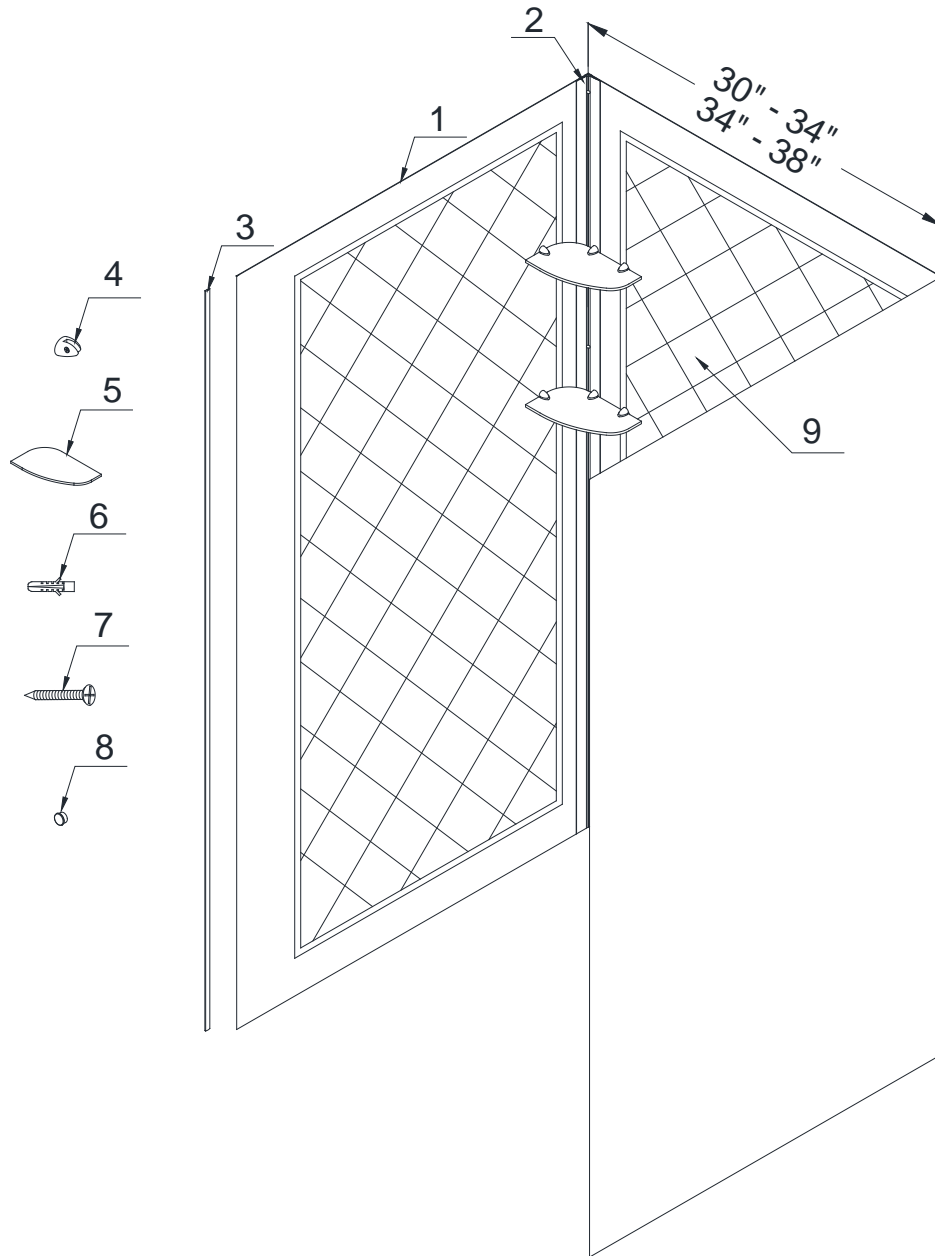
## Preparation

1. Prior to installation, examine all boxes and packages for shipping damage and compare the piece count with your packing slip. After opening all boxes and packages read this introduction carefully. Check that all of the needed parts are included in the package by checking off the components on the "Detailed Diagram of Acrylic Shower Wall Components". If the unit has been damaged, has a finishing defect, or has missing parts, please contact our customer support department within **3 business days** of the delivery date. Please note that **DreamLine™ will not replace any damaged products or missing parts free of charge after 3 business days or if the product has been installed.** Feel free to contact DreamLine™ if you have any questions, and please provide an order number, job name or other proof of purchase to help us identify your original order.
2. **Please note that you should consult your local building codes with questions about installation compliance standards. Building and plumbing codes may vary by location, and DreamLine is not responsible for code compliance standards for your project.**
3. This acrylic wall system is specially designed to be installed over any solid surface. If you are installing the acrylic walls over existing tiles, remove all loose tiles before the installation. If you are installing over existing painted walls, remove any loose paint. Please, note that some cutting and drilling may be necessary during the installation process.
4. Make sure to turn off the water supply, remove faucet, handles or any fixture trims protruding from the wall. Clean the surface, removing any soap film and dirt from all wall surfaces using regular household detergent, and then wipe dry.

## Tools Required



## Detailed Diagram of Acrylic Shower Wall Components



### Packing List

|    |                         |      |    |                            |       |
|----|-------------------------|------|----|----------------------------|-------|
| 01 | Side panel              | 2pcs | 06 | Wall anchor                | 16pcs |
| 02 | Corner cover            | 2pcs | 07 | Countersunk screw ST4.2×40 | 16pcs |
| 03 | Decorative edge molding | 2pcs | 08 | Decorative cover           | 10pcs |
| 04 | Shelf bracket           | 6pcs | 09 | Back panel                 | 1pc   |
| 05 | Glass shelf             | 2pcs |    |                            |       |

**NOTE:** Unpack your unit carefully and inspect it. Lay it out and identify all parts using the detailed diagram and packing list in your manual as a reference. Before discarding the carton, check for small hardware bags that may have fallen to the bottom of the box. If any parts are damaged or missing, please contact DreamLine™ for replacement. The shipping boxes may contain extra parts not used in your model configuration.

**NOTE:** Retain these installation instructions for future reference.



## Preparation for Installation of Back Panel

1. Place a mark on the walls at a distance of **1"** (**one inch**) from the corner and draw a plumb vertical line from top to bottom.

See Fig. 1 for details.

**NOTE:**

Repeat this step for both corners.

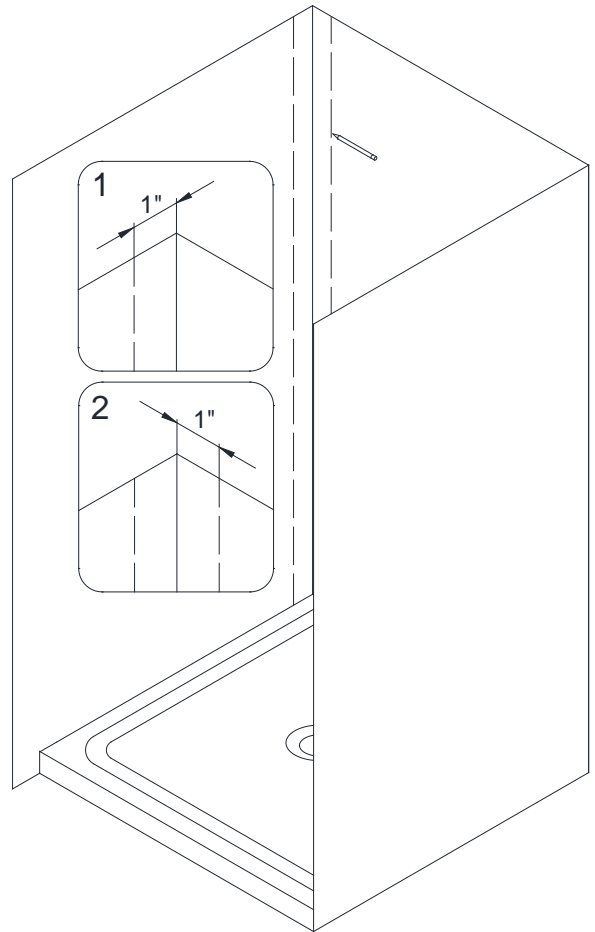


Fig. 1

2. Measure the back wall of the shower between the vertical lines you marked in Step 1. This distance is marked as "**W**".

See Fig. 2 for details.

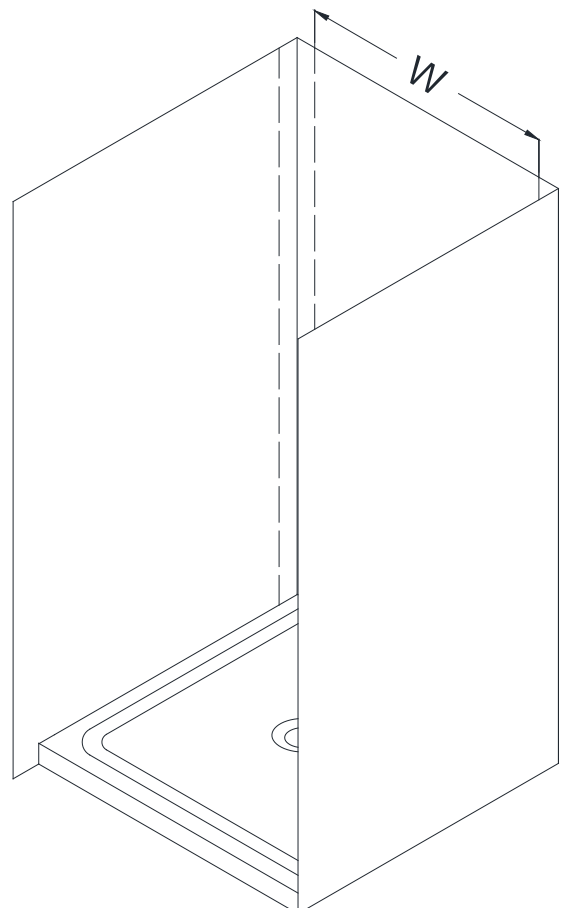


Fig. 2

3. The **Back Panel (09)** has **3-1/8"** flange on both sides and has to be cut equally from both sides if necessary.

See Fig. 3 for details.

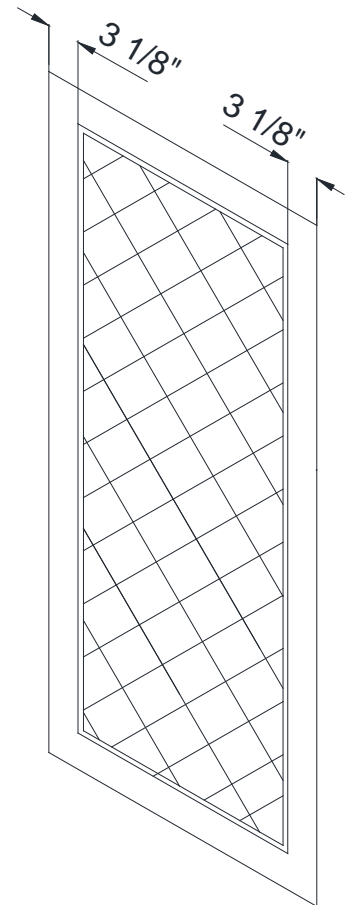


Fig. 3

4. Measure the **Back Panel (09)**.

The Width of the **Back Panel** has to be less than or equal to the distance between the two lines on the back wall in Step. 2

$$L \leq W$$

If the width of the **Back Panel** is greater than the distance between the two vertical lines on the back wall from Step. 2, you will have to trim the **Back Panel** to fit your measurement.

See Fig. 4 for details.

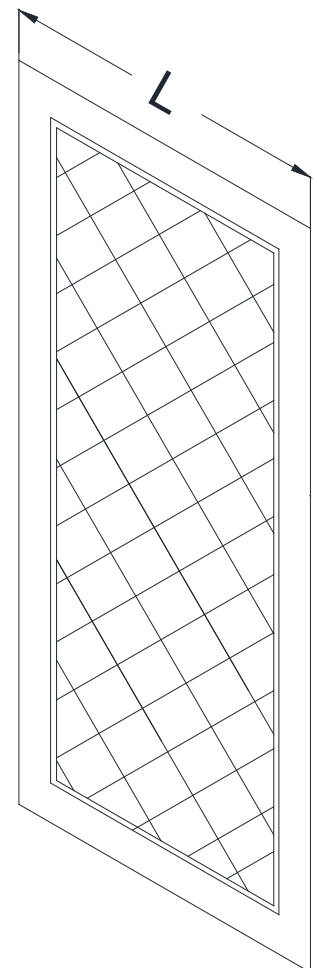


Fig. 4

5. Mark the measurement "**W**" on the **Back Panel (09)** and draw straight lines from top to bottom.

**NOTE:**

The **Back Panel** has to be trimmed equally from both sides.

See Fig. 5 for details.

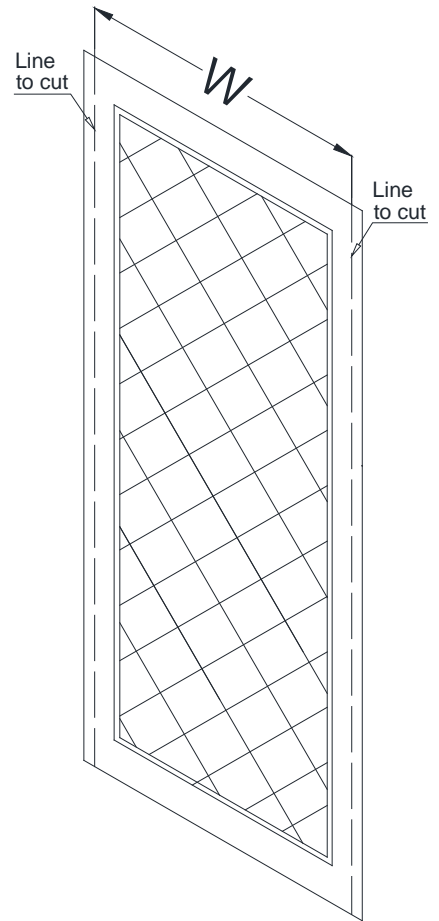


Fig. 5

6. Place the **Back Panel (09)** on a flat piece of plywood or particle board. Use a sharp industrial knife and a T-square to score along the marked side ends of the **Back panel** and continue scoring until you have fully cut through the panel.

See Fig. 6 and Fig. 7 for details.

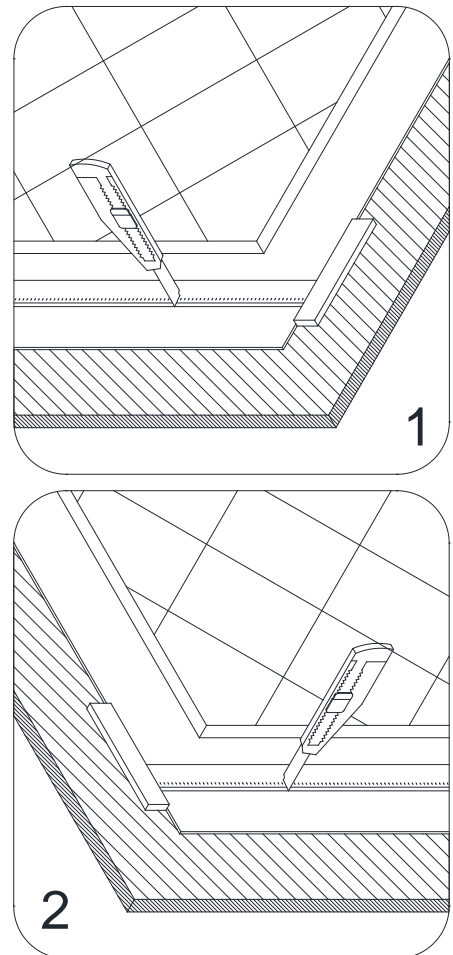


Fig. 6

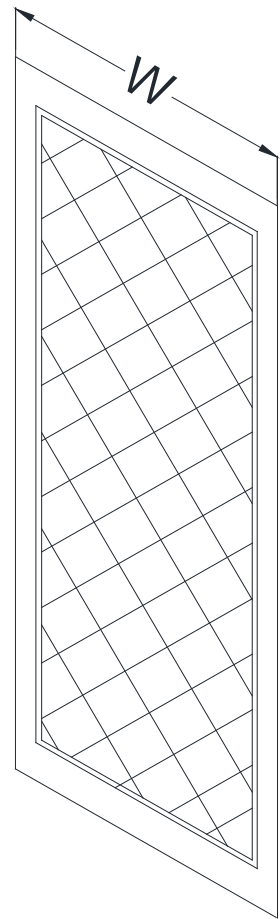


Fig. 7

### Preparation for Installation of Side Panels

**ATTENTION:**

If you are installing a shower door with a wall profile, you can hide the edge of the **Side panel (01)** behind the wall profile.

See Fig. 8 for details.

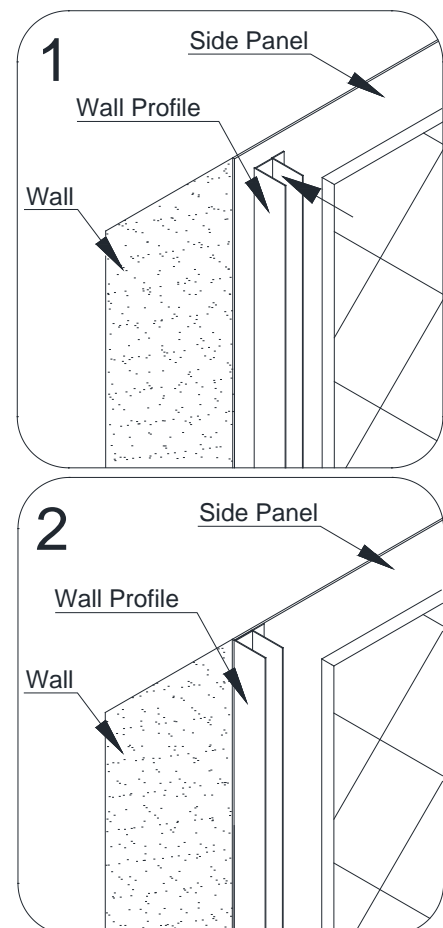


Fig. 8

7. Measure the side walls of the shower from the **1" (one inch)** line in the corner (from Step. 1) to the distance where you want **Side panels (01)** to end.  
The distance is "**D**".

See Fig. 9 for details.

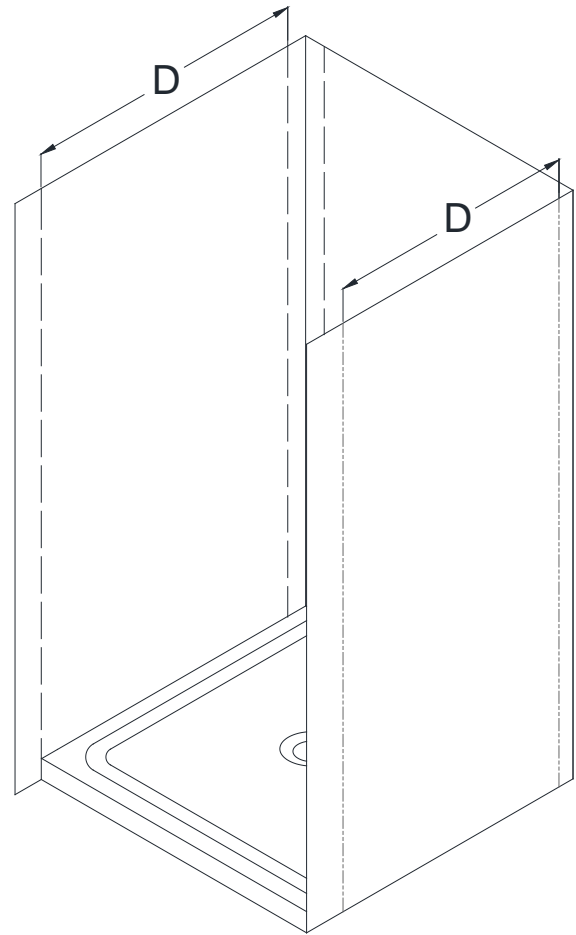


Fig. 9

8. Determine the position of both **Side panels (01)**.

**NOTE:**

- The narrow edge of the **Side panel** fits behind the corner cover and cannot be trimmed.
- The wide edge of the **Side panel** can be trimmed to the size of your measurements from Step. 7.

Measure from the narrow edge of the **Side panel** and place a mark at a distance of "**D**" (that you measured in Step. 7). Draw a straight line from top to bottom along the wide edge of the **Side panel**.

See Fig. 10 for details.

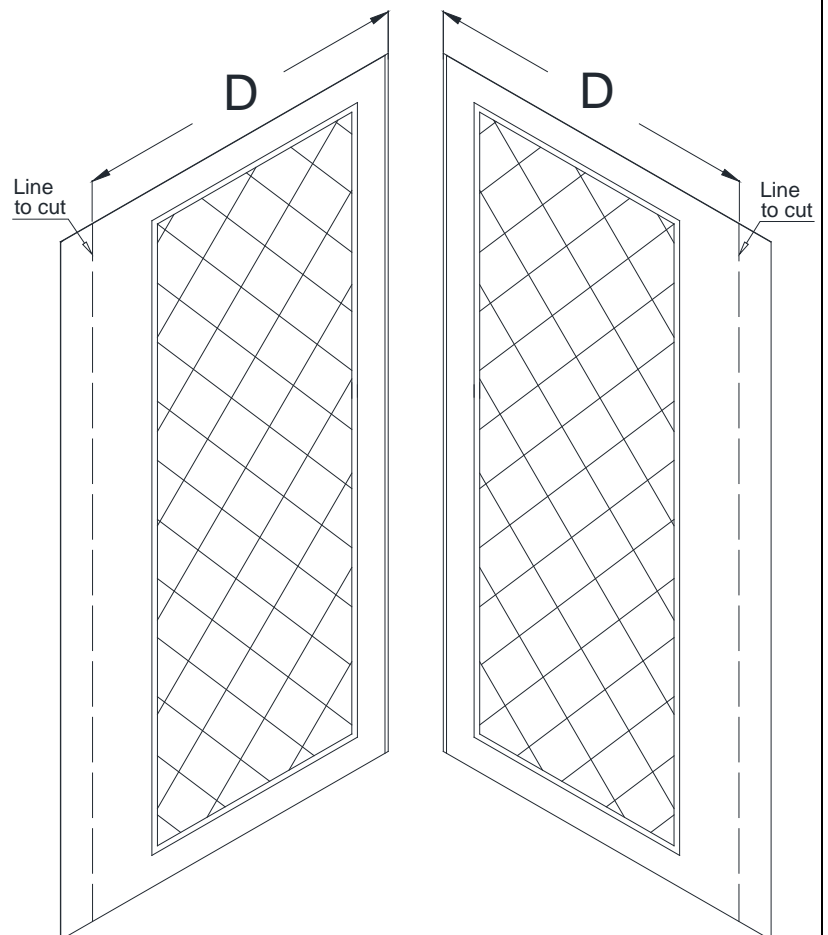


Fig. 10

9. Place the **Side panel (01)** on a flat piece of plywood or particle board. Use a sharp industrial knife and a T-square to score along the marked wide ends of the **Side panel** and continue scoring until you have fully cut through the panel.

See Fig. 11 and Fig. 12 for details.

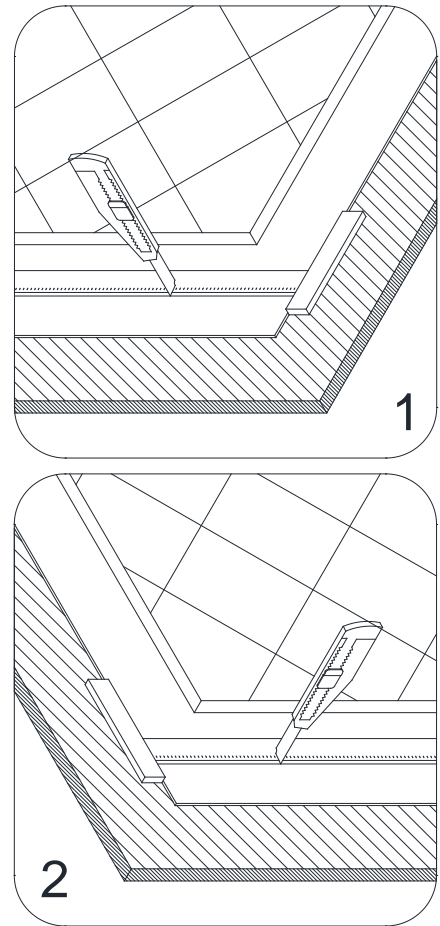


Fig. 11

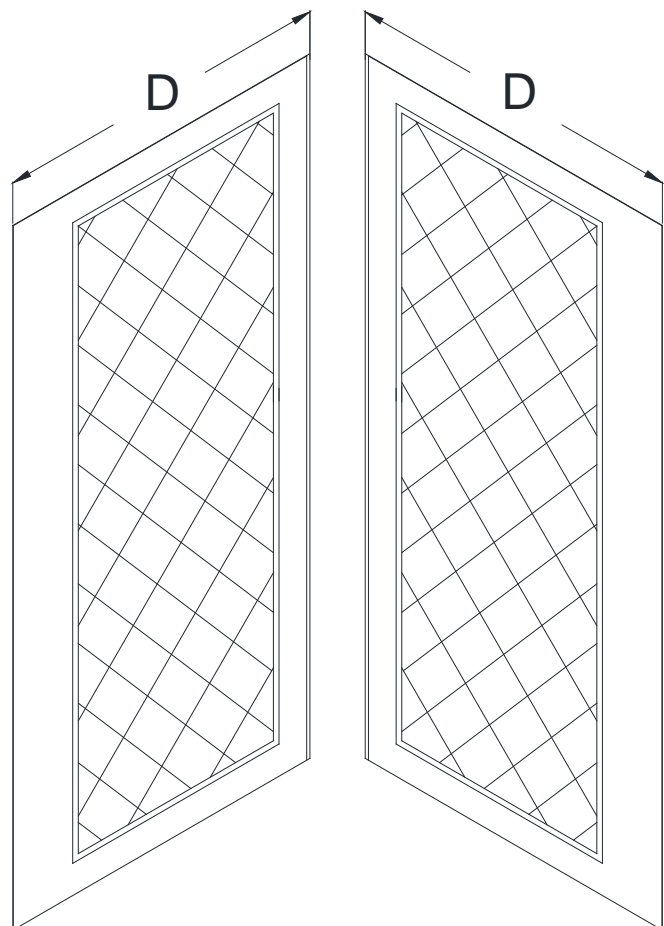


Fig. 12

10. Take exact measurements of the fixture on the wall:

- from the **1" (one inch)** line in the corner of the shower to the fixture: **(A, B, C)**
- from the bottom of the wall of the shower to the fixture: **(E, F).**

See Fig. 13 for details.

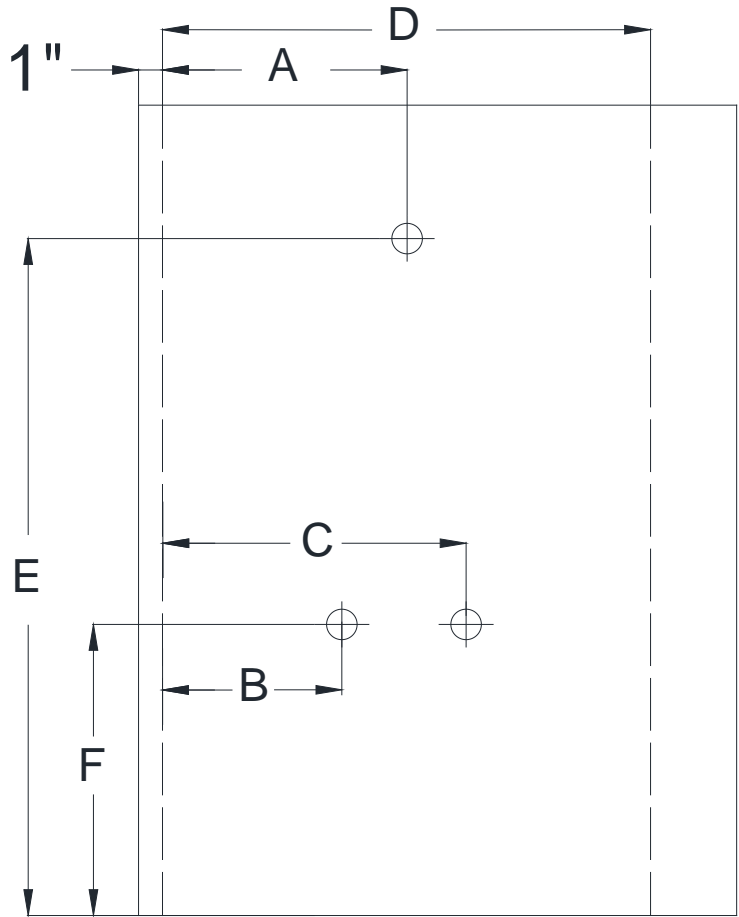


Fig. 13

11. Determine which **Side panel (01)** will be installed on the side wall with the fixture.

Mark the fixture location on the **Side panel** according to the measurements taken in Step. 10.

See Fig. 14 for details.

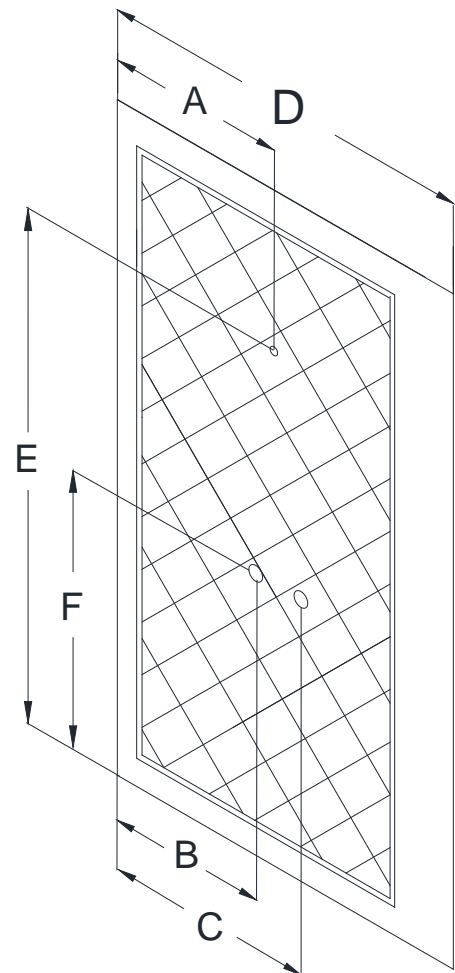


Fig. 14

12. Drill the holes for the fixtures in the **Side panel (01)** using the proper diameter saw bit or a handheld jig saw.

See Fig. 15 for details.

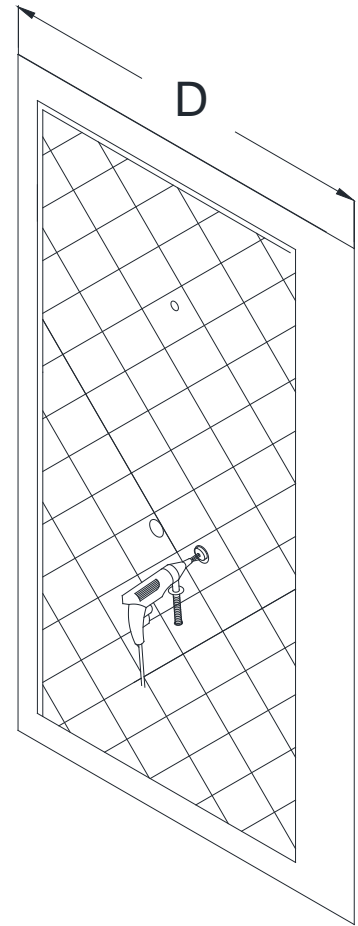


Fig. 15

### **Acrylic Back Panel and Side Panel Installation Instruction**

13. Attach the **Corner cover (02)** to the corner of the shower and mark the drilling holes through the predrilled holes in the **Corner cover**.

Move aside the **Corner cover**, Drill the holes using **Ø5/16"** drill bit and insert the **Wall Anchors (06)**.

See Fig. 16 and Fig. 17 for details.

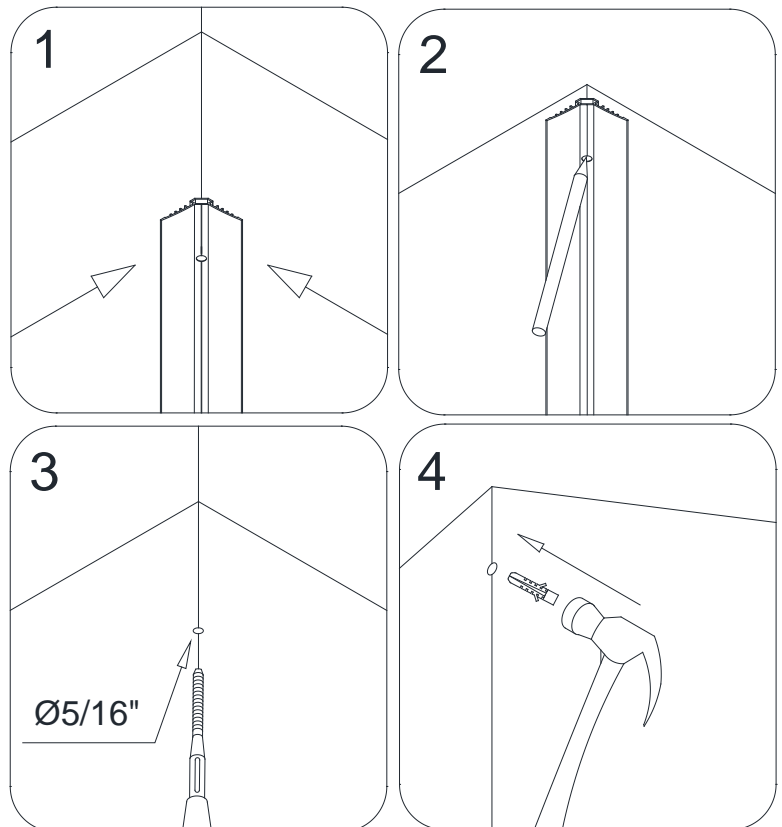


Fig. 16



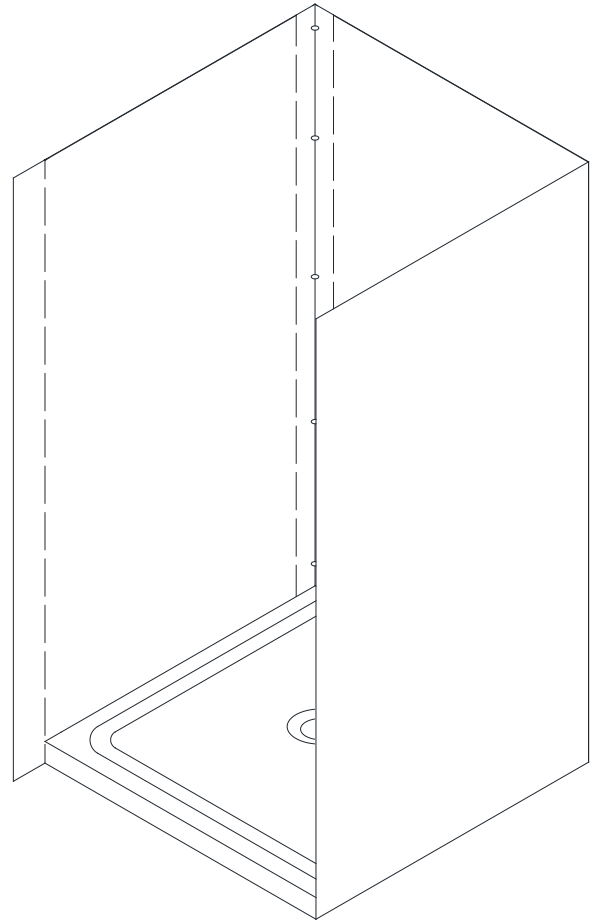


Fig. 17

**ATTENTION:**

Installation of all Acrylic panels must be finished before the sealant sets for easy leveling and adjustments.

14. Apply the sealant to the entire surface of the reverse side of the **Back panel (09)**.

See Fig. 18 for details.

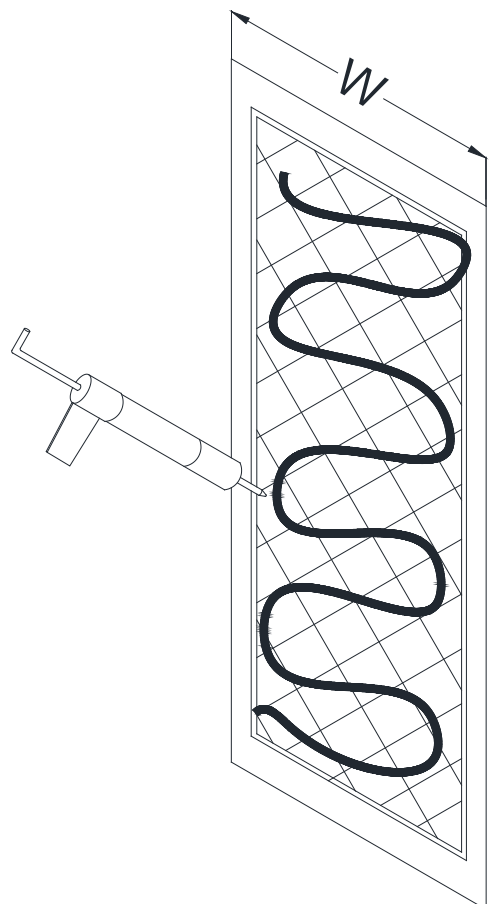


Fig. 18

15. Attach the **Back Panel (09)** to the center of the back wall with the equal distance between two lines.

See Fig. 19 for details.

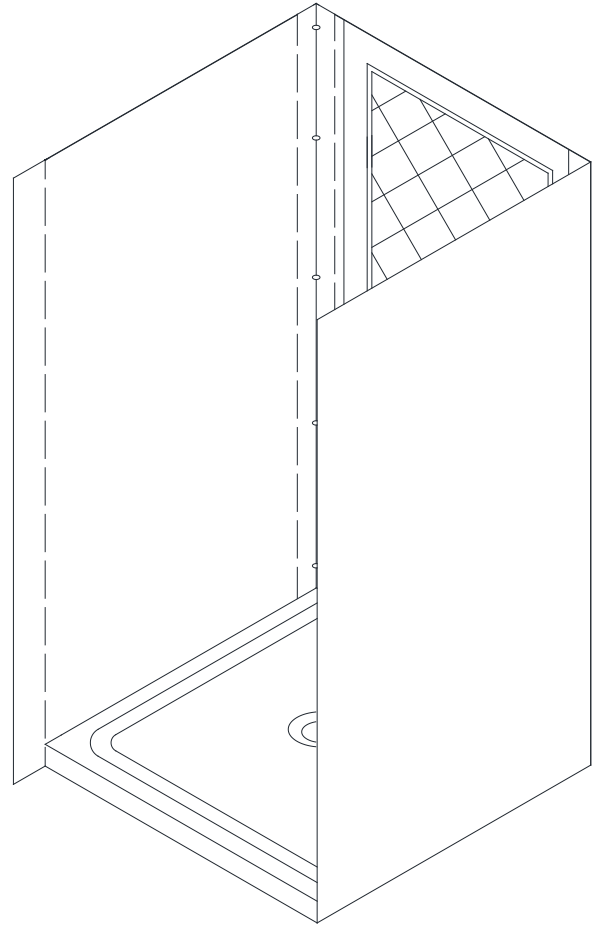


Fig. 19

16. Mount the **Corner cover (02)** to the corner of the shower using the **Countersunk screws ST4.2×40 (07)**.

Do not fully tighten the screws at this time; leave them loose for further installation.

See Fig. 20 for details

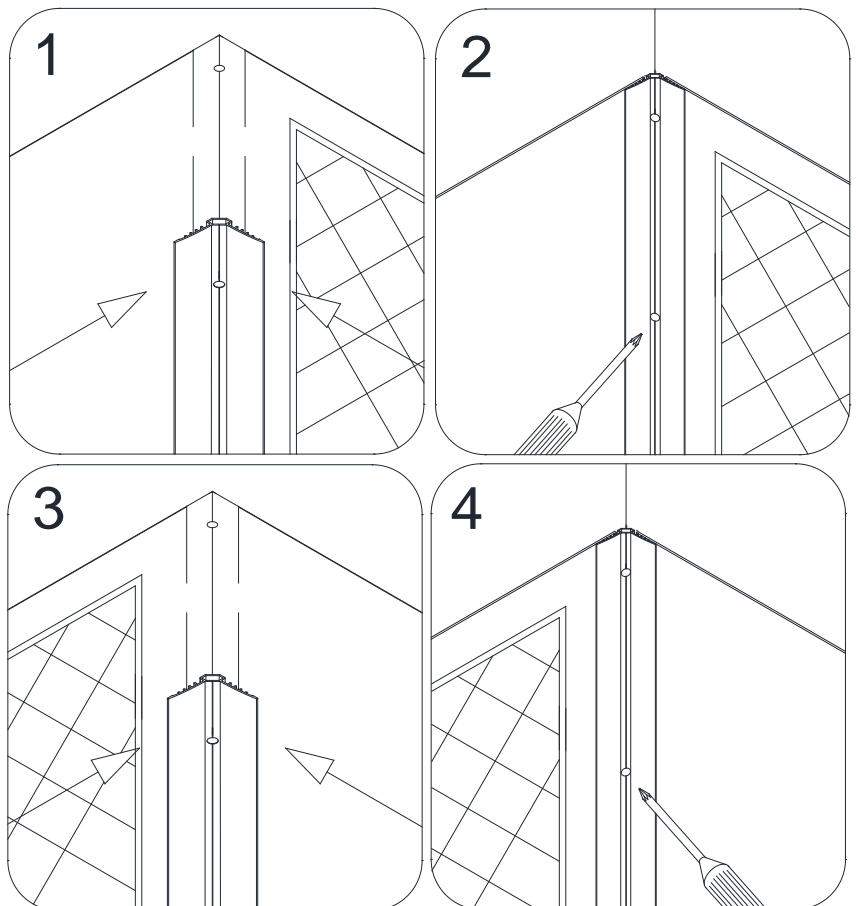


Fig. 20

17. Apply the sealant to the entire surface of the reverse side of the **Side panel (01)**.  
Also, apply the sealant around the drilled holes.

See Fig. 21 for details.

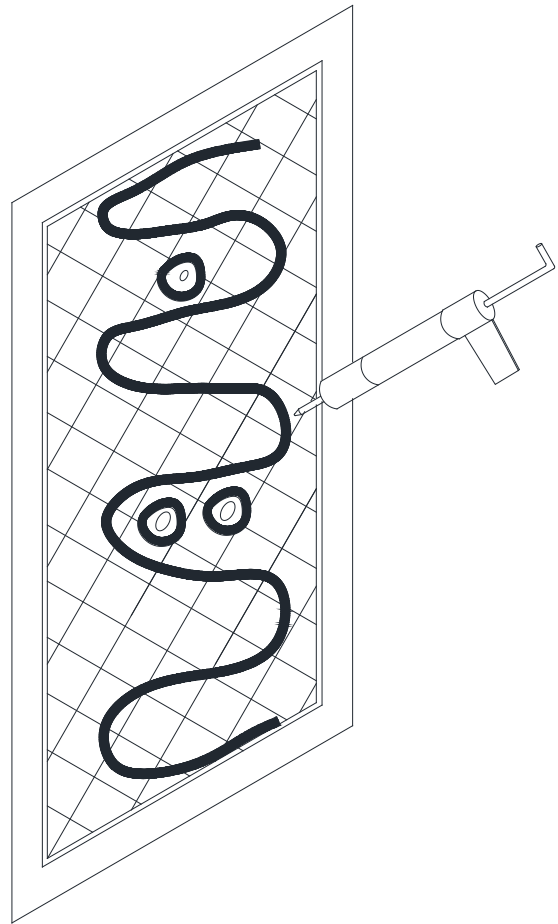


Fig. 21

18. Slide the narrow edge of the **Side panel (01)** behind the **Corner cover (02)**.  
Align trimmed edge of the **Side panel** (from Step. 9) with the marked line on the wall (in Step. 7) and push the **Side panel** against the wall.

**NOTE:**

Make sure the drilled holes on the **Side panel** are also aligned with the fixtures on the wall.

See Fig. 22 for details.

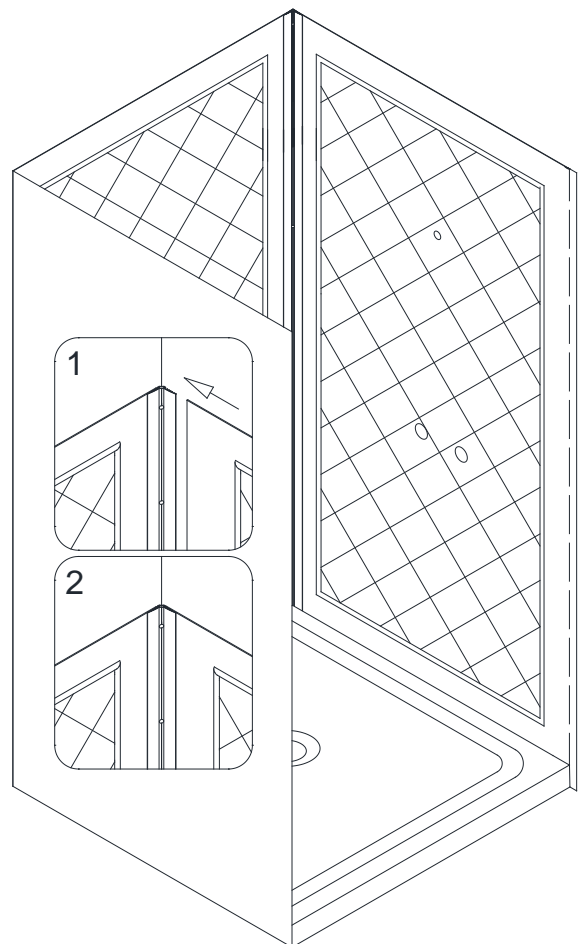


Fig. 22

19. Apply sealant to the entire surface of the reverse side of the other **Side panel (01)**.

See Fig. 21 for details.

20. Slide the narrow edge of the **Side panel (01)** behind the **Corner cover (02)**.

Align trimmed edge of the **Side panel** (from Step. 9) with the marked line on the wall (in Step. 7) and push the **Side panel** against the wall.

Align the top of both **Side panels** and the **Back panel** before the sealant sets. Apply equal pressure to the whole surface of the Acrylic panels from top to bottom.

See Fig. 23 for details.

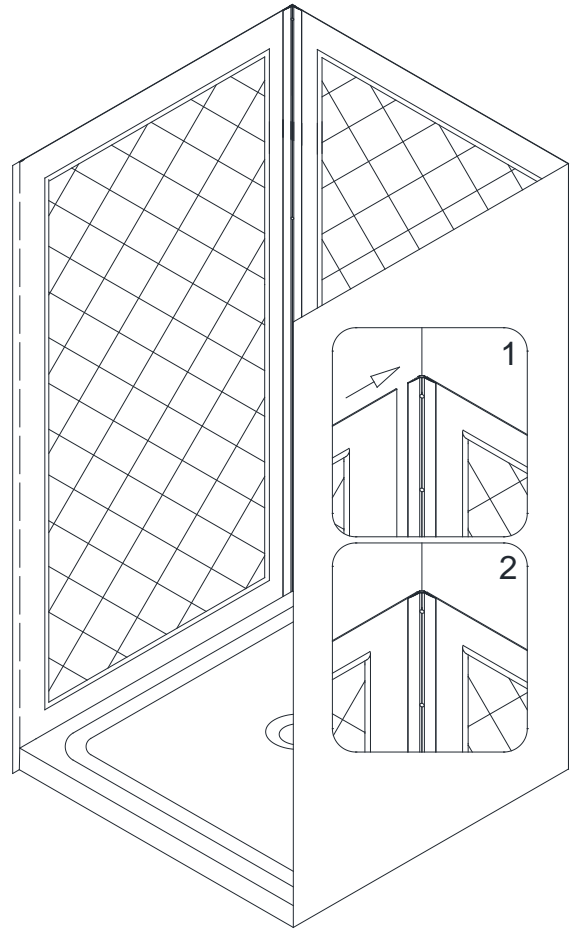


Fig. 23

21. Once all panels are aligned, fasten tight the **Corner covers (02)** to secure the **Side panels (01)** and the **Back panel (09)**.

Cover the screw holes with the **Decorative covers (08)**.

See Fig. 24 for details.

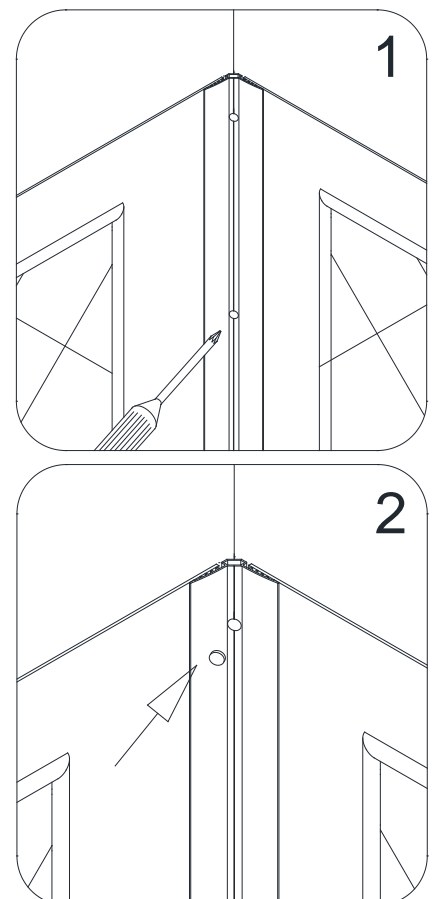


Fig. 24

**ATTENTION:**

**Prior to the next step, please be sure the part of the wall for installation of the Decorative edge molding (03) is clean, dry and free from soap, oil and any construction debris.**

22. Gently remove the plastic tape from the adhesive side of the **Decorative edge molding (03)** and firmly press it to the edge of the **Side panel (01)** from top to bottom.

See Fig. 25 for details.

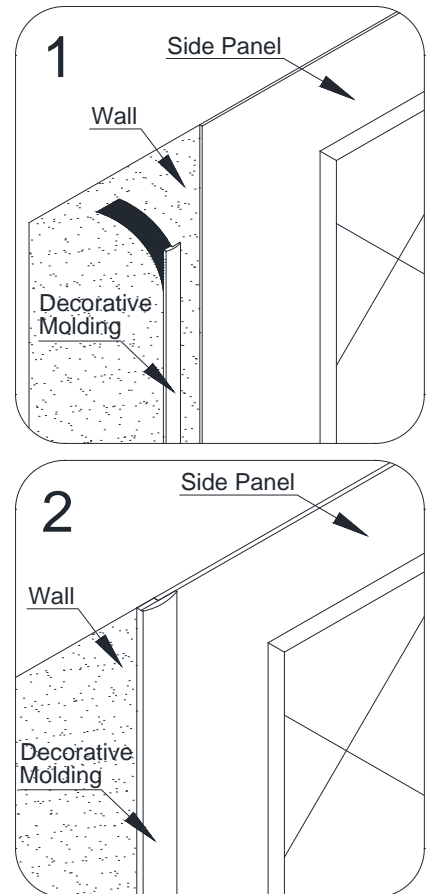


Fig. 25

23. Apply caulk along the top edges of the **Side panels (01)** and the **Back panels (09)**. Apply caulk along the connection of the bottom edges of the **Side panels** and bottom edges of the **Back panels** with the Shower base.

See Fig. 26 for details.

**ATTENTION:**

Installation of your "QWALL-5" Acrylic shower wall is complete.

If you want to install **Glass shelves (05)** to your Shower, follow to the next step.

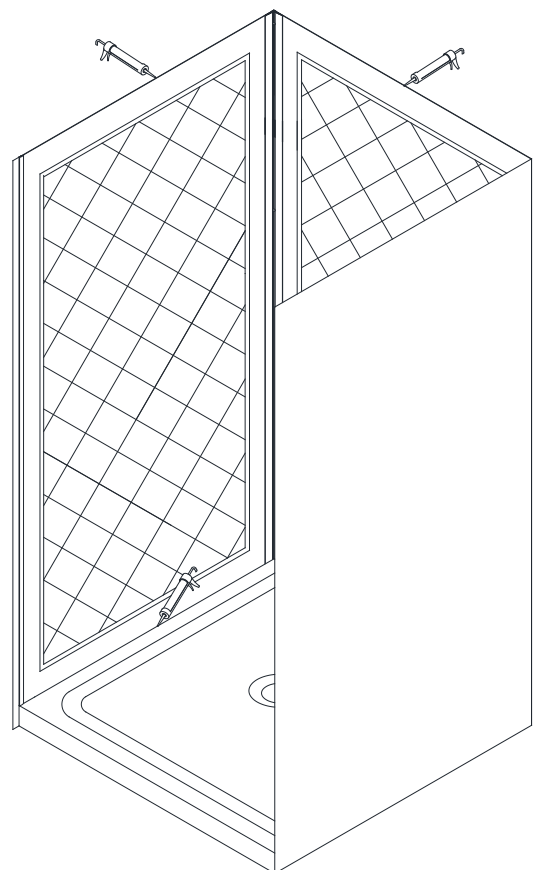


Fig. 26

## Glass Shelves Installation Instruction

24. Determine the desired height for the **Glass shelves (05)** and mark the locations on the wall.

**NOTE:**

The **Glass shelves** can be installed either two in one corner, or one in each.

See Fig. 27 for details.

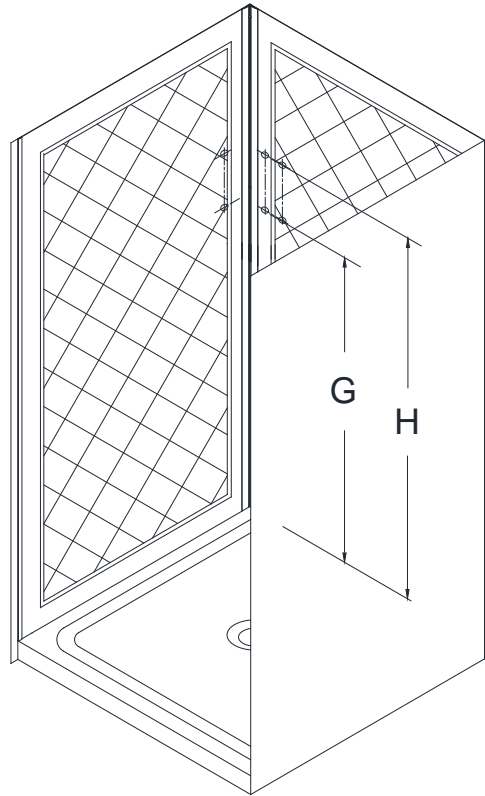


Fig. 27

25. Mark the location for the **Shelf brackets (04)** according to the measurements in [Fig. 24](#) and [Fig. 25.1](#).

Drill the holes using **Ø5/16"** drill bit and insert the **Wall anchors (06)**.

See Fig. 28 for details.

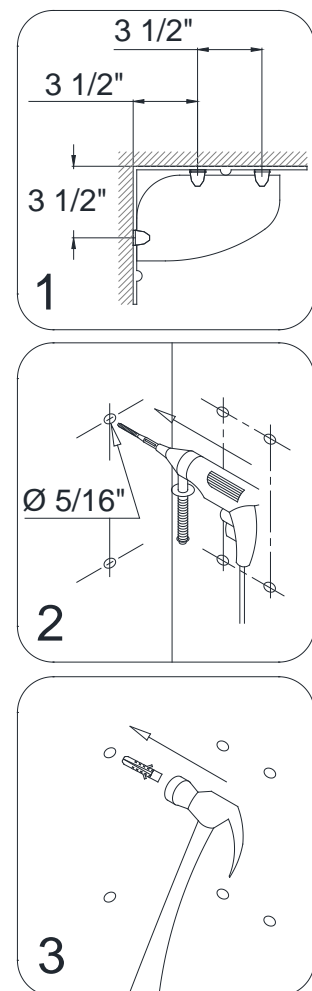


Fig. 28

26. Mount the **Shelf brackets (04)** to the wall using the **Countersunk screws ST4.2×40 (07)**.

**NOTE:** the padded set screw of the Glass bracket should be facing down.

Slide the upper **Glass shelf (05)** into the upper **Shelf brackets** and tighten the set screws at the bottom of the brackets. Then slide the bottom **Glass shelf** in place. Tighten the set screws on the bottom **Shelf brackets** as well.

See Fig. 29 and Fig. 30 for details.

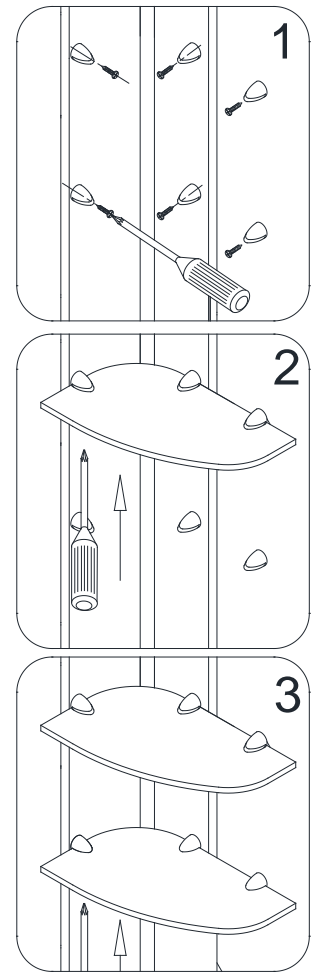


Fig. 29

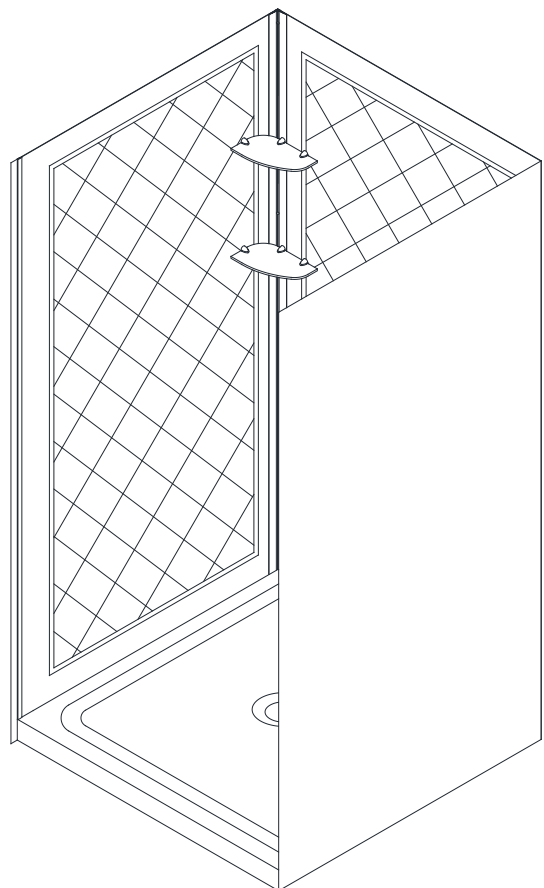


Fig. 30

## Product maintenance

To ensure long lasting life for your acrylic back walls, wipe them off after each use with a soft cloth. To clean the acrylic back walls use non-abrasive sprays or cream based cleaners. Never use abrasive cleansers, metal brushes or scrapers that could scratch or dull the surface.

### Acrylic cleaning procedure:

Acrylic should be cleaned with warm water and a clean, non-abrasive cloth. If desired, a mild, non-abrasive detergent may also be used. Use only light pressure when cleaning. Avoid rubbing dirt or grit into the surface. Turn the cloth often and replace with a clean cloth frequently. Dry by blotting gently with a clean, dry cloth.

### DO NOT USE:

Window cleaning sprays, alcohol, kitchen abrasive compounds, or solvents (such as acetone, gasoline, or thinners). Do not use ammonia based cleaning solutions on the acrylic as it will damage the surface.

### How do you get scratches out of Acrylic?

For light scratches, use a buffing compound such as a car wax. Use a buffer or lightly polish the surface by hand until scratches disappear.

## TABLE OF CONTENTS

|  |                |
|--|----------------|
| Required Tools for Installation .....                                  | Page: 2        |
| Detailed Diagram with Packing List .....                               | Page: 3        |
| Preparation for installation of <b>Back Panel (09)</b> .....           | Pages: 4 – 7   |
| Preparation for installation of <b>Side Panel (01)</b> .....           | Pages: 7 – 12  |
| <b>Back Panel</b> and <b>Side Panel</b> Installation Instruction ..... | Pages: 12 – 16 |
| <b>Glass Shelf (05)</b> Installation Instruction .....                 | Pages: 17 – 18 |





---

TEL: [866-731-2244](tel:866-731-2244)

FAX: [866-857-3638](tel:866-857-3638)

[WWW.BATHAUTHORITY.COM](http://WWW.BATHAUTHORITY.COM)

For more information on [DreamLine™ Shower Back Wall](http://www.BathAuthority.com) please visit [www.BathAuthority.com](http://www.BathAuthority.com)