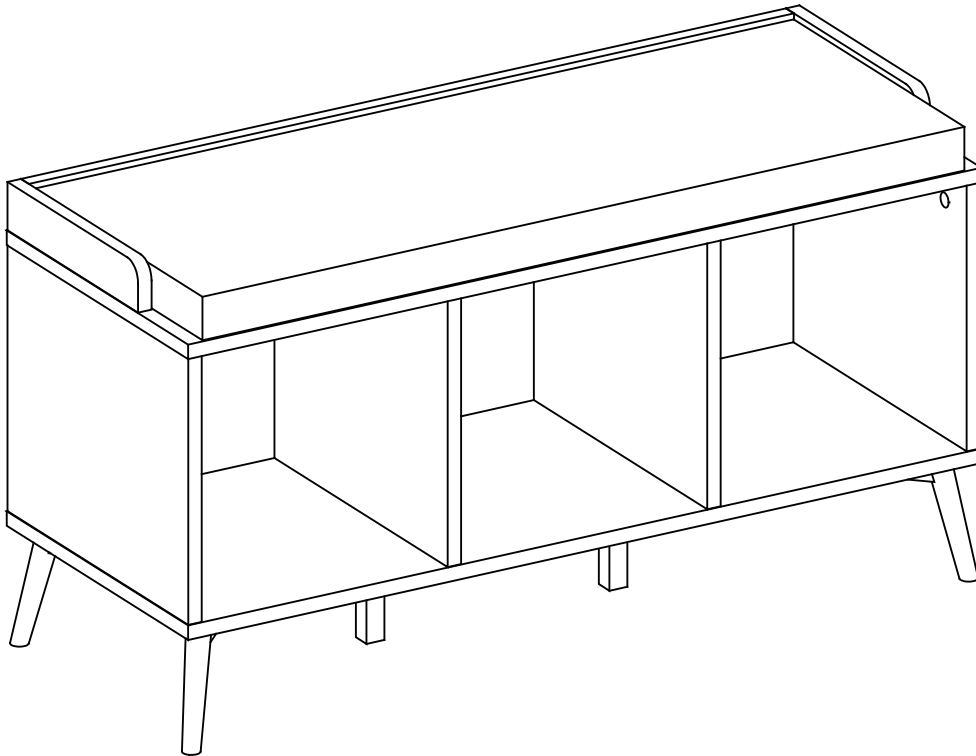




ASSEMBLY INSTRUCTIONS



RiverRidge® Woodbury Storage Bench with Cubbies

ITEM #:16-026

ADULT ASSEMBLY REQUIRED

This product requires assembly by an adult because of small parts. Care should be taken in unpacking and assembling this item to keep small parts away from children. During assembly children should be kept away from the product due to possible risk of injury.

WARNING SEE FULL WARNING ON PAGE 2

Young children can be seriously injured or killed if furniture tips over.
Don't use this item for a TV stand or place heavy objects on top of item.
Always use angle-braces or anchors to secure furniture to the wall.

THIS BENCH UNIT WILL HOLD UP TO 20 POUNDS PER CUBBY OR A TOTAL OF 60 POUNDS. DO NOT LOAD EACH CUBBY WITH MORE THAN 20 POUNDS. IF LOADED WITH MORE THAN 20 POUNDS PER CUBBY, THIS MAY CAUSE DAMAGE, SERIOUS INJURY OR DEATH. BENCH SEATING WEIGHT CAPACITY IS 200 POUNDS.

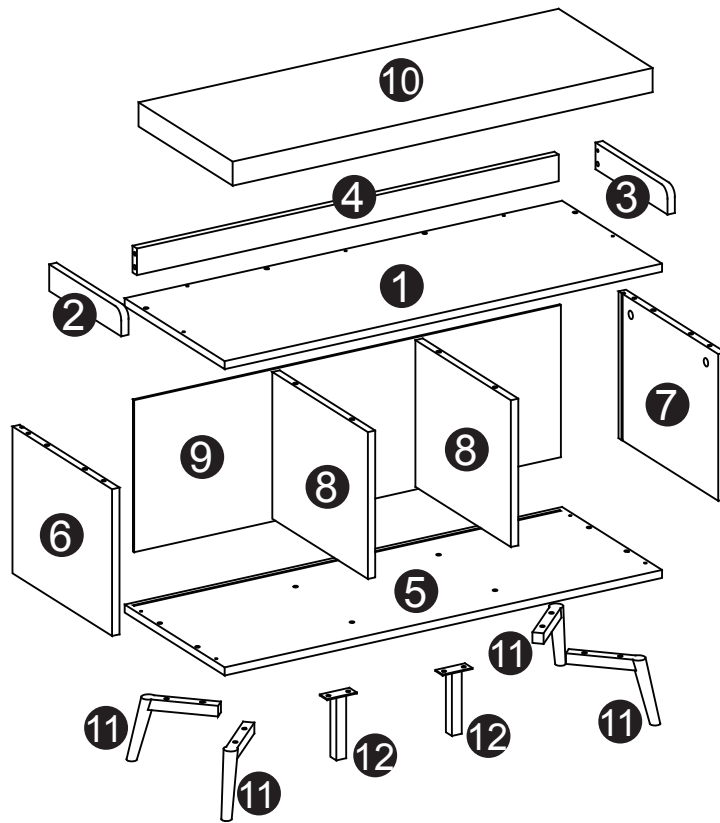


WARNING

SERIOUS OR FATAL INJURIES CAN OCCUR FROM FURNITURE TIP-OVER. TO HELP PREVENT TIP-OVER:

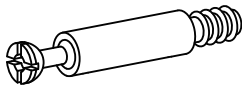

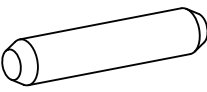

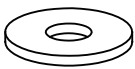


- **Always use tip over restraints and/or wall anchors to secure furniture to the wall**
- **Place heaviest items in the lowest drawers/bins or shelves**
- **Do not set TV's or other heavy objects on the top of this product**
- **Never allow children to climb or hang on to the drawers/bins, doors or shelves of furniture**
- **Never open more than one drawer at a time or defeat or remove any drawer interlock system**

PARTS LIST



NO	QTY	DESCRIPTION
1	1PC	Top Board
2	1PC	Left Rail Board
3	1PC	Right Rail Board
4	1PC	Rear Rail Board
5	1PC	Bottom Board
6	1PC	Left Side Panel
7	1PC	Right Side Panel
8	2PCS	Divider Board
9	1PC	Back Board
10	1PC	Cushion
11	4PCS	Metal Leg
12	2PCS	Middle Support Leg

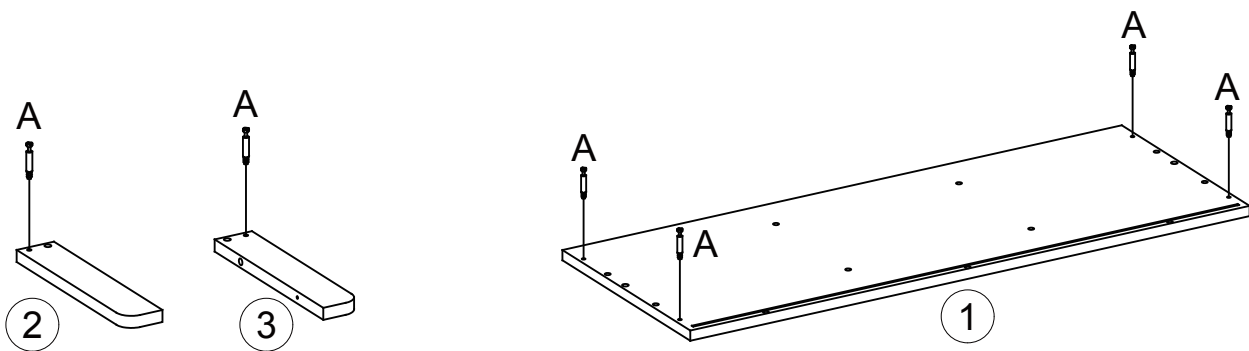
PARTS LIST

NO	PARTS	QTY	DESCRIPTION
A		6PCS	Cam Bolt
B		6PCS	Cam Lock
C		22PCS	Wood Dowel
D		9PCS	Screw (4x35mm)
E		8PCS	Washer
F		8PCS	Machine Screw (6x30mm)
G		4PCS	Machine Screw (6x10mm)

**TOOLS NEEDED FOR ASSEMBLY: FLAT & PHILLIPS SCREWDRIVER (NOT INCLUDED)
THE USE OF A POWER SCREWDRIVER IS NOT RECOMMENDED FOR ASSEMBLY
DO NOT USE ITEM IF ANY PARTS ARE MISSING OR DAMAGED**

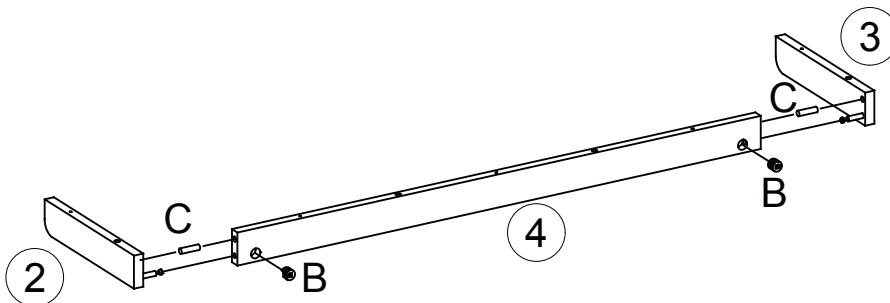
To order replacement parts at no cost to you, email customer.service@ssi-rr.com, call 1-(844)-223-5201 or order parts online at www.riverridgehome.com. Only valid in the United States. If purchased outside of the United States, please contact retailer where purchased.

STEP 1



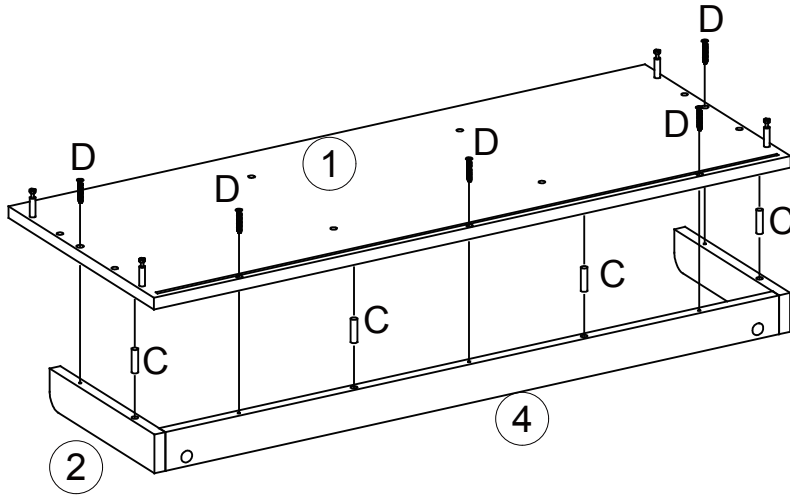
1. Screw 2 cam bolts (A) into cam bolt holes on left rail board (2) and right rail board (3).
2. Screw 4 cam bolts (A) into cam bolt holes on top board (1).

STEP 2



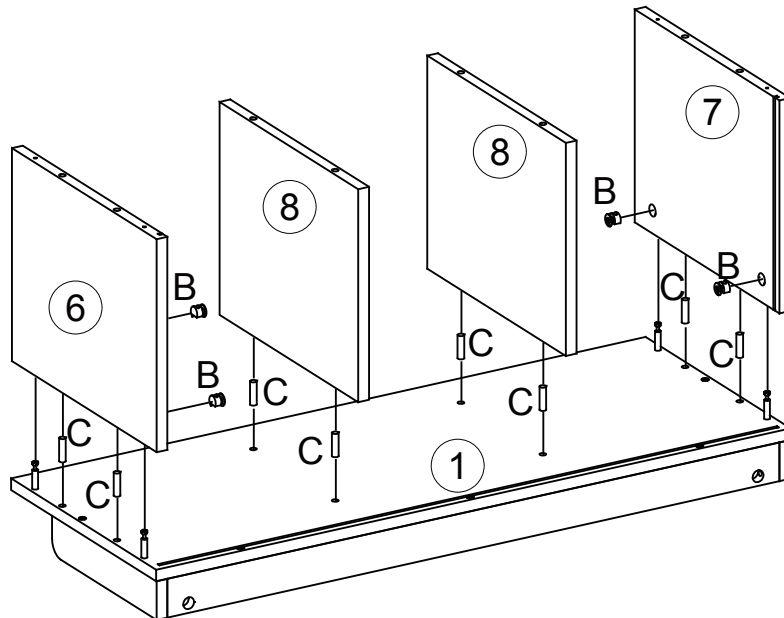
1. Insert 1 wood dowel (C) into wood dowel hole on left rail board (2).
2. Attach left rail board (2) to rear rail board (4) by inserting wood dowel (C) into wood dowel hole and cam bolt (A) into cam lock hole on rear rail board (4).
3. Insert 1 cam lock (B) into cam lock hole on rear rail board (4), then rotate clockwise to secure cam bolt (A) in place.
4. Repeat above steps to assemble right rail board (3) to rear rail board (4).

STEP 3



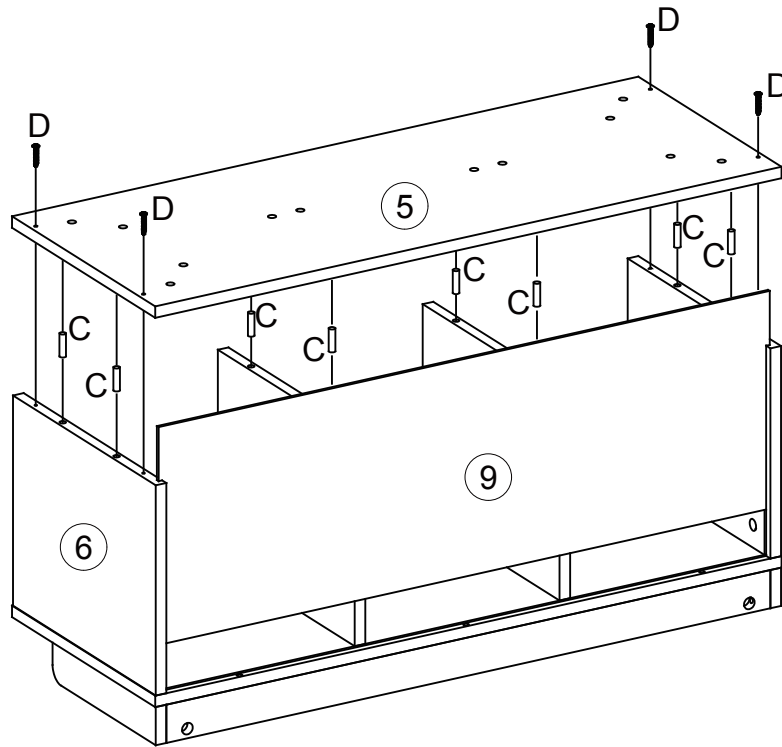
1. Insert 4 wood dowels (C) into wood dowel holes on left rail board (2), right rail board (3) and rear rail board (4).
2. Attach top board (1) to left rail board (2), right rail board (3) and rear rail board (4) by inserting wood dowels (C) into wood dowel holes on top board (1).
3. Insert 5 screws (D) through holes on top board (1) then tighten to left rail board (2), right rail board (3) and rear rail board (4).

STEP 4



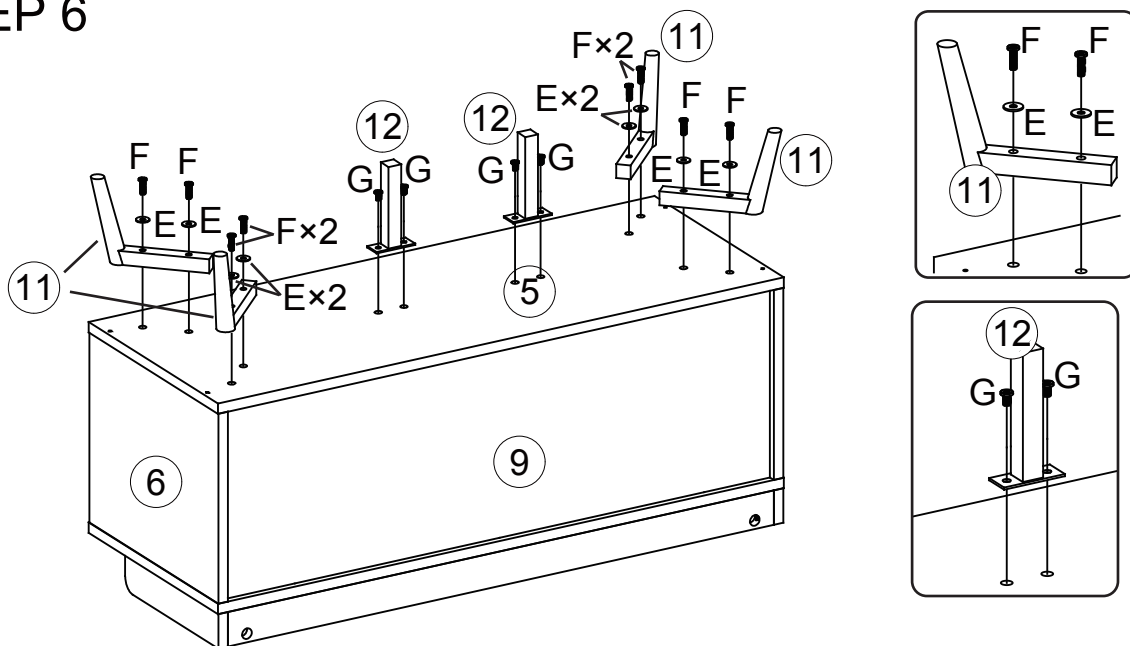
1. Insert 8 wood dowels (C) into wood dowel holes on top board (1).
2. Attach left side panel (6) and right side panel (7) to top board (1) by inserting wood dowels (C) into wood dowel holes and inserting cam bolts (A) into cam lock holes on left side panel (6) and right side panel (7).
3. Insert 4 cam lock (B) into cam lock holes on left side panel (6) and right side panel (7), then rotate clockwise to secure cam bolts (A) in place.
4. Attach 2 divider boards (8) to top board (1) by inserting wood dowels (C) into wood dowel holes on 2 divider boards (8).

STEP 5



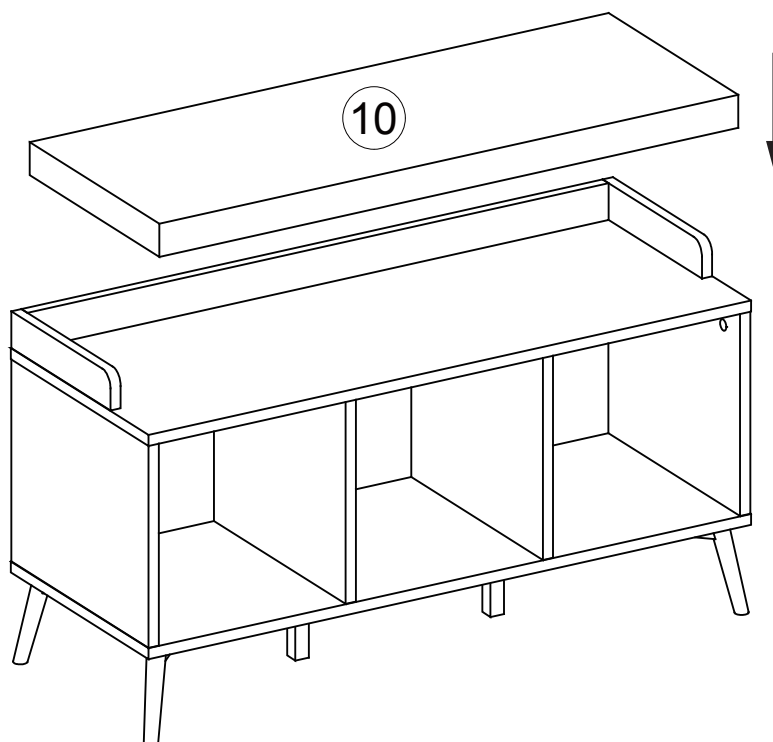
1. Slide back board (9) into grooves on left side panel (6), right side panel (7) and top board (1).
2. Insert 8 wood dowels (C) into wood dowel holes on left side panel (6), right side panel (7) and 2 divider boards (8).
3. Attach bottom board (5) to left side panel (6), right side panel (7), back board (9) and 2 divider boards (8) by inserting wood dowels (C) into wood dowel holes on bottom board (5), make sure back board (9) aligns with groove on bottom board (5).
4. Insert 4 screws (D) through the holes on bottom board (5) then tighten to left side panel (6) and right side panel (7).

STEP 6



1. Attach 4 metal legs (11) to bottom board (5) by inserting 8 machine screws (F) through holes on 8 washers (E), then through holes on metal legs (11), then tighten to bottom board (5).
2. Attach 2 middle support legs (12) to bottom board (5) by inserting 4 machine screws (G) through holes on middle support legs (12) then tighten to bottom board (5).

STEP 7



1. Place cushion (10) on cabinet.

ATTENTION ADULTS: Cabinet should be checked periodically for damage or loose screws/parts. Take appropriate action necessary to correct hazards such as tightening of screws and taking any damaged parts away from children.

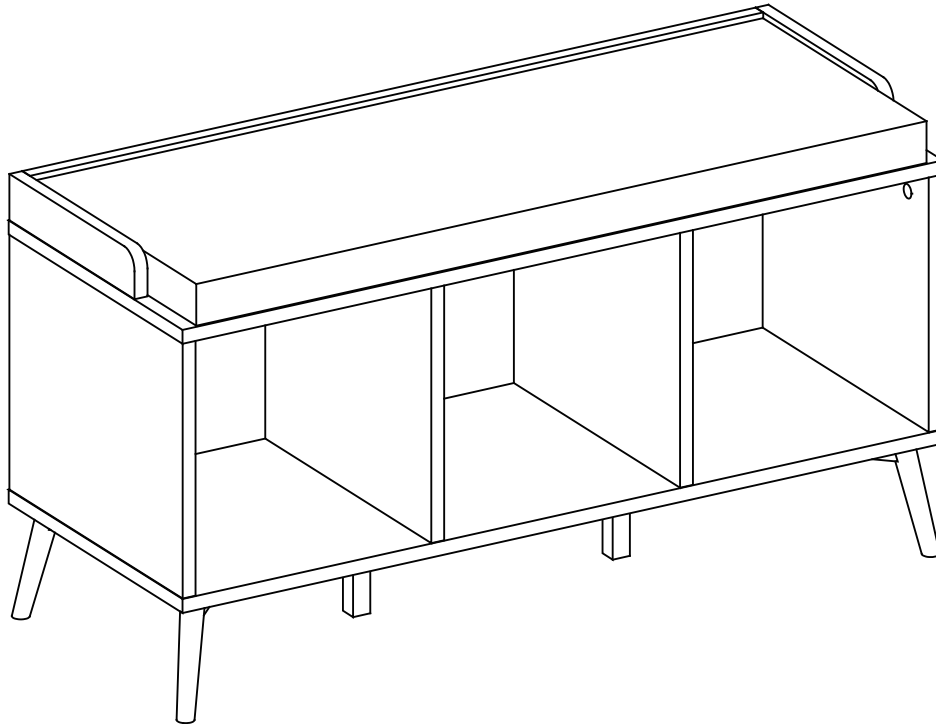
WARNING  **Please make sure your item is secured to the wall, per assembly instructions.**

CARE INSTRUCTIONS:

Wipe clean with a water dampened cloth. Wipe dry with clean cloth.

IMPORTANT:
Keep assembly instructions for future reference.

Enjoy Your New RiverRidge® Bench!



Thank you for purchasing this RiverRidge® Home item. We hope you enjoy it and consider purchasing other RiverRidge® items.

To order replacement parts at no cost to you, email customer.service@ssi-rr.com, call 1-(844)-223-5201 or order parts online at www.riverridgehome.com. Only valid in the United States. If purchased outside of the United States, please contact retailer where purchased.



RiverRidge® is a registered trademark of Sourcing Solutions, Inc., Hudson, WI 54016