

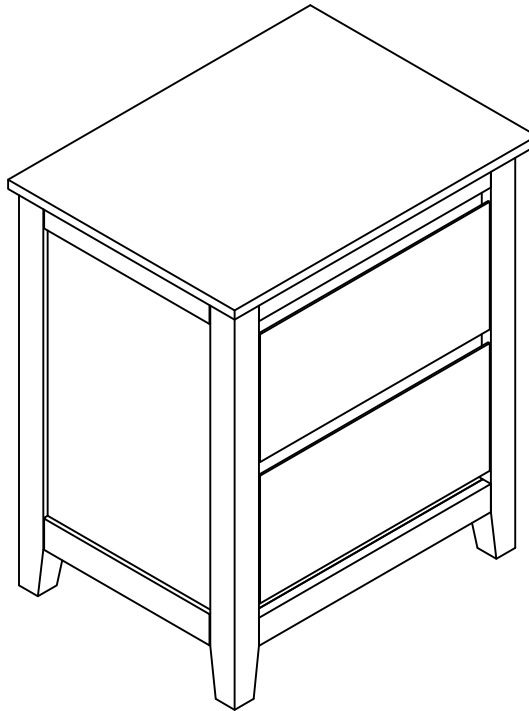
StyleWell™

Model #BF-25649-NA
BF-25649-CH
BF-25649-WH
BF-25649-SB

Item #1004019354
1004019183
1004019341
1004019324

USE AND CARE GUIDE

**THD PRODUCT NAME: Nightstand with 2 drawers
and no hardware**



**Questions, problems, missing parts? Before returning
to the store, Call Customer Service
8 a.m. - 7p.m., EST, Monday - Friday, 9 a.m. - 6 p.m.,
EST, Saturday**

**1-877-527-0313
HOMEDEPOT.COM**

THANK YOU

We appreciate the trust and confidence you have placed in Stylewell through the purchase of this nightstand. We strive to continually create quality products designed to enhance your home. Visit us online to see our full line of products available for your home improvement needs. Thank you for choosing Stylewell!

Table of Contents

Table of Contents.....	2	Assembly.....	5
Safety Information.....	2	Maintenance.....	9
Warranty.....	2	Care and Cleaning.....	9
What is Covered.....	2		
What is Not Covered.....	2		
Pre-Assembly.....	3		
Planning Assembly.....	3		
Tools Required.....	3		
Hardware included.....	3		
Package contents.....	4		

Safety Information

Read and understand these instructions before attempting to install or use this product.



CAUTION: Use caution when lifting heavy objects. Lifting heavy objects improperly could cause serious injury.



NOTE: Handle with care. Do not drop or handle roughly, as this could damage the linen cabinet.

Warranty

1 YEAR WARRANTY

WHAT IS COVERED

We guarantee this product to be free of manufacturing defects to the original purchaser for one year.

WHAT IS NOT COVERED

This warranty does not cover commercial use, acts of nature, and abusive use.

Pre-Assembly

PLANNING ASSEMBLY

Check the product for damage before installation. If any part of the product is missing or damaged, contact the Customer Service Team at 1-877-527-0313.

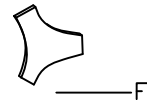
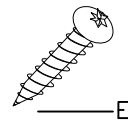
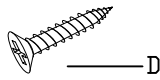
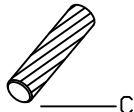
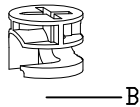
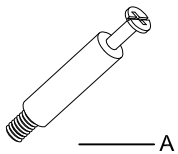
TOOLS REQUIRED



HARDWARE INCLUDED



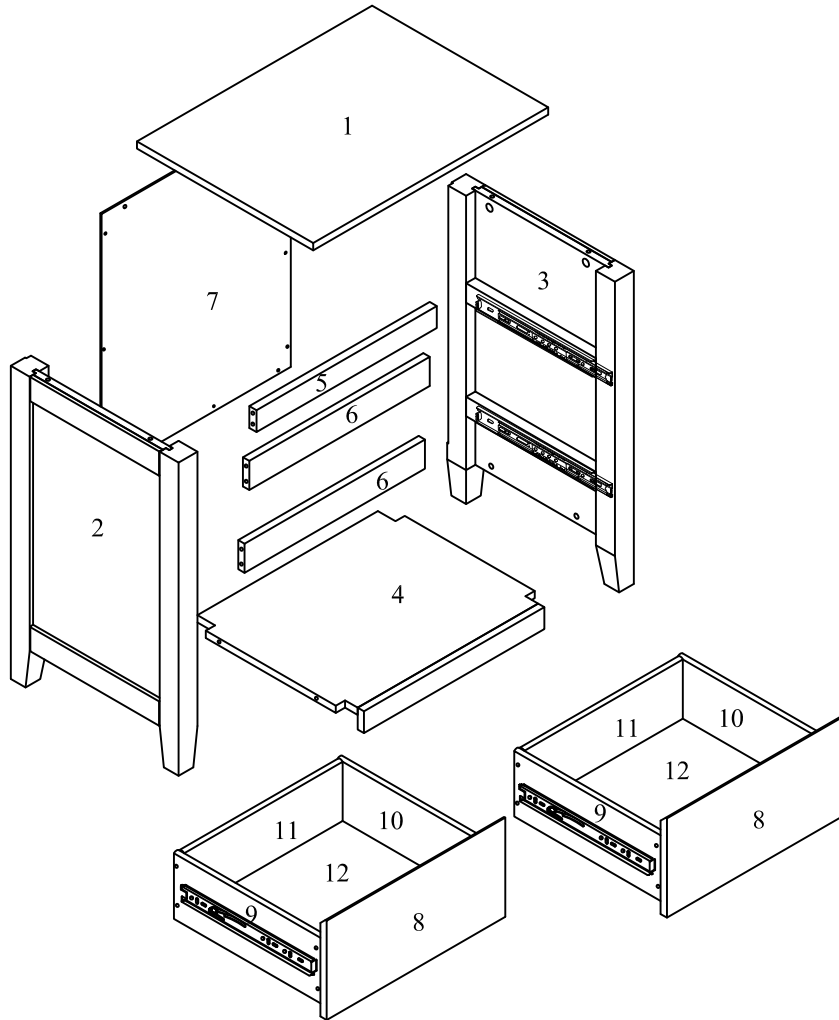
NOTE: Hardware not shown to actual size.



PART	DESCRIPTION	QUANTITY
A	CAM-BOLT	14
B	CAM-LOCK	14
C	DOWEL	8
D	SCREW	16
E	SCREW	14
F	CAM-TOOL	1

Pre-Assembly

PACKAGE CONTENTS

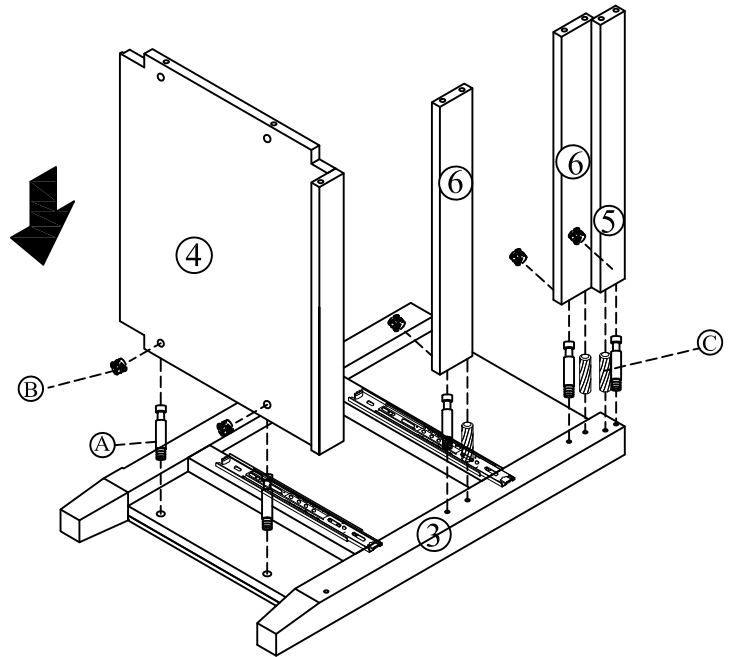


Part	DESCRIPTION	Quantity
1	TOP PANEL	1
2	LEFT SIDE PANEL	1
3	RIGHT SIDE PANEL	1
4	BOTTOM PANEL	1
5	ACROSS PANEL	1
6	ACROSS PANEL	2
7	BACK PANEL	1
8	DRAWER FRONT PANEL	2
9	DRAWER LEFT SIDE PANEL	2
10	DRAWER RIGHT SIDE PANEL	2
11	DRAWER BACK PANEL	2
12	DRAWER BOTTOM PANEL	2

Assembly

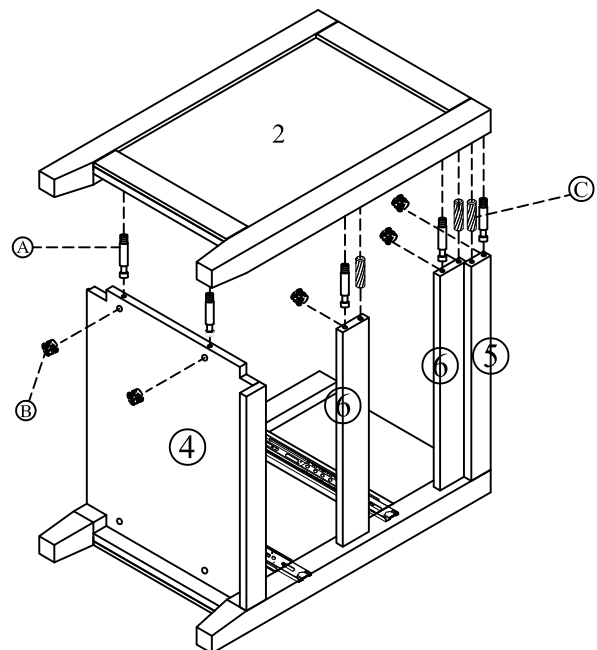
1 Assemble right side panel.

- Rotate 5 cam-bolts(A) and 3 dowels (C) into the holes in the right side panel(3).
- Place 5 cam-bolts(A) into the holes in the panel(4/5/6) and attach using 5 cam-locks(B).



2 Assemble left side panel.

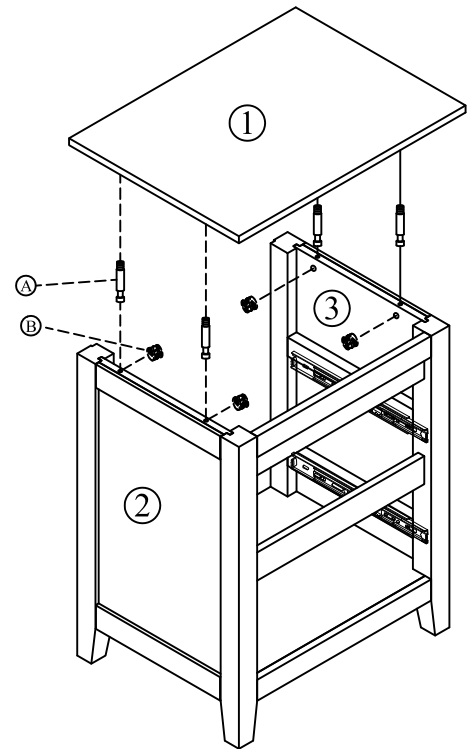
- Rotate 5 cam-bolts(A) and 3 dowels (C) into the holes in the left side panel(3).
- Place 5 cam-bolts(A) into the holes in the panel(4/5/6) and attach using 5 cam-locks(B).



Assembly

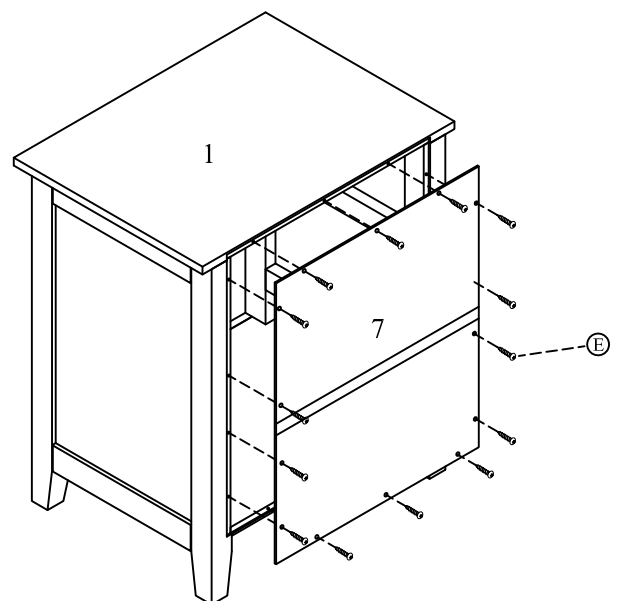
3 Assemble top panel.

- Rotate 4 cam-bolts(A) into the holes in the top panel(1).
- Place 4 cam-bolts(A) into the holes in the panel(2/3) and attach using 4 cam-locks(B).



4 Assemble back panel.

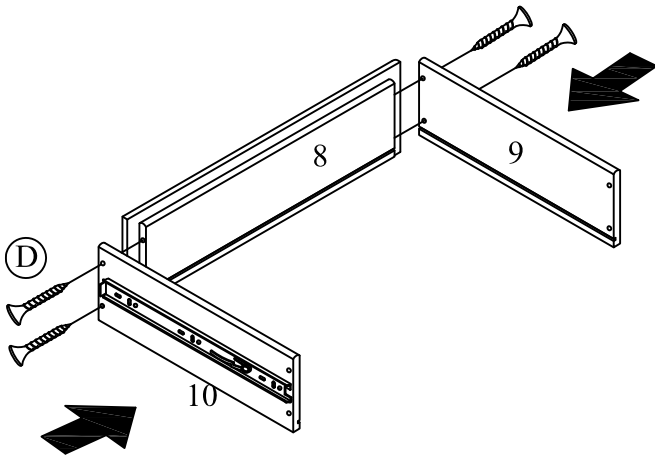
- Attach back panel(7) using 14 screws(E).



Assembly

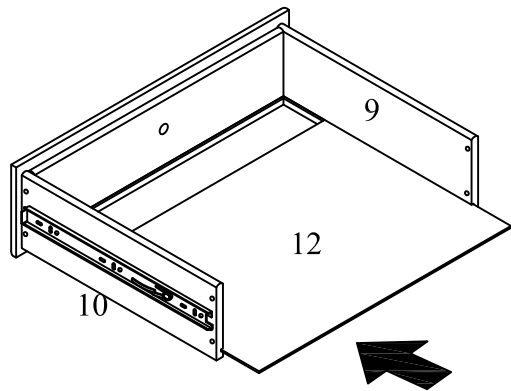
5 Assemble drawer front panel.

- Attach drawer left/right panel(9/10) to drawer front panel(8) using 4 screws(D).



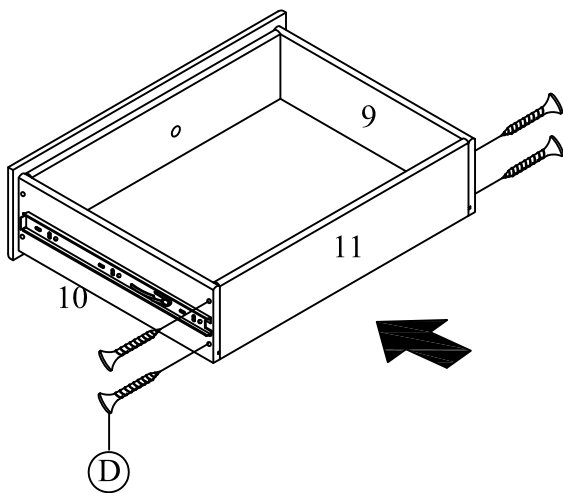
6 Assemble bottom panel.

- Insert drawer bottom panel(12) into the slot in the drawer left/right side panel(9/10).



7 Assemble drawer back panel.

- Attach the drawer back panel(11) to drawer left/right side panel(9/10) using 4 screws(D).

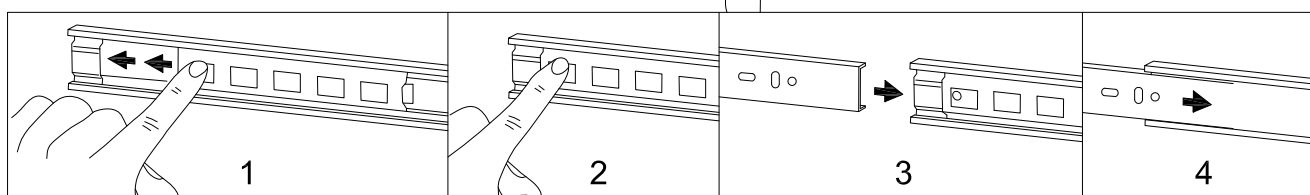
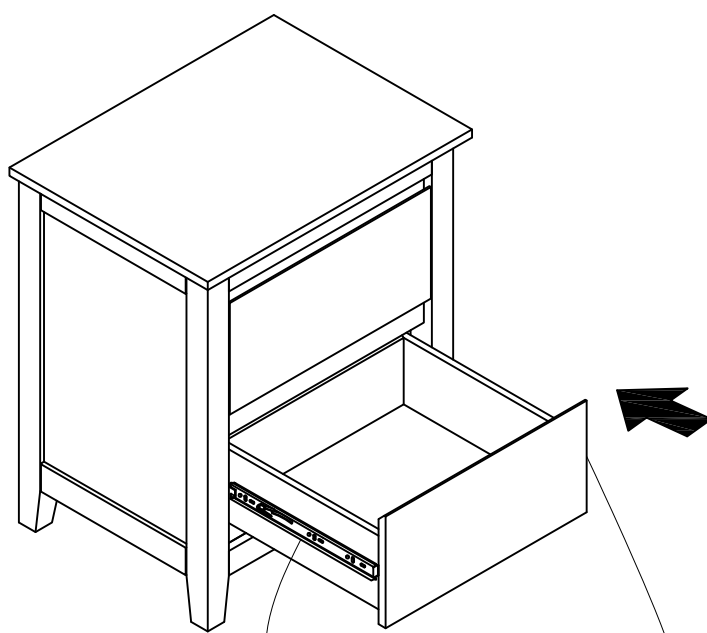


Assembly

8

Assemble drawer.

- Insert the drawers as shown.



Maintenance

- If your furniture is stained or otherwise damaged during use, contact a professional for repairs.

Care and Cleaning

- Use a soft, clean cloth that will not scratch the surface when dusting.
- Use of furniture polishes is not necessary. Should you choose to use polishes, test the polish in an inconspicuous area before using over the entire surface of the product.
- Using solvents of any kind on your furniture may damage the finish.
- Never use water to clean your furniture as it may cause damage to the finish.
- Always use coasters under beverage glasses and flowerpots.
- Liquid spills should be removed immediately. Using a soft, clean cloth, blot the spill gently. Avoid rubbing.
- Always use protective pads under hot dishes and plates. Heat can cause chemical changes that may create spotting within the furniture finish.
- Use care as stains or marks from crayons or ink markers will be difficult to remove.
- Be sure to immediately clean red wine or soda stains within 30 minutes or the surface will stain.

StyleWell™

**Questions, problems, missing parts?
Before returning to the store, call Customer Service
8 a.m. - 7 p.m., EST, Monday - Friday, 9 a.m. - 6 p.m., EST, Saturday**

1-877-527-0313

HOMEDEPOT.COM

Retain this manual for future