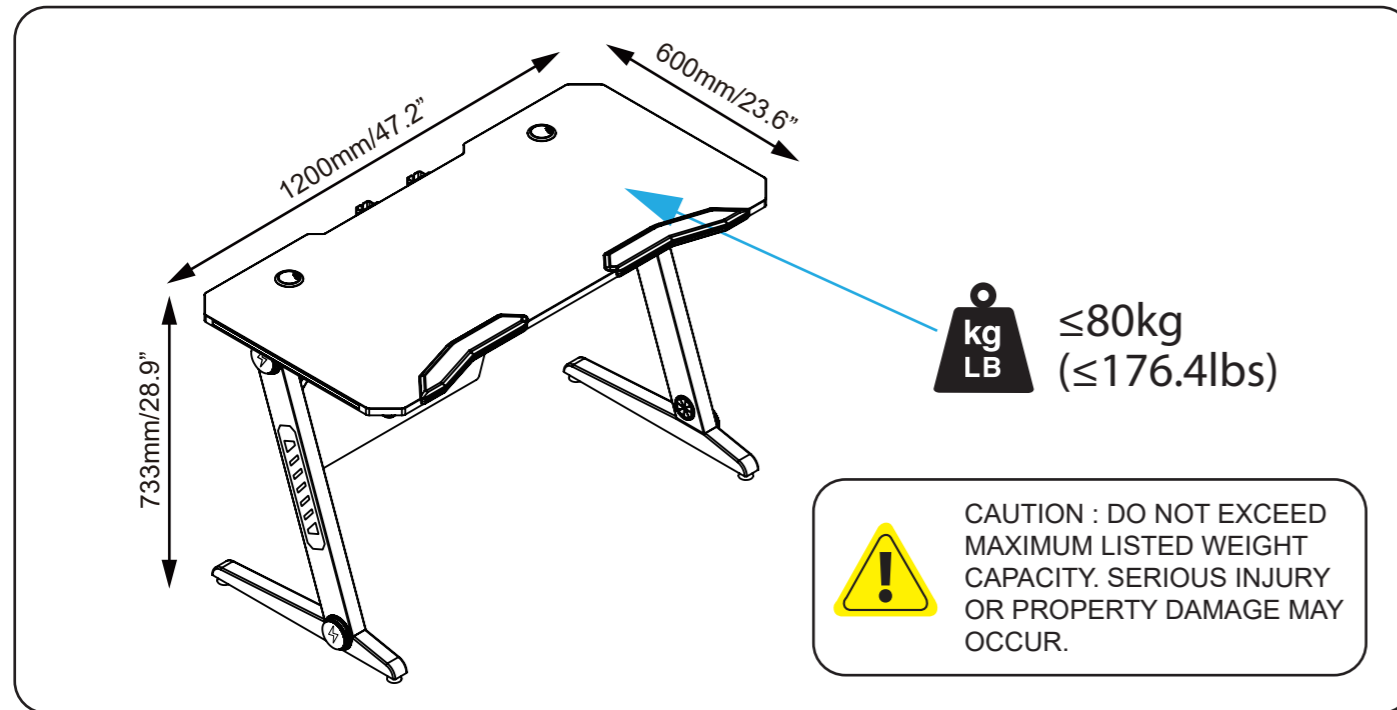
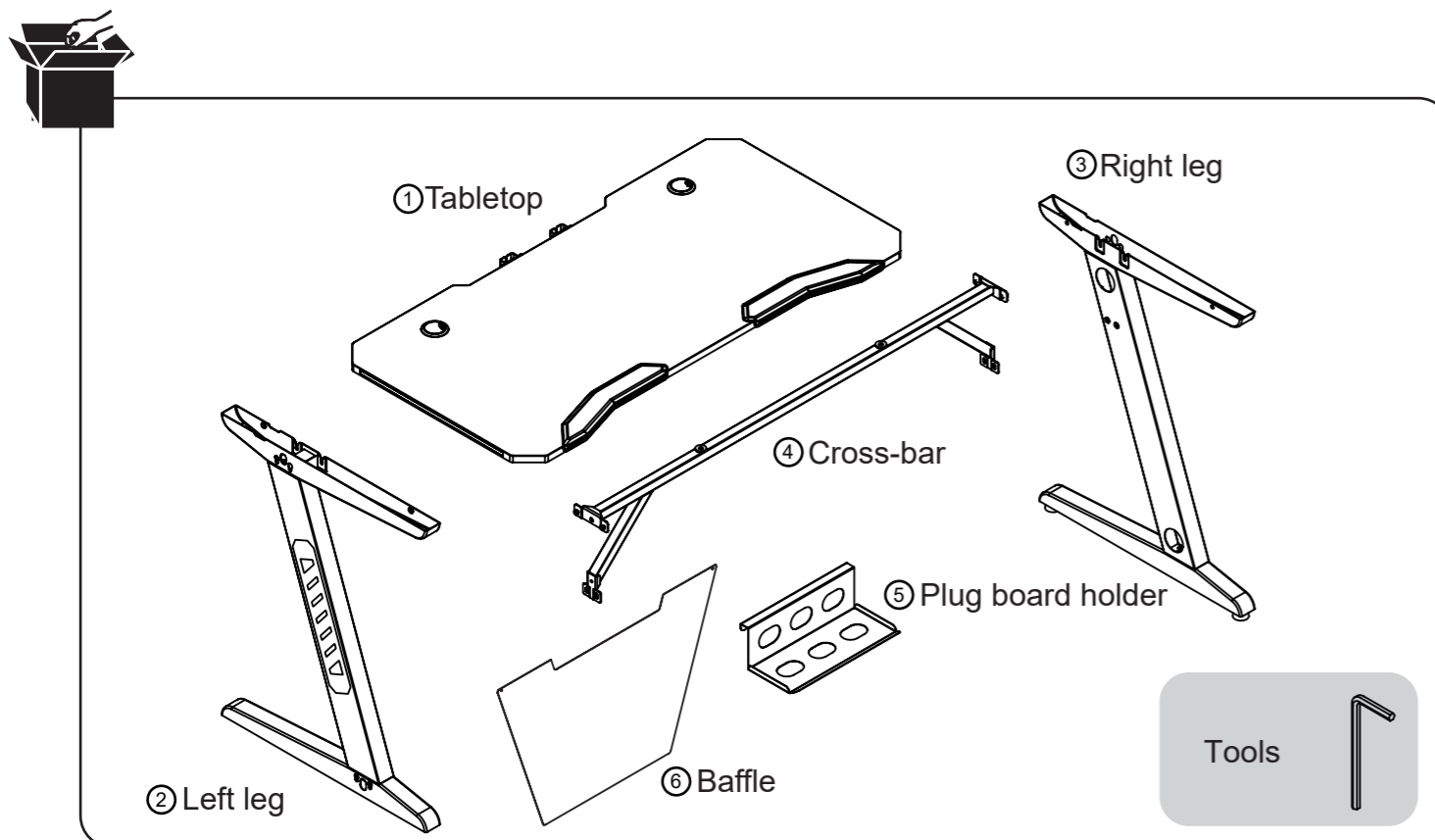


Std GD21 Gaming desk

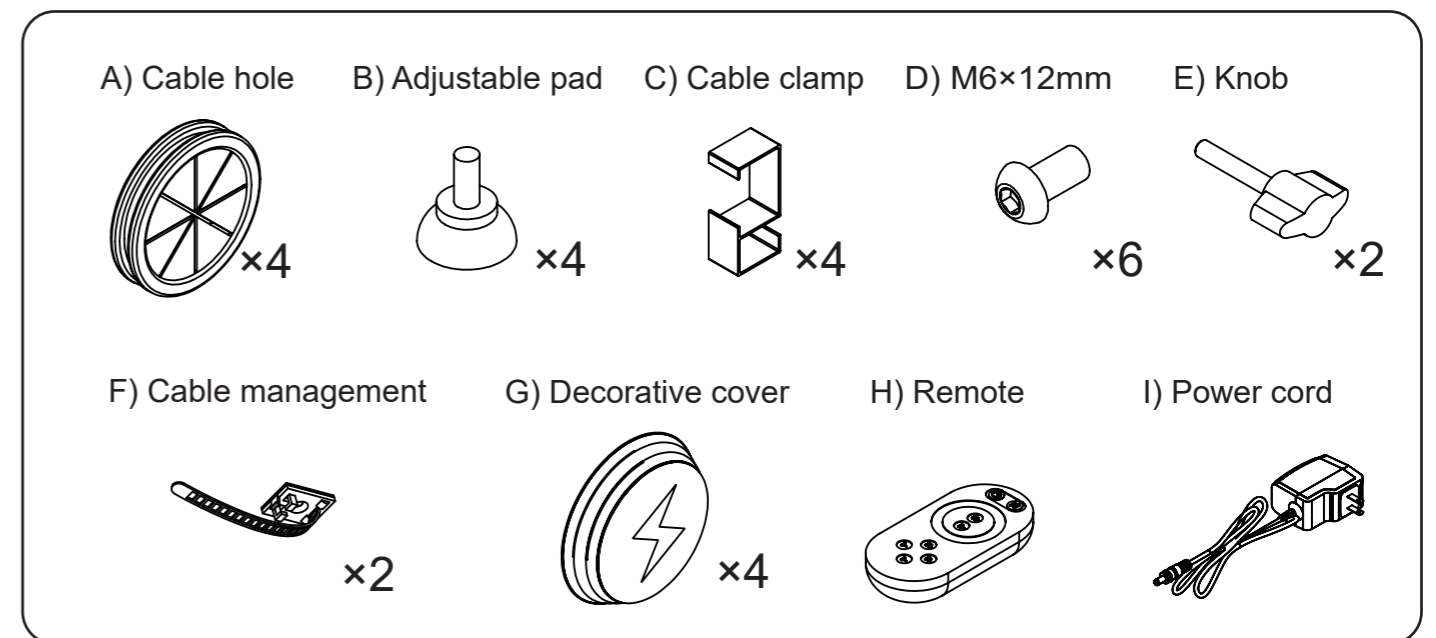
MOUNTING INSTRUCTIONS



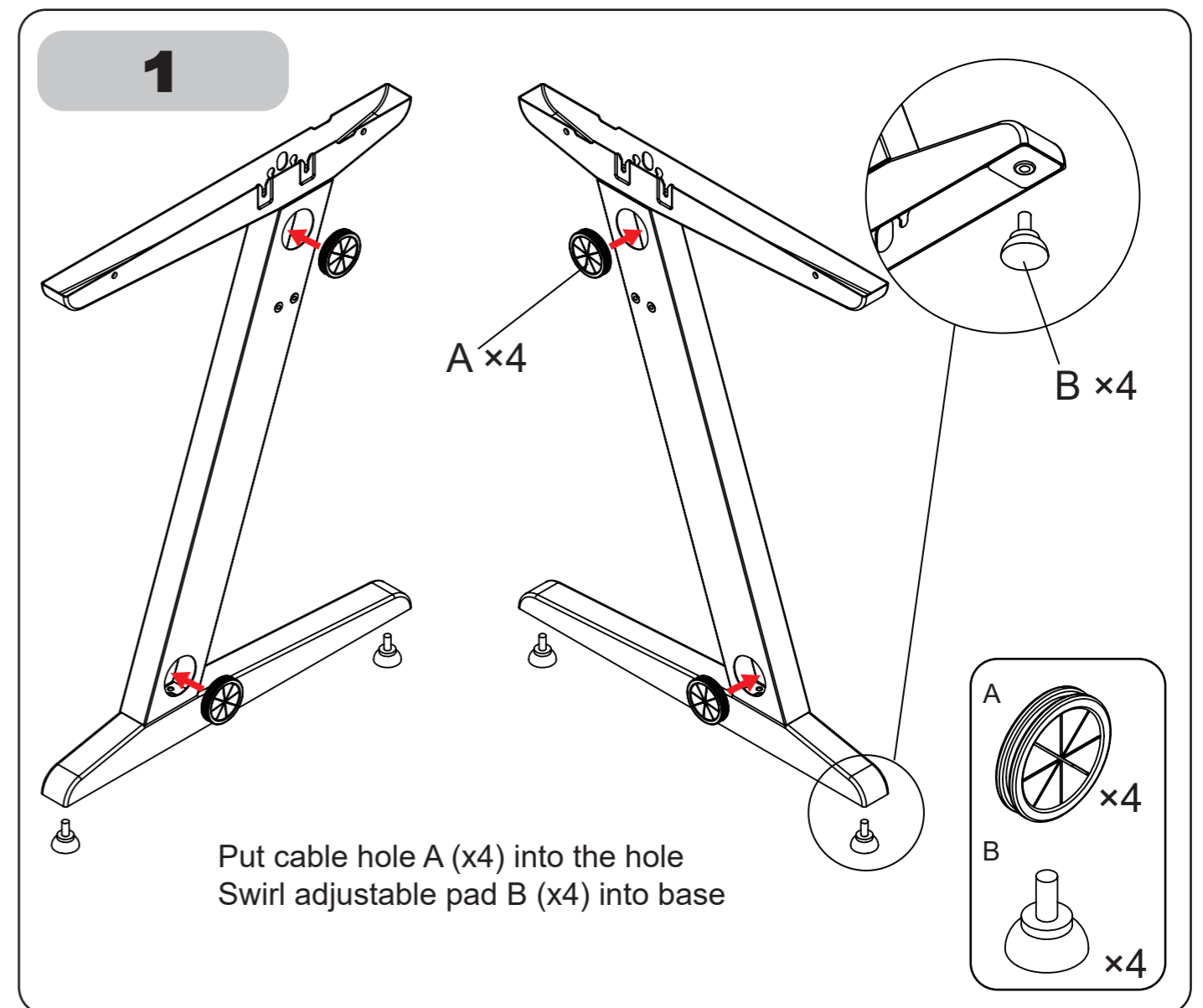
PARTS LIST



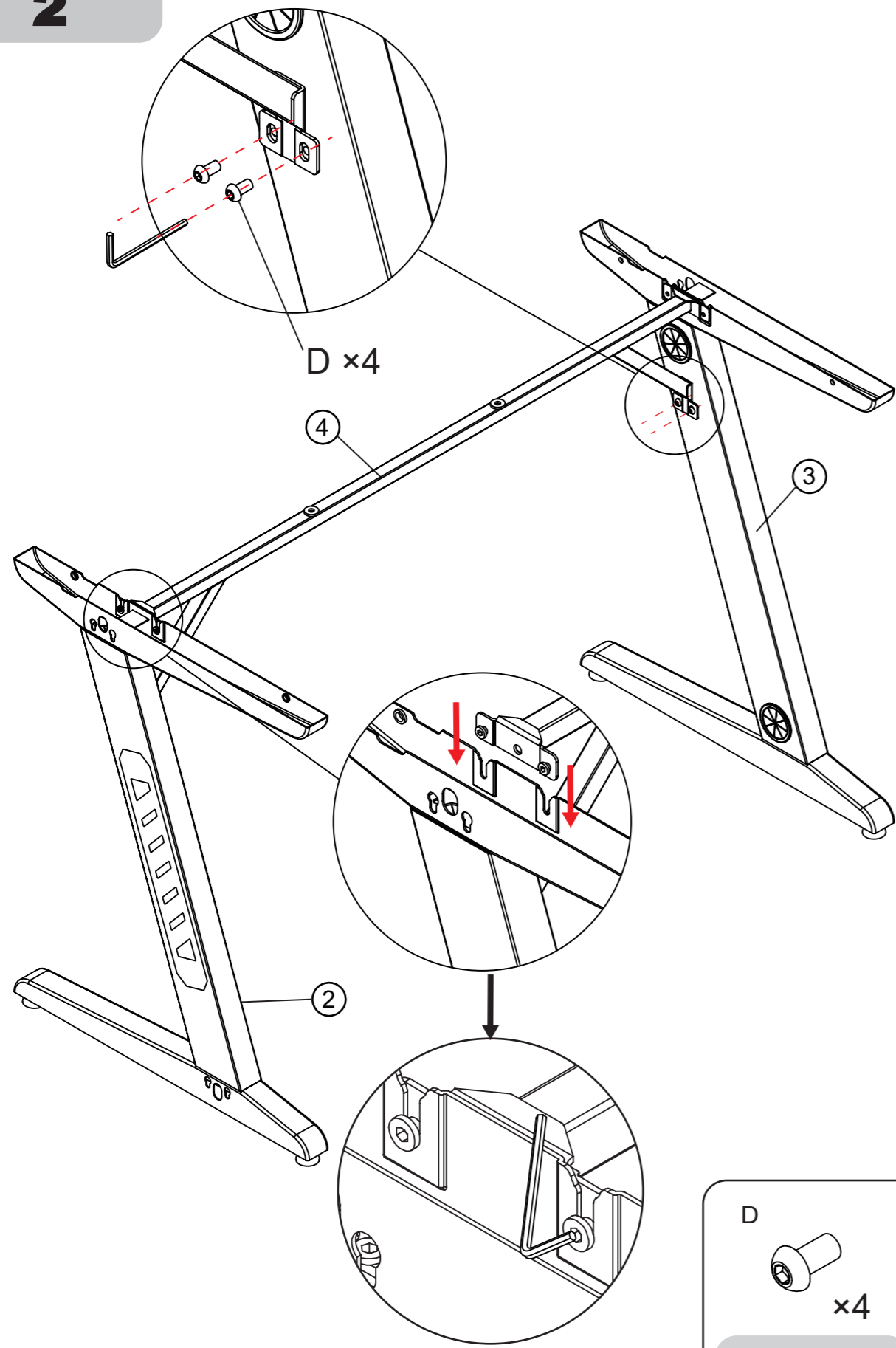
PARTS LIST



INSTALLATION STEPS



2

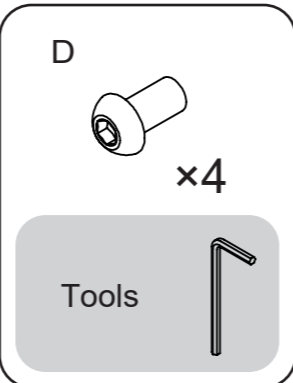


D x4

4

3

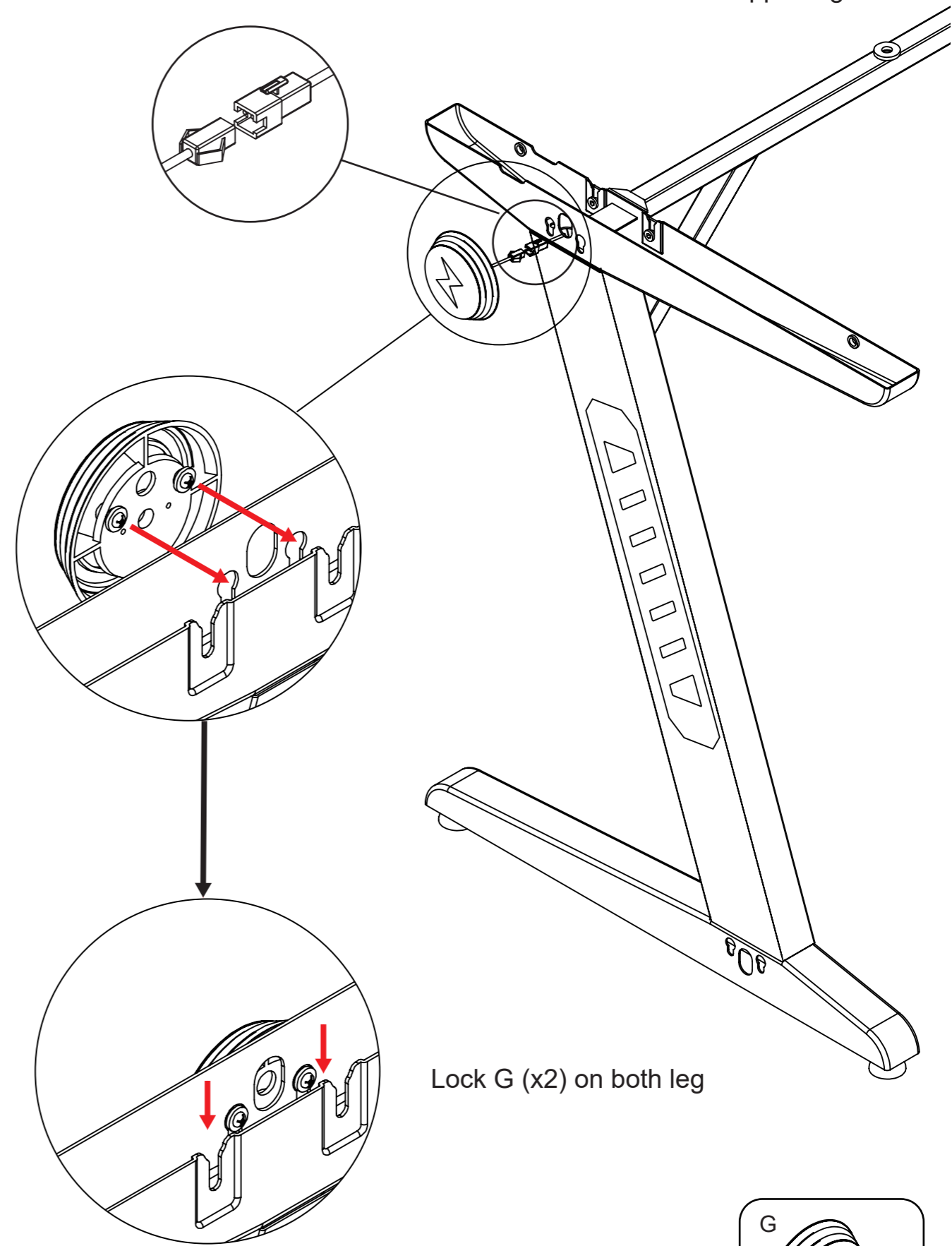
2



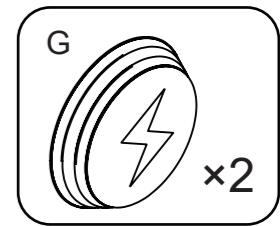
Tighten the screws on the cross-bar with an allen key

3

Connect either wire interfaces on the upper leg

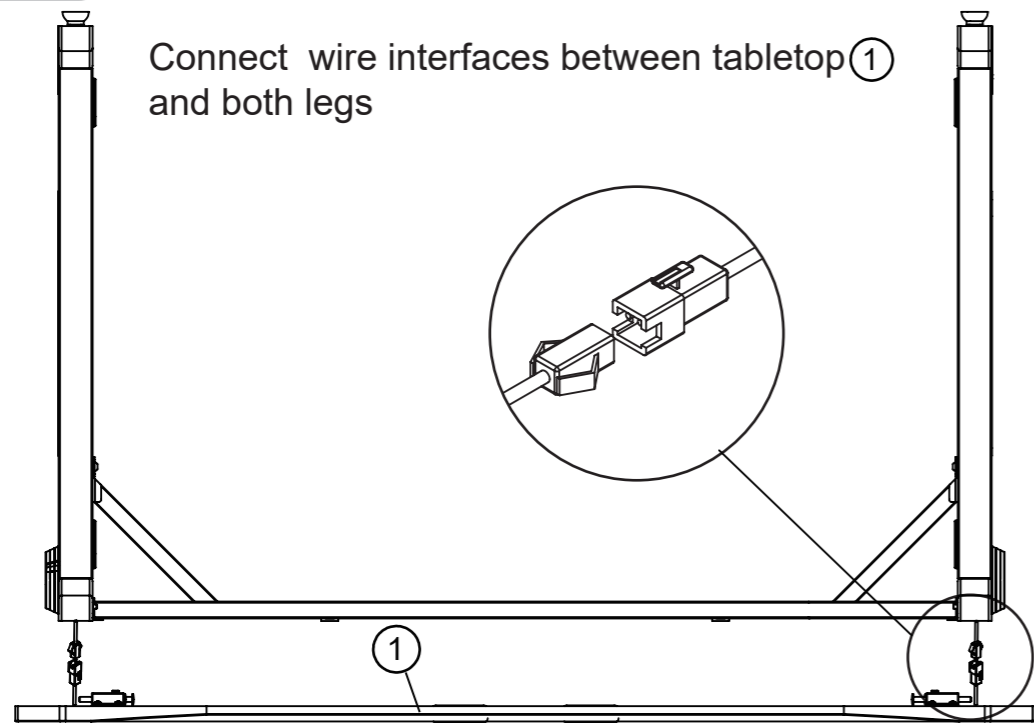


Lock G (x2) on both leg

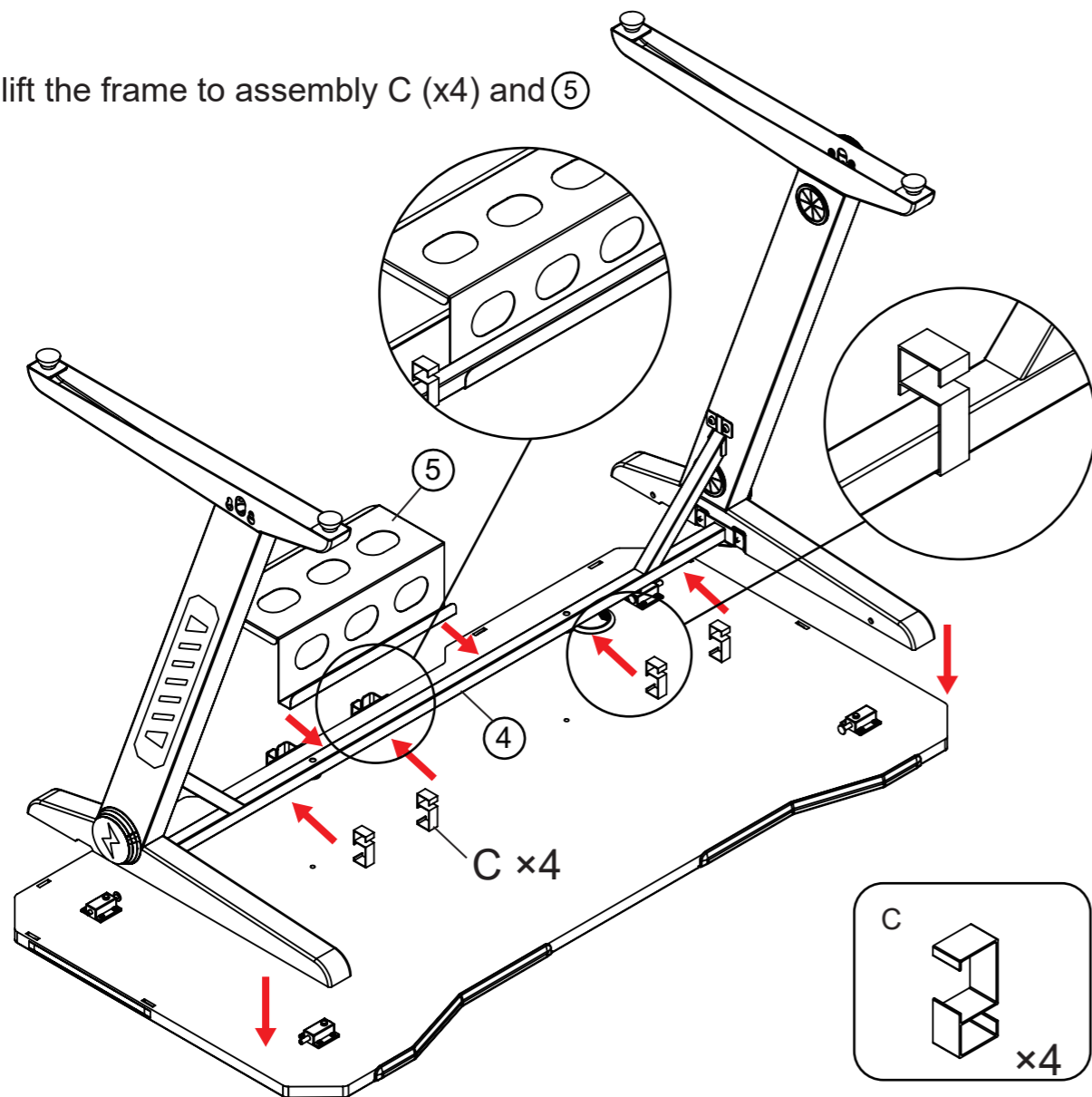


4

Connect wire interfaces between tabletop ① and both legs



Slightly lift the frame to assembly C (x4) and ⑤

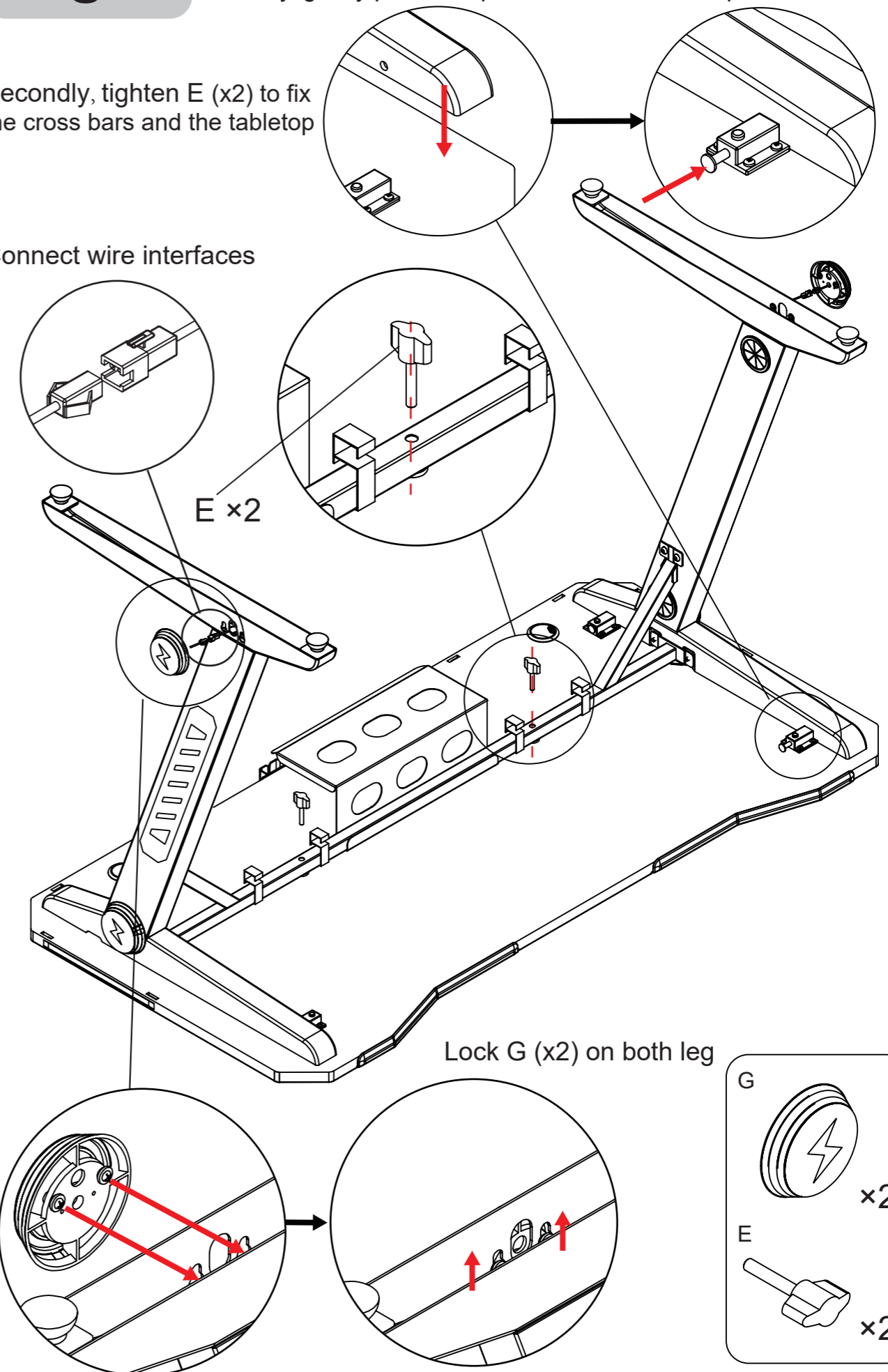


5

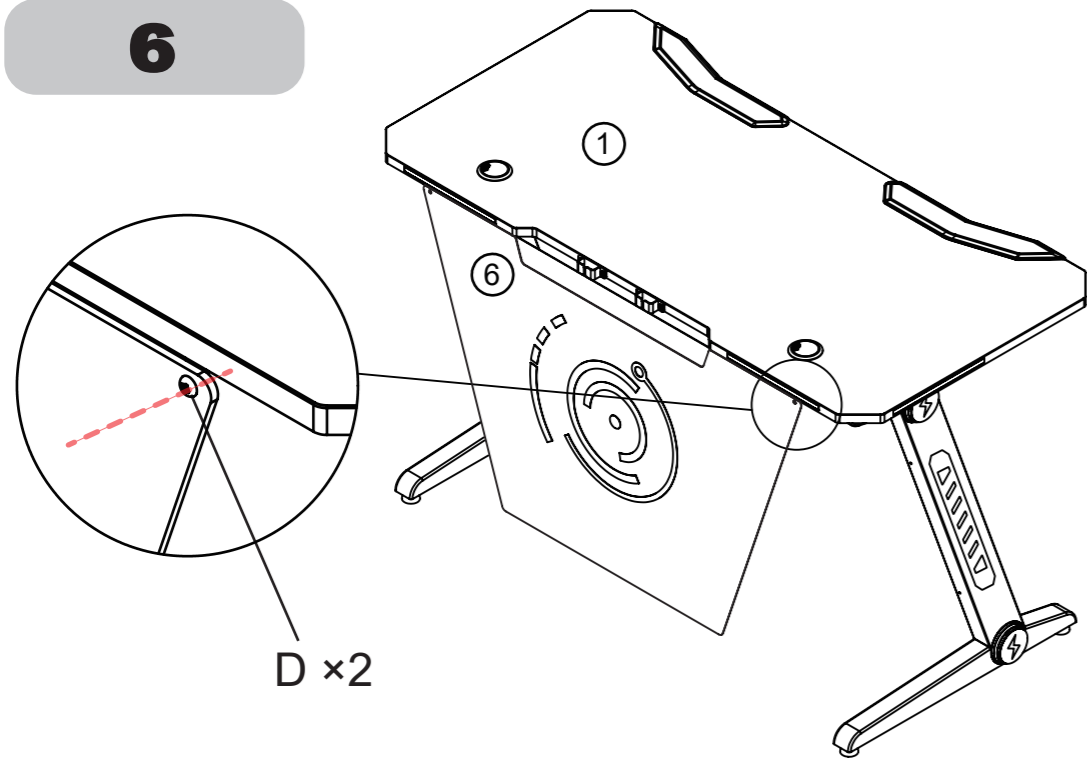
Firstly, gently press the pins to lock, the desktop can be installed

Secondly, tighten E (x2) to fix the cross bars and the tabletop

Connect wire interfaces

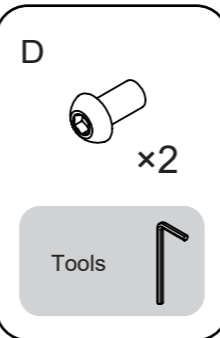


6

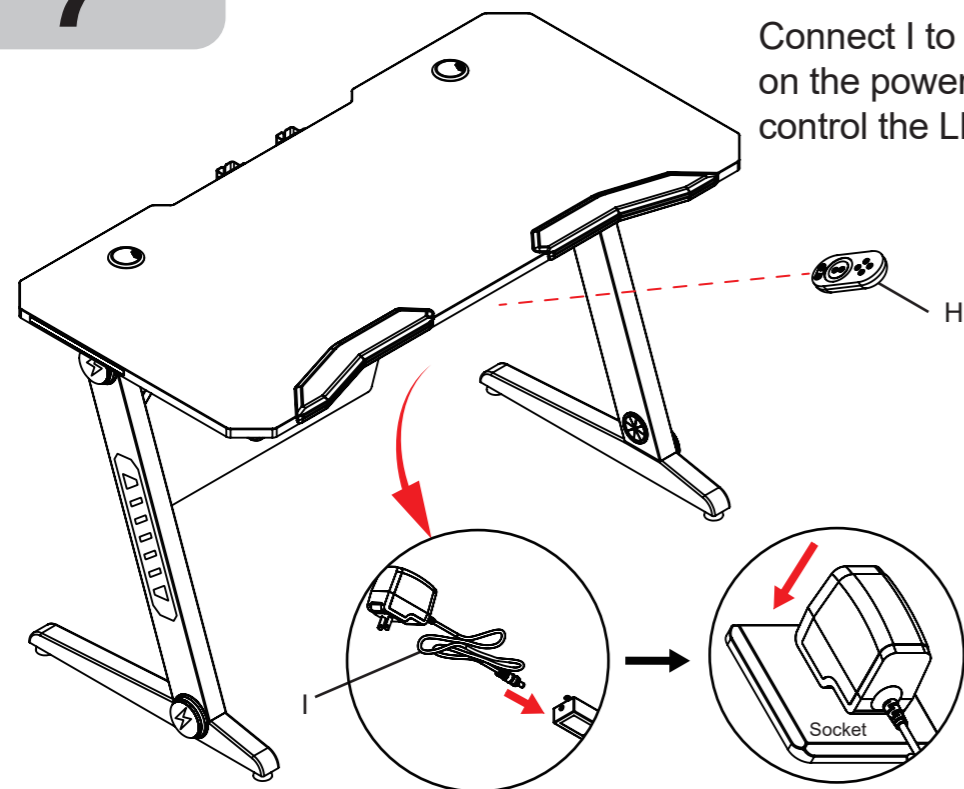


D x2

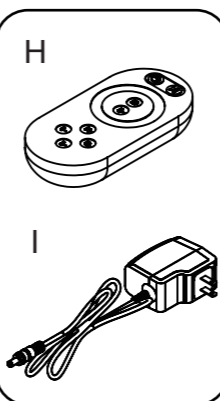
Use D (x2) to connect steel connector with baffle ⑥



7

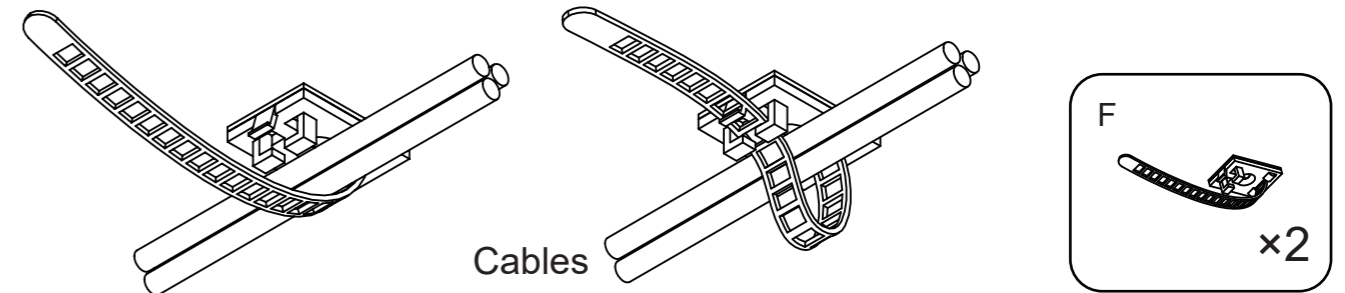


Connect I to the connector, turn on the power, and then use H to control the LED lights

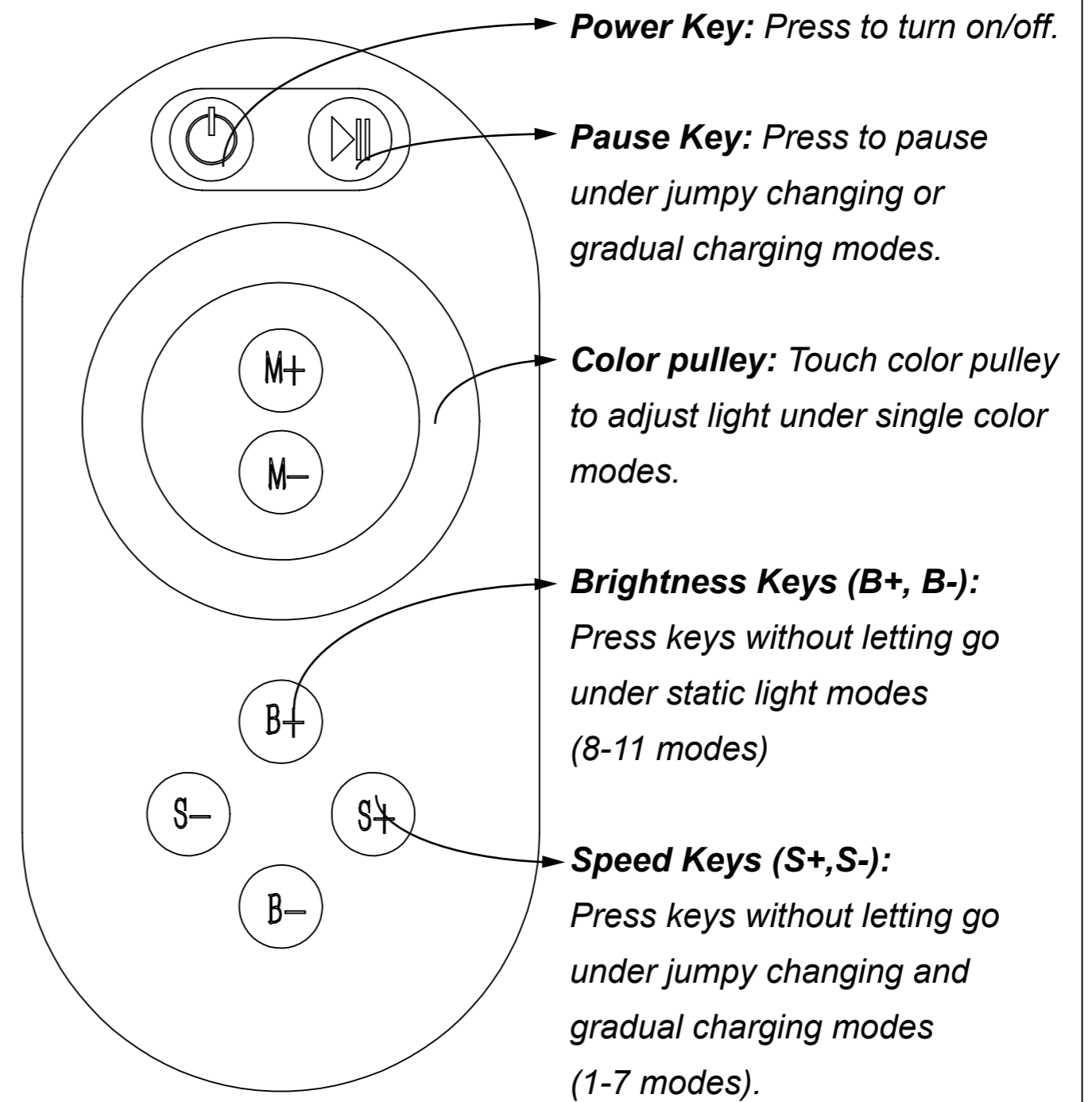


Tips

Uncover the back glue of F and stick it under the desktop, F can be used to arrange cables



INSTRUCTIONS FOR THE USE OF REMOTE

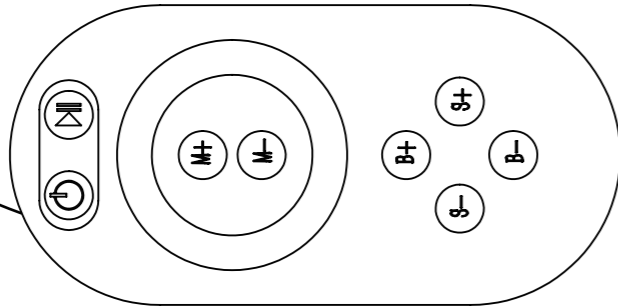


Mode Keys (M+, M-)

Mode Keys: Press the keys to adjust modes. There're totally 11 modes (modes as below table).

M+ : Next mode

M- : Previous mode



Changes of M key on the touch remote as below:

Mode number	Function	Remark
1	Static red	Brightness is adjustable Speed is unadjustable
2	Static green	
3	Static blue	
4	Static purple	
5	Static blue-green	
6	Static yellow	Brightness is adjustable Speed is unadjustable
7	Static white	
8	Three color jumpy changing	Speed is adjustable brightness is unadjustable
9	Three color gradual changing	Speed is adjustable brightness is unadjustable
10	Seven color jumpy changing	Speed is adjustable brightness is unadjustable
11	Seven color gradual changing	Speed is adjustable brightness is unadjustable

Note

3pcs batteries are required but not included for the remote.