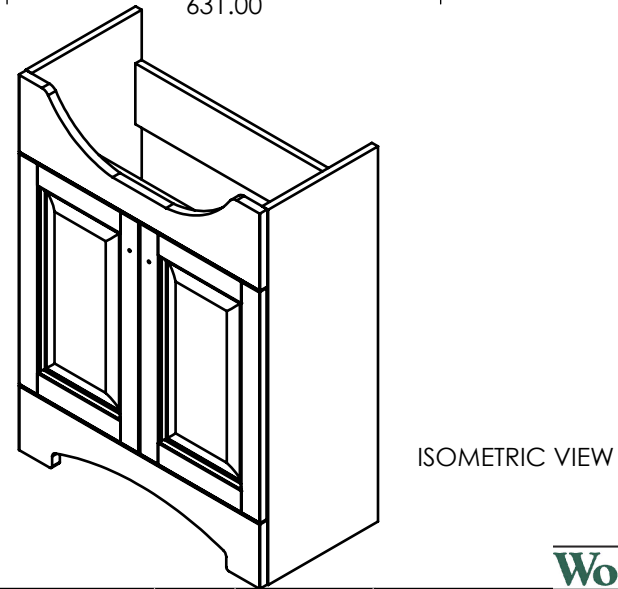
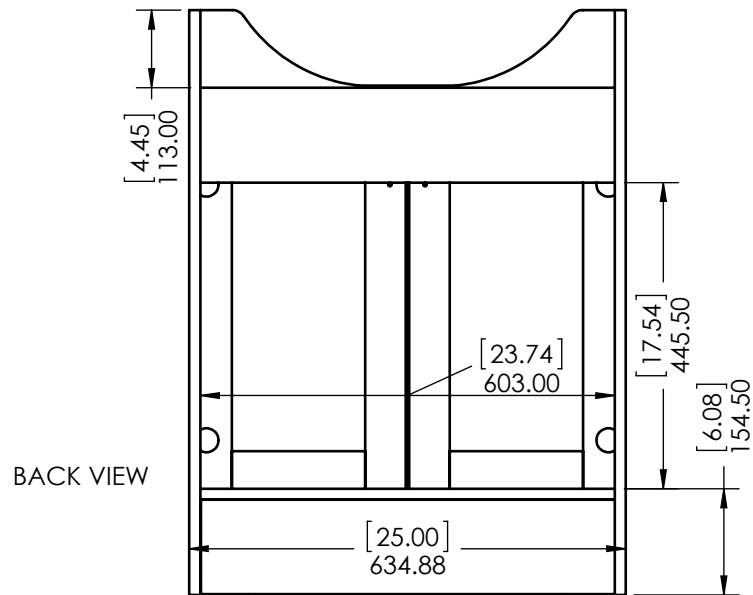
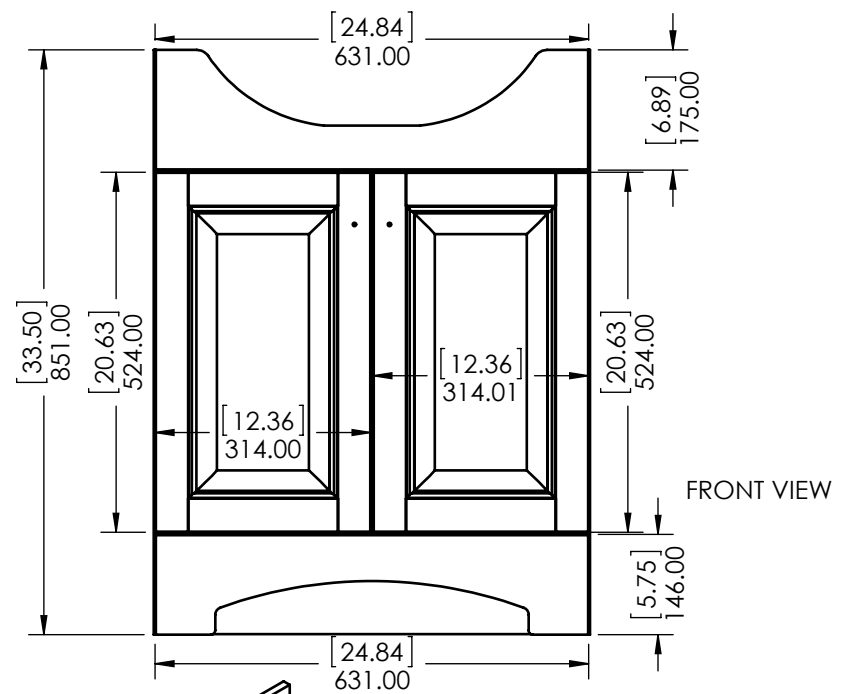
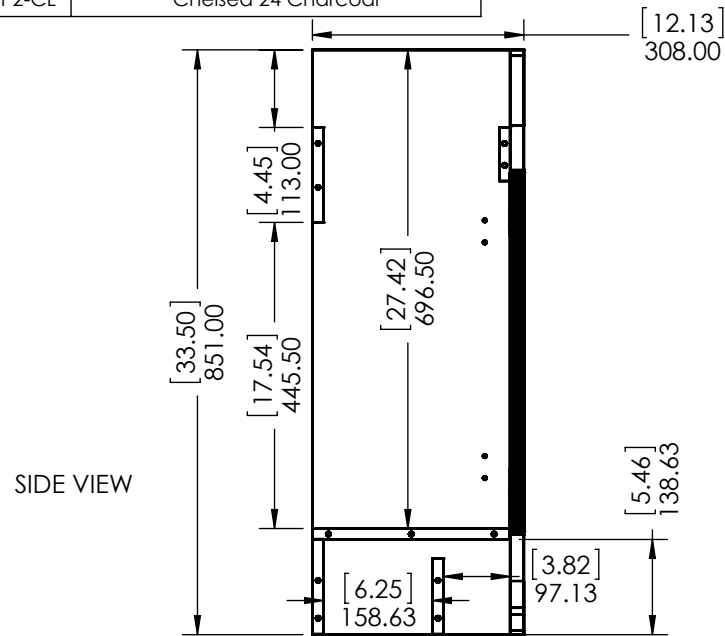


ITEM ID	DESCRIPTION
CH24EUP2-N	Chelsea 24 Nutmeg
CH24P2-CG	Chelsea 24 Cognac
CH24P2-CL	Chelsea 24 Charcoal

REV	ECO#	DESCRIPTION	REV'D BY DATE	CHK'D BY DATE	APRV'D BY DATE
0		New Release	IASV 2/9/16	IASV 2/9/16	IASV 2/9/16



PROPRIETARY AND CONFIDENTIAL
 THE INFORMATION CONTAINED IN THIS DRAWING IS THE SOLE PROPERTY OF WOODCRAFTERS HOME PRODUCTS L.L.C. ANY REPRODUCTION IN PART OR AS A WHOLE WITHOUT THE WRITTEN PERMISSION OF WOODCRAFTERS HOME PRODUCTS L.L.C. IS PROHIBITED.

UNLESS OTHERWISE SPECIFIED
 DIMENSIONS ARE IN mm and [inches] AND TOLERANCES ARE +/- 1.0 [0.04]

DRAWN BY:	IASV	2/9/16
CHECKED BY:	IASV	2/9/16
APPROVED BY:	VSG	2/9/16
DO NOT SCALE DRAWING	SCALE: 1:10	SIZE: A

Wood Crafters
**ENSAMBLE CHELSEA 24"
 NUTMEG, COGNAC &
 CHARCOAL**
 PART NO: PAGE 1 OF 1 REV: 1