

1733 Storability® Long Handle Tool Hook Kit

Read all instructions completely before installing. Should you have any questions about your installation, please call Customer Service at 440-248-5480. Missing and damaged parts must be reported within 5 days from receipt of delivery.

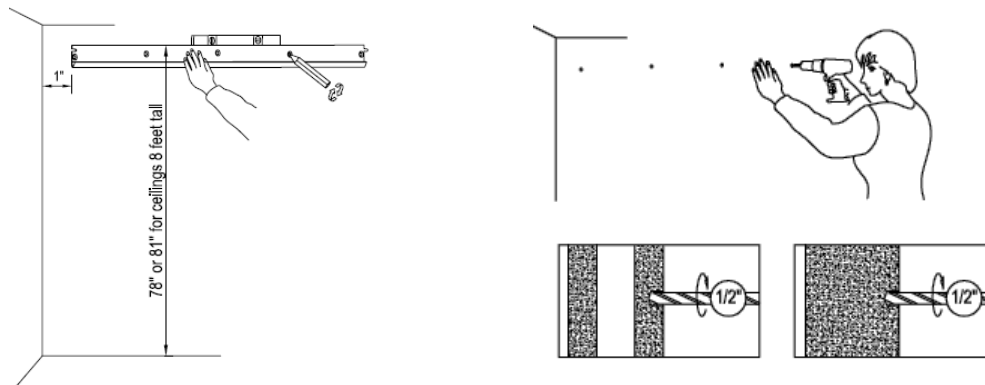
Tools needed for this installation (Not supplied with kit) –Level -Tape Measure- Drill- Drill Bits - Phillips Head Screwdriver

Parts Listing

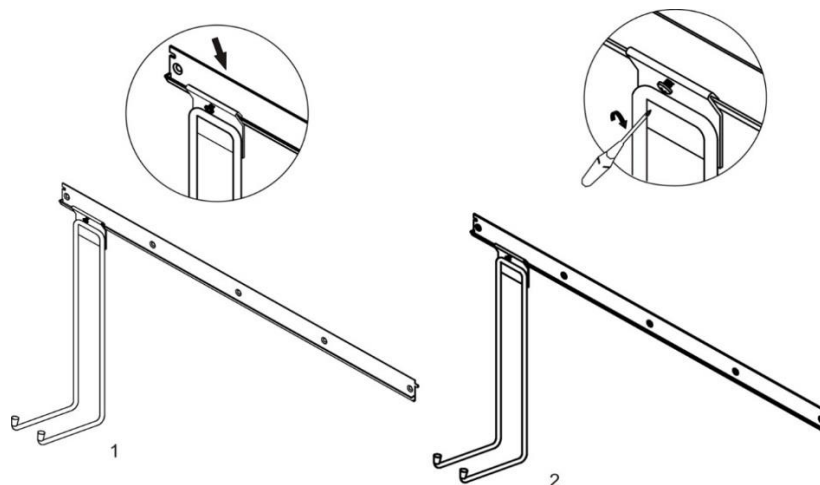
Part Number	Quantity	Description
1738	3	Large Tool Keepers for Top Tracks
1700	1	Top Track unit (mount to wall using a level)

Wall framing installation

Install Top Track across wall then secure Hang Rails on Top Track and secure with hardware (provided)



Accessory Installation: (See image below) Loosen pressure screw in top of tool keeper and slide onto lip in Top Track.





Installation & Assembly Instructions

Warranty information: Triton Products warrants to the original owner that this product is free from defects in material and workmanship for a period of two years from the date of the original purchase. If this product is defective when used as intended under normal household conditions within the specified period, Triton will replace the product, send a replacement part or issue a refund (at our option) when the consumer provides a proof of purchase (either a bill of sale, receipted invoice or other proof that the product is within the warranty period), along with a full description of the defect.

Liability: Triton Products and/or its Reseller's liability are limited to 100% of the purchase price of the product.