

### Features

- Two-handle centerset bathroom sink faucet for 4" centers.
- KOHLER ceramic disc valves exceed industry longevity standards two times for a lifetime of durable performance.
- Simplified faucet assembly; mounting hardware requires no special tools.
- Coordinates with other products in the Willamette collection.

### Material

- Premium material for durability and reliability.
- KOHLER finishes resist corrosion and tarnishing for durability and reliability.

### Water Conservation & Rebates

- WaterSense®-labeled 1.5-gpm faucets use at least 30 percent less water than standard 2.2-gpm faucets while still meeting strict performance guidelines.



ADA CSA B651

### Codes/Standards

ASME A112.18.1/CSA B125.1

NSF 61

NSF 372

DOE - Energy Policy Act 1992

EPA WaterSense®

ADA

ICC/ANSI A117.1

CSA B651

All applicable US Federal and State material regulations

### KOHLER® Faucet Lifetime Limited Warranty

See website for detailed warranty information.

### Available Color/Finishes

*Color tiles intended for reference only.*

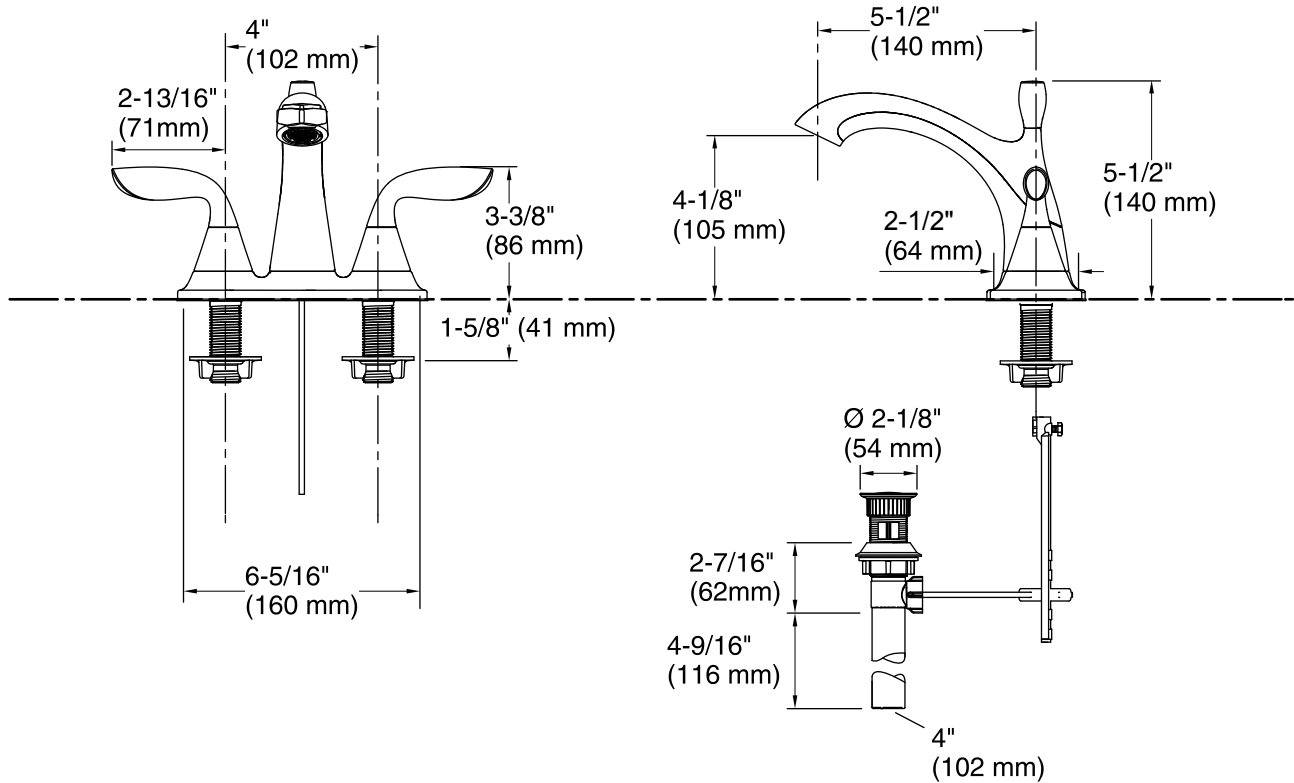
Color	Code	Description
-------	------	-------------



CP Polished Chrome



BN Vibrant® Brushed Nickel



**Technical Information**

All product dimensions are nominal.

- Valve body: Plastic
- Spout reach: 5-1/2" (140 mm)
- Drain included: YES
- Drain with overflow: YES
- Drain tailpiece included: YES

**Faucet:**

- Flow rate: 1.5 gal/min (5.7 l/min)
- Pressure: 45 psi (3.1 bar)

**Notes**

Install this product according to the installation guide.

ADA, CSA B651 compliant when installed to the specific requirements of these regulations.