

Magnitude by *Aire*

A Minka Group® Design

READ AND SAVE ALL INSTRUCTIONS



INSTRUCTION MANUAL WARRANTY CERTIFICATE

©2017 Minka Lighting Inc. Manual design and all elements of manual design are protected by United States Federal and/or State Law including Patents, Trademark, and/or Copyright Laws.



1151 W. Bradford Court, Corona, CA 92882 • For Customer Assistance Call: 1-800-307-3267



WARRANTY

The Aire warranty is for one (1) year from the date of purchase from an authorized Aire dealer. This warranty is only valid to the original purchaser or user against all defects in material and workmanship (light bulbs excluded) for one (1) full year. Additionally, Aire warrants the motor only for the lifetime of the Aire ceiling fan (excluding wall controls and electrical components), to the original purchaser or user.

- The warranty is void with the use of any non-Aire electrical devices; e.g., wall controls or electrical dimmer switches, etc.
- The warranty is void once the original purchaser or user ceases to own the fan or the fan is moved from its original point of installation.
- The warranty is void with the use of any hanger bracket (non-Aire or non-fan specific) other than the hanger bracket supplied in the box.
- The warranty is void if installed in an environment other than its intended use (Indoor fans installed outdoors or in a covered outdoor patio area, or subjected to environmental conditions: salt air, humidity, direct sun exposure, etc.). Outdoor finishes are specifically excluded from the terms of this warranty since they are subject to environmental and maintenance damages beyond our control.

WARRANTY SERVICE INFORMATION

To obtain warranty service during the warranty period, the purchaser should return the fan with the original sales receipt to the original place of purchase. Replacement is subject to availability of the same model. This is a limited warranty; the original purchaser or user is responsible for the cost of removal and re-installation of repaired or replacement product. Outdoor finishes are specifically excluded from the terms of this warranty since they are subject to environmental and maintenance damages beyond our control.

Fan warranty registration should be mailed as addressed on the warranty card.

Date Purchased _____ Store Purchased _____ Model Number _____ 34348 _____

Serial Number _____

CONTENTS

SAFETY RULES.....	4	FINISHING THE INSTALLATION.....	11
PACKAGE CONTENTS.....	5	ATTACHING THE FAN BLADES.....	12
PRE-INSTALLATION.....	6	OPERATING THE REMOTE CONTROL.....	13
INSTALLING THE FAN.....	7	CARE OF YOUR FAN.....	15
HANGING THE FAN-STANDARD CEILING MOUNTING.....	8	TROUBLESHOOTING.....	16
HANGING THE FAN-CLOSE-TO-CEILING MOUNTING.....	9	SPECIFICATIONS.....	17
ELECTRICAL CONNECTIONS.....	10		

SAFETY RULES

1. To reduce the risk of electric shock, ensure electricity has been turned off at the circuit breaker or fuse box before beginning.
2. All wiring must be in accordance with the National Electrical Code “ANSI/NFPA 70-1999” and local electrical codes. Electrical installation should be performed by a qualified licensed electrician.
3. The outlet box and support structure must be securely mounted and capable of reliably supporting a minimum of 35 lbs. Use only UL-listed outlet boxes marked “FOR FAN SUPPORT.”
4. The fan must be mounted with a minimum of 7 ft. clearance from the trailing edge of the blades to the floor.
5. Avoid placing objects in the path of the blades.
6. To avoid personal injury or damage to the fan and other items, be cautious when working around or cleaning the fan.
7. Do not use water or detergents when cleaning the fan or fan blades. A dry dust cloth or lightly dampened cloth will be suitable for most cleaning.
8. After making electrical connections, spliced conductors should be turned upward and pushed carefully up into the outlet box. The wires should be spread apart with the grounded conductor and the equipment-grounding conductor on one side of the outlet box and ungrounded conductor on the other side of the outlet box.
9. All setscrews must be checked and retightened where necessary before installation.
10. Turn the fan off and wait for the blades to stop completely before performing any maintenance or cleaning.

NOTE: The important safeguards and instructions appearing in this manual are not meant to cover all possible conditions and situations that may occur. It must be understood that common sense, caution and care are factors which cannot be built into this product. These factors must be supplied by the person (s) installing, caring for and operating the unit.

WARNING

TO REDUCE THE RISK OF FIRE, ELECTRIC SHOCK, OR OTHER PERSONAL INJURY, MOUNT FAN ONLY ON AN OUTLET BOX OR SUPPORTING SYSTEM MARKED ACCEPTABLE FOR FAN SUPPORT OF 35 LBS (15.9 KG) OR LESS AND USE MOUNTING SCREWS PROVIDED WITH THE OUTLET BOX. MOST OUTLET BOXES COMMONLY USED FOR THE SUPPORT OF LIGHTING FIXTURES ARE NOT ACCEPTABLE FOR FAN SUPPORT AND MAY NEED TO BE REPLACED. CONSULT A QUALIFIED ELECTRICIAN IF IN DOUBT.

TO REDUCE THE RISK OF PERSONAL INJURY, DO NOT BEND THE BLADE HOLDERS WHILE INSTALLING, BALANCING THE BLADES OR CLEANING THE FAN. DO NOT INSERT FOREIGN OBJECTS BETWEEN ROTATING FAN BLADES.

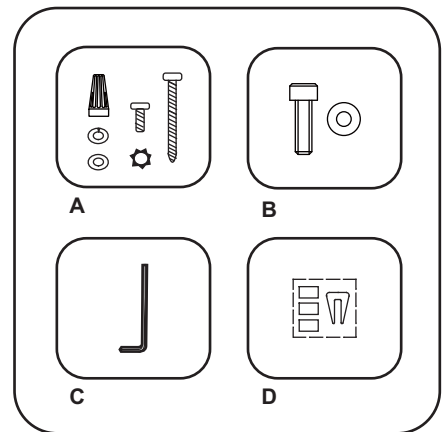
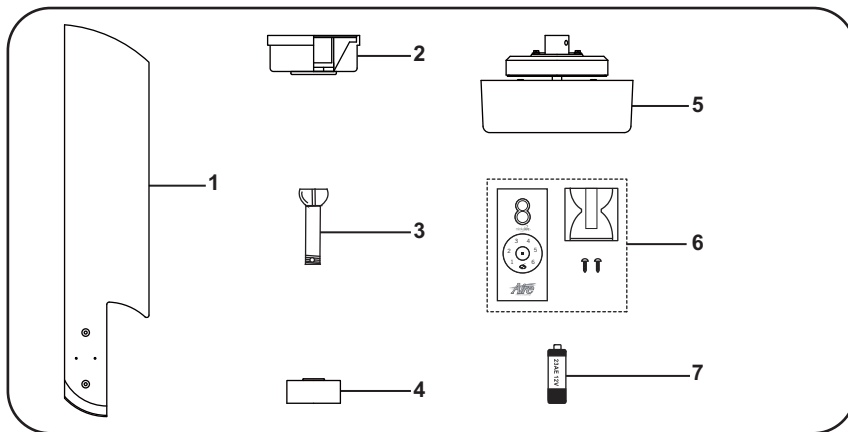
TO REDUCE THE RISK OF FIRE OR ELECTRONIC SHOCK, THIS FAN ONLY CAN USE UC7084T REMOTE CONTROL ONLY.

PACKAGE CONTENTS

Unpack your fan and check the contents. You should have the following items:

1. Fan blades (2)
2. Canopy assembly
3. Standard downrod assembly
4. Coupling cover
5. Fan motor/housing assembly
6. Remote control with holder and 2 mounting screws
7. 12V MN21/A23 battery

- A. Mounting hardware:
 - #10 x 1.5" Wood screws (2 PCs.)
 - #8 x 3/4" Machine screws (2 PCs.)
 - Lock washers (2 PCs.)
 - 4mm Star washers (2 PCs.)
 - Wire nuts (3 PCs.)
 - Washers (2 PCs.)
- B. Blade attachment hardware:
 - Screws and washers (7 PCs.)
- C. Hex wrench
- D. Balancing kit



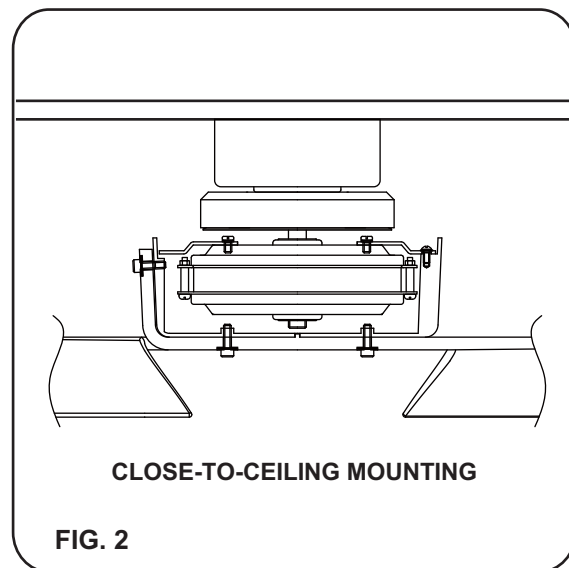
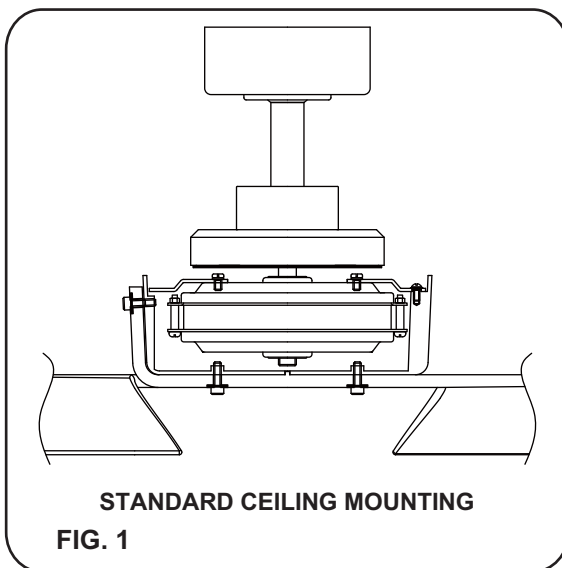
PRE-INSTALLATION

DUAL MOUNTING INSTRUCTIONS

This ceiling fan is supplied with two types of hanging assemblies: the standard ceiling installation using the downrod with ball and socket mounting, and the "close-to-ceiling" mounting. The "close-to-ceiling" mounting is recommended in rooms with less than 8 ft. ceilings or in areas where additional space is desired from the floor to the fan blades.

When using the standard downrod installation, the distance from the ceiling to the bottom of the fan blades will be approximately 12 in. The "close-to-ceiling" installation reduces the distance from the ceiling to the bottom of the fan blades to approximately 9 in.

Once you have decided which ceiling installation you will use, refer to the corresponding sections and procedures during the assembly period. Where necessary, each section of the instructions will note the different procedures to follow for the two types of installation.



INSTALLING THE FAN

Tools Required: Phillips screw driver; slotted screw driver; step-ladder; wire cutters; electrical tape.

MOUNTING OPTIONS

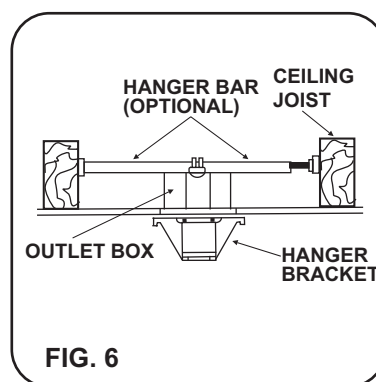
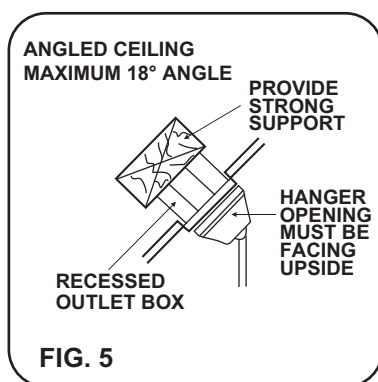
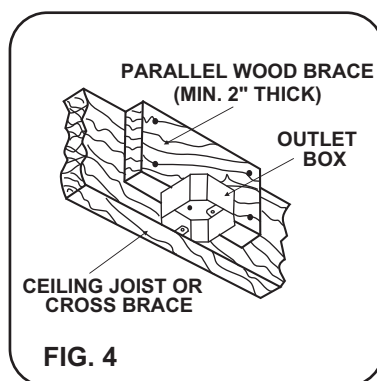
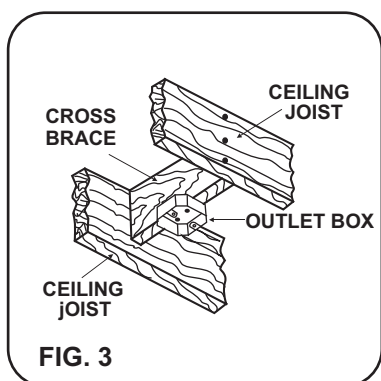
If there isn't an existing mounting box, then read the following instructions. Disconnect the power by removing fuses or turning off circuit breakers.

Secure the outlet box directly to the building structure. Use appropriate fasteners and building materials. The outlet box and its support must be able to fully support the moving weight of the fan (at least 50 lbs.). Use a UL Listed metal outlet box. Do not use a plastic outlet box.

Figure 3, 4 and 5 are examples of different ways to mount the outlet box.

Note: You may need a longer downrod to maintain proper blade clearance when installing on a steep, sloped ceiling. Longer downrods are available from your Aire dealer.

To hang your fan where there is an existing fixture but no ceiling joist, you may need to install a hanger bar as shown in Fig. 6 (available at your Aire dealer).



HANGING THE FAN-STANDARD CEILING MOUNTING

WARNING: All of the parts, hardware and components such as the hanger bracket and hanger ball have been provided for your safety and the proper installation of your new ceiling fan. The use of other parts, hardware or components not supplied by Aire with the fan will void the Aire Warranty.

REMEMBER to turn off the power. Follow the steps below to hang your fan properly:

Step 1. Remove the canopy ring from the canopy by turning the canopy ring counterclockwise. Remove the mounting bracket from the canopy by loosening the four screws on the top of the canopy. Remove the two non-slotted screws and loosen the slotted screws. (Figure 7)

Step 2. Pass the 120-volt supply wires through the center hole in the mounting bracket. Attach the mounting bracket on the outlet box by sliding the mounting bracket over the screws provided with the outlet box. When using "close-to-ceiling" mounting, it is important that the mounting bracket be level. If necessary, use leveling washers (not included) between the mounting bracket and the outlet box. Note that the flat side of the mounting bracket is toward the outlet box. (Fig. 8)

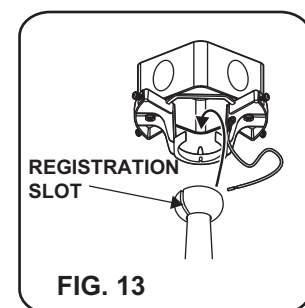
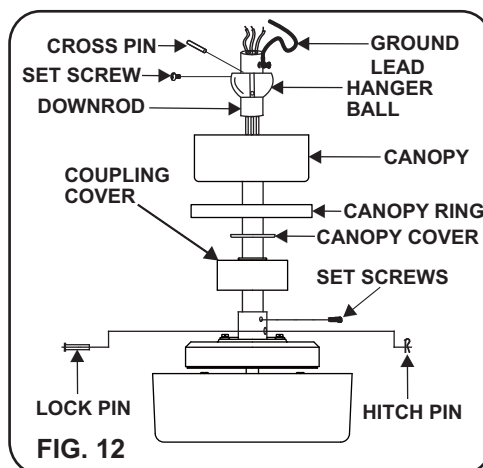
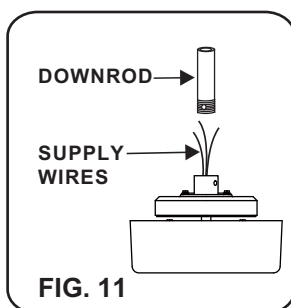
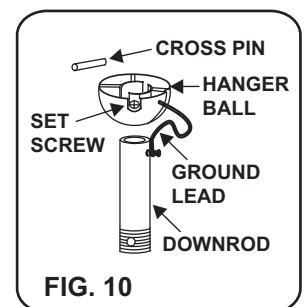
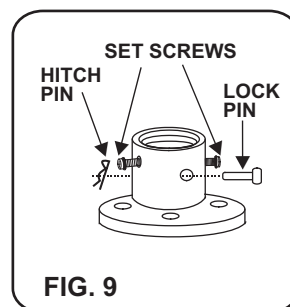
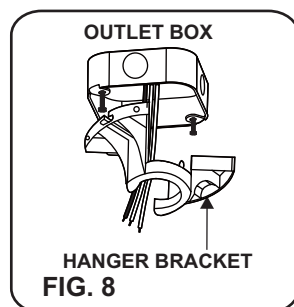
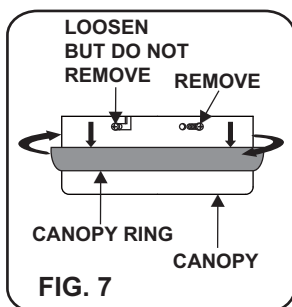
Step 3. Loosen the two Set Screws and remove the Hitch Pin and Lock Pin from the coupling located on the top of the Motor Assembly. (Fig. 9)

Step 4. Remove the Hanger Ball from the Downrod Assembly by loosening the Set Screw and removing the Cross Pin. Remove the ground lead from the downrod. (Fig. 10)

Step 5. Carefully feed fan wires up through the downrod. Thread Downrod into the Coupling until the holes are lined up and secure with the Lock Pin and Hitch Pin previously removed, tighten Set Screws. (Fig. 11)

Step 6. Slip coupling cover, canopy cover, canopy ring and canopy onto downrod. Carefully reinstall hanger ball onto rod and reinstall the ground lead onto the downrod, being sure that cross pin is in correct position, set screws are tighten and wires are not twisted. (Fig. 12)

Step 7. Lift the Motor Assembly and place the Hanger Ball into the Hanger Bracket. Rotate the Motor Assembly as needed until the check groove from the Hanger Ball rests firmly over the registration tab from the Hanger Bracket. (Fig. 13)



HANGING THE FAN-CLOSE-TO-CEILING MOUNTING

WARNING: All of the parts, hardware and components such as the hanger bracket and hanger ball have been provided for your safety and the proper installation of your new ceiling fan. The use of other parts, hardware or components not supplied by Aire with the fan will void the Aire Warranty.

REMEMBER to turn off the power. Follow the steps below to hang your fan properly:

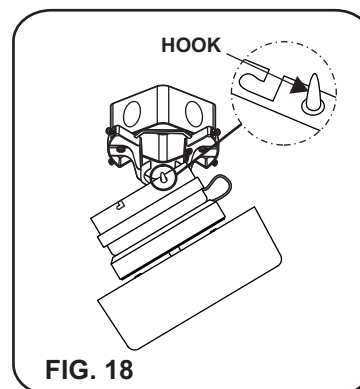
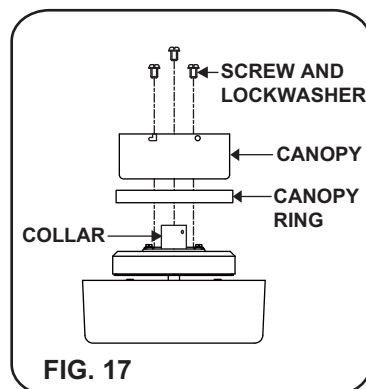
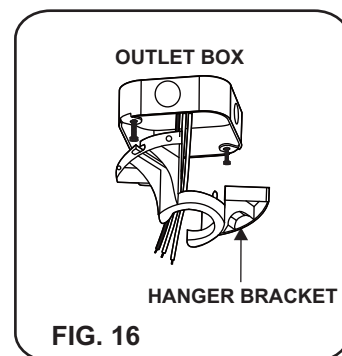
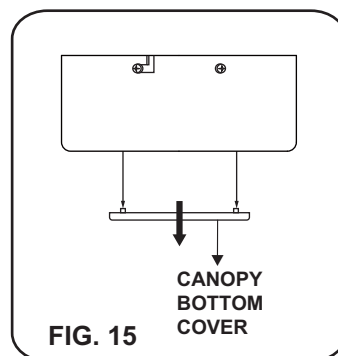
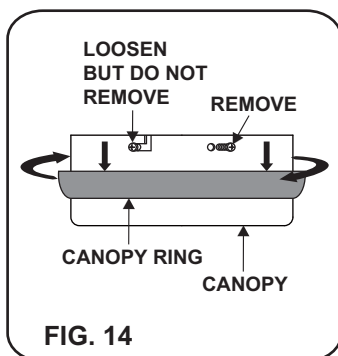
Step 1. Remove the canopy ring from the canopy by turning the canopy ring counterclockwise. Remove the mounting bracket from the canopy by loosening the four screws on the top of the canopy. Remove the two non-slotted screws and loosen the slotted screws. (Figure 14)

Step 2. Remove the decorative canopy bottom cover from the canopy by turning the canopy bottom cover counterclockwise. (Figure 15)

Step 3. Pass the 120-volt supply wires through the center hole in the mounting bracket. Attach the mounting bracket on the outlet box by sliding the mounting bracket over the screws provided with the outlet box. When using "close-to-ceiling" mounting, it is important that the mounting bracket be level. If necessary, use leveling washers (not included) between the mounting bracket and the outlet box. Note that the flat side of the mounting bracket is toward the outlet box. (Figure 16)

Step 4. Route the wires exiting the top of the fan motor through the canopy. Then proceed to place the ceiling canopy over the collar at the top of the motor. Align the mounting holes with the holes in the motor and fasten using the screws and lock washers provided. (Figure 17)

Step 5. Hang the fan on the hook of the hanger bracket. Be certain that the canopy is fully locked into hook as shown in Figure 18.



ELECTRICAL CONNECTIONS

WARNING:To avoid possible electrical shock be sure electricity is turned off at the main fuse or breaker box before wiring.

NOTE:The Aire Control® System for this DC motor fans is equipped with a learning frequency function which has 32 code combinations to prevent potential interference from other remote units. The frequency on your Receiver and Transmitter units have been preset at the factory. (Fig. 19) No frequency change is necessary, should you desire to install another Minka Aire DC motor fan within the same home or area with a separate frequency code please see the "frequency interference" troubleshooting section of this instruction manual to learn how to change the frequency.

The "D (DIMMER)" selection is the light dimmable selection and is to be used with all bulbs except for CFL bulbs. The "ON (ON/OFF)" selection is the light on only (no dimming function) and is to be used with CFL bulbs as CFL bulbs cannot be dimmed properly. The CFL bulb included with this fan is not dimmable. The switch has to be set at "ON."

Step 1. Connect the ground conductor of the 120V supply (this may be a bare wire or a wire with green colored insulation) to the green ground lead(s) of the fan. (Figure 20) When using standard ceiling mounting, there are two green grounding leads; one from the ceiling mounting bracket and one from the ball/downrod assembly. When using "Flushmount Installation" mounting, there is only one green ground lead from the ceiling mounting bracket since the ball/downrod assembly is not used.

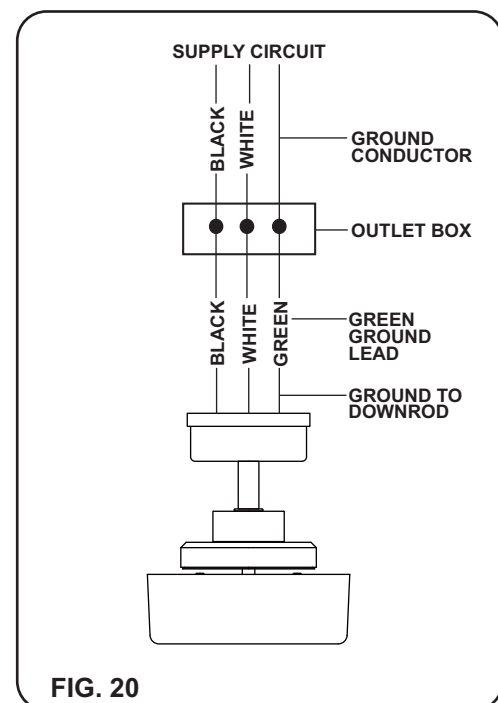
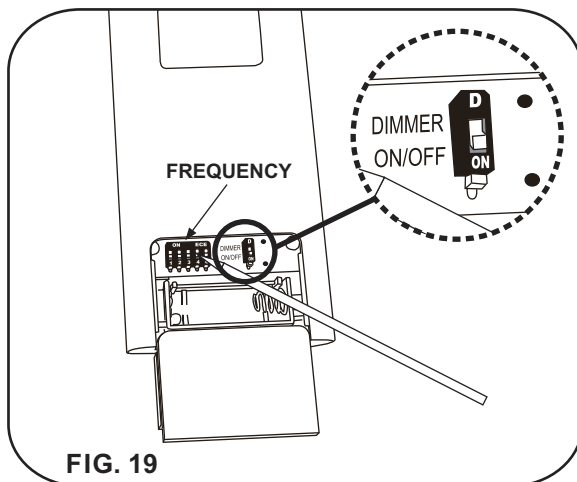
Step 2. Connect the fan motor white wire to the supply white (neutral) wire using a wire nut. (Figure 20)

Step 3. Connect the fan motor black wire to the supply black (hot) wire using a wire nut. (Figure 20)

Step 4. Turn wire nut connections upward, spreading them apart so the green (ground) will be on one side of the outlet box, and the white and black wire will be on the other side, and push carefully up into the outlet box.

WARNING:Check to see that all connections are tight, including ground, and that no bare wire is visible at the wire nuts. Except for the ground wire.

WARNING:To reduce the risk of fire or electric shock. Do not use this fan with any solid-state speed control device.



FINISHING THE INSTALLATION

STANDARD CEILING MOUNTING

WARNING: Locking slots of ceiling canopy are provided only as an aid to mounting. Do not leave fan assembly unattended until all four canopy screws are engaged and firmly tightened.

Step 1. Slide canopy up to the ceiling as shown in Figure 21. Make sure you place the wires safely into the outlet box.

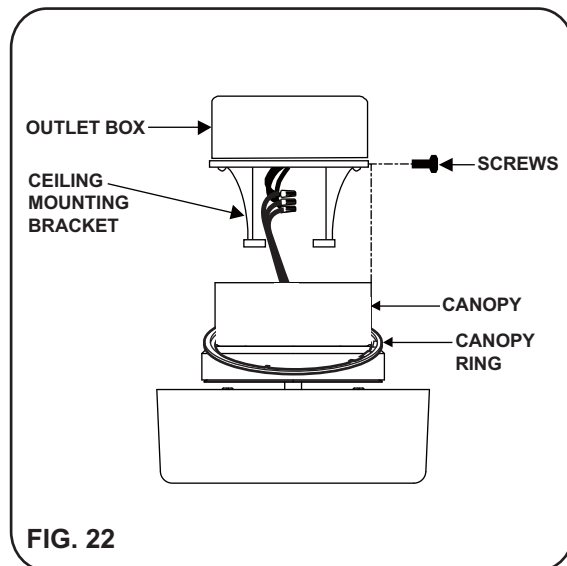
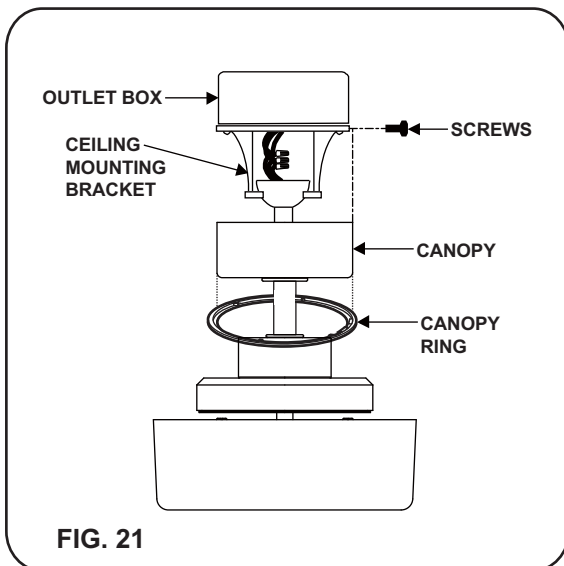
Step 2. Secure the canopy to the mounting bracket with the four screws with your fan. Slide the canopy ring over the canopy and tighten by turning the canopy ring.

CLOSE-TO-CEILING MOUNTING

WARNING: Make sure the tab on the mounting bracket properly sits in the groove in the hanger ball before attaching the canopy to the bracket by turning the housing until it drops into place.

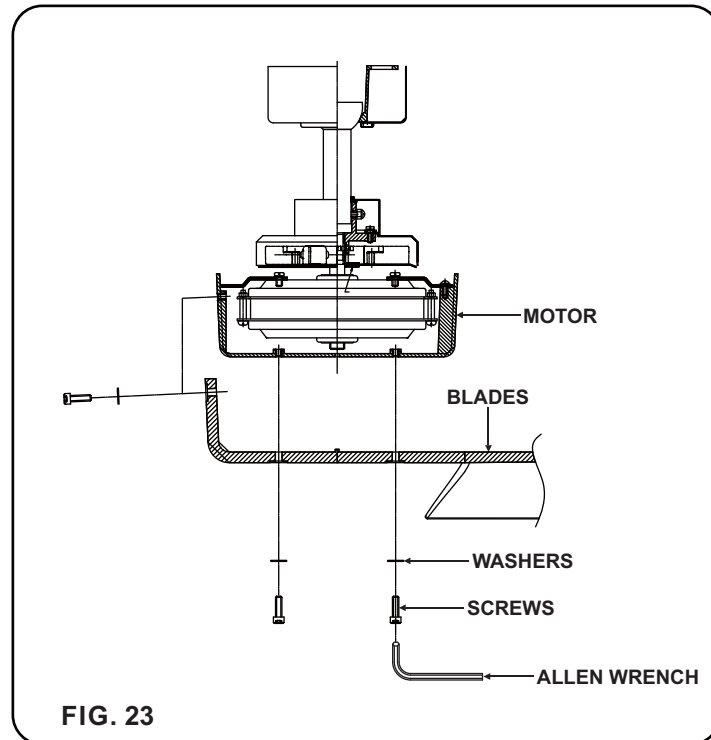
Step 1. Remove the fan from the hook on the mounting bracket.

Step 2. Secure the canopy to the mounting bracket with four screws included with your fan. (Fig. 22) Slide the canopy ring over the canopy and tighten by turning the canopy ring.



ATTACHING THE FAN BLADES

Align the holes from the blade to the holes from the motor, and secure the blade in place by using the screws with the hex wrench provided. Repeat this process to attach the other blades. (Fig. 23)



OPERATING THE REMOTE CONTROL

Remote Control only: Install a A23 12 volt battery (included). To prevent damage to transmitter remove the battery if not used for long periods of time.

IMPORTANT: This remote control & dc fan motor are designed to perform a one time self calibration test. This test will begin once a new code has been set, and will last approximately six minutes.

Your DC brushless motor is equipped with a self learning frequency function remote control. Restore power to ceiling fan and test the transmitter as below for proper operation:

A. 1, 2, 3, 4, 5 and 6 button:

These six buttons are used to set the fan speed as follows:

- 1 = minimum speed
- 2 = low speed
- 3 = medium low speed
- 4 = medium speed
- 5 = medium high speed
- 6 = high speed

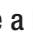
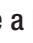
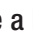
B.  Reverse button:

This button is used to change the direction of the rotation of the blades; forward for warm weather or reverse for warm weather.

C.  Button:

This button turns the power Off and On to the Fan.

D.  Button:

These buttons turn the light ON or OFF, this fan's light will not dim. The following instructions apply to ceiling fans that feature a DOWN light ( button) only or ceiling fans that feature an UP light ( button) and a DOWN light ( button) that are controlled independent of each other.

Press and release the button for the desired light to turn the light ON or OFF. Press and hold the button to set the desired light brightness. The light will cycle between bright and dim settings as long as the button is pressed. The light key has an automatic auto-resume feature that allows the light to remain at the same brightness as the last time it was turned off.

Note: The auto learning function will only mandate within 60 seconds when turning the fan's AC power ON.

1. Select desired frequency from the back of transmitter.

2. Press the transmitter's "SET" button, and hold the "SET" button for over 5 seconds. Once the receiver has detected the frequency, the fan will automatically begin to operate and start to rotate in the counter-clockwise direction and on the highest RPM for 3 minutes. When counter-clockwise rotation has finished, the fan will automatically reverse to clockwise direction again to the highest RPM for 3 minutes. Fan will shut off when the self calibration test has finished. The total self calibration test will last about 6 minutes.

Note: During self calibration test, the remote will be non-function.

Note: The learning frequency function and self calibration test will continue to retain the last set frequency and calibration set even when the AC power is shut off. If the frequency is changed the self calibration test will occur again.

1. Lock position: The DC motor has a built-in safety against obstruction during operation. The motor will get locked operation and disconnect power after 30 seconds if interruption occurs. Please remove obstacles before re-set.
2. Over 38W protection: When the receiver detects motor power consumption which is greater than 38W, the receiver's power will stop and operation will be immediately discontinued. Turn the receiver power on after 5 seconds.
3. "D" and "ON" dip switch: The "D" selection is the light dimmable selection and is to be used with all bulbs except for CFL bulbs. The "ON" selection is For CFL bulbs.

Speed settings for warm or cold weather depend on factors such as room size, ceiling height and number of fans.

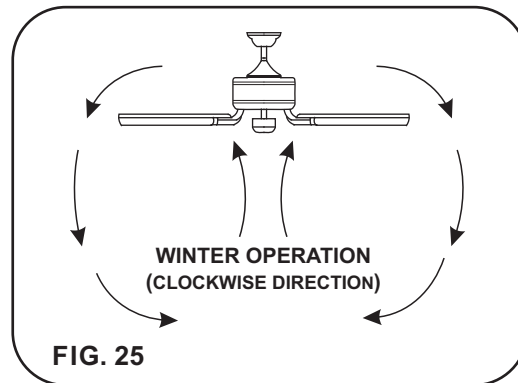
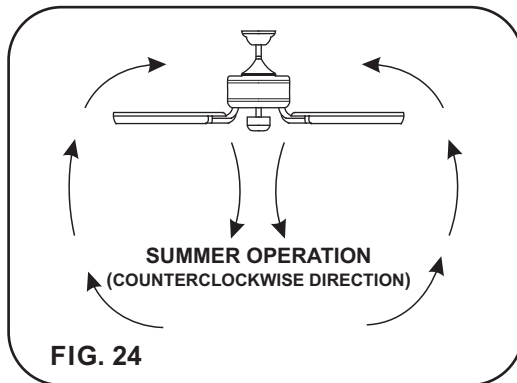
NOTE: To change the direction of the rotation of the blades the fan must be in operation mode.

Warm Weather (forward)

A **DOWNWARD** airflow creates a cooling effect as shown in Figure 24. This allows you to set your air conditioner on a warmer setting without affecting your comfort.

Cool Weather (Reverse)

An **UPWARD** airflow moves warmer air off the ceiling area as shown in Figure 25. This allows you to set your heating unit on a cooler setting without affecting your comfort.



CARE OF YOUR FAN

Here are some suggestions to help maintain your fan.

1. Because of the fan's natural movement some connections may become loose. Check the support connections, brackets and blade attachments twice a year. Make sure they are secure. (It is not necessary to remove fan from the ceiling).
2. Clean your fan periodically to help maintain its new appearance over the year. **CAUTION:** many common household cleaning products contain chemicals that could damage the finish of your fan. Use only a soft lint free cloth and soapy water.
3. If your fan is provided with wood veneer blades; you can apply a light coat of furniture polish for additional protection and enhanced beauty. Cover small scratches with a light application of shoe polish.
4. Use a lint free lightly damp cloth or duster to remove dust from the blades.
5. There is no need to oil your fan. The motor has permanently lubricated bearings.
6. If your fan is provided with glass shades, clean with lukewarm soapy water and a soft cloth or sponge. **DO NOT IMMERSE GLASS SHADES IN HOT WATER. DO NOT PUT GLASS SHADES INTO AN AUTOMATIC DISHWASHER.**

WARNING!

MAKE SURE THE POWER IS OFF AT THE ELECTRICAL PANEL BOX BEFORE YOU ATTEMPT ANY REPAIRS. REFER TO THE SECTION, "ELECTRICAL CONNECTIONS".

TROUBLESHOOTING

SYMPTOM	SOLUTION
Fan will not start	<ul style="list-style-type: none">• Check to make sure the wall switch is turned on.• Check circuit fuses or breakers.• Caution! Make sure the power is turned off before performing the following steps.• Remove canopy and check wire connections.• Check wall control transmitter connections (if applicable).• Note: Fan must be installed at a maximum distance of 40 feet from the transmitting unit for proper signal transmission between the transmitting unit and the fan's receiving unit.
Fan Sounds Noisy	<ul style="list-style-type: none">• Allow a 24-hour "break in" period. Most noises associated with a new fan will go away during this time.• Make sure the screws that attach the fan blade holder to the motor hub is tight.• Make sure outlet box is secured to building structure, if necessary use the wood screws provided to further secure outlet box to joist.• Make sure hanger bracket is secure to the outlet box, screws are tight.
Fan Wobble	<ul style="list-style-type: none">• NOTE: All blade sets are grouped by weight. Because wood and plastic blades vary in density, the fan may wobble even though blades are matched.• Make sure outlet box is secured to building structure, if necessary use the wood screws provided to further secure outlet box to joist.• Make sure hanger bracket is secure to the outlet box, screws are tight.• If a Balancing kit is provided follow the instructions included with the balancing kit to help correct any excessive wobble.
Remote control	<ul style="list-style-type: none">• Turn the power off to your ceiling fan.• Please use a small size tool to change the frequency settings on the control system.• Return power to the unit. Note: After the AC power is on, do not press any other button on the transmitter before pressing the "Stop" button, doing so will cause the procedure to fail.• Within 60 seconds of turning the Fan's AC power ON. Press the transmitter's "Stop" button and hold the "Stop" button for 10 seconds.• Once the receiver has detected the set frequency, the down light of your fan if applicable will blink twice. (there is no indication if your fan is not equipped with a light).• The receiver has now learn the frequency which has been selected on the transmitter. After completing the steps above, you should be able to operate the ceiling fan and light. If the fan is not responding to the transmitter, please turn the power off to the receiver, and repeat the process.

SPECIFICATIONS

Fan Size	Speed	Volts	Amps	Watts	RPM	CFM	N.W.	G.W.	C.F.
56"	Low (speed 1)	120	0.05	2.37	49	2598	7.97	9.32	2.296'
	Medium (speed 4)	120	0.19	12.36	108	5843	kgs	kgs	
	High (speed 6)	120	0.43	30.01	144	7919			

These are typical readings. Your actual fan may vary. They do not include amps and wattage used by the light(s).

PERFORMANCE AND ENERGY INFORMATION

ENERGYGUIDE

**Estimated
Yearly Energy Cost**

\$6

\$3
\$34

Cost Range of Similar Models (19" – 84")

- Based on 12 cents per kWh and 6.4 hours use per day
- **Your cost depends on rates and use**
- Energy Use: 20 Watts

Airflow

5,036

Cubic Feet Per Minute

- The higher the airflow, the more air the fan will move
- Airflow Efficiency: 248 Cubic Feet Per Minute Per Watt

All estimates based on typical use, excluding lights ftc.gov/energy

For any additional information about your Aire Ceiling fan, please write to:



1151 W. Bradford Court, Corona, CA 92882 • For Customer Assistance Call: 1-800-307-3267