



## PORTABLE ICE MAKER

ITEM: 94024 & 94025



## OWNER'S MANUAL AND SAFETY INSTRUCTIONS

**SAVE THIS MANUAL: KEEP THIS MANUAL FOR SAFETY WARNINGS, PRECAUTIONS, ASSEMBLY, OPERATING, INSPECTION, MAINTENANCE AND CLEANING PROCEDURES. WRITE THE PRODUCT'S SERIAL NUMBER ON THE BACK OF THE MANUAL NEAR THE ASSEMBLY DIAGRAM (OR MONTH AND YEAR OF PURCHASE IF PRODUCT HAS NO NUMBER).**

**FOR QUESTIONS PLEASE CALL OUR CUSTOMER SUPPORT: (909) 628 0880 MON-FRI 9AM TO 3PM PST**

# IMPORTANT SAFETY INFORMATION



## GENERAL SAFETY WARNINGS

Read all safety warnings and instructions. Failure to follow the warnings and instructions may result in electric shock, fire and/or serious personal injury. Save all warnings and instructions for future reference.

## SAFETY

The warnings, precautions, and instructions discussed in this instruction manual cannot cover all possible conditions and situations that may occur. It must be understood by the operator that common sense and caution are factors which cannot be built into this product, but must be supplied by the operator. Read carefully and understand all instructions before operating. Failure to follow the safety rules and other basic safety precautions may result in serious personal injury.

- **DO NOT** operate this or any other appliance with a damaged cord. If the supply cord is damaged, it must be replaced by the manufacturer or its service agent or a similarly qualified person in order to avoid a hazard. This ice-maker must be positioned so that the plug is accessible. Connect to properly polarized outlets only. No other appliance should be plugged into the same outlet. Be sure that the plug is fully inserted into the receptacle.
- **DO NOT** run the power cord over carpeting or other heat insulators. **DO NOT** cover the cord. Keep cord away from high traffic areas and NEVER submerge the cord.
- **DO NOT** use an extension cord, as it may overheat and become a fire risk. If you must use an extension cord, use No.14AWG minimum size and rated no less than 1875 watts.
- Unplug the ice maker before cleaning or making any repairs or servicing.
- Exercise caution and use reasonable supervision when appliance is used near children.
- **DO NOT** use your ice-maker outdoors. Place the ice-maker away from direct sunlight and make sure that there is at least 4 inches of space between the back of your unit and wall. Keep a minimum distance of 4 inches on each side of your unit free.
- **DO NOT** use liquid other than water in your ice maker.
- **DO NOT** clean your ice maker with flammable fluids. The fumes can create a fire hazard or explosion.
- **DO NOT** tip over.
- If the ice maker is brought in from outside in wintertime, give it a few hours to warm up to room temperature before plugging it in.
- This appliance must be grounded.
- **DANGER!** Risk Of Fire or Explosion. Flammable Refrigerant Used. Do Not Use Mechanical Devices To Defrost Ice Maker. Do Not Puncture Refrigerant Tubing.
- **DANGER!** Risk Of Fire Or Explosion. Flammable Refrigerant Used. To Be Repaired Only By Trained Service Personnel. Do Not Puncture Refrigerant Tubing.
- **CAUTION!** Risk Of Fire Or Explosion. Flammable Refrigerant Used. Consult Repair Manual/Owner's Guide Before Attempting To Install or Service This Product. All Safety Precautions Must be Followed.

- **CAUTION!** Risk Of Fire Or Explosion. Dispose Of Property In Accordance With Federal Or Local Regulations. Flammable Refrigerant Used.
- **CAUTION!** Risk Of Fire Or Explosion. Due To Puncture Of Refrigerant Tubing; follow Handling Instructions Carefully. Flammable Refrigerant Used.
- The ice maker should be installed in accordance with the safety standard for Refrigeration Systems, ASHRAE15. The ice maker shall not be installed in corridors or hallways of public buildings.
- If the unit needs to be maintained, replacement components and servicing shall be done by factory authorized service personnel, so as to minimize the risk of possible ignition due to incorrect parts or improper service.

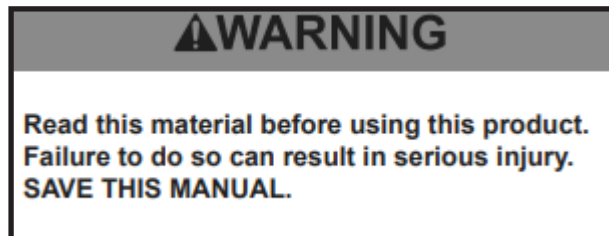
**IMPORTANT:** The wires in this mains lead are colored in accordance with the following code:

**YELLOW:** GROUNDING

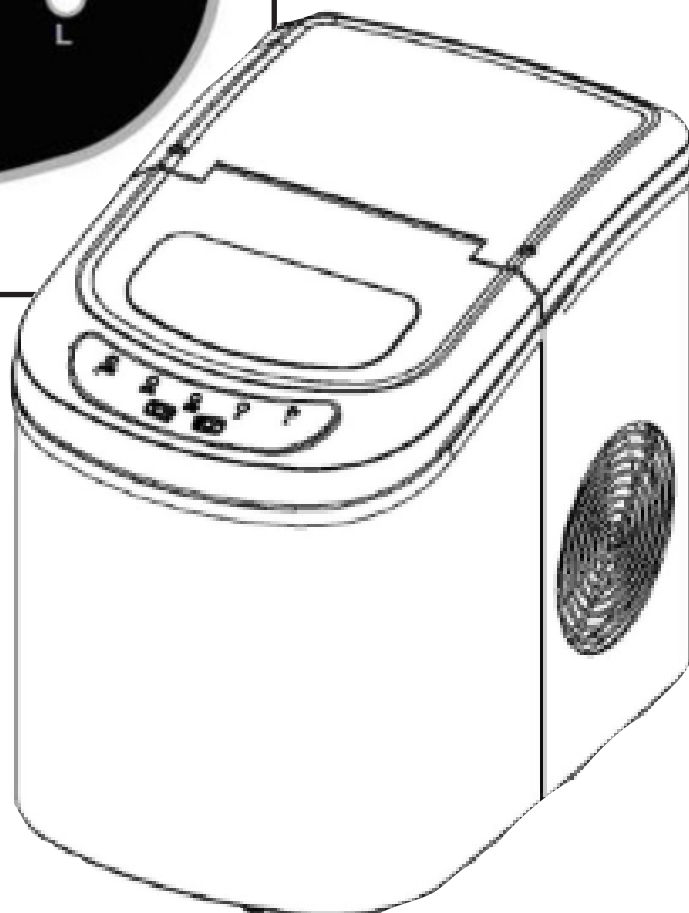
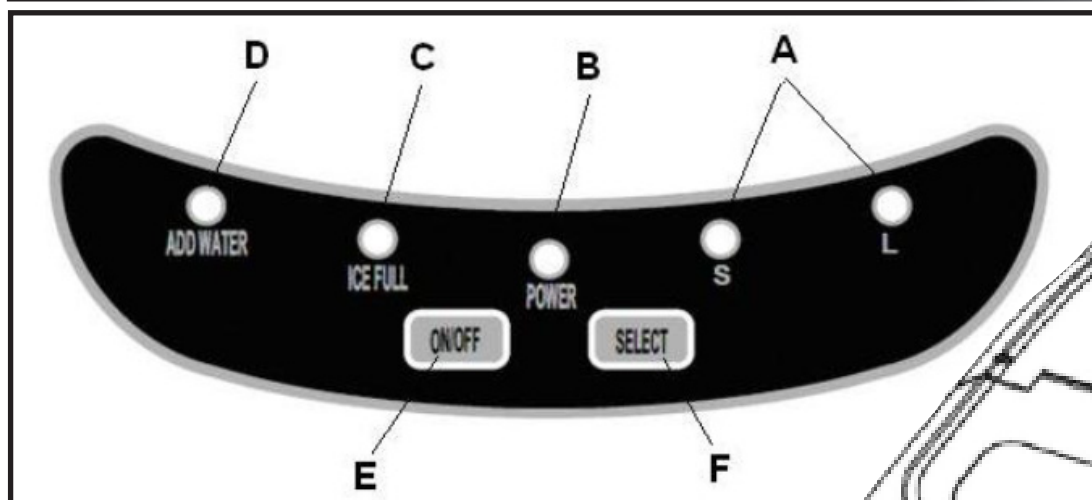
**WHITE:** NEUTRAL

**BLACK:** LIVE

To avoid a hazard due to instability of the appliance, it must be placed at an even or flat surface.



## OPERATION



### CONTROL PANEL:

- A. ICE SIZE INDICATOR
- B. POWER INDICATOR
- C. ICE FULL INDICATOR
- D. WATER SHORTAGE INDICATOR
- E. POWER BUTTON
- F. ICE SIZE SELECTION

## UNPACKING YOUR ICE MAKER

1. Remove the exterior and interior packaging. Check if ice basket and ice scoop inside. If any parts are missing, please contact our customer service.
2. Remove the tapes for fixing ice shovel, ice basket & ice scoop. Clean the tank & ice basket.
3. Put the ice maker on a level & flat counter top without direct sunlight and other sources of heat (i.e.: stove, furnace, radiator). Make sure that there is at least 4 inches gap between the back & LH/RH sides with the wall.
4. Allow one hour for the refrigerant fluid to settle before plugging the ice maker in.
5. The appliance must be positioned so that the plug is accessible.

## OPERATION

---

### CONNECTING YOUR ICE MAKER

**Improper use of the grounded plug can result in the risk of electrical shock. If the power cord is damaged please call our customer service.**

1. This unit should be properly grounded for your safety. The power cord of this appliance is equipped with a three-prong plug which mates with standard three prong wall outlets to minimize the possibility of electric shock.
2. Plug your appliance into an exclusive, properly installed, grounded wall outlet. Do not under any circumstances, cut or remove the third (ground) prong from the power cord. Any questions concerning power and/or grounding should be directed toward a certified electrician.
3. This appliance requires a standard 110-120volt, 60Hz electrical outlet with three-prong ground.

### OPERATING YOUR ICE MAKER

1. Open the cover, remove the ice basket and pour water into tank. Keep water level below the water level mark.
2. Press “Power” button on the control panel to begin the ice making cycle.
3. Select the ice cube size by pressing the “Select” button. If the room temperature is lower than 60, it is recommended to select small ice cube in order to avoid ice sticking together.
4. The ice making cycle lasts approx. 6 to 13 minutes, depending on selection of ice cube size and the room temperature. The recommended room temperature is 50 °F to 105 °F.
5. If water pump can't inject water, the ice maker will stop automatically, and the “Add Water” indicator will be on. Press “Power” button, fill water up to the max. water level mark and press “Power” button again to turn on the unit again. Allow the refrigerant liquid inside the compressor at least 3 minutes to settle before restarting.
6. The ice maker stops when the ice basket is full and the “Ice” indicator will be on. **Warning: Direct sunlight or sunlight reflection may cause infrared sensor malfunction.** If the unit doesn't stop even ice cubes obstruct sensor, move the unit where no sunlight.
7. Change water in the water reservoir every 24 hours to ensure a reasonable clarity levels. If unit isn't to be used, drain all the water and dry the tank.

### CLEANING AND MAINTAINING YOUR ICE MAKER

**Before using your ice maker, it is strongly recommended to clean it thoroughly.**

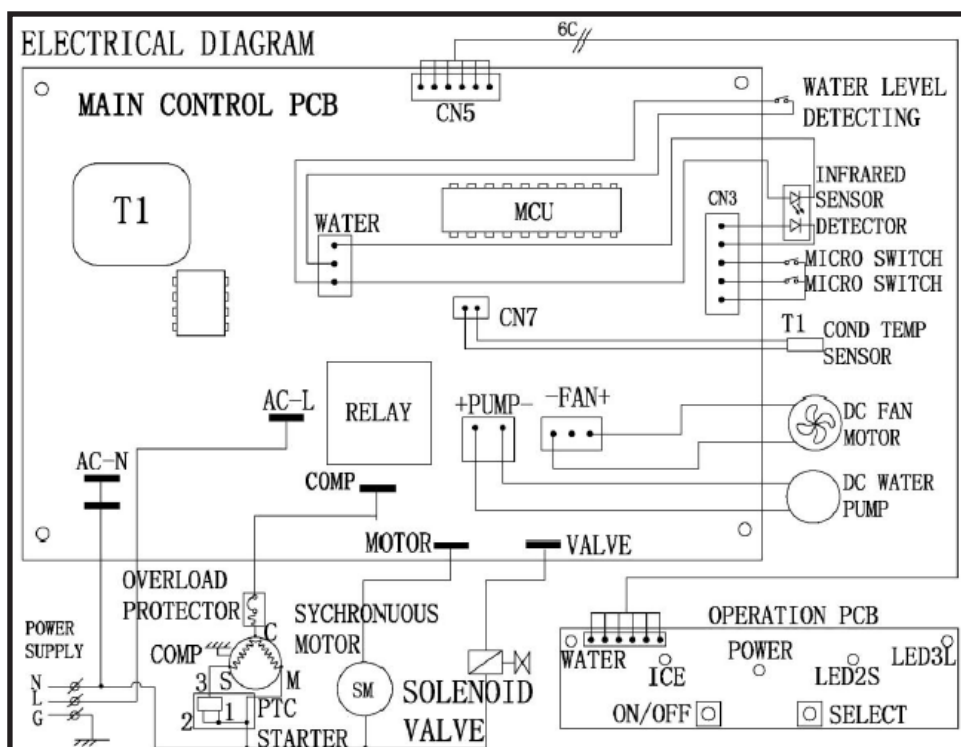
1. Take out the ice basket.
2. Clean the interior with diluted detergent, warm water and a soft cloth.
3. Then use the water to rinse the inside parts, and drain out the water by unplugging the drain cap on front bottom side.
4. The outside of the ice maker should be cleaned regularly with a mild detergent solution and warm water.
5. Dry the interior and exterior with a clean soft cloth.
6. When the machine is not to be used for a long time, drain water completely & dry the interior.

# TROUBLESHOOTING

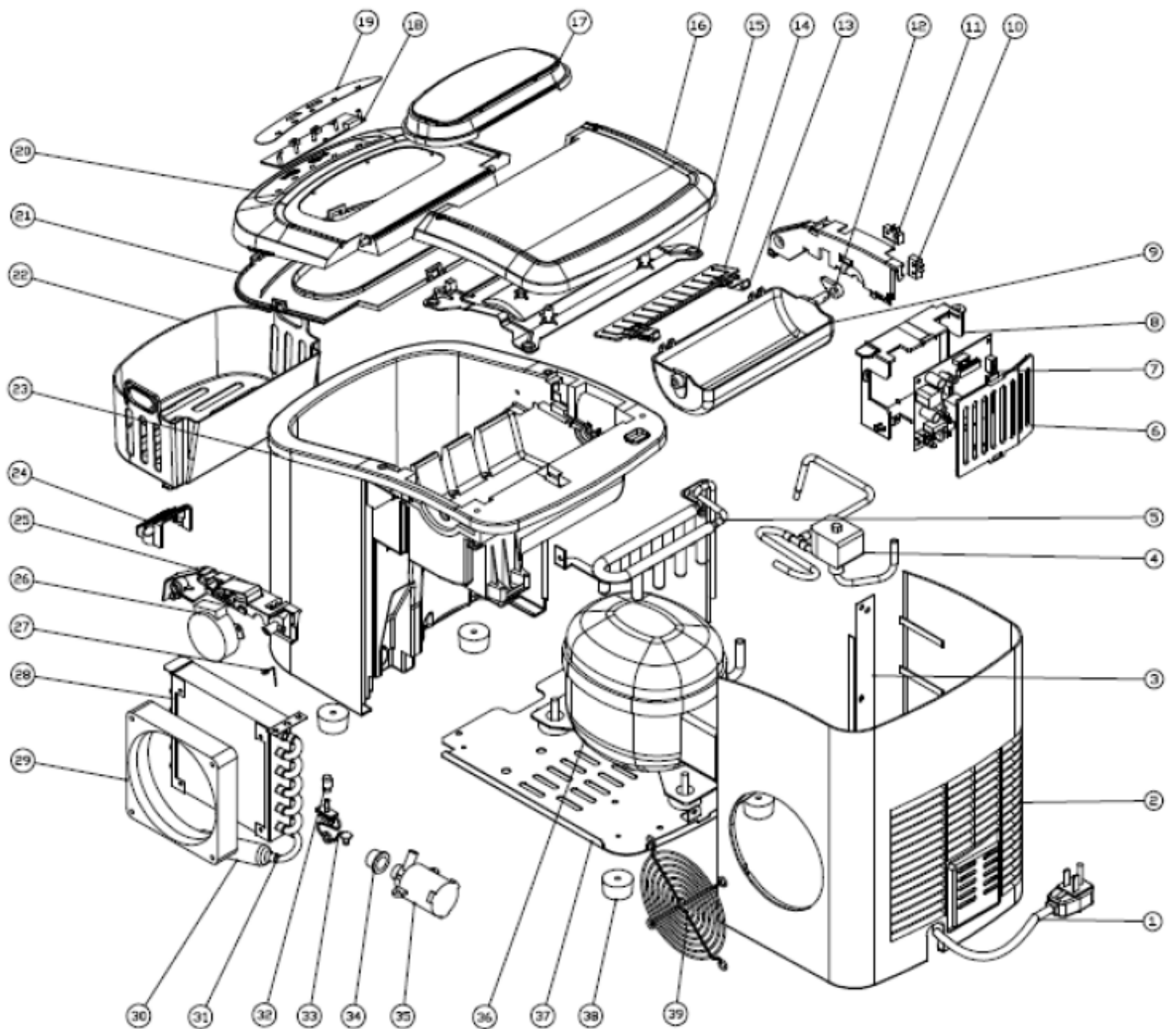
PROBLEM	CAUSE	SOLUTION
"Add Water" indicator is on	Lack of Water	Stop the ice maker, fill water, and press "Power" button again to restart the unit
"Ice" indicator is on	Ice Basket is Full	Remove ice from ice basket. Continuous press "Select" button 5 seconds, the unit could make ice 10 cycles even "Ice" indicator is on
Ice cubes stick together.	The Ice making cycle is too long	Stop the ice maker, and restart it when the ice blocks melt. Select the small size ice cube selection.
	Tank water temperature is too low	Replace the water. Temperature of water recommended at 45°F-90°F
Ice making cycle is normal but no ice formed.	Room temperature or water temperature in inner tank is too high	The room temperature should be 50°F-105°F, water temperature should be 45°F-90°F
	Refrigerant in cooling system leaks	Verify by a qualified technician.
	Pipe in the cooling system is blocked	Verify by a qualified technician.

## TECHNICAL SPECIFICATIONS

MODEL	94024	94025
PROTECTION TYPE	I	I
POWER	115V/60Hz	115V/60Hz
ICE MAKER CURRENT	1.7A	1.7A
ICE HARVEST CURRENT	2.0A	2.0A
REFRIGERANT	R600a 0.81Oz/23g	R600a 0.81Oz/23g
DESIGN PRESSURE HIGH SIDE	290PSI <sub>g</sub>	290PSI <sub>g</sub>
DESIGN PRESSURE LOW SIDE	88PSI <sub>g</sub>	88PSI <sub>g</sub>
VEVICANT	C <sub>5</sub> H <sub>10</sub>	C <sub>5</sub> H <sub>10</sub>
NET WEIGHT	7.7Kg	7.7Kg
ENCLOSURE	PLASTIC	PLASTIC



# PARTS DIAGRAM



- |                            |                            |                      |
|----------------------------|----------------------------|----------------------|
| 1. Power cord              | 2. Back panel              | 3. Plate inforce     |
| 4. Magnetism valve         | 5. Evaporator              | 6. Control box cover |
| 7. Main PCB                | 8. Control box             | 9. Ice making box    |
| 10. Micro switch           | 11. Inner tank bracket, LH | 12. Cam              |
| 13. Ice scoop link         | 14. Ice scoop              | 15. Back btm panel   |
| 16. Back top panel         | 17. Clear window           | 18. Displaying PCB   |
| 19. Touch pad              | 20. Front top panel        | 21. Front btm panel  |
| 22. Ice basket             | 23. Foaming asm            | 24. Water filter     |
| 25. Inner tank bracktt, RH | 26. Sychronuuous motor     | 27. Stainless wire   |
| 28. Condenser              | 29. DC Fan motor           | 30. Filter dryer     |
| 31. Copper tube filter     | 32. Silicon plug drain     | 33. Nylon plug drain |
| 34. Silicon sealing pump   | 35. DC water pump          | 36. Compressor       |
| 37. Plate bottom           | 38. Rubber foot            | 39. Air grille       |

## **PLEASE READ THE FOLLOWING CAREFULLY**

THE MANUFACTURER AND/OR DISTRIBUTOR HAS PROVIDED THE PARTS LIST AND ASSEMBLY DIAGRAM IN THIS MANUAL AS A REFERENCE TOOL ONLY. NEITHER THE MANUFACTURER OR DISTRIBUTOR MAKES ANY REPRESENTATION OR WARRANTY OF ANY KIND TO THE BUYER THAT HE OR SHE IS QUALIFIED TO MAKE ANY REPAIRS TO THE PRODUCT, OR THAT HE OR SHE IS QUALIFIED TO REPLACE ANY PARTS OF THE PRODUCT. IN FACT, THE MANUFACTURER AND/OR DISTRIBUTOR EXPRESSLY STATES THAT ALL REPAIRS AND PARTS REPLACEMENTS SHOULD BE UNDERTAKEN BY CERTIFIED AND LICENSED TECHNICIANS, AND NOT BY THE BUYER. THE BUYER ASSUMES ALL RISK AND LIABILITY ARISING OUT OF HIS OR HER REPAIRS TO THE ORIGINAL PRODUCT OR REPLACEMENT PARTS THERETO, OR ARISING OUT OF HIS OR HER INSTALLATION OF REPLACEMENT PARTS THERETO.

**Record Product's Serial Number Here:** \_\_\_\_\_

**Note:** If product has no serial number, record month and year of purchase instead.

**Note:** Some parts are listed and shown for illustration purposes only and are not available individually as replacement parts.



**SAVE THESE INSTRUCTIONS.**



### **Questions, problems, missing parts?**

Before returning to your retailer, our exceptional customer service is available.

Call us Tel: **909 628 0880**

Hour : **9am To 3pm PST (Monday to Friday)**