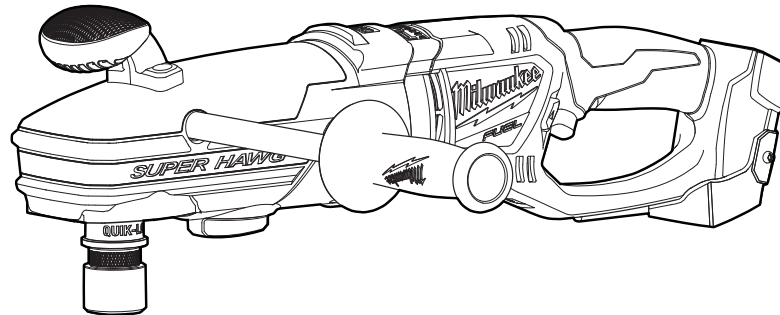
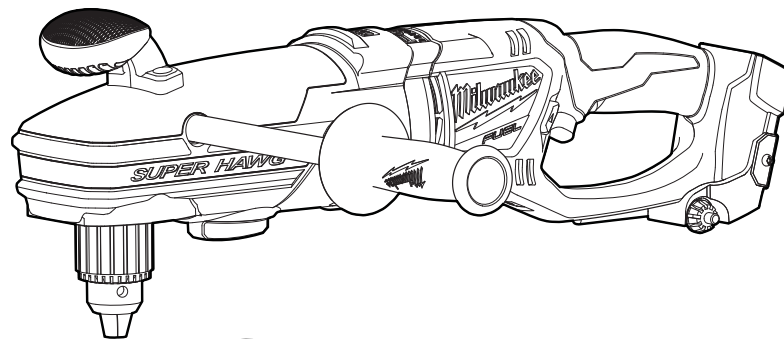




**OPERATOR'S MANUAL
MANUEL de L'UTILISATEUR
MANUAL del OPERADOR**

**Cat. No.
No de cat.
2709-20
2711-20**



**M18™ FUEL™ SUPER HAWG™ RIGHT ANGLE DRILLS
PERCEUSE SUPER HAWG™ M18™ FUEL™ DE ÉLECTRICIEN
TALADRO SUPER HAWG™ DE M18™ FUEL™ PARA ELECTRICISTAS**

TO REDUCE THE RISK OF INJURY, USER MUST READ AND UNDERSTAND OPERATOR'S MANUAL.

AFIN DE RÉDUIRE LE RISQUE DE BLESSURES, L'UTILISATEUR DOIT LIRE ET BIEN COMPRENDRE LE MANUEL DE L'UTILISATEUR.

PARA REDUCIR EL RIESGO DE LESIONES, EL USUARIO DEBE LEER Y ENTENDER EL MANUAL DEL OPERADOR.

GENERAL POWER TOOL SAFETY WARNINGS

WARNING Read all safety warnings, instructions, illustrations and specifications provided with this power tool. Failure to follow all instructions listed below may result in electric shock, fire and/or serious injury. Save all warnings and instructions for future reference. The term "power tool" in the warnings refers to your mains-operated (corded) power tool or battery-operated (cordless) power tool.

WORK AREA SAFETY

- Keep work area clean and well lit. Cluttered or dark areas invite accidents.
- Do not operate power tools in explosive atmospheres, such as in the presence of flammable liquids, gases or dust. Power tools create sparks which may ignite the dust or fumes.
- Keep children and bystanders away while operating a power tool. Distractions can cause you to lose control.

ELECTRICAL SAFETY

- Power tool plugs must match the outlet. Never modify the plug in any way. Do not use any adapter plugs with earthed (grounded) power tools. Unmodified plugs and matching outlets will reduce risk of electric shock.
- Avoid body contact with earthed or grounded surfaces, such as pipes, radiators, ranges and refrigerators. There is an increased risk of electric shock if your body is earthed or grounded.
- Do not expose power tools to rain or wet conditions. Water entering a power tool will increase the risk of electric shock.
- Do not abuse the cord. Never use the cord for carrying, pulling or unplugging the power tool. Keep cord away from heat, oil, sharp edges or moving parts. Damaged or entangled cords increase the risk of electric shock.
- When operating a power tool outdoors, use an extension cord suitable for outdoor use. Use of a cord suitable for outdoor use reduces the risk of electric shock.
- If operating a power tool in a damp location is unavoidable, use a ground fault circuit interrupter (GFCI) protected supply. Use of an GFCI reduces the risk of electric shock.

PERSONAL SAFETY

- Stay alert, watch what you are doing and use common sense when operating a power tool. Do not use a power tool while you are tired or under the influence of drugs, alcohol or medication. A moment of inattention while operating power tools may result in serious personal injury.
- Use personal protective equipment. Always wear eye protection. Protective equipment such as a dust mask, non-skid safety shoes, hard hat or hearing protection used for appropriate conditions will reduce personal injuries.
- Prevent unintentional starting. Ensure the switch is in the off-position before connecting to power source and/or battery pack, picking up or carrying the tool. Carrying power tools with your finger on the switch or energizing power tools that have the switch on invites accidents.
- Remove any adjusting key or wrench before turning the power tool on. A wrench or a key left attached to a rotating part of the power tool may result in personal injury.

- Do not overreach. Keep proper footing and balance at all times. This enables better control of the power tool in unexpected situations.
- Dress properly. Do not wear loose clothing or jewelry. Keep your hair and clothing away from moving parts. Loose clothes, jewelry or long hair can be caught in moving parts.
- If devices are provided for the connection of dust extraction and collection facilities, ensure these are connected and properly used. Use of dust collection can reduce dust-related hazards.
- Do not let familiarity gained from frequent use of tools allow you to become complacent and ignore tool safety principles. A careless action can cause severe injury within a fraction of a second.

POWER TOOL USE AND CARE

- Do not force the power tool. Use the correct power tool for your application. The correct power tool will do the job better and safer at the rate for which it was designed.
- Do not use the power tool if the switch does not turn it on and off. Any power tool that cannot be controlled with the switch is dangerous and must be repaired.
- Disconnect the plug from the power source and/or remove the battery pack, if detachable, from the power tool before making any adjustments, changing accessories, or storing power tools. Such preventive safety measures reduce the risk of starting the power tool accidentally.
- Store idle power tools out of the reach of children and do not allow persons unfamiliar with the power tool or these instructions to operate the power tool. Power tools are dangerous in the hands of untrained users.
- Maintain power tools and accessories. Check for misalignment or binding of moving parts, breakage of parts and any other condition that may affect the power tool's operation. If damaged, have the power tool repaired before use. Many accidents are caused by poorly maintained power tools.
- Keep cutting tools sharp and clean. Properly maintained cutting tools with sharp cutting edges are less likely to bind and are easier to control.
- Use the power tool, accessories and tool bits etc. in accordance with these instructions, taking into account the working conditions and the work to be performed. Use of the power tool for operations different from those intended could result in a hazardous situation.
- Keep handles and grasping surfaces dry, clean and free from oil and grease. Slippery handles and grasping surfaces do not allow for safe handling and control of the tool in unexpected situations.

BATTERY TOOL USE AND CARE

- Recharge only with the charger specified by the manufacturer. A charger that is suitable for one

type of battery pack may create a risk of fire when used with another battery pack.

- Use power tools only with specifically designated battery packs. Use of any other battery packs may create a risk of injury and fire.
- When battery pack is not in use, keep it away from other metal objects, like paper clips, coins, keys, nails, screws or other small metal objects, that can make a connection from one terminal to another. Shorting the battery terminals together may cause burns or a fire.
- Under abusive conditions, liquid may be ejected from the battery; avoid contact. If contact accidentally occurs, flush with water. If liquid contacts eyes, additionally seek medical help. Liquid ejected from the battery may cause irritation or burns.
- Do not use a battery pack or tool that is damaged or modified. Damaged or modified batteries may exhibit unpredictable behavior resulting in fire, explosion or risk of injury.
- Do not expose a battery pack or tool to fire or excessive temperature. Exposure to fire or temperature above 265°F (130°C) may cause explosion.
- Follow all charging instructions and do not charge the battery pack or tool outside the temperature range specified in the instructions. Charging improperly or at temperatures outside the specified range may damage the battery and increase the risk of fire.

SERVICE

- Have your power tool serviced by a qualified repair person using only identical replacement parts. This will ensure that the safety of the power tool is maintained.
- Never service damaged battery packs. Service of battery packs should only be performed by the manufacturer or authorized service providers.

SPECIFIC SAFETY RULES




- Use auxiliary handle(s), if supplied with the tool. Loss of control can cause personal injury.
- Hold power tool by insulated gripping surfaces, when performing an operation where the cutting accessory may contact hidden wiring. Cutting accessory contacting a "live" wire may make exposed metal parts of the power tool "live" and could give the operator an electric shock.
- Maintain labels and nameplates. These carry important information. If unreadable or missing, contact a MILWAUKEE service facility for a free replacement.
- WARNING Some dust created by power sanding, sawing, grinding, drilling, and other construction activities contains chemicals known to cause cancer, birth defects or other reproductive harm.

Some examples of these chemicals are:

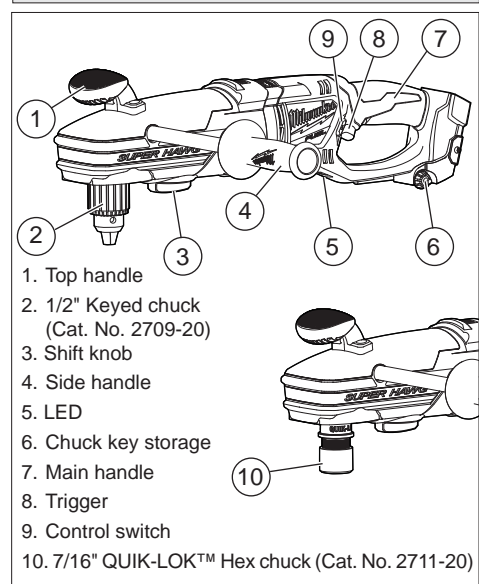
- lead from lead-based paint
- crystalline silica from bricks and cement and other masonry products, and
- arsenic and chromium from chemically-treated lumber.

Your risk from these exposures varies, depending on how often you do this type of work. To reduce your exposure to these chemicals: work in a well ventilated area, and work with approved safety equipment, such as those dust masks that are specially designed to filter out microscopic particles.

SYMBOLGY

	Volts
	Direct Current
$n_0 \text{ XXXX min.}^{-1}$	No Load Revolutions per Minute (RPM)
	Underwriters Laboratories, Inc. United States and Canada

FUNCTIONAL DESCRIPTION



1. Top handle
2. 1/2" Keyed chuck (Cat. No. 2709-20)
3. Shift knob
4. Side handle
5. LED
6. Chuck key storage
7. Main handle
8. Trigger
9. Control switch
10. 7/16" QUIK-LOK™ Hex chuck (Cat. No. 2711-20)

SPECIFICATIONS

Cat. No.	Volts DC	No Load RPM	Capacity				
			Steel	Wood			
			Twist Bit	Auger Bit	Ship Auger Bit	Selffeed Bit	Hole Saw
2709-20/2711-20	18	High 0 - 950	5/16"	1-1/2"	1-1/2"	2-9/16"	4"
		Low 0 - 350	1/2"	1-1/2"	1-1/2"	4-5/8"	6"

ASSEMBLY

WARNING Recharge only with the charger specified for the battery. For specific charging instructions, read the operator's manual supplied with your charger and battery.

Inserting/Removing the Battery

To **remove** the battery, push in the release buttons and pull the battery pack away from the tool.

To **insert** the battery, slide the pack into the body of the tool. Make sure it latches securely into place.

WARNING Always remove battery pack before changing or removing accessories. Only use accessories specifically recommended for this tool. Others may be hazardous.

Bit Selection

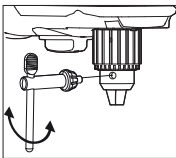
- Use sharp bits. Sharp bits are less likely to bind when drilling.
- Use the proper bit for the job. There are many types of bits designed for specific purposes. Check the information on the bit's packaging for proper usage.
- Do not use bits larger than the rated capacity of the drill. Gear damage or motor overload may result (see "Specifications").

Installing Bits

Always remove the battery before inserting or removing bits. Select the proper style and size bit for the application.

Installing Bits into Keyed Chucks (Cat. No 2709-20)

1. Remove the battery pack.
2. Open the chuck jaws wide enough to insert the bit. Be sure the bit shank and chuck jaws are clean. Dirt particles may prevent the bit from lining up properly.
3. Insert the bit into the chuck. Center the bit in the chuck jaws and lift it about 1/16" off of the bottom. Tighten the chuck jaws by hand to align the bit.
4. Place the chuck key in each of the three holes in the chuck, turning it clockwise to tighten the chuck securely.



NOTE: Never use a wrench or means other than a chuck key to tighten or loosen the chuck.

5. To remove the bit, insert the chuck key into one of the holes in the chuck and turn it counterclockwise.

Installing Bits into 7/16" QUIK-LOK™ Hex Chuck (Cat. No 2711-20)

1. Remove the battery pack.
2. To attach an accessory, press the shank into the hex drive chuck.
3. To remove the accessory, pull out the ring and remove the accessory. Release the ring.

Side Handle

The side handle can be installed on either side of the tool. To install the side handle, thread it into the socket on the desired side of the tool and tighten it securely.

OPERATION

WARNING Always remove battery pack before changing or removing accessories. Only use accessories specifically recommended for this tool. Others may be hazardous.

WARNING To reduce the risk of injury, wear safety goggles or glasses with side shields.

WARNING To reduce the risk of personal injury when drilling, hold the tool by insulated gripping surfaces when performing an operation where the cutting tool may contact hidden wiring. Contact with a "live" wire will make exposed metal parts of the tool "live" and shock the operator

WARNING To reduce the risk of injury, hold or brace securely. Always be prepared for bit binding and drill reaction.

Bit binding

If the bit binds, the drill will suddenly react in the opposite direction of the rotation of the bit. Reduce the chances of a sudden reaction by following the instructions listed below. Prepare for a sudden reaction by holding or bracing securely.

To reduce the chance of bit binding:

- Use sharp bits. Sharp bits are less likely to bind when drilling.
- Use the proper bit for the job. There are many types of bits designed for specific purposes.
- Keep selffeed bits aligned with the work surface so bits go in straight (see "Drilling").
- Avoid drilling warped, wet, knotty, and/or pitchy material if possible.
- Avoid drilling in material that you suspect contains hidden nails or other things that may cause the bit to bind.

The direction of reaction is always opposite of the direction of bit rotation. Reaction is even more likely to occur when enlarging already existing holes and at the point when the bit breaks through the other side of the material.

If the bit does bind:

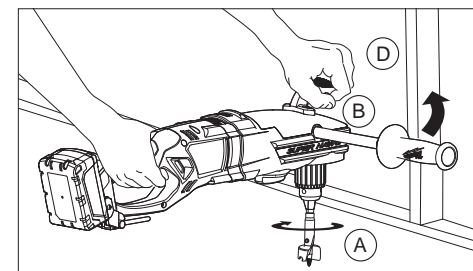
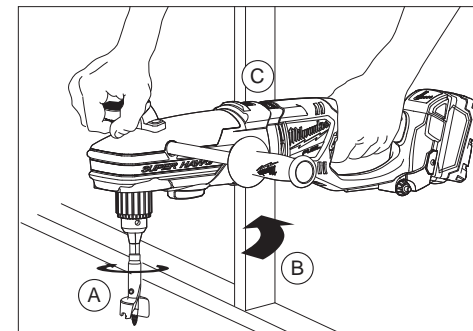
1. Release the trigger immediately.
2. Reverse the motor.
3. Remove the bit from the work and start again.
4. Do not pull the trigger on and off to attempt to start a stalled bit. This will damage the drill.

Bracing for forward rotation

When drilling in forward, the bit will rotate in a clockwise direction. If the bit binds in the hole, the bit will come to a sudden stop and drill will suddenly react in a counterclockwise direction.

The following figures show examples of properly bracing the tool for forward rotation.

- A. Forward (clockwise) rotation
 - B. Reaction
 - C. Brace drill with motor housing here
 - D. Brace drill with side handle here
- If the bit binds, the motor housing braced against the stud will hold the drill in position.



Bracing for reverse rotation

When drilling in reverse, the bit will rotate in a counterclockwise direction. If the bit binds in the hole, the bit will come to a sudden stop and the drill will suddenly react in a clockwise direction.

The following figures show examples of properly bracing the tool for reverse rotation.

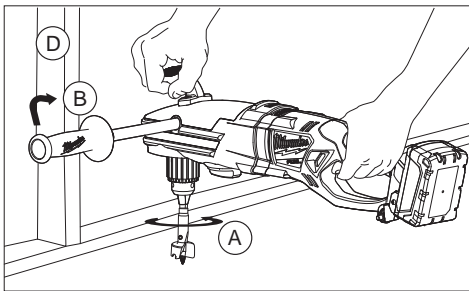
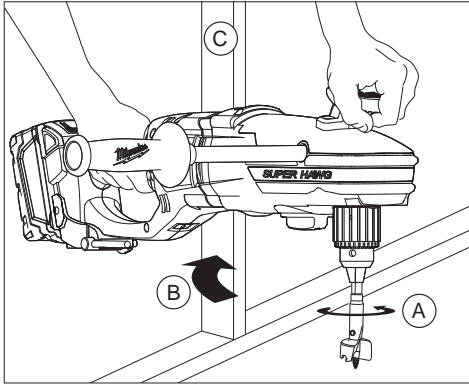
A. Reverse (counterclockwise) rotation

B. Reaction

C. Brace drill with motor housing here

D. Brace drill with side handle here

If the bit binds, the motor housing braced against the stud will hold the drill in position.



Shifting Speeds

WARNING To reduce the risk of injury and damage to the tool, shift speeds only when the drill is at a stop.

Use the shift knob to select High or Low speed. High speed (950 RPM) is the low torque setting. Low speed (350 RPM) is the high torque setting. See the "Specifications" section for bit capacity limits under high and low speeds.

Always turn off the switch and shift speeds while the tool is stopped. Never shift the drill while it is moving or when it is under load.



Reversing

A reversing switch is located opposite the trigger for removal of bits from holes. Permit the motor to come to a complete stop before reversing. Reversing the tool with the gears in motion may cause severe damage. When removing selffeed bits from partially drilled holes, flick the trigger switch when the tool is in reverse to free the threaded pilot screw. When the threads are loose, lift the bit from the workpiece with the motor stopped.

Using Control Switch

The control switch may be set to three positions: forward, reverse and lock. Due to a lockout mechanism, the control switch can only be adjusted when the trigger is not pulled. Always allow the motor to come to a complete stop before using the control switch.

For **Forward** (clockwise) rotation, push the control switch from the right side of the tool. **Check the direction of rotation before use.**

For **Reverse** (counterclockwise) rotation, push the control switch from the left side of the tool. **Check direction of rotation before use.**

To **Lock** the trigger, push the control switch to the center position. The trigger will not work while the control switch is in the center locked position. Always lock the trigger or remove the battery pack before performing maintenance, changing accessories, storing the tool and any time the tool is not in use.

WARNING To reduce the risk of injury, keep hands away from the bit and all moving parts.

Starting, Stopping and Controlling Speed

These tools may be operated at any speed from 0 to full speed.

1. To **start** the tool, pull the trigger.

NOTE: An LED is turned on when the trigger is pulled.

2. To **vary** the driving speed, increase or decrease pressure on the trigger. The further the trigger is pulled, the greater the speed.

3. To **stop** the tool, release the trigger.

WARNING To reduce the risk of explosion, electric shock and property damage, always check the work area for hidden pipes and wires before drilling.

Drilling

1. Before drilling, be sure the workpiece is clamped securely. A poorly secured piece of material may result in personal injury or inaccurate drilling. Use backing material to prevent damage to the workpiece during breakthrough. When drilling in light gauge metal or wood, use a wooden block to back up the material to prevent damage to the workpiece.

2. When starting a hole, place the drill bit on the work surface and apply firm pressure.

To start a selffeed bit, run the threaded feed screw into the work by flicking the trigger switch, permitting the bit to coast until the teeth contact the work surface. Align the bit properly before proceeding. This will reduce cocking and jamming when starting.

When drilling in metal, mark the center of the hole to be drilled with a center punch to give the bit a start and to prevent it from "walking." Lubricate the drill bit with cutting oil when drilling iron or steel. Use a coolant when drilling nonferrous metals such as copper, brass or aluminum.

3. Always apply pressure in line with the bit. Use enough pressure to keep the drill biting, but do not push hard enough to cause the bit to bind. When using twist drill bits, pull the bit out frequently to clear chips from the flutes.

When using selffeed bits, if the clutch slips, pull the bit up very slightly and then push it toward the workpiece. Repeat this several times.

4. Reduce pressure and ease the bit through the last part of the hole. While the tool is still running, pull the bit out of the hole to prevent jamming. When using selffeed bits, decrease the drilling pressure when the feed screw point breaks through the workpiece. Proceed with steady, even pressure.

MAINTENANCE

WARNING To reduce the risk of injury, always unplug the charger and remove the battery pack from the charger or tool before performing any maintenance. Never disassemble the tool, battery pack or charger. Contact a MILWAUKEE service facility for ALL repairs.

Maintaining Tool

Keep your tool, battery pack and charger in good repair by adopting a regular maintenance program. After six months to one year, depending on use, return the tool, battery pack and charger to a MILWAUKEE service facility for:

- Lubrication
- Mechanical inspection and cleaning (gears, spindles, bearings, housing, etc.)
- Electrical inspection (battery pack, charger, motor)
- Testing to assure proper mechanical and electrical operation

If the tool does not start or operate at full power with a fully charged battery pack, clean the contacts on the battery pack. If the tool still does not work properly, return the tool, charger and battery pack, to a MILWAUKEE service facility for repairs.

WARNING To reduce the risk of personal injury and damage, never immerse your tool, battery pack or charger in liquid or allow a liquid to flow inside them.

Cleaning

Clean dust and debris from charger and tool vents. Keep tool handles clean, dry and free of oil or grease. Use only mild soap and a damp cloth to clean the tool, battery pack and charger since certain cleaning agents and solvents are harmful to plastics and other insulated parts. Some of these include gasoline, turpentine, lacquer thinner, paint thinner, chlorinated cleaning solvents, ammonia and household detergents containing ammonia. Never use flammable or combustible solvents around tools.

Repairs

For repairs, return the tool, battery pack and charger to the nearest service center.

ACCESSORIES

WARNING Always remove battery pack before changing or removing accessories. Only use accessories specifically recommended for this tool. Others may be hazardous.

For a complete listing of accessories refer to your MILWAUKEE Electric Tool catalog or go online to www.milwaukeetool.com. To obtain a catalog, contact your local distributor or service center.

LIMITED WARRANTY - USA AND CANADA

Every **MILWAUKEE** power tool (including cordless product – tool, battery pack(s) - see separate & distinct **CORDLESS BATTERY PACK LIMITED WARRANTY** statements & battery charger and Work Lights*) is warranted to the original purchaser only to be free from defects in material and workmanship. Subject to certain exceptions, **MILWAUKEE** will repair or replace any part on an electric power tool which, after examination, is determined by **MILWAUKEE** to be defective in material or workmanship for a period of five (5) years* after the date of purchase unless otherwise noted. Return of the power tool to a **MILWAUKEE** factory Service Center location or **MILWAUKEE** Authorized Service Station, freight prepaid and insured, is required. A copy of the proof of purchase should be included with the return product. This warranty does not apply to damage that **MILWAUKEE** determines to be from repairs made or attempted by anyone other than **MILWAUKEE** authorized personnel, misuse, alterations, abuse, normal wear and tear, lack of maintenance, or accidents.

*The warranty period for, Job Site Radios, M12™ Power Port, M18™ Power Source, Jobsite Fan and Trade Titan™ Industrial Work Carts is one (1) year from the date of purchase. The warranty period for a LED Work Light and LED Upgrade Bulb is a limited LIFETIME warranty to the original purchaser only, if during normal use the LED bulb fails the Work Light or Upgrade Bulb will be replaced free of charge.

*This warranty does not cover Air Nailers & Stapler, Airless Paint Sprayer, Cordless Battery Packs, Gasoline Driven Portable Power Generators, Hand Tools, Hoist – Electric, Lever & Hand Chain, M12™ Heated Jackets, Reconditioned product and Test & Measurement products. There are separate and distinct warranties available for these products.

Warranty Registration is not necessary to obtain the applicable warranty on a **MILWAUKEE** power tool product. The manufacturing date of the product will be used to determine the warranty period if no proof of purchase is provided at the time warranty service is requested.

ACCEPTANCE OF THE EXCLUSIVE REPAIR AND REPLACEMENT REMEDIES DESCRIBED HEREIN IS A CONDITION OF THE CONTRACT FOR THE PURCHASE OF EVERY **MILWAUKEE** PRODUCT. IF YOU DO NOT AGREE TO THIS CONDITION, YOU SHOULD NOT PURCHASE THE PRODUCT. IN NO EVENT SHALL **MILWAUKEE** BE LIABLE FOR ANY INCIDENTAL, SPECIAL, CONSEQUENTIAL OR PUNITIVE DAMAGES, OR FOR ANY COSTS, ATTORNEY FEES, EXPENSES, LOSSES OR DELAYS ALLEGED TO BE AS A CONSEQUENCE OF ANY DAMAGE TO, FAILURE OF, OR DEFECT IN ANY PRODUCT INCLUDING, BUT NOT LIMITED TO, ANY CLAIMS FOR LOSS OF PROFITS. SOME STATES DO NOT ALLOW THE EXCLUSION OR LIMITATION OF INCIDENTAL OR CONSEQUENTIAL DAMAGES, SO THE ABOVE LIMITATION OR EXCLUSION MAY NOT APPLY TO YOU. THIS WARRANTY IS EXCLUSIVE AND IN LIEU OF ALL OTHER EXPRESS WARRANTIES, WRITTEN OR ORAL. TO THE EXTENT PERMITTED BY LAW, **MILWAUKEE** DISCLAIMS ANY IMPLIED WARRANTIES, INCLUDING WITHOUT LIMITATION ANY IMPLIED WARRANTY OF MERCHANTABILITY OR FITNESS FOR A PARTICULAR USE OR PURPOSE; TO THE EXTENT SUCH DISCLAIMER IS NOT PERMITTED BY LAW, SUCH IMPLIED WARRANTIES ARE LIMITED TO THE DURATION OF THE APPLICABLE EXPRESS WARRANTY AS DESCRIBED ABOVE. SOME STATES DO NOT ALLOW LIMITATIONS ON HOW LONG AN IMPLIED WARRANTY LASTS, SO THE ABOVE LIMITATION MAY NOT APPLY TO YOU, THIS WARRANTY GIVES YOU SPECIFIC LEGAL RIGHTS, AND YOU MAY ALSO HAVE OTHER RIGHTS WHICH VARY FROM STATE TO STATE. This warranty applies to product sold in the U.S.A. and Canada only.

Please consult the 'Service Center Search' in the Parts & Service section of **MILWAUKEE**'s website www.milwaukeekeetool.com or call **1.800.SAWDUST (1.800.729.3878)** to locate your nearest service facility for warranty and non-warranty service on a Milwaukee electric power tool.

LIMITED WARRANTY - MEXICO, CENTRAL AMERICA AND CARIBBEAN

TECHTRONIC INDUSTRIES' warranty is for 5 year since the original purchase date.

This warranty card covers any defect in material and workmanship on this Power Tool.

To make this warranty valid, present this warranty card, sealed/stamped by the distributor or store where you purchased the product, to the Authorized Service Center (ASC). Or, if this card has not been sealed/stamped, present the original proof of purchase to the ASC.

Call toll-free 1 800 832 1949 to find the nearest ASC, for service, parts, accessories or components.

Procedure to make this warranty valid

Take the product to the ASC, along with the warranty card sealed/stamped by the distributor or store where you purchased the product, and there any faulty piece or component will be replaced without cost for you. We will cover all freight costs relative with this warranty process.

Exceptions

This warranty is not valid in the following situations:

a) When the product is used in a different manners from the end-user guide or instruction manual.

b) When the conditions of use are not normal.

c) When the product was modified or repaired by people not authorized by TECHTRONIC INDUSTRIES.

Note: If cord set is damaged, it should be replaced by an Authorized Service Center to avoid electric risks.

Model: _____

Date of Purchase: _____

Distributor or Store Stamp: _____

SERVICE AND ATTENTION CENTER
Av Presidente Mazarik 29 Piso 7, 11570 Chapultepec Morales
Miguel Hidalgo, Distrito Federal, Mexico
Ph. 52 55 4160-3547

IMPORTED AND COMMERCIALIZED BY:
TECHTRONIC INDUSTRIES MEXICO, .S.A. DE C.V.
Av Presidente Mazarik 29 Piso 7, 11570 Chapultepec Morales
Miguel Hidalgo, Distrito Federal, Mexico

RÈGLES DE SÉCURITÉ GÉNÉRALES RELATIVES AUX OUTILS ÉLECTRIQUES



AVERTISSEMENT Lire toutes les consignes de sécurité, consignes, illustrations et spécifications fournies avec cet outil électrique. Ne pas suivre l'ensemble des règles et instructions peut entraîner une électrocution, un incendie ou des blessures graves. Conserver les règles et les instructions à des fins de référence ultérieure. Le terme «outil électrique» figurant dans les avertissements ci-dessous renvoie à l'outil électrique à alimentation par le réseau (à cordon) ou par batterie (sans fil).

SÉCURITÉ DU LIEU DE TRAVAIL

- Veillez à ce que l'aire de travail soit propre et bien éclairée. Le désordre et le manque de lumière favorisent les accidents.
- Ne pas utiliser d'outils électriques dans des atmosphères explosives, par exemple en présence de liquides, gaz ou poussières inflammables. Les outils électriques produisent des étincelles risquant d'enflammer les poussières ou vapeurs.
- S'assurer que les enfants et les curieux se trouvent à une bonne distance au moment d'utiliser un outil électrique. Les distractions peuvent causer une perte de contrôle.

SÉCURITÉ ÉLECTRIQUE

- Les fiches des outils électriques doivent correspondre à la prise secteur utilisée. Ne jamais modifier la fiche, de quelque façon que ce soit. Ne jamais utiliser d'adaptateurs de fiche avec des outils mis à la terre. Les fiches et prises non modifiées réduisent le risque de choc électrique.
- Éviter tout contact avec des surfaces mises à la terre comme des tuyaux, des radiateurs, des cuisinières et des réfrigérateurs. Le risque de choc électrique est accru lorsque le corps est mis à la terre.
- Ne pas exposer les outils électriques à l'eau ou l'humidité. La pénétration d'eau dans ces outils accroît le risque de choc électrique.
- Ne pas maltraiter le cordon d'alimentation. Ne jamais utiliser le cordon d'alimentation pour transporter l'outil électrique et ne jamais débrancher ce dernier en tirant sur le cordon. Garder le cordon à l'écart de la chaleur, de l'huile, des objets tranchants et des pièces en mouvement. Un cordon endommagé ou emmêlé accroît le risque de choc électrique.
- Pour les travaux à l'extérieur, utiliser un cordon spécialement conçu à cet effet. Utiliser un cordon conçu pour l'usage extérieur réduit les risques de choc électrique.
- Si l'utilisation d'un outil électrique est inévitable dans un endroit humide, utiliser une source d'alimentation munie d'un disjoncteur de fuite de terre. L'utilisation d'un disjoncteur de fuite de terre réduit le risque de choc électrique.

SÉCURITÉ INDIVIDUELLE

- Rester attentif, prêter attention au travail et faire preuve de bon sens lors de l'utilisation de tout outil électrique. Ne pas utiliser cet appareil en cas de fatigue ou sous l'influence de l'alcool, de drogues ou de médicaments. Un moment d'inattention pendant l'utilisation d'un outil électrique peut entraîner des blessures graves.
- Porter l'équipement de protection individuel requis. Toujours porter une protection oculaire. Selon les conditions, porter aussi un masque antipoussières, des bottes de sécurité antidérapantes,

un casque protecteur ou une protection auditive afin de réduire les blessures.

- Empêcher les démarrages accidentels. S'assurer que la gâchette est en position d'arrêt avant de brancher l'outil à une source de courant, d'insérer la batterie, de le ramasser ou de le transporter. Le fait de transporter un outil électrique en gardant le doigt sur la gâchette ou de mettre sous tension un outil électrique lorsque la gâchette est en position de marche favorise les accidents.
- Retirer les clés de réglage avant de mettre l'outil en marche. Une clé laissée sur une pièce rotative de l'outil peut causer des blessures.
- Ne pas travailler hors de portée. Toujours se tenir bien campé et en équilibre. Une bonne stabilité procure un meilleur contrôle de l'outil électrique en cas d'imprévus.
- Porter une tenue appropriée. Ne porter ni vêtements amples, ni bijoux. Garder les cheveux et les vêtements à l'écart des pièces en mouvement. Les vêtements flottants, les bijoux ou les cheveux longs risquent d'être happés par les pièces en mouvement.
- Si les outils sont équipés de dispositifs de dépoussiérage, s'assurer qu'ils sont connectés et correctement utilisés. L'utilisation d'un collecteur de poussière permet de réduire les dangers liés à la poussière.
- Ne pas laisser la familiarité avec l'outil acquise par une utilisation fréquente vous rendre suffisant et vous amener à ignorer les règles de sécurité. Une utilisation négligée peut causer une blessure grave en une fraction de seconde.

UTILISATION ET ENTRETIEN DE L'OUTIL ÉLECTRIQUE

- Ne pas forcer l'outil électrique. Utiliser l'outil électrique approprié pour l'application. Un outil électrique approprié exécutera le travail mieux et de façon moins dangereuse s'il est utilisé dans les limites prévues.
- Ne pas utiliser l'outil électrique si le commutateur ne permet pas de le mettre en marche ou de l'arrêter. Tout outil électrique qui ne peut pas être contrôlé par son commutateur est dangereux et doit être réparé.
- Débrancher l'outil et/ou retirer le bloc-piles, si possible, avant d'effectuer des réglages, de changer d'accessoire ou de remiser l'outil. Ces mesures de sécurité préventives réduisent les risques de démarrage accidentel de l'outil.
- Entreposer l'outil électrique hors de la portée des enfants et interdire à quiconque de l'utiliser si la personne ne connaît pas bien le produit ou les instructions. Les outils électriques sont dangereux dans les mains d'utilisateurs novices.
- Entretenir les outils électriques et les accessoires. Vérifier qu'aucune pièce mobile n'est mal alignée ou bloquée, qu'aucune pièce n'est brisée et s'assurer qu'aucun autre problème risque

d'affecter le bon fonctionnement de l'outil. En cas de dommages, faire réparer l'outil avant de l'utiliser. Plusieurs accidents sont causés par des produits mal entretenus.

• **Garder les outils bien affûtés et propres.** Des outils correctement entretenus et dont les tranchants sont bien affûtés risquent moins de se bloquer et sont plus faciles à contrôler.

• **Utiliser l'outil électrique, les accessoires, les embouts etc. conformément à ces instructions en tenant compte des conditions de travail et de la tâche à effectuer.** L'usage d'un outil électrique pour des applications pour lesquelles il n'est pas conçu peut être dangereux.

• **Garder les poignées et les surfaces de préhension sèches, propres et exemptes d'huile ou de graisse.** Des poignées et des surfaces de préhension glissantes ne permettent pas de manipuler et de contrôler l'outil en toute sécurité en cas de situation imprévue.

UTILISATION ET ENTRETIEN DE LA BATTERIE

• **Pour recharger le bloc-piles, utiliser seulement le chargeur spécifié par le fabricant.** Un chargeur pouvant convenir à un type de bloc-piles peut entraîner un risque d'incendie lorsqu'il est utilisé avec un autre type de bloc-piles.

• **N'utiliser l'outil électrique qu'avec une batterie recommandée.** L'utilisation de tout autre bloc-piles peut créer un risque de blessures et d'incendie.

• **Lorsque le bloc-piles n'est pas utilisé, le tenir éloigné des objets en métal tels que les trombones, les pièces de monnaie, les clés, les clous, les vis ou d'autres petits objets métalliques qui pourraient connecter les bornes.** Le court-circuitage des bornes d'une pile peut entraîner des brûlures ou un incendie.

• **Éviter tout contact avec le liquide pouvant être éjecté de la pile en cas de manutention abusive.** En cas de contact accidentel, rincer immédiatement les parties atteintes avec de l'eau. Si le liquide entre en contact avec les yeux, consulter un médecin. Le liquide éjecté des piles peut causer des irritations ou des brûlures.

• **N'utiliser aucun bloc-piles ni aucun outil ayant été endommagé ou modifié.** Des piles endommagées ou modifiées peuvent adopter un comportement imprévisible pouvant causer un incendie, une explosion ou le risque de blessures.

• **Ne pas exposer le bloc-piles ou l'outil aux flammes ou à une température excessive.** Une exposition aux flammes ou à une température supérieure à 130°C (265°F) peut causer une explosion.

• **Suivre toutes les instructions de charge et ne pas charger le bloc-piles ou l'outil en dehors de la plage de température spécifiée.** Une charge incorrecte ou à des températures en dehors de la plage spécifiée peut endommager la pile et augmenter le risque d'incendie.

ENTRETIEN

• **Les réparations de l'outil électrique doivent être confiées à un technicien qualifié, utilisant exclusivement des pièces identiques à celles d'origine.** Le maintien de la sûreté de l'outil électrique sera ainsi assuré.

• **Ne jamais effectuer la réparation d'un bloc-piles endommagé.** La réparation du bloc-piles doit être réalisée par le fabricant ou les fournisseurs de service agréés uniquement.

RÈGLES DE SÉCURITÉ SPÉCIFIQUES

• **Utiliser les poignée(s) auxiliaire(s) si elles sont fournie(s) avec l'outil.** La perte de contrôle peut causer des blessures.

• **Tenir les outils par ses surfaces de préhension isolées lors des opérations pendant lesquelles l'accessoire de coupe peut entrer en contact avec du câblage caché ou avec son propre cordon d'alimentation.** Le contact d'un accessoire de coupe avec un fil sous tension « électrifie » les pièces métalliques exposées de l'outil et peut électrocuter l'utilisateur.

• **Entretenez les étiquettes et marqués di fabricant.** Les indications qu'elles contiennent sont précieuses. Si elles deviennent illisibles ou se détachent, faites-les remplacer gratuitement à un centre de service MILWAUKEE accrédité.

• **AVERTISSEMENT :** Certaines poussières générées par les activités de ponçage, de coupe, de rectification, de perçage et d'autres activités de construction contiennent des substances considérées être la cause de malformations congénitales et de troubles de l'appareil reproducteur. Parmi ces substances figurent :

- le plomb contenu dans les peintures à base de plomb;
- la silice cristalline des briques, du ciment et d'autres matériaux de maçonnerie, ainsi que
- l'arsenic et le chrome des sciages traités chimiquement.

Les risques encourus par l'opérateur envers ces expositions varient en fonction de la fréquence de ce type de travail. Pour réduire l'exposition à ces substances chimiques, l'opérateur doit travailler dans une zone bien ventilée et porter l'équipement de sécurité approprié, tel qu'un masque anti-poussière spécialement conçu pour filtrer les particules microscopiques.

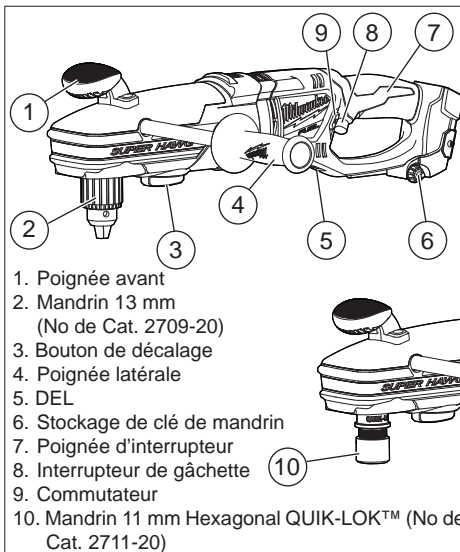
PICTOGRAPHIE

	Volts
	Tension CD seul.
n_0 XXXX min. ⁻¹	Tours-minute à vide (RPM)
	Underwriters Laboratories, Inc., États-Unis et Canada

SPECIFICATIONS

No de Cat.	Volts CD	T/Min. à vide	Capacité				
			Acier		Bois		
			Mèche hélicoïdale	Mèche hélicoïdale	Mèche à simple spirale	Mèche à auto-avance	Scie-cloche
2709-20/2711-20	18	Élevée 0 - 950 Faible 0 - 350	8 mm (5/16") 13 mm (1/2")	38 mm (1-1/2") 38 mm (1-1/2")	38 mm (1-1/2") 38 mm (1-1/2")	65 mm (2-9/16") 117 mm (4-5/8")	102 mm (4") 152 mm (6")

DESCRIPTION FONCTIONNELLE



1. Poignée avant
2. Mandrin 13 mm (No de Cat. 2709-20)
3. Bouton de décalage
4. Poignée latérale
5. DEL
6. Stockage de clé de mandrin
7. Poignée d'interrupteur
8. Interrupteur de gâchette
9. Commutateur
10. Mandrin 11 mm Hexagonal QUIK-LOK™ (No de Cat. 2711-20)

MONTAGE DE L'OUTIL

AVERTISSEMENT Ne recharger la batterie qu'avec le chargeur spécifié. Pour les instructions de charge spécifiques, lire le manuel d'utilisation fourni avec le chargeur et les batteries.

Insertion/Retrait de la batterie

Pour retirer la batterie, enfoncez les boutons de déverrouillage et la tirer hors de l'outil. Pour insérer la batterie, la glisser dans le corps de l'outil. S'assurer qu'elle est fixée solidement.

AVERTISSEMENT Il faut toujours retirer la batterie et verrouiller la détente de l'outil avant de changer ou d'enlever les accessoires. L'emploi d'accessoires autres que ceux qui sont expressément recommandés pour cet outil peut comporter des risques.

Sélection de la mèche.

• Utilisez des mèches aiguisées. Les mèches aiguisées risquent moins de se coincer pendant le perçage.

• Utilisez la mèche qui convient à la tâche. Plusieurs mèches sont conçues pour des tâches particulières. Vérifiez l'information sur l'emballage de la mèche pour l'utiliser correctement.

• N'utilisez pas des mèches plus grosses que la capacité nominale de la perceuse. Sinon, le moteur peut être surchargé ou les engrenages endommagés (voir « Spécifications »).

Installation des embouts

Toujours retirer la batterie avant d'insérer ou de retirer un embout. Choisir un embout dont le type et la taille conviennent au type de vis utilisé.

Installation des mèches dans les mandrins à clé (No de Cat. 2709-20)

1. Retirez la pile.
2. Ouvrez suffisamment les mâchoires du mandrin pour y insérer la mèche. Assurez-vous que la queue de la mèche et les mâchoires du mandrin sont propres. Des particules de poussière peuvent fausser l'alignement de la mèche.

3. Insérez la mèche dans le mandrin. Centrez la mèche dans les mâchoires du mandrin et levez-la à environ 1,6 mm (1/16") du fond. Serrez à la main les mâchoires du mandrin pour aligner l'embout.

4. Placez la clé de mandrin dans chacun des trois trous du mandrin et tournez dans le sens horaire pour le fixer fermement.

N.B. : N'utilisez pas de clé ou un autre outil que la clé de mandrin pour le serrer ou le desserrer.

5. Pour enlever la mèche, insérez la clé de mandrin dans un des trous du mandrin et tournez dans le sens antihoraire.

Installation des mèches dans les mandrins 11 mm (7/16") Hexagonal QUIK-LOK™ (No de Cat. 2711-20)

1. Retirez la pile.
2. Pour attacher un accessoire, enfoncez la queue dans le mandrin d'entraînement hexagonal.
3. Pour retirer l'accessoire, tirez l'anneau et enlever l'accessoire. Relâcher l'anneau.

Poignée latérale

La poignée latérale peut être installée des deux côtés de l'outil. Pour l'installer, filetez-la dans la douille du côté voulu et serrez fermement.

MANIEMENT

AVERTISSEMENT Il faut toujours retirer la batterie et verrouiller la détente de l'outil avant de changer ou d'enlever les accessoires. L'emploi d'accessoires autres que ceux qui sont expressément recommandés pour cet outil peut comporter des risques.

AVERTISSEMENT Pour minimiser les risques de blessures, portez des lunettes à coques latérales.

AVERTISSEMENT Pour réduire les risques de blessures pendant le perçage, maintenez l'outil par les surfaces de saisie isolées lorsque l'outil de coupe peut entrer en contact avec des fils cachés. Le contact d'une partie métallique de l'outil avec un fil « sous tension » comporte un risque de choc électrique.

AVERTISSEMENT Pour réduire les risques de blessures, maintenez ou soutenez de façon sécuritaire. Surveillez toujours que la mèche ne se coince pas ou que l'outil n'ait pas de mouvement imprévu.

Coincement de la mèche

Si la mèche se coince, la perceuse réagit en inversant subitement le sens de rotation de la mèche. Réduisez les risques de réaction soudaine en suivant les instructions ci-dessous. Soyez prêt à répondre à une réaction soudaine en maintenant ou en retenant de façon sécuritaire.

Pour réduire les risques de coincer la mèche :

- Utilisez des mèches aiguisées. Les mèches aiguisées risquent moins de se coincer pendant le perçage.
- Utilisez la mèche qui convient à la tâche. Plusieurs mèches sont conçues pour des tâches particulières.
- Gardez les mèches à auto-avance alignées avec la surface de travail pour qu'elles percent en ligne droite (voir « Perçage »).
- Évitez de percer des matériaux ondulés, humides, noueux et (ou) en mauvais état.
- Évitez de percer des matériaux qui pourraient contenir des clous cachés ou d'autres éléments qui risquent de coincer la mèche.

La direction de la réaction est toujours à l'opposé de la direction de la rotation. Une réaction est encore plus prévisible lorsque vous élargissez des trous existants et au point où la mèche perce l'autre côté du matériau.

Si la mèche se coince :

1. Relâchez immédiatement la gâchette.
2. Inversez le sens de rotation du moteur.
3. Retirez la mèche de la pièce et recommencez.
4. N'appuyez pas sur la gâchette pour la relâcher immédiatement afin d'essayer de dégager une mèche coincée. Ceci va endommager la mèche.

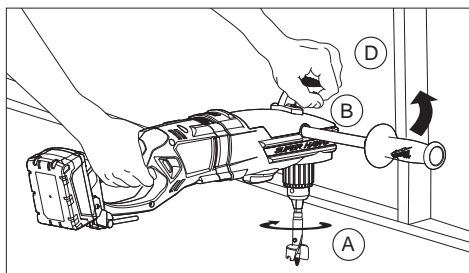
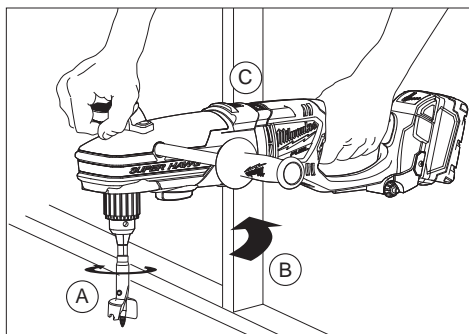
Maintien ferme pour une rotation avant

Si vous percez vers l'avant, la mèche tourne dans le sens horaire. Si la mèche se coince dans le trou, elle s'arrête soudainement et réagit en tournant dans le sens antihoraire.

Un exemple d'une foreuse Super Hawg™ correctement étagée pour la rotation avant :

- A. Rotation vers l'avant (sens horaire)
- B. Réaction
- C. Étalez la foreuse en plaçant le boîtier du moteur ici.
- D. Maintenez fermement la perceuse par la poignée latéral ici.

Si la mèche se coince, le boîtier maintenus fermement contre le montant maintiendront la position de la mèche.



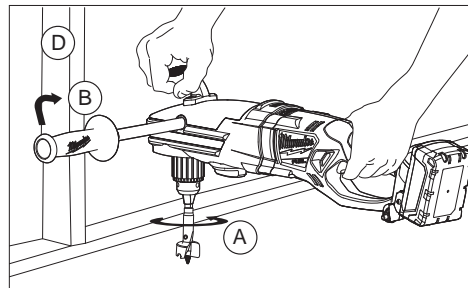
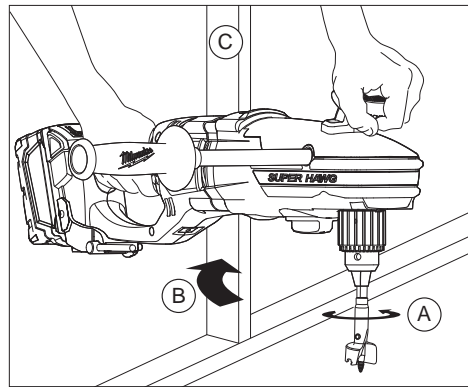
Maintien ferme pour une rotation arrière

Si vous percez vers l'arrière, la mèche tourne dans le sens antihoraire. Si la mèche se coince dans le trou, elle s'arrête soudainement et réagit en tournant dans le sens horaire.

Un exemple d'une foreuse Super Hawg™ correctement étagée pour la rotation arrière :

- A. Rotation vers l'avant (sens horaire)
- B. Réaction
- C. Étalez la foreuse en plaçant le boîtier du moteur ici.
- D. Maintenez fermement la perceuse par la poignée latéral ici.

Si la mèche se coince, le boîtier maintenus fermement contre le montant maintiendront la position de la mèche.



Changement de vitesses

AVERTISSEMENT Pour réduire les risques de blessures et éviter de causer des dommages, changez la vitesse seulement lorsque le moteur de la perceuse ne tourne pas.

Utilisez le bouton de décalage pour sélectionner une vitesse rapide ou lente. Vitesse rapide (950 tr/min) correspond au réglage de couple bas. Vitesse lente (350 tr/min) correspond au réglage de couple élevé. Voir la section des « Spécifications » pour vous informer des limites de capacité des mèches à des vitesses rapides ou lentes.

Placez toujours le commutateur à la position d'arrêt et changez de vitesse lorsque le moteur de l'outil ne tourne plus. Ne changez jamais la vitesse de la perceuse lorsqu'elle tourne ou lorsqu'elle est sous tension.



Inversion

Un contacteur inverseur est situé à l'opposé de la gâchette pour retirer les mèches des trous. Il permet au moteur d'arrêter complètement avant d'activer l'inversion. Une inversion du sens de rotation du moteur pendant qu'il tourne peut endommager gravement l'outil. Lorsque vous enlevez les mèches à auto-avance de trous partiellement percés, donnez un petit coup à l'interrupteur de gâchette lorsque l'outil est en mode inversé pour dégager la vis pilote fileté. Lorsque les filetages sont dégagés, soulevez la mèche de la pièce une fois le moteur est arrêté.

Utilisation du commutateur

Le commutateur peut être réglé sur trois positions: marche avant, marche arrière et verrouillée. En raison d'un mécanisme de verrouillage, le commutateur ne peut être réglé que lorsque la commande MARCHE/ARRÊT n'est pas enfoncée. Toujours laisser le moteur s'arrêter complètement avant d'utiliser le commutateur.

Pour une rotation en marche **avant** (dans le sens horaire), pousser le commutateur droit à partir côté de l'outil. **Vérifier la direction de rotation avant utilisation.**

Pour une rotation en marche **arrière** (dans le sens anti-horaire), pousser le commutateur gauche à partir côté de l'outil. **Vérifier la direction de rotation avant utilisation.**

Pour **verrouiller** la détente, pousser le commutateur vers la position centrale. La détente ne fonctionne pas tant que le commutateur est sur la position verrouillée centrale. Toujours verrouiller la détente ou déposer la batterie avant d'effectuer un entretien, de changer d'accessoire, de remiser l'outil et toutes les fois que l'outil est inutilisé.

AVERTISSEMENT Pour réduire les risques de blessures, maintenez vos mains à l'écart du foret ou de la mèche et de toutes les pièces mobiles.

Démarrage, arrêt et contrôle de vitesse

Ces outils peuvent être utilisés à n'importe quelle vitesse entre 0 et le plein régime.

1. Pour mettre l'outil en marche, appuyez sur la détente.
N.B. : LED allume quand la détente est tirée.
2. Pour varier la vitesse de rotation, il s'agit simplement d'augmenter ou de diminuer la pression sur la détente. Plus la détente est enfoncée, plus la vitesse de rotation est grande.
3. Pour arrêter l'outil, relâchez la gâchette.

AVERTISSEMENT Pour réduire les risques d'explosion, de chocs électriques et de dommages à la propriété, vérifiez toujours que la zone de travail ne contient pas de tuyaux ou de câbles cachés avant de commencer à percer.

Perçage

1. Avant de commencer à percer, assurez-vous que la pièce est fixée solidement. Une pièce mal fixée peut entraîner des blessures ou un perçage incorrect. Utilisez du matériel de renfort pour éviter d'endommager la pièce pendant qu'elle est entamée. Lors du perçage du bois ou du métal de faible calibre, utilisez des blocs de bois pour appuyer le matériau et éviter d'endommager la pièce.
2. Au début du perçage d'un trou, placez le foret ou la mèche sur la surface de travail et appliquez une pression ferme.
Pour entamer avec une mèche à auto-avance, enfoncez la vis d'auto-avance fileté dans la pièce en appuyant par petits coups sur l'interrupteur de gâchette afin de laisser la mèche tourner par inertie jusqu'à ce qu'elle entre en contact avec la surface de la pièce. Alignez correctement la mèche avant de procéder. Cette méthode permet de réduire le relevage et le blocage pendant le démarrage.
Lors du perçage dans le métal, marquez le centre du trou à percer avec un centrage au pointeau pour que la mèche s'engage plus facilement et sans « trotter ». Lubrifiez la mèche avec de l'huile de coupe lors du perçage dans le fer ou dans l'acier. Utilisez un fluide de refroidissement lors du perçage de métaux non-ferreux comme le cuivre, le laiton ou l'aluminium.
3. Appliquez toujours la pression dans l'alignement du foret ou de la mèche. Appliquez suffisamment de pression pour faire mordre la mèche, mais pas au point qu'elle se coince.
Lorsque vous utilisez des forets ou des mèches hélicoïdales, retirez-les fréquemment pour enlever les copeaux des goujures.
Lorsque vous utilisez des mèches à auto-avance, si l'embrayage glisse, retirez très légèrement la mèche puis poussez-la vers la pièce. Répétez plusieurs fois cette opération.

4. Réduisez la pression et dégagez le foret ou la mèche vers la fin du trou. Tirez le foret ou la mèche hors du trou pendant que la perceuse tourne encore, afin d'éviter un blocage.
Lorsque vous utilisez des mèches à auto-avance, réduisez la pression de perçage lorsque la pointe de la vis d'auto-avance passe au travers du matériau. Appliquez une pression régulière et uniforme.

ENTRETIEN

AVERTISSEMENT Pour minimiser les risques de blessures corporelles, débranchez le chargeur et retirez la batterie du chargeur ou de l'outil avant d'y effectuer des travaux d'entretien. Ne démontez jamais l'outil, la batterie ou le chargeur. Pour toute réparation, consultez un centre de service MILWAUKEE accrédité.

Entretien de l'outil

Gardez l'outil, la batterie et le chargeur en bon état en adoptant un programme d'entretien ponctuel. Après une période de six mois à un an, selon l'utilisation, renvoyez l'outil, la batterie et le chargeur à un centre de service MILWAUKEE accrédité pour les services suivants:

- Lubrification
- Inspection et nettoyage de la mécanique (engrenages, pivots, coussinets, boîtier etc.)
- Inspection électrique (batterie, chargeur, moteur)
- Vérification du fonctionnement électromécanique

Si l'outil ne démarre pas ou ne fonctionne pas à pleine puissance alors qu'il est branché sur une batterie complètement chargée, nettoyez les points de contact entre la batterie et l'outil. Si l'outil ne fonctionne toujours pas correctement, renvoyez l'outil, le chargeur et la batterie à un centre de service MILWAUKEE accrédité, afin qu'on en effectue la réparation (voir "Réparations").

AVERTISSEMENT Pour minimiser les risques de blessures ou de dommages à l'outil, n'immergez jamais l'outil, la batterie ou le chargeur et ne laissez pas de liquide s'y infiltrer.

Nettoyage

Débarrassez les événements du chargeur et de l'outil des débris et de la poussière. Gardez les poignées de l'outil propres, à sec et exemptes d'huile ou de graisse. Le nettoyage de l'outil, du chargeur et de la batterie doit se faire avec un linge humide et un savon doux. Certains nettoyants tels l'essence, la térébenthine, les diluants à laque ou à peinture, les solvants chlorés, l'ammoniaque et les détergents d'usage domestique qui en contiennent pourraient détériorer le plastique et l'isolation des pièces. Ne laissez jamais de solvants inflammables ou combustibles auprès de l'outil.

Réparations

Pour les réparations, retournez outil, batterie et chargeur en entier au centre-service le plus près.

ACCESOIRES

AVERTISSEMENT Retirez toujours la batterie avant de changer ou d'enlever les accessoires. L'utilisation d'autres accessoires que ceux qui sont spécifiquement recommandés pour cet outil peut comporter des risques.

Pour une liste complète des accessoires, prière de se reporter au catalogue MILWAUKEE Electric Tool ou visiter le site internet www.milwaukeeetool.com. Pour obtenir un catalogue, il suffit de contacter votre distributeur local ou l'un des centres-service.

GARANTIE LIMITÉE - AUX ÉTATS-UNIS ET AU CANADA

Chaque outil électrique MILWAUKEE (y compris les produits sans fil [outils, piles, chargeur de piles, lampe de travail]; consulter les énoncés de la GARANTIE LIMITÉE DES BLOCS-PILES SANS FIL) est garanti à l'acheteur d'origine être exempt de vice de matériau et de fabrication. Sous réserve de certaines exceptions, MILWAUKEE réparera ou remplacera toute pièce d'un outil électrique qui, après examen par MILWAUKEE, s'est avérée être affectée d'un vice de matériau ou de fabrication pendant une période de cinq (5) ans* après la date d'achat, sauf indication contraire. Retourner l'outil électrique, à un centre de réparations en usine MILWAUKEE ou à un poste d'entretien agréé MILWAUKEE, en port prépayé et assuré. Une copie de la preuve d'achat doit être présentée au moment de retourner le produit. Cette garantie ne couvre pas les dommages que MILWAUKEE détermine être causés par des réparations ou des tentatives de réparation par quiconque autre que le personnel agréé par MILWAUKEE, des utilisations incorrectes, des altérations, des utilisations abusives, une usure normale, une carence d'entretien ou des accidents. *La période de garantie applicable pour les radios de chantier, le port d'alimentation M12™, Source d'énergie M18™, Ventilateur de chantier et les chariots de travail industriels Trade Titan™ est d'une durée d'un (1) an à partir de la date d'achat. La période de la garantie couvrant la lampe de travail à DEL et l'ampoule améliorée à DEL est une garantie à vie limitée à l'acheteur d'origine seulement; si, lors d'une utilisation normale, l'ampoule à DEL présente une défectuosité, la lampe de travail et l'ampoule seront remplacées sans frais.

*Cette garantie ne s'applique pas aux cloueuses-agrafeuses pneumatiques, aux pulvérisateurs à peinture sans air, aux blocs piles pour outils sans fil, aux génératrices d'alimentation portatives à essence, aux outils à main, aux monte-charge – électrique, à levier et à chaîne (manuel), aux vestes chauffantes M12™, aux produits réusinés, ni aux produits d'essai et de mesure. Il existe des garanties distinctes pour ces produits.

L'enregistrement de la garantie n'est pas nécessaire pour bénéficier de la garantie en vigueur sur un outil électrique MILWAUKEE. La date de fabrication du produit servira à établir la période de garantie si aucune preuve d'achat n'est fournie lorsqu'une demande de service sous garantie est présentée.

L'ACCEPTATION DES RECOURS EXCLUSIFS DE RÉPARATION ET DE REMPLACEMENT DÉCRITS AUX PRÉSENTES EST UNE CONDITION DU CONTRAT D'ACHAT DE TOUT PRODUIT MILWAUKEE. SI VOUS N'ACCEPTÉZ PAS CETTE CONDITION, VOUS NE DEVEZ PAS ACHETER LE PRODUIT. EN AUCUN CAS MILWAUKEE NE SAURAIT ÊTRE RESPONSABLE DE TOUT DOMMAGE ACCESSOIRE, SPÉCIAL OU INDIRECT, DE DOMMAGES-INTÉRÊTS PUNITIFS OU DE TOUTE DÉPENSE, D'HONORAIRES D'AVOCATS, DE FRAIS, DE PERTE OU DE DÉLAIS ACCESSOIRES À TOUT DOMMAGE, DÉFAILLANCE OU DÉFAUT DE TOUT PRODUIT, Y COMPRIS NOTAMMENT LES PERTES DE PROFIT. CERTAINS ÉTATS ET PROVINCES NE PERMETTANT PAS L'EXCLUSION OU LA LIMITATION DES DOMMAGES DIRECTS OU INDIRECTS, LES RESTRICTIONS CI-DESSUS PEUVENT NE PAS ÊTRE APPLICABLES. CETTE GARANTIE EST EXCLUSIVE ET REMPLACE TOUTE AUTRE GARANTIE EXPRESSE, QU'ELLE SOIT ORALE OU ÉCRITE. DANS LA MESURE PERMISE PAR LA LOI, MILWAUKEE RENONCE À TOUTE GARANTIE IMPLICITE, Y COMPRIS, SANS S'Y LIMITER, TOUTE GARANTIE IMPLICITE DE QUALITÉ MARCHANDE OU D'ADAPTATION À UNE UTILISATION OU À UNE FIN PARTICULIÈRE. DANS LA MESURE OU UNE TELLE STIPULATION D'EXONÉRATION N'EST PAS PERMISE PAR LA LOI, LA DURÉE DE CES GARANTIES IMPLICITES EST LIMITÉE À LA PÉRIODE APPLICABLE DE LA GARANTIE EXPRESSE, TEL QUE DÉCRIT PRÉCÉDEMMENT. CERTAINS ÉTATS ET PROVINCES NE PERMETTANT PAS DE LIMITATION DE DURÉE DES GARANTIES IMPLICITES, LES RESTRICTIONS CI-DESSUS PEUVENT NE PAS ÊTRE APPLICABLES. LA PRÉSENTE CONFÈRE À L'UTILISATEUR DES DROITS LÉGAUX PARTICULIERS; IL BÉNÉFICIE ÉGALEMENT D'AUTRES DROITS QUI VARIENT D'UN ÉTAT À L'AUTRE.

Cette garantie s'applique aux produits vendus aux États-Unis et au Canada uniquement.

Veillez consulter la rubrique Centre SAV MILWAUKEE, dans la section Pièces & Service du site Web de MILWAUKEE, à l'adresse www.milwaukeeetool.com, ou composer le 1-800-SAWDUST (1-800-729-3878) afin de trouver le centre de réparations en usine MILWAUKEE le plus près.

GARANTIE LIMITÉE – MEXIQUE, AMÉRIQUE CENTRALE ET CARAÏBES

TECHTRONIC INDUSTRIES® garantit le produit pendant cinq ans à partir de la date d'achat d'origine. Le présent bon de garantie couvre tous les vices de matériau et de fabrication que peut afficher cet outil électrique. Pour assurer la validité de la présente garantie, veuillez présenter le bon de commande, estampillé du sceau du distributeur ou du magasin où le produit a été acheté, au centre de réparations agréé. Si le bon de commande n'a pas été estampillé, veuillez fournir la preuve d'achat d'origine au centre de réparations agréé. Pour un entretien, des pièces, des accessoires ou d'autres composants, composer sans frais le 1-800-832-1949 afin d'obtenir les coordonnées du centre de réparations agréé le plus près.

Procédure pour assurer la validité de la garantie

Présenter le produit au centre de réparations agréé, accompagné du bon de commande estampillé du sceau du distributeur ou du magasin où le produit a été acheté. Toute pièce défectueuse ou tout composant défectueux sera remplacé sans frais. Milwaukee assume tous les frais de transport liés à ce processus de garantie.

Exceptions

La garantie ne s'applique pas dans les situations suivantes :

- a) Si le produit a été utilisé pour une fin autre que celle indiquée dans le guide de l'utilisateur final ou le manuel d'instructions.
 - b) Si les conditions d'utilisations ne sont pas habituelles.
 - c) Si le produit a été modifié ou réparé par une personne non autorisée par TECHTRONIC INDUSTRIES.
- Note : Si le cordon électrique est endommagé, il doit être remplacé par un centre de réparations agréé pour éviter les risques d'électrocution.

Modèle : _____

Date d'achat : _____

Sceau du distributeur ou du magasin : _____

CENTRE DE RÉPARATIONS ET DE SERVICE
Av Presidente Mazarik 29 Piso 7, 11570 Chapultepec Morales
Miguel Hidalgo, Distrito Federal, Mexico
Ph. 52 55 4160-3547

IMPORTÉ ET COMMERCIALISÉ PAR :
TECHTRONIC INDUSTRIES MEXICO, S.A. DE C.V.
Av Presidente Mazarik 29 Piso 7, 11570 Chapultepec Morales
Miguel Hidalgo, Distrito Federal, Mexico

ADVERTENCIAS DE SEGURIDAD GENERALES PARA LA HERRAMIENTA ELÉCTRICA

⚠️ ADVERTENCIA Lea todas las advertencias de seguridad, instrucciones, ilustraciones y especificaciones con esta herramienta eléctrica. Si no sigue todas las advertencias e instrucciones, se pueden provocar una descarga eléctrica, un incendio o lesiones graves. **Guarde todas las advertencias e instrucciones para consultarlas en el futuro.** El término "herramienta eléctrica" en todas las advertencias incluidas más abajo se refiere a su herramienta operada por conexión (cable) a la red eléctrica o por medio de una batería (inalámbrica).

SEGURIDAD EN EL ÁREA DE TRABAJO

- **Mantenga el área de trabajo limpia y bien iluminada.** Las áreas desordenadas u oscuras son propicias para los accidentes.
- **No utilice herramientas eléctricas en atmósferas explosivas, tales como en presencia de líquidos, gases o polvos inflamables.** Las herramientas eléctricas generan chispas que pueden encender el polvo o los vapores.
- **Mantenga a los niños y a los espectadores alejados mientras utiliza una herramienta eléctrica.** Las distracciones pueden ocasionar la pérdida de control.

SEGURIDAD ELÉCTRICA

- **Los enchufes de la herramienta eléctrica deben coincidir con el tomacorriente.** Nunca modifique el enchufe de ninguna manera. No utilice adaptadores de enchufe con herramientas eléctricas aterrizadas. Los enchufes y tomacorrientes correspondientes sin modificar reducirán el riesgo de descarga eléctrica.
- **Evite el contacto corporal con superficies aterrizadas, tales como tuberías, radiadores, estufas y refrigeradores.** Existe un riesgo mayor de descarga eléctrica si su cuerpo está aterrizado.
- **No exponga las herramientas eléctricas a la lluvia ni a condiciones húmedas.** Si se introduce agua en una herramienta eléctrica, aumentará el riesgo de descarga eléctrica.
- **No maltrate el cable.** Nunca utilice el cable para cargar, jalar o desconectar la herramienta eléctrica. Mantenga el cable alejado del calor, el aceite, los bordes afilados o las partes en movimiento. Los cables dañados o enredados aumentan el riesgo de descarga eléctrica.
- **Al utilizar una herramienta eléctrica en exteriores, utilice una extensión adecuada para uso en exteriores.** El uso de una extensión adecuada para el uso en exteriores disminuye el riesgo de descarga eléctrica.
- **Si es inevitable utilizar una herramienta eléctrica en un lugar húmedo, utilice un alimentador de corriente protegido con un interruptor de circuito por falla de conexión a tierra (GFCI).** El uso de un GFCI reduce el riesgo de descarga eléctrica.

SEGURIDAD PERSONAL

- **Manténgase alerta, atento a lo que está haciendo y utilice el sentido común al utilizar una herramienta eléctrica.** No utilice una herramienta eléctrica mientras está cansado o bajo la influencia de drogas, alcohol o medicamentos. Un momento de distracción al utilizar herramientas eléctricas puede ocasionar lesiones personales graves.
- **Utilice equipo de protección personal.** Siempre use protección para los ojos. El equipo de protección, tal como una máscara contra polvo, calzado antideslizante, casco o protección auditiva, utilizado para condi-

- **Evite el arranque accidental.** Asegúrese de que el interruptor esté en la posición de apagado antes de conectarlo a una fuente de poder y/o batería, levantar o trasladar la herramienta. Trasladar herramientas con el dedo en el interruptor o energizar herramientas eléctricas que tienen el interruptor encendido propicia accidentes.
- **Retire cualquier llave de ajuste antes de entender la herramienta.** Una llave que se deje insertada en una parte giratoria de la herramienta eléctrica puede ocasionar lesiones personales.
- **No estire el cuerpo demasiado.** Mantenga un buen contacto entre los pies y el suelo y mantenga el equilibrio en todo momento. Esto permite un mejor control de la herramienta eléctrica en situaciones inesperadas.
- **Vístase adecuadamente.** No utilice ropa o joyería holgada. Mantenga el cabello y la ropa alejados de las partes móviles. La ropa holgada, las alhajas o el cabello largo pueden quedarse atrapados en las partes móviles.
- **Si se proporcionan dispositivos para la conexión de instalaciones de extracción y recolección de polvo, cerciórese de que estén conectados y se utilicen correctamente.** El uso de dispositivos recolectores de polvo puede disminuir los riesgos relacionados con el polvo.
- **No permita que la familiaridad por el uso frecuente de las herramientas lo hagan sentirse seguro e ignorar los principios de seguridad de las herramientas.** Un descuido puede provocar lesiones graves en una fracción de segundo.

USO Y CUIDADO DE LAS HERRAMIENTAS ELÉCTRICAS

- **No fuerce la herramienta eléctrica.** Utilice la herramienta eléctrica correcta para su aplicación. La herramienta eléctrica correcta realizará el trabajo mejor y con mayor seguridad a la velocidad para la que fue diseñada.
- **No utilice la herramienta eléctrica si el interruptor no la enciende y la apaga.** Cualquier herramienta eléctrica que no pueda controlarse con el interruptor es peligrosa y debe repararse.
- **Desconecte el enchufe de la fuente de energía y/o quite la batería de la herramienta eléctrica, si es posible, antes de realizar cualquier ajuste, cambiar accesorios o almacenar las herramientas eléctricas.** Tales medidas preventivas de seguridad disminuyen el riesgo de que la herramienta eléctrica se encienda accidentalmente.
- **Almacene las herramientas eléctricas que no se estén utilizando fuera del alcance de los niños y no permita que personas que no estén familiarizadas con la herramienta eléctrica o con estas instrucciones la utilicen.** Las herramientas eléctricas son peligrosas en manos de usuarios sin capacitación.
- **Dé mantenimiento a las herramientas eléctricas y accesorios.** Verifique que no haya desalineación,

amarre de partes móviles, partes rotas o alguna otra condición que pueda afectar el funcionamiento de la herramienta eléctrica. Si se daña, asegúrese de que la herramienta eléctrica sea reparada antes de que se utilice. Muchos accidentes son ocasionados por herramientas eléctricas con mantenimiento deficiente.

- **Mantenga las herramientas de corte afiladas y limpias.** Las herramientas de corte correctamente mantenidas con bordes de corte afilados son menos propensas a atorarse y son más fáciles de controlar.
- **Utilice la herramienta eléctrica, los accesorios y las puntas, etc. de acuerdo con estas instrucciones, tomando en cuenta las condiciones de trabajo y el trabajo a realizar.** El uso de la herramienta eléctrica para operaciones diferentes a las previstas podría generar una situación peligrosa.
- **Mantenga las empuñaduras y ñas superficies de sujeción secas, limpias y libres de aceite y grasa.** Las empuñaduras y superficies de sujeción resbalosas no permiten el manejo y control seguros de la herramienta en situaciones inesperadas.

USO Y CUIDADO DE LAS HERRAMIENTAS CON BATERÍA

- **Recargue únicamente con el cargador especificado por el fabricante.** Un cargador que es adecuado para un tipo de batería puede crear un riesgo de incendio si se utiliza con otra batería.
- **Utilice las herramientas eléctricas únicamente con baterías específicamente diseñadas.** El uso de cualquier otra batería puede producir un riesgo de lesiones e incendio.
- **Cuando la batería no esté en uso, manténgala alejada de otros objetos metálicos como sujetapapeles, monedas, llaves, clavos, tornillos u otros objetos metálicos pequeños que puedan formar una conexión de una terminal a otra.** Crear un corto entre las terminales de la batería puede ocasionar quemaduras o un incendio.
- **Bajo condiciones de maltrato, el líquido puede ser expulsado de la batería, evite el contacto.** En caso de contacto accidental, lave con agua. Si el líquido entra en contacto con los ojos, busque además ayuda médica. El líquido expulsado de la batería puede causar irritación o quemaduras.
- **No use una batería o herramienta que se haya dañado o modificado.** Las baterías dañadas o modificadas pueden mostrar un comportamiento impredecible, causando incendios, explosión o riesgo de lesión.
- **No exponga una batería o herramienta al fuego o a temperatura excesiva.** La exposición a fuego o temperatura a más de 130° C (265° F) puede causar explosiones.
- **Siga todas las instrucciones de carga y no cargue la batería o la herramienta fuera del rango de temperatura especificado en las instrucciones.** La carga incorrecta o a temperaturas fuera del rango especificado puede dañar la batería y aumentar el riesgo de incendio.

MANTENIMIENTO

- **Lleve su herramienta eléctrica a servicio con un técnico calificado que use únicamente piezas de reemplazo idénticas.** Esto asegurará que la seguridad de la herramienta eléctrica se mantenga.
- **Nunca dé servicio a baterías dañadas.** Únicamente el fabricante o proveedores de servicio autorizados deben dar servicio a las baterías.


REGLAS ESPECÍFICAS DE SEGURIDAD

- **Use las empuñaduras auxiliares si se proporcionan con la herramienta.** La pérdida de control puede causar lesiones personales.
- **Al realizar una operación donde el accesorio de corte pueda entrar en contacto con cableado oculto o con su propio cable, sostenga las herramientas eléctricas de las superficies de empuñadura aisladas.** El contacto del accesorio de corte con un cable que conduzca electricidad puede hacer que las partes metálicas de la herramienta se electrifiquen y podría ocasionar una descarga eléctrica al operador.
- **Guarde las etiquetas y placas de especificaciones.** Estas tienen información importante. Si son ilegibles o si no se pueden encontrar, póngase en contacto con un centro de servicio de MILWAUKEE para una refacción gratis.
- **ADVERTENCIA :** Algunas partículas de polvo resultantes del lijado mecánico, aserrado, esmerilado, taladrado y otras actividades relacionadas a la construcción, contienen sustancias químicas que se saben ocasionan cáncer, defectos congénitos u otros daños al aparato reproductivo. A continuación se citan algunos ejemplos de tales sustancias químicas:

- plomo proveniente de pinturas con base de plomo
- sílice cristalino proveniente de ladrillos, cemento y otros productos de albañilería y
- arsénico y cromo provenientes de madera químicamente tratada.

El riesgo que usted sufre debido a la exposición varía dependiendo de la frecuencia con la que usted realiza estas tareas. Para reducir la exposición a estas sustancias químicas: trabaje en un área bien ventilada, y utilice equipo de seguridad aprobado como, por ejemplo, máscaras contra el polvo que hayan sido específicamente diseñadas para filtrar partículas microscópicas.

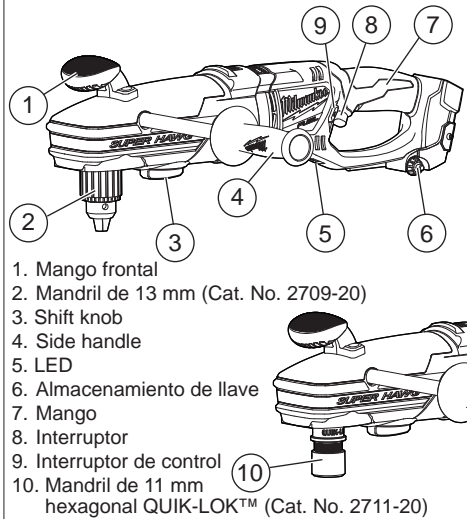
SIMBOLOGÍA

V	Volts
— — —	Corriente directa
n_0 XXXX min. ⁻¹	Revoluciones por minuto sin carga (RPM)
 US	Underwriters Laboratories, Inc., Estados Unidos y Canadá

ESPECIFICACIONES

Cat. No.	Volts cd	rpm	Capacidad				
			Acero	Madera			
			Broca helicoidal	Broca de berbiquí	Broca de berbiquí para	Broca de auto-alimentación	Sierra perforadora
2709-20/2711-20	18	Alta 0 - 950	8 mm (5/16")	38 mm (1-1/2")	38 mm (1-1/2")	65 mm (2-9/16")	102 mm (4")
		Baja 0 - 350	13 mm (1/2")	38 mm (1-1/2")	38 mm (1-1/2")	117 mm (4-5/8")	152 mm (6")

DESCRIPCION FUNCIONAL



1. Mango frontal
2. Mandril de 13 mm (Cat. No. 2709-20)
3. Shift knob
4. Side handle
5. LED
6. Almacenamiento de llave
7. Mango
8. Interruptor
9. Interruptor de control
10. Mandril de 11 mm hexagonal QUICK-LOK™ (Cat. No. 2711-20)

ENSAMBLAJE

ADVERTENCIA Recargue la batería sólo con el cargador especificado para ella. Para instrucciones específicas sobre cómo cargar, lea el manual del operador suministrado con su cargador y la batería.

Como se inserta / quita la batería en la herramienta

Para retirar la batería, presione los botones de liberación y jale de la batería para sacarla de la herramienta.

Para introducir la batería, deslícela en el cuerpo de la herramienta. Asegúrese de que quede bien firme en su posición.

ADVERTENCIA Para reducir el riesgo de lesiones, extraiga siempre la batería antes de acoplar o desacoplar accesorios. Utilice únicamente accesorios específicamente recomendados para esta herramienta. El uso de accesorios no recomendados podría resultar peligroso.

Selección de la broca

- Use brocas afiladas. Es menos probable que las brocas afiladas se atoren durante el taladrado.
- Use la broca correcta para el trabajo. Hay muchos tipos de brocas diseñados para fines específicos. Revise la información proporcionada en el envoltorio de la broca para obtener información sobre el uso adecuado.
- No use brocas de mayor tamaño que la capacidad nominal del taladro. Podrían dañarse los engranajes u ocurrir una sobrecarga del motor (vea «Especificaciones»).

Instalación de brocas

Antes de introducir o retirar las brocas, siempre se debe retirar la batería. Seleccione la broca del estilo y el tamaño adecuados para el tipo de tornillo que está usando.

Instalación de brocas en los mandril con chaveta (Cat. No. 2709-20)

1. Extraer la batería.
2. Abra las mordazas del mandril lo suficiente para poder insertar la broca. Asegúrese que el vástago de la broca y las mordazas del mandril estén limpios. Las partículas de suciedad pueden evitar el alineamiento correcto de la broca.
3. Inserte la broca en el mandril. Centre la broca en las mordazas del mandril y levántela aproximadamente 1,6 mm (1/16") por encima de la parte inferior del mandril. Apriete las mordazas del mandril con la mano para alinear la broca.
4. Coloque la chaveta del mandril en cada uno de los tres orificios en el mandril y gírela en el sentido de las manecillas del reloj para apretar firmemente el mandril.
NOTA: Nunca use una llave u otra herramienta, excepto la chaveta del mandril, para apretar o aflojar el mandril.
5. Para extraer la broca, coloque la chaveta del mandril en uno de los tres orificios ubicados en el mandril y gírela en sentido contrario a las manecillas del reloj.

Instalación de brocas en los mandriles Hexagonal 11 mm (7/16") QUICK-LOK™ (Cat. No. 2711-20)

1. Extraer la batería.
2. Para instalar un accesorio, presione la base en el portabrocas del hexagonal.
3. Para quitar el accesorio, jale del aro y quite el accesorio. Suelte el aro.

Mango lateral

El mango lateral puede instalarse en cualquier lado de la herramienta. Para instalar el mango lateral, enrósquelo en el adaptador en el lado deseado de la herramienta y apriételo firmemente.

OPERACION

ADVERTENCIA Para reducir el riesgo de lesiones, extraiga siempre la batería antes de acoplar o desacoplar accesorios. Utilice únicamente accesorios específicamente recomendados para esta herramienta. El uso de accesorios no recomendados podría resultar peligroso.

ADVERTENCIA Para reducir el riesgo de lesiones, use siempre lentes de seguridad o anteojos con protectores laterales.

ADVERTENCIA Para reducir el riesgo de lesiones personales durante el taladrado, sujete la herramienta por las superficies de sujeción aisladas cuando realice una operación donde la herramienta de corte puede hacer contacto con el cableado oculto. Hacer contacto con un alambre energizado hará que las partes metálicas expuestas de la herramienta también estén energizadas y produzcan una descarga sobre el operador.

ADVERTENCIA Para reducir el riesgo de lesiones personales, sujete o apoye firmemente. Siempre esté preparado para un atoramiento de la broca y la reacción del taladro.

Atoramiento de broca

Si se atora la broca, el taladro reaccionará repentinamente en la dirección opuesta de rotación de la broca. Reduzca las posibilidades de una reacción repentina siguiendo las instrucciones descritas a continuación. Prepárese para una reacción repentina sujetando o apoyando la herramienta firmemente.

Para reducir la posibilidad de atoramiento de la broca:

- Use brocas afiladas. Es menos probable que las brocas afiladas se atoren durante el taladrado.
- Use la broca correcta para el trabajo. Hay muchos tipos de brocas diseñados para fines específicos.
- Mantenga las brocas de autoalimentación alineadas con la superficie de trabajo para que entren en forma directa (vea «Taladrado»).
- Si es posible, evite taladrar materiales pandeados, húmedos, nudosos o resinosos.
- Evite taladrar material que pueda tener clavos ocultos u otros objetos que puedan ocasionar el atoramiento de la broca.

La dirección de rotación es siempre la opuesta a la dirección de rotación de la broca. Existen mayores probabilidades de que ocurra una reacción cuando se alargan orificios ya existentes, en el punto donde la broca entra al otro lado del material.

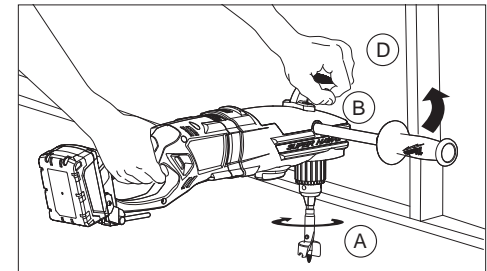
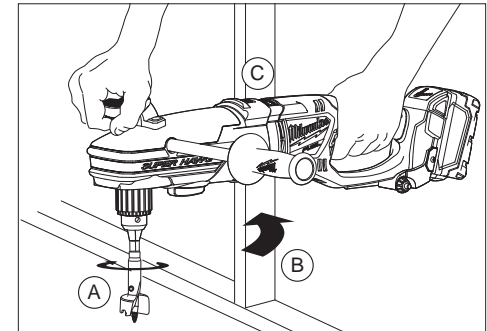
Si la broca se atora:

1. Suelte el gatillo inmediatamente.
2. Invierta la dirección del motor.
3. Extraiga la broca del material de trabajo y comience nuevamente.
4. No mueva el gatillo a las posiciones de activado y desactivado tratando de hacer arrancar una broca atorada. Esto dañará la broca.

Apoyo para rotación en dirección de avance

Cuando se taladra en dirección de avance, la broca girará en el sentido de las manecillas del reloj. Si se atora en el orificio, la broca se detendrá súbitamente y el taladro reaccionará repentinamente en sentido contrario a las manecillas del reloj. Un ejemplo de un Super Hawk™ que está apoyado correctamente para una reacción hacia adelante:

- A. Rotación en dirección de avance
 - B. Reacción
 - C. Apoye el taladro con la caja de engranajes aquí
 - D. Sujete el taladro con el mango lateral aquí.
- Si se atora la broca, la caja de engranajes apoyada contra la fijación sujetará el taladro en posición.

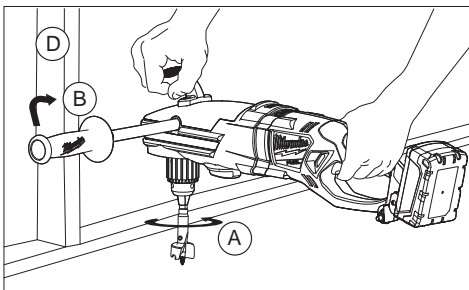
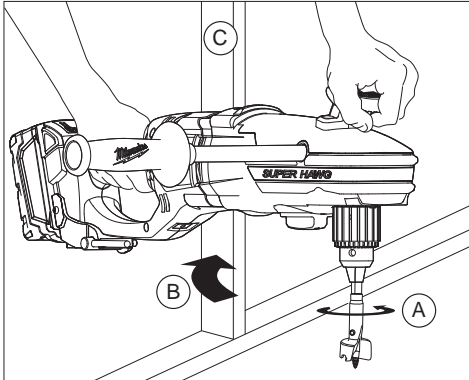


Apoyo para rotación en dirección de retroceso

Cuando se taladra en dirección de retroceso, la broca girará en sentido contrario a las manecillas del reloj. Si se atora en el orificio, la broca se detendrá súbitamente y el taladro reaccionará repentinamente en el sentido de las manecillas del reloj. Un ejemplo de un Super Hawg™ que está apoyado correctamente para una reacción de retroceso:

- Rotación de retroceso (hacia la izquierda)
- Reacción
- Apoye el taladro con la caja de engranajes del motor aquí

Si se atora la broca, la caja de engranajes apoyada contra la fijación sujetará el taladro en posición.



Cambio de velocidades

⚠ ADVERTENCIA Para reducir el riesgo de lesiones personales o daño a la herramienta, cambie de velocidad sólo cuando el taladro se encuentre detenido.

Utilisez le bouton de décalage pour sélectionner une vitesse rapide ou lente. Vitesse rapide (950 tr/min) correspond au réglage de couple bas. Vitesse lente (350 tr/min) correspond au réglage de couple élevé. Voir la section des « Spécifications » pour vous informer des limites de capacité des mèches à des vitesses rapides ou lentes.

Placez toujours le commutateur à la position d'arrêt et changez de vitesse lorsque le moteur de l'outil ne tourne plus. Ne changez jamais la vitesse de la perceuse lorsqu'elle tourne ou lorsqu'elle est sous tension.



Inversion

Un contacteur inverseur est situé à l'opposé de la gâchette pour retirer les mèches des trous. Il permet au moteur d'arrêter complètement avant d'activer l'inversion. Une inversion du sens de rotation du moteur pendant qu'il tourne peut endommager gravement l'outil. Lorsque vous enlevez les mèches à auto-avance de trous partiellement percés, donnez un petit coup à l'interrupteur de gâchette lorsque l'outil est en mode inversé pour dégager la vis pilote fileté. Lorsque les filetages sont dégagés, soulevez la mèche de la pièce une fois le moteur est arrêté.

Utilización del interruptor de control

El interruptor de control se puede colocar en tres posiciones diferentes: avance, retroceso y bajo seguro. Debido a un mecanismo de traba, el interruptor de control se puede cambiar de posición únicamente cuando el interruptor de ENCENDIDO/APAGADO no esté presionado. Para poder usar el interruptor de control, siempre se debe esperar a que el motor se pare por completo.

Para **avanzar** (el giro es en el sentido de las manecillas del reloj), se presiona el interruptor de control colocado al lado derecho del taladro. **Verificar la dirección del giro antes de usarlo.**

Para **retroceder** (el giro es en el sentido opuesto a las manecillas del reloj), se presiona el interruptor de control colocado al lado izquierdo del taladro. **Verificar la dirección del giro antes de usarlo.** Para ponerle el **seguro** al gatillo, el interruptor de control se coloca en la posición central. El gatillo no funcionará mientras el interruptor de control se encuentre bajo seguro en la posición central.

Extraiga siempre la batería antes de cambiar accesorios, dar mantenimiento, almacenar el taladro y siempre que éste no esté siendo usado.

⚠ ADVERTENCIA A fin de reducir el riesgo de lesionarse, mantenga las manos alejadas de la broca y de todas las partes móviles.

Arranque, paro y control de velocidad

Estas herramientas pueden operarse a cualquier velocidad entre 0 y plena marcha.

- Para **accionar** la herramienta, oprima el gatillo.
NOTA: Las vueltas luz LED en cuando el disparador se tira.
- Para variar la velocidad de operación, simplemente aumente o disminuya la presión del gatillo. Cuanto más se oprima el gatillo, mayor será la velocidad.
- Para **detener** la herramienta, suelte el gatillo y el freno eléctrico detendrá la herramienta instantáneamente.

⚠ ADVERTENCIA Para reducir el riesgo de explosión, electrocución y daño a la propiedad, antes de taladrar verifique siempre que en el área de trabajo no hayan tuberías o cables ocultos.

Taladrado

- Antes de taladrar, cerciorese de que la pieza de trabajo este firmemente asegurada. Una pieza de material no asegurada firmemente puede ocasionar lesiones personales o producir un taladrado sin precisión. Use material de refuerzo para evitar dañar la pieza de trabajo durante la operación. Al trabajar en madera o metal de menor calibre, use un bloque de madera para reforzar el material a fin de evitar dañar la pieza de trabajo.
- Cuando vaya a iniciar una perforación, coloque la broca sobre la superficie de trabajo y aplique presión.
Para que comience a girar una broca de auto-alimentación, introduzca el tornillo roscado en la pieza de trabajo oprimiendo el interruptor de accionamiento y dejando que la broca gire por inercia hasta que los dientes hagan contacto con la superficie de trabajo. Alinee correctamente la broca antes de proseguir. Esto evitará que se desvíe y se atasque durante el arranque.
Al taladrar en metal, marque el centro del agujero a taladrar con un punzón central para dar un inicio a la broca y evitar que se «desvíe»
Lubrique la broca para taladro con aceite para corte cuando taladre en hierro o acero. Utilice un refrigerante cuando taladre en metales no ferrosos como cobre, latón o aluminio.
- Aplique siempre presión en línea con la broca. Utilice suficiente presión para mantener el taladro perforando, pero no demasiada que pueda ocasionar el atoramiento de la broca. Cuando use brocas helicoidales, tire de la broca hacia afuera para eliminar las rebabas de las estrías. Cuando use brocas de autoalimentación, si se desliza el embrague, tire ligeramente de la broca hacia arriba y luego empujela hacia la pieza de trabajo. Repita este procedimiento varias veces.
- Reduzca la presión durante la etapa final de la perforación. Mientras la herramienta continúa operando, tire de la broca hacia afuera del orificio para evitar que se atasque.
Cuando use brocas de autoalimentación, reduzca la presión del taladro tan pronto como la punta del tornillo comience a entrar en la pieza de trabajo. Prosiga aplicando presión firme y pareja.

MANTENIMIENTO

⚠ ADVERTENCIA Para reducir el riesgo de una lesión, desconecte siempre la herramienta antes de darle cualquier mantenimiento. Nunca desarme la herramienta ni trate de hacer modificaciones en el sistema eléctrico de la misma. Acuda siempre a un Centro de Servicio MILWAUKEE para TODAS las reparaciones.

Mantenimiento de la herramienta

Adopte un programa regular de mantenimiento y mantenga sus baterías y cargador en buenas condiciones. Después de 6 meses a un año, dependiendo del uso dado, envíe su herramienta, batería y cargador, al Centro de Servicio MILWAUKEE más cercano para que le hagan:

- Lubricación
- Inspección mecánica y limpieza (engranes, flechas, baleros, carcaza, etc.)
- Inspección eléctrica (batería, cargador, motor)
- Probarla para asegurar una adecuada operación mecánica y eléctrica

Si la herramienta no arranca u opera a toda su potencia con una batería completamente cargada, limpie, con una goma o borrador, los contactos de la batería y de la herramienta. Si aun así la herramienta no trabaja correctamente, regrésela, con el cargador y la batería, a un centro de servicio MILWAUKEE para que sea reparada.

⚠ ADVERTENCIA Para reducir el riesgo de una explosión, no queme nunca una batería, aun si está dañada, "muerta" o completamente descargada.

Limpieza

Limpie el polvo y suciedad de las ventilas del cargador y la herramienta. Mantenga los mangos y empuñaduras limpios, secos y libres de aceite o grasa. Use solo jabón neutro y un trapo húmedo para limpiar la herramienta, batería y el cargador, ya que algunos substancias y solventes limpiadores son dañinos a los plásticos y partes aislantes. Algunos de estos incluyen: gasolina, turpentina, thinner, lacas, thinner para pinturas, solventes para limpieza con cloro, amoníaco y detergentes caseros que tengan amonía. Nunca usa solventes inflamables o combustibles cerca de una herramienta.

Reparaciones

Si su herramienta, batería o cargador están dañados, envíela al centro de servicio más cercano.

ACCESORIOS

⚠ ADVERTENCIA Para reducir el riesgo de lesiones, siempre extraiga la batería antes de cambiar o retirar accesorios. Utilice únicamente accesorios específicamente recomendados para esta herramienta. El uso de accesorios no recomendados podría resultar peligroso.

Para una lista completa de accesorios, refiérase a su catálogo MILWAUKEE Electric Tool o visite nuestro sitio en Internet: www.milwaukeetool.com. Para obtener un catálogo, contacte su distribuidor local o uno de los centros de servicio.

GARANTÍA LIMITADA - E.U.A. Y CANADA

Se garantiza al comprador original que ninguna de las herramientas eléctricas MILWAUKEE (incluido el producto inalámbrico, la herramienta y las baterías; consulte las declaraciones distintas y por separado en GARANTÍA LIMITADA DEL PAQUETE DE BATERÍAS INALÁMBRICAS y de las luces de trabajo y del cargador de baterías*) presentan defectos en material ni en mano de obra. En un plazo de cinco (5) años* a partir de la fecha de compra y sujeto a ciertas excepciones, MILWAUKEE reparará o reemplazará cualquier parte de una herramienta eléctrica que, luego de ser examinada, MILWAUKEE compruebe que presenta defectos en material o mano de obra, a menos que se indique lo contrario. Se requiere la devolución de la herramienta eléctrica a un centro de mantenimiento de la fábrica MILWAUKEE o a un centro de reparaciones autorizado por MILWAUKEE, con gastos de envío prepagados y asegurados. La devolución del producto debe estar acompañada por un comprobante de compra. Esta garantía no se aplica a los daños que MILWAUKEE establece que fueron ocasionados por reparaciones o intentos de reparación por parte de personal no autorizado por MILWAUKEE, uso indebido, alteraciones, abuso, desgaste y deterioro normal, falta de mantenimiento o accidentes.

*El período de garantía de las radios para obras, del puerto de alimentación M12™, Fuente de poder M18™, Ventilador para obra y de las carretillas de trabajo industrial Trade Titan™ es de un (1) año a partir de la fecha de compra. El período de garantía de la lámpara de trabajo con diodo luminoso y del foco mejorado con diodo luminoso es una garantía VITALICIA limitada para el comprador original únicamente. Si durante el uso normal el foco de diodo luminoso no funciona, la lámpara de trabajo o el foco mejorado se reemplazará sin cargo.

*Esta garantía no cubre las clavadoras aéreas, las engrapadoras, el rociador de pintura inalámbrico, el paquete de baterías inalámbrico, los generadores eléctricos portátiles que funcionan con gasolina, herramientas manuales, elevadores (eléctricos, con palanca y con cadenas manuales), camisas de calefacción M12™, productos reacondicionados y productos de prueba y medición. Se encuentran disponibles garantías distintas para estos productos.

No se necesita registro de garantía para obtener la garantía correspondiente de un producto eléctrico MILWAUKEE. La fecha de fabricación del producto se utilizará para determinar el período de garantía si no se presenta un comprobante de compra en el momento en que se solicita el servicio de garantía.

LA ACEPTACIÓN DE LOS DERECHOS A REPARACIÓN Y REEMPLAZO EXCLUSIVAMENTE DESCRITOS EN EL PRESENTE DOCUMENTO CONSTITUYE UNA CONDICIÓN DEL CONTRATO POR LA COMPRA DE CADA PRODUCTO MILWAUKEE. SI NO ACEPTA ESTA CONDICIÓN, NO DEBE COMPRAR EL PRODUCTO. MILWAUKEE NO SERÁ EN NINGUN CASO RESPONSABLE DE DAÑOS INCIDENTALES, ESPECIALES, CONSECUENTES O PUNITIVOS, NI DE COSTOS, HONORARIOS DE ABOGADOS, GASTOS, PÉRDIDAS O DEMORAS SUPUESTAMENTE CAUSADOS COMO CONSECUENCIA DE CUALQUIER DAÑO, FALLA O DEFECTO EN CUALQUIER PRODUCTO, INCLUIDOS, A MODO DE EJEMPLO, RECLAMOS POR PÉRDIDA DE GANANCIAS, ALGUNOS ESTADOS NO PERMITEN LA EXCLUSIÓN O LA LIMITACIÓN DE DAÑOS INCIDENTALES O CONSECUENTES. POR LO TANTO, LAS LIMITACIONES Y EXCLUSIONES ANTERIORES PUEDEN NO APLICARSE PARA USTED. ESTA GARANTÍA ES EXCLUSIVA Y SUSTITUYE A TODAS LAS OTRAS GARANTÍAS EXPRESAS, ESCRITAS U ORALES. SEGÚN LO PERMITE LA LEY, MILWAUKEE SE EXIME DE TODA GARANTÍA IMPLÍCITA, INCLUIDOS, A MODO DE EJEMPLO, TODA GARANTÍA IMPLÍCITA DE COMERCIABILIDAD O IDONEIDAD PARA UN USO O PROPÓSITO EN PARTICULAR; EN LA MEDIDA EN QUE DICHA RENUNCIA NO ESTÉ PERMITIDA POR LA LEY, DICHAS GARANTÍAS IMPLÍCITAS ESTÁN LIMITADAS A LA DURACIÓN DE LA GARANTÍA EXPRESA APLICABLE SEGÚN SE DESCRIBE ANTERIORMENTE. ALGUNOS ESTADOS NO PERMITEN LIMITACIONES EN LA DURACIÓN DE UNA GARANTÍA IMPLÍCITA. POR LO TANTO, LA LIMITACIÓN ANTERIOR PUEDE NO APLICARSE PARA USTED. ESTA GARANTÍA LE OTORGA DERECHOS LEGALES ESPECÍFICOS Y TAMBIÉN PUEDE TENER OTROS DERECHOS QUE VARIAN DE ESTADO EN ESTADO.

Esta garantía se aplica a los productos vendidos en los EE. UU. y Canadá.

Consulte "Service Center Search" (Búsqueda de centro de servicio) en la sección Parts & Services (Piezas y servicios) del sitio web MILWAUKEE, www.milwaukeetool.com o llame al 1.800.SAWDUST (1.800.729.3878) para encontrar su Centro de Servicio de la fábrica de MILWAUKEE más cercano.

PÓLIZA DE GARANTÍA - VALIDA SOLO PARA MÉXICO, AMÉRICA CENTRAL Y EL CARIBE

TECHTRONIC INDUSTRIES., garantiza por 5 años este producto a partir de la fecha original de compra. Esta garantía cubre cualquier defecto que presenten las piezas, componentes y la mano de obra contenidas en este producto Para América Central y el Caribe se debe confirmar en el Centro de Servicio Autorizado el plazo de la garantía. Para hacer efectiva la Garantía deberá presentar al Centro de Servicio Autorizado la Póliza de Garantía sellada por el establecimiento en donde adquirió el producto. Si no la tienen, podrá presentar el comprobante de compra original. Usted puede llamar sin costo al teléfono 01 800 832 1949 o por correo electrónico a la dirección "servicio@tiigroupna.com", para ubicar el Centro de Servicio Autorizado más cercano a su domicilio, en el cual además podrá adquirir partes, componentes, consumibles y accesorios, que usted necesite.

Procedimiento para hacer válida la garantía

Acuda al Centro de Servicio con el producto y la póliza de garantía sellada por el establecimiento donde realizó la compra. Ahí se reemplazará cualquier pieza o componente defectuoso sin cargo alguno para el usuario final. La empresa se hace responsable de los gastos de transportación razonablemente erogados que se deriven del cumplimiento de la presente garantía.

Excepciones

La garantía perderá validez en los siguientes casos:

- a) Cuando el producto se hubiese utilizado en condiciones distintas a las normales.
 - b) Cuando el producto no hubiese sido operado de acuerdo con el instructivo de uso que lo acompaña.
 - c) Cuando el producto hubiese sido alterado o reparado por personas no autorizadas por TECHTRONIC INDUSTRIES.
- Nota: Si el cordón de alimentación es dañado, este debe ser reemplazado por el fabricante o por un Centro de Servicio Autorizado para evitar riesgo.

Modelo: _____

Fecha de Compra: _____

Sello del Distribuidor: _____

CENTRO DE SERVICIO Y ATENCIÓN A CLIENTES
Av Presidente Mazarik 29 Piso 7, 11570 Chapultepec Morales
Miguel Hidalgo, Distrito Federal, Mexico
Tel. 52 55 4160-3547

IMPORTADO Y COMERCIALIZADO POR:
TECHTRONIC INDUSTRIES MEXICO, .S.A. DE C.V.
Av Presidente Mazarik 29 Piso 7, 11570 Chapultepec Morales
Miguel Hidalgo, Distrito Federal, Mexico

UNITED STATES MILWAUKEE Service

MILWAUKEE prides itself in producing a premium quality product that is NOTHING BUT HEAVY DUTY®. Your satisfaction with our products is very important to us!

If you encounter any problems with the operation of this tool, or you would like to locate the *factory Service/Sales Support Branch* or *authorized service station* nearest you, please call...

1-800-SAWDUST

(1.800.729.3878)

Monday-Friday
7:00 AM - 6:30 PM
Central Time

or visit our website at

www.milwaukeetool.com

Additionally, we have a nationwide network of *authorized* Distributors ready to assist you with your tool and accessory needs. Check your "Yellow Pages" phone directory under "Tools-Electric" for the names & addresses of those nearest you or see the 'Where To Buy' section of our website.

For service information, use the 'Service Center Search' icon found in the 'Parts & Service' section.

Contact our Corporate After Sales Service Technical Support about ...

- Technical Questions
- Service/Repair Questions
- Warranty

call: 1-800-SAWDUST

fax: 1.800.638.9582

email: metproductsupport@milwaukeetool.com

Register your tool online at www.milwaukeetool.com and...

- receive important notifications regarding your purchase
- ensure that your tool is protected under the warranty
- become a HEAVY DUTY club member

CANADA MILWAUKEE Service

MILWAUKEE prides itself in producing a premium quality product that is NOTHING BUT HEAVY DUTY®. Your satisfaction with our products is very important to us!

If you encounter any problems with the operation of this tool, or you would like to locate the *factory Service/Sales Support Branch* or *authorized service station* nearest you, please call...

1.800.268.4015

Monday – Friday
7:00 – 4:30 CST
fax: 866.285.9049

Milwaukee Tool (Canada) Ltd

Additionally, we have a nationwide network of *authorized* Distributors ready to assist you with your tool and accessory needs. Call 1.800.268.4015 to find the names and addresses of the closest retailers or consult "Where to buy" on our website **www.milwaukeetool.ca**

MILWAUKEE est fier de proposer un produit de première qualité NOTHING BUT HEAVY DUTY®. Votre satisfaction est ce qui compte le plus!

En cas de problèmes d'utilisation de l'outil ou pour localiser le centre de service/ventes ou le *centre d'entretien* le plus proche, appelez le...

1.800.268.4015

Lundi – Vendredi 7:00 – 4:30 CST
fax: 866.285.9049

Milwaukee Tool (Canada) Ltd

Notre réseau national de distributeurs *agrés* se tient à votre disposition pour fournir l'aide technique, l'outillage et les accessoires nécessaires. Composez le 1.800.268.4015 pour obtenir les noms et adresses des revendeurs les plus proches ou bien consultez la section «Où acheter» sur notre site web à l'adresse **www.milwaukeetool.ca**

MEXICO - Soporte de Servicio MILWAUKEE

CENTRO DE ATENCION A CLIENTES

Techtronic Industries Mexico, S.A. de C.V.

Av. Presidente Masarik 29 Piso 7

11560 Polanco V Seccion

Miguel Hidalgo, Distrito Federal, México

01 (800) 030-7777 o (55) 4160-3540

Lunes a Viernes (9am a 6pm)

O contáctanos en **www.milwaukeetool.com.mx**

Para información de Centros de Servicio busca el icono "Servicio al cliente"- "Contáctanos"

Contacta nuestro servicio técnico para....

- Preguntas Técnicas
- Asesoría, servicio y reparación
- Garantía

Adicionalmente, tenemos una red nacional de distribuidores autorizados listos para ayudarlo con su herramienta y sus accesorios. Por favor, llame al 01 800 030-7777 o envíe correo a servicio.tecnico@milwaukeetool.com para obtener los nombres y direcciones de los más cercanos a usted, o consulte la sección "Dónde Comprar" en nuestro sitio web **www.milwaukeetool.com.mx**

MILWAUKEE TOOL

13135 West Lisbon Road • Brookfield, Wisconsin, U.S.A. 53005

58-14-0051d1

07/15

Printed in China
961016127-01(C)