

JET[®]

Operating Instructions and Parts Manual 12" x 36" Woodworking Lathe Model JWL-1236



WALTER MEIER (Manufacturing) Inc.
427 New Sanford Road
LaVergne, Tennessee 37086
Ph.: 800-274-6848
www.waltermeier.com

Part No. M-708352
Revision G2 07/2012
Copyright © 2012 Walter Meier (Manufacturing) Inc.

Warranty and Service

Walter Meier (Manufacturing) Inc., warrants every product it sells. If one of our tools needs service or repair, one of our Authorized Service Centers located throughout the United States can give you quick service. In most cases, any of these Walter Meier Authorized Service Centers can authorize warranty repair, assist you in obtaining parts, or perform routine maintenance and major repair on your JET® tools. For the name of an Authorized Service Center in your area call 1-800-274-6848.

MORE INFORMATION

Walter Meier is consistently adding new products to the line. For complete, up-to-date product information, check with your local Walter Meier distributor, or visit waltermeier.com.

WARRANTY

JET products carry a limited warranty which varies in duration based upon the product (MW = Metalworking, WW = Woodworking).

90 DAY WARRANTY	1 YEAR WARRANTY	Body Repair Kits Bottle Jacks Cable Pullers Cold Saws Hoists-Air Hoists-Electric Metal forming Mill/Drills Milling Machines MW Bandsaws MW Drill Presses MW Finishing Equipment MW Lathes MW Precision Vises	2 YEAR WARRANTY	Palet Trucks Rigging Equip. Service Jacks Stackers Surface Grinders Tapping Trolleys-Air Trolleys-Electric Web Slings Winches-Electric	3 YEAR WARRANTY	WW Benchtop Tools	5 YEAR WARRANTY	Beam Clamps Chain Hoist- Manual Lever Hoists Pullers-JCH Models Scissor Lift Tables Screw Jacks Trolleys-Geared Trolleys-Plain Winches-Manual WW Air Filtration WW Bandsaws WW Buffers	WW Drill Presses WW Dust Collectors WW Dust Filters WW Dust Fittings WW Jointers WW Lathes WW Planers WW Sanders WW Shapers WW Tablesaws	LIFE LIFETIME WARRANTY	Fastening Tools Mechanics Hand Tools Striking Tools Vises (no -precision) Clamps
Warranty reverts to 1 Year Warranty if woodworking (WW) products listed above are used for industrial or educational purposes.											

WHAT IS COVERED?

This warranty covers any defects in workmanship or materials subject to the exceptions stated below. Cutting tools, abrasives and other consumables are excluded from warranty coverage.

WHO IS COVERED?

This warranty covers only the initial purchaser of the product.

WHAT IS THE PERIOD OF COVERAGE?

The general JET warranty lasts for the time period specified in the product literature of each product.

WHAT IS NOT COVERED?

Five Year Warranties do not cover woodworking (WW) products used for commercial, industrial or educational purposes. Woodworking products with Five Year Warranties that are used for commercial, industrial or education purposes revert to a One Year Warranty. This warranty does not cover defects due directly or indirectly to misuse, abuse, negligence or accidents, normal wear-and-tear, improper repair or alterations, or lack of maintenance.

HOW TO GET SERVICE

The product or part must be returned for examination, postage prepaid, to a location designated by us. For the name of the location nearest you, please call 1-800-274-6848.

You must provide proof of initial purchase date and an explanation of the complaint must accompany the merchandise. If our inspection discloses a defect, we will repair or replace the product, or refund the purchase price, at our option. We will return the repaired product or replacement at our expense unless it is determined by us that there is no defect, or that the defect resulted from causes not within the scope of our warranty in which case we will, at your direction, dispose of or return the product. In the event you choose to have the product returned, you will be responsible for the shipping and handling costs of the return.

HOW STATE LAW APPLIES

This warranty gives you specific legal rights; you may also have other rights which vary from state to state.

LIMITATIONS ON THIS WARRANTY

WALTER MEIER (MANUFACTURING) INC., LIMITS ALL IMPLIED WARRANTIES TO THE PERIOD OF THE LIMITED WARRANTY FOR EACH PRODUCT. EXCEPT AS STATED HEREIN, ANY IMPLIED WARRANTIES OR MERCHANTABILITY AND FITNESS ARE EXCLUDED. SOME STATES DO NOT ALLOW LIMITATIONS ON HOW LONG THE IMPLIED WARRANTY LASTS, SO THE ABOVE LIMITATION MAY NOT APPLY TO YOU.

WALTER MEIER SHALL IN NO EVENT BE LIABLE FOR DEATH, INJURIES TO PERSONS OR PROPERTY, OR FOR INCIDENTAL, CONTINGENT, SPECIAL, OR CONSEQUENTIAL DAMAGES ARISING FROM THE USE OF OUR PRODUCTS. SOME STATES DO NOT ALLOW THE EXCLUSION OR LIMITATION OF INCIDENTAL OR CONSEQUENTIAL DAMAGES, SO THE ABOVE LIMITATION OR EXCLUSION MAY NOT APPLY TO YOU.

Walter Meier sells through distributors only. The specifications in Walter Meier catalogs are given as general information and are not binding. Members of Walter Meier reserve the right to effect at any time, without prior notice, those alterations to parts, fittings, and accessory equipment which they may deem necessary for any reason whatsoever. JET®-branded products are not sold in Canada by Walter Meier.

Table of Contents

Warranty and Service	2
Table of Contents	3
Warning.....	4
Introduction	5
Specifications	6
Grounding Instructions.....	7
On-Off Switch Padlock.....	8
Uncrating and Clean-Up	9
Assembly	10
Controls.....	11
Nomenclature and Use	12
Adjusting Tool Rest	12
Operation	13
Lathe Tools.....	13
Spindle Turning.....	13
Centering the Work	13
Mounting the Work.....	14
Adjusting the Tool Rest	14
Position of Hands.....	14
Roughing a Cylinder.....	14
Smoothing a Cylinder.....	14
Using the Parting Tool.....	15
Face Plate Turning.....	15
JWL-1236 Parts Breakdown	16
JWL-1236 Parts List	17
Electrical Connections	19



Warnings

1. Read and understand the entire owner's manual before attempting assembly or operation.
2. Read and understand the warnings posted on the machine and in this manual. Failure to comply with all of these warnings may cause serious injury.
3. Replace the warning labels if they become obscured or removed.
4. This lathe is designed and intended for use by properly trained and experienced personnel only. If you are not familiar with the proper and safe operation of a lathe, do not use until proper training and knowledge have been obtained.
5. Do not use this lathe for other than its intended use. If used for other purposes, Walter Meier (Manufacturing), Inc., disclaims any real or implied warranty and holds itself harmless from any injury that may result from that use.
6. Always wear approved safety glasses/face shields while using this lathe. Everyday eyeglasses only have impact resistant lenses; they are not safety glasses.
7. Before operating this lathe, remove tie, rings, watches and other jewelry, and roll sleeves up past the elbows. Do not wear loose clothing. Confine long hair. Non-slip footwear or anti-skid floor strips are recommended. Do not wear gloves.
8. Wear ear protectors (plugs or muffs) during extended periods of operation.
9. Tighten all locks before operating.
10. Rotate workpiece by hand to check clearance before applying power.
11. Rough out the workpiece before installing on the faceplate.
12. Do not mount a split workpiece or one containing a knot.
13. Use the lowest speed when starting a new workpiece.
14. Do not use this machine in damp or wet locations, or expose it to rain. Keep work area well lighted.
15. Feed work into a blade or cutter only against the direction of rotation of the blade or cutter.
16. Some dust created by power sanding, sawing, grinding, drilling and other construction activities contains chemicals known to cause cancer, birth defects or other reproductive harm. Some examples of these chemicals are:
 - Lead from lead based paint.
 - Crystalline silica from bricks, cement and other masonry products.
 - Arsenic and chromium from chemically treated lumber.Your risk of exposure varies, depending on how often you do this type of work. To reduce your exposure to these chemicals, work in a well-ventilated area and work with approved safety equipment, such as face or dust masks that are specifically designed to filter out microscopic particles.
17. Do not operate this machine while tired or under the influence of drugs, alcohol or any medication.
18. Make certain the switch is in the **OFF** position before connecting the machine to the power supply.
19. Make certain the machine is properly grounded.
20. Make all machine adjustments or maintenance with the machine unplugged from the power source.
21. Remove adjusting keys and wrenches. Form a habit of checking to see that keys and adjusting wrenches are removed from the machine before turning it on.
22. Keep safety guards in place at all times when the machine is in use. If removed for maintenance purposes, use extreme caution and replace the guards immediately after maintenance is complete.
23. Provide for adequate space surrounding work area and non-glare, overhead lighting.



Warnings

24. Keep the floor around the machine clean and free of scrap material, oil and grease. Remove loose items and unnecessary workpieces from the area before starting the machine.
25. Check damaged parts. Before further use of the machine, a guard or other part that is damaged should be carefully checked to determine that it will operate properly and perform its intended function. Check for alignment of moving parts, binding of moving parts, breakage of parts, mounting and any other conditions that may affect its operation. A guard or other part that is damaged should be properly repaired or replaced.
26. Keep visitors a safe distance from the work area. **Keep children away.**
27. Make your workshop child proof with padlocks, master switches or by removing starter keys.
28. Give your work undivided attention. Looking around, carrying on a conversation and “horse-play” are careless acts that can result in serious injury.
29. Maintain a balanced stance at all times so that you do not fall or lean against the workpiece, spindle or other moving parts. Do not overreach or use excessive force to perform any machine operation.
30. Use the right tool at the correct speed and feed rate. Do not force a tool or attachment to do a job for which it was not designed. The right tool will do the job better and more safely.
31. Use recommended accessories; improper accessories may be hazardous.
32. Maintain tools with care. Keep tools sharp and clean for the best and safest performance. Follow instructions for lubricating and changing accessories.
33. Turn off the machine and disconnect from power before cleaning. Use a brush or compressed air to remove chips or debris — do not use your hands.
34. Do not stand on the machine. Serious injury could occur if the machine tips over.
35. Never leave the machine running unattended. Turn the power off and do not leave the machine until it comes to a complete stop.
36. Use the proper extension cord. Make sure your extension cord is in good condition. When using an extension cord, be sure to use one heavy enough to carry the current your product will draw. An undersized cord will cause a drop in the line voltage resulting in loss of power and overheating. **For runs up to 25 feet, use an 18AWG or larger gauge cord. For runs up to 50 feet, use a 16AWG or larger gauge cord. For runs up to 100 feet, use a 14AWG or larger gauge cord. For runs up to 150 feet, use a 12AWG or larger gauge cord. Runs over 150 feet are not recommended.** If in doubt, use the next heavier gauge. The smaller the gauge number, the heavier the cord.

Familiarize yourself with the following safety notices used in this manual:



This means that if precautions are not heeded, it may result in minor injury and/or possible machine damage.



This means that if precautions are not heeded, it may result in serious or even fatal injury.

- - SAVE THESE INSTRUCTIONS - -

Introduction

This manual is provided by Walter Meier (Manufacturing) Inc., covering the safe operation and maintenance procedures for a JET Model JWL-1236 Woodworking Lathe. This manual contains instructions on installation, safety precautions, general operating procedures, maintenance instructions and parts breakdown. This machine has been designed and constructed to provide years of trouble free operation if used in accordance with instructions set forth in this manual. If there are any questions or comments, please contact either your local supplier or Walter Meier. Walter Meier can also be reached at our web site: www.waltermeier.com.

Specifications

Model Number.....JWL-1236
 Stock Number 708352
 Motor TEFC, 3/4HP, 1PH, 115V Only, 60Hz, 8A, 1720 RPM
 Switch..... manual pushbutton

Construction:

Headstock cast iron
 Tailstock cast iron
 Bed..... cast iron
 Tool Rest cast iron
 Stand..... steel

Dimensions:

Swing Over Bed (in.) 12
 Swing Over Tool Rest Base (in.) 8-3/4
 Distance Between Centers, maximum (in.) 35
 Outboard Turning (in.) up to 16-1/2
 Overall Dimensions (LxWxH)(in.) 60 x 17 x 44
 Stand Footprint (LxW)(in.) 43-1/2 x 18-1/2
 Distance Floor to Bed (in.) 34-1/2

Headstock:

Spindle Nose (in.)..... 1 x 8TPI
 Hole through Spindle (in.) 3/8
 Spindle Center to Floor (in.) 40-1/2
 Spindle Taper #2 Morse
 Headstock Pivot (deg.) 360
 Positive Stops (deg.) 45 and 90
 Spindle Speeds (RPM)..... (six): 550, 900, 1250, 1650, 2600, 3000
 Drive Pulley System Reeves
 Locking System cam (tool-less)

Tailstock:

Hole through Tailstock (in.) 3/8
 Tailstock Taper..... #2 Morse
 Ram Travel (in.) 2-1/4
 Locking System cam (tool-less)

Tool Rest:

Base Locking System..... cam (tool-less)
 Tool Rest Provided (in.) 6

Weight:

Net, approximate (lbs.) 172 Lbs.
 Shipping, approximate (lbs.) 190 Lbs.

The above specifications were current at the time this manual was published, but because of our policy of continuous improvement, Walter Meier reserves the right to change specifications at any time and without prior notice, without incurring obligations.

Grounding Instructions

CAUTION This tool must be grounded while in use to prevent electric shock.

In the event of a malfunction or breakdown, grounding provides a path of least resistance for electric current to reduce the risk of electric shock. This tool is equipped with an electric cord having an equipment-grounding conductor and a grounding plug. The plug must be plugged into a matching outlet that is properly installed and grounded in accordance with all local codes and ordinances.

Do not modify the plug provided. If it will not fit the outlet, have the proper outlet installed by a qualified electrician.

Improper connection of the equipment-grounding conductor can result in a risk of electric shock. The conductor, with insulation having an outer surface that is green with or without yellow stripes, is the equipment-grounding conductor. If repair or replacement of the electric cord or plug is necessary, do not connect the equipment-grounding conductor to a live terminal.

Check with a qualified electrician or service personnel if the grounding instructions are not completely understood, or if in doubt as to whether the tool is properly grounded.

Use only three wire extension cords that have three-prong grounding plugs and three-pole receptacles that accept the tool's plug.*

Repair or replace a damaged or worn cord immediately.

This tool is intended for use on a circuit that has an outlet that looks the one illustrated in Figure A below. The tool has a grounding plug that looks like the grounding plug as illustrated in Figure A below. A temporary adapter, which looks like the adapter as illustrated in Figure B below, may be used to connect this plug to a two-pole receptacle, as shown in Figure B if a properly grounded outlet is not available.** The temporary adapter should only be used until a properly grounded outlet can be installed by a qualified electrician. The green colored rigid ear or tab, extending from the adapter, must be connected to a permanent ground such as a properly grounded outlet box.

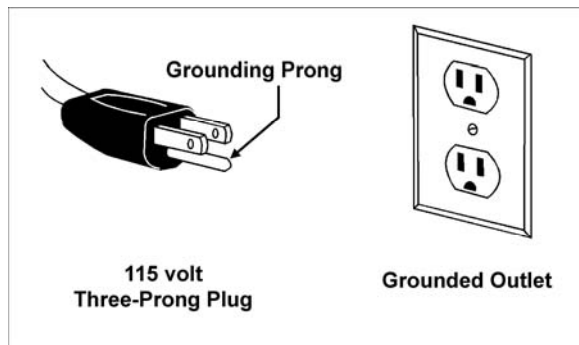


Figure A

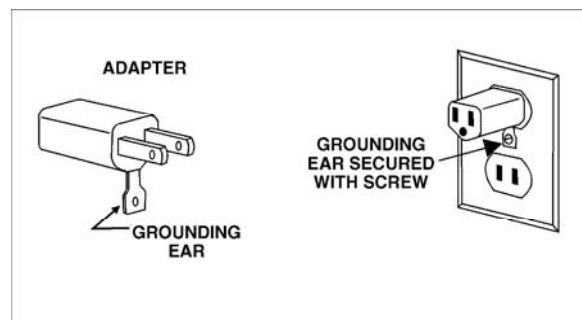


Figure B

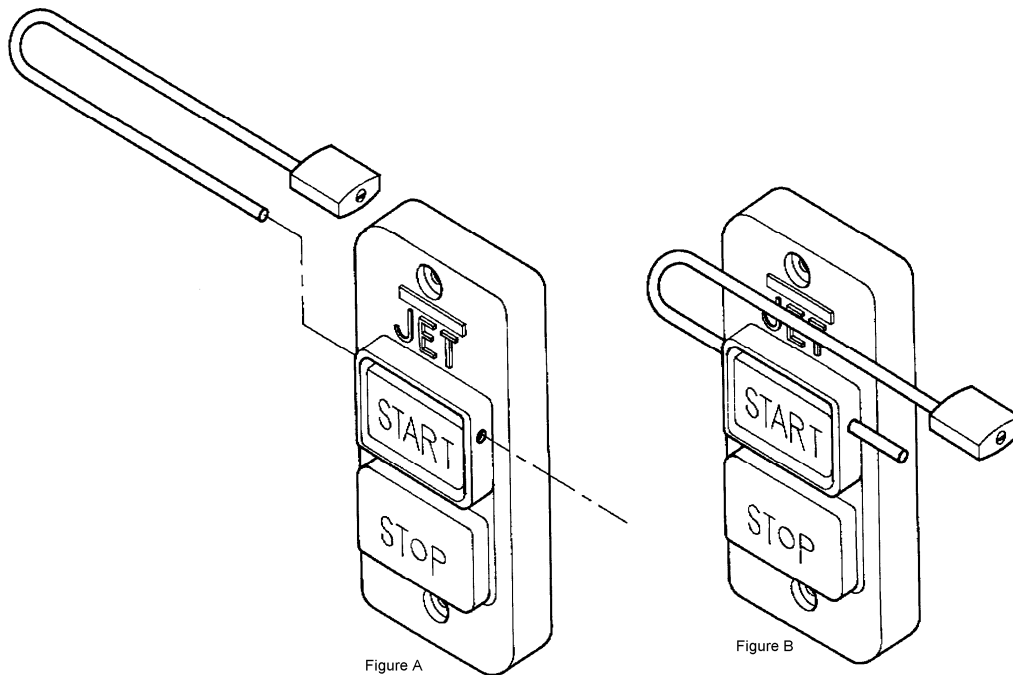
* Canadian electrical codes require extension cords to be certified SJT type or better.

** Use of an adapter in Canada is not acceptable.

On-Off Switch Padlock

Stock No. 709012-A

To safeguard your machine from unauthorized operation and to avoid accidental starting by young children, the use of a padlock is highly recommended. A padlock, stock no. 709012-A, is available from your local authorized JET distributor or by calling Walter Meier (Manufacturing) at 800-274-6848.



To lock out an on-off switch:

1. Open the padlock. See Figure A.
2. Insert through holes in the start button. See Figure B.
3. Close the padlock.
4. Place the key in a safe place.

Uncrating and Clean-Up

Note: Uncrating and assembly will require two people due to the machine's size and weight.

1. Finish removing contents from the shipping crate. Be sure to check crate thoroughly for any parts not found on initial unpacking.
2. Inspect contents for shipping damage and report any damage to your distributor.
3. Clean all protected parts with kerosene. Do not use gasoline, paint thinner, or any other cellulose-based solvent. These will damage painted surfaces and melt plastic.

Contents of Shipping Carton:

- 1 Lathe Bed with Motor and Tailstock
- 1 12-inch Tool Rest with Extension
- 4 Stand Legs
- 2 Long Stand Braces
- 2 Short Stand Braces
- 2 Stand Tops
- 1 Bed Extension
- 1 Headstock Handwheel
- 1 6-inch Face Plate
- 1 Drift Rod
- 1 Live Center
- 1 Spur Center
- 2 Index Pins
- 1 Safety Goggles
- 1 Hardware Package (nuts, bolts, etc.)
- 1 Operator's Manual
- 1 Warranty Card

Tools Required for Assembly

No. 1 cross point screwdriver

No. 1 flat blade screwdriver

Hex wrench set

Adjustable wrench or combination wrench set

Use of sockets and a ratchet will speed stand assembly but are not required.

Assembly

Note: Assemble stand completely and mount bed to stand before tightening all nuts. Hand tighten only during this part of the assembly process.

Referring to Figure 1:

1. Attach a stand top (A) to a stand leg (B) with three 5/16"x1" carriage bolts (C), three 5/16" flat washers (D), three 5/16" lock washers (E), and three 5/16" hex nuts (F). Stand top must be placed inside stand leg.
2. Attach second stand leg to previous assembly in the same manner.
3. Repeat these steps with the remaining two stand legs and stand top.
4. Join the two leg assemblies by attaching long braces (G) to each leg and fastening with eight 5/16"x1" carriage bolts (C), eight 5/16" flat washers (D), eight 5/16" lock washers (E) and eight 5/16" hex nuts (F). Remember to hand tighten only at this time.
5. Attach short braces (H) to each end of the stand using four 5/16"x1" carriage bolts (C), four 5/16" flat washers (D), four 5/16" lock washers (E), and four 5/16" hex nuts (F).

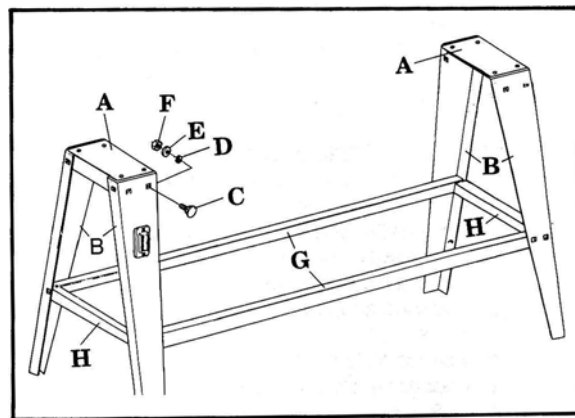


Figure 1

6. Place assembled stand in approximate final location that is solid and level.
7. With the help of a second person, carefully lift bed up and onto stand.

Note: Be sure to place headstock end on the stand end with the switch.

Note: Before setting bed assembly down on the stand top, run motor cord through the hole in the stand top.

8. Align holes on bed with those in the stand top and fasten with eight hex socket cap screws (5/16"x1"), eight lock washers (5/16"), and eight nuts (5/16") supplied. Note: Two larger hex socket cap screws and washers will be used later to attach the bed extension to the bed.
9. Tighten eight hex socket cap screws with a hex wrench.
10. Tighten all stand hardware making sure it is stable on the shop floor.
11. Attach bed extension to bed using two hex socket cap screws (3/8"x1") and two lock washers (3/8") supplied.

Referring to Figure 2:

12. Insert index plunger (A, Figure 2) into the base of the headstock (B, Figure 2) and tighten.
13. Mount the handwheel (C, Figure 2) to the headstock. Note: The handwheel must be removed whenever the drift rod is to be used.

Referring to Figure 3:

14. Attach the headstock lock handle (A, Figure 3) to the head stock lock shaft (B) with one spring (C) and one hex socket cap screw (D).
15. Attach the tailstock handle to the tailstock handwheel and tighten.
16. Connect the motor cord plug to the switch plug.

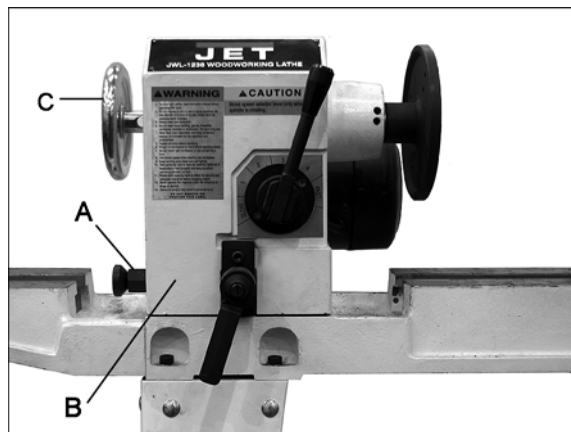


Figure 2

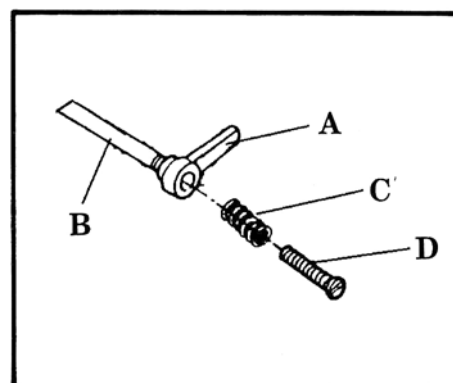


Figure 3

Controls

Speed Selector (A, Figure 4) - selects one of six available speeds. Select desired speed by pulling handle out from headstock and turning to left or right. Release handle and it will engage detent for that speed. **Caution: Never change speeds without motor running. Damage to the variable speed pulleys may result.**

Headstock Lock (B, Figure 4) - locks headstock in a fixed position. Tighten clockwise to lock. Loosen counterclockwise to unlock. **Caution:** always operate lathe with the headstock in the locked position.

Detent Release (C, Figure 4) - pull out and hold to swivel headstock. Release to engage detents at 90 or 180 degrees.

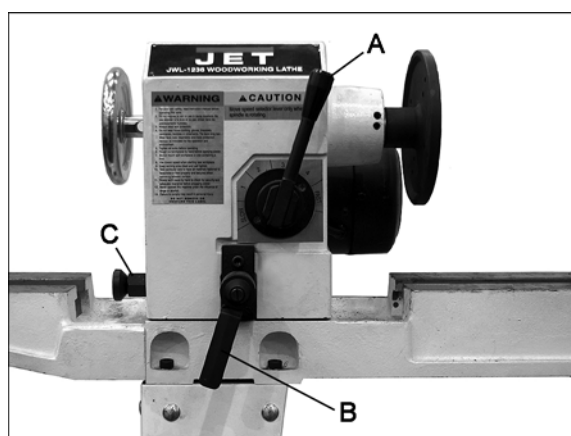


Figure 4

Tailstock Handwheel (A, Fig. 5) - turn clockwise to move tailstock spindle forward. Turn counter-clockwise to retract tailstock spindle.

Tailstock Spindle Lock (B, Fig. 5) - locks tailstock spindle. Release to adjust handwheel.

Tailstock Lock (C, Fig. 5) - locks tailstock in position on the bed. Release to move tailstock assembly closer to or farther from the headstock.

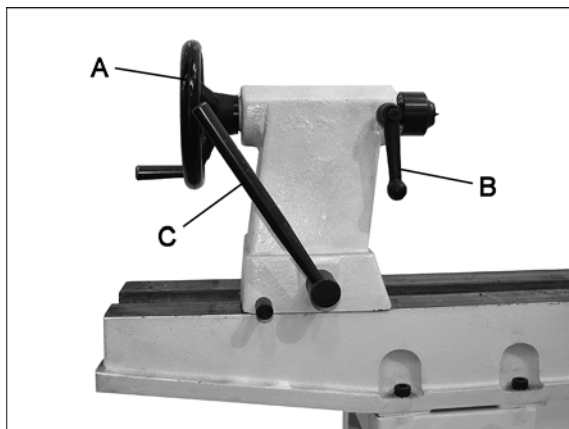


Figure 5

Nomenclature and Use

Spur Center (A, Figure 6) - Locks into headstock and holds the workpiece during spindle turning.

Index and Locking Pins (B, Figure 6) - The threaded pin is used for quick fluting and veining of spindles. The unthreaded pin holds the spindle stationary for installing and removing spur center and face plate.

Face plate (C, Figure 6) - Attaches to headstock and is used in face plate turning operations.

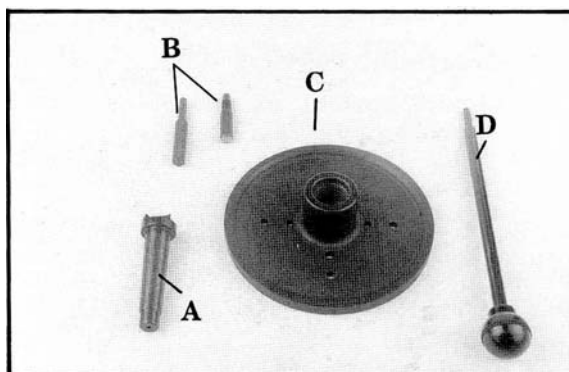


Figure 6

Drift Rod (D, Figure 6) - Fits through the tailstock and headstock to remove the centers.

Tool Rest (Figure 7) - Attaches to any location on the bed or bed extension. Used to steady cutting tool during spindle turning or face plate operations.

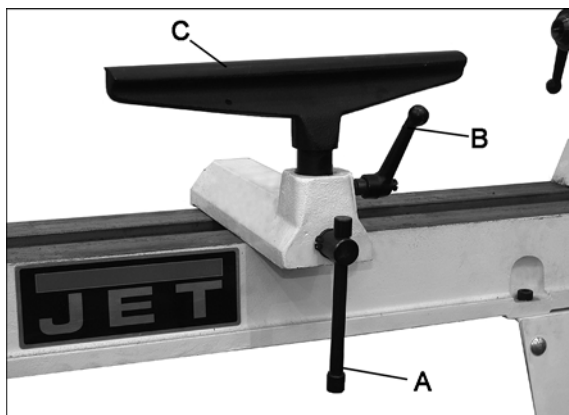


Figure 7

Adjusting Tool Rest

Position the tool rest as close to the work piece as possible. It should be 1/8" above the centerline.

Position the tool rest base on the bed or bed extension by releasing the lock handle (A, Figure 7) and sliding to the desired position. Tighten handle (A, Figure 7) to lock.

Adjust the height of the tool rest by loosening handle (B, Figure 7) and raising arm (C, Figure 7).

Should adjustment of the tool rest clamping device become necessary, simply turn base over and adjust large nut (D, Figure 8).



Figure 8

Operation

⚠WARNING Use supplied face shield or similar protection during all operations! Failure to comply may cause serious injury!

Before attempting work on regular stock, use scrap material to get a feel for the machine.

Lathe Tools

Most turning is accomplished with special woodworking chisels. They are available individually or in sets. Below is a list of eight of the most popular types of chisels:

5/16", 1/2", and 1" Gouge - a round nose, hollow chisel for roughing and cove cutting.

1/2" and 1" Skew - a double ground, flat, and end ground to an angle used for smoothing cylinders and cutting shoulders, beads, v-grooves, etc.

1/2" Diamond Point and 1/2" Round Nose - used where their shape fits the contour of the work.

1/2" Parting Tool - double-ground chisel used for cutting-off, straight incisions, and sizing cuts to any diameter.

Spindle Turning

Most turning on a wood lathe will be between centers, or spindle turning.

Centering the Work

Preparation of the stock for spindle turning starts with finding the center of the work piece. The most common method is the diagonal method. Draw two lines to opposite corners on each end of the workpiece (Figure 9). The intersection of these two lines is the center. Mark both ends of the stock. Mark the center of each end with a punch awl for softer wood or drill each end approximately 1/8" depth for harder woods. Place the spur center on one end and seat it by striking with a mallet. Hold the center and work piece together and prepare to mount between the spindles.

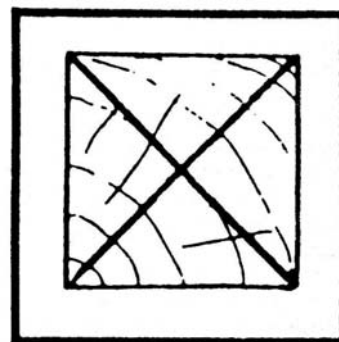


Figure 9

Mounting the Work

Move the tailstock to approximately 1 to 1-1/2" from the end of the work piece and lock in position. Turn the tailstock handwheel until the center makes contact with the work piece. Continue to turn the hand wheel and slowly rotate the work piece by hand. After the work piece becomes difficult to turn by hand, reverse the hand wheel approximately one quarter turn and lock the tailstock spindle (Figure 10).

Adjusting the Tool Rest

Position the tool rest approximately 1/8" away from the work piece and 1/8" above the work centerline. After some experience has been gained, this position can be varied slightly to suit the operation.

Position of Hands

There is no "proper" position for the hands when using chisels. Most beginners begin by using the palm-down grip (Figure 11) for better control and switch later to the palm-up position (Figure 12) for better manipulation. In the palm-down position, the little finger or heel of the hand acts as a guide along the tool rest. The first finger acts as a guide when using the palm-up method.

Roughing a Cylinder

Use a large gouge and run the lathe at a slow speed to rough-off the sharp corners of the work. Begin the cut 2 to 3 inches from the tailstock and work toward and off the tailstock end. Continue by cutting the next 2 to 3 inches left of the first cut, preferably working toward the tailstock end. This method of always working toward the tailstock is preferred because it throws the chips clear of the operator. Do not rough cut by taking one long pass at the work piece and do not start cuts at either end of the work piece. This has a tendency to tear long slivers from the work piece. Roll the gouge over slightly in the direction of the cut for best results. Once a cylindrical form has started to take shape, step up the speed one or two stops.

Smoothing a Cylinder

Use a large skew chisel with the cutting point near the center of the chisel and high up on the work piece. Support the chisel on the tool rest at all times. To locate the proper cutting position, place the chisel flat against the work piece with the skew well over the area to be cut. Pull back slowly on the chisel until it bites into the wood. Raising the handle will increase the depth of cut; lowering the handle will decrease the depth of cut.

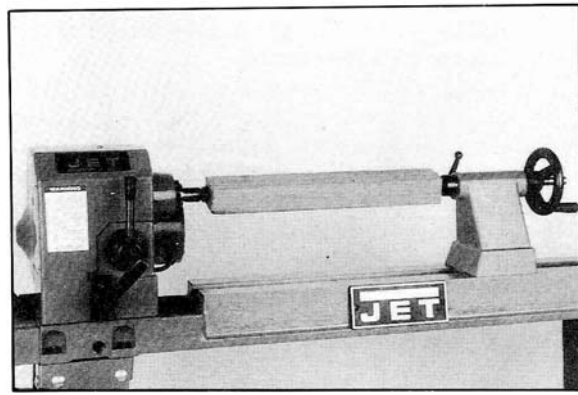


Figure 10

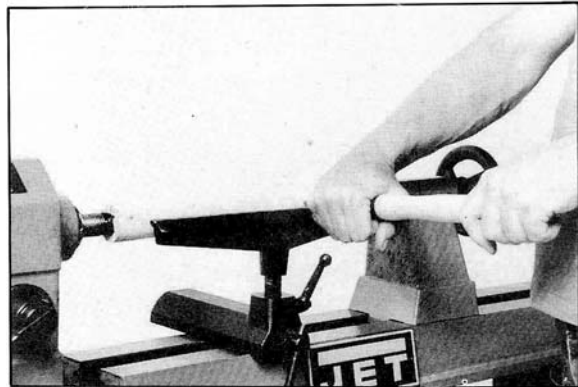


Figure 11

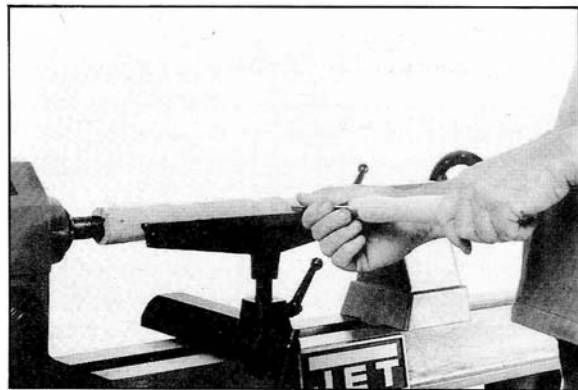


Figure 12

Using the Parting Tool

The parting tool is a scraping tool and is simply pushed into the work piece. A better cutting action is obtained by starting the cut with the handle low and gradually raising it as the cut gets deeper. If the cut is over 3/8" deep, a clearance cut should be made alongside the first cut to avoid burning the chisel point.

Face Plate Turning

Work that cannot be turned between centers must be attached to and turned on a face plate. All work should be cut slightly oversized prior to mounting on the face plate to prevent heavy roughing cuts during turning.

Mount the work piece directly to the face plate using four wood screws from the back. Be careful to use screws short enough not to interfere with the cutting process but long enough to hold the work piece securely to the face plate. If screws will interfere with the cutting process, the work piece can be screwed to a backing block and the backing block screwed to the face plate. If screw mounting is not allowed at all, the work may be glued to a backing block and the backing block screwed to the face plate. A piece of paper in the glue joint will prevent damaging the wood when separated later.

Remove the spur center from the headstock spindle by inserting the drift pin into the opening in the headstock and pushing the spur center out. Mount the face plate with the workpiece already attached onto the threaded portion of the spindle and hand tighten. Note: Pieces up to 12" may be turned with the headstock spindle facing the tailstock (Figure 13). For larger work pieces, the head stock will have to be turned 90 degrees, the tool rest extension added to the tool rest, and the tool rest moved out to the bed extension (Figure 14).

For face plate turning, the tool rest is set approximately 1/8" from the work piece and slightly lower than centerline. The chisel must be held on the left half of the tool rest so that the rotation of the work piece keeps the chisel against the tool rest. Attempts at cutting from the right side of the rest may cause the chisel to be ripped from the operator's hand.

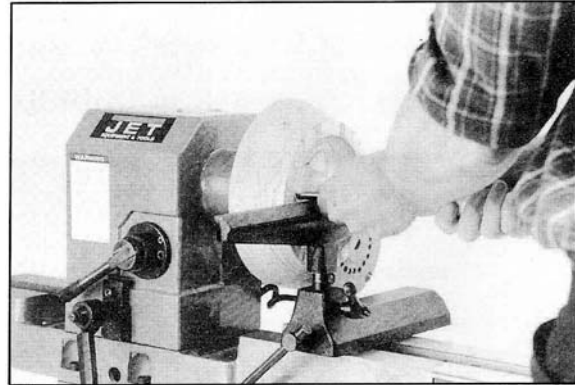


Figure 13

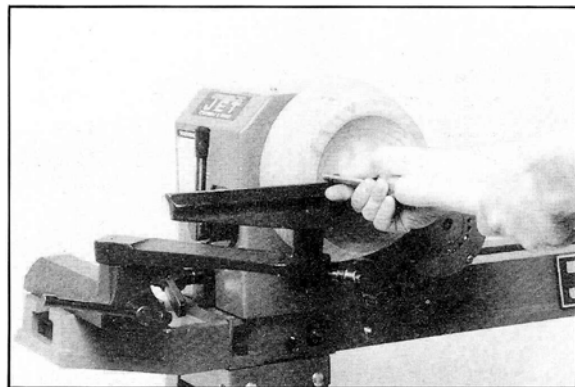
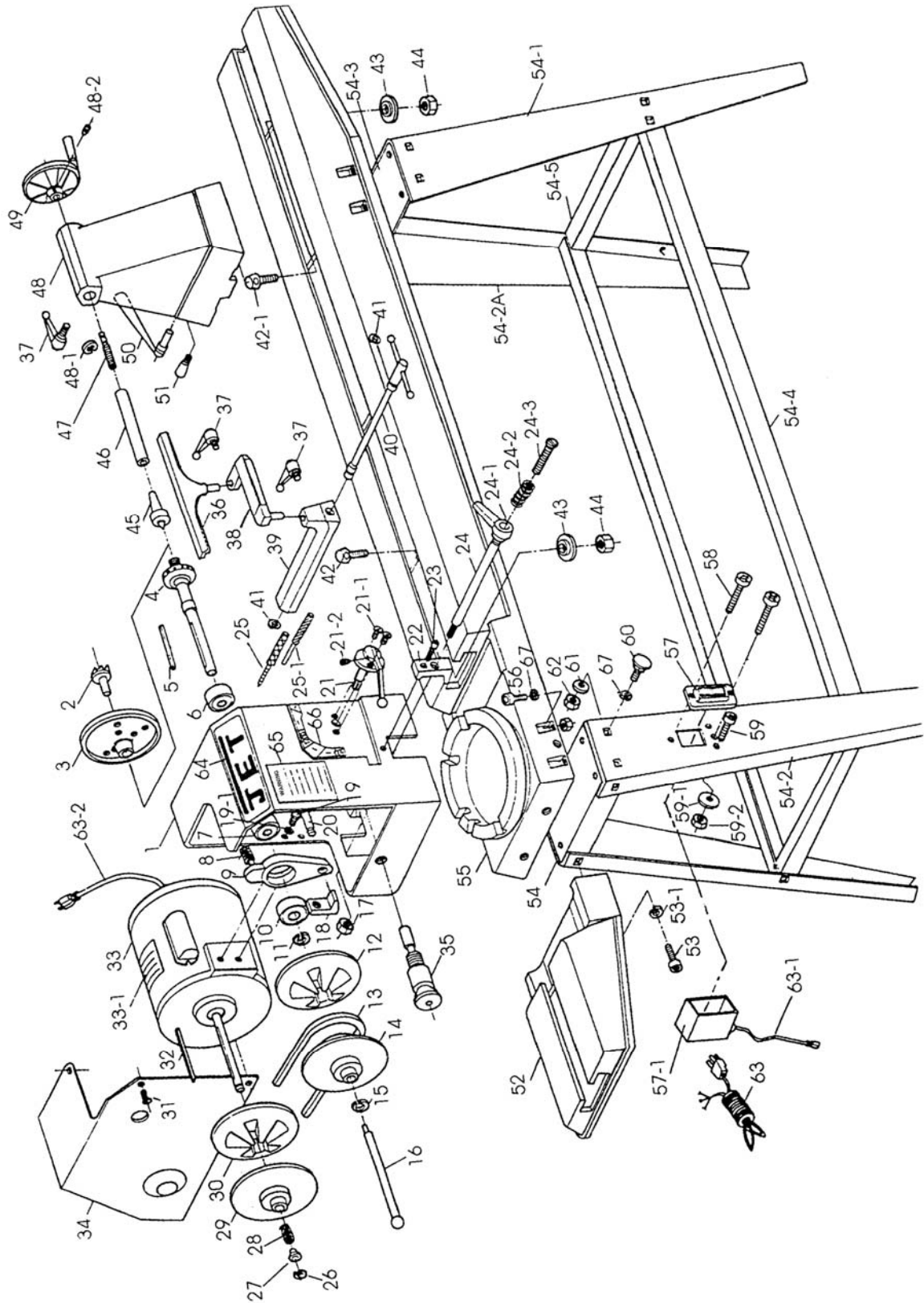


Figure 14

JWL-1236 Parts Breakdown



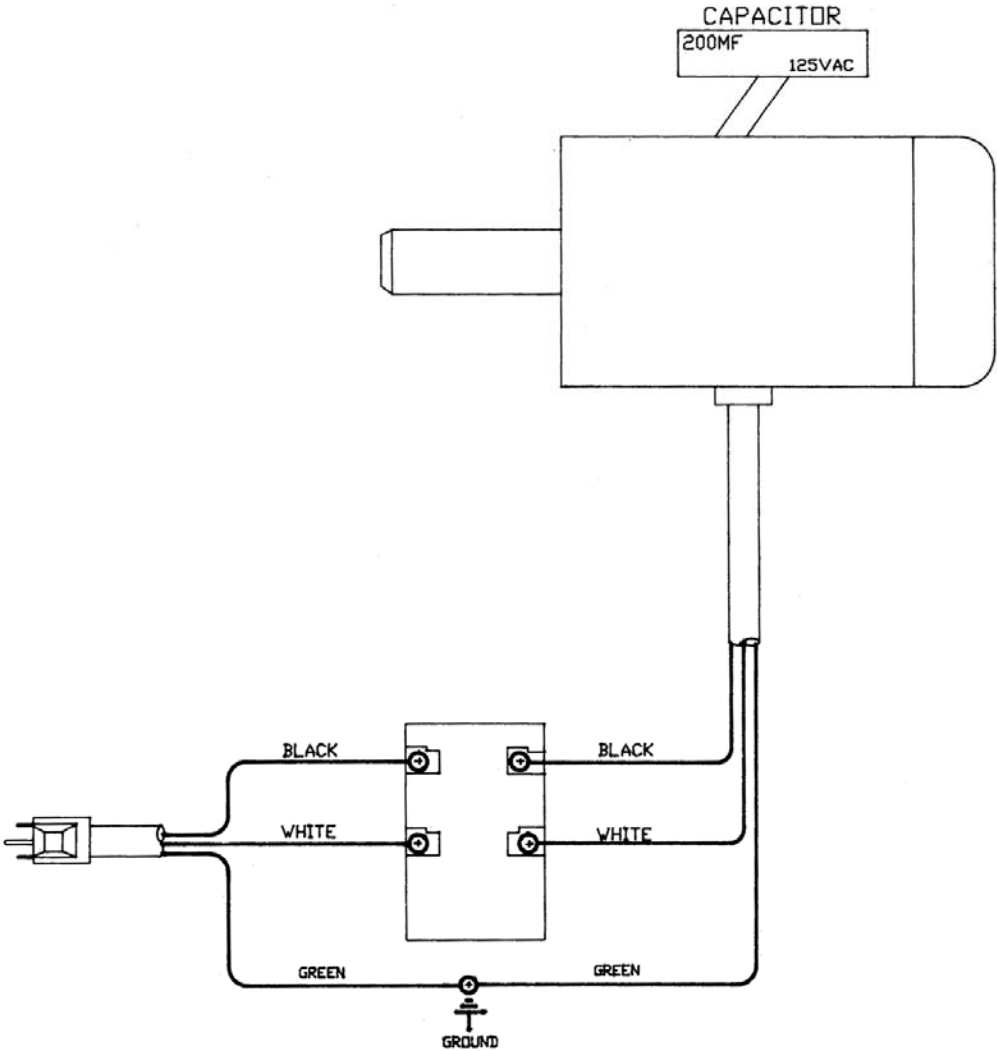
JWL-1236 Parts List

To order parts or reach our service department, call 1-800-274-6848, Monday through Friday (see our website for business hours, www.waltermeier.com). Having the Model Number and Serial Number of your machine available when you call will allow us to serve you quickly and accurately.

Index No.	Part No.	Description	Size	Qty
1	JWL1236-01W	Headstock		1
2	JWL1236-02	Spur Center		1
3	JWL1236-03	Face Plate	6"	1
4	JWL1236-04	Spindle		1
5	JWL1236-05	Key	4x4x85 mm	1
6	BB-6205ZZ	Ball Bearing	6205ZZ	1
7	BB-6205ZZ	Ball Bearing	6205ZZ	1
8	JWL1236-08	Spring		1
9	JWL1236-09	Shifting Lever Bracket		1
10	BB-6006ZZ	Ball Bearing	6006ZZ	1
11	JWL1236-11	C-Clip	S-25	1
12	JWL1236-12	Spindle Pulley (right)		1
13	VB-M23	V-Belt	3L 230	1
14	JWL1236-14	Spindle Pulley (left)		1
15	JWL1236-15	C-Clip	S-24	1
16	JWL1236-16	Drift Rod		1
17	JWL1236-17	Lock Nut	1/2"	2
18	JWL1236-18	Clamp (left)		1
19	TS-0081031	Hex Cap Screw	5/16"x3/4"	2
19-1	TS-0720081	Lock Washer	5/16"	2
20	JWL1236-20	Rack		1
21	JWL1236-21	Speed Selector Assembly		1
21-1	JWL1236-21-1	Flat Head Machine Screw	10"-24x5/8"	2
21-2	JWL1236-21-2	Socket Set Screw	5/16"-18x3/8"	1
22	JWL1236-22	Clamp (right)		1
23	JWL1236-23	Hex Head Screw		1
24	JWL1236-24	Headstock Lock		1
24-1	JWL1236-24-1	Headstock Lock Handle		1
24-2	JWL1236-24-2	Spring		1
24-3	JWL1236-24-3	Screw		1
25	JWL1236-25A	Index Tool (Threaded)		1
25-1	JWL1236-25-1	Index Tool		1
26	JWL1236-26	C-Clip	S-16	1
27	JWL1236-27	Sleeve		1
28	JWL1236-28	Spring		1
29	JWL1236-29	Motor Pulley (right)		1
30	JWL1236-30	Motor Pulley (left)		1
31	JWL1236-31	Pan Head Screw	3/16"x3/8"	4
32	JWL1236-32	Key	4x4x85 mm	1
33	JWL1236-33	Motor w/ Motor Cord		1
	JWL1236-33A	Motor w/ Motor Cord (after serial #305000)		1
	JWL1236-33CS	Centrifugal Switch		1
	JWL1236-33R	Rotor		1
33-1	JWL1236-33-1	Motor Nameplate		1
34	JWL1236-34	Motor Cover		1
	JWL1236-34A	Motor Cover (after serial #305000)		1
35	JWL1236-35	Index Plunger		1
36	JWL1236-36	Tool Rest	3/4"	1
	JWL1236-36A	Tool Rest (after serial #205000)	1"	1
37	JWL1236-37	Handle		3
38	JWL1236-38	Tool Rest Extension	3/4"	1
	JWL1236-38A	Tool Rest Extension (after serial #205000)	1"	1

Index No.	Part No.	Description	Size	Qty
39	JWL1236-39	Tool Rest Body	3/4"	1
	JWL1236-39A	Tool Rest Body (after serial #205000)	1"	1
40	JWL1236-40	Eccentric Rod		1
41	JWL1236-26	C-Clip	S-16	2
42	JWL1236-42	Bolt (Toolrest)		1
42-1	JWL1236-42-1	Bolt (Tailstock)		1
43	JWL1236-43	Clamp		2
44	TS-0650081	Nylon Lock Nut	3/4"	2
45	JWL1236-45	Live Center		1
46	JWL1236-46	Tail Spindle		1
47	JWL1236-47	Tailstock Screw		1
48	JWL1236-48W	Tailstock		1
	JWL1236-48AW	Tailstock Assembly		1
48-1	JWL1236-48-1	C-Ring	S-16	1
48-2	10-8803	Set Screw		1
49	JWL1236-49	Handwheel		1
50	JWL1236-50	Tailstock Lock Handle		1
51	JWL1236-51	Handle Stop		1
52	JWL1236-52W	Bed Extension		1
53	TS-0209051	Hex Socket Cap Screw	3/8"-16x1"	2
53-1	TS-0720091	Lock Washer	3/8"	2
54	JWL1236-54W	Stand Leg (left rear)		1
54-1	JWL1236-54-1W	Stand Leg (right front)		1
54-2	JWL1236-54-2W	Stand Leg (left front - switch)		1
54-2A	JWL1236-54-2AW	Stand Leg (right rear)		1
54-3	JWL1236-54-3W	Stand Top		2
54-4	JWL1236-54-4W	Long Brace		2
54-5	JWL1236-54-5W	Short Brace		2
55	JWL1236-55W	Bed		1
56	TS-0208061	Hex Socket Cap Screw	5/16"-18x1"	8
57	JWL1236-57	Switch (serial #6105922 and lower)		1
	JWL1236-57A	Switch (serial #6115923 and higher)		1
	JWL1236-57B	Switch Assembly CP (serial #6105922 and lower)		1
	JWL1236-57C	Switch Assembly CP (serial #6115923 and higher)		1
57-1	JWL1236-57-1	Switch Box		1
58	JWL1236-58	Screw	M4x24	2
59	JWL1236-59	Screw	3/16"x3/8"	2
59-1	JWL1236-59-1	Key Washer		2
59-2	JWL1236-59-2	Nut	3/16"	2
60	TS-0152011	Carriage Bolt	5/16"x1"	24
61	TS-0680031	Washer	5/16"	24
62	TS-0561021	Nut	5/16"	24
63	JWL1236-63	Power Cord		1
63-1	JWL1236-63-1	Power Cord (switch to motor - serial #6105922 and lower)		1
	JWL1236-63-1A	Power Cord (switch to motor - serial #6115923 and higher)		1
63-2	JWL1236-63-2	Motor Cord (serial #6105922 and lower)		1
	JWL1236-63-2A	Motor Cord (serial #6115923 and higher)		1
64	JWL1236-64	JET Label		1
65	JWL1236-65	Warning Label		1
66	JWL1236-66	Speed Label		1
67	TS-0720081	Lock Washer	5/16"	32
	JWL1236-C	Capacitor (not shown-100MFD,125VAC)		1

Electrical Connections





WALTER MEIER (Manufacturing) Inc.
427 New Sanford Road
LaVergne, Tennessee 37086
Phone: 800-274-6848
www.waltermeier.com