

Item # 1003132154
1003124900
1003063524
1003054956

HOME DECORATORS COLLECTION

Model # 365-302-121
365-302-121-Y
365-302-165-Y
365-302-48-Y

USE AND CARE GUIDE

EDENFIELD COLLECTION: ELECTRIC FIREPLACE MEDIA MANTEL

Before you begin >>>

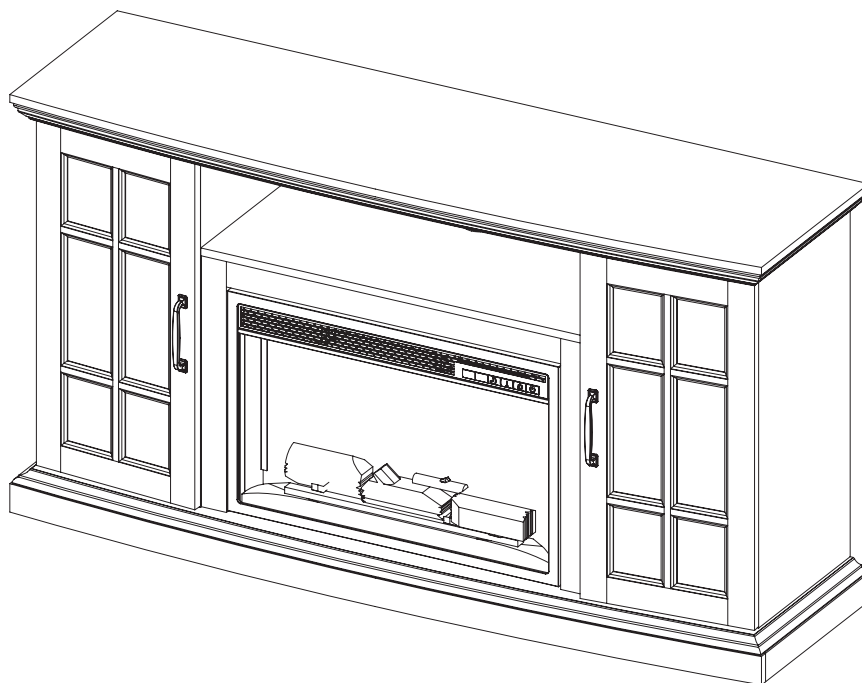
FOR QUICK &
EASY ASSEMBLY
FIND 3D INSTRUCTIONS
FOR THIS PRODUCT IN

BILT.[®]
Intelligent Instructions

DOWNLOAD
THE FREE APP

Download on the
App Store

GET IT ON
Google Play



IMPORTANT INSTRUCTIONS

PLEASE READ THIS MANUAL BEFORE INSTALLING AND USING APPLIANCE

WARNING!

IF THE INFORMATION IN THIS MANUAL IS NOT FOLLOWED EXACTLY, AN ELECTRICAL SHOCK OR FIRE MAY RESULT
CAUSING PROPERTY DAMAGE, PERSONAL INJURY OR LOSS OF LIFE.

INSTALLER: Leave this manual with the appliance.
CONSUMER: Retain this manual for future reference.

Questions, problems, missing parts? Before returning to the store,
call Home Decorators Collection Customer Service
8 a.m. - 7 p.m., EST, Monday-Friday, 9 a.m. - 6 p.m., EST, Saturday

1-800-986-3460

HOMEDEPOT.COM/HOMEDECORATORS

THANK YOU

We appreciate the trust and confidence you have placed in Home Decorators Collection through the purchase of this Avondale Grove collection electric fireplace media mantel. We strive to continually create quality products designed to enhance your home. Visit us online to see our full line of products available for your home improvement needs. Thank you for choosing Home Decorators Collection!

Table of Contents

Table of Contents	2	Package Contents	4
Warranty	2	Assembly	5
Pre-Assembly	3	Care and Cleaning	11
Planning Assembly	3	Shelf Weight Capacity	11
Tools Required	3	Service Parts	11-12
Hardware Included	3	Troubleshooting	13

Warranty

1-YEAR WARRANTY

WHAT IS COVERED

The manufacturer warrants that your new electric fireplace is free from manufacturing and material defects for a period of one year from date of purchase, subject to the following conditions and limitations.

This electric fireplace must be installed and operated at all times in accordance with the instructions furnished with the product. Any alteration, willful abuse, accident, or misuse of the product shall nullify this warranty. This warranty is non-transferrable, and is made to the original owner, provided that the purchase was made through an authorized supplier of the manufacturer. This warranty is limited to the repair or replacement of part(s) found to be defective in material or workmanship, provided that such part(s) have been subjected to normal conditions of use and service, after said defect is confirmed by the manufacturer's inspection. The manufacturer may, at its discretion, fully discharge all obligations with respect to this warranty by refunding the wholesale price of the defective part(s).

WHAT IS NOT COVERED

Any installation, labor, construction, transportation, or other related costs/expenses arising from defective part(s), repair, replacement, or otherwise of same, will not be covered by this warranty, nor shall the manufacturer assume responsibility for same. Further, the manufacturer will not be responsible for any incidental, indirect, or consequential damages, except as provided by law.

All other warranties - expressed or implied - with respect to the product, its components and accessories, or any obligations/liabilities on the part of the manufacturer are hereby expressly excluded. The manufacturer neither assumes, nor authorizes any third party to assume, on its behalf, any other liabilities with respect to the sale of this product. The warranties as outlined within this document do not apply to nonmanufacturer accessories used in conjunction with the installation of this product.

This warranty does not cover the lightbulb(s) included with the fireplace.

This warranty is void if: the fireplace has been operated in atmospheres contaminated by chlorine, fluorine, or other damaging chemicals; the fireplace is subjected to prolonged periods of dampness or condensation; the fireplace is altered, willfully abused, damaged by accident, or misused in any way.

If warranty service is needed, contact the Customer Service Team at 1-800-986-3460 from 8 a.m. - 7 p.m., EST, Monday-Friday, 9 a.m. - 6 p.m., EST, Saturday or visit www.homedepot.com/homedecorators.

Make sure you have your warranty, your sales receipt, and the model/serial number of your product.

DO NOT ATTEMPT TO DO ANY SERVICE WORK YOURSELF.

WARNING

This Product can expose you to chemicals including Di(2-ethylhexyl)phthalate (DEHP) which is known to the State of California to cause cancer and developmental harm.

For more information go to www.p65Warnings.ca.gov

Pre-Assembly

PLANNING ASSEMBLY

Before you begin assembly, locate the instructions and hardware. Compare all parts with the Hardware Included and Package Contents lists. Be sure you have all the parts and can identify them. A helping hand is always good. Assemble your mantel with an adult assistant if possible. Some pieces are heavy and will need to be held by a helper. Assembly time will take approximately 30-60 minutes.

Before assembly, use scissors to unwrap the parts from the packaging. Do not use a box cutter or exacto-knife, as you may cut into the mantel pieces inside the box and damage the finish. Check for the red hardware bag located inside the packaging. Do not discard any pieces. Use an appropriate screwdriver to insert and tighten all screws.

TOOLS REQUIRED



Safety goggles

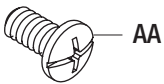


Phillips screwdriver

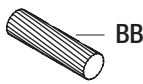
HARDWARE INCLUDED



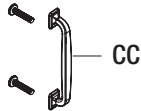
NOTE: Hardware not shown to actual size.



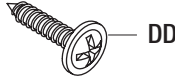
AA



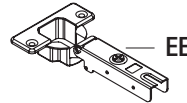
BB



CC



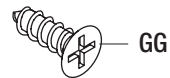
DD



EE



FF

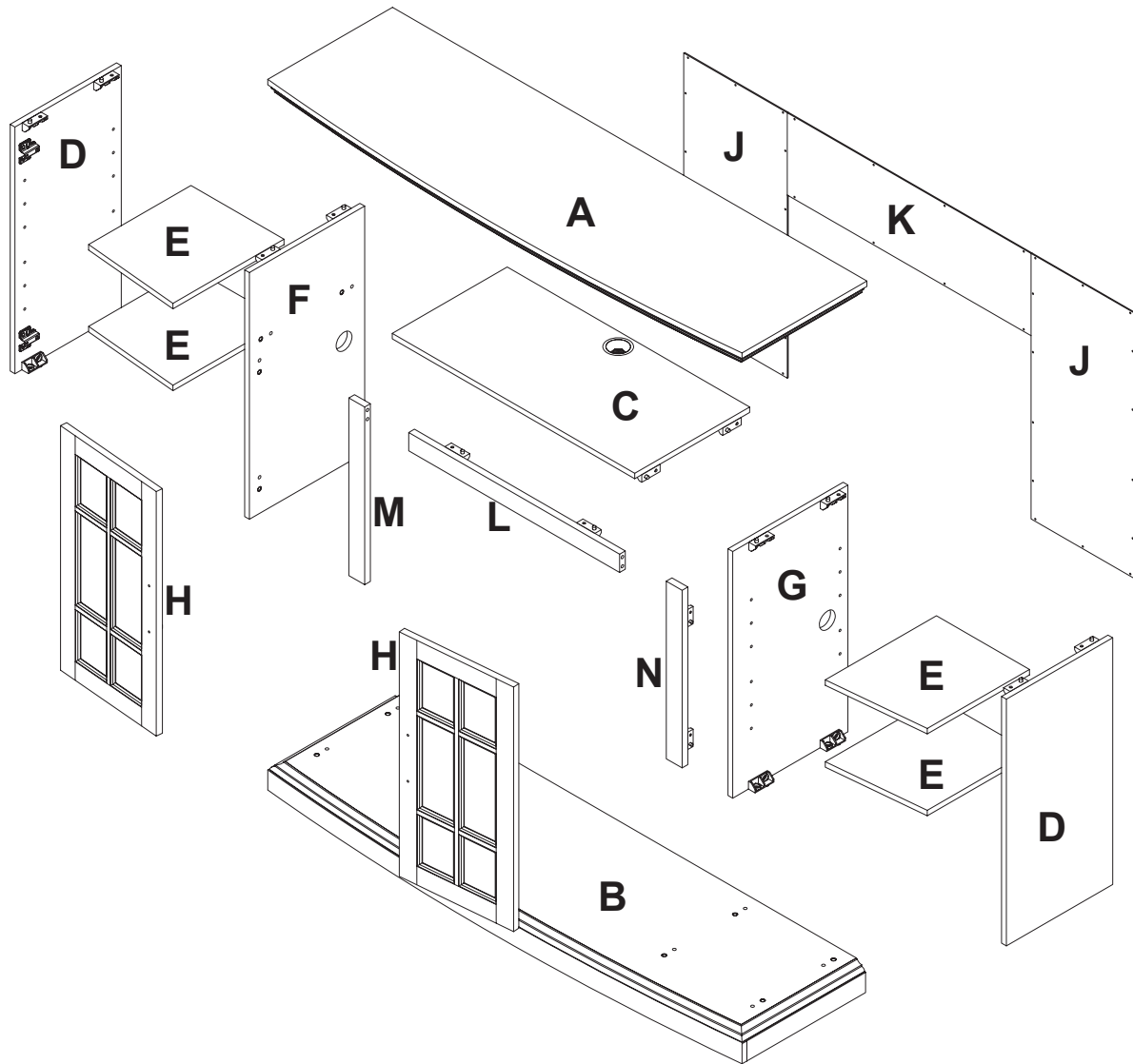


GG

Part	Description	Quantity
AA	Bolt	26 + 2 extra
BB	Dowel	4 + 1 extra
CC	Knob	2
DD	Back Panel Screw	36 + 2 extra
EE	Hinge	4
FF	Shelf Pin	16 + 2 extra
GG	Hinge Screw	8

Pre-Assembly (continued)

PACKAGE CONTENTS

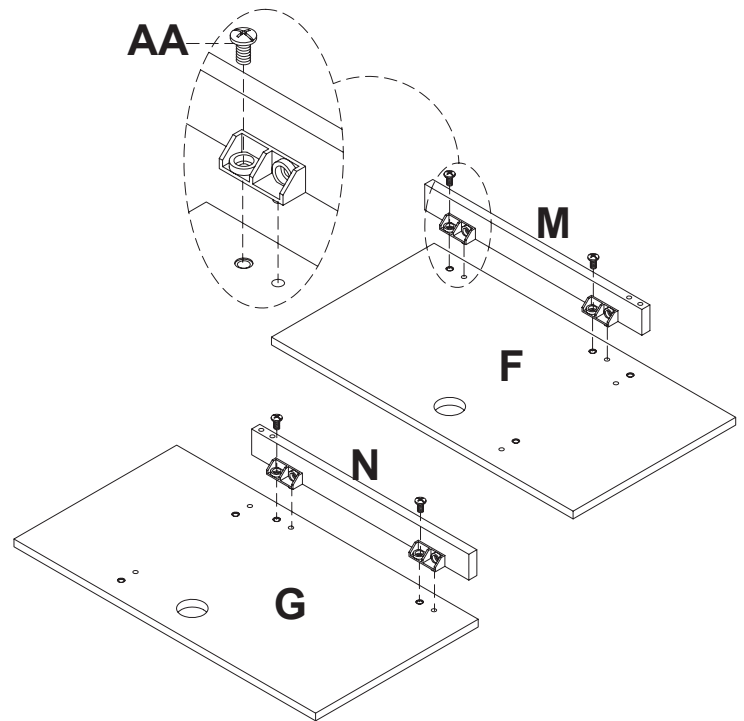


Part	Description	Quantity
A	Top Panel	1
B	Base Panel	1
C	Media Shelf	1
D	Side Panel	2
E	Adjustable Shelf	4
F	Left Inside Panel	1
G	Right Inside Panel	1

Part	Description	Quantity
H	Cabinet Door	2
J	Side Back Panel	2
K	Upper Back Panel	1
L	Top Trim	1
M	Left Trim	1
N	Right Trim	1

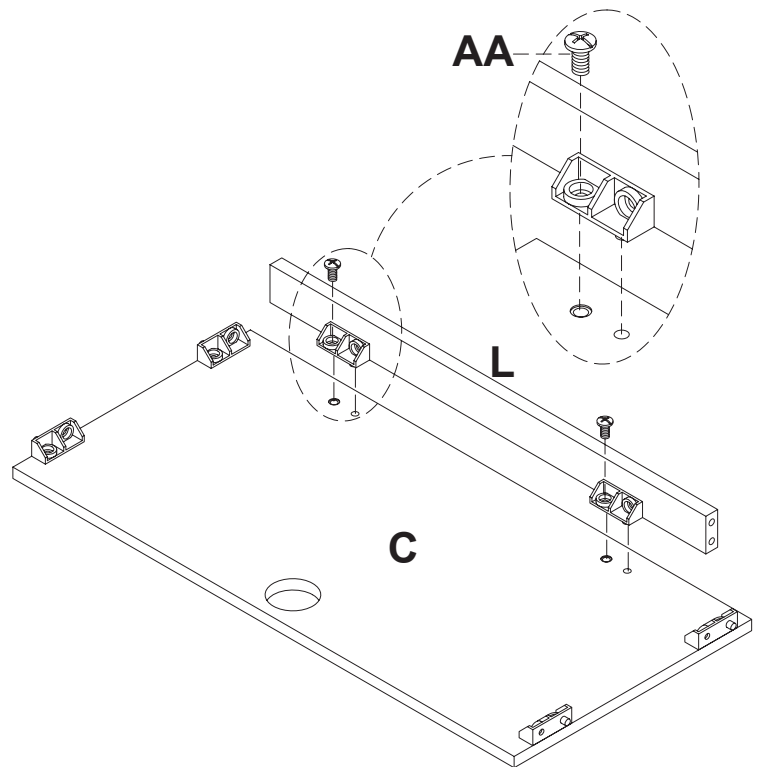
1 Attaching the trim to side panels

- Locate the inside panels (F & G) and place on a soft surface to protect the finish.
- Attach the left trim (M) and right trim (N) to the inside panels by turning the bolts (AA) clockwise through the connector. Do not strip the bolts (AA) by overtightening.



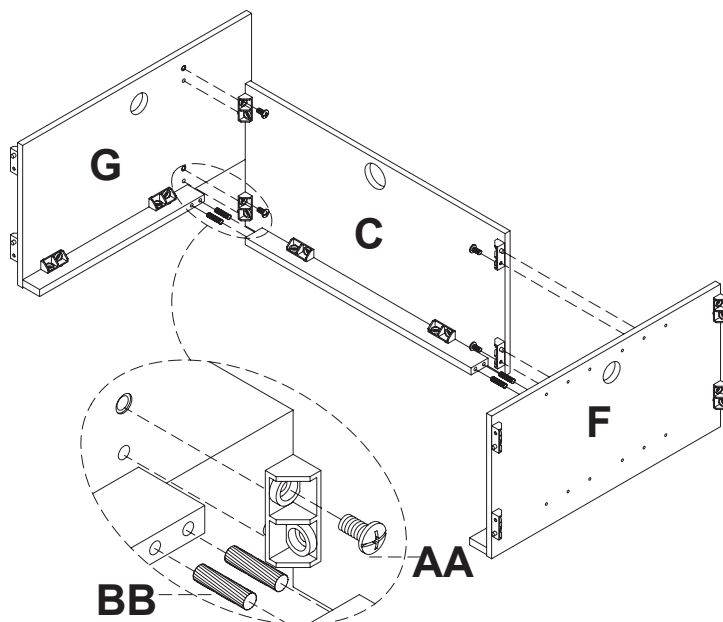
2 Attaching the top trim to media base

- Locate the media shelf (C) and place on a soft surface to protect the finish.
- Attach the top trim (L) to the media shelf by turning two bolts (AA) clockwise through the connector. Do not strip the bolt (AA) by overtightening.



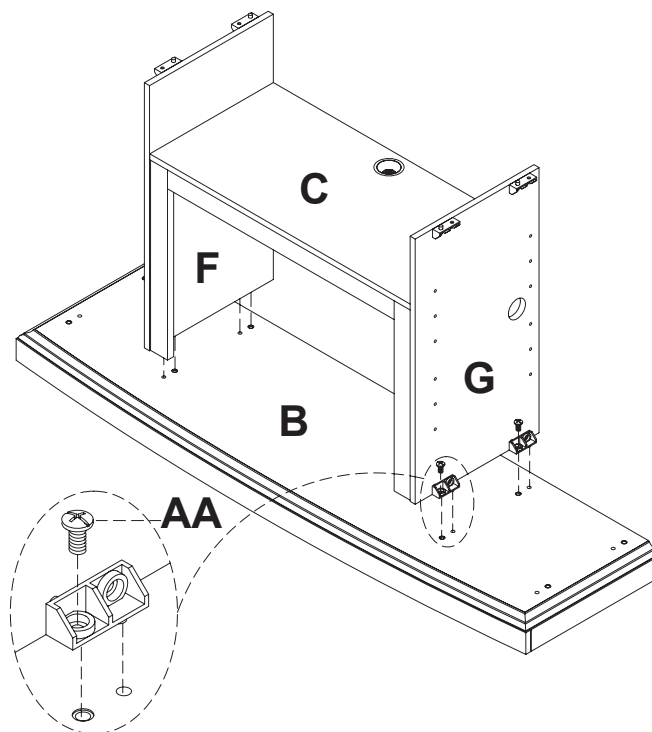
3 Attaching the media shelf

- Insert four wood dowels (BB) into the unthreaded holes in the media shelf (C).
- Line up the four wood dowels (BB) in the media shelf (C) with the unthreaded holes in the left and right inside panels (G & F).
- Press together firmly until flush.
- Insert four bolts (AA) into the connector on the media shelf (C).
- Attach the left and right inside panels (G & F) to the media shelf assembly (C) by turning the bolts (AA) clockwise. Do not strip the bolts (AA) by overtightening.



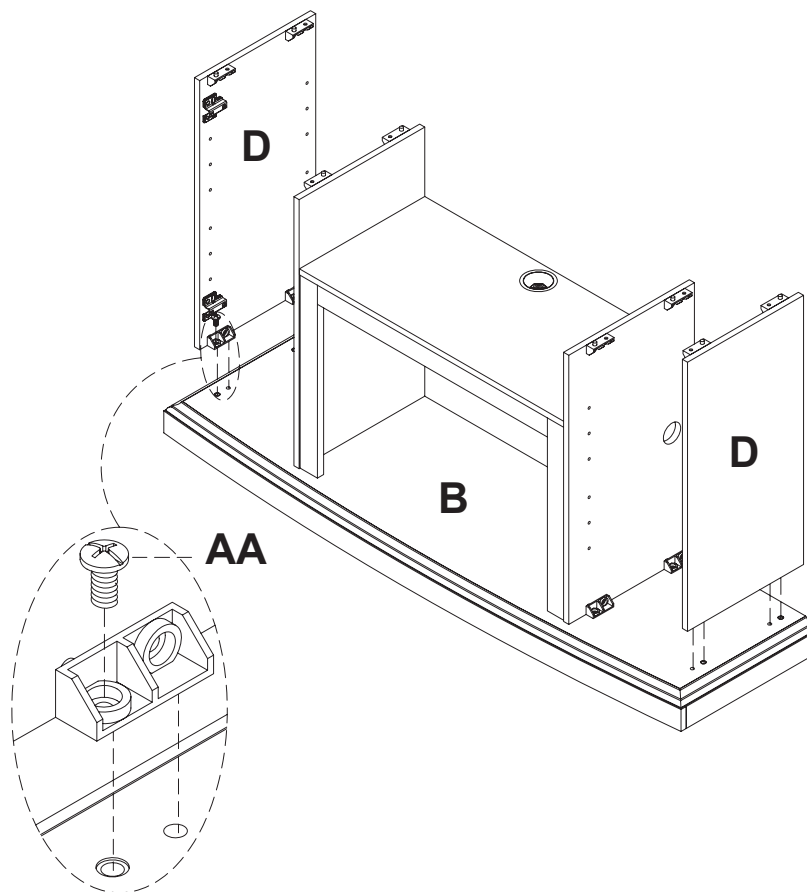
4 Attaching the base

- Locate the base panel (B). Attach the base panel (B) to the media shelf assembly by inserting four bolts (AA) through the connectors and turning clockwise. Do not strip the bolts (AA) by overtightening.



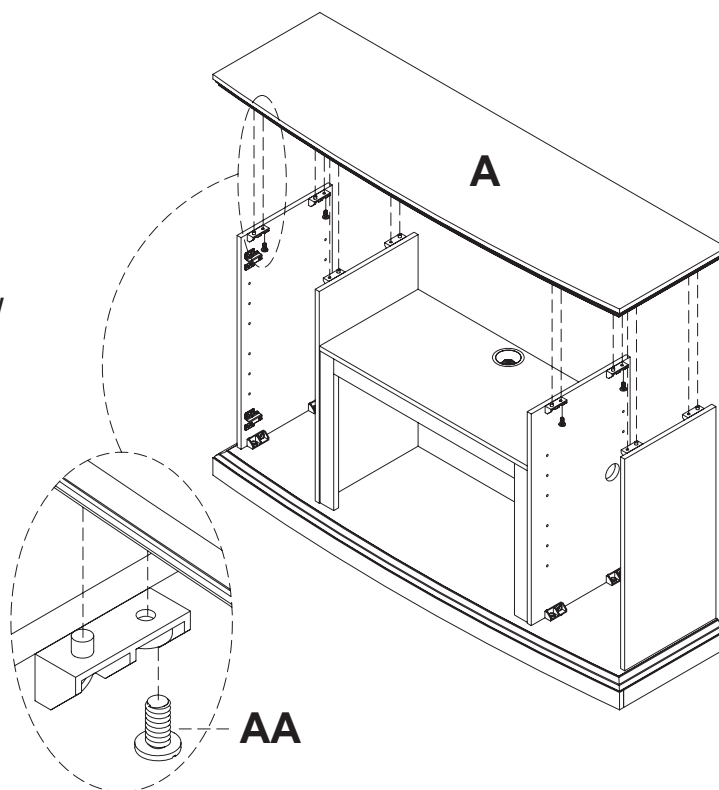
5 Attaching the side panels

- Line up the connectors on the side panels (D) with holes on the base (B).
- Attach the left and right side panels (D) to the base assembly by inserting four bolts (AA) through the connector in the side panels and turning clockwise. Do not strip the bolts (AA) by overtightening.



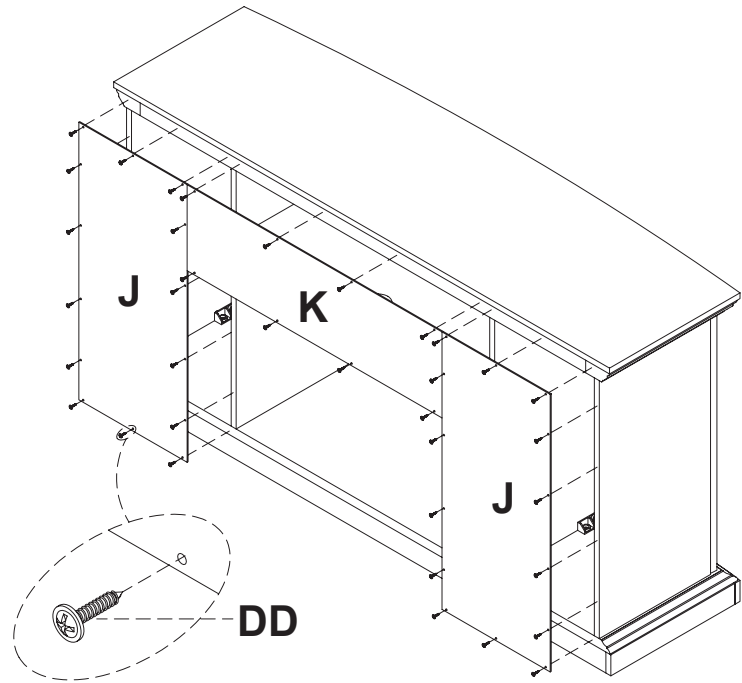
6 Attaching the top panel

- Line up the connectors on the side and inside panels with the holes on the top panel (A)
- Attach the top panel (A) to the assembly by inserting eight bolts (AA) through the connectors on the side and inner panels and turning clockwise. Do not strip the bolts (AA) by overtightening.



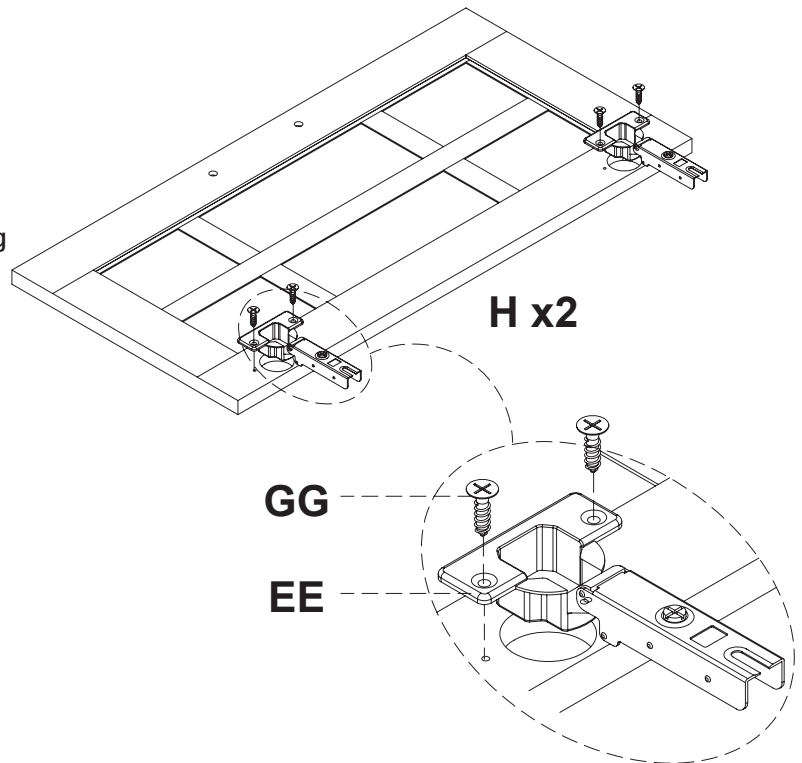
7 Attaching the back panels

- Locate the back panels (J & K) and line them up to the back of the media console with the finished side facing in.
- Insert and tighten thirty-six screws (DD) to attach the back panels (J & K) to the media console.
- Do not strip the screws (DD) by overtightening.



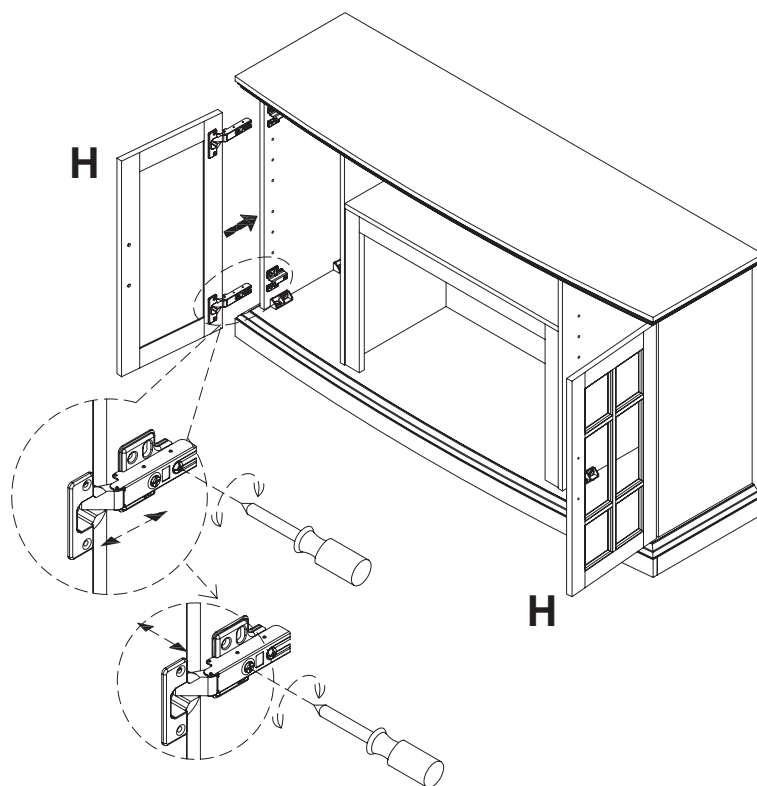
8 Attaching hardware onto the doors

- Locate the two cabinet doors (H) and place on a soft surface to protect the finish.
- Attach two hinges (EE) to the cabinet doors (H) by inserting eight hinge screws (GG) and turning clockwise. Do not strip the hinge screws (GG) by overtightening.



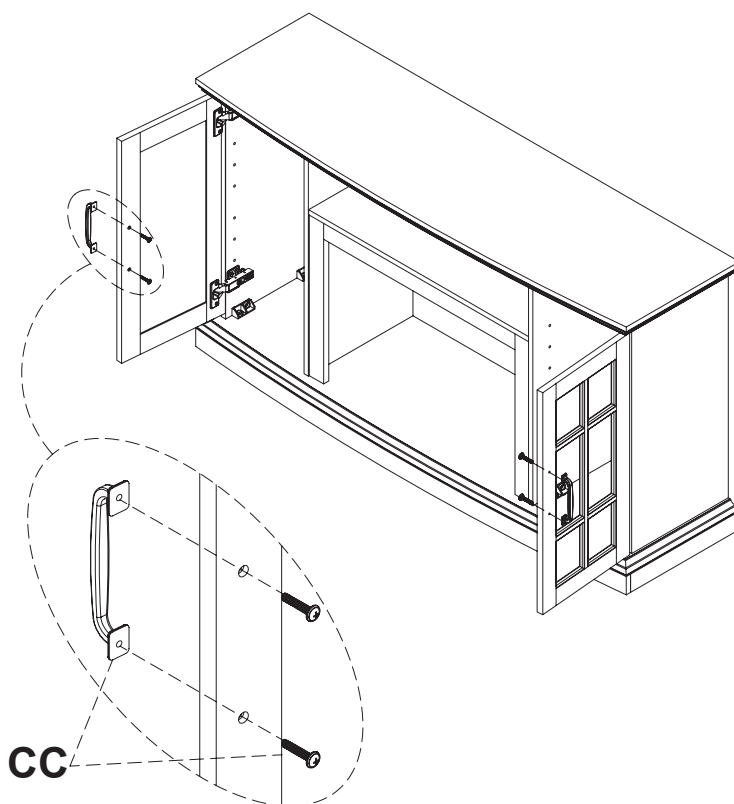
9 Attaching the doors

- Line up the hinges in the left and right doors (H) with the hinge plates in the left and right side panels.
- Tighten the screws to attach the hinges to the hinge plates. Do not strip the screws by overtightening.



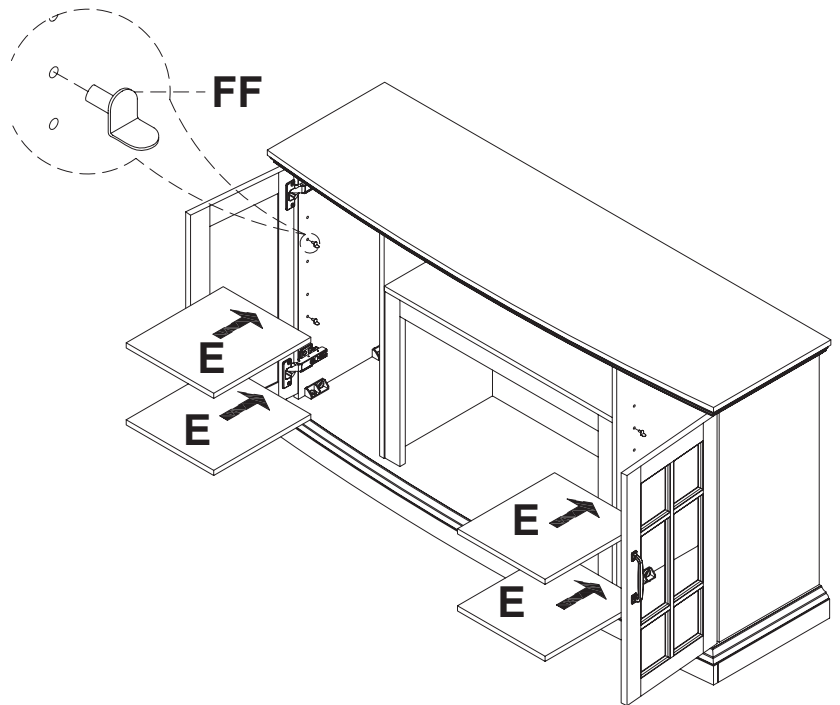
10 Attaching the knobs

- Attach the handles (CC) to the left and right doors (H) by inserting the bolts through the doors (H) and turning clockwise into the knobs (CC). Do not strip the bolts by overtightening.



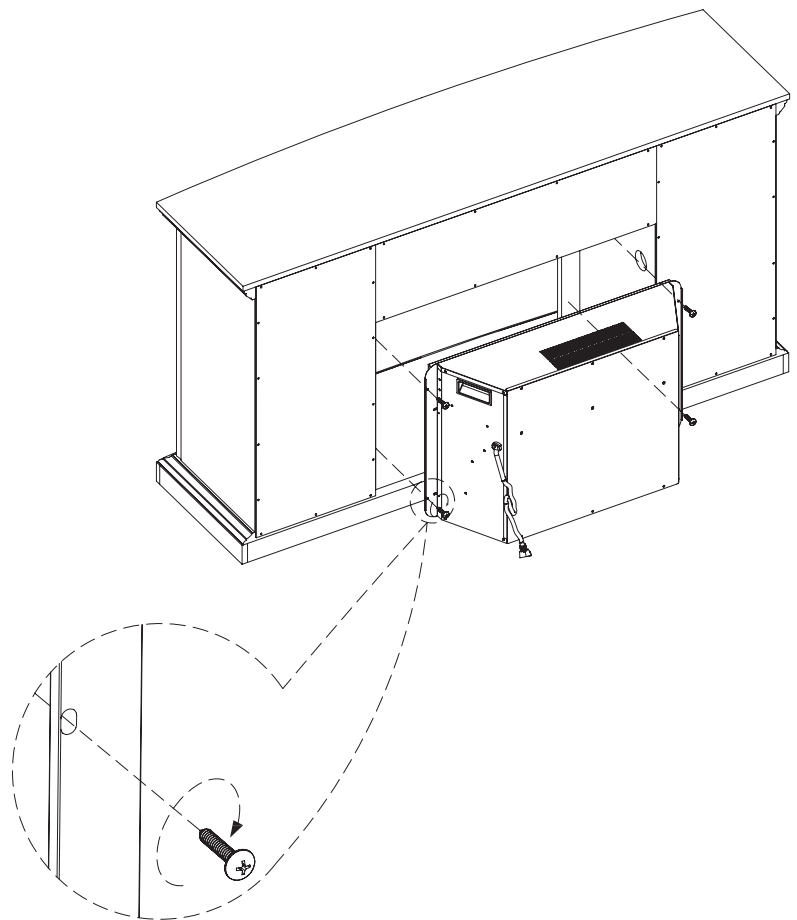
11 Installing the shelves

- Locate the four shelves (E) and place them on a soft surface to protect the finish.
- Insert the sixteen shelf pins (FF) into the interior of the side panels (D, F & G). Be sure to insert the pins parallel to one another to ensure the shelves (E) are level.
- Insert the shelves (E) onto the shelf pins (FF).



12 Installing the firebox

- Insert the firebox into the media console through the back opening.
- Push the firebox forward through the back opening until the metal trim of the firebox is flush with the side panels (F & G).
- Once the firebox is in position attach the two mounting brackets included with the firebox by inserting and tightening four screws through the mounting brackets into the media console.
- Do not strip the screws by overtightening.



Care & Cleaning

- Always turn the heater OFF and unplug the power cord from the outlet before cleaning.
- Cleaning of the control panel, located in the upper right-hand corner of the fireplace behind the sliding control panel cover, is to be done only using a soft cloth, slightly dampened in water (if needed, a small amount of dish soap can be added to the water) and dried using a clean, dry soft cloth. Cleaning of the screen diffuser is to be done using only water and lint free cloth. DO NOT use any abrasive cleaners on the diffusing screen.

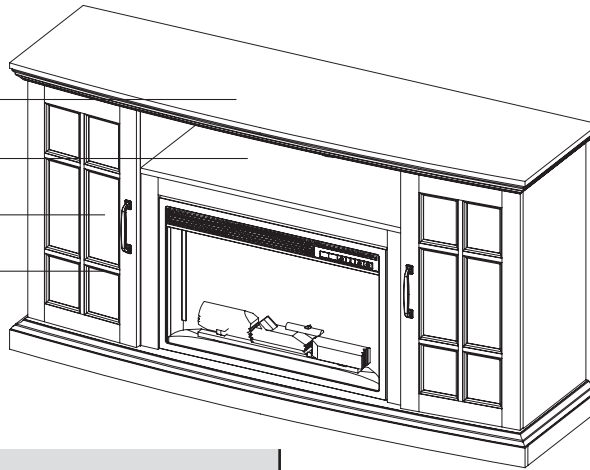
Shelf Weight Capacity

95 lbs (43.1 kg)

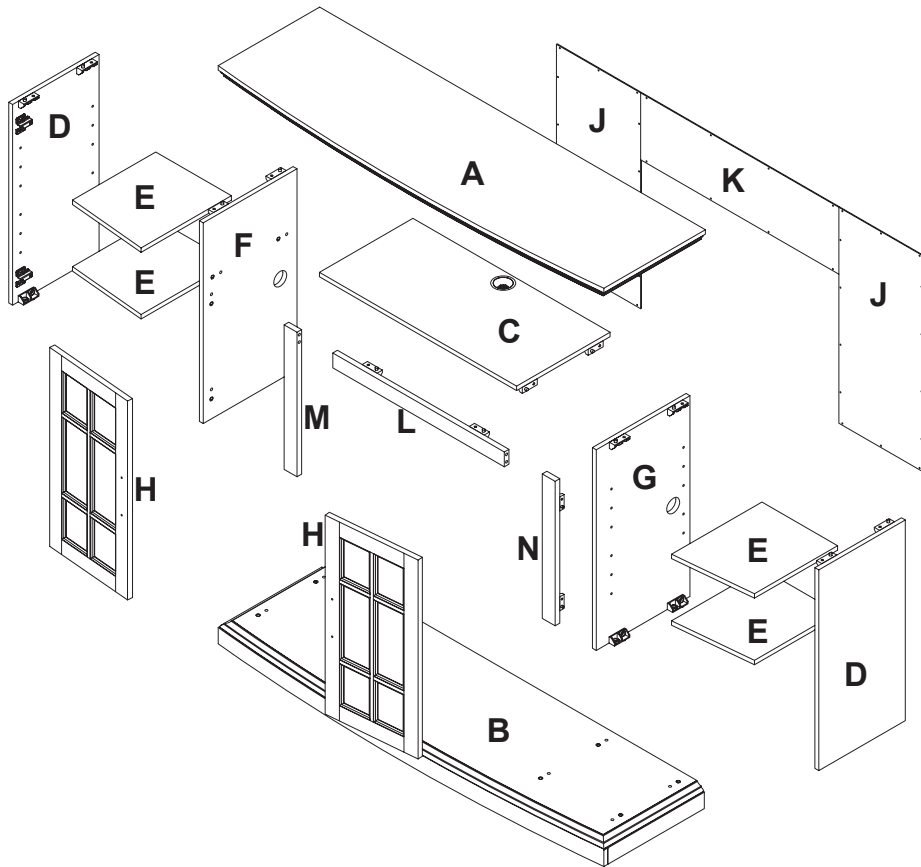
50 lbs (22.7 kg)

20 lbs (9.1 kg)

50 lbs (22.7 kg)



Service Parts



Service Parts (continued)

Part	Description	Quantity	Part Number 36-302-121/36-302-121-Y Burnished Walnut Finish	Part Number 36-302-165-Y Aged White Finish	Part Number 36-302-48-Y Espresso Finish
A	Top Panel	1	20-01-099	20-01-112	20-01-125
B	Base Panel	1	20-01-100	20-01-113	20-01-126
C	Media Shelf	1	20-01-101	20-01-114	20-01-127
D	Side Panel	2	20-01-102	20-01-115	20-01-128
E	Adjustable Shelf	4	20-01-103	20-01-116	20-01-129
F	Left Inside Panel	1	20-01-104	20-01-117	20-01-130
G	Right Inside Panel	1	20-01-105	20-01-118	20-01-131
H	Cabinet Door	2	20-01-106	20-01-119	20-01-132
J	Side Back Panel	2	20-01-107	20-01-120	20-01-133
K	Upper Back Panel	1	20-01-108	20-01-121	20-01-134
L	Top Trim	1	20-01-109	20-01-122	20-01-135
M	Left Trim	1	20-01-110	20-01-123	20-01-136
N	Right Trim	1	20-01-111	20-01-124	20-01-137
	Hardware Pack	1	20-09-588	20-09-590	20-09-591
	Manual	1	20-10-335		

Troubleshooting

If you have any questions regarding the product, please call Home Depot Customer Service, 1-800-986-3460, 8 a.m. – 7 p.m. EST, Monday – Friday, 9 a.m. - 6 p.m., EST, Saturday.

Problem	Possible Cause	Solution
The fireplace does not operate.	<ul style="list-style-type: none"> <input type="checkbox"/> The fireplace is not plugged in. <input type="checkbox"/> A circuit breaker is tripped or a fuse blown. <input type="checkbox"/> The ON/OFF switch is defective. <input type="checkbox"/> There is loose wiring. 	<ul style="list-style-type: none"> <input type="checkbox"/> Make sure the fireplace is plugged in to a standard 120V outlet. <input type="checkbox"/> Check additional appliances on the circuit; ideally the fireplace should be on a dedicated 15-amp circuit. <input type="checkbox"/> Call customer service. <input type="checkbox"/> Call customer service.
The power light is ON but the flame effect is not visible.	<ul style="list-style-type: none"> <input type="checkbox"/> The fireplace is not operating correctly. <input type="checkbox"/> LED strip is not functioning. <input type="checkbox"/> There is loose wiring. 	<ul style="list-style-type: none"> <input type="checkbox"/> Refer to the operating instructions. <input type="checkbox"/> Call customer service. <input type="checkbox"/> Call customer service.
The heater is not operating.	<ul style="list-style-type: none"> <input type="checkbox"/> The heater is not operating correctly. <input type="checkbox"/> The heater switch is defective. <input type="checkbox"/> The heater assembly is defective. <input type="checkbox"/> There is loose wiring. <input type="checkbox"/> The vents are dirty or clogged. 	<ul style="list-style-type: none"> <input type="checkbox"/> Refer to the operating instructions. <input type="checkbox"/> Call customer service. <input type="checkbox"/> Call customer service. <input type="checkbox"/> Call customer service. <input type="checkbox"/> Unplug the unit. Clear the vent area of dust and debris. Wait ten minutes, plug the unit in again and turn on the heater.
There is excessive noise when the heater is operating.	<ul style="list-style-type: none"> <input type="checkbox"/> The blower is dirty or clogged. <input type="checkbox"/> The heater assembly is defective. 	<ul style="list-style-type: none"> <input type="checkbox"/> Refer to Maintenance of Motors in the Care and Maintenance section of the firebox manual. <input type="checkbox"/> Call customer service.
The power light is ON but the ember bed flame is not flickering.	<ul style="list-style-type: none"> <input type="checkbox"/> LED strip is not functioning. <input type="checkbox"/> There is loose wiring. 	<ul style="list-style-type: none"> <input type="checkbox"/> Call customer service. <input type="checkbox"/> Call customer service.
There is excessive noise when the flame is ON but the heater is OFF.	<ul style="list-style-type: none"> <input type="checkbox"/> The rotating flame reflector shaft is rubbing against the housing. <input type="checkbox"/> The flame reflector shaft motor is defective. 	<ul style="list-style-type: none"> <input type="checkbox"/> Open the back of the firebox and reposition the flame reflector shaft. Turn off the unit prior to servicing. <input type="checkbox"/> Call customer service.

HOME DECORATORS COLLECTION

Questions, problems, missing parts? Before returning to the store,
call Home Decorators Collection Customer Service
8 a.m. - 7 p.m., EST, Monday-Friday, 9 a.m. - 6 p.m., EST, Saturday

1-800-986-3460

HOMEDEPOT.COM/HOMEDECORATORS

Retain this manual for future use.

Manufactured by: GHP Group, Inc. • 6440 W. Howard St. • Niles, IL 60714-3302

Printed in China

Artículo # 1003132154
1003124900
1003063524
1003054956

HOME
DECORATORS
COLLECTION

Modelo # 365-302-121
365-302-121-Y
365-302-165-Y
365-302-48-Y

GUÍA DE USO Y CUIDADO

COLECCIÓN EDENFIELD: CHIMENEA ELÉCTRICA CON REPISA

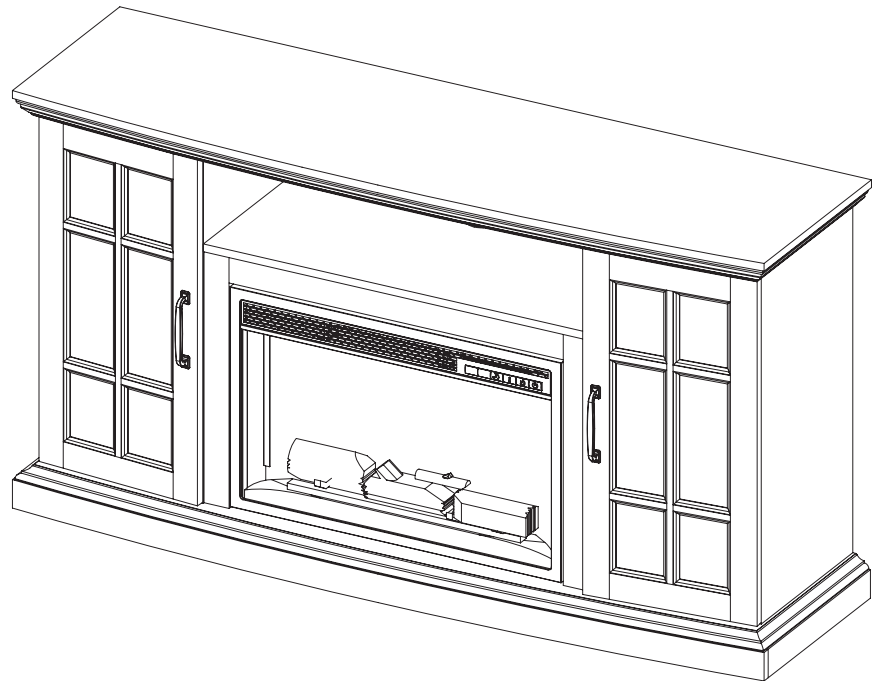
Antes de empezar >>>

PARA UN ENSAMBLE RÁPIDO DE ESTE PRODUCTO, BUSQUE LAS INSTRUCCIONES 3D EN

BILT.
Intelligent Instructions

DESCARGUE EL APP GRATIS

Download on the App Store GET IT ON Google Play



INSTRUCCIONES IMPORTANTES

POR FAVOR, LEA ESTE MANUAL ANTES DE LA INSTALACIÓN Y USO DEL DISPOSITIVO

¡ADVERTENCIA!

SI LA INFORMACIÓN EN ESTE MANUAL NO SE SIGUE CON EXACTITUD, PUEDE RESULTAR UN CHOQUE ELÉCTRICO O INCENDIO OCACIONANDO DAÑOS A LA PROPIEDAD, LESIONES PERSONALES O LA MUERTE.

INSTALADOR: Deje este manual con el dispositivo.
CONSUMIDOR: Conserve este manual para uso futuro.

¿Preguntas, problemas o partes faltantes? Antes de regresar a la tienda, llame al servicio de atención al cliente de Home Decorators Collection
8 a.m. - 7 p.m., Hora del Este de lunes a viernes, 9 a.m. - 6 p.m., Hora del Este de Sábado

1-800-986-3460

HOMEDEPOT.COM/HOMEDECORATORS

GRACIAS

Apreciamos la confianza depositada en Home Decorators Collection por medio de la compra de esta chimenea eléctrica con repisa. Nos esforzamos para crear continuamente productos de calidad diseñados para mejorar su hogar. Visítenos en internet para ver nuestra línea completa de productos disponibles para el mejoramiento de su hogar. ¡Gracias por elegir Home Decorators Collection!

Tabla de contenido

Tabla de contenido	16	Contenido del paquete	18
Garantía	16	Ensamblaje	19
Pre-ensamblaje	17	Cuidado y limpieza	25
Planificación del ensamblaje	17	Capacidad de carga de la repisa	25
Herramientas necesarias	17	Piezas de servicio	25-26
Piezas incluidas	17	Resolución de fallas	27

Garantía

GARANTÍA DE 1 AÑO

LO QUE ESTÁ CUBIERTO

El fabricante garantiza que su nueva chimenea eléctrica está libre de defectos de fabricación y materiales por un periodo de un año a partir de la fecha de compra, sujeto a las siguientes condiciones y limitaciones.

Esta chimenea eléctrica debe ser instalada y operada en todo momento de acuerdo con las instrucciones proporcionadas con el producto.

Cualquier alteración, abuso intencionado, accidente o mal uso del producto anulará esta garantía. Esta garantía es intransferible y es hecha al propietario original, siempre que la compra fue hecha mediante un proveedor autorizado del fabricante. Esta garantía está limitada a la reparación o reemplazo de pieza(s) que se encuentren defectuosas en materiales o mano de obra, siempre que tal(es) pieza(s) hayan estado sujetas a condiciones normales de uso y servicio, luego de que dicho defecto sea confirmado por la inspección de fabricante. El fabricante puede, a su discreción, liberar de todas las obligaciones, con respecto a esta garantía mediante el reembolso del precio al por mayor de la(s) pieza(s) defectuosa(s).

LO QUE NO ESTÁ CUBIERTO

Cualquier instalación, trabajo, construcción, transporte u otros costos/gastos que surjan de pieza(s) defectuosa(s), reparación, reemplazo u otra cosa similar, no será cubierta por esta garantía y tampoco el fabricante asumirá responsabilidad por lo mismo. Además, el fabricante no será responsable de ningún daño incidental, indirecto o consecuente, excepto como lo establezca la ley.

Todas las otras garantías, expresas o implícitas, con respecto al producto, sus componentes y accesorios, o cualquier obligación/responsabilidad civil sobre la pieza del fabricante, por la presente se excluyen expresamente. El fabricante tampoco asume, ni autoriza a ninguna tercera parte a asumir, en su nombre, cualquier otra responsabilidad civil con respecto a la venta de este producto. Las garantías como están descritas dentro de este documento, no aplican a accesorios que no son del fabricante usadas junto con la instalación de este producto.

Esta garantía no cubre la(s) bombilla(s) incluidas con la chimenea.

Esta garantía no tiene validez si: la chimenea ha sido operada en atmósferas contaminadas con cloro, flúor u otro químico dañino; la chimenea está sujeta a periodos prolongados de humedad o condensación; la chimenea es alterada, maltratada intencionalmente, dañada por accidente o usada incorrectamente en cualquier manera.

Si se necesita servicio de garantía, póngase en contacto con el Equipo de Servicio al Cliente llamando 1-800-986-3460, 8 a.m. - 7 p.m., Hora del Este de lunes a viernes, 9 a.m. - 6 p.m., Hora del Este de Sábado o visite www.homedepot.com/homedecorators.

Asegúrese de tener su garantía, su recibo de venta y el número de modelo/serie de su producto.

NO INTENTE HACER TRABAJO DE SERVICIO USTED MISMO.

ADVERTENCIA

Este producto puede exponerlo a sustancias químicas como el di(2-etilhexil) ftalato (DEHP) que, según el estado de California, puede provocar cáncer y daños del desarrollo.

Para obtener más información, visite www.p65Warnings.ca.gov

Pre-ensamblaje

PLANIFICACION DEL ENSAMBLAJE

Antes de iniciar el ensamblaje localice las instrucciones y las piezas. Compare todas las piezas con la lista de piezas incluidas y contenido del embalaje. Asegúrese de tener todas las piezas y de que pueda identificarlas. Siempre es bueno contar con ayuda. Ensámblelo con asistencia de una persona adulta si es posible. Algunas piezas son pesadas y necesitará ayuda. El tiempo de ensamblaje se estima entre 30-60 minutos.

Antes de ensamblar, utilice tijeras para sacar las piezas del embalaje. No utilice una navaja o cuchillo exacto, ya que podría cortar las piezas dentro de la caja y dañar el acabado. Busque la bolsa roja de herramientas situada en el interior del empaque. No deseche ninguna pieza. Utilice un destornillador apropiado para insertar y ajustar todos los tornillos.

HERRAMIENTAS REQUERIDAS



Gafas de seguridad

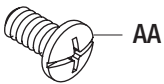


Desarmador Phillips

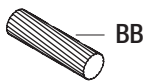
PIEZAS INCLUIDAS



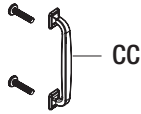
NOTA: Las herramientas son no mostradas en su tamaño real.



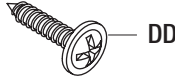
AA



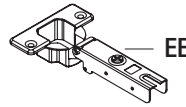
BB



CC



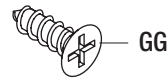
DD



EE



FF

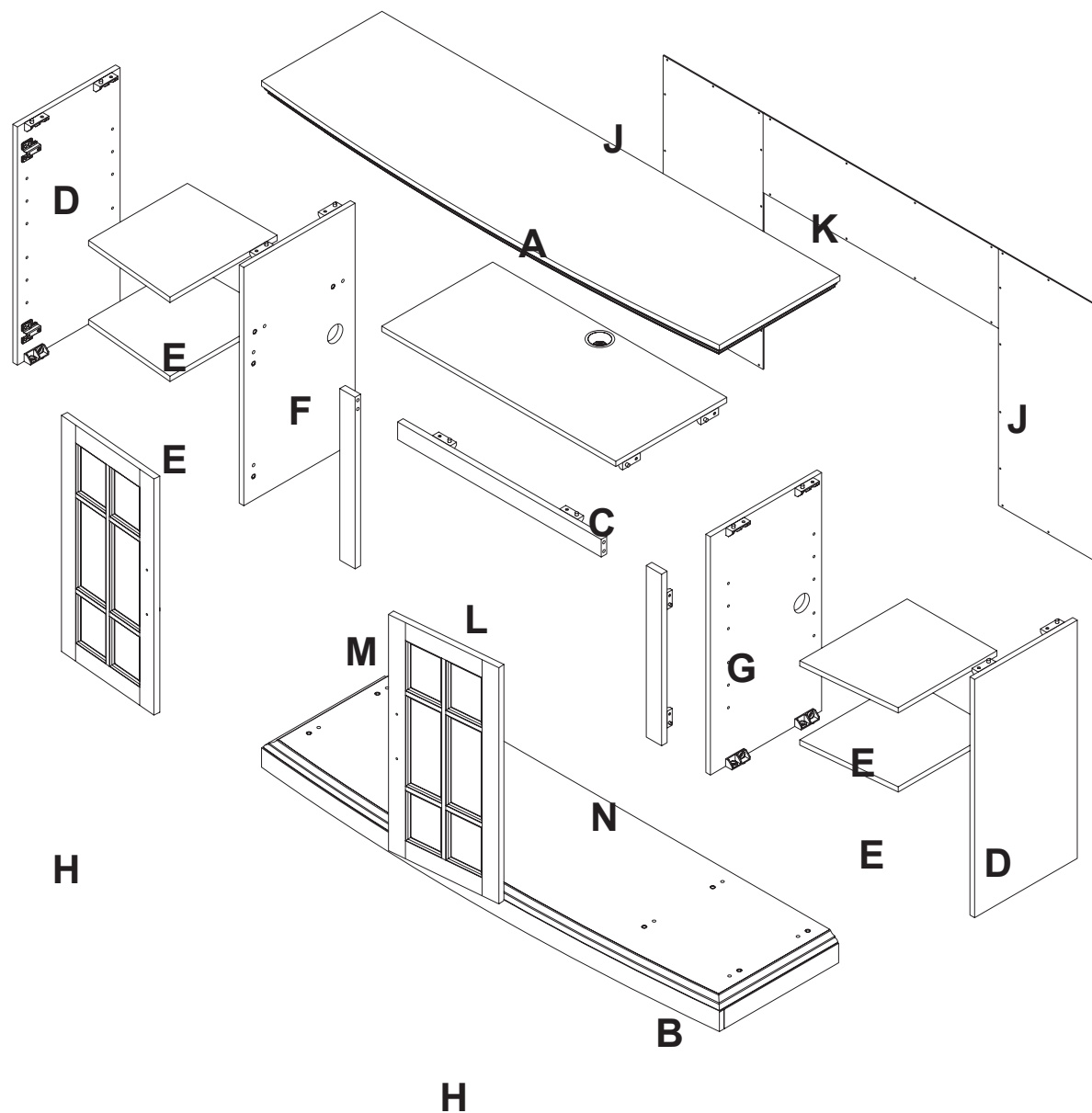


GG

Pieza	Descripción	Cantidad
AA	Tornillo	26 + 2 extra
BB	Clavija	4 + 1 extra
CC	Tiradores	2
DD	Panel posterior del tornillo	36 + 2 extra
EE	Bisagra	4
FF	Clavija para estantes	16 + 2 extra
GG	Tornillo de bisagra	8

Pre-ensamblaje (continuación)

CONTENIDO DEL PAQUETE

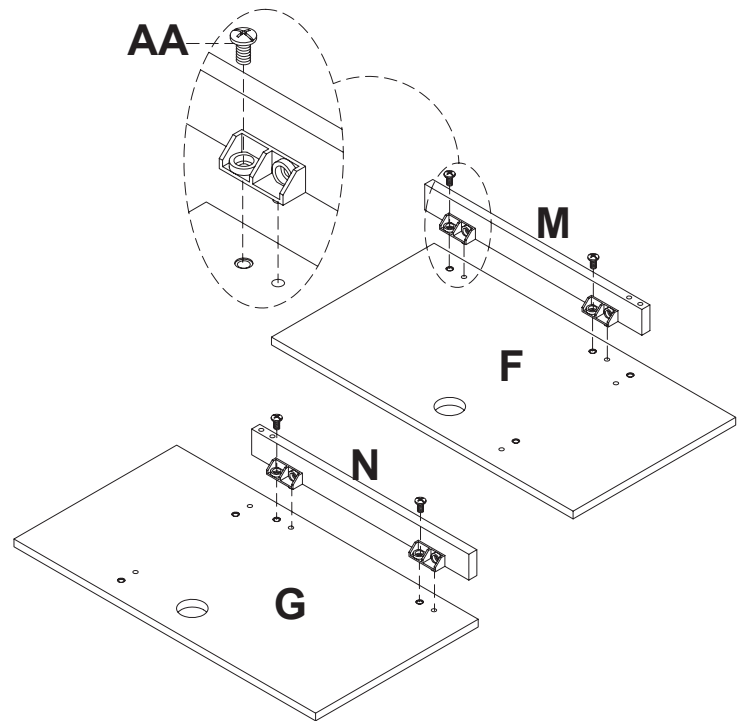


Pieza	Descripción	Cantidad
A	Panel superior	1
B	Panel de base	1
C	Repisa multimedia	1
D	Panel lateral	2
E	Repisa ajustable	4
F	Panel interior izquierdo	1
G	Panel interior derecho	1

Pieza	Descripción	Cantidad
H	Puerta del mueble	2
J	Panel trasero lateral	2
K	Panel trasero superior	1
L	Moldura superior	1
M	Moldura izquierdo	1
N	Moldura derecho	1

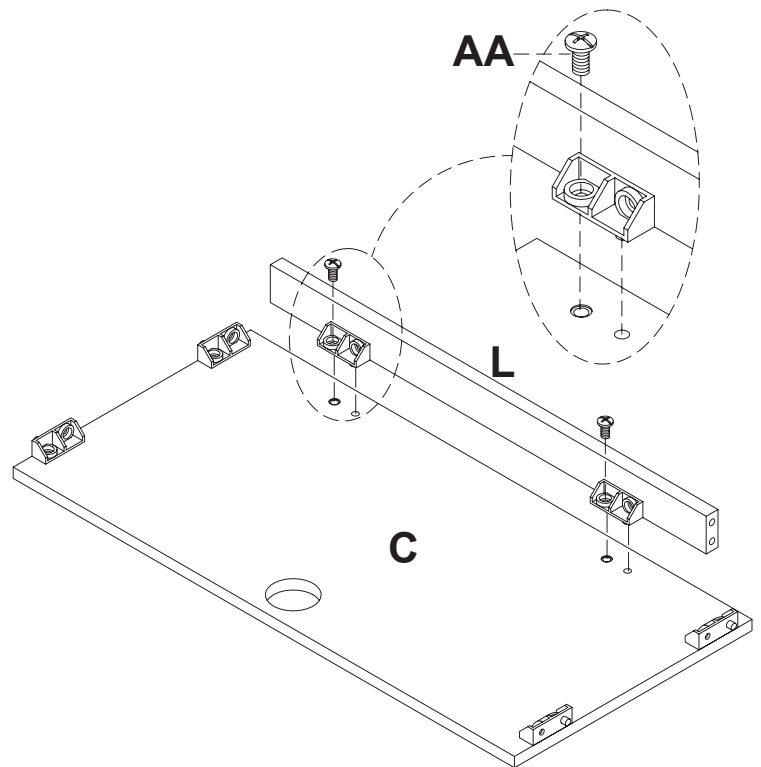
1 Colocación de las molduras en los paneles laterales

- Localice los paneles interiores (F y G) y colóquelos sobre una superficie suave para proteger el acabado.
- Fije la moldura izquierda (M) y la moldura derecha (N) a los paneles interiores girando los tornillos (AA) en el sentido de las agujas del reloj a través del conector. No dañe los tornillos (AA) apretándolos demasiado.



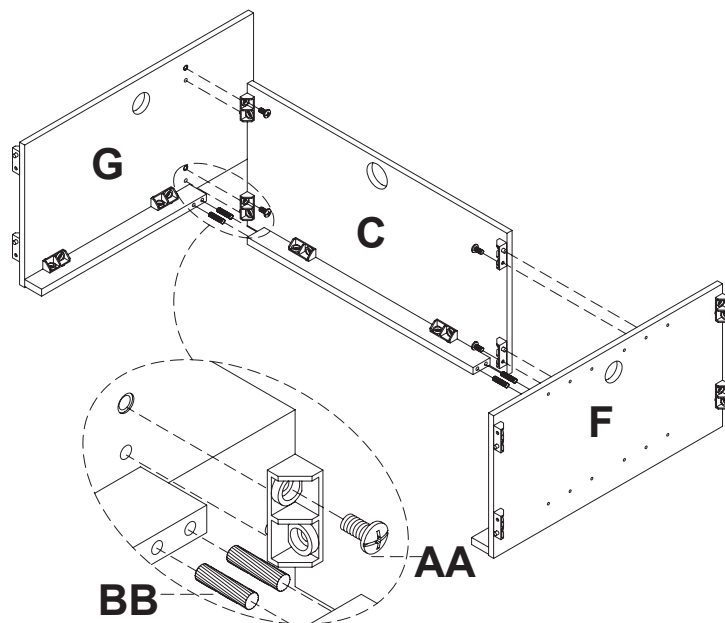
2 Colocación de la moldura superior en la base multimedia

- Localice la repisa multimedia (C) y colóquela sobre una superficie suave para proteger el acabado.
- Fije la moldura superior (L) a la repisa multimedia haciendo girar los dos tornillos (AA) en el sentido de las agujas del reloj a través de los conectores. No dañe los tornillos (AA) apretándolos demasiado.



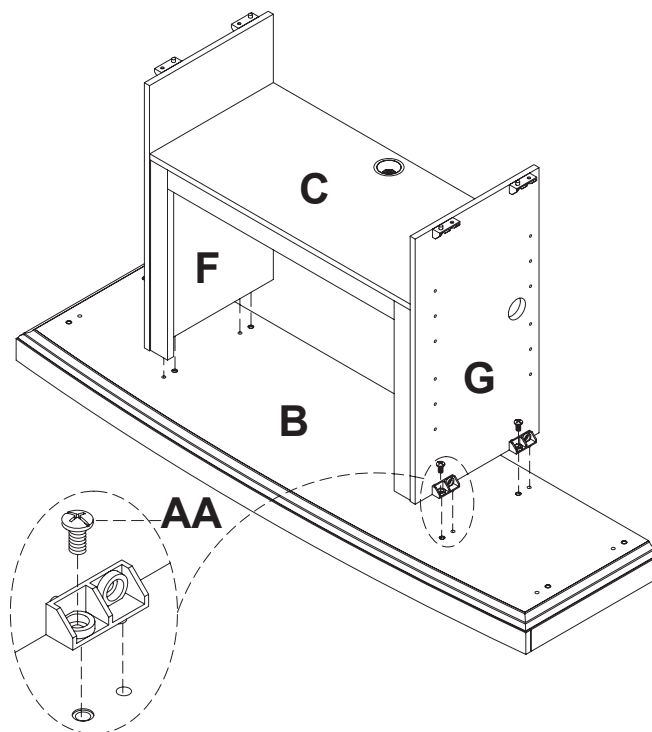
3 Colocación de la repisa multimedia

- Inserte cuatro clavijas de madera (BB) dentro de los orificios sin rosca en la repisa multimedia (C).
- Alinee las cuatro clavijas de madera (BB) en la repisa multimedia (C) con los orificios sin rosca en los paneles interiores izquierdo y derecho (G y F).
- Presiónelos uno contra otro firmemente hasta que estén al ras.
- Inserte cuatro tornillos (AA) dentro de los conectores en la repisa multimedia (C).
- Fije los paneles interiores izquierdo y derecho (G y F) a la repisa multimedia (C) girando los tornillos (AA) en el sentido de las agujas del reloj. No dañe los tornillos (AA) apretándolos demasiado.



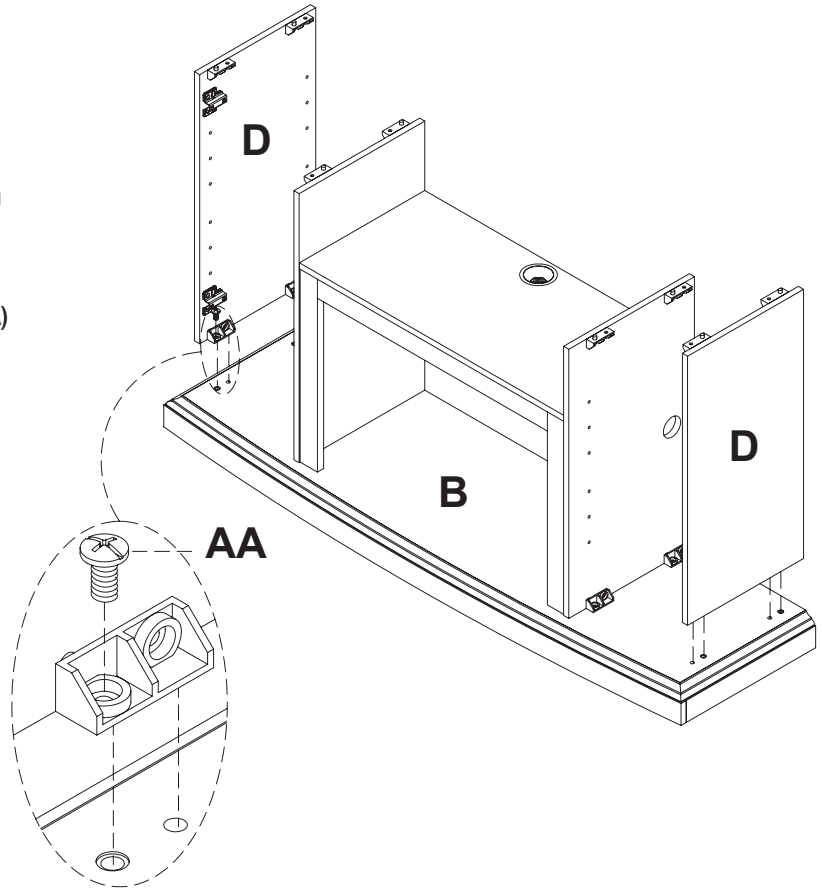
4 Colocación de la base

- Localice el panel de base (B). Fije el panel de base (B) al ensamblaje de la repisa multimedia insertando cuatro tornillos (AA) a través de los conectores y girando en el sentido de las agujas del reloj. No dañe los tornillos (AA) apretándolos demasiado.



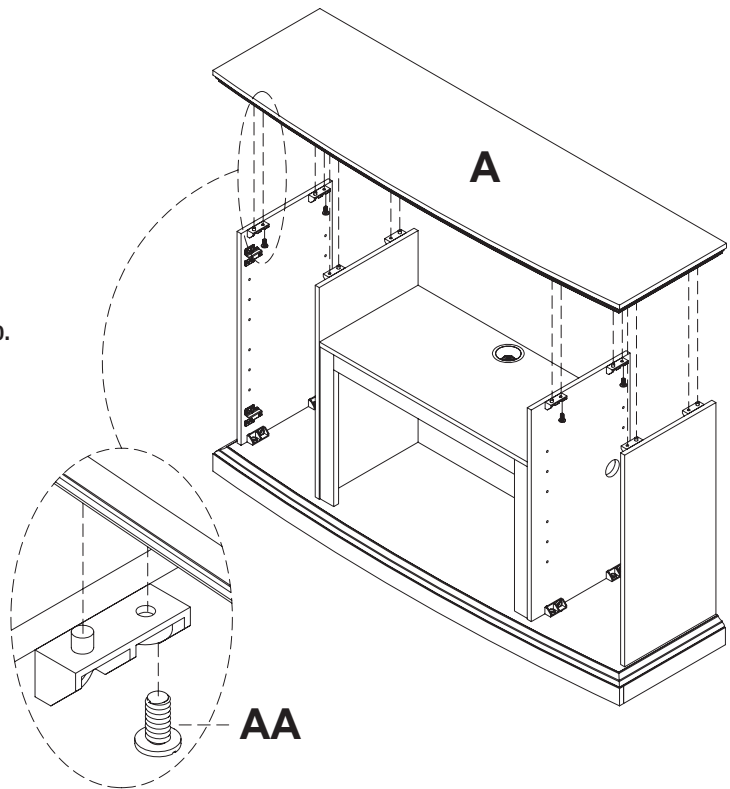
5 Colocación de los paneles laterales

- Alinee los conectores en los paneles laterales (D) con los orificios en la base (B).
- Fije los paneles laterales izquierdo y derecho (D) al ensamblaje de la base insertando cuatro tornillos (AA) a través de los conectores en los paneles laterales y girando en el sentido de las agujas del reloj. No dañe los tornillos (AA) apretándolos demasiado.



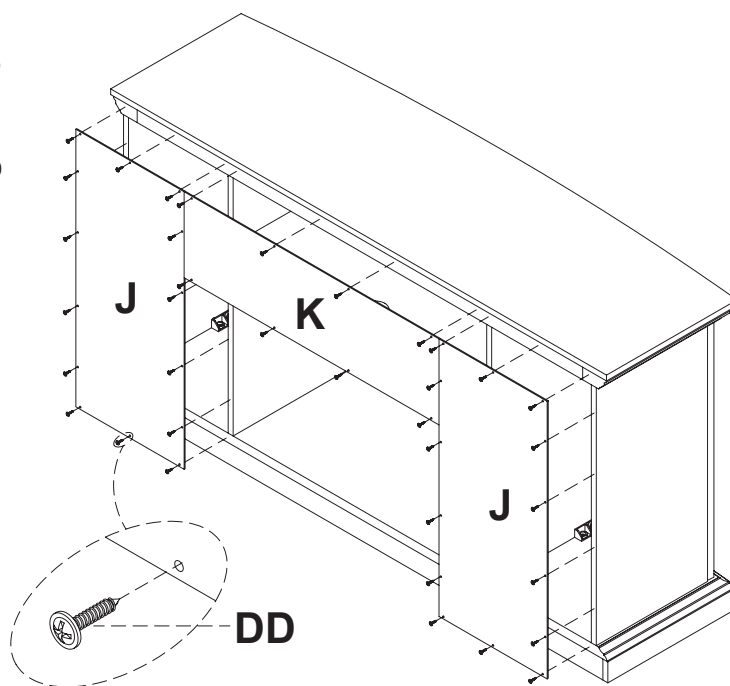
6 Colocación del panel superior

- Alinee los conectores en los paneles laterales e interiores con los orificios en el panel superior (A).
- Fije el panel superior (A) al ensamblaje insertando ocho tornillos (AA) a través de los conectores en los paneles laterales e interiores y girando en el sentido de las agujas del reloj. No dañe los tornillos (AA) apretándolos demasiado.



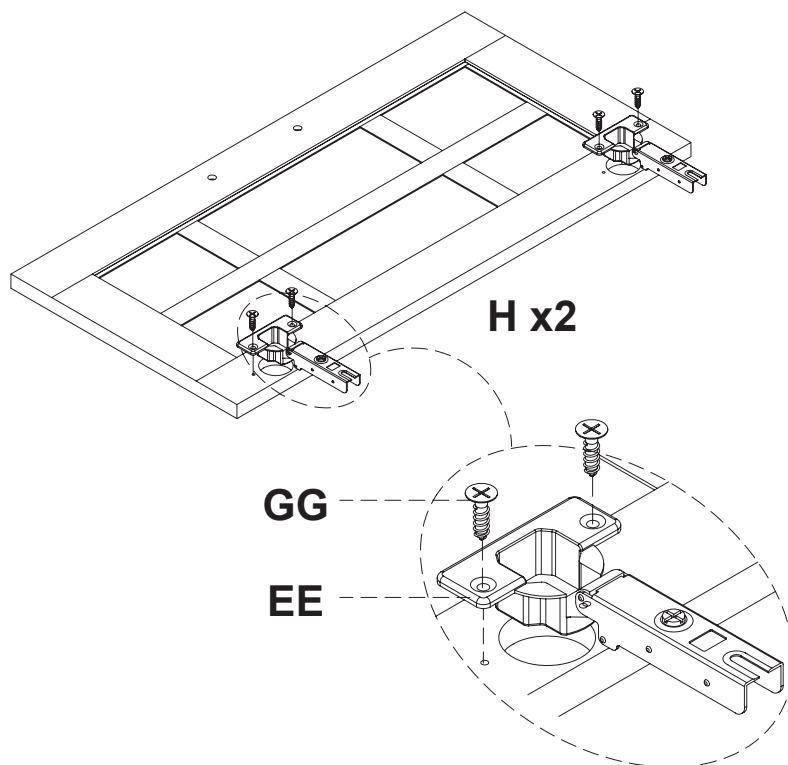
7 Colocación de los paneles traseros

- Localice los paneles traseros (K y J) y alinéelos a la parte trasera de la consola multimedia con la cara con acabado mirando hacia adentro.
- Inserte y apriete treinta y seis tornillos (DD) para fijar los paneles laterales (J y K) a la consola multimedia.
- No dañe los tornillos (DD) apretándolos demasiado.



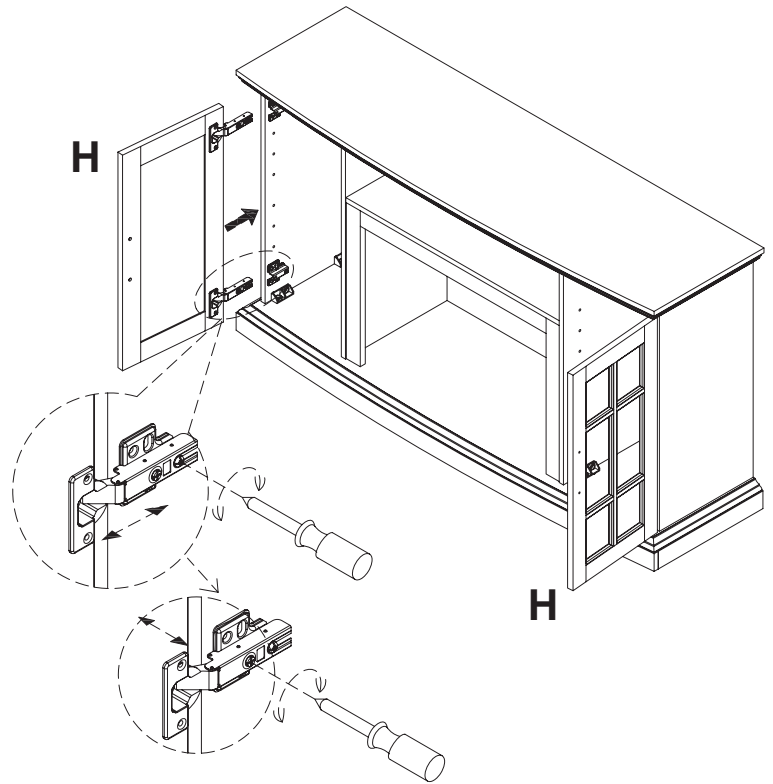
8 Colocación de herraje en las puertas

- Localice las dos puertas del mueble (H) y colóquelas sobre una superficie suave para proteger el acabado.
- Fije las dos bisagras (EE) a las puertas del mueble (H) insertando ocho tornillos de bisagra (GG) y girando en el sentido de las agujas del reloj. No dañe los tornillos de bisagra (GG) apretándolos demasiado.



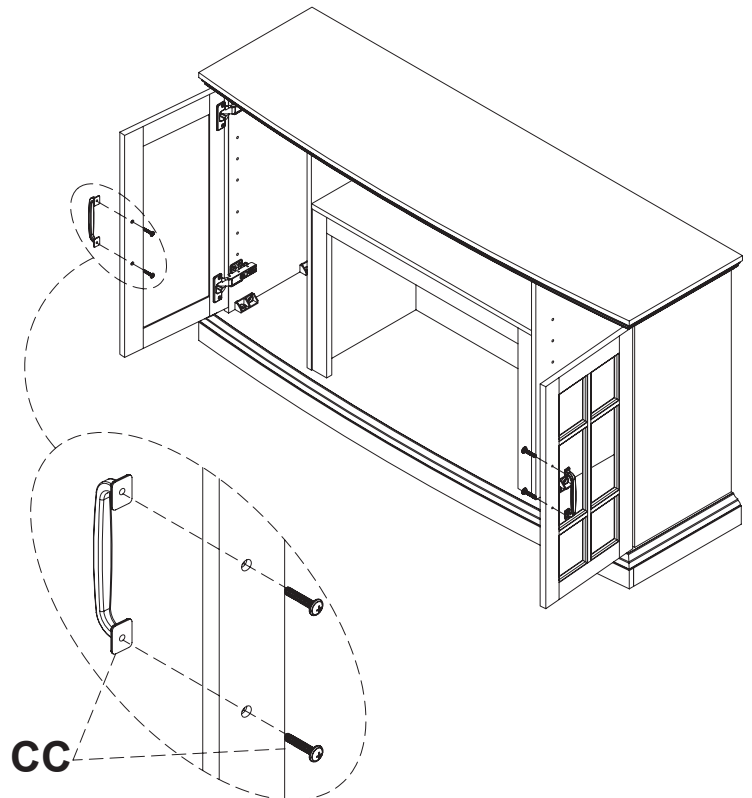
9 Colocación de las puertas

- Alinee las bisagras en las puertas izquierda y derecha (H) con las placas de bisagra en los paneles laterales izquierdo y derecho.
- Apriete los tornillos para fijar las bisagras a las placas de bisagra. No dañe los tornillos apretándolos demasiado.



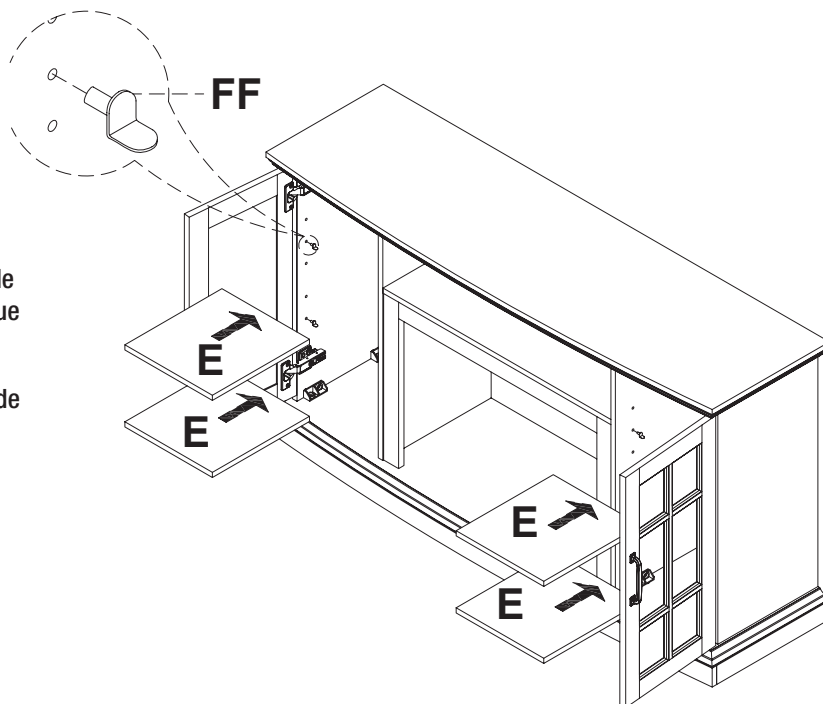
10 Colocación de los tiradores

- Coloque los tiradores (CC) en las puertas izquierda y derecha (H) insertando los tornillos a través de las puertas (H) y girando en el sentido de las agujas del reloj dentro de los tiradores (CC). No dañe los tornillos apretándolos demasiado.



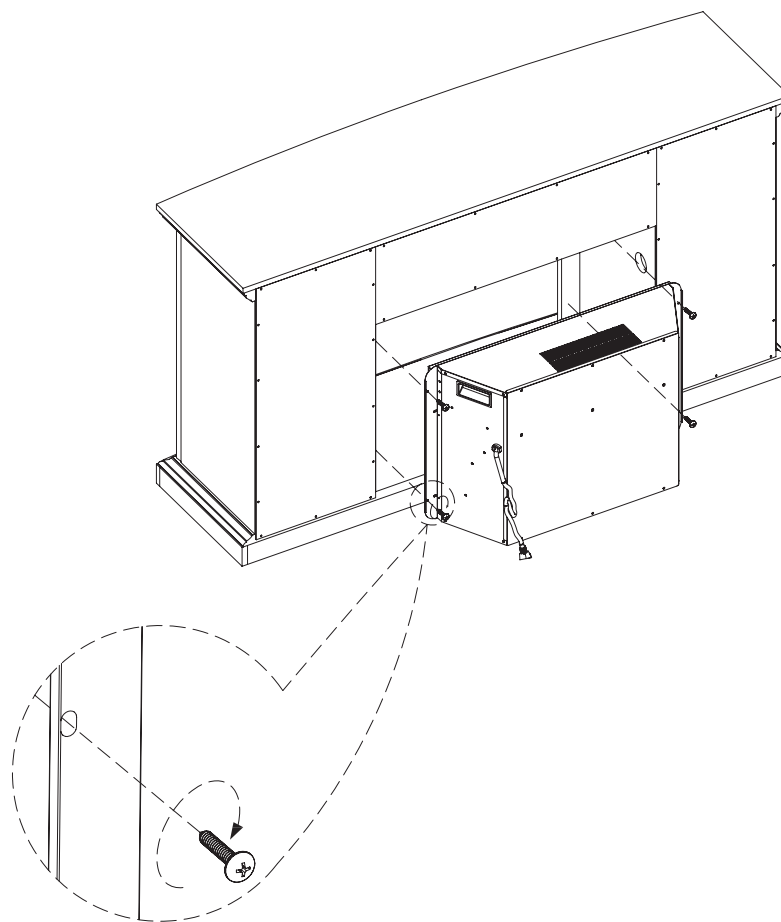
11 Instalación de las repisas

- Localice las cuatro repisas (E) y colóquelas sobre una superficie suave para proteger el acabado.
- Inserte dieciséis clavijas para estantes (FF) en la cara interior de los paneles laterales (D, F y G). Asegúrese de insertar las clavijas paralelas entre sí para asegurar que las repisas estén niveladas.
- Inserte las repisas (E) colocándolas sobre las clavijas de repisa (FF).



12 Instalación de la cámara de combustión

- Inserte la cámara de combustión dentro de la consola multimedia a través de la abertura posterior.
- Empuje la cámara de combustión a través de la abertura posterior hasta que la moldura de metal de la cámara de combustión esté al ras con los paneles laterales (F y G).
- Una vez que la cámara de combustión esté en su sitio, fije los dos soportes de montaje en la consola de medios.
- No dañe los tornillos apretándolos demasiado.



Cuidado y limpieza

- Siempre apague el calefactor y desconecte el cable eléctrico del tomacorriente antes de limpiarlo.
- La limpieza del panel de control, localizado en la esquina superior derecha de la chimenea, debe hacerse usando solamente un paño suave, ligeramente humedecido en agua (de ser necesario, se puede agregar una pequeña cantidad de jabón de platos al agua) y secarse usando un paño suave limpio y seco. La limpieza del difusor de rejilla debe hacerse usando solamente agua y un paño libre de pelusa. NO use controles abrasivos y la rejilla de difusión.

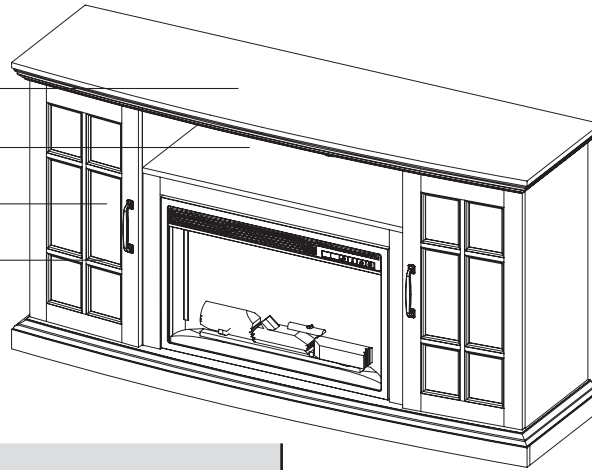
Capacidad de carga de la repisa

95 lbs (43.1 kg)

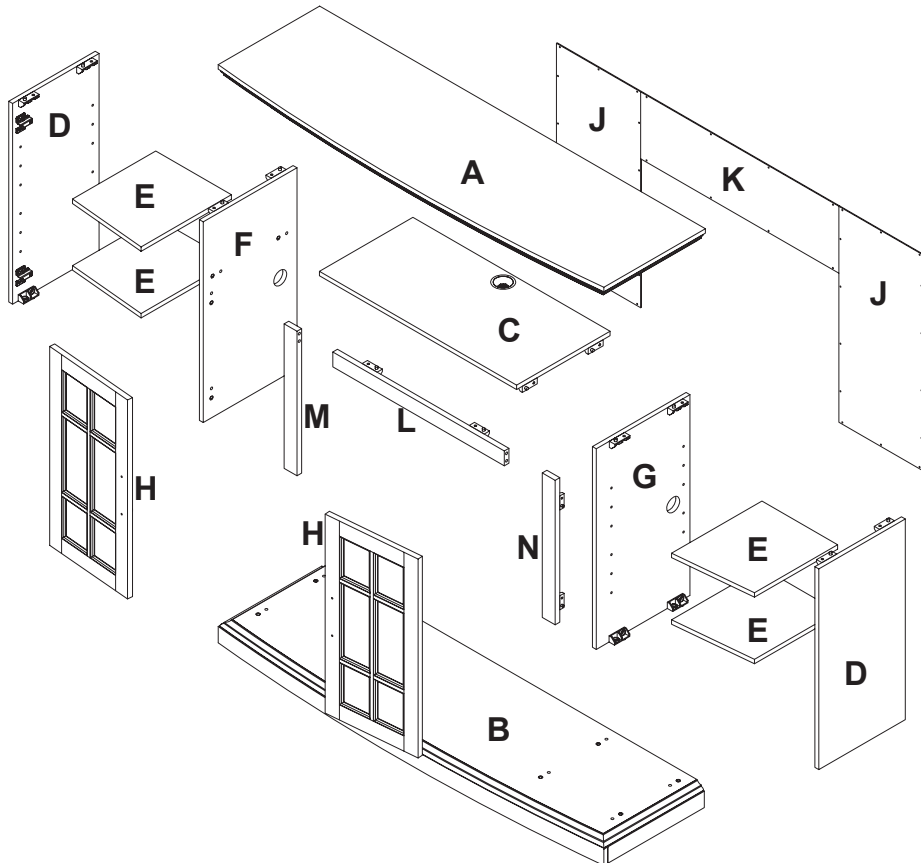
50 lbs (22.7 kg)

20 lbs (9.1 kg)

50 lbs (22.7 kg)



Piezas de servicio



Piezas de servicio (continuación)

Pieza	Descripción	Cant.	Pieza 36-302-121/36-302-121-Y Acabado nogal bruñido	Pieza 36-302-165-Y Acabado blanco envejecido	Pieza 36-302-48-Y Acabado espresso
A	Panel superior	1	20-01-099	20-01-112	20-01-125
B	Panel de base	1	20-01-100	20-01-113	20-01-126
C	Repisa multimedia	1	20-01-101	20-01-114	20-01-127
D	Panel lateral	2	20-01-102	20-01-115	20-01-128
E	Repisa ajustable	4	20-01-103	20-01-116	20-01-129
F	Panel interior izquierdo	1	20-01-104	20-01-117	20-01-130
G	Panel interior derecho	1	20-01-105	20-01-118	20-01-131
H	Puerta del mueble	2	20-01-106	20-01-119	20-01-132
J	Panel trasero lateral	2	20-01-107	20-01-120	20-01-133
K	Panel trasero superior	1	20-01-108	20-01-121	20-01-134
L	Moldura superior	1	20-01-109	20-01-122	20-01-135
M	Moldura izquierdo	1	20-01-110	20-01-123	20-01-136
N	Moldura derecho	1	20-01-111	20-01-124	20-01-137
	Paquete de herrajes	1	20-09-588	20-09-590	20-09-591
	Manual	1	20-10-335		

Resolución de fallas

Si tiene preguntas respecto al producto, llame a Servicio al Cliente de Home Decorators al 1-800-986-3460, 8 a.m. - 7 p.m., Hora del Este de lunes a viernes, 9 a.m. - 6 p.m., Hora del Este de Sábado

Problema	Causa posible	Solution
La chimenea no funciona.	<ul style="list-style-type: none"> <input type="checkbox"/> La chimenea no está enchufada. <input type="checkbox"/> Un disyuntor de circuito se ha activado o un fusible ha explotado. <input type="checkbox"/> El interruptor ON/OFF está defectuoso. <input type="checkbox"/> Hay un cable flojo. 	<ul style="list-style-type: none"> <input type="checkbox"/> Asegúrese de que la chimenea esté enchufada en un tomacorriente estándar de 120V. <input type="checkbox"/> Revise los electrodomésticos adicionales en el circuito; idealmente, la chimenea debe estar en un circuito dedicado de 15 Amperios. <input type="checkbox"/> Llame a Servicio al Cliente. <input type="checkbox"/> Llame a Servicio al Cliente.
La luz de energía está encendida pero el efecto de la llama no es visible.	<ul style="list-style-type: none"> <input type="checkbox"/> La chimenea no está funcionando correctamente. <input type="checkbox"/> La tira LED no está funcionando. <input type="checkbox"/> Hay un cable flojo. 	<ul style="list-style-type: none"> <input type="checkbox"/> Consulte las instrucciones de operación. <input type="checkbox"/> Llame a Servicio al Cliente. <input type="checkbox"/> Llame a Servicio al Cliente.
El calefactor no está funcionando.	<ul style="list-style-type: none"> <input type="checkbox"/> La chimenea no está funcionando correctamente. <input type="checkbox"/> El interruptor del calefactor está defectuoso. <input type="checkbox"/> El ensamblaje del calefactor está defectuoso. <input type="checkbox"/> Hay un cable flojo. <input type="checkbox"/> Los respiraderos están sucios u obstruidos. 	<ul style="list-style-type: none"> <input type="checkbox"/> Consulte las instrucciones de operación. <input type="checkbox"/> Llame a Servicio al Cliente. <input type="checkbox"/> Llame a Servicio al Cliente. <input type="checkbox"/> Llame a Servicio al Cliente. <input type="checkbox"/> Desconecte la unidad. Limpie el área del respiradero de polvo y desechos. Espere diez minutos, enchufe la unidad de nuevo y encienda el calefactor.
Hay ruido excesivo cuando el calefactor está funcionando.	<ul style="list-style-type: none"> <input type="checkbox"/> El soplador está sucio u obstruido. <input type="checkbox"/> El ensamblaje del calefactor está defectuoso. 	<ul style="list-style-type: none"> <input type="checkbox"/> Consulte el mantenimiento de motores en la sección de cuidado y mantenimiento del manual de la cámara de combustión. <input type="checkbox"/> Llame a Servicio al Cliente.
La luz de energía está encendida pero la llama de la cama de brasas no es intermitente.	<ul style="list-style-type: none"> <input type="checkbox"/> La tira LED no está funcionando. <input type="checkbox"/> Hay un cable flojo. 	<ul style="list-style-type: none"> <input type="checkbox"/> Llame a Servicio al Cliente. <input type="checkbox"/> Llame a Servicio al Cliente.
Hay un ruido excesivo cuando la llama está ENCENDIDA pero el calefactor está APAGADO.	<ul style="list-style-type: none"> <input type="checkbox"/> El eje del reflector rotativo de la llama está rozando contra la carcasa. <input type="checkbox"/> El motor del eje del reflector de la llama está defectuoso. 	<ul style="list-style-type: none"> <input type="checkbox"/> Abra la parte trasera de la caja de fuego y reubique el eje del reflector de la llama. Apague la unidad antes de darle servicio. <input type="checkbox"/> Llame a Servicio al Cliente.

HOME DECORATORS COLLECTION

**¿Preguntas, problemas o partes faltantes? Antes de regresar a la tienda,
llame al servicio de atención al cliente de Home Decorators Collection**

8 a.m. - 7 p.m., Hora del Este de lunes a viernes, 9 a.m. - 6 p.m., Hora del Este de Sábado

1-800-986-3460

[HOMEDEPOT.COM/HOMEDECORATORS](https://www.homedepot.com/homedecorators)

Guarde este manual para futuras referencias.

Fabricado por: GHP Group, Inc. • 6440 W. Howard St. • Niles, IL 60714-3302

Impreso en China