

PEGASUS
LUXURY AT HAND™

**Classic Collection
Cottage Family**

Product Codes

CTAA2422D

CTAA4822D

CTAA3022D

CTAA6022D

CTAA3622D

CTAAT7222D

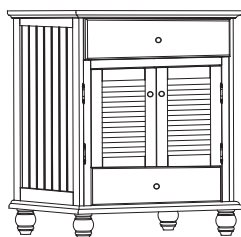
Effective Date:

06-26-06

1 PIECE BATH VANITY



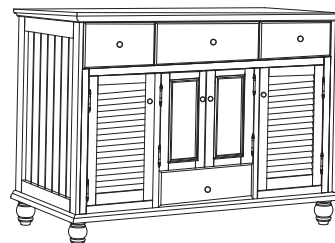
CTAA2422D



CTAA3022D



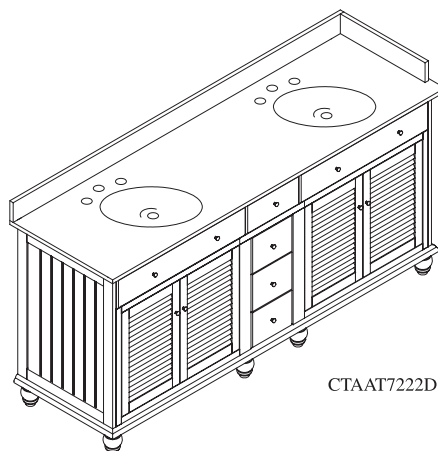
CTAA3622D



CTAA4822D



CTAA6022D



CTAAT7222D

Toll Free Customer Assistance

1-800-254-6023

Monday-Friday, 9:00a.m. To 5:30p.m., EST

Please read instructions before assembly process.

1 BUN FEET INSTALLATION **Figure 1**

1. Locate (4) bun feet and tip vanity onto back to expose bottom of vanity.
2. Locate (4) screw holes on each corner and screw bun feet onto bottom of vanity.
3. Upright vanity.

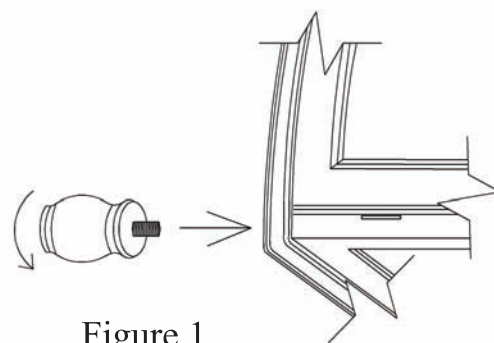


Figure 1

2 KNOB / HANDLE INSTALLATION **Figure 2**

1. Place machine screws through predrilled hole in door or drawer. Line up knob or handle with machine screw and tighten with screw driver.
2. Repeat process for all additional doors and/or drawers.



Figure 2

Keeping Your Furniture Beautiful

Quality wood furniture is a significant investment expected to last for generations. To maintain its beauty and help it last, wood furniture needs the right care. Pegasus Furniture products are finished with two to three coats of lacquer for extra depth and long-lasting durability. The sheen, or gloss, of the finish ranges from high to low, depending on the piece or collection. The finish protects the wood and adds to its beauty. No finish is totally indestructible. But with regular care, the finish will last much longer, providing years of enjoyment to you.

To protect and care for your furniture, we suggest the following:

- Avoid placing your Pegasus furniture in direct sunlight, as sunlight causes fading.
- Clean up spills immediately. Use a blotting rather than a wiping action. Water left over a long period of time will cause white spots in the finish. Alcohol, perfume, after-shave and medications can cause severe finish damage.

Cleaning and polishing your furniture:

We recommend dusting frequently with a clean, soft, dry, lint-free cloth. Clean the surface by rubbing in the direction of the grain. We recommend polishing your furniture approximately every six months, using a clean, soft, lint-free cloth and rubbing the polish in the direction of the grain.

What furniture care products do we recommend?

We recommend polishes which contain detergents, emulsifiers and mineral oil. The detergents clean dirt from the furniture, the emulsifiers give it body to clean and last longer and the mineral oil is left behind as a barrier for dirt and moisture that could harm finishes. There's no grit to harm the finish, no wax to build up and no silicone to raise the sheen and act as a barrier for touch-up and refinishing.

Limited Lifetime Warranty

Thank you for purchasing this Pegasus furniture product. Your new assembled furniture is constructed using only the finest materials and captures the essence of timeless beauty and style.

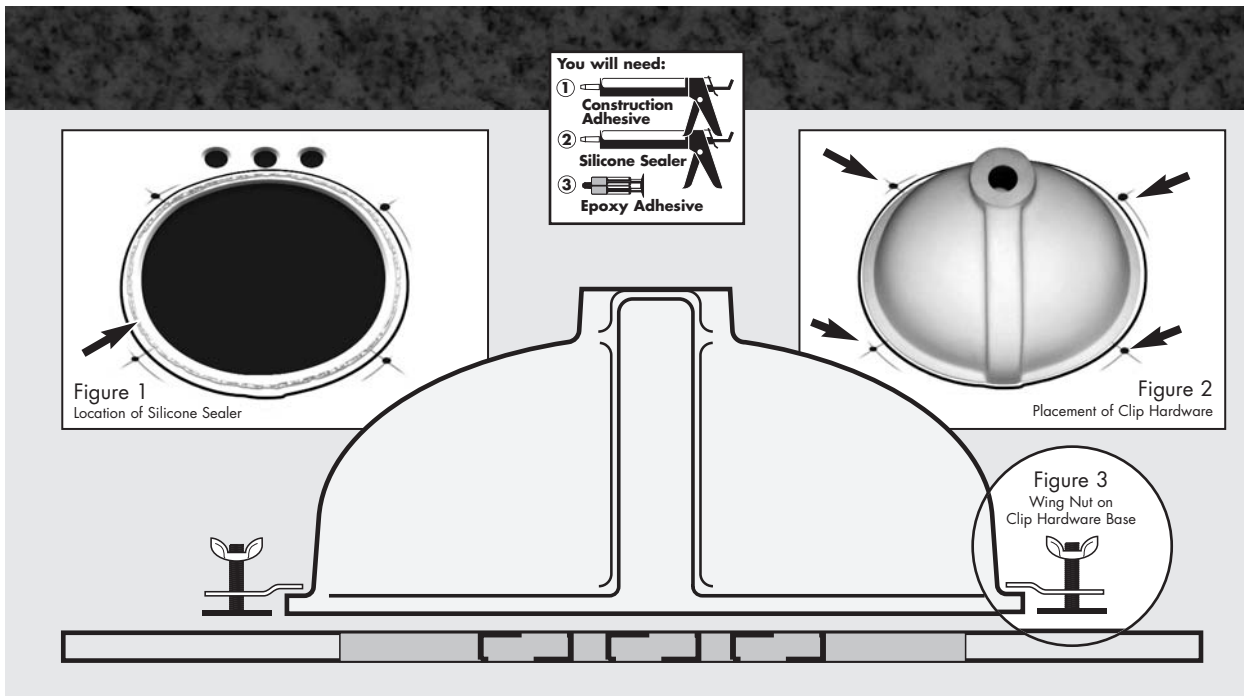
At Pegasus, each piece of quality cabinetry is designed with the customer in mind. Every aspect of what we do revolves around the customers' needs.

Should you have any questions about your furniture, we would like to address the concern quickly. Our trained staff is ready to help you with quick, efficient service. Please call our toll free Customer Service number.

Toll Free Customer Assistance

1-800-254-6023

Monday-Friday, 9:00a.m. To 5:30p.m., EST



Be sure to completely read this installation and maintenance guide before removing vanity top from box and installing.

CAUTION: This vanity top is heavy. We recommend two people for lifting and installing. Remember to bend at the knees, not at the waist when lifting heavy objects!

This box contains the following:

- 1- Pegasus Granite vanity top with attached porcelain bowl
- 1- 4" loose backsplash
- 1- Installation/Care & Maintenance/Warranty Brochure
- 1- Warranty Registration Card

INSTALLATION INSTRUCTIONS:

Your Pegasus granite vanity top is made of natural stone quarried from the earth. Every slab of granite has its own unique characteristics, such as veining and coloration. Be sure to fully inspect your top for satisfaction before installation.

If you are not satisfied with your purchase or your Pegasus granite vanity top is damaged, please contact our customer HOTLINE at 800-860-6490.

Tools Needed:

1. Caulking gun
2. Silicone sealer
3. Caulking adhesive or construction adhesive

1. Prepare and level the vanity cabinet and secure it to the wall. Use additional interior supports if the vanity is frameless or does not have full support around the frame. Your granite vanity top is heavy natural stone. Additional wood supports should be 1" x 2" and affixed to the sides with construction adhesive and short wood screws that do not protrude through any exposed sides.

Be sure to follow the recommended instructions for installation from your vanity cabinet manufacturer.

Helpful Hint #1: Be sure to hand tighten wing nuts on the bottom of your Pegasus vanity top, that may have loosened during shipping, before attaching to vanity cabinet.

2. Apply a bead of silicone sealer on the top edges of the vanity cabinet. Place your Pegasus granite top on it with an overhang of 1/2" on the edges and permit the sealer to dry. See manufacturers instructions for drying time.
3. Apply two beads of caulking or construction adhesive on the rear of the back splash (and the side splash if required) and push firmly to the wall. Be sure the wall is clean, dry

Lifetime Residential Limited Warranty

Halstead International warrants that the vanity top will be free from manufacturing defects for the life of the home, provided the original purchaser resides in or owns the home off installation. Halstead warrants that the granite top will not crack, discolor or chip during the lifetime warranty, provided the granite top is maintained according to the installation and maintenance instructions contained within and supplied by Halstead.

During the first 10 years, Halstead will replace any defective top free of charge and cover 100% of the cost of replacement. For the period beyond the first 10 years, Halstead will reimburse the cost of replacement on pro rata basis with a maximum of 65% of the original cost and replacement.

This warranty shall not include damages caused by improper installation or procedures as specifically defined in this pamphlet. This warranty does not include loss of time, inconvenience, incidental expenditures or consequential damages. Some states do not allow exclusions or limitations so that these limitations and exclusions may not apply to you. This warranty gives you specific legal rights, and you may have other legal rights, which can vary from state to state.

This warranty is in lieu of any other express warranties. This warranty is available only by notice to Halstead International, Norwalk, Conn. 06850, through the dealer from whom the purchase was made accompanied by the original invoice. The execution of this warranty can only be authorized by Halstead International.

Pegasus

HALSTEAD

INTERNATIONAL

Norwalk, Conn. 06850

**GRANITE
VANITY TOP**

Pegasus

INSTALLATION

CARE &
MAINTENANCE

WARRANTY

and smooth. You may have to use a patching compound if your wall is uneven or has holes or indentations. Remove loose paint or any wallpaper or decorative material before installation of the back or side splash.

Helpful Hint #2: Your Pegasus granite vanity top has pre-drilled holes for an 8" offset faucet spread. You must use an 8" spread faucet. The pre-drilled holes will accommodate most 8" faucets, however we recommend you check to see that your faucet will work properly. Check to make sure the spout is long enough to extend out over bowl. See diagram on other side.

4. Install the faucet system and the drain plumbing system. Do NOT tighten the drainpipe connection to the bottom of the bowl with a wrench. Tighten by hand only. Tightening by wrench can result in damage to the bowl. Follow the manufacturers instructions for installing the faucet and drain.

GRANITE CARE & MAINTENANCE

Your new Pegasus granite vanity top has been factory sealed and polished to a smooth glass finish. In order to maintain the surface and keep it looking fresh and natural, we recommend the following procedures:

1. All stone products require a resealing at least once a year. Since your top has already been sealed at the factory. You will need to schedule your top for resealing accordingly.
2. Before applying the sealer, the exposed areas should be completely clean and dry. Follow the instructions on the sealer container. Granite sealer is available at your local Expo Design Center or Home Depot. We recommend Stone Care International's "Stoneguard Penetrating Sealer." You may call them at 1-800-839-1654 or visit their web site at www.stonecare.com for complete information.
3. For routine maintenance and cleaning, we recommend Stone Care's "Clean Encounters." The cleaner should be used weekly and more frequently with heavier than usual use or for cleaning of chemicals, such as those commonly found in the bathroom. Be sure to follow the instructions on the container.

4. To keep your Pegasus granite vanity top hygienically clean, we recommend Stone Care's "Counterriffic" on a weekly basis. This spray disinfectant will kill all types of bacteria and is FDA and EPA approved for food handling surfaces.
5. Liquid spills, such as alcohol, medications, etc should be cleaned up promptly. Some liquids with high-acid content can etch granite surfaces if left for any length of time. Popular products that should be promptly cleaned up are: shaving cream, toothpaste, perfume, cologne, nail polish remover, hair coloring and perm products, shampoo, drain opener, and toilet bowl cleaner.
6. Place protective pads on the bottoms of any heavy objects, such as pottery, appliances, or other objects that may scratch the granite surface.
7. Avoid abrasive cleaners or rough cleaning pads. If necessary, a soft buffing pad can be used.
8. Use coasters under drinking glasses to prevent glass rings on the surface.
9. Do not stand on the granite top to fix overhead lights or other items. Do not place extremely heavy items on the top.

HELPFUL HINT #3: Granite is porous and can be stained, but these can be removed. When removing stains, it is important to identify what has caused the stain first. Then be sure to use a product specifically recommended for removing that stain. We recommend you contact Stone Care International at 1-800-839-1654 for more information on their products and how to safely remove any difficult stains that may have occurred.

Types of Stain that can occur (but not limited to):

- Oil-Based Stains: Grease, Tar, Cooking Oil, and food stains.
- Organic Stains: Coffee, Tea, Fruit, Tobacco, cosmetics etc.
- Metal Stains: Iron (rust), copper, bronze, etc.
- Biological Stains: Algae, mildew, lichens, etc.
- Ink Stains: Magic Marker, pen, ink, etc.

HELPFUL HINT #4: Any spill should be cleaned as soon as possible. Blot spills with a paper towel or clean rag. Wiping a spill may spread the stain. If the stain remains you can remove it by literally pulling the stain out of the stone with both a chemical and material that will absorb the stain. This combination is what is called a poultice. Poultices are commonly powder or cloth materials that can be mixed with a chemical and placed on top of the stain to draw it out. Many homeowners have the tools to remove stains right in their home.

Some common poultice materials include but not limited to: Paper towels, cotton balls, gauze pads, flour, clays, chalk and Diatomaceous Earth.

How to apply a poultice?

- Pre-wet the stained area with a little distilled water. This fills the pores of the stone with water isolating the stain and accelerating the removal by chemical;
- Refer to the chart below and determine which chemical to use for the stain;
- If a powder is to be used, premix powder and the chemical of choice into a thick paste, the consistency of peanut butter;
- If a paper poultice is to be used, soak the paper in the chemical. Lift the paper out until it stops dripping;
- Apply the poultice to the stained area approximately 1/4" thick and overlapping the stain by about 1". Do not make the application too thick, or it will take too long to dry;
- Cover the poultice with a plastic sandwich bag or food wrap. Tape the plastic using a low-contact tape. It helps to poke several small holes in the plastic to help poultice dry;
- Allow the poultice to dry thoroughly. This is a very important step. The drying is what pulls the stain out. Allow to dry for 24 to 48 hours;
- Once it has dried, remove the poultice by scrapping and rinse with distilled water and buff dry with soft cloth;
- Examine the stain. If it still remains, but is lighter, re-poultice until it is gone. It may take up to five applications for difficult stains. If the stain refuses to disappear completely, it is time to call a stone specialist.
- Stain removal can be very difficult, and care must be taken when using a poultice.

If the stain is Poultice with

- Rust
- Iron Out
- Coffee & Tea
- Hydrogen Peroxide
- Ink, magic marker
- Methylene Chloride
- Oil
- Ammonia or a degreaser
- Paint
- Mineral Spirits

BOWL MAINTENANCE

Your Pegasus granite vanity top included an affixed porcelain under-mount bowl, please follow these care and maintenance procedures.

1. Clean the bowl surface with a mild solution of warm water and liquid soap. After washing the surface, wipe it clean with soft dry cloth. For an excessively dirty surface, use a strong solution of warm water and liquid soap. For stubborn dirt or grease spots, you may use an undiluted all purpose cleaner. AVOID any abrasive cleaners. Do NOT use solvents.
2. Do not soak dirty dishes for long periods of time, and avoid leaving coffee grounds, tea bags or possible staining agents in the sink.
3. To maintain a sparkling clean appearance, clean your sink routinely once a day and thoroughly once a week.

Bowl testing COMPLIES with:

IAMPO - ASME - A112.19.2M-1998
IAMPO - CSA - B45.0-99 & CSA-B45.1-99

Reminders

1. Retain your Expo Design Center or Home Depot sales receipt.
2. Fill out and mail your warranty registration card.