

LG COOKING

LMV1760ST

1.7 cu. ft. Over-the-Range Microwave Oven

EasyClean® Interior

Auto Defrost

One-Touch Settings

Hidden Vents



AVAILABLE COLORS



STAINLESS STEEL

| CAPACITY | | LIGHTING | | DIMENSIONS / CLEARANCES / WEIGHT | |
|--------------------------------|-----------------------------|-----------------------|------------------|----------------------------------|----------------------------------|
| Oven Capacity (cu.ft.) | 1.7 | Lighting (Exterior) | 30W Incandescent | Cavity (WxHxD) | 20 11/16" x 10 6/16" x 14 3/16" |
| FEATURES | | Lighting (Interior) | 30W Incandescent | Exterior (WxHxD) | 29 14/16" x 16 7/16" x 15 11/16" |
| Microwave Power Output (Watts) | 1000 | SAFETY FEATURES | | Net Weight (lbs) | 48.5 |
| Exterior Design | WideView™ Traditional | Child Lock | Yes | Shipping Weight (lbs) | 61.4 |
| Control Type | Membrane | VENTING SYSTEM | | Shipping Dimensions (WxHxD) | 33 9/16" x 20" x 19 7/16" |
| Control Location | Right Side | Filtration | Charcoal Filter | POWER/RATINGS | |
| Display | Green LED | Exhaust Grease Filter | 2 | Volts | 120 / 60 |
| COOKING FEATURES | | Power Levels | 10 | Amps / Watts | 14A / 1600W |
| EasyClean® Interior | Yes | Vent Grille Type | Hidden | LIMITED WARRANTY | |
| Power Levels | 10 | Vent Air Flow (CFM) | 300 | Parts and Labor | 1 Year |
| Defrost | Auto / Time / Rapid Defrost | MATERIALS/FINISHES | | Magnetron | 10 Years |
| Auto Cook Options | 4 | All Available Colors | Stainless Steel | UPC CODES | |
| CONVENIENCE FEATURES | | Interior Color | Gray | LMV1760ST (Stainless Steel) | 048231341110 |
| Turntable Diameter (inches) | 12.6" | | | | |
| Clock | Yes | | | | |
| Completion Beeper | Yes | | | | |
| Turntable On/Off | Yes | | | | |
| Add 30 Second | Yes | | | | |

LG COOKING

LMV1760ST

1.7 cu. ft. Over-the-Range Microwave Oven

QUICK INSTALL & CLEARANCES

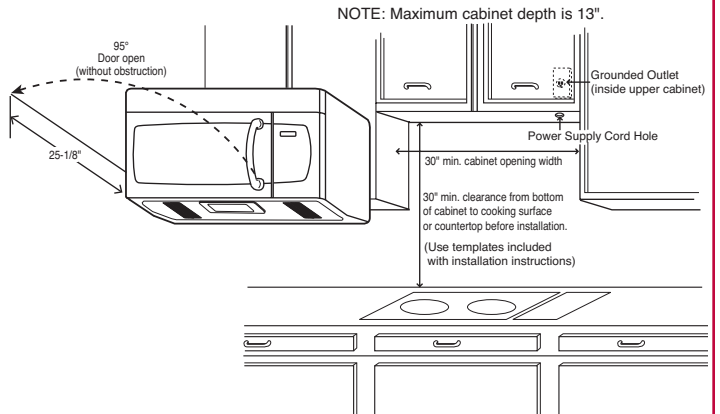
For full installation directions/clearances please refer to the corresponding User Manual and Installation Guide.

| DIMENSIONS / CLEARANCES | |
|-----------------------------|----------------------------------|
| Cavity (WxHxD) | 20 11/16" x 10 6/16" x 14 3/16" |
| Exterior (WxHxD) | 29 14/16" x 16 7/16" x 15 11/16" |
| Shipping Dimensions (WxHxD) | 33 9/16" x 20" x 19 7/16" |
| POWER/RATINGS | |
| Volts | 120 / 60 |
| Amps / Watts | 14A / 1600W |

MAKE SURE YOU HAVE ENOUGH SPACE AND SUPPORT.

- Mount the oven against a flat, vertical wall, so that it is supported by the wall. The wall should be constructed of minimum 2" x 4" wood studding and 3/8" thick drywall or plaster/lath.
- **ATTACH AT LEAST ONE** of the two lag screws supporting the oven to a vertical, 2" x 4" wall stud.
- **DO NOT** mount the microwave oven to an island or peninsula cabinet.
- **BE SURE** the upper cabinet and rear wall structures are able to support 150 lbs., plus the weight of any items you place inside the oven or upper cabinet.
- Locate the oven away from strong draft areas, such as windows, doors, and strong heating vents.
- **BE SURE** you have enough space. See diagram for minimum vertical and horizontal clearance.

CLEARANCES

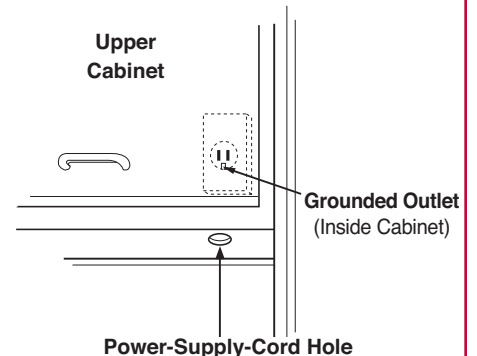


⚠ CAUTION

- Before you begin installing the oven, **PLACE A PIECE OF THE CARTON OR OTHER HEAVY MATERIAL (a blanket) over the countertop or cooktop to protect it. Do not use a plastic cover.** Failure to protect these surfaces could result in property damage.

ELECTRICAL CONNECTION

- Locate the grounded electric outlet for this oven in the cabinet above the oven, as shown.
- **NOTE:** The outlet should be on a circuit dedicated to the microwave oven (120V, 60 Hz., AC only) with a 15 or 20A fused electrical supply.
- **IMPORTANT:** If you do not have the proper wall outlet, you **MUST** have one installed by a qualified electrician.
- You will cut the hole for the power supply cord later when you prepare the wall and upper cabinet in.
- **NOTE:** Do not use an extension cord. Keep the power cord dry and do not pinch or crush it.



⚠ WARNING

- **AVOID ELECTRIC SHOCK! THIS APPLIANCE MUST BE GROUNDED!** Improper grounding could result in electric shock or other personal injury.

