

Hitch Kit

Zero-Turn-Radius Riding Mower

Model No. 79014

Installation Instructions

Safety

- Do not attach towed equipment except at the hitch point.
- Follow the manufacturer's recommendation for weight limits for towed equipment and towing on slopes.
- Never allow children or others in or on towed equipment.
- On slopes, the weight of the towed equipment may cause loss of traction and loss of control.
- Travel slowly and allow extra distance to stop.
- Make wide turns and keep towed equipment clear of the towing vehicle.

Safety and Instructional Decals



Safety decals and instructions are easily visible to the operator and are located near any area of potential danger. Replace any decal that is damaged or lost.



109-7076

Loose Parts

Use the chart below to verify that all parts have been shipped.

Procedure	Description	Qty.	Use
1	Rear hitch	1	Install the rear hitch.
	Short Bolt (5/16 inch x 1 inch)	2	
	Long Bolt (5/16 inch x 2-1/2 inch)	2	
	Locknut (5/16 inch)	2	
2	Decal	1	Install the decal.

1

Installing the Rear Hitch

Parts needed for this procedure:

1	Rear hitch
2	Short Bolt (5/16 inch x 1 inch)
2	Long Bolt (5/16 inch x 2-1/2 inch)
2	Locknut (5/16 inch)

Procedure

Select the appropriate length bolts from the loose parts package. Install the bracket to the frame as shown in Figure 1 and Figure 2.

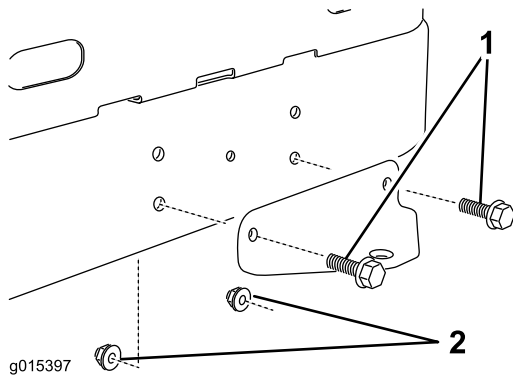


Figure 1
Before assembly

- 1. Bolt (2)
- 2. Locknut (2)

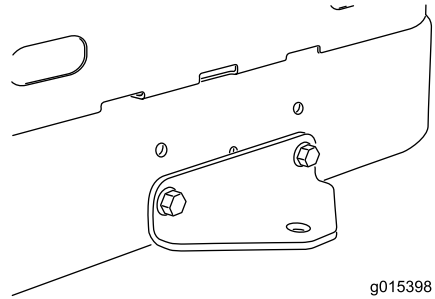


Figure 2
After assembly

If installing the hitch on a model with optional back weights use the lower pair of existing fasteners (Figure 3).

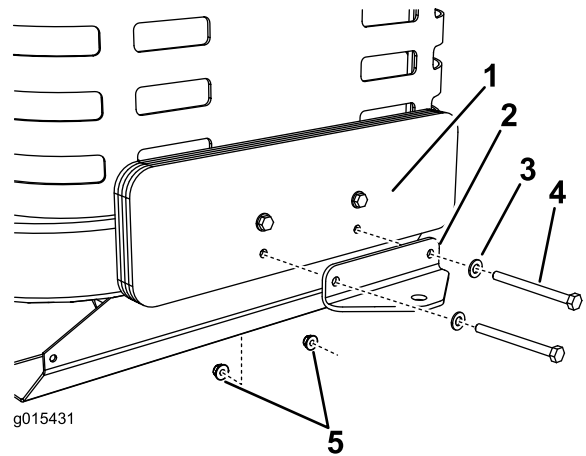


Figure 3

- 1. Weights (existing)
- 2. Hitch
- 3. Washer (existing)
- 4. Bolt (existing)
- 5. Locknut (existing)

Note: Torque all fasteners to 200 ± 25 in-lbs.

2

Installing the Decal

Parts needed for this procedure:

1	Decal
---	-------

Procedure

1. Thoroughly clean an area to one side of the hitch where you will install the decal with water or mildly soapy water.
2. Peel the decal from the backing and install it in place (Figure 4 or Figure 5).

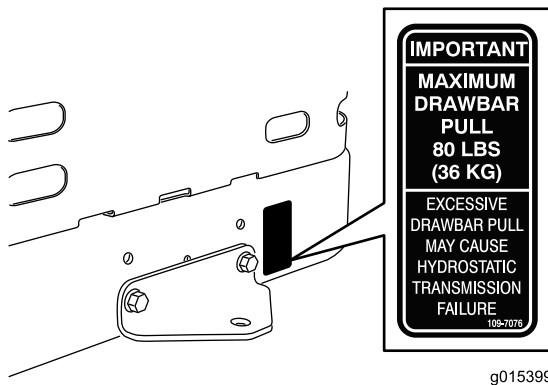


Figure 4
Models without weights

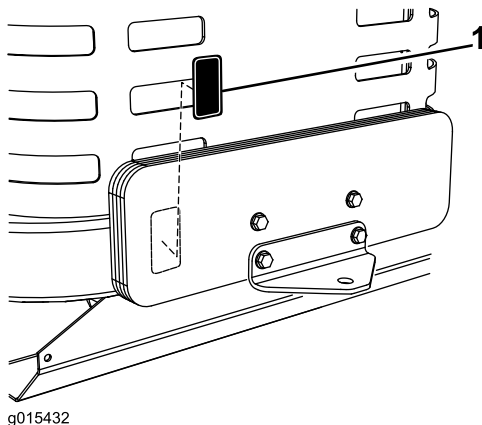


Figure 5
Models with weights

1. Maximum drawbar pull decal

3. Squeegee across the surface of the decal, starting at the center of the decal and working toward the edges, using overlapping strokes.

