

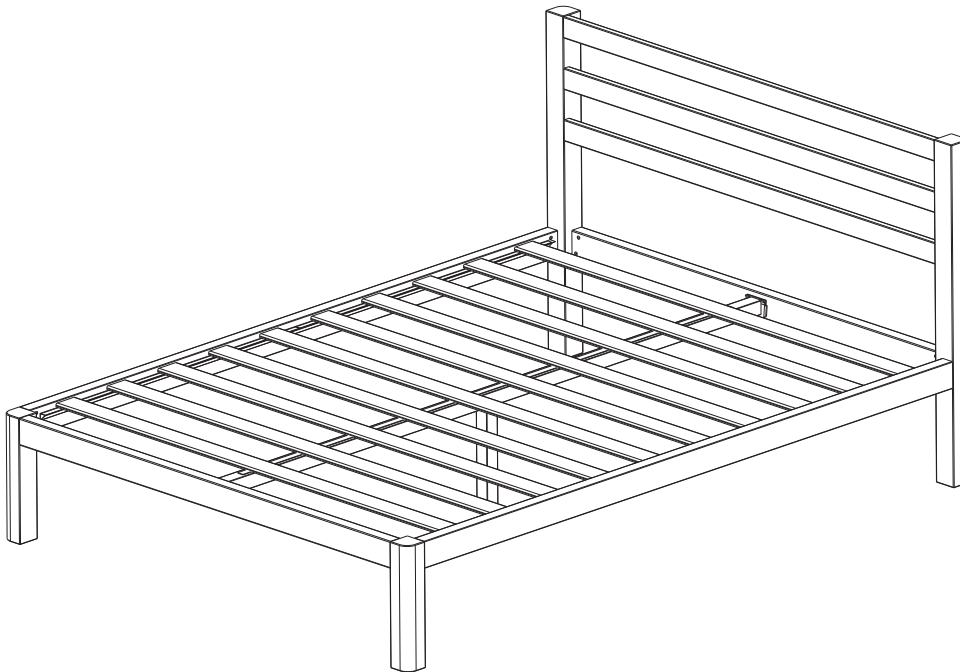
StyleWell.™

Item # 1004028183
Model # THD-HBSLBF-T-BK
Item # 1004028189
Model # THD-HBSLBF-F-BK
Item # 1004028188
Model # THD-HBSLBF-Q-BK
Item # 1004028190
Model # THD-HBSLBF-K-BK

Item # 1004028187
Model # THD-HBSLBF-T-PW
Item # 1004028184
Model # THD-HBSLBF-F-PW
Item # 1004028186
Model # THD-HBSLBF-Q-PW
Item # 1004028185
Model # THD-HBSLBF-K-PW

USE AND CARE GUIDE

METAL PLATFORM BED WITH HORIZONTAL SLATS



Questions, problems, missing parts? Before returning
to the store, Customer Service.

8 a.m. – 7 p.m., EST, Monday – Friday, 9 a.m. – 6 p.m.,
EST, Saturday

1-877-527-0313

HOMEDEPOT.COM

THANK YOU

We appreciate the trust and confidence you have placed in StyleWell through the purchase of this Metal Platform Bed with Horizontal Slats. We strive to continually create quality products designed to enhance your home. Visit us online to see our full line of products available for your home improvement needs. Thank you for choosing Stylewell!!

Table of Contents

Table of Contents.....	2
Safety Information.....	2
Warranty.....	2
What is Covered.....	2
What is Not Covered.....	2
Pre-Assembly	3
Planning Assembly	3
Hardware Included	3
Package Contents.....	4
Assembly	5
Maintenance	7
Care and Cleaning	7

Safety Information

Remark

1. Keep small parts away from children during assembly
2. Read and follow instructions carefully



Warning: Any assembly of the product must be carried out by adults only.



Warning: Check all bolts periodically for tightness to avoid collapse. When required, tighten them.



Warning: The Maximum recommended loading weight capacity is 1200 lbs for Twin and 2400 lbs for Full/Queen/King and it may not be exceeded. Exceeding the loading capacity may result in collapse and possible injury.

Warranty

1 YEARS WARRANTY

WHAT IS COVERED

This warranty is your sole remedy for product defects only. The defects include circumstances where the frame has broken under normal use and no longer performs its function.

WHAT IS NOT COVERED

It does not cover damage due to mishandling, misuse or abuse. We are not responsible for incidental or consequential damages.

Pre-Assembly

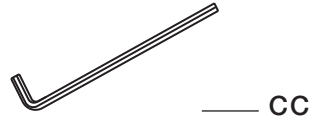
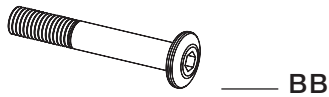
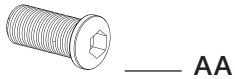
PLANNING ASSEMBLY

Keep children and pets away from build area, make sure your area is large enough to unpack, sort and assemble the unit.

HARDWARE INCLUDED



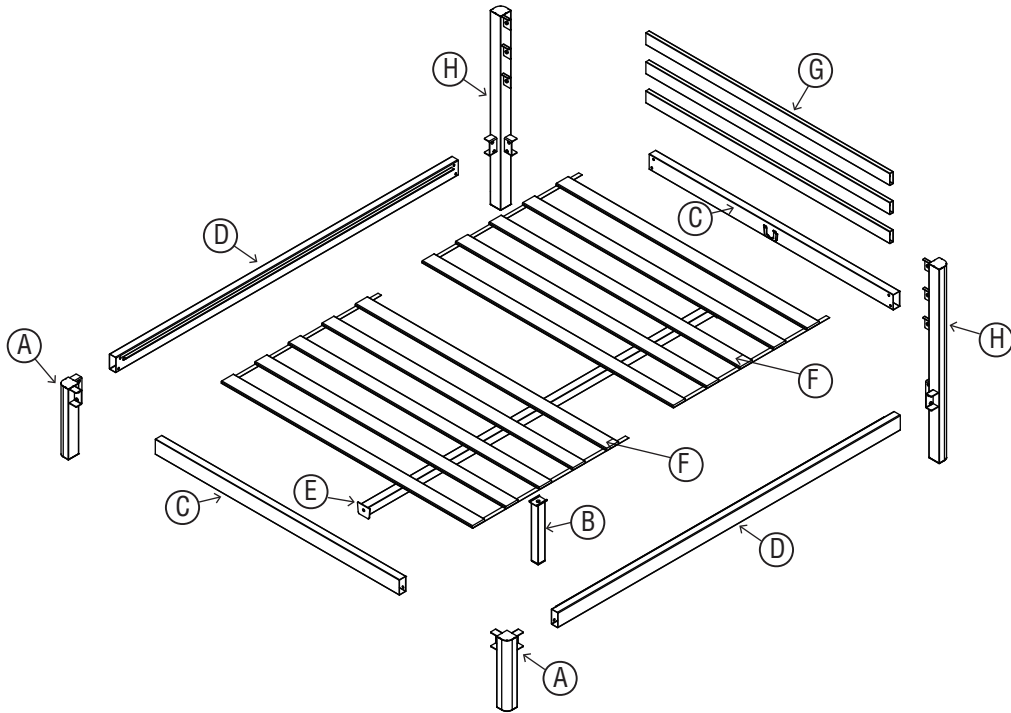
NOTE: Hardware not shown to actual size.



Part	Description	Quantity
AA	M8 x 18 bolt	22
BB	M8 x 53 bolt	1
CC	Hex Key	1

Pre-Assembly (cont.)

PACKAGE CONTENTS

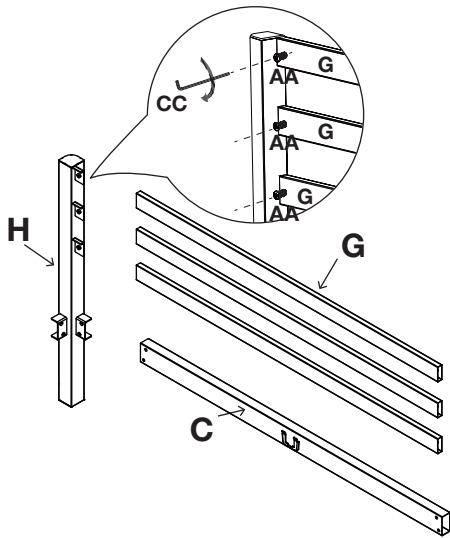


Part	Description	Quantity
A	leg	2
B	middle leg	1
C	horizontal tube	2
D	side tube	2
E	connecting pipe	1
F	supporting wood lath	2
G	headboard horizontal tube	3
H	headboard leg	2

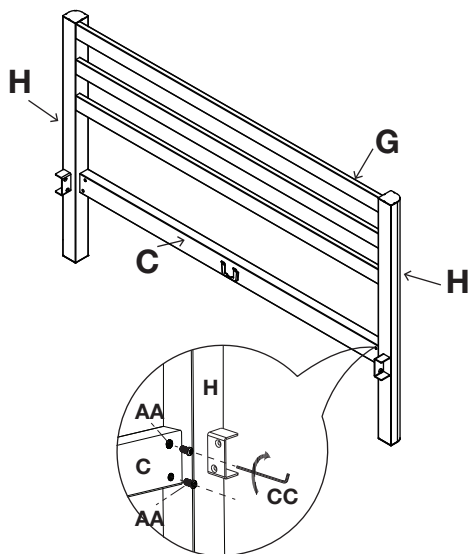
Assembly

1 Assembly the headboard

- Joint headboard horizontal tube (G), horizontal tube (C) to headboard leg (H) with bolt (AA).

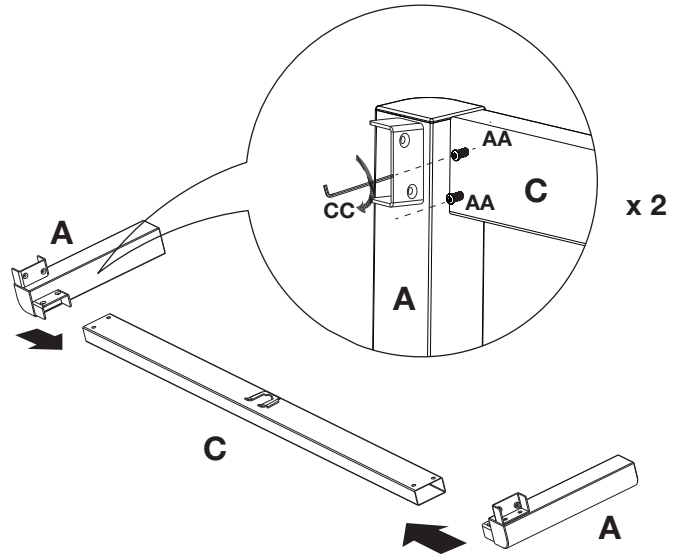


- Joint headboard horizontal tube (G), horizontal tube (C) to another headboard leg (H) with bolt (AA).



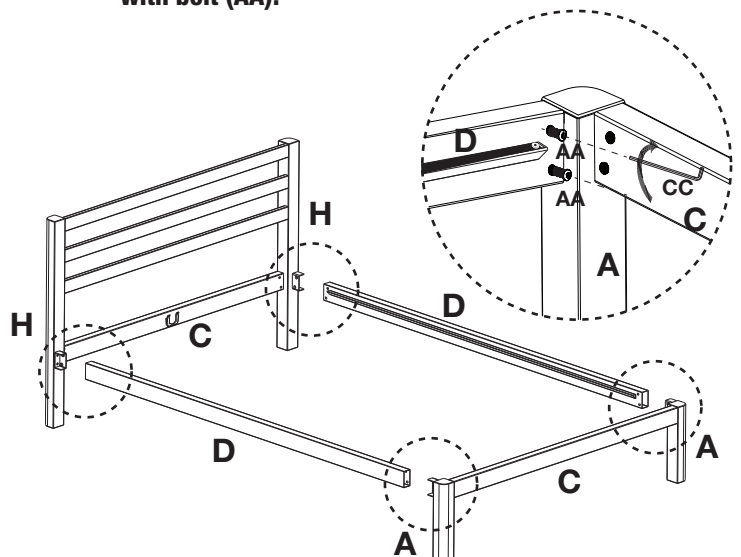
2 Assembly the footboard

- Joint leg (A) to horizontal tube (C) with bolt (AA).



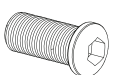
3 Joint side tube.

- Joint side tube (D) to leg (A) and headboard leg (H) with bolt (AA).



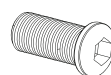
M8 x 18 bolt
(AA)x10

Hex key
(CC)x1



M8 x 18 bolt
(AA) x12

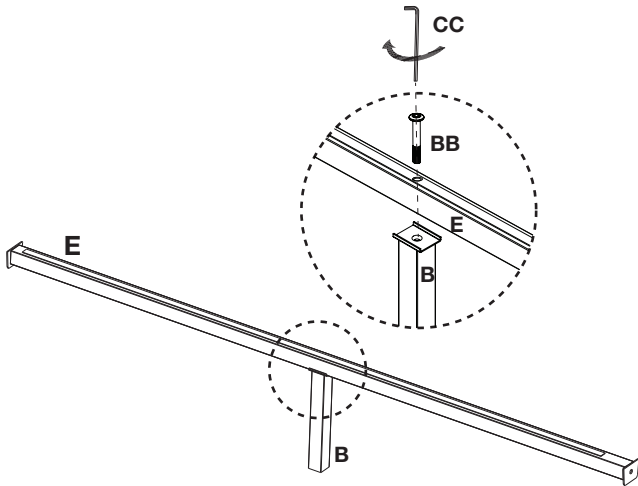
Hex key
(CC) x1



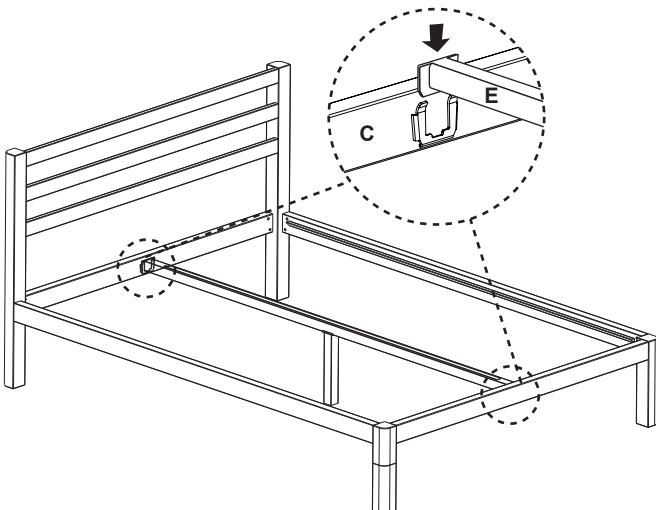
Assembly

4 Assembly middle leg

- Joint middle leg (B) to connecting pipe (E) with bolt (BB).

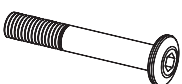


- Insert connecting pipe (E) into slots of horizontal tube (C) as shown.



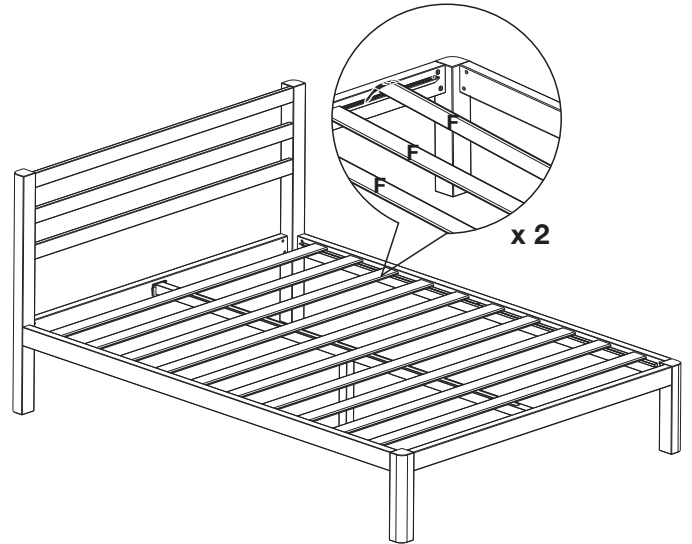
M8 x 53 bolt
(BB) x1

Hex key
(CC) x1



5 Assembly supporting wood lath

- Stick supporting wood lath (F) on side tube (D).



Maintenance

- **Keep the product away from direct heat and sunlight.**
- **Prolonged exposure to heat sources may cause scorching, or even cause color to fade.**
- **Regular vacuuming or light brushing helps to remove dirt and prevent soil build-up, which increases the appearance wear.**
- **Periodically (every 90 days) make sure that the screws are fully tightened.**

Care and Cleaning

- **Vacuum your product regularly. Small dust particles are very abrasive and can wear furniture prematurely.**
- **Never use harsh chemicals or solvents on your product as this may damage the metal.**
- **Marks and stains from pens, crayons and ink markers are difficult to remove. In the event that your product becomes permanently stained, we recommend that you consult a professional.**

StyleWell.TM

**Questions, problems, missing parts?
Before returning to the store, call Customer Service.
8 a.m. – 7 p.m., EST, Monday – Friday, 9 a.m. – 6 p.m., EST, Saturday**

**1-877-527-0313
HOMEDEPOT.COM**

Retain this manual for future