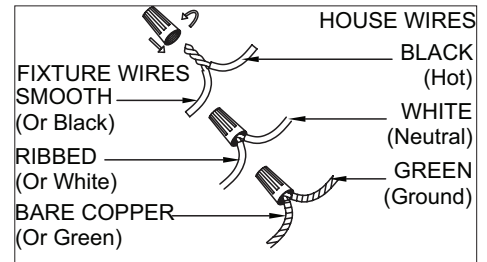
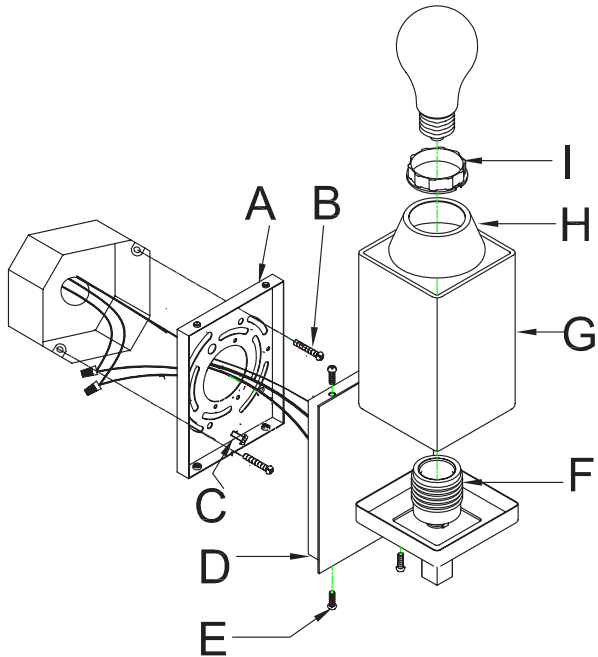


Assembly Instructions: DDDD-BA1

IMPORTANT:

- ALL INSTALLATION WORK SHOULD BE DONE BY ACCREDITED PROFESSIONAL.
- SHUT OFF POWER SUPPLY AT FUSE OR CIRCUIT BREAKER!
- USE ONLY THE SPECIFIED BULBS. DO NOT EXCEED THE MAXIMUM WATTAGE!

For Customer Service, contact
Toll Free: 800.277.0979 Ext. 0 or
Email: service@laureldesigns.biz



PREPARING FOR INSTALLATION

Remove all of the contents from the carton. See the important notes above. Shut off the power at the circuit breaker and completely remove the old fixture from the wall, including the old mounting strap.

Mounting strap (A) may be attached to backplate (D). The mounting strap contains several pairs of threaded holes. Find the pair of holes that matches the spacing of the holes on the junction box and your fixture backplate. Be sure that the screw holes are vertical. Pull the house wires through the center of mounting strap (A). Place mounting strap (A) over the junction box so that mounting screws (B) may be inserted horizontally and align the screw hole locations on the mounting strap with the hole locations on fixture backplate (D). Secure mounting strap (A) to the junction box with mounting screws (B) and a screwdriver. Tighten the screws securely.

CONNECTING THE WIRES

Attach the fixture's wires to the power supply wires from the junction box. Connect black to black (or smooth); white to white (or ribbed); ground to ground (green or copper). Twist the ends of the wire pairs together, then twist on a wire connector. Make sure all twists are in the same direction. If there is no ground wire (green or copper) from the junction box, locate ground screw (C) on mounting strap (A) and wrap the fixture ground wire around the green ground screw (C). Use a screwdriver to secure ground screw (C) onto the mounting bracket. Tuck all wires neatly into the junction box.

FINISHING THE INSTALLATION

Place fixture backplate (D) over mounting strap (A) so that the holes in the top of the mounting strap line up with the holes in the backplate. Thread screws (E) into backplate (D) until backplate (D) is snug against the wall.

Slide glass shade (G) over socket (F) and secure in place with spacer (H) followed by socket ring (I).

Install the bulb (not included) in accordance with the fixture's specifications. Do not exceed the recommended wattage.

Your installation is now complete. Turn on the power and test the fixture.

CLEANING TIPS

Treat the fixture gently! Regular cleaning will reduce the need for deep cleaning. For regular cleaning, turn off the light and wipe down the fixture with a clean lint-free cotton or microfiber cloth. Never spray cleaner directly onto the fixture.