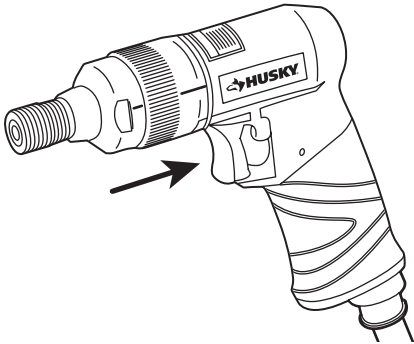


# Operation

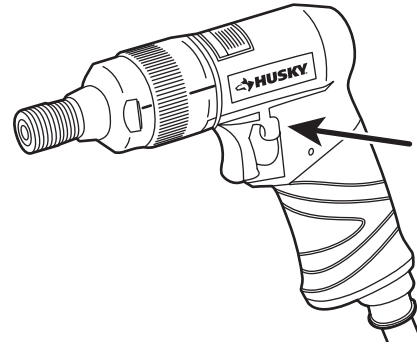
## 1 Operating the impact driver

- This Impact Driver has a two-step trigger that delivers higher speed with increased trigger pressure. The speed is controlled by the amount of switch trigger depression.
- To turn the impact driver ON, depress the switch trigger.
- To turn the impact driver OFF, release the switch trigger.



## 2 Changing the rotation direction

- The direction of the bit rotation is reversible.
- Control the rotation direction by moving the side-mounted switch to Forward or Reverse as required for the operation.



## 3 Installing and removing the bits



**NOTE:** It is normal for there to be some play in the installed bit. Use only impact quality bits with a locking groove.



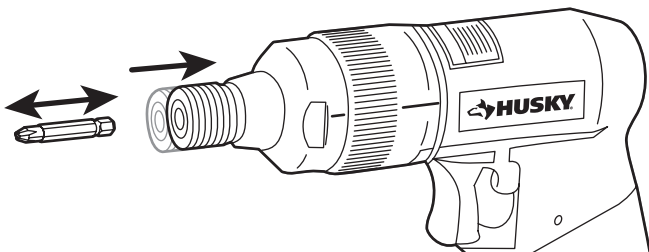
**WARNING:** Ensure the bit is secured in the coupler before using the impact driver. Failure to do so could cause serious personal injury.

### To install the bits:

- Remove the air supply from the impact driver.
- Pull back the ball retainer (37) and insert the bit. Release the sleeve and the bit locks in place.
- Pull on the bit to ensure it is secured in the coupler.

### To remove the bits:

- Remove the air supply from the impact driver.
- With the nose of the tool pointed away from you, pull back the ball retainer (37).
- Remove the bit.



## 4 Driving or removing screws

- Place the rotation direction switch in the correct position (forward or reverse) for the operation.
- Hold the impact driver with one hand.
- Place the bit on the screw head and slowly depress the switch trigger. Start the bit slowly for more control.
- As the screw is driven, impacting will begin.

