

Collection Overview

Interior Installations

Raw steel column with primed steel treads and platform, available with vinyl or aluminum handrails and suitable for corner or loft installations. Optional components include Red Oak wood tread covers, Anti-slip traction tread covers and additional platform rail. Adjustable rise from 8 ½" to 9 ½" between treads.

Exterior Installations

Galvanized steel column, treads and platform, available with vinyl or aluminum handrails and suitable for exterior and interior corner or loft installations. Optional components include additional platform rail. Adjustable rise from 8 ½" to 9 ½" between treads.

Color and Finish Options

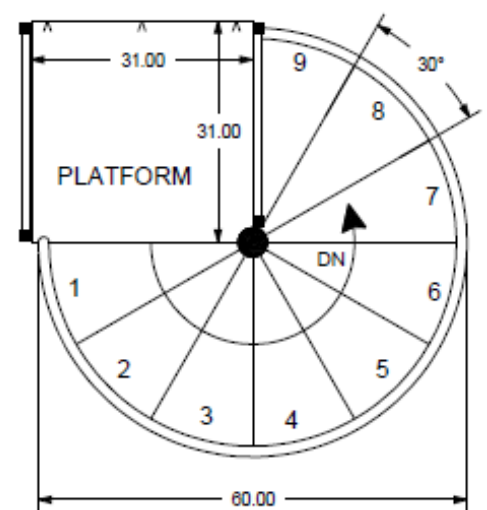
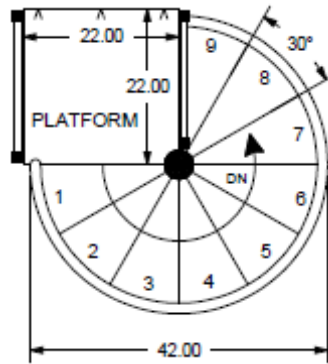
	Interior	Exterior
Column	Raw Steel	Galvanized Steel
Treads and Balusters	Primed (Flat Black)	Galvanized Steel
Tread Type	Smooth Steel	Diamond Plate
Handrail	Black Vinyl or Raw Aluminum	Black Vinyl or Raw Aluminum
Optional Wood Tread Covers	Red Oak	N/A
Optional Traction Tread Covers	Black	N/A

Diameter Measurements

The recommended opening should be at least 2" wider than the staircase's diameter.

Please refer to the following chart for more diameter measurement information.

Stair Diameter	Floor Opening
42" (3'6")	44"
60" (5'0")	62"

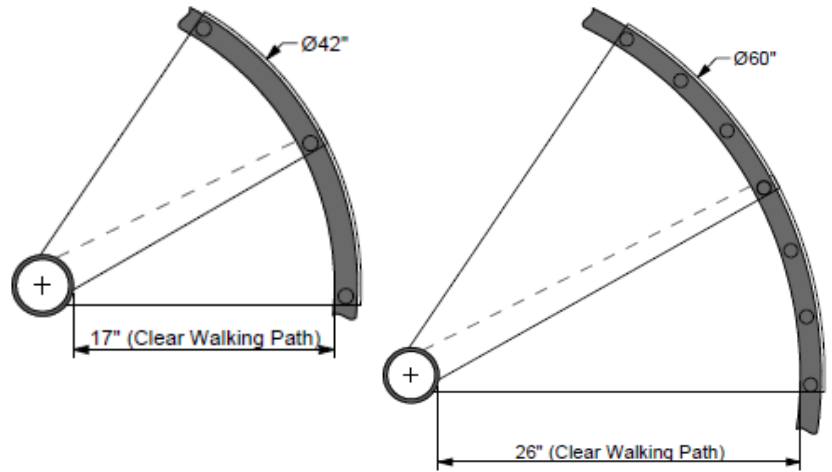


Walking Path Measurements

The clear walking path is the measurement from the inside of the column to the inside of the handrail and will vary by model and diameter choice.

Please refer to the following chart for more walking path measurement information.

Stair Diameter	Clear Walking Path
42" (3'6")	17"
60" (5'0")	26"



Elevation Measurements

The Reroute Collection is offered in various tread counts to cover a multitude of height application. Each tread is adjustable from 8 ½" to 9 ½" between treads. Floor to Floor height is measured from the lower floor to the top of the floor above. Please refer to the chart below to find the proper tread count for your installation application.

Tread Count	Floor to Floor Measurements	
	Height Min	Height Max
9	85"	95"
10	93.5"	104.5"
11	102"	114"
12	110.5"	123.5"
13	119"	133"
14	127.5"	142.5"
15	136"	152"

Elevation Measurements (continued)

