

Ceiling Fan-Light

MODEL: 769RL

**SUITABLE FOR USE OVER TUB OR SHOWER ENCLOSURE
WHEN INSTALLED IN A GFCI PROTECTED BRANCH CIRCUIT.**

IMPORTANT SAFETY INSTRUCTIONS

**WARNING: TO REDUCE THE RISK OF FIRE,
ELECTRIC SHOCK, OR INJURY TO PERSONS, OBSERVE THE
FOLLOWING:**

- Use this unit only in the manner intended by the manufacturer. If you have questions, contact the manufacturer.
- Before servicing or cleaning unit, switch power off at service panel and lock service panel to prevent power from being switched on accidentally. When the service disconnecting means cannot be locked, securely fasten a prominent warning device, such as a tag, to the service panel.

CAUTION:

For general ventilating use only. Do not use to exhaust hazardous or explosive materials and vapors.

INSTALLATION INSTRUCTIONS

**WARNING: TO REDUCE THE RISK OF FIRE,
ELECTRIC SHOCK, OR INJURY TO PERSONS, OBSERVE THE
FOLLOWING:**

- Installation work and electrical wiring must be done by qualified person(s) in accordance with all applicable codes and standards, including fire-rated construction.
- Sufficient air is needed for proper combustion and exhausting of gases through the flue (chimney) of fuel burning equipment to prevent back drafting. Follow the heating equipment manufacturer's guideline and safety standards such as those published by the National Fire Protection Association (NFPA), and the American Society for Heating, Refrigeration and Air Conditioning Engineers (ASHRAE), and the local code authorities.
- When cutting or drilling into wall or ceiling, do not damage electrical wiring and other hidden utilities.
- Ducted fans must always be vented to the outdoors.
- If this unit is to be installed over a tub or shower, it must be marked as appropriate for the application.
- NEVER place a switch where it can be reached from a tub or shower.

- **WARNING: To reduce the risk of fire or electric shock, do not use this fan with any solid-state speed control device.**
- **WARNING: To reduce the risk of shock, disconnect power before servicing.**
- Not for use in kitchens.
- Do not install in a ceiling insulated to a value greater than R-40.
- For installation in sloped ceilings up to 7/12 pitch, ductwork must point up.

FOR BEST RESULTS

For new construction install the housing during the rough-in stage of construction. The blower unit, light and grille should be installed after the finished ceiling is in place.

To install the Exhaust Fan-Light in an existing finished building requires an accessible area (attic or crawl space) above the planned location.

PLANNING DUCTWORK AND WIRING

DUCTWORK

- Use 4" round duct.
- Plan to run duct from the fan's discharge opening to the outside. For best fan performance, make duct run as short as possible and use minimum number of elbows.
- Use optional NuTone ducting accessories as needed (refer to NuTone's catalog for a complete listing of optional accessories).

WIRING

Plan to run 120vAC house wiring (with ground) from a power source, through a standard wall switch or an optional NuTone double FAN/LIGHT switch, to the junction box in the Fan-Light's housing.

INSTALLATION IN A NEW CONSTRUCTION SITE

PREPARATION

- Unplug the power unit.
- Refer to Figure 1.** Remove power unit/blower assembly from the housing. Remove screw and pull power unit assembly tabs out of slots in housing. Set unit aside until needed.
- Remove one of the wiring knockouts from housing.

MOUNTING THE HOUSING

USING SIDE MOUNTING TABS

Refer to Figure 2.

- Locate housing next to ceiling joist.
- Use wood screws (not provided) to loosely attach housing to ceiling joist through keyhole slots in mounting tabs.
- Adjust housing so that it will be flush with the finished ceiling.
- When housing is properly adjusted, tighten screws in slots.

USING HANGER BARS

(Hanger bars sold separately, order model HB4)

Refer to Figure 3.

- Insert hanger bars in slots provided in housing.
- Locate fan housing between ceiling joists so that bottom of fan housing is even with the planned finished ceiling.
- Use screws or nails to secure mounting brackets to ceiling joists.

INSTALLING DUCTWORK

- Refer to Figure 1.** Place duct collar over flanges at discharge opening of fan. Secure collar by snapping tabs into slots in flanges.
- Refer to Figure 4.** Run 4" round duct from outside to fan's discharge opening.
- Connect duct to duct collar.

WIRING

Refer to Figures 5 and 6.

All wiring must comply with local codes and unit must be properly grounded.

1. Run 120vAC house wiring from power source, through wall switch, to junction box in housing.
2. To control both fan and light with one switch, install wiring.
3. For separate control of the fan and light, use NuTone double switch and install wiring.
4. Install approved box connector into wiring access hole. String wires through box connector and into junction box.
5. Use approved wire nuts to make wire connections. Green or bare supply ground lead must be connected to green lead in wiring compartment.

POWER/BLOWER UNIT INSTALLATION

Refer to Figure 1.

1. Place power/blower unit into housing so that mounting plate's tabs insert into slots in housing.
2. Secure mounting plate with provided screw.
3. Insert motor plug into junction box receptacle.

COMPLETING INSTALLATION

Refer to Figure 1.

1. Remove acorn nut from the threaded stud on motor mounting plate.
2. Place reflector into grille.
3. Align grille/reflector assembly with housing and insert light plug into receptacle in junction box.
4. Using acorn nut, secure grille/reflector assembly to motor mounting strap.
5. Install 100 watt (maximum) light bulb into light socket.
6. Install lens by squeezing both sides and inserting lens tabs into slots in grille.

INSTALLATION IN EXISTING CONSTRUCTION

PLANNING

Installing a bathroom exhaust fan-light in a finished house requires at least a small accessible area (attic or crawl space) above the planned installation location.

Plan ducting and wiring before proceeding with installation (see page 1).

CAUTION: Check area above planned location to be sure that:

- (1) Ducting can be installed
- (2) Wiring can be run to the planned location
- (3) No wiring or other obstruction might interfere with installation

INSTALLATION

1. The fan light can be mounted directly to a ceiling joist or spaced between joists using hanger bars (sold separately). If housing is to be mounted directly to ceiling joist plan cutout so side of housing with mounting tabs is against joist.

LOCATING JOIST: Lightly tap the ceiling. A hollow sound means no joists, a solid sound means a joist is present. To be sure you have located a joist, drill a small hole (1/16") and probe into the ceiling with a wire. Leave wire in hole to help locate it in the attic or crawl space.

2. Locate hole in attic or crawl space.
3. Using the housing as a template, mark the ceiling for the cutout. Cutout dimensions: 9¹/₈" x 9¹/₈".
4. Make cutout along marked line.
5. Refer to Mounting The Housing on page 2.

Limited Warranty

Warranty Period and Exclusions: Broan-NuTone LLC (the "Company") warrants to the original consumer purchaser of its product ("you") that the product (the "Product") will be free from material defects in the Product or its workmanship for a period of one (1) year from the date of original purchase.

The limited warranty period for any replacement parts provided by the Company and for any Products repaired or replaced under this limited warranty shall be the remainder of the original warranty period.

This warranty does not cover speed controls, fluorescent lamp starters, tubes, halogen and incandescent bulbs, fuses, filters, ducts, roof caps, wall caps and other accessories for ducting that may be purchased separately and installed with the Product. This warranty also does not cover (a) normal maintenance and service, (b) normal wear and tear, (c) any Products or parts which have been subject to misuse, abuse, abnormal usage, negligence, accident, improper or insufficient maintenance, storage or repair (other than repair by the Company), (d) damage caused by faulty installation, or installation or use contrary to recommendations or instructions, (e) any Product that has been moved from its original point of installation, (f) damage caused by environmental or natural elements, (g) damage in transit, (h) natural wear of finish, (i) Products in commercial or nonresidential use, or (j) damage caused by fire, flood or other act of God. This warranty covers only Products sold to original consumers in the United States by the Company or U.S. distributors authorized by the Company.

This warranty supersedes all prior warranties and is not transferable from the original consumer purchaser.

No Other Warranties: This Limited Warranty contains the Company's sole obligation and your sole remedy for defective products. The foregoing warranties are exclusive and in lieu of any other warranties, express or implied. **THE COMPANY DISCLAIMS AND EXCLUDES ALL OTHER EXPRESS WARRANTIES, AND DISCLAIMS AND EXCLUDES ALL WARRANTIES IMPLIED BY LAW, INCLUDING WITHOUT LIMITATION THOSE OF MERCHANTABILITY AND FITNESS FOR A PARTICULAR PURPOSE.** To the extent that applicable law prohibits the exclusion of implied warranties, the duration of any applicable implied warranty is limited to the period specified for the express warranty above. Some states do not allow limitations on how long an implied warranty lasts, so the above limitation may not apply to you. Any oral or written description of the Product is for the sole purpose of identifying it and shall not be construed as an express warranty.

Whenever possible, each provision of this Limited Warranty shall be interpreted in such manner as to be effective and valid under applicable law, but if any provision is held to be prohibited or invalid, such provision shall be ineffective only to the extent of such prohibition or invalidity, without invalidating the remainder of such provision or the other remaining provisions of the Limited Warranty.

Remedy: During the applicable limited warranty period, the Company will, at its option, provide replacement parts for, or repair or replace, without charge, any Product or part thereof, to the extent the Company finds it to be covered by and in breach of this limited warranty under normal use and service. The Company will ship the repaired or replaced Product or replacement parts to you at no charge. You are responsible for all costs for removal, reinstallation and shipping, insurance or other freight charges incurred in the shipment of the Product or part to the Company. If you must send the Product or part to the Company, as instructed by the Company, you must properly pack the Product or part—the Company is not responsible for damage in transit. The Company reserves the right to utilize reconditioned, refurbished, repaired or remanufactured Products or parts in the warranty repair or replacement process. Such Products and parts will be comparable in function and performance to an original Product or part and warranted for the remainder of the original warranty period.

Exclusion of Damages: THE COMPANY'S OBLIGATION TO PROVIDE REPLACEMENT PARTS, OR REPAIR OR REPLACE, AT THE COMPANY'S OPTION, SHALL BE YOUR SOLE AND EXCLUSIVE REMEDY UNDER THIS LIMITED WARRANTY AND THE COMPANY'S SOLE AND EXCLUSIVE OBLIGATION. THE COMPANY SHALL NOT BE LIABLE FOR INCIDENTAL, INDIRECT, CONSEQUENTIAL OR SPECIAL DAMAGES ARISING OUT OF OR IN CONNECTION WITH THE PRODUCT, ITS USE OR PERFORMANCE.

Some states do not allow the exclusion or limitation of incidental or consequential damages, so the above limitation or exclusion may not apply to you. This warranty gives you specific legal rights, and you may also have other rights, which vary from state to state.

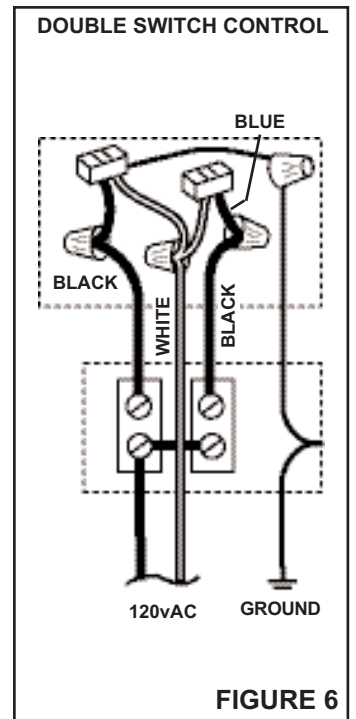
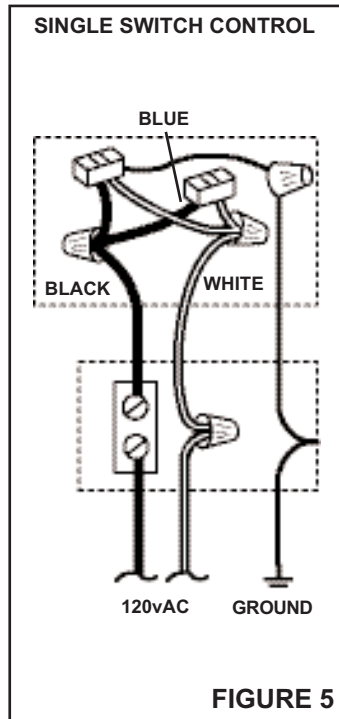
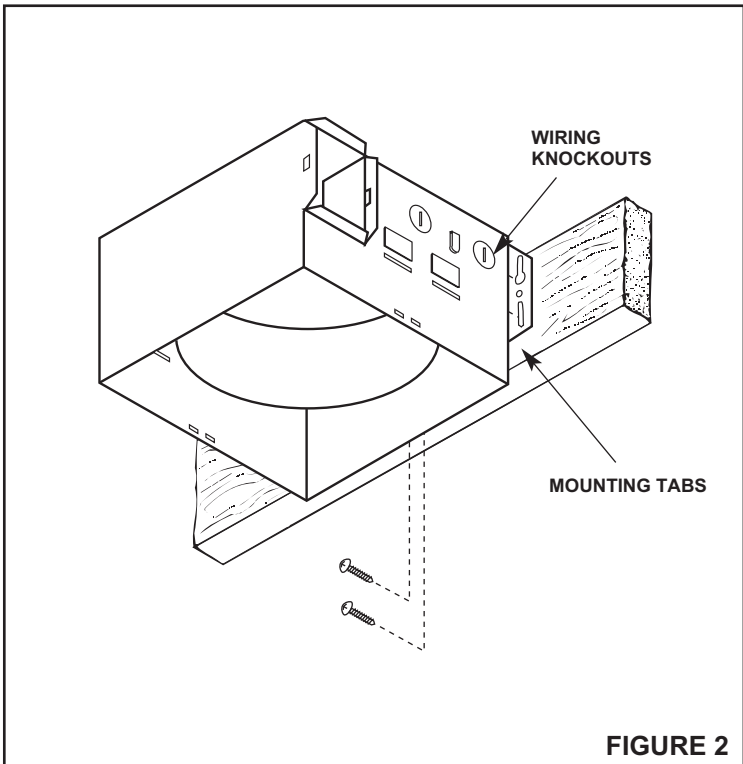
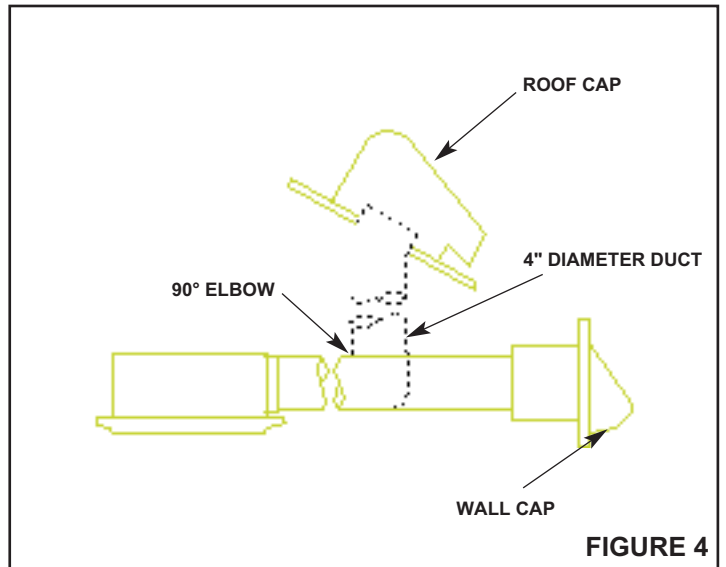
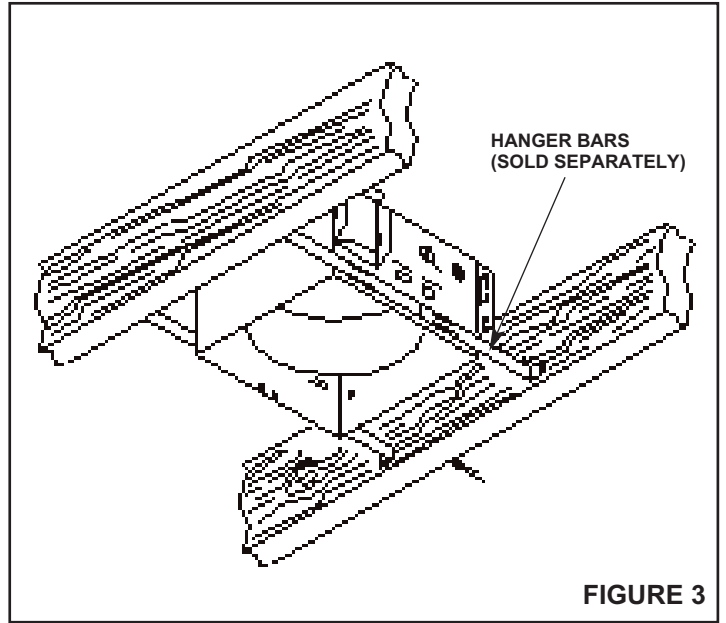
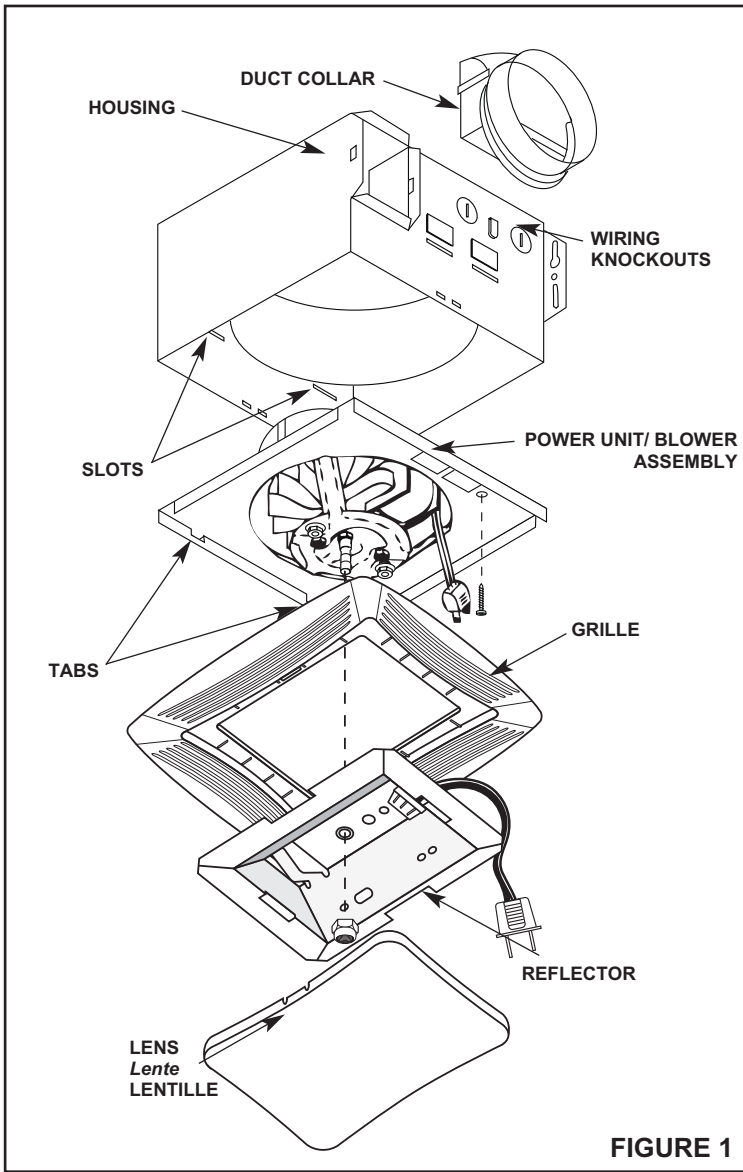
This warranty covers only replacement or repair of defective Products or parts thereof at the Company's main facility and does not include the cost of field service travel and living expenses.

Any assistance the Company provides to or procures for you outside the terms, limitations or exclusions of this limited warranty will not constitute a waiver of such terms, limitations or exclusions, nor will such assistance extend or revive the warranty.

The Company will not reimburse you for any expenses incurred by you in repairing or replacing any defective Product, except for those incurred with the Company's prior written permission.

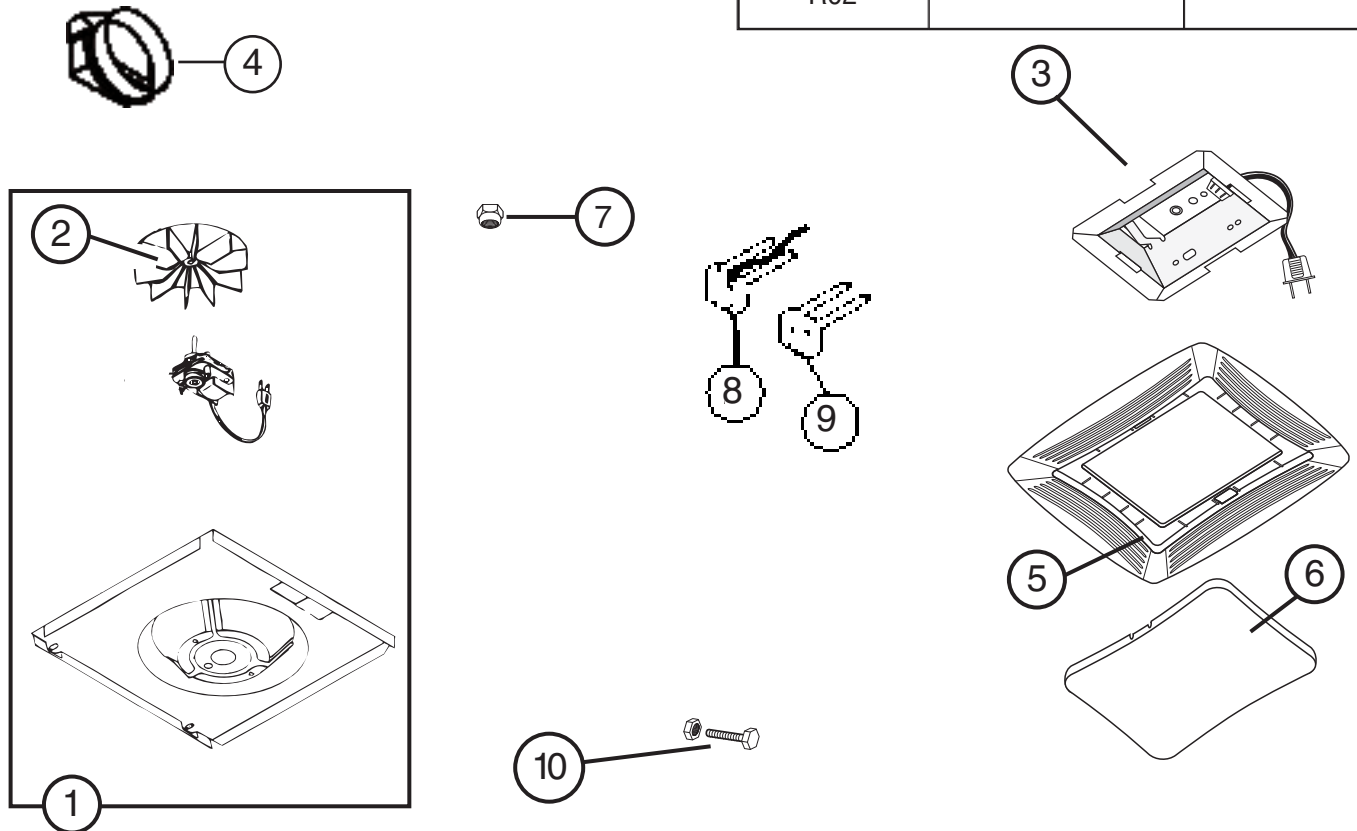
How to Obtain Warranty Service: To qualify for warranty service, you must (a) notify the Company at the address or telephone number stated below within seven (7) days of discovering the covered defect, (b) give the model number and part identification and (c) describe the nature of any defect in the Product or part. At the time of requesting warranty service, you must present evidence of the original purchase date. If you cannot provide a copy of the original written limited warranty, then the terms of the Company's most current written limited warranty for your particular product will control. The most current limited written warranties for the Company's products can be found at www.broan.com.

Broan-NuTone LLC 926 West State Street, Hartford, WI 53027 www.nutone.com 888-336-3948



PARTS LIST

EFFECTIVE DATE	MODEL NUMBER	PRODUCT GROUP
Rev. May 2013 R02	769RL	FAN



REF.	ORIGINAL PART NO.	PART DESCRIPTION	CURRENT REPLACEMENT PART NO.
1	0503B	POWER UNIT ASSEMBLY	0503B-000
	504B		0504B-000
2	89914	BLOWER WHEEL	99111002
	8739		82403-000
3	89765	REFLECTOR & LAMPHOLDER ASSY	1019B-000
4	30652	DUCT ADAPTER ASSEMBLY	101183-000
5	85316	GRILLE	99111380
6	89108	LENS	99111381
7	16133	ACORN NUT	99260575
8	61326	FAN RECEPTACLE	99271252
9	82304	LIGHT RECEPTACLE	99270981
10	1022B	STUD & NUT ASSY	1022B-000

↑

NOTE: Always order by current part number

NuTone®

Broan-NuTone LLC
Hartford, Wisconsin
www.nutone.com
888-336-3948

Product specifications subject to change without notice.
Printed in China., Part No. 101256000F