

## BEFORE YOU START:

Please read instructions completely prior to attempting installation. Damages to the awning during installation are not covered by the warranty. After reading, if you feel that you still need additional installation assistance, please contact a local contractor for professional installation.

TIME REQUIRED FOR INSTALLATION: 1-2 hours

NUMBER OF INSTALLERS REQUIRED: 2-3 depending on size

## Installation Notes regarding undesirable drop of the awning when extended

Wall construction may not be perpendicular to the ground. Use a level to check. The weight of the awning, especially when extended, will cause unforeseen force/drag/depression on certain wall materials and affect the drop/drag of the awning when extended. It is important to make adjustments at the time of bracket installation if you desire zero drop/drag of the front bar when the awning is extended. The following list of wall materials and steps necessary to correct drop/drag are provided:

- 1. Wood:** The awning weight will force the wood to bow/twist. Place enough (2-4) large washers between wall and bottom holes of the brackets to change the angle of the brackets in order to compensate for unwanted drop/drag of front bar when awning is extended.
- 2. Siding:** The awning weight will force siding material to compress/warp/twist as there is a gap between siding and structural supports in the wall. Place enough washers (2-4) between siding and bottom holes of the brackets to compensate for unwanted drop/drag of front bar when awning is extended.
- 3. Brick:** Bricks may be uneven. Place a board or flat surface across installation plane to determine whether brackets will be level. Place enough washers (2-4) between siding and bottom holes of the brackets to compensate for unwanted drop/drag of front bar when awning is extended.

### INCLUDED PARTS LIST:

Beauty-Mark Retractable Awning (arrives completely assembled with fabric canopy)  
2-6 Wall Mounting Brackets & Hardware – Depending on Size (see chart below)  
Rocker Arm or Crank Handle  
Remote Control (if motorized unit was purchased)  
Owner's Manual

- NO MOUNTING HARDWARE IS PROVIDED. DUE TO VARIOUS WALL TYPES WE DO NOT PROVIDE THE HARDWARE TO MOUNT THE WALL BRACKETS TO MOUNTING SURFACE.

Awnings Sizes and Brackets Quantity					
Width	Projection	Brackets	Width	Projection	Brackets
8'	7'	2	16'	10' (12' Optional)	4
10'	8'	2	18'	10' (12' Optional)	5
12'	10'	3	20'	10' (12' Optional)	5
14'	10' (12' Optional)	3	24'	10' (12' Optional)	6

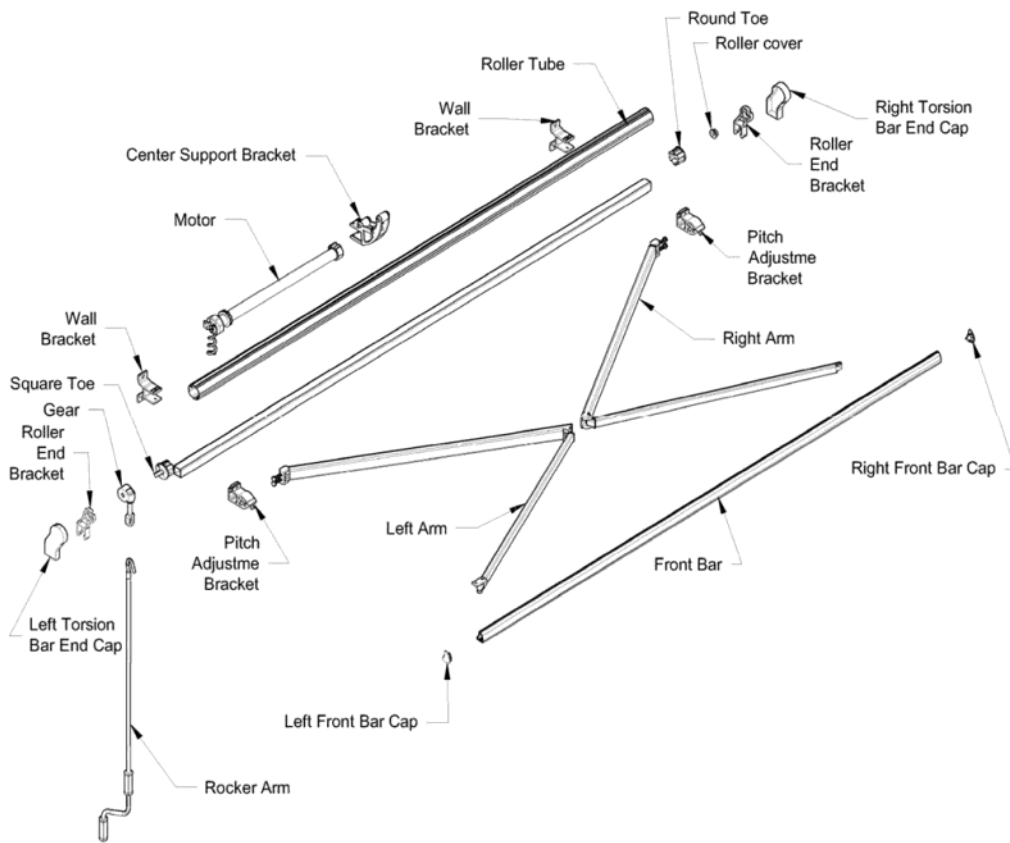
Projection measured from the wall to the front bar. Optional projection available for additional cost.

**REQUIRED ITEMS FOR INSTALLATION:**

- Drill
- Full wood/metal and masonry bit set (3/8 shank-1/2 bit for masonry applications)
- 2-3 16' extension ladders
- Stud Finder
- Full ratchet and socket set
- Screwdriver set
- String level
- Tape Measure
- Chalk line
- An assistant (two, if awning is more than 12' long)

**SEE THE FOLLOWING APPLICATIONS FOR SPECIFIC SIZE OF TOOLS AND HARDWARE REQUIREMENTS**

**NOTE:** There are many different building surfaces to mount your Beauty-Mark Retractable Awning. AWNTECH provides the most common of WALL MOUNTING BRACKETS in its standard packing. There are so many building surfaces; Awntech does not provide mounting bolts and hardware. Read carefully to determine whether you need another type of bracket and read the follow sheet to determine the types and sizes of screws, bolts, anchors, lumber and tubing you may need to purchase for your specific needs.



## TYPES OF MOUNTING BRACKETS

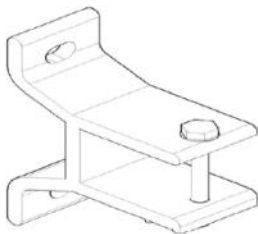
**Wall Mounting Brackets:** These are the most commonly used brackets. They are included with all awnings. This bracket is designed for any flat exterior wall mounting surface with a horizontal band at least 10" tall, at least 8'-0" from the eave to the surface of the patio. It can also be mounted on a fascia (with Guttering removed) Higher than 7'-0" and lower than 9'-6" from the patio to the bottom of the fascia.

<b>Wall Bracket Measurements:</b>		<b>Soffit Bracket Measurements:</b>		<b>Roof Bracket Measurements:</b>	
<b>Height</b>	5.5	<b>Height</b>	8	<b>Height</b>	9
<b>Width</b>	2.25	<b>Width</b>	1 7/8	<b>Width</b>	3
<b>Depth</b>	3	<b>Depth</b>	4 5/8	<b>Depth</b>	9
<b>Between the Holes</b>	3.75	<b>Between the Holes (top)</b>	2 3/4	<b>Between the Holes (top)</b>	2 3/8" 2 3/8"-1 1/4"
		<b>Between the Holes (Back)</b>	3	<b>(Front to Back)</b>	

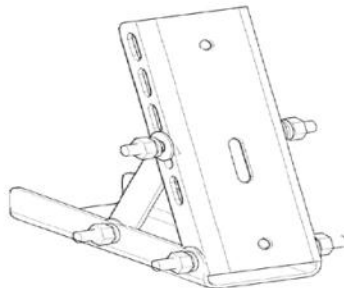
**Eave Mounting Brackets (optional):** This bracket is designed for any application where there is not a 10" tall horizontal vertical band to mount the awning to and there is an eave (or bottom of a beam) Higher than 7'-9" and lower than 10'-2" from the surface of the patio to the bottom of the eave. The eave (or bottom of the beam) must be at least 5" wide. It is also an effective tool if eaves are deep and you want to maximize the projection of your awning. NOTE: DO NOT PURCHASE SOFFIT BRACKETS WITH A DESTIN. It may be purchased by calling Awntech at 800-203-7049 or sending an email to [sales@awntech.com](mailto:sales@awntech.com).

**Roof Mounting Brackets (optional):** This bracket is designed for any application where the wall mounting and eave mounting brackets conditions are either not met or acceptable and a roof mounting application is desired. It is not designed for composition roofs on wafer board or plywood decking. (At this time, we have no solution for clay tile, slate, or cedar shake applications over lath.) NOTE: WE HIGHLY RECOMMEND THE PURCHASE OF A MOTOR FOR THIS APPLICATION. Awntech highly recommends that a professional roofing contractor to do the installation. It may be purchased by calling Awntech at 800-203-7049 or sending an email to [sales@awntech.com](mailto:sales@awntech.com).

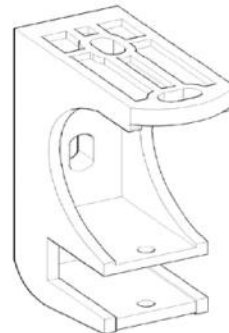
**Wall Bracket**



**Roof Bracket (optional)**

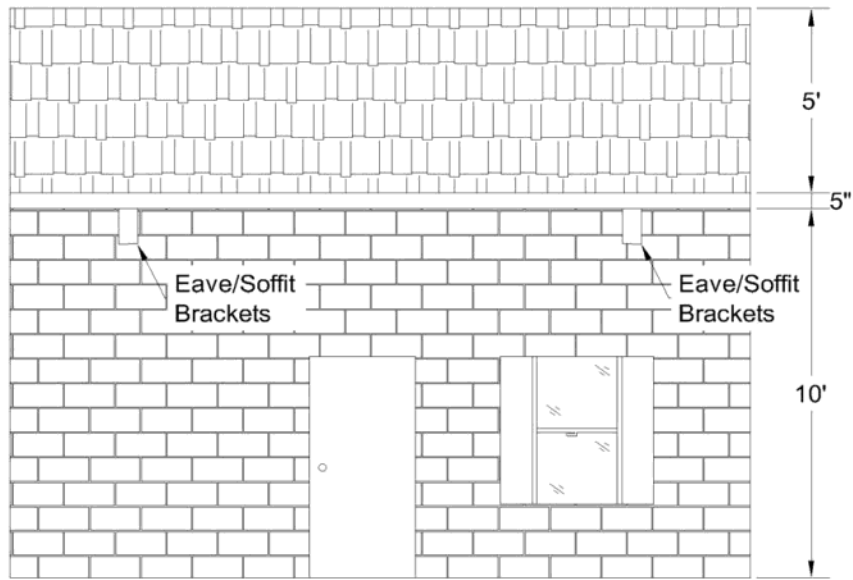


**Soffit/Eave Bracket (optional)**



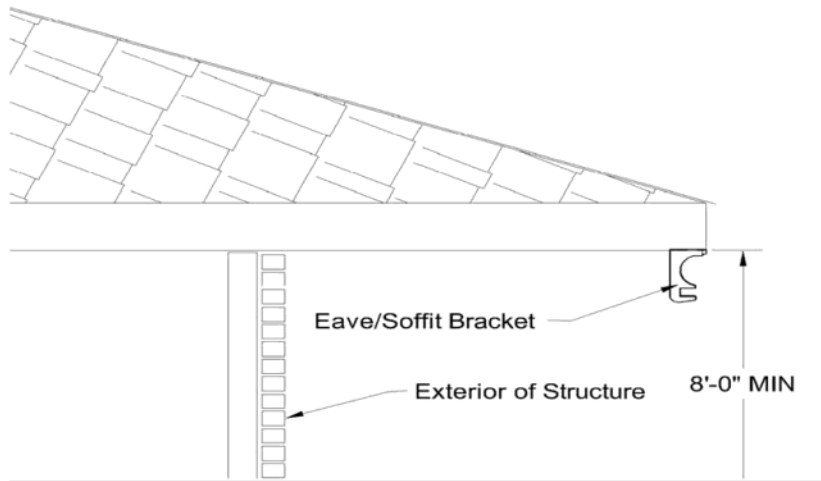


(B)



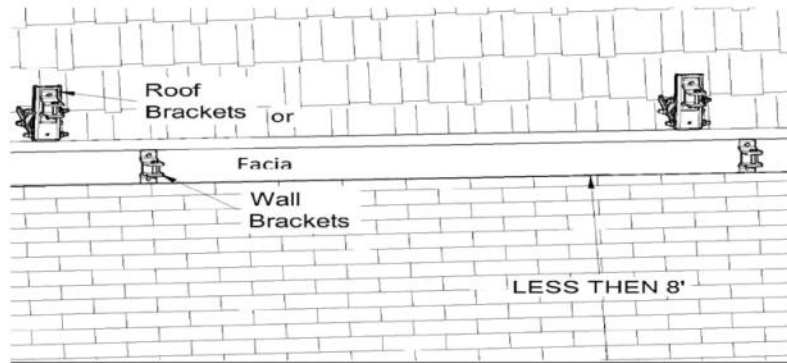
\*Typical Height and Material, Varies from Structure to Structure

(C)



\*Typical Height and Material, Varies from Structure to Structure

(D)



\*Typical Height and Material, Varies from Structure to Structure

THE FOLLOWING PAGES ARE INSTRUCTION FOR THE MOST COMMON INSTALLATION APPLICATIONS

### APPLICATION A – INSTALLING WALL MOUNTING BRACKETS TO FLAT SIDING, STUCCO, CEMENT OR CULTURED STONE (OF ANY TYPE):

Place a ladder safely on a flat, dry, stable surface at both ends of where the awning will be installed.

Using a Chalk-line and string level (or a laser level) mark a horizontal line at your chosen height above the patio.

Using a stud finder, Mark the center of all the studs along the line where the awning will be installed. Failure to center bolts in structural studs will cause premature failure and result in awning collapse and possible injury.

Mark both ends of where the awning will be installed on that line.

There should be one bracket within one feet of each end and or close to the lateral arm and then distribute the rest of the bracket(s) evenly spaced across the awning torsion bar. Choose and mark the best studs to install the brackets on given those requirements.

Cultured stone surfaces may require a grinder to flatten off the area where the brackets are to be installed.

Using the bracket as a template (the top of the bracket has a ridge on it), mark the holes. Place the bottom of the bracket on the chalk line. BRACKETS WILL BE THE LOWEST POINT OF THE AWNING.

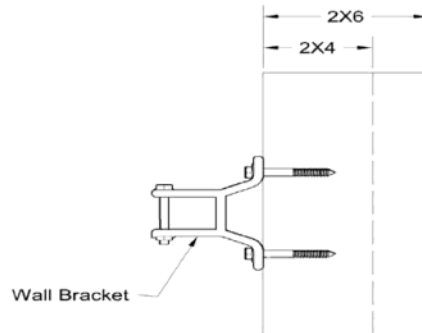
For Stucco or cultured stone: Use a 5/16" masonry bit to get through the surface. Drill a pilot hole into the stud beyond it with a 3/16" wood/metal bit. Using a ratchet, install (2) 5/16"x3" lag screw and (2) 5/16" washer to secure the bracket to the wall.

For Concrete surface: Use a 5/16" masonry bit to drill 3" deep holes into the surface. Insert (2) 5/16"x3" wedge anchors into the hole. Install a washer on each anchor. Place the bracket so the anchors come through the mounting holes. Install another washer and fully tighten the nuts.

For flat siding: the easiest way is to mount a 1"x5"-6" treated/painted timber beam (the same length as your awning width) through the siding into the studs using (2) 5/16"x3" lag screws and (2) 5/16" washers. Then you mount the awning to the studs through the timber beam. Or mount a 2"x5"-6" treated/painted timber beam (the same length as your awning width) through the siding into the studs.

Repeat the process for the remaining brackets.

Seal around each bracket with a clear paint-able silicone caulking.



## APPLICATION B – INSTALL WALL MOUNTING BRACKETS TO ALUMINUM, VINYL, HARDBOARD OR LAP SIDING.

Place a ladder safely on a flat, dry, stable surface at both ends of where the awning will be installed.

Using a chalk-line and string level (or a laser level) mark a horizontal line at your chosen height above the patio.

Using a stud finder, Mark the center of all the studs along the line where the awning will be installed. Failure to center bolts in structural studs will cause premature failure and result in awning collapse and possible injury.

Mark both ends of where the awning will be installed on the line.

There should be one bracket within one foot of each end or close to the lateral arms and then distributes the rest of the bracket(s) evenly spaced across the awning torsion bar. Choose and mark the best studs to install the brackets on given those requirements.

Using the bracket as a template, mark the holes. Place the bottom of the bracket on the chalk line.

For aluminum or vinyl: Mark a 5-1/2"X5-1/2" square (centered on the stud left to right and on the bracket vertically) where the bracket will be placed. Cut the siding with a sharp utility knife.

For all other siding: Mark a 5-1/2"X5-1/2" square (centered on the stud left to right and on the bracket vertically) where the bracket will be placed. Cut eh siding with a circular saw set at the depth of the siding.

Make the appropriate number of 5-1/2"X5-1/2" wood blocks made from a piece of 2X6 Lumber.

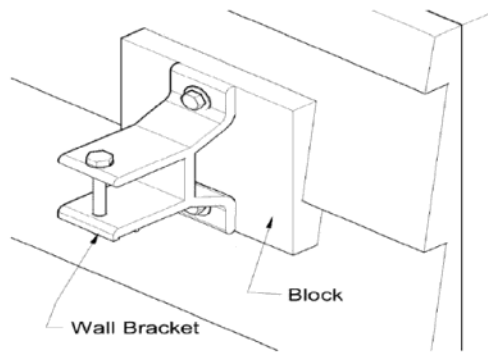
Using the brackets as a template (the top of the bracket has a ridge on it) drill (2)5/16" holes in the blocks. Sand the corners and pain and blocks to match your exterior paint color.

Drill a hole into the stud with a 3/16" wood/metal bit.

Using a ratchet, install (2) 5/16"X4-1/2" lag screws (9/16" socket) and (2) 5/16" washers to secure the bracket to the stud behind the block.

Seal around each block with clear paintable silicone caulking.

Repeat the process for the remaining brackets.



## APPLICATION C – INSTALLING WALL MOUNTING BRACKETS TO FACIA

**CAUTION:** BEFORE INSTALLING BRACKETS ON FASCIA ALL GUTTERING MUST BE REMOVED. AWNING CAN NOT BE INSTALLED ON THE FACIA IF THE FACIA BOARD IS LESS THAN 5" HIGH. TOP OF THE AWNING WILL STAY ABOVE THE ROOF LINE SINCE THE MOUNTING BRACKETS ARE THE LOWEST POINT OF THE AWNING.

Place a ladder safely on a flat, dry, stable surface at both ends of where the awning will be installed.

Using a chalk-line and string level (or a laser level) mark a horizontal line, one inch above the bottom edge of the fascia.

Using a stud finder, Mark the center of all the studs along the line where the awning will be installed. Failure to center bolts in structural studs will cause premature failure and result in awning collapse and possible injury.

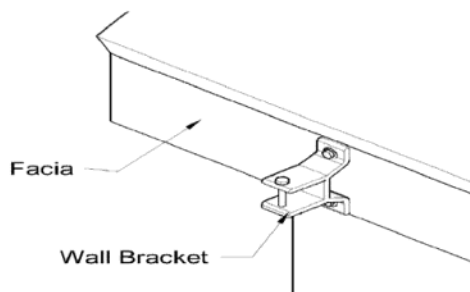
Mark both ends of where the awning will be installed on that line.

There should be one bracket within one foot of each end or close to the lateral arms and then distributes the rest of the bracket(s) evenly spaced across the awning torsion bar. Choose and mark the best studs to install the brackets on given those requirements.

Using the brackets as a template (The top for the bracket has a ridge on it), mark the holes. Place the bottom of the bracket on the chalk line.

Drill a pilot hole into the rafter with a 3/16" wood/Metal bit. Using a ratchet, install (2) 5/16"X5" lag screws (9/16" Socket and (2) 5/16" washers to secure the bracket to the fascia.

Repeat the process for the remaining brackets.





## APPLICATION D – INSTALLING WALL MOUNTING BRACKETS TO BRICK ON STONE

Place a ladder safely on a flat, dry, stable surface at both ends of where the awning will be installed.

Using a chalk-line and string level (or a lever level) mark a horizontal line, one inch above the bottom edge of the fascia.

Using a chalk-line and string level (or a laser level) mark a horizontal line, one inch above the bottom edge of the fascia.

Using a stud finder, Mark the center of all the studs along the line where the awning will be installed. Failure to center bolts in structural studs will cause premature failure and result in awning collapse and possible injury.

There should be one bracket within one foot of each end or close to the lateral arms and then distributes the rest of the bracket(s) evenly spaced across the awning torsion bar. Choose and mark the best studs to install the brackets on given those requirements.

For stone: it may be necessary to use a grinder to flatten the area where the brackets are to be placed.

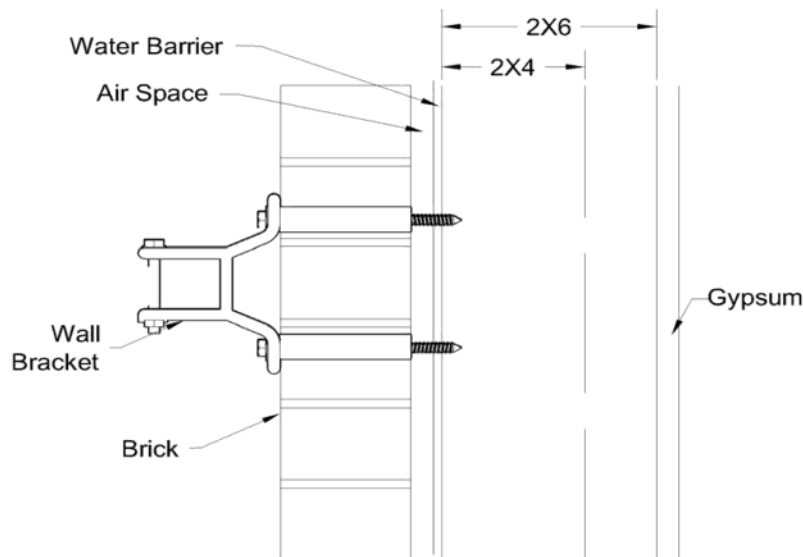
Use the brackets as a template (the top of the bracket has a ridge on it), mark the hole. Place the bottom of the bracket on the chalk line.

Use a 1/2" masonry bit to go through the brick or stone.

Install (2) 1/2"x5-1/2" aluminum tubing into the holes (these can be purchased at your local home center as 3'-section of 1/2" aluminum tubing. Use a hack saw to cut it into 5-1/2" sections.) Using a ratchet, install (2) 3/8"x8" lag screws (1/2" socket) and (4) 3/8" washer (one washer on the front and back of the bracket, per screw) to secure the bracket to the wall.

Repeat the process for the remaining brackets.

IF YOU KNOW THE BRICK AND THE MORTAR OF YOUR HOME/BUILDING IS STRONG AND CAN HANDLE THE LOAD OF THE AWNING WITHOUT INSTALLING THE BRACKETS TO THE STUDS THEN YOU MAY DO THE FOLLOWING (AWNTECH DOES NOT TAKE ANY RESPONSIBILITY FOR ANY DAMAGES TO THE PROPERTY AND ANY INJURIES TO THE PEOPLE IF THE AWNING IS PULLED OFF FROM THE WALL) For brick surfaces: use a 5/16" masonry bit to drill 3" deep holes into the surface. Insert two 5/16" x3" wedge anchors into the hole. Install a washer on each anchor. Place the bracket so the anchors come through the mounting holes. Install another washer and fully tighten the nuts.



## APPLICATION E – Installing wall mounting brackets to metal buildings

Place a ladder safely on a flat, dry, stable surface at both ends of where the awning will be installed.

Using a chalk-line and string level (or a laser level) mark a horizontal line, with the exterior wall surface at least 6" from the wall.

Mark both ends of where the awning will be installed on the line.

Identify the location of the structural supports. Typically surface screws make them easy to locate.

The structural supports are typically vertical, so you will need to mount a piece of 2X6 treated lumber (4" longer than the awning) onto the surface. The bottom corner of the lumber should be on the chalk-line. Mount it temporarily with 3" Self-Tapping sheet metal screws. Mount another 2X6 (same length) one on the inside of the metal, again with 3" self-tapping sheet metal screws.

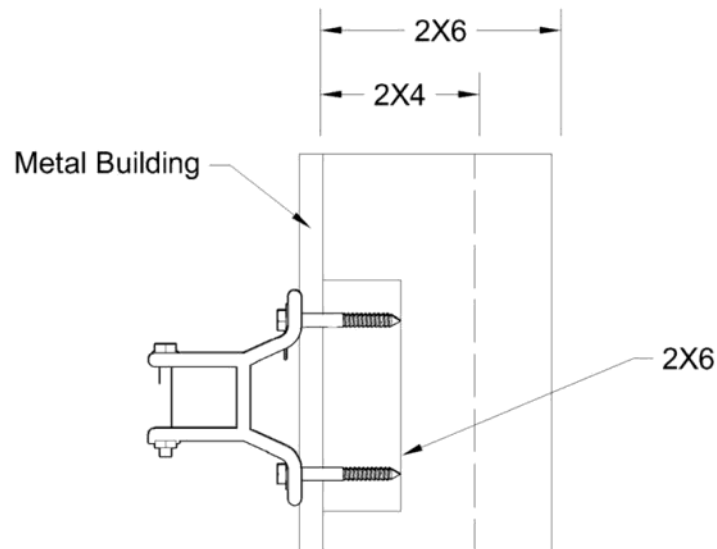
There should be one bracket within one feet of each end or close to the lateral arms and there should be one bracket within one feet of each end or close to the lateral arms and then distributes the rest of the bracket(s) evenly spaced across the awning torsion bar. Use the chalk-line to mark another line on the 2x6 lumber, 1" up from the bottom ends, using the bracket as a template, mark the holes, place the bottom of the bracket on the chalk line.

Drill holes through the front board with a 5/16" wood/metal bit.

Use a ratchet, install (2) 5/16"x5" lag screws (9/16" socket and (2) 5/16" washers to secure the bracket through the front board and into the back board.

Repeat the process for the remaining brackets.

Seal the top of the board where it meets the metal siding with clear paint-able silicone.



## APPLICATION F – INSTALLING WALL MOUNTING BRACKETS TO CONCRETE BLOCK WALLS:

Place a ladder safely on a flat, dry, stable surface at both ends of where the awning will be installed.

Using a chalk-line and string level (or a laser level) mark a horizontal line, with the exterior wall surface at least 6" from the wall.

Mark both ends of where the awning will be installed on the line.

You must have access to the back side of the block. (It cannot be a finished surface).

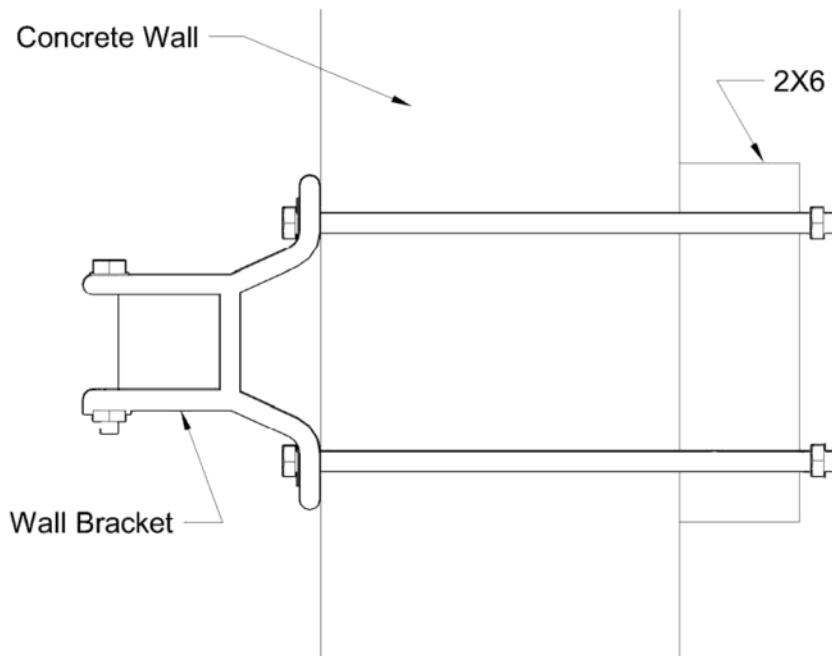
Purchase on place of 2X6 lumber the length of your awning. You will also need (2)5/16"X24" all-thread, (4) 5/16" washer and (2)5/16" nuts for each bracket. You will need a drill a 12" long 5/16" masonry bit and a 5/16" wood bit.

There should be one bracket within one feet of each end or close to the lateral arms and then distributes the rest of the bracket(s) evenly spaced across the awning torsion bar. Use the Chalk-line to mark another line on the 2x6 lumber, 1" up from the bottom edge. Using the bracket as a template, mark the holes. Place the bottom of the bracket on the chalk line.

Drill holes with the masonry bit into the block in the marked location. Drill all the way through.

Use the holes as a template to drill holes through the 2x6 that will be mounted on the back side. Insert the all-thread, install the washer and nuts and secure them with a ratchet.

Repeat the process for the remaining brackets.



## APPLICATION G – INSTALLING EAVE MOUNTING BRACKET TO EAVE OR BOTTOM OF BEAM

(EAVE BRACKETS MUST BE PURCHASED SEPARATELY)

Place a ladder safely on a flat, dry, stable surface at both ends of where the awning will be installed.

Using a chalk-line and string level (or a laser level) mark a horizontal line, with the exterior wall surface at least 6" from the wall.

Using a stud finder, mark the center of all boards that the eaves are secured to along the line where the awning will be installed. Failure to center bolts in structural studs will cause premature failure and result in awning collapse and possible injury.

Mark both ends of where the awning will be installed on that line.

There should be one bracket within one foot or each end or close to the lateral arms and then the rest of the bracket(s) evenly spaced across the awning torsion bar. Choose and mark the best studs to install the brackets on given those requirements.

Using the bracket as a template, mark the holes. Place the front of the bracket on the chalk line.

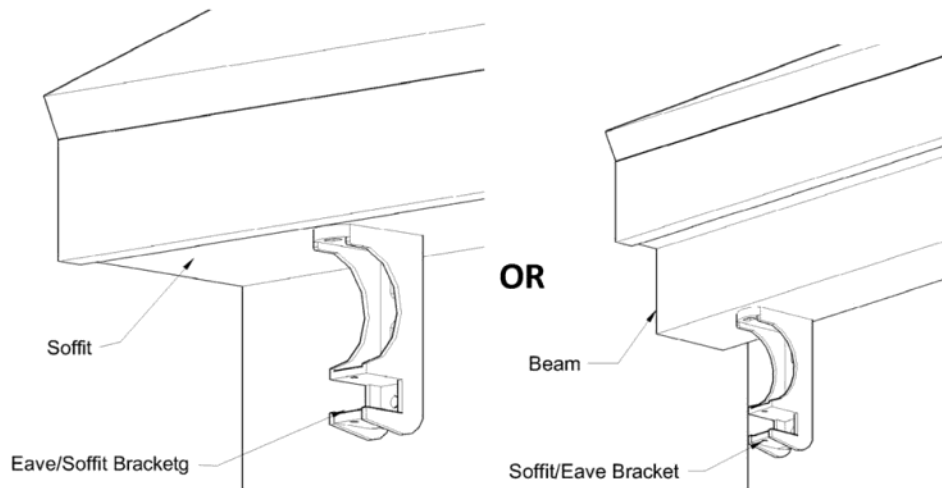
Drill a pilot hole into the board with a 3/16" wood/Metal bit.

Using a ratchet and 9/16" socket, install (2) 5/16"x3" lag screws and (2)5/16" washer to secure the bracket into the boards.

Repeat the process for the remaining brackets.

**MOUNTING SAVE BRACKET TO A BEAM SOFFIT/EAVE**

**MOUNTING EAVE BRACKET TO**



## **APPLICATION H – INSTALLATION ROOF MOUNTING BRACKET TO ROOF:**

(ROOF BRACKETS MUST BE PURCHASED SEPARATELY)

WE HIGHLY REQUIRE THAT YOU HIRE A PROFESSIONAL ROOFING CONTRACTOR TO INSTALL THE ROOF MOUNT BRACKETS AND AWNING. IMPROPER INSTALLATION CAN CAUSE INJURY TO THE INSTALLER AND DAMAGER THE PROPERTY.

Place a ladder safely on a flat, dry, stable surface at both ends of where the awning will be installed.

Using a stud finder, mark the center of all boards that the eaves are secured to along the line where the awning will be installed. Failure to center bolts in structural studs will cause premature failure and result in awning collapse and possible injury.

Mark both ends of where the awning will be installed on that line.

There should be one bracket within one foot of each end or close to the lateral arms and then the rest of the bracket(s) evenly spaced across the awning torsion bar. Choose and mark the best rafters to install the brackets into given those requirements.

Purchase one piece of galvanized flashing 12" W X 24" D and (3) 5/16" rubber washers per bracket. Using the bottom holes in the base bracket (A) as a template, mark and cut 5/16" holes along the centerline of the flashing, 6" from each side. Install the rubber washer between the bracket and the flashing.

Using stiff putty knife pry the shingles apart 24" (about 24" wide) back from the edge of the roof.

Slip the back of the flashing at least 8" under the shingles. Center the holes and rubber washers over the selected rafters.

Install wall brackets securely on the face of brackets (B) with the nuts, washer and bolts provided.

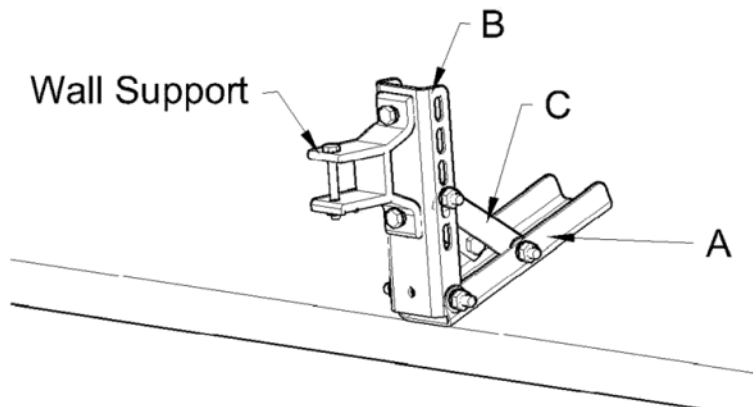
Insert a 5/16" X 1" hex bolt into the bottom holes of brackets (A) and (B). Install lock washers and nuts loosely.

Using a ratchet and 9/16" socket, install 5/16" X 1" hex bolts, lock washers and nuts to secure the support arms (C) to the inside edges of bracket A.

Using a level, install the support arm to bracket B through the holes that most closely set bracket B vertical.

Tighten all nuts and bolts securely.

Seal the shingles back together with quality roofing sealer.



## INSTALLING THE AWNING ONTO THE BRACKETS

Place a ladder safely on a flat, dry, stable surface at both ends of where the awning will be installed.

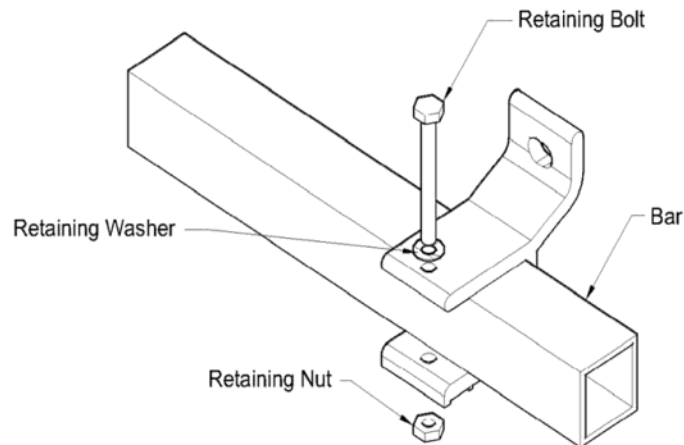
For the DESTIN® only: Assemble the hood and secure the mounting bracket to the back or the back bar of the awning (see Diagram on Page \_\_ for installation instructions)

Assure that the awning is in the closed position and the arms are tied closed. This will prevent the unit from inadvertently opening while being lifted into the brackets.

With the help of an assistant (or two if your awning is more than 12' long), lift the awning to the brackets and slip the torsion bar (back bar) into the brackets. Make sure the torsion bar slides all the way to the back of the bracket. Then slide the retaining bolts into the brackets. Center the unit as needed then tighten the nuts on the remaining bolts.

If the torsion bar does not easily slip into the brackets, Make sure all the brackets are horizontally aligned.

Once fully secure, retighten the nuts on the brackets and carefully cut the sip ties off the arms.



## **ADJUSTING THE PITCH OF THE AWNING**

**CAUTION: DO NOT ATTEMPT TO ADJUST THE PITCH IN THE RETRACTED POSITON.**

Extend the awning completely.

First identify the pitch adjustment brackets (K) (see diagram below)

Loosen the top bolt (P) and bottom bolt (R) (does not remove them, just allow them to be moved on the bracket at both ends. This operation requires a 20mm or 3/4 socket/wrench.

Have your helper(s) hold the front end of the awning.

Turn the bolt (Q) counter-clock-wise to lower the pitch and clockwise to raise the pitch on both ends.

Once you adjust the pitch to your desired level, tighten up the top bolt (P) and bottom bolt (R)

If the front bar is lower on one side, simply loosen (P) on the opposite side bracket and make the appropriate adjustment to (Q). After you are happy with the results retighten (P).

The pitch adjustment range is 0 Degrees to 15 Degrees.

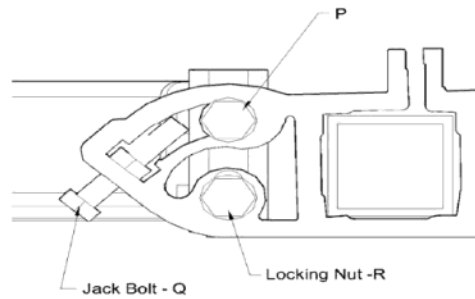
In order to get zero degrees pitch you must make sure of the following:

Wall surface must be flat and at an exact 90 degree angle.

Make sure the brackets are flush against the wall.

If you still feel that you cannot get zero degree pitch then the brackets must be leaving forward slightly. You can put a washer or two between the mounting surface and lower hole of the bracket to raise the bracket so you can get a zero degree pitch.

Pitch adjustment bracket



## REMOTE CONTROL MODEL – DC90 FOR AT45MR

The Awntech tubular motor operates at a maximum distance of 150 Feet.

### Technical Specification:

- |                    |                               |
|--------------------|-------------------------------|
| ▪ Power Supply     | ▪ 12V Battery                 |
| ▪ Protection index | ▪ IP30                        |
| ▪ Working temp.    | ▪ 23 degree F to 160 degree F |

Beauty-Mark® motorized awnings are programmed to extend and retract fully. This motor has manual over-ride option available. In case of power failure you can retract or extend the awning by using the rocker handle.

Replacement:

To Change the batter, open the back panel of the remote control and replace the battery.

Trouble Shooting:

If the LED light on the remote control is off:

Check the battery

If the LED light is red on the remote control and the motor does not function:

Check the power supply to the motor

Check the cable connections

The motor has an internal temperature control and shuts off the motor. Wait (20) twenty minutes and try to operate.

If you have any questions. Contact our technical support team at 800-203-7049 M-F (9-5 CST)

## **Programming the remote control**

To program the Remote Control (transmitter)

Turn off the power source of the awning

Turn on the power source. Within six seconds, press the "Program" (P2) button twice (located in the battery compartment of the remote) then press the "UP" Button once.

To change the direction

Turn off the power source of the awning



Turn on the power source. Within six seconds, press the "Program" (P2) button twice (located in the battery compartment of the remote) and then press the "UP" Button once. If the direction did not change then do the following:

Turn off the power source of the awning

Turn on the power source. Within six seconds, press the "Program" (P2) button twice (located in the battery compartment of the remote) then press the "DOWN" Button once.

#### Add an additional Remote Control (transmitter)

Turn off the power source of the awning

Turn on the power source. Press the "Program" (P2) button two times on the existing remote. Within six seconds, press the "Program" (P2) button once on the additional remote control, then press "UP" button once on the additional transmitter.

## HOW TO ADJUST LIMIT CONTROLS ON YOUR MOTOR.

CAUTION: IMPROPER ADJUSTMENTS CAN CAUSE THE AWNING MOTOR TO BREAK.

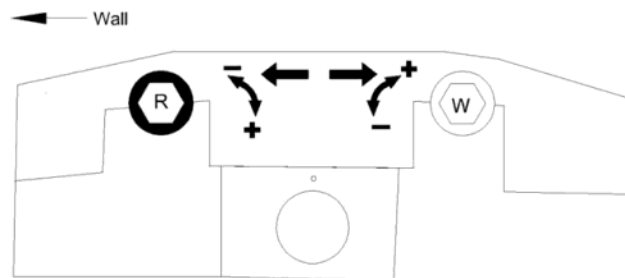
MOTOR Model: AT45MRLimit Adjustment Control Operation

VERY IMPORTANT:

YOU MUST ADJUST THE CONTROLS FROM THE BOTTOM OF THE MOTOR

The motor has internal temperature cutoff switch. If the motor gets to hot it will stop working, it will start working after 20 minutes or as soon as motor cools down. Do not worry, this motor has manual override option and you can always open or close the awning manually by using the crank handle.

This motor has a limit control switch to control the extension and retraction of your unit. The limit adjustments controls are in Red and White are located next to the electrical cord of the motor. In order to adjust the limit controls you would need to insert the tool looks like wand to turn the controls either "clock wise" or "counter clock wise"



## LIMIT CONTROLS (WHEN YOU LOOK UP)

### LEFT MOTOR MOUNT (when you face the house):

If the awning stops from closing completely:

1. Identify the **Red Limit Control** (close to the wall)
2. If the awning stops from retracting completely, then turn the control "COUNTER CLOCK WISE" direction (one turn at a time) until it retracts completely.

If the motor continues to turn even after the awning completely retracted then do the following:

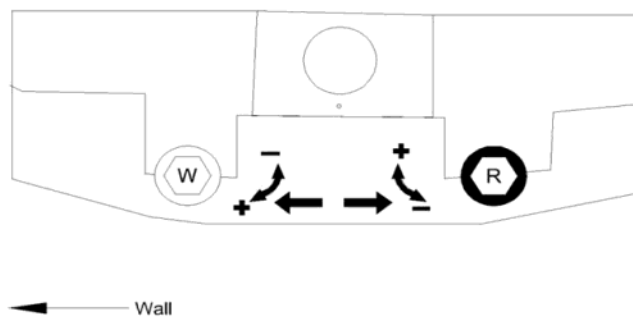
1. Identify the **Red Limit Control** (close to the wall)
2. Stop by pressing the stop button
3. Extend the awning about two feet and then
4. Then turn the control "CLOCK WISE" (three full turns) and then push the button to retract. If the awning still continue to retract more than repeat the steps until it is completely adjusted.

If the awning doesn't extend fully or to your desired extension then do the following:

1. Identify the **White Limit Control** (Away from the wall)
2. If the awning doesn't extend fully or to your desired extension, the turn the limit control "COUNTER CLOCK WISE" until it opens completely or it reaches till your desired extension.

If the awning continues to extend beyond your desired extension, then do the following:

1. Stop by pressing "STOP" button
2. Retract the awning by pressing "RETRACT" button for about two to three complete turns and press "STOP" to stop it from further retracting
3. Turn the **White Limit Control** "CLOCK WISE"
4. Press to extend, if it extends still too much then
5. **Repeat** the above steps until it reaches your desired extension



## LIMIT CONTROLS (WHEN YOU LOOK UP)

### **RIGHT MOTOR MOUNT (when you face the house):**

If the awning stops from closing completely:

1. Identify the **White Limit Control** (away from the wall)
2. If the awning stops from retracting completely, then turn the limit control "CLOCK WISE" direction (one turn at a time) unit it retracts completely.

If the motor continues to turn even after the awning completely retracted then do the following:

1. Identify the **White Limit Control** (away from the wall)
2. Stop by pressing the stop button
3. Extend the awning about two feet and then
4. Then turn the control "COUNTER CLOCK WISE" (three full turns) and turn push the button to retract if the awning still continues to retract more than repeat the steps until it is completely adjusted.

If the awning doesn't extend fully or to your desired extension then do the following:

1. Identify the **Red Limit Control** (close to the wall)
2. If the awning doesn't extend fully or to your desired extension, then turn the red limit control "CLOCK WISE" unit it opens completely or it reaches till your desired extension

If the awning continues to extend beyond your desired extension, then do the following:

1. Stop by pressing "STOP" button
2. Retract the awning by pressing "retract" button for about two to three complete turns and press "STOP" to stop it from further retracting
3. Turn the **RED Limit Control** "COUNTER CLOCK WISE"
4. Press to extend, if it extends still too much then
5. **Repeat** the above steps until it reaches your desired extension.

You can always use extend and retract manually by pressing the controls on your remote control.

### **REPLACING AWNING FABRIC**

If you have a motor, turn it off.

Manually crack the awning out to full projection

Remove the front bar end caps

Using the provided allen wrench, unloosen the bullets at each end of the front bar C channel.

Ask your helper to get on a step ladder about five feet from the wall on the non-motor/non-crack side of the awning.

On a ladder mildly push the front bar toward the wall. This will loosen the fabric.

Remove the fabric by pulling it straight out the C-channel on the non-crack/motor side of the awning. You should pull out the front and back simultaneously.

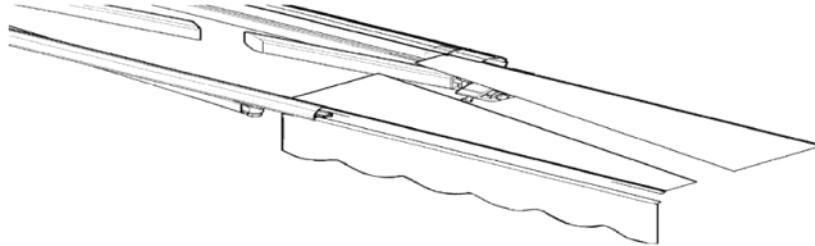
Install the new fabric by sliding the ends back into the C-channel from the same side. You may need to push the front bar slightly toward the wall while two helpers feed the beads into the c-channel. There is a slot in the end of the roller eye for it to slide into.

Reinstall both bullets and tighten the allen screw

Reinstall the front end caps

Retract the awning manually

Turn on the motor



## **REPLACING THE VALANCE**

Remove the right and left front end caps

Using the providing allen wrench, unloosen all the bullets at the ends of the fabric

Remove the bullets from the C-channel

Remove the valance by pulling on it from the right side

Reinstall the new valance by sliding the top bead into the same slots in the front bar

Reinstall both bullets and tighten the allen screws

Reinstall the right and left front end caps

## REPLACING PROJECTION ARMS

**CAUTION: DO NOT TRY TO REPAIR THE ARMS WITHOUT READING THE FOLLOWING THESE INSTRUCTIONS FIRST; FAILURE TO DO SO MAY CAUSE INJURY AND DAMAGES TO YOU AND YOUR PROPERTY AND THE AWNING.**

Please observe **CAUTION: HIGH TENSION PROJECTION ARMS** labels when replacing the lateral arms of your awning. These arms are located with high tension springs and can cause severe personal injury and property damage if extreme caution is not used. Follow the step-by-step instructions to change the arms of your retractable awning:

Close or retract the awning completely.

Tie each of the arms closed (in folded/retracted position). They should not be tied to either the front or back bar.

Once ALL arms are securely tied, you are ready to remove one arm. The arms are marked "left" or "Right" Determine left or right by facing the awning.

First, remove the nuts and bolts that secure the arm to the front bar.

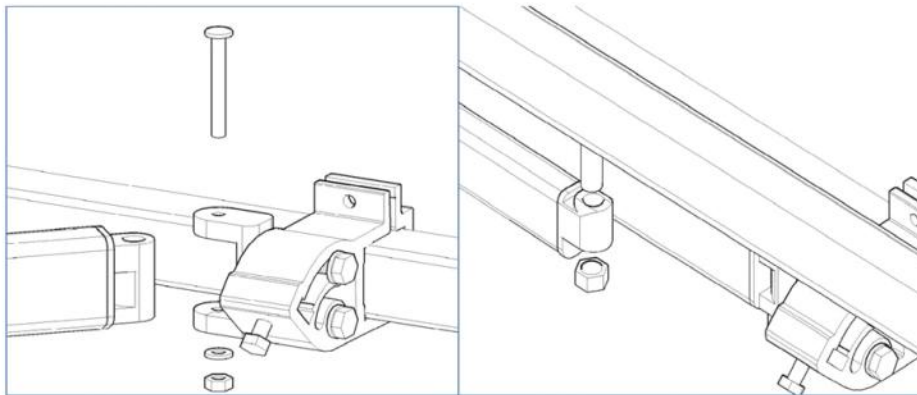
Then, remove the nuts and bolts that secure the arm to the back bar.

Remove the arms from the awning

Install the replacement arm by attaching it to the back bar first and then the front bar. Do not tighten the bolts, adjustment will be needed.

After you have replaced the arm, lift the hinge slide of the arm as high as it will go (this aligns the arms), Then tighten up all the nuts on the bolts (front and back bars) Connecting the arms to the awning frame. If you have more than one arm to replace, repeat sets for each arm.

It is very important that all bolts are full tightened before removing the ties. Be careful not to damage the awning when removing the ties. If you have question please contact Technical Support at 800-203-7049



**ALWAYS KEEP YOUR AWNING RETRACTED WHEN NOT IN USE, ALWAYS RETRACT YOUR AWNING DURING RAIN, ICE, SLEET, SNOW, HIGH WIND AND GUSTY CONDITIONS. FAILURE TO DO SO CAN DAMAGE YOUR AWNING. ANY DAMAGE RESULTING FROM FAILURE TO HEED THIS WARNING WILL NOT BE COVERED UNDER YOUR AWNTECH CONDITIONAL WARRANTY.**