

# WA45N3050AW

SAMSUNG

## Samsung Top-Load Washer

4.5 cu. ft. Capacity DOE



### Signature Features

#### 4.5 cu. ft. Capacity

- Fewer washes, less time in the laundry room, and more time for you.

#### VRT Plus™ Technology

- Reduces vibration 40% more than standard VRT™ for quiet washing.

#### Self Clean

- Keeps your laundry drum fresh and odor-free.
- Sends reminders to clean the tub every 40 wash cycles.

### Available Color



White



VRT Plus™ Technology



Self Clean

### Features

- 4.5 cu. ft. Capacity
- VRT Plus™ Technology
- Self Clean
- Diamond Drum Interior
- Soft-Close Lid
- 5 Temperature Settings
- 5 Water Level Settings
- 700 RPM Maximum Spin Speed
- 8 Preset Wash Cycles
- 3 Wash Options
- LED Indicators
- Door Lid: Solid

### Convenience

- Child Lock
- Dispenser Trays: Main Wash, Softener, Bleach

### Rating

IMEF = 1.57  
IWF = 6.50  
240 kWh/yr

# WA45N3050AW

# SAMSUNG

## Samsung Top-Load Washer

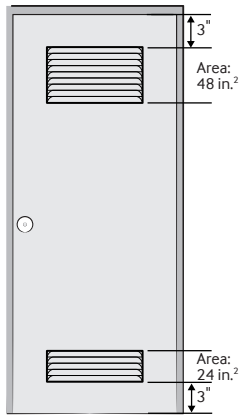
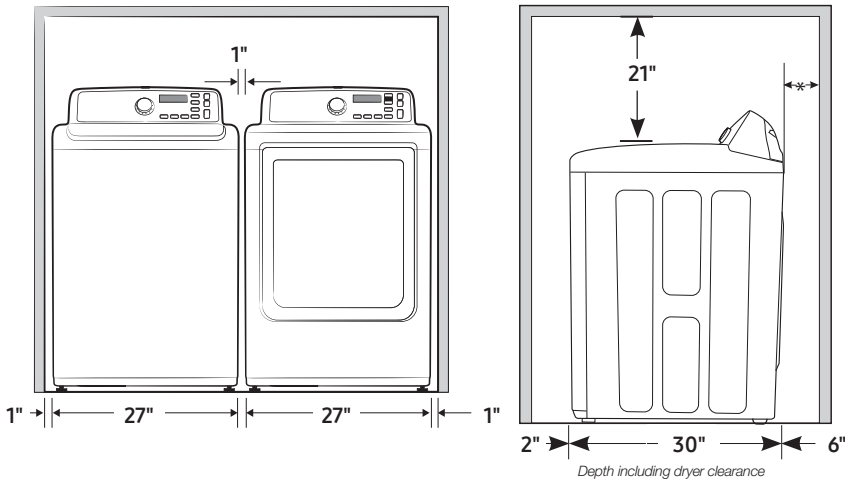
4.5 cu. ft. Capacity DOE

### Installation Specifications

Alcove or closet installation

Recessed Area

Side View Confined



#### Minimum clearances for closets and alcoves:

Sides – 1"  
Top – 21"  
Rear – 6"  
Closet Front – 2"

If the washer and dryer are installed together, the closet front must have at least a 72-inch<sup>2</sup> unobstructed air opening. Your washer alone does not require a specific air opening.

\*Required spacing (External exhaust elbow may require additional space.)

#### 8 Preset Wash Cycles:

Normal, Heavy Duty, Bedding/WaterProof, Delicates/Hand Wash, Quick Wash, Self Clean, Rinse and Spin, Deep Wash

#### 3 Options:

Extra Rinse, Child Lock, Spin Only

#### 5 Temperature Settings:

Hot, Warm, Eco Warm, Cool, Cold

#### 5 Water Level Settings:

Extra High, High, Medium, Low, Auto Level

#### Dispenser Trays:

Main Wash, Softener, Bleach

#### Warranty

One (1) Year Parts and Labor  
Three (3) Years Stainless Steel Tub (Part Only)  
Five (5) Years Washing Motor Part (Part Only)

#### Product Dimensions & Weight (WxHxD)

Dimensions: 27" x 44" x 29<sup>5</sup>/<sub>16</sub>"  
Weight: 125.7 lbs

#### Shipping Dimensions & Weight (WxHxD)

Dimensions: 29<sup>9</sup>/<sub>16</sub>" x 46<sup>1</sup>/<sub>2</sub>" x 31<sup>1</sup>/<sub>16</sub>"  
Weight: 136.7 lbs

Color	Model #	UPC Code
White	WA45N3050AW	887276275673

#### Matching Dryer (Electric/Gas)

White	DV40J3000EW	887276086958
White	DV40J3000GW	887276086972

### Dimensions

